

F
 D
 C
 B
 A

THIS INFORMATION IS CONFIDENTIAL AND PROPRIETARY TO GW INDUSTRIES, INCORPORATED AND ITS AFFILIATES. IT MAY NOT BE DISCLOSED TO ANYONE OTHER THAN GW INDUSTRIES PERSONNEL, WITHOUT WRITTEN AUTHORIZATION FROM GW INDUSTRIES INCORPORATED, SOUTHAMPTON, PENNSYLVANIA, USA.

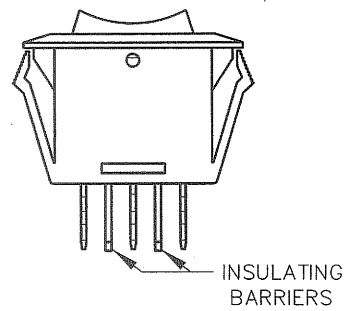
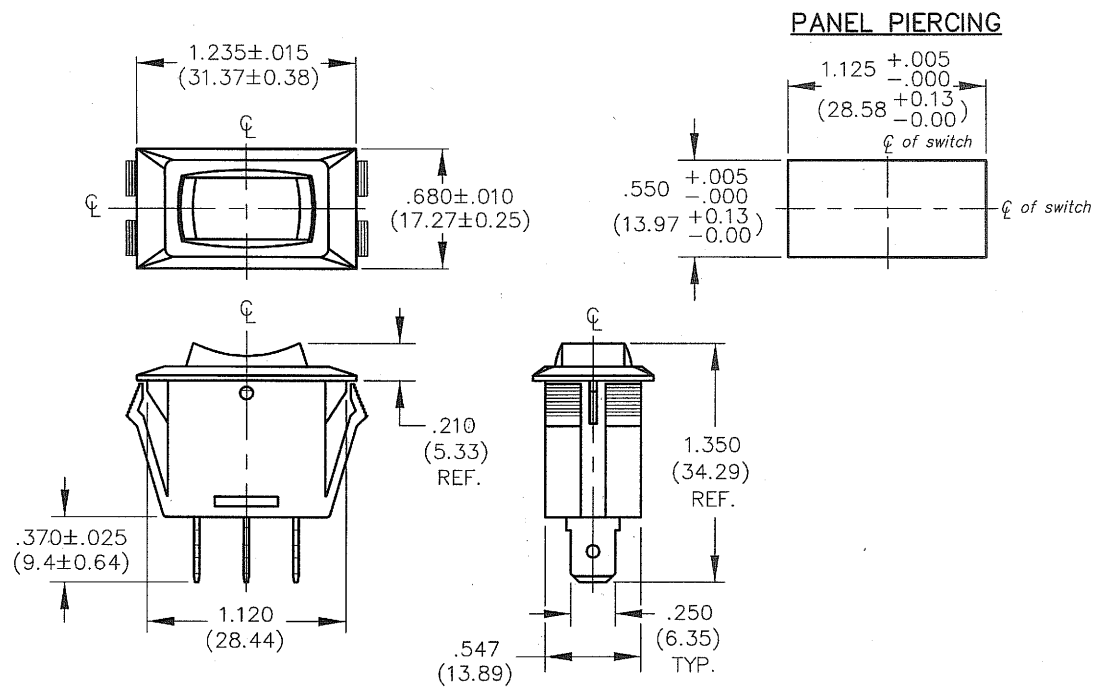
DIMENSIONS IN INCHES (MILLIMETERS)
DO NOT SCALE DRAWING

Dwg. No.
GRS-2013C-XXXX

PANEL THICKNESS

.025" to .180"
(0.64mm to 4.57mm)

OPTIONAL BARRIERS:



1	2	3	4	5	6	7	8	9	10
---	---	---	---	---	---	---	---	---	----

B-FORMAT 2002	REVISIONS	0	RELEASED: 08-28-2010 DGW	08-25-2010	
---------------	------------------	---	-----------------------------	------------	--

PDF FILE MADE	GW INDUSTRIES Southampton, Pa. 18966	Title: CENTER OFF ROCKER SWITCH WITH OPTIONS
	TOLERANCES UNLESS OTHERWISE SPECIFIED	S.P.D.T. (MOM-OFF-MOM)
	2 Place Decimal $\pm .010$ METRIC	1.125 x .550 PANEL
	3 Place Decimal $\pm .005$	1 Place Dec. $\pm .25$ mm
	Angles $\pm 1'$	2 Place Dec. $\pm .13$ mm
Made for: CW IND.	Division: SWITCH	
Drawn by: DGW 7-28-2010	Dwg. No.	
Checked by: <i>G. Guld 8-16-10</i>	GRS-2013C-XXXX	
Approval: <i>Edward H. ... 8-18-10</i>		

MASTER

X-ON Electronics

Largest Supplier of Electrical and Electronic Components

Click to view similar products for [Rocker Switches](#) category:

Click to view products by [CW Industries](#) manufacturer:

Other Similar products are found below :

[LTI LA6E-1S-WH-RC-FN12VXCR1](#) [6-1571986-9](#) [8007K26N324V52](#) [8055K32Z7V](#) [8055K52Z7V](#) [8138K20E6M50](#) [84206L](#) [84312LX](#)
[PREDD5-07F-BB0GW](#) [999-16716-002](#) [999-16716-003](#) [999-16716-004](#) [A101J1V3Q004](#) [A101J2ZQ004](#) [A101J4ZQ004](#) [A101J51CB0004](#)
[A103J1ZQ004](#) [A201J1AQ004](#) [A201J3ZB004](#) [A201J50ZQ004](#) [A203J51ZQ0004](#) [A435S1YZQ](#) [H8500XBBBBBL-A](#) [H8653VBBG2577W](#)
[HB130CHNWWNAAC](#) [R13112ABB-602W](#) [1251.0303](#) [AE205J60V3B004](#) [1352.0107](#) [1571099-3](#) [1571987-4](#) [1571987-5](#) [1571989-7](#)
[1571988-5](#) [B123J77V7B2](#) [B226J50W4Q22P](#) [B433J37ZQ22M](#) [160212E](#) [1634200-7](#) [1801.1164](#) [1839.1502](#) [PANEL-PLUG-VHP-BLACK](#)
[PANEL-PLUG-VHP-WT](#) [K1ABBSCADN](#) [KG312A2DXD246X](#) [250011E714](#) [2600HM11E](#) [2600R21E](#) [2637LH/2A7/122048L0](#)
[2639LH/2A7/127000L0](#)