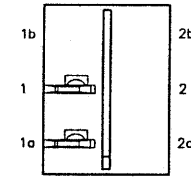
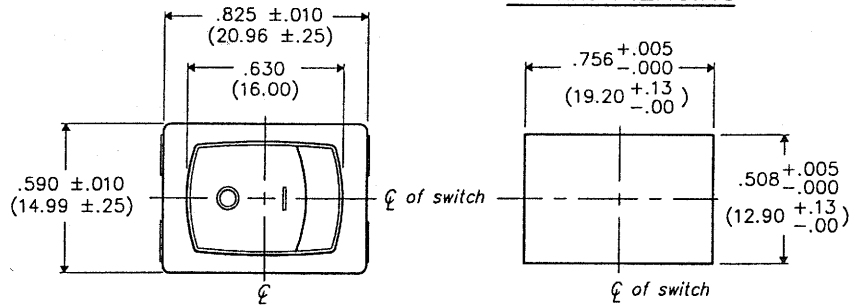


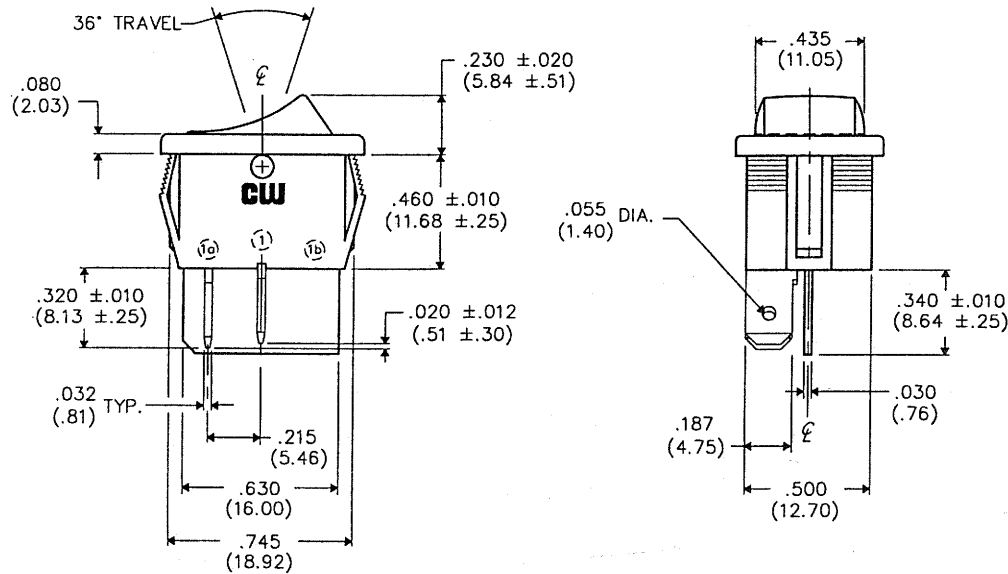
DIMENSIONS IN INCHES (MILLIMETERS)
DO NOT SCALE DRAWING

Dwg. No.
GRS-4011-0068

PANEL PIERCING



BOTTOM VIEW



FORM-B
REVISIONS
 0
 RELEASED
 DGW 5-01-95
 MAY 2 - 1995

PDF File Made

| | |
|--|---------------------------|
| CW INDUSTRIES Southampton, Pa. 18966 | |
| TOLERANCES UNLESS OTHERWISE SPECIFIED | |
| 2 Place decimal ± .010 | METRIC |
| 3 Place decimal ± .005 | 1 Place dec. ± .25mm |
| Angles ± 1' | 2 Place dec. ± .13mm |
| Made for: CW IND. | Division: SWITCH |
| Drawn by: DGW 5-01-95 | Dwg. No. GRS-4011-0068 |
| Checked by: G. GUL 5-2-95 | Approval: C. Hume 5/15/95 |

Title: **MINI SWITCH ASSEMBLY**
SNAP-IN, S.P.- S.T.
W/BARRIER

MASTER MASTER

X-ON Electronics

Largest Supplier of Electrical and Electronic Components

Click to view similar products for [Rocker Switches](#) category:

Click to view products by [CW Industries](#) manufacturer:

Other Similar products are found below :

[LTI LA6E-1S-WH-RC-FN12VXCR1](#) [6-1571986-9](#) [8007K26N324V52](#) [8055K32Z7V](#) [8055K52Z7V](#) [8138K20E6M50](#) [84206L](#) [84312LX](#)
[PREDD5-07F-BB0GW](#) [999-16716-002](#) [999-16716-003](#) [999-16716-004](#) [A101J1V3Q004](#) [A101J2ZQ004](#) [A101J4ZQ004](#) [A101J51CB0004](#)
[A103J1ZQ004](#) [A201J1AQ004](#) [A201J3ZB004](#) [A201J50ZQ004](#) [A203J51ZQ0004](#) [A435S1YZQ](#) [H8500XBBBBBL-A](#) [H8653VBBG2577W](#)
[HB130CHNWWNAAC](#) [R13112ABB-602W](#) [1251.0303](#) [AE205J60V3B004](#) [1352.0107](#) [1571099-3](#) [1571987-4](#) [1571987-5](#) [1571989-7](#)
[1571988-5](#) [B123J77V7B2](#) [B226J50W4Q22P](#) [B433J37ZQ22M](#) [160212E](#) [1634200-7](#) [1801.1164](#) [1839.1502](#) [PANEL-PLUG-VHP-BLACK](#)
[PANEL-PLUG-VHP-WT](#) [K1ABBSCADN](#) [KG312A2DXD246X](#) [250011E714](#) [2600HM11E](#) [2600R21E](#) [2637LH/2A7/122048L0](#)
[2639LH/2A7/127000L0](#)