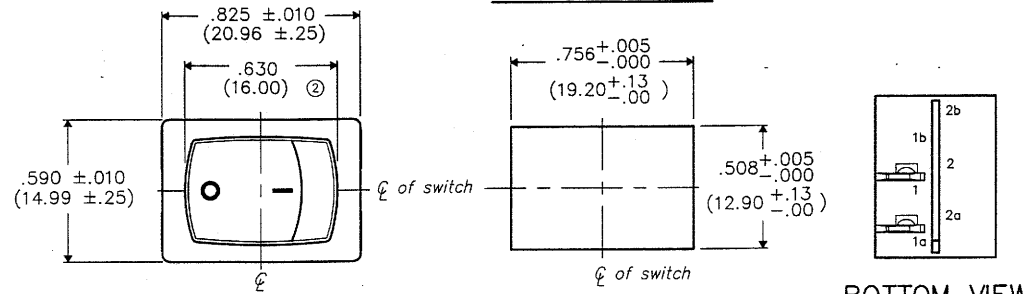


DIMENSIONS IN INCHES (MILLIMETERS)
DO NOT SCALE DRAWING

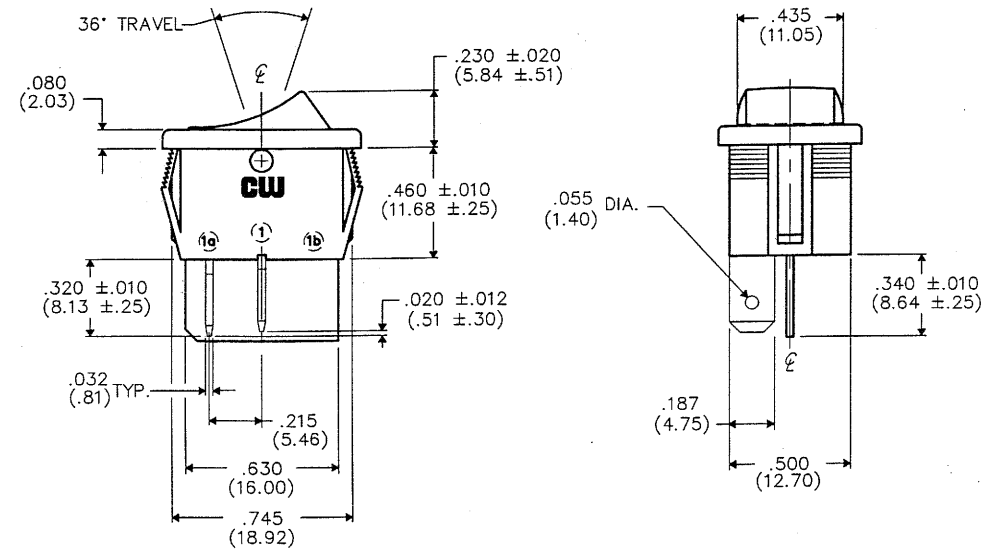
Dwg. No.

GRS-4011-0076

PANEL PIERCING



BOTTOM VIEW



MATERIAL:

- ROCKER KNOB- Nylon 94V-2
- HOUSING- Nylon 94V-2
- TERMINAL/STATIONARY/MOVING CONTACT- Copper alloy, and/or copper alloy silver plated.
- SPRING- music wire
- PLUNGER- plated steel

PERFORMANCE STANDARDS-

- Endurance- 100,000 cycles, no load, minimum
- 25,000 cycles at rated load minimum up to 16A 125 VAC
- 10,000 cycles at rated load minimum at 16A 250 VAC
- Contact Resistance- less than .01 Ohm at 10 mA (initial)
- Operating Temperature- 105° C maximum
- High Voltage Dielectric Withstanding Voltage- 2,500 V, 60 Hz for 1 minute between mounting surface and circuit connections

HUMIDITY- Insulation resistance > 10³ MOhms after 100 hours at 95% R.H. and 50° C followed by 1 hour dry at ambient room conditions

ELECTRICAL RATING-

- 16A 125-250VAC , 10A 14V (T)
- 3/4 H.P. 125-250VAC , 3A 125V (L)
- 10(4) 250 ~ μ

LISTING AGENCIES-



FORM-B4	REVISIONS	0	RELEASED. DGW 8-01-94 RBK 8-05-94
		1	REDRAWN. ADDED ALL SPEC. NOTES. DGW 6-13-2002 GG JUN 13 2002
		2	.630 WAS .640 IN TOP VIEW. DGW 9-05-2008 G.G. SEP 05 2008

CW INDUSTRIES
Southampton, Pa. 18966

TOLERANCES UNLESS OTHERWISE SPECIFIED

2 Place Decimal ±.010	METRIC
3 Place Decimal ±.005	1 Place Dec. ±.25mm
Angles ±1°	2 Place Dec. ±.13mm

Made for: CW IND.
Drawn by: DGW 8-01-94
Checked by: GG 8-03-94
Approval: RBK 8-04-94

Title:	ASSEMBLY ROCKER SWIDGET S.P.- S.T.
Division:	SWITCH
Dwg. No.	GRS-4011-0076

MASTER

X-ON Electronics

Largest Supplier of Electrical and Electronic Components

Click to view similar products for [Rocker Switches](#) category:

Click to view products by [CW Industries](#) manufacturer:

Other Similar products are found below :

[LTI LA6E-1S-WH-RC-FN12VXCR1](#) [6-1571986-9](#) [8007K26N324V52](#) [8055K32Z7V](#) [8055K52Z7V](#) [8138K20E6M50](#) [84206L](#) [84312LX](#)
[PREDD5-07F-BB0GW](#) [999-16716-002](#) [999-16716-003](#) [999-16716-004](#) [A101J1V3Q004](#) [A101J2ZQ004](#) [A101J4ZQ004](#) [A101J51CB0004](#)
[A103J1ZQ004](#) [A201J1AQ004](#) [A201J3ZB004](#) [A201J50ZQ004](#) [A203J51ZQ0004](#) [A435S1YZQ](#) [H8500XBBBBBL-A](#) [H8653VBBG2577W](#)
[HB130CHNWWNAAC](#) [R13112ABB-602W](#) [1251.0303](#) [AE205J60V3B004](#) [1352.0107](#) [1571099-3](#) [1571987-4](#) [1571987-5](#) [1571989-7](#)
[1571988-5](#) [B123J77V7B2](#) [B226J50W4Q22P](#) [B433J37ZQ22M](#) [160212E](#) [1634200-7](#) [1801.1164](#) [1839.1502](#) [PANEL-PLUG-VHP-BLACK](#)
[PANEL-PLUG-VHP-WT](#) [K1ABBSCADN](#) [KG312A2DXD246X](#) [250011E714](#) [2600HM11E](#) [2600R21E](#) [2637LH/2A7/122048L0](#)
[2639LH/2A7/127000L0](#)