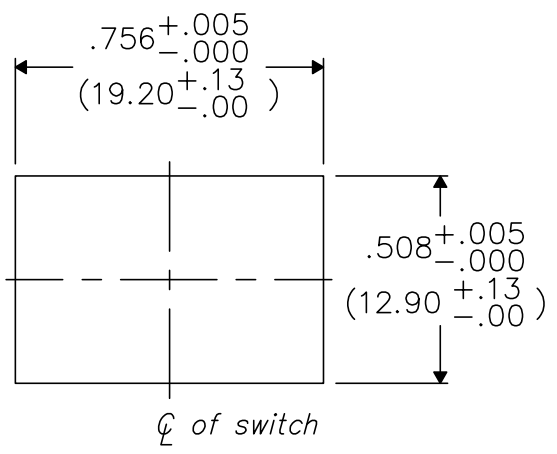
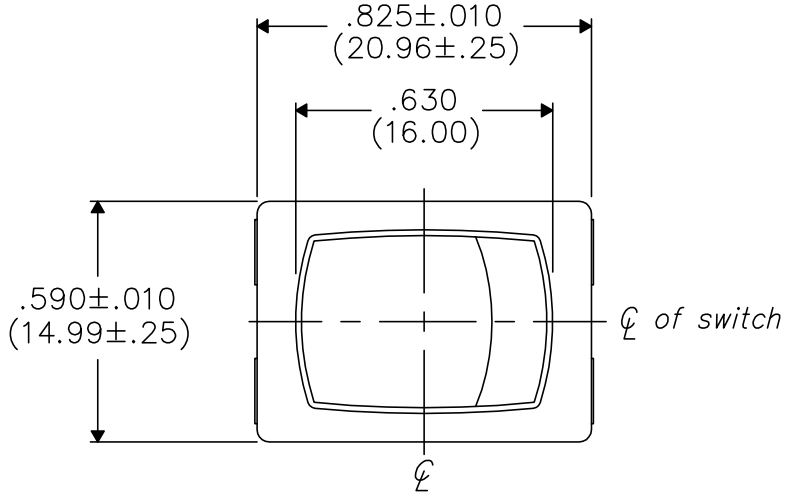


DIMENSIONS IN INCHES (MILLIMETERS)  
DO NOT SCALE DRAWING .....

Dwg. No.  
GRS-4011-1600

PANEL PIERCING






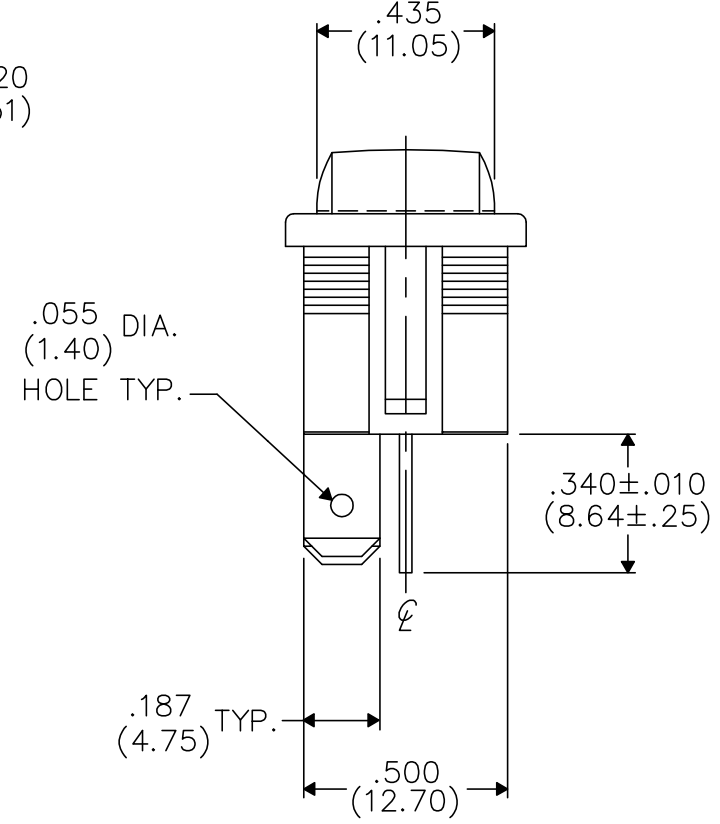
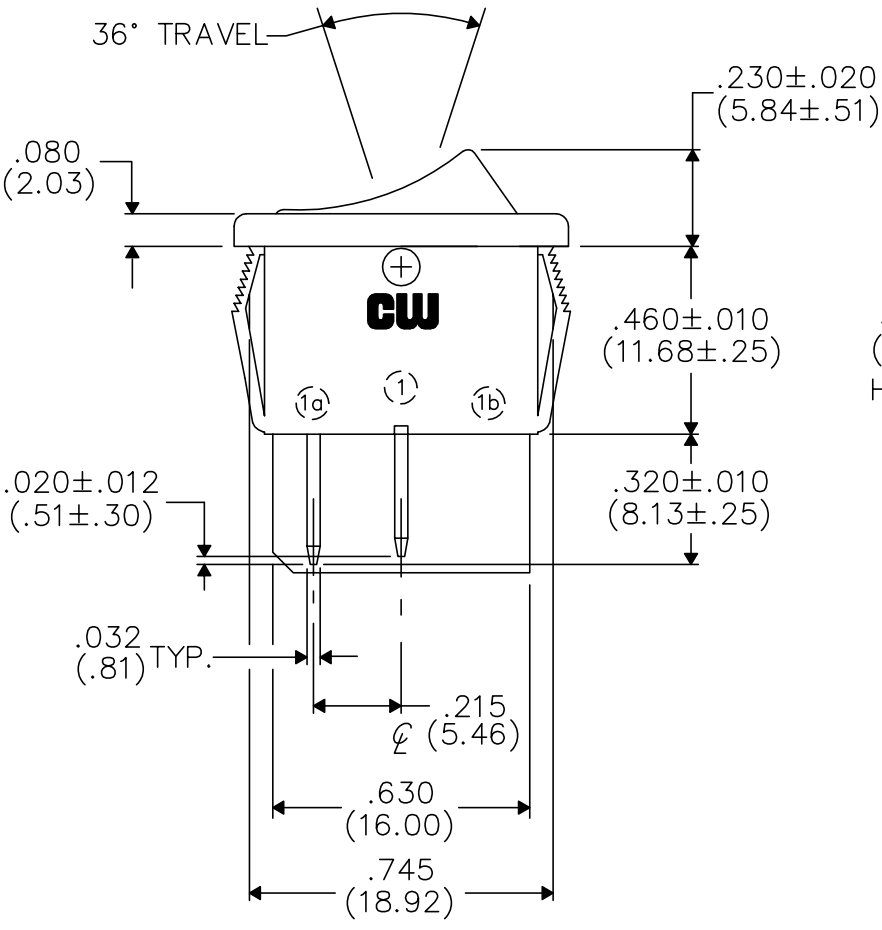
MATERIAL:  
ROCKER KNOB- Nylon 94V-2  
HOUSING- Nylon 94V-2  
TERMINAL/STATIONARY/MOVING CONTACT- Copper alloy, and/or copper alloy silver plated.  
SPRING- music wire  
PLUNGER- plated steel

PERFORMANCE STANDARDS-  
Endurance- 100,000 cycles, no load, minimum  
25,000 cycles at rated load minimum up to 16A 125 VAC  
10,000 cycles at rated load minimum at 16A 250 VAC  
Contact Resistance- less than .01 Ohm at 10 mA (initial)  
Operating Temperature- 105° C maximum  
High Voltage Dielectric Withstanding Voltage- 2,500 V, 60 Hz for 1 minute between mounting surface and circuit connections

HUMIDITY- Insulation resistance > 10<sup>3</sup> MOhms after 100 hours at 95% R.H. and 50° C followed by 1 hour dry at ambient room conditions

ELECTRICAL RATING-  
16A 125-250VAC , 10A 14V (T)  
3/4 H.P. 125-250VAC , 3A 125V (L)  
10(4) 250 ~ μ

LISTING AGENCIES-  ,  , 



|   |   |   |   |   |   |   |   |   |    |
|---|---|---|---|---|---|---|---|---|----|
| 1 | 2 | 3 | 4 | 5 | 6 | 7 | 8 | 9 | 10 |
|---|---|---|---|---|---|---|---|---|----|

|               |           |   |  |
|---------------|-----------|---|--|
| B-FORMAT 2002 | REVISIONS | 0   | 1  |
|               |           | RELEASED.<br>DGW 9-10-93<br>RBK SEP. 16, 1993 | REDRAWN. ADDED RADIUS<br>ON BOTTOM OF CLAW.<br>DGW 4-26-2005<br>CH APR. 26, 2005 |

|               |   |  |
|---------------|---|--|
| PDF FILE MADE | <b>CW INDUSTRIES</b><br>Southampton, Pa. 18966  | Title: ROCKER SWIDGET ASSEMBLY (POP-IN) S.P.-S.T.    |
|               | TOLERANCES UNLESS OTHERWISE SPECIFIED<br>2 Place Decimal ±.010<br>3 Place Decimal ±.005<br>Angles ..... ±1° | METRIC<br>1 Place Dec. ±.25mm<br>2 Place Dec. ±.13mm |
|               | Made for: CW IND.   | Division: SWITCH                                     |
|               | Drawn by: DGW 9-10-93   | Dwg. No. GRS-4011-1600                               |
|               | Checked by: CH 4/26/05  |  |
|               | Approval: BF 4/26/5   |  |

## X-ON Electronics

Largest Supplier of Electrical and Electronic Components

*Click to view similar products for [Rocker Switches](#) category:*

*Click to view products by [CW Industries](#) manufacturer:*

Other Similar products are found below :

[LTI LA6E-1S-WH-RC-FN12VXCR1](#) [6-1571986-9](#) [8007K26N324V52](#) [8055K32Z7V](#) [8055K52Z7V](#) [8138K20E6M50](#) [84206L](#) [84312LX](#)  
[PREDD5-07F-BB0GW](#) [999-16716-002](#) [999-16716-003](#) [999-16716-004](#) [A101J1V3Q004](#) [A101J2ZQ004](#) [A101J4ZQ004](#) [A101J51CB0004](#)  
[A103J1ZQ004](#) [A201J1AQ004](#) [A201J3ZB004](#) [A201J50ZQ004](#) [A203J51ZQ0004](#) [A435S1YZQ](#) [H8500XBBBBBL-A](#) [H8653VBBG2577W](#)  
[HB130CHNWWNAAC](#) [R13112ABB-602W](#) [1251.0303](#) [AE205J60V3B004](#) [1352.0107](#) [1571099-3](#) [1571987-4](#) [1571987-5](#) [1571989-7](#)  
[1571988-5](#) [B123J77V7B2](#) [B226J50W4Q22P](#) [B433J37ZQ22M](#) [160212E](#) [1634200-7](#) [1801.1164](#) [1839.1502](#) [PANEL-PLUG-VHP-BLACK](#)  
[PANEL-PLUG-VHP-WT](#) [K1ABBSCADN](#) [KG312A2DXD246X](#) [250011E714](#) [2600HM11E](#) [2600R21E](#) [2637LH/2A7/122048L0](#)  
[2639LH/2A7/127000L0](#)