

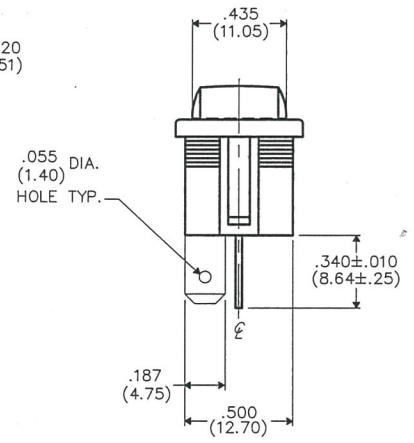
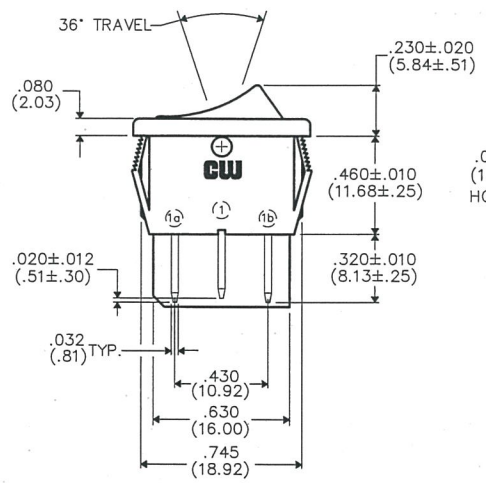
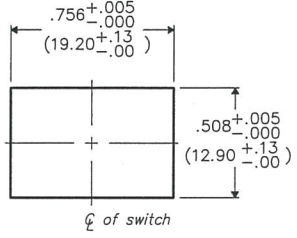
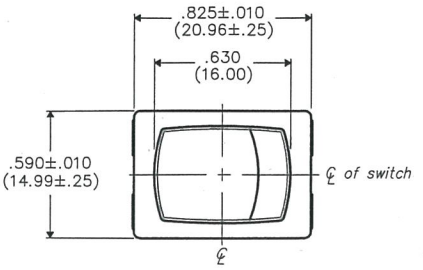
THIS INFORMATION IS CONFIDENTIAL AND PROPRIETARY TO CW INDUSTRIES INCORPORATED AND ITS AFFILIATES. IT MAY NOT BE DISCLOSED TO ANYONE OTHER THAN CW INDUSTRIES PERSONNEL, WITHOUT WRITTEN AUTHORIZATION FROM CW INDUSTRIES INCORPORATED, SOUTHAMPTON, PENNSYLVANIA USA.

E  
D  
C  
B  
A

DIMENSIONS IN INCHES (MILLIMETERS)  
DO NOT SCALE DRAWING .....

Dwg. No.  
**GRS-4012-0000**

**PANEL PIERCING**



**MATERIAL:**  
 ROCKER KNOB- Nylon 94V-2  
 HOUSING- Nylon 94V-2  
 TERMINAL/STATIONARY/MOVING CONTACT- Copper alloy,  
 SPRING- music wire  
 PLUNGER- plated steel

**PERFORMANCE STANDARDS-**  
 Endurance- 100,000 cycles, no load, minimum  
 25,000 cycles at rated load minimum up to 16A  
 125 VAC  
 10,000 cycles at rated load minimum at 16A  
 250 VAC  
 Contact Resistance- less than .01 Ohm at 10 mA (initial)  
 Operating Temperature- 105° C maximum  
 High Voltage Dielectric Withstanding Voltage- 2,500 V,  
 60 Hz for 1 minute between mounting  
 surface and circuit connections

**HUMIDITY-** Insulation resistance > 10<sup>3</sup> MOhms after 100 hours  
 at 95% R.H. and 50° C followed by 1 hour dry  
 at ambient room conditions

**ELECTRICAL RATING-**  
 13A 125VAC 10A 250VAC  
 1/2 H.P. 125-250VAC  
 5A 14V(T)

**LISTING AGENCIES-**

1      2      3      4      5      6      7      8      9      10

B-FORMAT 2002

REVISIONS  
 O  
 RELEASED: DGW 8-06-2014  
 AUG 06 2014

**cw INDUSTRIES**  
 Southampton, Pa. 18966

**TOLERANCES UNLESS OTHERWISE SPECIFIED**

2 Place Decimal ±.010	METRIC
3 Place Decimal ±.005	1 Place Dec. ±.25mm
Angles ..... ±1°	2 Place Dec. ±.13mm

Made for: CW IND.  
 Drawn by: DGW 8-06-2014  
 Checked by: G. GULD 8-6-14  
 Approval: G. GULD 8-6-14

Title: **ROCKER SWIDGET ASSEMBLY (POP - IN) S.P. - D.T.**

Division: **SWITCH**

Dwg. No. **GRS-4012-0000**

**MASTER**

## X-ON Electronics

Largest Supplier of Electrical and Electronic Components

*Click to view similar products for [Rocker Switches](#) category:*

*Click to view products by [CW Industries](#) manufacturer:*

Other Similar products are found below :

[LTI LA6E-1S-WH-RC-FN12VXCR1](#) [6-1571986-9](#) [8007K26N324V52](#) [8055K32Z7V](#) [8055K52Z7V](#) [8138K20E6M50](#) [84206L](#) [84312LX](#)  
[PREDD5-07F-BB0GW](#) [999-16716-002](#) [999-16716-003](#) [999-16716-004](#) [A101J1V3Q004](#) [A101J2ZQ004](#) [A101J4ZQ004](#) [A101J51CB0004](#)  
[A103J1ZQ004](#) [A201J1AQ004](#) [A201J3ZB004](#) [A201J50ZQ004](#) [A203J51ZQ0004](#) [A435S1YZQ](#) [H8500XBBBBBL-A](#) [H8653VBBG2577W](#)  
[HB130CHNWWNAAC](#) [R13112ABB-602W](#) [1251.0303](#) [AE205J60V3B004](#) [1352.0107](#) [1571099-3](#) [1571987-4](#) [1571987-5](#) [1571989-7](#)  
[1571988-5](#) [B123J77V7B2](#) [B226J50W4Q22P](#) [B433J37ZQ22M](#) [160212E](#) [1634200-7](#) [1801.1164](#) [1839.1502](#) [PANEL-PLUG-VHP-BLACK](#)  
[PANEL-PLUG-VHP-WT](#) [K1ABBSCADN](#) [KG312A2DXD246X](#) [250011E714](#) [2600HM11E](#) [2600R21E](#) [2637LH/2A7/122048L0](#)  
[2639LH/2A7/127000L0](#)