

F
 D
 C
 B
 A

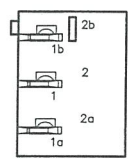
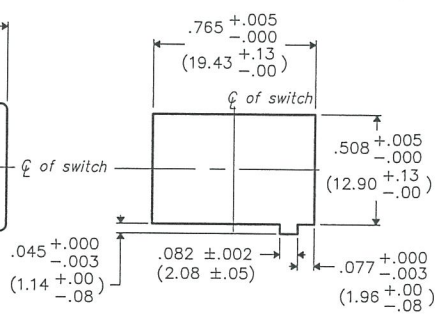
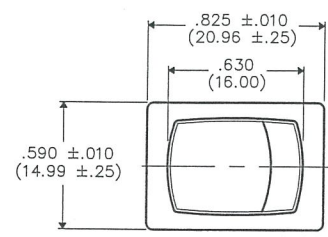
B-FORMAT 2002
 REVISIONS
 0
 RELEASED: DGW 7-15-13
 J.H. 19 2013

THIS INFORMATION IS CONFIDENTIAL AND PROPRIETARY TO CW INDUSTRIES INCORPORATED AND ITS AFFILIATES. IT MAY NOT BE DISCLOSED TO ANYONE OTHER THAN CW INDUSTRIES PERSONNEL, WITHOUT WRITTEN AUTHORIZATION FROM CW INDUSTRIES INCORPORATED, SOUTHAMPTON, PENNSYLVANIA USA.

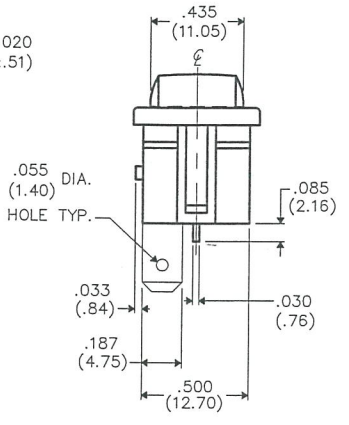
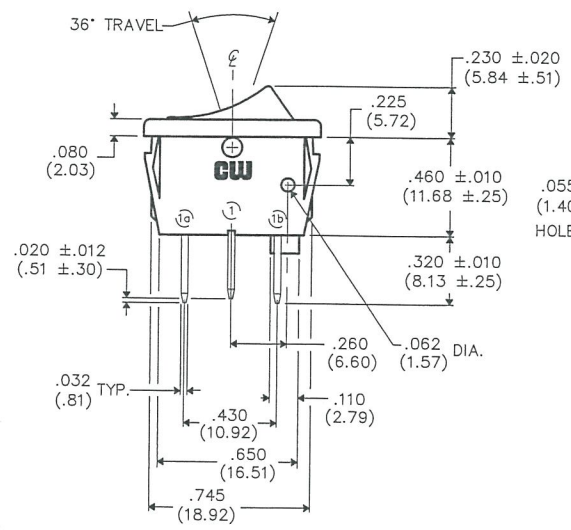
PANEL PIERCING

NOTE:
 RECOMMENDED PANEL THICKNESS

$.075 \begin{matrix} +.000 \\ -.003 \end{matrix}$
 $(1.91 \begin{matrix} +.00 \\ -.08 \end{matrix})$



BOTTOM VIEW



DIMENSIONS IN INCHES (MILLIMETERS)
 DO NOT SCALE DRAWING

Dwg. No.
GRS-4012-0048

SWITCH COLOR - Black

SWITCH RATINGS:

- UL & CSA
- 16A. 125VAC 12A. 250VAC
 - 3/4 H.P. 125-250 VAC 10A. 14V (T)
 - 3A. 125V L
- VDE
- 10(4)A. 250V ~ 4 T85°

| | | | | | | | | | |
|---|---|---|---|---|---|---|---|---|----|
| 1 | 2 | 3 | 4 | 5 | 6 | 7 | 8 | 9 | 10 |
|---|---|---|---|---|---|---|---|---|----|

CW INDUSTRIES
 Southampton, Pa. 18966

TOLERANCES UNLESS OTHERWISE SPECIFIED

| | |
|-----------------------|---------------------|
| 2 Place Decimal ±.010 | METRIC |
| 3 Place Decimal ±.005 | 1 Place Dec. ±.25mm |
| Angles ±1' | 2 Place Dec. ±.13mm |

Title: **MINI ROCKER SWITCH S.P. - D.T.**

Made for: CW IND.
 Drawn by: DGW 7-15-13
 Checked by: *G. Gold 7-19-13*
 Approval: *G. Gold 7-19-13*

Division: **SWITCH**
 Dwg. No. **GRS-4012-0048**

MASTER

X-ON Electronics

Largest Supplier of Electrical and Electronic Components

Click to view similar products for [Rocker Switches](#) category:

Click to view products by [CW Industries](#) manufacturer:

Other Similar products are found below :

[LTI LA6E-1S-WH-RC-FN12VXCR1](#) [6-1571986-9](#) [8007K26N324V52](#) [8055K32Z7V](#) [8055K52Z7V](#) [8138K20E6M50](#) [84206L](#) [84312LX](#)
[PREDD5-07F-BB0GW](#) [999-16716-002](#) [999-16716-003](#) [999-16716-004](#) [A101J1V3Q004](#) [A101J2ZQ004](#) [A101J4ZQ004](#) [A101J51CB0004](#)
[A103J1ZQ004](#) [A201J1AQ004](#) [A201J3ZB004](#) [A201J50ZQ004](#) [A203J51ZQ0004](#) [A435S1YZQ](#) [H8500XBBBBL-A](#) [H8653VBBG2577W](#)
[HB130CHNWWNAAC](#) [R13112ABB-602W](#) [1251.0303](#) [AE205J60V3B004](#) [1352.0107](#) [1571099-3](#) [1571987-4](#) [1571987-5](#) [1571989-7](#)
[1571988-5](#) [B123J77V7B2](#) [B226J50W4Q22P](#) [B433J37ZQ22M](#) [160212E](#) [1634200-7](#) [1801.1164](#) [1839.1502](#) [PANEL-PLUG-VHP-BLACK](#)
[PANEL-PLUG-VHP-WT](#) [K1ABBSCADN](#) [KG312A2DXD246X](#) [250011E714](#) [2600HM11E](#) [2600R21E](#) [2637LH/2A7/122048L0](#)
[2639LH/2A7/127000L0](#)