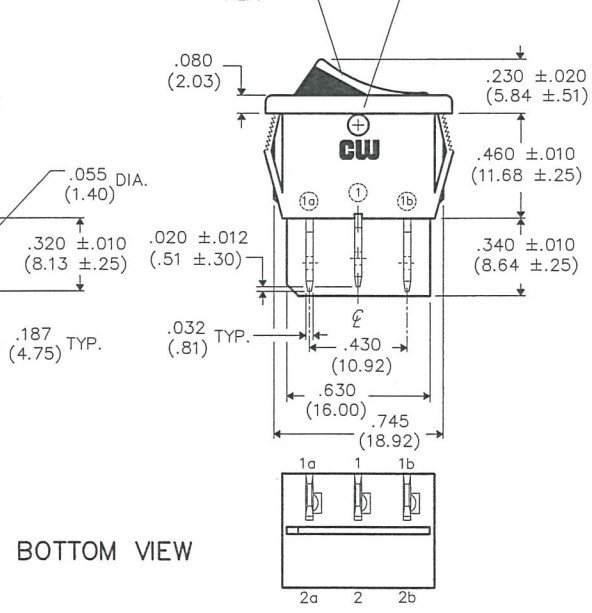
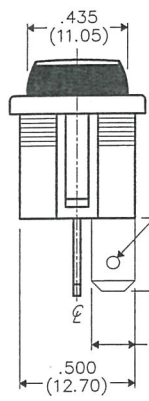
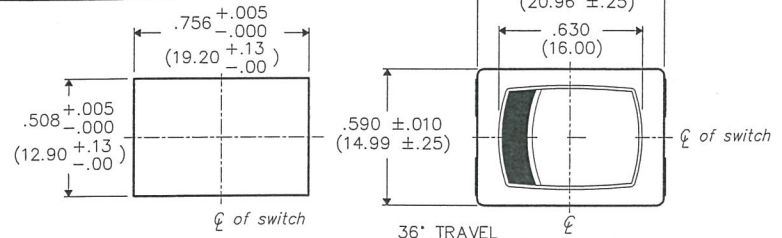


THIS INFORMATION IS CONFIDENTIAL AND PROPRIETARY TO CW INDUSTRIES INCORPORATED AND ITS AFFILIATES. IT MAY NOT BE DISCLOSED TO ANYONE OTHER THAN CW INDUSTRIES PERSONNEL, WITHOUT WRITTEN AUTHORIZATION FROM CW INDUSTRIES INCORPORATED, SOUTHAMPTON, PENNSYLVANIA USA.

A B C D F

PANEL PIERCING



BOTTOM VIEW

DIMENSIONS IN INCHES (MILLIMETERS)
DO NOT SCALE DRAWING Dwg. No. **GRS-4012-0065**

UL, CSA & VDE LISTED:

16A 125-250VAC 3/4H.P. 125-250VAC
3A 125V L 10A 14V(T)
10(4) 250 ~ 4 T85'

MATERIALS:

BUTTON - NYLON 6/6 94V-2 COLOR, BLACK/RED
HOUSING - NYLON 6/6 94V-2 COLOR, BLACK
TERMINAL & MOVING CONTACT - COPPER ALLOY

1 2 3 4 5 6 7 8 9 10

B-FORMAT 2002
REVISIONS
RELEASED: DGW 2-25-2013
FEB 26 2013

PDF MADE	CW INDUSTRIES Southampton, Pa. 18966		Title: 2 COLOR ROCKER SWIDGET ASSEMBLY SP/DT (POP-IN)
	TOLERANCES UNLESS OTHERWISE SPECIFIED		
	2 Place Decimal ±.010	METRIC	
	3 Place Decimal ±.005	1 Place Dec. ±.25mm	
	Angles ±1'	2 Place Dec. ±.13mm	
Made for: CW IND.		Division: SWTCH	
Drawn by: DGW 2-25-2013		Dwg. No. GRS-4012-0065	
Checked by: <i>G. Gold 2-26-13</i>			
Approval: <i>C. H. 2/21/13</i>			

MASTER

X-ON Electronics

Largest Supplier of Electrical and Electronic Components

Click to view similar products for [Rocker Switches](#) category:

Click to view products by [CW Industries](#) manufacturer:

Other Similar products are found below :

[LTI LA6E-1S-WH-RC-FN12VXCR1](#) [6-1571986-9](#) [8007K26N324V52](#) [8055K32Z7V](#) [8055K52Z7V](#) [8138K20E6M50](#) [84206L](#) [84312LX](#)
[PREDD5-07F-BB0GW](#) [999-16716-002](#) [999-16716-003](#) [999-16716-004](#) [A101J1V3Q004](#) [A101J2ZQ004](#) [A101J4ZQ004](#) [A101J51CB0004](#)
[A103J1ZQ004](#) [A201J1AQ004](#) [A201J3ZB004](#) [A201J50ZQ004](#) [A203J51ZQ0004](#) [A435S1YZQ](#) [H8500XBBBBBL-A](#) [H8653VBBG2577W](#)
[HB130CHNWWNAAC](#) [R13112ABB-602W](#) [1251.0303](#) [AE205J60V3B004](#) [1352.0107](#) [1571099-3](#) [1571987-4](#) [1571987-5](#) [1571989-7](#)
[1571988-5](#) [B123J77V7B2](#) [B226J50W4Q22P](#) [B433J37ZQ22M](#) [160212E](#) [1634200-7](#) [1801.1164](#) [1839.1502](#) [PANEL-PLUG-VHP-BLACK](#)
[PANEL-PLUG-VHP-WT](#) [K1ABBSCADN](#) [KG312A2DXD246X](#) [250011E714](#) [2600HM11E](#) [2600R21E](#) [2637LH/2A7/122048L0](#)
[2639LH/2A7/127000L0](#)