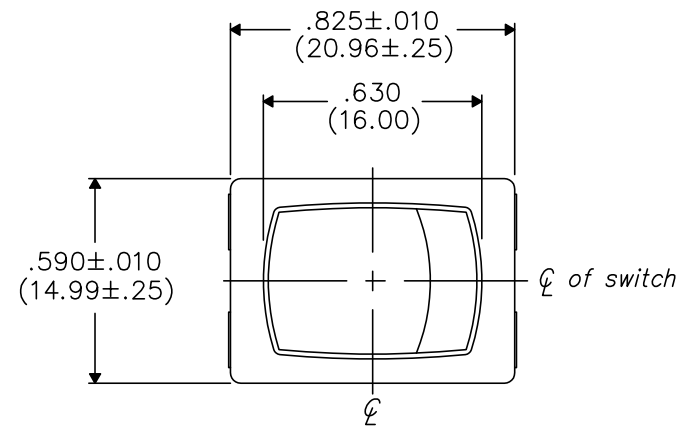
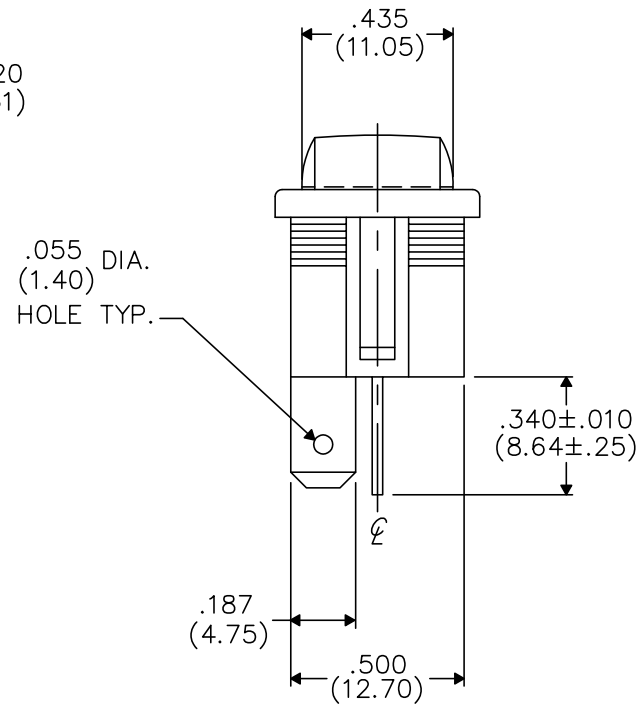
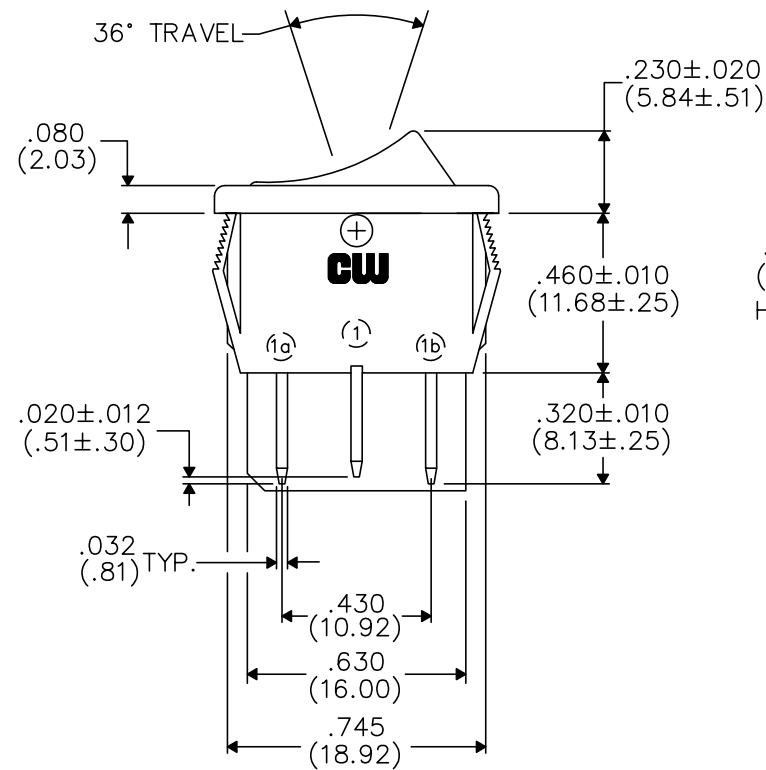
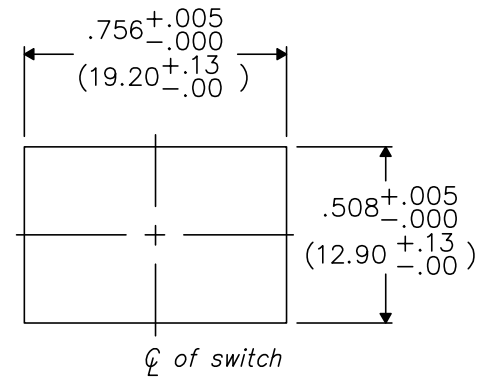


DIMENSIONS IN INCHES (MILLIMETERS)
DO NOT SCALE DRAWING

Dwg. No.
GRS-4012-1600



PANEL PIERCING






MATERIAL:
ROCKER KNOB- Nylon 94V-2
HOUSING- Nylon 94V-2
TERMINAL/STATIONARY/MOVING CONTACT- Copper alloy,
and/or copper alloy silver plated.
SPRING- music wire
PLUNGER- plated steel

PERFORMANCE STANDARDS-
Endurance- 100,000 cycles, no load, minimum
25,000 cycles at rated load minimum up to 16A
125 VAC
10,000 cycles at rated load minimum at 16A
250 VAC
Contact Resistance- less than .01 Ohm at 10 mA (initial)
Operating Temperature- 105° C maximum
High Voltage Dielectric Withstanding Voltage- 2,500 V,
60 Hz for 1 minute between mounting
surface and circuit connections

HUMIDITY- Insulation resistance > 10³ MOhms after 100 hours
at 95% R.H. and 50° C followed by 1 hour dry
at ambient room conditions

ELECTRICAL RATING-
16A 125-250VAC , 10A 14V (T)
3/4 H.P. 125-250VAC , 3A 125V (L)
10(4) 250 ~ μ

LISTING AGENCIES-  ,  , 

FORM-B4

REVISIONS

0
RELEASED. SPR 8-28-91 RBK 8-30-91

CW INDUSTRIES
Southampton, Pa. 18966

TOLERANCES UNLESS OTHERWISE SPECIFIED	
2 Place Decimal ±.010	METRIC
3 Place Decimal ±.005	1 Place Dec. ±.25mm
Angles ±1°	2 Place Dec. ±.13mm

Made for:	CW IND.
Drawn by:	SPR 8-28-91
Checked by:	RBK 8-28-91
Approval:	RBK 8-28-91

Title: ROCKER SWIDGET
ASSEMBLY
(POP-IN)
S.P.-D.T.

Division:
SWITCH

Dwg. No.
GRS-4012-1600

X-ON Electronics

Largest Supplier of Electrical and Electronic Components

Click to view similar products for [Rocker Switches](#) category:

Click to view products by [CW Industries](#) manufacturer:

Other Similar products are found below :

[LTI LA6E-1S-WH-RC-FN12VXCR1](#) [6-1571986-9](#) [8007K26N324V52](#) [8055K32Z7V](#) [8055K52Z7V](#) [8138K20E6M50](#) [84206L](#) [84312LX](#)
[PREDD5-07F-BB0GW](#) [999-16716-002](#) [999-16716-003](#) [999-16716-004](#) [A101J1V3Q004](#) [A101J2ZQ004](#) [A101J4ZQ004](#) [A101J51CB0004](#)
[A103J1ZQ004](#) [A201J1AQ004](#) [A201J3ZB004](#) [A201J50ZQ004](#) [A203J51ZQ0004](#) [A435S1YZQ](#) [H8500XBBBBBL-A](#) [H8653VBBG2577W](#)
[HB130CHNWWNAAC](#) [R13112ABB-602W](#) [1251.0303](#) [AE205J60V3B004](#) [1352.0107](#) [1571099-3](#) [1571987-4](#) [1571987-5](#) [1571989-7](#)
[1571988-5](#) [B123J77V7B2](#) [B226J50W4Q22P](#) [B433J37ZQ22M](#) [160212E](#) [1634200-7](#) [1801.1164](#) [1839.1502](#) [PANEL-PLUG-VHP-BLACK](#)
[PANEL-PLUG-VHP-WT](#) [K1ABBSCADN](#) [KG312A2DXD246X](#) [250011E714](#) [2600HM11E](#) [2600R21E](#) [2637LH/2A7/122048L0](#)
[2639LH/2A7/127000L0](#)