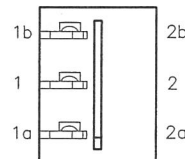
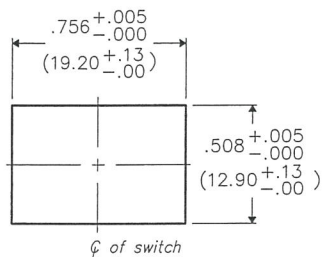
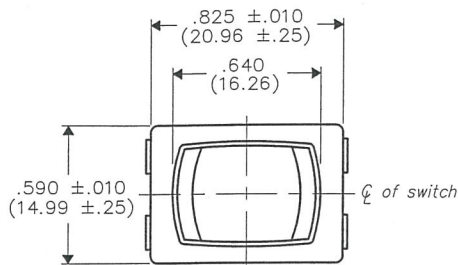


THIS INFORMATION IS CONFIDENTIAL AND PROPRIETARY TO CW INDUSTRIES INCORPORATED AND ITS AFFILIATES. IT MAY NOT BE DISCLOSED TO ANYONE, OTHER THAN CW INDUSTRIES PERSONNEL, WITHOUT WRITTEN AUTHORIZATION FROM CW INDUSTRIES INCORPORATED, SOUTHAMPTON, PENNSYLVANIA, USA.

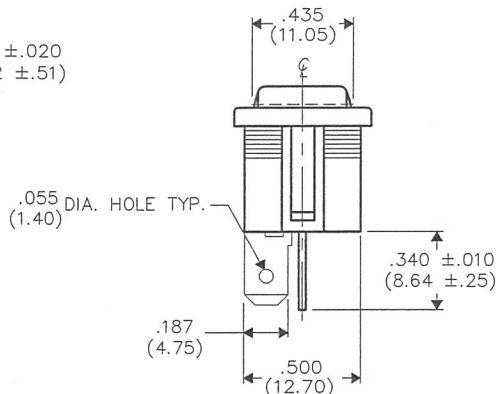
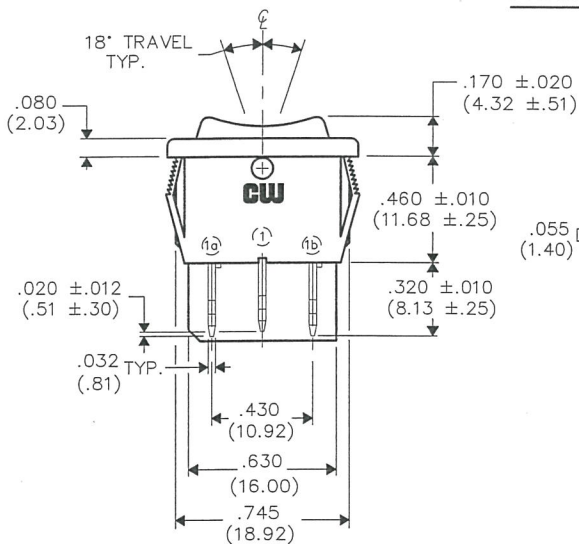
DIMENSIONS IN INCHES (MILLIMETERS)
DO NOT SCALE DRAWING

Dwg. No.
GRS-4013C-0001



PANEL PIERCING

BOTTOM VIEW



UL & CSA LISTED:

- 8A 125VAC
- 4A 250VAC
- 3A 277VAC

MATERIALS:

BUTTON & HOUSING - NYLON 6/6 94V-2, COLOR/BLACK
TERMINAL & MOVING CONTACT - COPPER ALLOY

1	2	3	4	5	6	7	8	9	10
---	---	---	---	---	---	---	---	---	----

B-FORMAT 2002	REVISIONS	0	RELEASED DWG 2-25-13 FEC 26 2013	
---------------	------------------	---	--	--

PDF MADE	cw INDUSTRIES Southampton, Pa. 18966	Title: ASSEMBLY ROCKER SWIDGET S.P.- CENTER OFF (MOM.-OFF-MOM.)
	TOLERANCES UNLESS OTHERWISE SPECIFIED	
	2 Place Decimal ±.010	METRIC
	3 Place Decimal ±.005	1 Place Dec. ±.25mm
	Angles ±1'	2 Place Dec. ±.13mm
Made for: CW IND.	Division: SWITCH	
Drawn by: DGW 2-25-13	Dwg. No. GRS-4013C-0001	
Checked by: <i>G. Guld 2-26-13</i>		
Approval: <i>C. H... 2/26/13</i>		

MASTER

X-ON Electronics

Largest Supplier of Electrical and Electronic Components

Click to view similar products for [Rocker Switches](#) category:

Click to view products by [CW Industries](#) manufacturer:

Other Similar products are found below :

[LTI LA6E-1S-WH-RC-FN12VXCR1](#) [6-1571986-9](#) [8007K26N324V52](#) [8055K32Z7V](#) [8055K52Z7V](#) [8138K20E6M50](#) [84206L](#) [84312LX](#)
[PREDD5-07F-BB0GW](#) [999-16716-002](#) [999-16716-003](#) [999-16716-004](#) [A101J1V3Q004](#) [A101J2ZQ004](#) [A101J4ZQ004](#) [A101J51CB0004](#)
[A103J1ZQ004](#) [A201J1AQ004](#) [A201J3ZB004](#) [A201J50ZQ004](#) [A203J51ZQ0004](#) [A435S1YZQ](#) [H8500XBBBBBL-A](#) [H8653VBBG2577W](#)
[HB130CHNWWNAAC](#) [R13112ABB-602W](#) [1251.0303](#) [AE205J60V3B004](#) [1352.0107](#) [1571099-3](#) [1571987-4](#) [1571987-5](#) [1571989-7](#)
[1571988-5](#) [B123J77V7B2](#) [B226J50W4Q22P](#) [B433J37ZQ22M](#) [160212E](#) [1634200-7](#) [1801.1164](#) [1839.1502](#) [PANEL-PLUG-VHP-BLACK](#)
[PANEL-PLUG-VHP-WT](#) [K1ABBSCADN](#) [KG312A2DXD246X](#) [250011E714](#) [2600HM11E](#) [2600R21E](#) [2637LH/2A7/122048L0](#)
[2639LH/2A7/127000L0](#)