

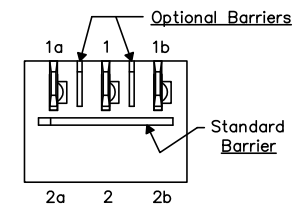
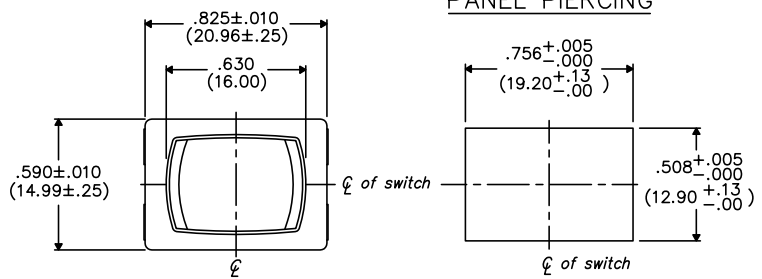
THIS INFORMATION IS CONFIDENTIAL AND PROPRIETARY TO CW INDUSTRIES INCORPORATED AND ITS AFFILIATES. IT MAY NOT BE DISCLOSED TO ANYONE OTHER THAN CW INDUSTRIES PERSONNEL, WITHOUT WRITTEN AUTHORIZATION FROM CW INDUSTRIES INCORPORATED, SOUTHAMPTON, PENNSYLVANIA USA.

DIMENSIONS IN INCHES (MILLIMETERS)
DO NOT SCALE DRAWING

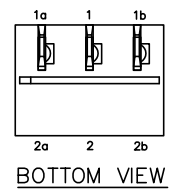
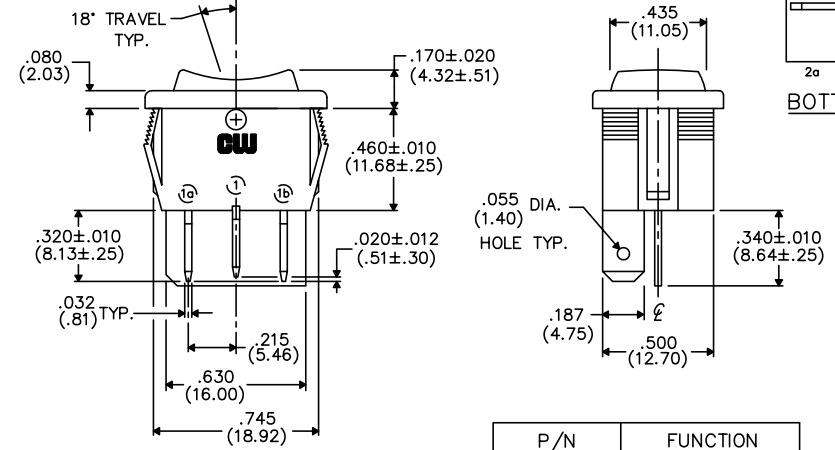
Dwg. No.
GRS-4013A,B,C,-XXXX

PANEL PIERCING

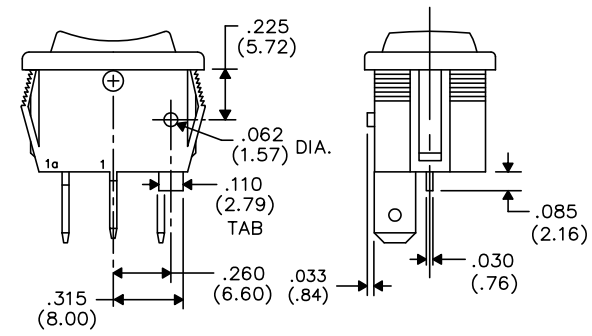
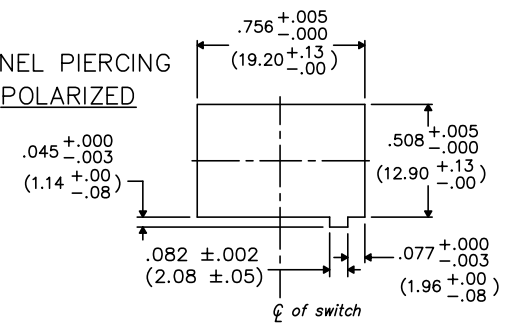
OPTIONAL INSULATING BARRIER



MOUNTING PANEL THICKNESS
Standard—.050" (1.27mm) to .150" (3.81mm).
Optional Mounting Claws for Custom Panel thickness are available.



PANEL PIERCING POLARIZED



P/N	FUNCTION
GRS-4013A	Double Throw On-Off-On
GRS-4013B	Double Throw On-Off-(On)
GRS-4013C	Double Throw (On)-Off-(On)

TERMINAL OPTIONS:
 .187" (4.75mm) x .032" (.81mm) Solderless
 .110" (2.79mm) x .032" (.81mm) Solderless
 .187" (4.75mm) x .020" (.51mm) Solderless
 .110" (2.79mm) wide with .048" (1.22mm) x .237" (6.02mm) Slot for Soldering

() = Momentary Function

REVISIONS	1	2	3	4	5	6	7	8	9	10

PDF FILE MADE	Southampton, Pa. 18966		Title: ROCKER SWITCH ASSEMBLY S.P./D.T. Division: SWITCH Dwg. No. GRS-4013A,B,C,-XXXX
	TOLERANCES UNLESS OTHERWISE SPECIFIED		
	2 Place Decimal ±.010 3 Place Decimal ±.005 Angles ±1°	METRIC 1 Place Dec. ±.25mm 2 Place Dec. ±.13mm	
	Made for: CW IND.	Drawn by: DGW 10-28-2010	
	Checked by:	Approval:	

X-ON Electronics

Largest Supplier of Electrical and Electronic Components

Click to view similar products for [Rocker Switches](#) category:

Click to view products by [CW Industries](#) manufacturer:

Other Similar products are found below :

[LTI LA6E-1S-WH-RC-FN12VXCR1](#) [6-1571986-9](#) [8007K26N324V52](#) [8055K32Z7V](#) [8055K52Z7V](#) [8138K20E6M50](#) [84206L](#) [84312LX](#)
[PREDD5-07F-BB0GW](#) [999-16716-002](#) [999-16716-003](#) [999-16716-004](#) [A101J1V3Q004](#) [A101J2ZQ004](#) [A101J4ZQ004](#) [A101J51CB0004](#)
[A103J1ZQ004](#) [A201J1AQ004](#) [A201J3ZB004](#) [A201J50ZQ004](#) [A203J51ZQ0004](#) [A435S1YZQ](#) [H8500XBBBBL-A](#) [H8653VBBG2577W](#)
[HB130CHNWWNAAC](#) [R13112ABB-602W](#) [1251.0303](#) [AE205J60V3B004](#) [1352.0107](#) [1571099-3](#) [1571987-4](#) [1571987-5](#) [1571989-7](#)
[1571988-5](#) [B123J77V7B2](#) [B226J50W4Q22P](#) [B433J37ZQ22M](#) [160212E](#) [1634200-7](#) [1801.1164](#) [1839.1502](#) [PANEL-PLUG-VHP-BLACK](#)
[PANEL-PLUG-VHP-WT](#) [K1ABBSCADN](#) [KG312A2DXD246X](#) [250011E714](#) [2600HM11E](#) [2600R21E](#) [2637LH/2A7/122048L0](#)
[2639LH/2A7/127000L0](#)