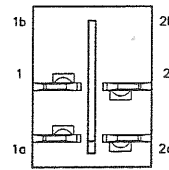
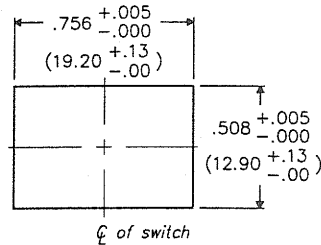
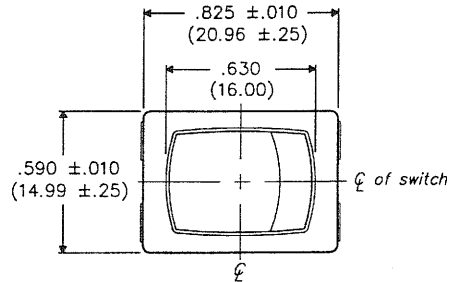


DIMENSIONS IN INCHES (MILLIMETERS)
DO NOT SCALE DRAWING

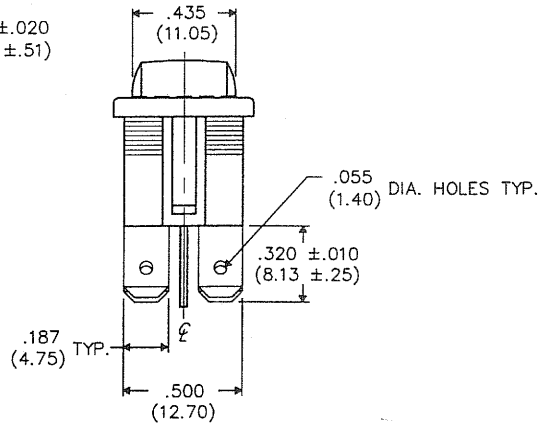
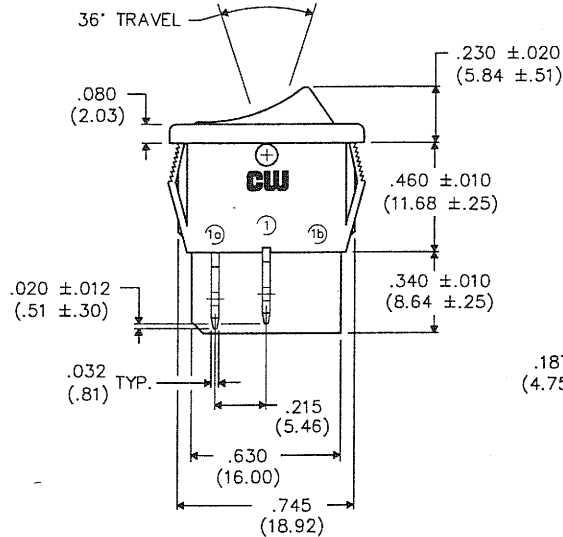
Dwg. No.

GRS-4021-0002

PANEL PIERCING



BOTTOM VIEW



MATERIAL:

- ROCKER KNOB- Nylon 94V-2
- HOUSING- Nylon 94V-2
- TERMINAL/STATIONARY/MOVING CONTACT- Copper alloy, and/or copper alloy silver plated.
- SPRING- music wire
- PLUNGER- plated steel

PERFORMANCE STANDARDS-

- Endurance- 100,000 cycles, no load, minimum
- 25,000 cycles at rated load minimum up to 16A 125 VAC
- 10,000 cycles at rated load minimum at 16A 250 VAC
- Contact Resistance- less than .01 Ohm at 10 mA (initial)
- Operating Temperature- 105° C maximum
- High Voltage Dielectric Withstanding Voltage- 2,500 V, 60 Hz for 1 minute between mounting surface and circuit connections

HUMIDITY- Insulation resistance > 10³ MOhms after 100 hours at 95% R.H. and 50° C followed by 1 hour dry at ambient room conditions

ELECTRICAL RATING-

- 16A 125-250VAC , 10A 14V (T)
- 3/4 H.P. 125-250VAC , 3A 125V (L)
- 10(4) 250 ~ μ

LISTING AGENCIES-



E										
D										
C										
B										
A										
	1	2	3	4	5	6	7	8	9	10

ATTENTION

THIS DRAWING AND ITS ATTACHMENT, IF ANY, ARE PROPRIETARY TO CW INDUSTRIES AND DESCRIBE DESIGNS THAT ARE CONFIDENTIAL AND MUST NOT BE DISCLOSED UNLESS AUTHORIZED, IN WRITING, BY AN OFFICER OF CW INDUSTRIES.....

CW INDUSTRIES
Southampton, Pa. 18966

TOLERANCES UNLESS OTHERWISE SPECIFIED

2 Place Decimal ±.010	METRIC
3 Place Decimal ±.005	1 Place Dec. ±.25mm
Angles ±1°	2 Place Dec. ±.13mm

Made for: CW IND.

Drawn by: DGW 4-01-97

Checked by: G. GVL 4-30-97

Approval: F. F. [Signature] 4-30-97

Title: **ROCKER SWIDGET ASSEMBLY (POP IN) D.P.- S.T.**

Division: **SWITCH**

Dwg. No. **GRS-4021-0002**

FORM-B3

REVISIONS

1	UPDATED & REDRAWN. ADDED BOTTOM VIEW, MATERIALS & LISTINGS. DGW 4-01-97
---	---

G.G. APR 29 1997

MASTER

X-ON Electronics

Largest Supplier of Electrical and Electronic Components

Click to view similar products for [Rocker Switches](#) category:

Click to view products by [CW Industries](#) manufacturer:

Other Similar products are found below :

[LTI LA6E-1S-WH-RC-FN12VXCR1](#) [6-1571986-9](#) [8007K26N324V52](#) [8055K32Z7V](#) [8055K52Z7V](#) [8138K20E6M50](#) [84206L](#) [84312LX](#)
[PREDD5-07F-BB0GW](#) [999-16716-002](#) [999-16716-003](#) [999-16716-004](#) [A101J1V3Q004](#) [A101J2ZQ004](#) [A101J4ZQ004](#) [A101J51CB0004](#)
[A103J1ZQ004](#) [A201J1AQ004](#) [A201J3ZB004](#) [A201J50ZQ004](#) [A203J51ZQ0004](#) [A435S1YZQ](#) [H8500XBBBBBL-A](#) [H8653VBBG2577W](#)
[HB130CHNWWNAAC](#) [R13112ABB-602W](#) [1251.0303](#) [AE205J60V3B004](#) [1352.0107](#) [1571099-3](#) [1571987-4](#) [1571987-5](#) [1571989-7](#)
[1571988-5](#) [B123J77V7B2](#) [B226J50W4Q22P](#) [B433J37ZQ22M](#) [160212E](#) [1634200-7](#) [1801.1164](#) [1839.1502](#) [PANEL-PLUG-VHP-BLACK](#)
[PANEL-PLUG-VHP-WT](#) [K1ABBSCADN](#) [KG312A2DXD246X](#) [250011E714](#) [2600HM11E](#) [2600R21E](#) [2637LH/2A7/122048L0](#)
[2639LH/2A7/127000L0](#)