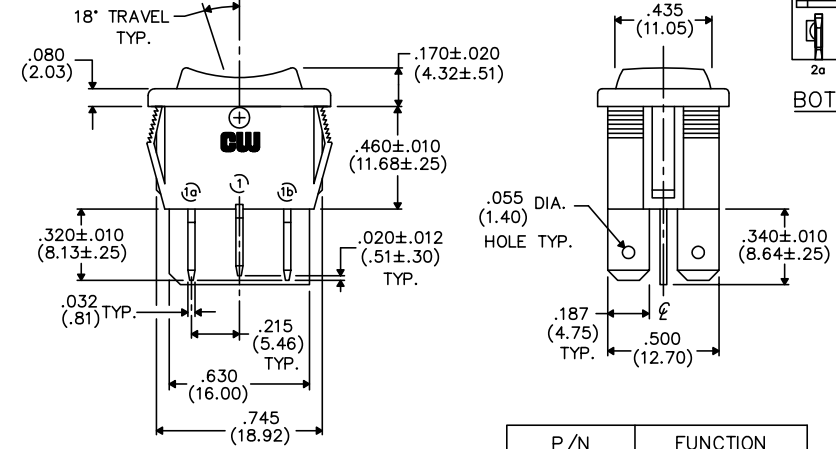
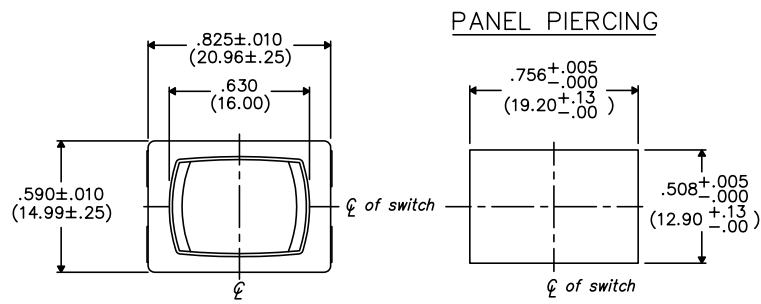


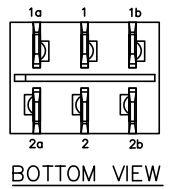
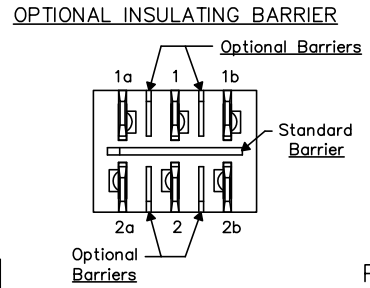
THIS INFORMATION IS CONFIDENTIAL AND PROPRIETARY TO CW INDUSTRIES INCORPORATED AND ITS AFFILIATES. IT MAY NOT BE DISCLOSED TO ANYONE OTHER THAN CW INDUSTRIES PERSONNEL, WITHOUT WRITTEN AUTHORIZATION FROM CW INDUSTRIES INCORPORATED, SOUTHAMPTON, PENNSYLVANIA USA.

B-FORMAT 2002  
 REVISIONS



P/N	FUNCTION
GRS-4023A	Double Throw On-Off-On
GRS-4023B	Double Throw On-Off-(On)
GRS-4023C	Double Throw (On)-Off-(On)

( ) = Momentary Function



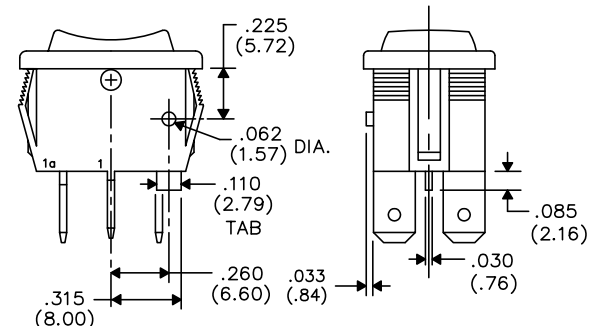
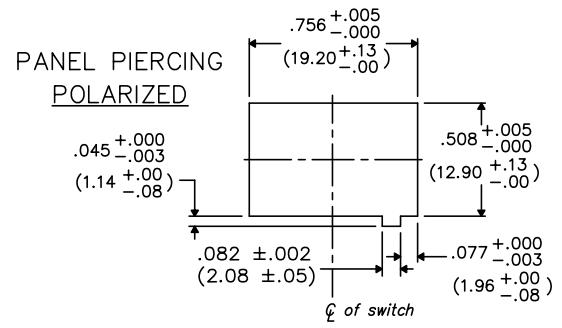
BOTTOM VIEW

**TERMINAL OPTIONS:**  
 .187" (4.75mm) x .032" (.81mm) Solderless  
 .110" (2.79mm) x .032" (.81mm) Solderless  
 .187" (4.75mm) x .020" (.51mm) Solderless  
 .110" (2.79mm) wide with .048" (1.22mm) x .237" (6.02mm) Slot for Soldering

DIMENSIONS IN INCHES (MILLIMETERS)  
 DO NOT SCALE DRAWING .....

Dwg. No.  
 GRS-4023A,B,C,-XXXX

**MOUNTING PANEL THICKNESS**  
 Standard-.050" (1.27mm) to .150" (3.81mm).  
 Optional Mounting Claws for Custom Panel thickness are available.



TAB AND POLARIZATION OPTIONS

PDF FILE MADE	<b>CW INDUSTRIES</b> Southampton, Pa. 18966		Title: ROCKER SWITCH ASSEMBLY D.P./D.T.
	TOLERANCES UNLESS OTHERWISE SPECIFIED		
	2 Place Decimal ±.010	METRIC	Division: SWITCH
	3 Place Decimal ±.005	1 Place Dec. ±.25mm	
	Angles ..... ±1°	2 Place Dec. ±.13mm	Dwg. No. GRS-4023A,B,C,-XXXX
Made for: CW IND.	Drawn by: DGW 10-28-2010	Approval:	

1                      2                      3                      4                      5                      6                      7                      8                      9                      10

## X-ON Electronics

Largest Supplier of Electrical and Electronic Components

*Click to view similar products for [Rocker Switches](#) category:*

*Click to view products by [CW Industries](#) manufacturer:*

Other Similar products are found below :

[LTI LA6E-1S-WH-RC-FN12VXCR1](#) [6-1571986-9](#) [8007K26N324V52](#) [8055K32Z7V](#) [8055K52Z7V](#) [8138K20E6M50](#) [84206L](#) [84312LX](#)  
[PREDD5-07F-BB0GW](#) [999-16716-002](#) [999-16716-003](#) [999-16716-004](#) [A101J1V3Q004](#) [A101J2ZQ004](#) [A101J4ZQ004](#) [A101J51CB0004](#)  
[A103J1ZQ004](#) [A201J1AQ004](#) [A201J3ZB004](#) [A201J50ZQ004](#) [A203J51ZQ0004](#) [A435S1YZQ](#) [H8500XBBBBL-A](#) [H8653VBBG2577W](#)  
[HB130CHNWWNAAC](#) [R13112ABB-602W](#) [1251.0303](#) [AE205J60V3B004](#) [1352.0107](#) [1571099-3](#) [1571987-4](#) [1571987-5](#) [1571989-7](#)  
[1571988-5](#) [B123J77V7B2](#) [B226J50W4Q22P](#) [B433J37ZQ22M](#) [160212E](#) [1634200-7](#) [1801.1164](#) [1839.1502](#) [PANEL-PLUG-VHP-BLACK](#)  
[PANEL-PLUG-VHP-WT](#) [K1ABBSCADN](#) [KG312A2DXD246X](#) [250011E714](#) [2600HM11E](#) [2600R21E](#) [2637LH/2A7/122048L0](#)  
[2639LH/2A7/127000L0](#)