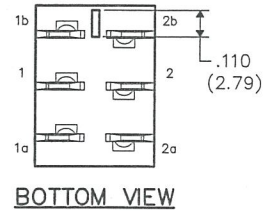
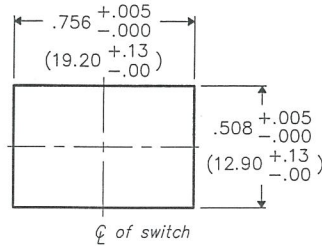
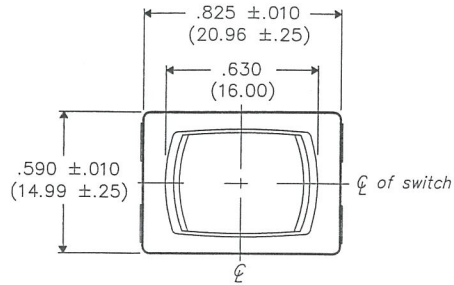


THIS INFORMATION IS CONFIDENTIAL AND PROPRIETARY TO CW INDUSTRIES INCORPORATED AND ITS AFFILIATES. IT MAY NOT BE DISCLOSED TO ANYONE OTHER THAN CW INDUSTRIES PERSONNEL, WITHOUT WRITTEN AUTHORIZATION FROM CW INDUSTRIES INCORPORATED, SOUTHAMPTON, PENNSYLVANIA USA.

DIMENSIONS IN INCHES (MILLIMETERS)
DO NOT SCALE DRAWING

Dwg. No.
GRS-4023C-0017

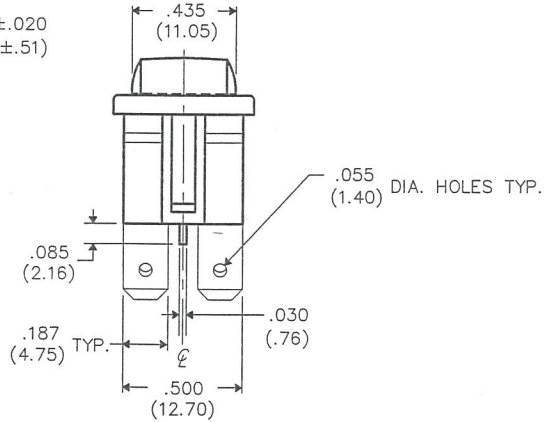
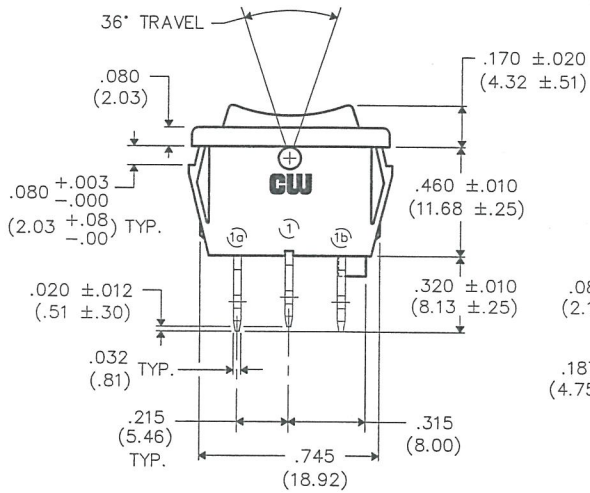
PANEL PIERCING



SWITCH COLOR - Black

SWITCH RATINGS:

- UL & CSA
- 13A. 125VAC 10A. 250VAC
- 1/2 H.P. 125-250 VAC
- 5A. 14V (T)



1	2	3	4	5	6	7	8	9	10
---	---	---	---	---	---	---	---	---	----

<p>B-FORMAT 2002</p> <p>REVISIONS</p> <p>RELEASED: DCW 7-05-13 JHL 10 2013</p>		<p>GW INDUSTRIES Southampton, Pa. 18966</p> <p>TOLERANCES UNLESS OTHERWISE SPECIFIED</p> <table style="font-size: small;"> <tr> <td>2 Place Decimal ±.010</td> <td>METRIC</td> </tr> <tr> <td>3 Place Decimal ±.005</td> <td>1 Place Dec. ±.25mm</td> </tr> <tr> <td>Angles ±1'</td> <td>2 Place Dec. ±.13mm</td> </tr> </table>	2 Place Decimal ±.010	METRIC	3 Place Decimal ±.005	1 Place Dec. ±.25mm	Angles ±1'	2 Place Dec. ±.13mm	<p>Title: ROCKER SWIDGET ASSEMBLY</p> <p>D.P.D.T. CO. SPECIAL CLAW</p>
2 Place Decimal ±.010	METRIC								
3 Place Decimal ±.005	1 Place Dec. ±.25mm								
Angles ±1'	2 Place Dec. ±.13mm								
		<p>Made for: CW IND.</p> <p>Drawn by: DGW 7-05-13</p> <p>Checked by: <i>G. Gold</i> 7-10-13</p> <p>Approval: <i>G. Gold</i> 7-10-13</p>	<p>Division: SWITCH</p> <p>Dwg. No. GRS-4023C-0017</p>						

MASTER

X-ON Electronics

Largest Supplier of Electrical and Electronic Components

Click to view similar products for [Rocker Switches](#) category:

Click to view products by [CW Industries](#) manufacturer:

Other Similar products are found below :

[LTI LA6E-1S-WH-RC-FN12VXCR1](#) [6-1571986-9](#) [8007K26N324V52](#) [8055K32Z7V](#) [8055K52Z7V](#) [8138K20E6M50](#) [84206L](#) [84312LX](#)
[PREDD5-07F-BB0GW](#) [999-16716-002](#) [999-16716-003](#) [999-16716-004](#) [A101J1V3Q004](#) [A101J2ZQ004](#) [A101J4ZQ004](#) [A101J51CB0004](#)
[A103J1ZQ004](#) [A201J1AQ004](#) [A201J3ZB004](#) [A201J50ZQ004](#) [A203J51ZQ0004](#) [A435S1YZQ](#) [H8500XBBBBBL-A](#) [H8653VBBG2577W](#)
[HB130CHNWWNAAC](#) [R13112ABB-602W](#) [1251.0303](#) [AE205J60V3B004](#) [1352.0107](#) [1571099-3](#) [1571987-4](#) [1571987-5](#) [1571989-7](#)
[1571988-5](#) [B123J77V7B2](#) [B226J50W4Q22P](#) [B433J37ZQ22M](#) [160212E](#) [1634200-7](#) [1801.1164](#) [1839.1502](#) [PANEL-PLUG-VHP-BLACK](#)
[PANEL-PLUG-VHP-WT](#) [K1ABBSCADN](#) [KG312A2DXD246X](#) [250011E714](#) [2600HM11E](#) [2600R21E](#) [2637LH/2A7/122048L0](#)
[2639LH/2A7/127000L0](#)