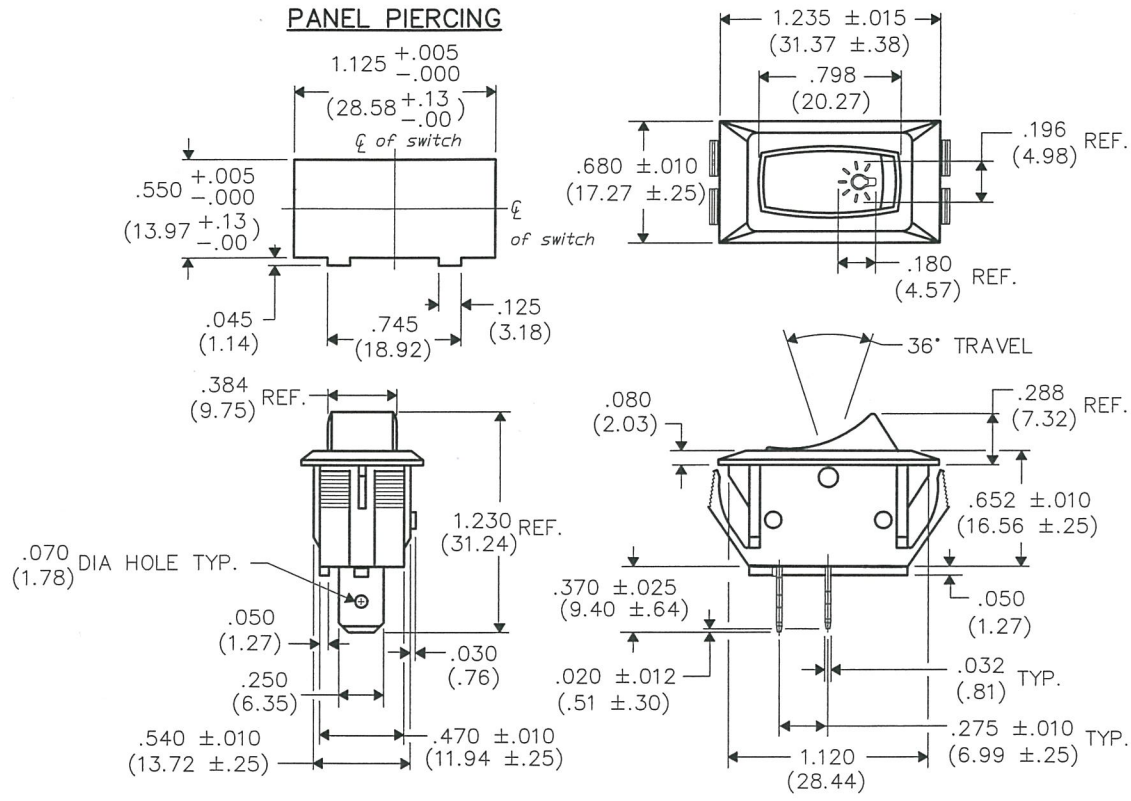


F
D
C
B
A

THIS INFORMATION IS CONFIDENTIAL AND PROPRIETARY TO CV INDUSTRIES INCORPORATED AND ITS AFFILIATES. IT MAY NOT BE DISCLOSED TO ANYONE OTHER THAN CV INDUSTRIES PERSONNEL, WITHOUT WRITTEN AUTHORIZATION FROM CV INDUSTRIES INCORPORATED, SOUTHAMPTON, PENNSYLVANIA, USA.



U.L. LISTED
8A. 125VAC
4A. 250VAC

FORM-B4	REVISIONS	0 RELEASED. DWG 12-16-2008 DEC. 17, 2008	1 REDRAWN. REMOVED RAD. ON BOTTOM OF CLAW AND FROM TITLE BLOCK. DWG 5-31-2012 G.G. JUN 04 2012	1	2	3	4	5	6	7	8	9	10									
<table border="1"> <tr> <td rowspan="3">PDF FILE MADE</td> <td>CW INDUSTRIES Southampton, Pa. 18966</td> <td>Title: ROCKER ASSEMBLY S.P.S.T., POLARIZED 1.125"x .550" PANEL</td> </tr> <tr> <td>TOLERANCES UNLESS OTHERWISE SPECIFIED</td> <td>Division: SWITCH</td> </tr> <tr> <td>2 Place Decimal ±.010 METRIC 3 Place Decimal ±.005 1 Place Dec. ±.25mm Angles ±1' 2 Place Dec. ±.13mm</td> <td>Dwg. No. GRSH-2011-2008</td> </tr> <tr> <td>Made for: CW IND.</td> <td>Drawn by: DGW 12-16-2008</td> <td>Approval: G. Gold 6-1-12</td> </tr> </table>													PDF FILE MADE	CW INDUSTRIES Southampton, Pa. 18966	Title: ROCKER ASSEMBLY S.P.S.T., POLARIZED 1.125"x .550" PANEL	TOLERANCES UNLESS OTHERWISE SPECIFIED	Division: SWITCH	2 Place Decimal ±.010 METRIC 3 Place Decimal ±.005 1 Place Dec. ±.25mm Angles ±1' 2 Place Dec. ±.13mm	Dwg. No. GRSH-2011-2008	Made for: CW IND.	Drawn by: DGW 12-16-2008	Approval: G. Gold 6-1-12
PDF FILE MADE	CW INDUSTRIES Southampton, Pa. 18966	Title: ROCKER ASSEMBLY S.P.S.T., POLARIZED 1.125"x .550" PANEL																				
	TOLERANCES UNLESS OTHERWISE SPECIFIED	Division: SWITCH																				
	2 Place Decimal ±.010 METRIC 3 Place Decimal ±.005 1 Place Dec. ±.25mm Angles ±1' 2 Place Dec. ±.13mm	Dwg. No. GRSH-2011-2008																				
Made for: CW IND.	Drawn by: DGW 12-16-2008	Approval: G. Gold 6-1-12																				

MASTER

X-ON Electronics

Largest Supplier of Electrical and Electronic Components

Click to view similar products for [Rocker Switches](#) category:

Click to view products by [CW Industries](#) manufacturer:

Other Similar products are found below :

[LTI LA6E-1S-WH-RC-FN12VXCR1](#) [6-1571986-9](#) [8007K26N324V52](#) [8055K32Z7V](#) [8055K52Z7V](#) [8138K20E6M50](#) [84206L](#) [84312LX](#)
[PREDD5-07F-BB0GW](#) [999-16716-002](#) [999-16716-003](#) [999-16716-004](#) [A101J1V3Q004](#) [A101J2ZQ004](#) [A101J4ZQ004](#) [A101J51CB0004](#)
[A103J1ZQ004](#) [A201J1AQ004](#) [A201J3ZB004](#) [A201J50ZQ004](#) [A203J51ZQ0004](#) [A435S1YZQ](#) [H8500XBBBBBL-A](#) [H8653VBBG2577W](#)
[HB130CHNWWNAAC](#) [R13112ABB-602W](#) [1251.0303](#) [AE205J60V3B004](#) [1352.0107](#) [1571099-3](#) [1571987-4](#) [1571987-5](#) [1571989-7](#)
[1571988-5](#) [B123J77V7B2](#) [B226J50W4Q22P](#) [B433J37ZQ22M](#) [160212E](#) [1634200-7](#) [1801.1164](#) [1839.1502](#) [PANEL-PLUG-VHP-BLACK](#)
[PANEL-PLUG-VHP-WT](#) [K1ABBSCADN](#) [KG312A2DXD246X](#) [250011E714](#) [2600HM11E](#) [2600R21E](#) [2637LH/2A7/122048L0](#)
[2639LH/2A7/127000L0](#)