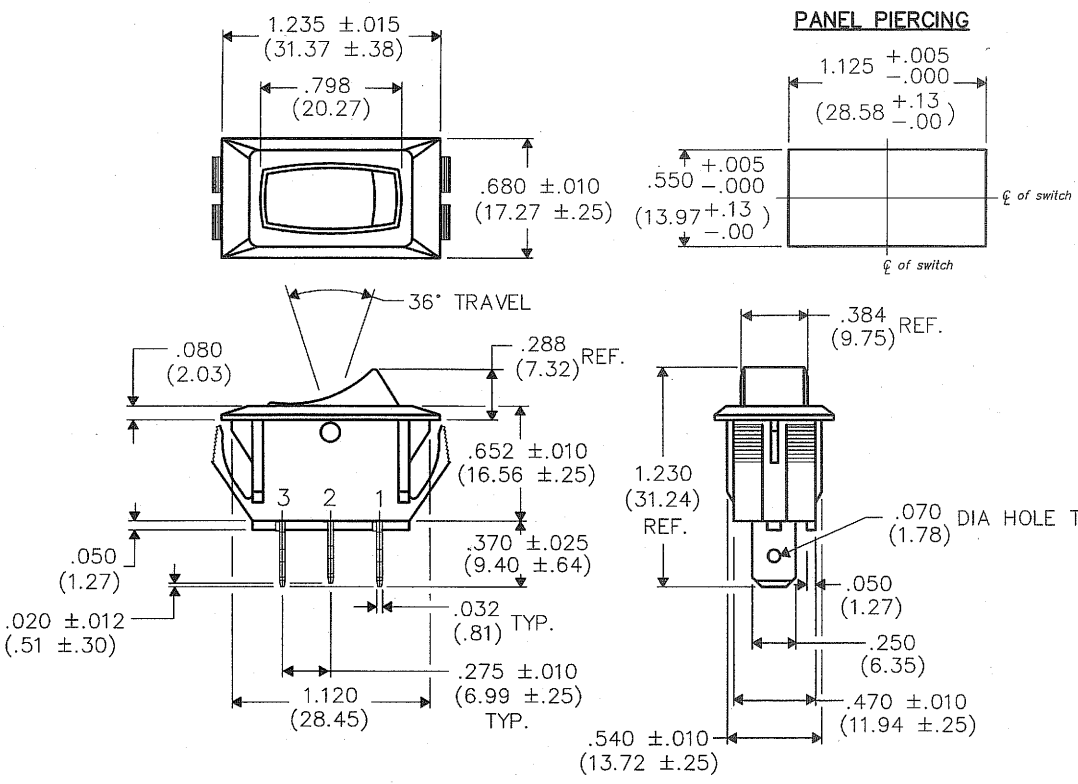


E  
 D  
 C  
 B  
 A



**MATERIAL:**  
 ROCKER KNOB & HOUSING—  
 High Temp. Nylon, Color— Black  
 MOVING CONTACT & TERMINALS—  
 Copper Alloy/Micro—Finish

**RATING:** UL/CSA/VDE  
 16A. 125V 12A. 250VAC  
 3/4 H.P. 125-250VAC  
 10A. 14VT 12(6)A. 250V ~ T85°

B-FORMAT 2002	<b>REVISIONS</b>	0	RELEASED: DGW 2-23-2012 FEB 23 2012							
---------------	------------------	---	---	--	--	--	--	--	--	--

PDF Made	<b>CW INDUSTRIES</b> Southampton, Pa. 18966	Title: <b>ROCKER SWITCH S.P.D.T. NO POLAR., NO BARR.</b>							
	<small>TOLERANCES UNLESS OTHERWISE SPECIFIED</small>								
	<table border="0"> <tr> <td>2 Place Decimal ±.010</td> <td>METRIC</td> </tr> <tr> <td>3 Place Decimal ±.005</td> <td>1 Place Dec. ±.25mm</td> </tr> <tr> <td>Angles ..... ±1°</td> <td>2 Place Dec. ±.13mm</td> </tr> </table>	2 Place Decimal ±.010	METRIC	3 Place Decimal ±.005	1 Place Dec. ±.25mm	Angles ..... ±1°	2 Place Dec. ±.13mm		
	2 Place Decimal ±.010	METRIC							
3 Place Decimal ±.005	1 Place Dec. ±.25mm								
Angles ..... ±1°	2 Place Dec. ±.13mm								
<table border="0"> <tr> <td>Made for: CW IND.</td> <td>Division: <b>SWITCH</b></td> </tr> <tr> <td>Drawn by: DGW 2-23-2012</td> <td>Dwg. No. <b>GRSH-2012-2600</b></td> </tr> <tr> <td>Checked by: <i>G. Guld 2-24-12</i></td> <td></td> </tr> <tr> <td>Approval: <i>G. Guld 2-24-12</i></td> <td></td> </tr> </table>	Made for: CW IND.	Division: <b>SWITCH</b>	Drawn by: DGW 2-23-2012	Dwg. No. <b>GRSH-2012-2600</b>	Checked by: <i>G. Guld 2-24-12</i>		Approval: <i>G. Guld 2-24-12</i>		
Made for: CW IND.	Division: <b>SWITCH</b>								
Drawn by: DGW 2-23-2012	Dwg. No. <b>GRSH-2012-2600</b>								
Checked by: <i>G. Guld 2-24-12</i>									
Approval: <i>G. Guld 2-24-12</i>									

MASTER

## X-ON Electronics

Largest Supplier of Electrical and Electronic Components

*Click to view similar products for [cw industries manufacturer](#):*

Other Similar products are found below :

[CWR-220-34-0003](#) [GRB244B802BR1](#) [CWN351-50-0000](#) [CWN370-50-0021](#) [CWR-280-09-0000](#) [CWN-362-50-0021](#) [SW-KIT](#) [CWR-217-60-0000](#) [CWR-227-50-0000](#) [G-386-0001](#) [CWN-350-14-0000](#) [CWR-183-37-0000](#) [GRS-2013C-0009](#) [CWR-210-40-0000](#) [CWN571-50-0021](#) [M83503/7-06](#) [CWN-300-34-0000](#) [CWN-571-60-0060](#) [G-107-SI-0005](#) [GRS-2012-2028](#) [CWN-321-10-0000](#) [CWN-370-16-0000](#) [GRS-4013A-0000](#) [GRS-2011-2410](#) [CWR-170-34-0000](#) [GF-1126-1110](#) [CWR-180-15-0000](#) [CWR-180-25-0203](#) [M83503/7-09](#) [GRB260C501BBRG1](#) [CWN-552-50-0021](#) [CWR-170-26-0000](#) [CWR-142-10-0203](#) [CWR-280-37-0203](#) [CWR-217-10-0000](#) [CWR-217-14-0000](#) [CWR-227-20-0203](#) [GRS-2011-2500](#) [CWR-130-40-0000](#) [CWR-142-60-0003](#) [CWN-350-40-0000](#) [CWR-220-16-0000](#) [CWR-210-26-0000](#) [GRB124A2NABA1](#) [CWR-227-40-0000](#) [GPB040A05BR](#) [CWR-227-20-0000](#) [CWN-320-10-0000](#) [GG-387-0015](#) [CWR-142-40-0203](#)