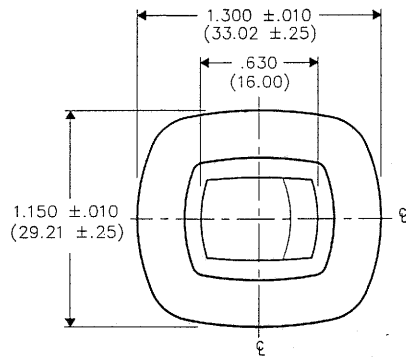


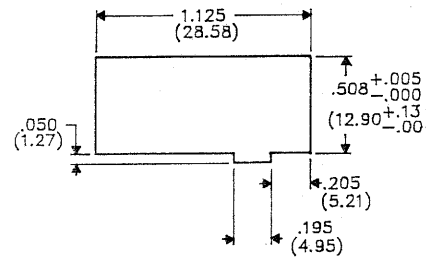
DIMENSIONS IN INCHES (MILLIMETERS)
DO NOT SCALE DRAWING...

Drawing No.
GRSV-4011-0011 THRU 0013

1 OF 2

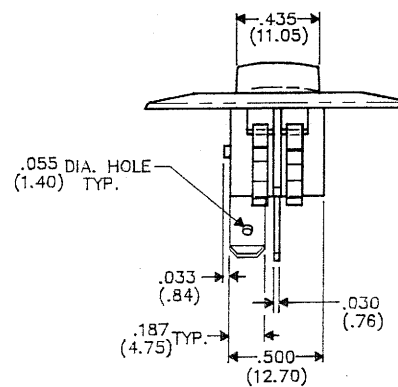
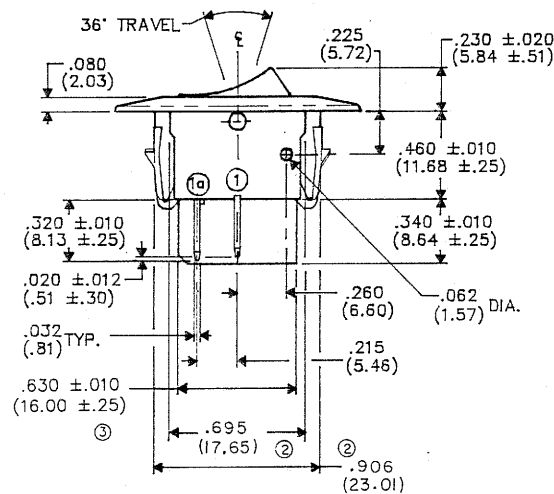
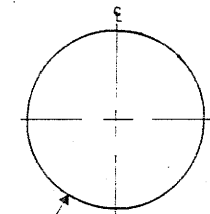


BACK PANEL PIERCING



GLASS PANEL PIERCING

.172 - .202 PANEL THICKNESS
(4.37 - 5.13)



PART NO.	MAT'L.	COLOR
-0011	VALOX	BLACK
-0012	VALOX	WT-1334
-0013	VALOX	ALMOND 50046

REVISIONS
1 RELEASED DGW 12-28-93
2 ADDED PAGE 2; DGW 1-24-94
3 .695 WAS .722 & .906 WAS .880 IN FRONT VIEW. DGW 1-15-95 G.G.
4 ADDED ±.010 TO .630 IN FRONT VIEW. IDCW 1-29-98 G.G.
5 REMOVED BULB PAD PRINT & DIM'S .180 REF. & .162 REF. FROM TOP VIEW. DGW 2-10-2005 G.G. FEB 11 2005

CW INDUSTRIES
Southampton, Pa. 18966

TOLERANCES UNLESS OTHERWISE SPECIFIED
2 Place decimal ±.010 METRIC
3 Place decimal ±.005 1 Place dec. ± .25 MM
Angles ± 1° 2 Place dec. ± 13 MM

Made for: GE

Drawn by: DGW 12-28-93

Checked by: G.G. 1-6-94

Approval: [Signature]

Title: SWIDGET CUSTOM S.P.- S.T.

Division: SWITCH

Drawing No: GRSV-4011-0011 THRU 0013

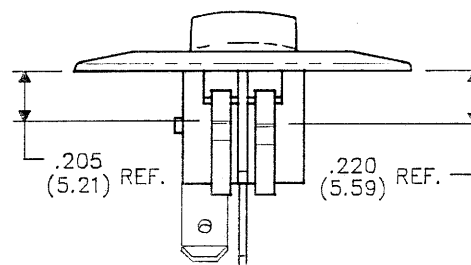
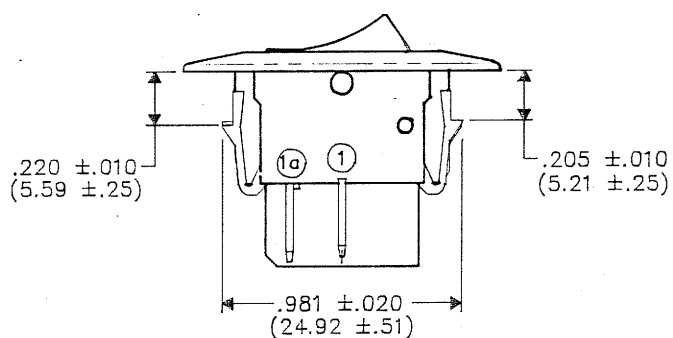
1 OF 2

B-FORM-0

DIMENSIONS IN INCHES (MILLIMETERS)
DO NOT SCALE DRAWING...

Drawing No.
GRSV-4011-0011 THRU 0013

2 OF 2



B-FORM-0

REVISIONS

0	RELEASED
	DGW 1-24-94

PDF File Made

CW INDUSTRIES Southampton, Pa. 18966	
TOLERANCES UNLESS OTHERWISE SPECIFIED	
2 Place decimal ±.010	METRIC
3 Place decimal ±.005	1 Place dec. ±.25 MM
Angles ±1°	2 Place dec. ±.13 MM
Made for	GE
Drawn by	DGW 1-24-94
Checked by	<i>[Signature]</i> 1/27/94
Approval	<i>[Signature]</i> 1-24-94

Title CLAW DETAILS	
Division SWITCH	
Drawing No. GRSV-4011-0011 THRU 0013	2 OF 2

X-ON Electronics

Largest Supplier of Electrical and Electronic Components

Click to view similar products for [Rocker Switches](#) category:

Click to view products by [CW Industries](#) manufacturer:

Other Similar products are found below :

[LTI LA6E-1S-WH-RC-FN12VXCR1](#) [6-1571986-9](#) [8007K26N324V52](#) [8055K32Z7V](#) [8055K52Z7V](#) [8138K20E6M50](#) [84206L](#) [84312LX](#)
[PREDD5-07F-BB0GW](#) [999-16716-002](#) [999-16716-003](#) [999-16716-004](#) [A101J1V3Q004](#) [A101J2ZQ004](#) [A101J4ZQ004](#) [A101J51CB0004](#)
[A103J1ZQ004](#) [A201J1AQ004](#) [A201J3ZB004](#) [A201J50ZQ004](#) [A203J51ZQ0004](#) [A435S1YZQ](#) [H8500XBBBBL-A](#) [H8653VBBG2577W](#)
[HB130CHNWWNAAC](#) [R13112ABB-602W](#) [1251.0303](#) [AE205J60V3B004](#) [1352.0107](#) [1571099-3](#) [1571987-4](#) [1571987-5](#) [1571989-7](#)
[1571988-5](#) [B123J77V7B2](#) [B226J50W4Q22P](#) [B433J37ZQ22M](#) [160212E](#) [1634200-7](#) [1801.1164](#) [1839.1502](#) [PANEL-PLUG-VHP-BLACK](#)
[PANEL-PLUG-VHP-WT](#) [K1ABBSCADN](#) [KG312A2DXD246X](#) [250011E714](#) [2600HM11E](#) [2600R21E](#) [2637LH/2A7/122048L0](#)
[2639LH/2A7/127000L0](#)