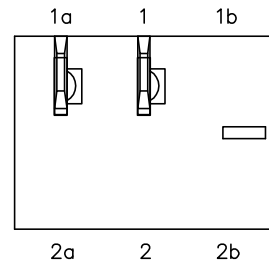
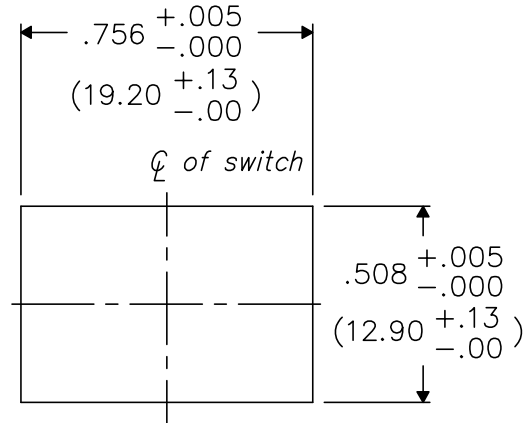
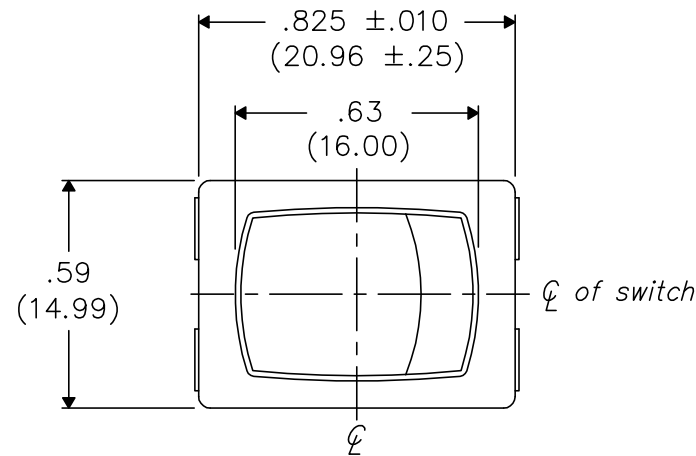


DIMENSIONS IN INCHES (MILLIMETERS)
DO NOT SCALE DRAWING

Dwg. No.
GRSV-4011B-0027 THRU -0029

PANEL PIERCING



BOTTOM VIEW
(RELOCATED)

MATERIAL:

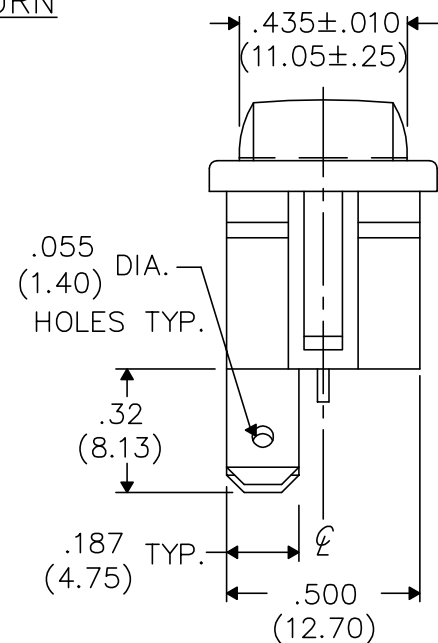
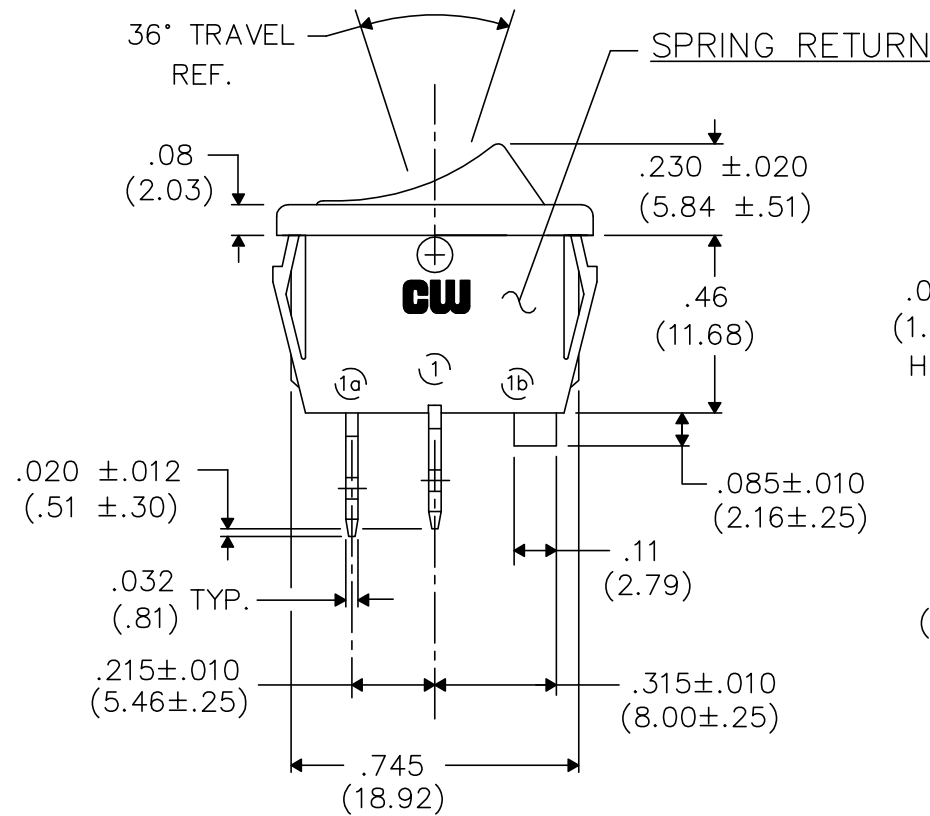
- Ⓢ ROCKER KNOB- Polyester or Hi-Temp Nylon- Color Per Chart
- Ⓢ HOUSING- Polyester or Hi-Temp Nylon- Color Per Chart
- MOVING CONTACT- Copper alloy, Clear Chromate Finish
- SPRING- music wire
- PLUNGER- plated steel
- TERMINAL- Copper Alloy, Clear Chromate Plated

PERFORMANCE STANDARDS-

- Endurance- 30,000 cycles, no load, minimum
10,000 cycles at rated load.
- Contact Resistance- less than .01 Ohm at 10 mA (initial)
- Operating Temperature- 105° C maximum
- High Voltage Dielectric Withstanding Voltage- 2,500 V,
60 Hz for 1 minute between mounting
surface and circuit connections
- HUMIDITY- Insulation resistance > 10³ MOhms after 100 hours
at 95% R.H. and 50° C followed by 1 hour dry
at ambient room conditions
- MOUNTING- Self locks without hardware when popped into
a .756"(19.20mm) x .508"(12.90mm) panel cutout.
Standard Panel thickness is .075"+.000" (1.91+0.00mm)
-.003" -0.08

CAUTION: Burr direction must be away from the direction
of insertion.

UL FILE NUMBER: E9556



ELECTROLUX #	CW #	COLOR CODE	COLOR	CIRCUIT	RATING	UL & CSA
316259800	GRSV-4011B-0027	EWC 7802 (CW Color # BK-000)	BLACK	SPST	13A 125V AC 10A 250V AC 1/2 H.P. 125-250V AC 5A 14V(T)	APPROVED
316259801	GRSV-4011B-0028	EWC 7804 (CW Color # WT-901)	WHITE	SPST		
316259802	GRSV-4011B-0029	EWC 7004 (CW Color # BN-129)	BISQUE	SPST		

REVISIONS	DATE	DESCRIPTION
0	6-09-2004	RELEASED. DVG 6-09-2004
1	9-09-2004	REDRAWN. DWG. NO. CHANGED FROM GRSV-4011B-0027 THRU -0029 TO GRSV-4011B-0027 THRU -0029. UPDATED ALL DIMENSIONS, NOTES & NUMBERS IN CHART. DVG 9-09-2004 CH 9/17/04
2	1-27-2005	ADDED OR HI-TEMP NYLON TO KNOB & HOUSING POLYESTER MATERIAL. BK-000 WAS BK-001 IN COLOR CODE IN CW# -0027. DVG 1-27-2005 GG FEB. 15, 2005

1	2	3	4	5	6	7	8	9	10
---	---	---	---	---	---	---	---	---	----

CW INDUSTRIES
Southampton, Pa. 18966

TOLERANCES UNLESS OTHERWISE SPECIFIED

2 Place Decimal ±.010	METRIC
3 Place Decimal ±.005	1 Place Dec. ±.25mm
Angles ±1°	2 Place Dec. ±.13mm

Made for: CW IND.

Drawn by: DVG 6-09-2004

Checked by: AH 9/17/04

Approval: CH 9/17/04

Title: **ROCKER SWIDGET ASSEMBLY (POP IN) SP/ST-MOMENTARY-ON**

Division: SWITCH

Dwg. No. GRSV-4011B-0027 THRU -0029

X-ON Electronics

Largest Supplier of Electrical and Electronic Components

Click to view similar products for [Rocker Switches](#) category:

Click to view products by [CW Industries](#) manufacturer:

Other Similar products are found below :

[LTILA6E-1S-WH-RC-FN12VXCR1](#) [6-1571986-9](#) [8007K26N324V52](#) [8055K23Z7V](#) [8055K32Z7V](#) [8055K52Z7V](#) [8138K20E6M50](#) [84206L](#)
[84312LX](#) [PREDD5-07F-BB0GW](#) [999-16716-002](#) [999-16716-003](#) [999-16716-004](#) [A101J1V3Q004](#) [A101J2ZQ004](#) [A101J4ZQ004](#)
[A101J51CB0004](#) [A103J1ZQ004](#) [A201J1AQ004](#) [A201J3ZB004](#) [A201J50ZQ004](#) [A203J51ZQ0004](#) [A435S1YZQ](#) [H8500XBBBBL-A](#)
[H8653VBBG2577W](#) [HB130CHNWWNAAC](#) [R13112ABB-602W](#) [1251.0303](#) [AE205J60V3B004](#) [1352.0107](#) [1571099-3](#) [1571987-4](#)
[1571987-5](#) [1571989-7](#) [1571988-5](#) [B123J77V7B2](#) [B226J50W4Q22P](#) [B433J37ZQ22M](#) [160212E](#) [1634200-7](#) [1801.1164](#) [1839.1502](#) [PANEL-](#)
[PLUG-VHP-BLACK](#) [PANEL-PLUG-VHP-WT](#) [K1ABBSCADN](#) [KG312A2DXD246X](#) [250011E714](#) [2600HM11E](#) [2600R21E](#) [260413E](#)