



LLF Series

Vertical Fast Lift Float switches



- Operates in 10mm minimum liquid
- 50mm & 200mm length versions
- Vertical mount M12 or M16
- Many variants are UL recognised components File No. E171218
- Will operate in low SG (0.45)

Technical Specification

Material	LLF59	LLF69
Stem	Nylon	PPS
Float	Buna	Buna
Temp. Range °C	-20 / +75	
°F	-4 / +167	
Min. Fluid SG	0.45	
Must close level (SG=1)	10mm	
Must open level (SG=1)	12mm	

Electrical Specification

Contact Form	N/O (N/C)	
Switching Power Max	VA	25
Switching Voltage AC Max	V	240
Switching Voltage DC Max	V	120
Switching Current Max	A	0.6

All ratings are for resistive load only.

Standard Parts

Standard Parts	Material	Approvals	Switch Action	Leadouts	Gasket
LLF59Y100JC	Nylon/Buna	UL	Make on rise	100cm 2 core PVC 7/0.2	Nitrile
LLF59Y100JC004	Nylon/Buna	UL	Make on fall	100cm 2 core PVC 7/0.2	Nitrile
LLF69A198	PPS/Buna	UL	Make on rise	100cm 2 core PVC 7/0.2	Nitrile
LLF69B198	PPS/Buna	UL	Make on fall	100cm 2 core PVC 7/0.2	Nitrile

Custom versions can be made for particular applications. Please contact Cynergy3 with your requirements.

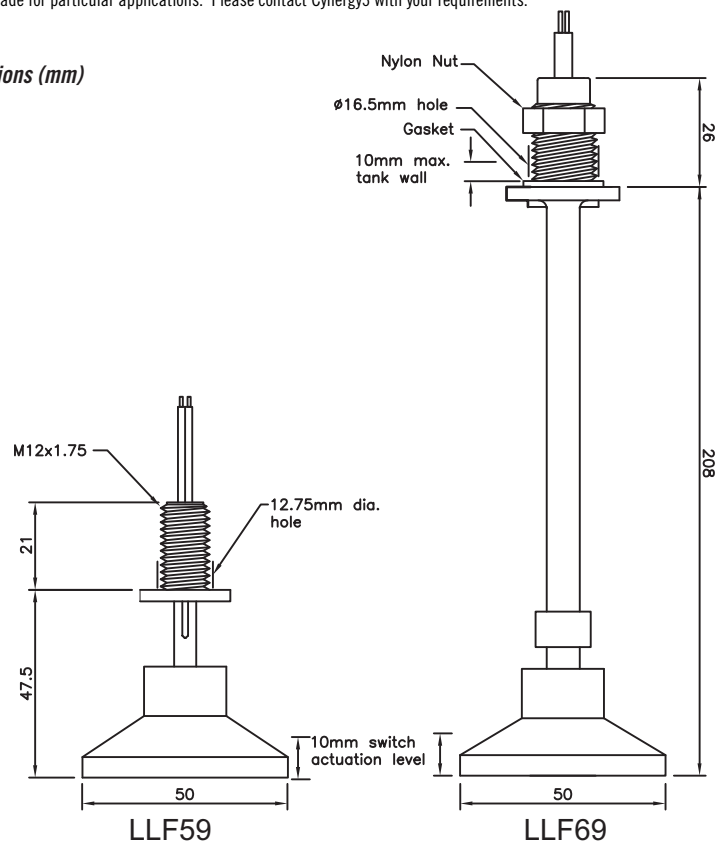
The LLF series of vertical float switches have been developed for applications where very low liquid levels need to be detected.

The LLF uses a large diameter Buna float to allow operation in SG as low as 0.45. The switch is capable of operating in as low as 6mm of water.

Two standard lengths are available with either make on rise or make on fall switching action.

Typical uses include drip tanks, hatch alarms and other applications where highly sensitive liquid detection is required.

Mechanical Dimensions (mm)



Cynergy3 Components Ltd.
7 Cobham Road
Ferndown Industrial Estate
Wimborne, Dorset BH21 7PE
Telephone +44 (0) 1202 897969

Email: sales@cynergy3.com

ISO9001 CERTIFIED

www.cynergy3.com

X-ON Electronics

Largest Supplier of Electrical and Electronic Components

Click to view similar products for [Fiber Optic Sensors](#) category:

Click to view products by [Cynergy3](#) manufacturer:

Other Similar products are found below :

[F04MA03123](#) [E32L56E1](#) [E32L56E2](#) [E32-L25T](#) [E32-T21L](#) [E32-T14 5M](#) [E32-CC200R](#) [E32-T16 5M](#) [E32-D15Z 2M](#) [E32-D15XR 2M](#) [E32-T25ZR 2M](#) [E32-T22R 2M](#) [E32-L11FP 2M](#) [E32-LD11 2M](#) [E32-DC200FR](#) [E32-L12FS 2M](#) [E32-D61 5M](#) [E32-A08 2M](#) [E32-D61-S 5M](#) [E32-T22SR 2M](#) [E32-LD11N 2M](#) [E32-L12FS 5M](#) [E32-T16P 5M](#) [E32-L11FS 5M](#) [E32-D11 10M](#) [E32-J1R 20M](#) [E32-T12L 5M](#) [E32-D21N 2M](#) [E32-LT11 2M](#) [E32-D21N 5M](#) [E32-TC300](#) [E32-TC200C](#) [E32-T61-S 5M](#) [E32-T51V 1M](#) [E32-T33-S5 1M](#) [E32-T25XB 2M](#) [E32-T24 5M](#) [E32-T15XR 2M](#) [E32-T11 5M](#) [E32-LT11R2M](#) [E32-L11FS 2M](#) [E32-L11FP 5M](#) [E32-ETS24R 2M](#) [E32-DC200BR](#) [E32-D36T 2M](#) [E32-D25Z 2M](#) [E32-D11R 5M](#) [CCS-NFCB3](#) [CCS-NFCB2-3](#) [E32-DC200F4R](#)