

# SSV66A-34N Series Drum level switches

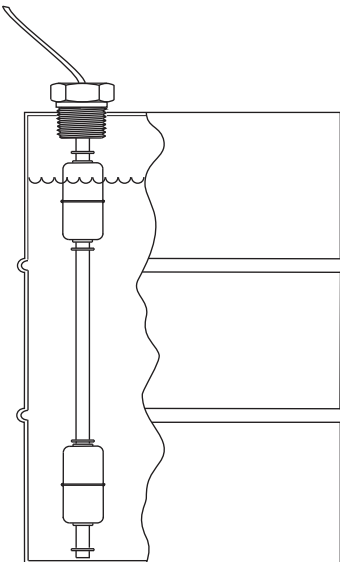


SSV66 series float switches are designed to offer High, Low or High & Low level monitoring for 45 gallon drums or similar height tanks.

These switches can be fitted from the outside of the drum, through the 3/4" NPT bung hole, or via a 3/4" NPT boss on a tank.

High level indication is at 24mm from the lower end of the mounting thread. Low level indication is at 813mm from the lower end of the mounting thread.

Switching actions can be changed by removing the respective float, inverting it and the refitting to the stem tube.



- 45 Gallon drum high/low levels
- External mount (3/4" NPT)
- Flying lead or 4 pin M12 connection
- High level 24mm, High level 84mm, Low level 813mm or High & Low levels
- Stainless steel 316L

### Technical Specification

|                       |             |                                  |                 |
|-----------------------|-------------|----------------------------------|-----------------|
| Mounting style        | External    | Cable length - standard          | 100cm/M12 Plug  |
| Mounting thread       | 3/4" NPT    | Cable size                       | 17/0.10 - AWG22 |
| Float & Stem material | 316grade SS | Cable conductor material         | Tinned copper   |
| Maximum Temperature   | 120°C       | Cable sheath material            | Silicone        |
| Maximum pressure      | 30 bar      | Cable temperature rating         | 125°C           |
| Float SG              | 0.84        | Sealing gasket                   | Not supplied    |
| Minimum fluid SG      | 0.85        | Tightening torque for fixing nut | 2.0kg/cm        |

### Electrical Specification

|                          |    |           |
|--------------------------|----|-----------|
| Contact Form             |    | N/O (N/C) |
| Switching Power Max      | VA | 50        |
| Switching Voltage AC Max | V  | 300       |
| Switching Voltage DC Max | V  | 300       |
| Switching Current Max    | A  | 0.5       |

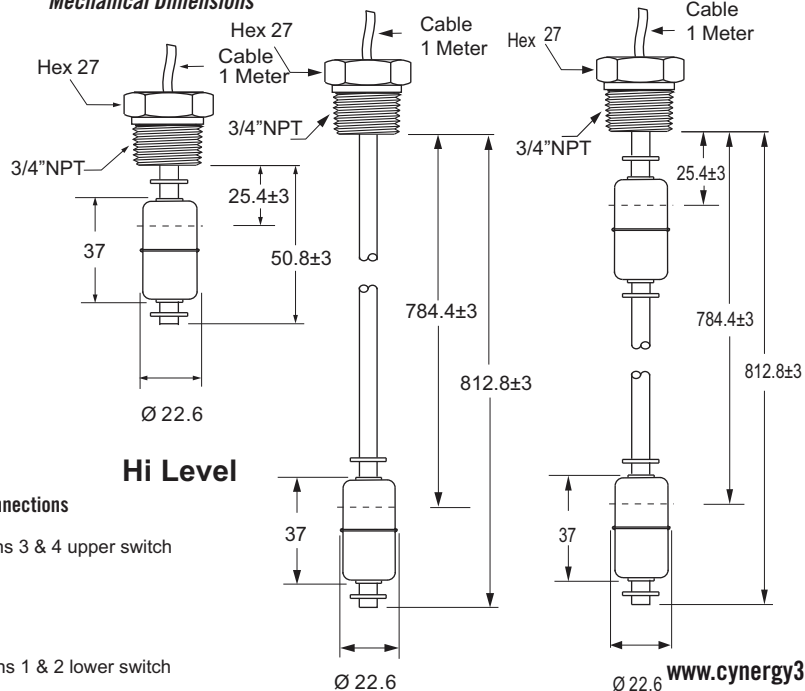
All ratings are for resistive load only.

### Standard Parts

| Standard Parts      | Material | Levels     | Max Power | Leadouts              |
|---------------------|----------|------------|-----------|-----------------------|
| SSV66A24E34N183     | SS 316L  | 24mm       | 50VA      | 100cm Silicone 17/0.1 |
| SSV66A24E34NP       | SS 316L  | 24mm       | 50VA      | M12 Connector         |
| SSV66A84E34NP       | SS 316L  | 84mm       | 50VA      | M12 Connector         |
| SSV66A813E34N183    | SS 316L  | 813mm      | 50VA      | 100cm Silicone 17/0.1 |
| SSV66A813E34NP      | SS 316L  | 813mm      | 50VA      | M12 Connector         |
| SSV66A24A813E34N183 | SS 316L  | 24 & 813mm | 50VA      | 100cm Silicone 17/0.1 |
| SSV66A24A813E34NP   | SS 316L  | 24 & 813mm | 50VA      | M12 Connector         |

Custom versions can be made for particular applications. Please contact Cynergy3 with your requirements.

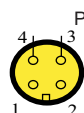
### Mechanical Dimensions



Cynergy3 Components Ltd.  
7 Cobham Road  
Ferndown Industrial Estate  
Wimborne, Dorset BH21 7PE  
Telephone +44 (0) 1202 897969

Email: sales@cynergy3.com

### M12 Plug connections



Pins 3 & 4 upper switch

Pins 1 & 2 lower switch

ISO9001 CERTIFIED

SSV66A-34N 2015

## X-ON Electronics

Largest Supplier of Electrical and Electronic Components

*Click to view similar products for [Liquid Level Sensors](#) category:*

*Click to view products by [Cynergy3](#) manufacturer:*

Other Similar products are found below :

[F03-16PT-1M](#) [FSH-21](#) [FSH-25](#) [FSH-34](#) [FSH-35](#) [FSV-31](#) [FSV-35](#) [LRNH31S41](#) [FSH-31](#) [RSF14Y100RF](#) [F03-16PT-10M](#) [LL01-1AB01](#)  
[F03-16PS-F](#) [F03-16SF-5M](#) [F03-16PE-5M](#) [F03-16PT-5M](#) [K7L-U](#) [LBFS 1151](#) [LL8951T5](#) [SCN-1518SC](#) [LL103000](#) [LRNR31N01](#) [K7L-](#)  
[AT50DB](#) [F03-16PT-2M](#) [14102](#) [RSF107H100GV](#) [MS03-PP](#) [KSL-100-1](#) [LS01-1A66-PP-2000W](#) [LS01-1B66-PP-500W](#) [LS02-1A66-S-500W](#)  
[LS02-1B66-S-500W](#) [LS02-1B85-PP-5000W](#) [LS03-1A85-PP-500W](#) [LS03/DL-1A85-PA-500W](#) [RSF26H050TG](#) [EL-10N](#) [EL-3N](#) [LL01-](#)  
[1AA01](#) [LRNH31S42](#) [MS10C](#) [SSH66XE34N100](#) [SSH66TE34N100S](#) [TSF76H100DN](#) [TSF76H050TV](#) [OLS500D3L](#) [RSF88Y100R](#)  
[RSF76Y100RN](#) [RSF54Y100RC](#) [RSF53Y100RC](#)