

# Three-PLL General Purpose Flash-Programmable Clock Generator

## Features

- Three Integrated Phase-locked Loops
- Ultra Wide Divide Counters (8-bit Q, 11-bit P, and 7-bit Post Divide)
- Improved Linear Crystal Load Capacitors
- Flash Programmability
- Field-Programmable
- Low-jitter, High-accuracy Outputs
- Power Management Options (Shutdown, OE, Suspend)
- Configurable Crystal Drive Strength
- Frequency Select through three External LVTTTL Inputs
- 3.3 V Operation
- 16-pin TSSOP and SOIC Packages
- CyClocksRT™ Support

## Benefits

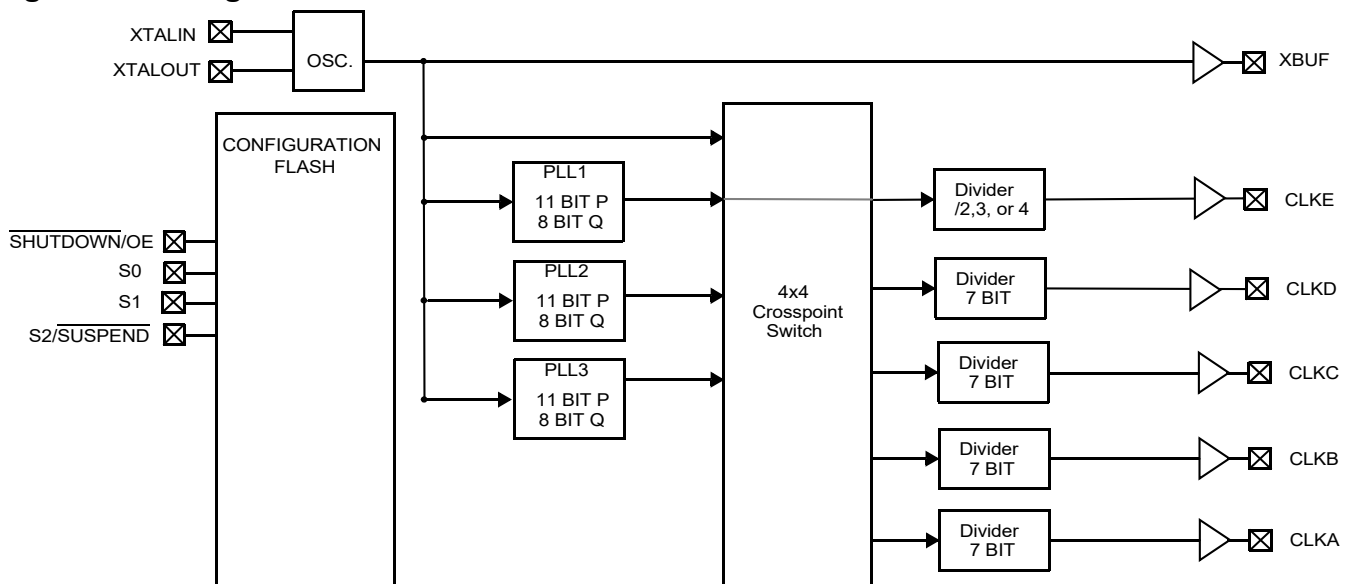
- Generates up to three unique frequencies on six outputs up to 200 MHz from an external source. Functional upgrade for current CY2292 family.
- Enables 0 ppm frequency generation and frequency conversion under the most demanding applications.

- Improves frequency accuracy over temperature, age, process, and initial offset.
- Nonvolatile programming enables easy customization, fast turnaround, performance tweaking, design timing margin testing, inventory control, lower part count, and more secure product supply. In addition, any part in the family can also be programmed multiple times, which reduces programming errors and provides an easy upgrade path for existing designs.
- In-house programming of samples and prototype quantities is available using the CY3672 development kit. Production quantities are available through Cypress Semiconductor's value added distribution partners or by using third party programmers from BP Microsystems, HiLo Systems, and others.
- Performance suitable for high-end multimedia, communications, industrial, A/D Converters, and consumer applications.
- Supports numerous low power application schemes and reduces EMI by enabling unused outputs to be turned off.
- Adjusts crystal drive strength for compatibility with virtually all crystals. 3-bit external frequency select options for PLL1, CLKA, and CLKB.
- Industry-standard supply voltage. Industry-standard packaging saves on board space. Easy to use software support for design entry.

## Functional Description

For a complete list of related documentation, click [here](#).

## Logic Block Diagram

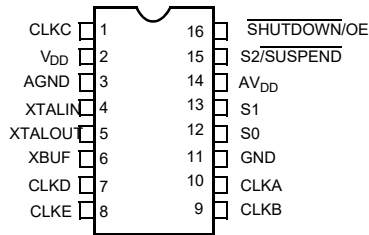


## Contents

<b>Pin Configurations</b> .....	<b>3</b>	<b>Test Circuit</b> .....	<b>7</b>
<b>Pin Definitions</b> .....	<b>3</b>	<b>Ordering Information</b> .....	<b>8</b>
<b>Operation</b> .....	<b>4</b>	Possible Configurations .....	8
Configurable PLLs .....	4	Ordering Code Definitions .....	9
General Purpose Inputs .....	4	<b>Package Diagrams</b> .....	<b>10</b>
Crystal Input .....	4	<b>Acronyms</b> .....	<b>11</b>
Output Configuration .....	4	<b>Document Conventions</b> .....	<b>11</b>
Power Saving Features .....	4	Units of Measure .....	11
Improving Jitter .....	5	<b>Document History Page</b> .....	<b>12</b>
Power Supply Sequencing .....	5	<b>Sales, Solutions, and Legal Information</b> .....	<b>14</b>
<b>CyberClocks™ Software</b> .....	<b>5</b>	Worldwide Sales and Design Support .....	14
<b>Device Programming</b> .....	<b>5</b>	Products .....	14
<b>Junction Temperature Limitations</b> .....	<b>5</b>	PSoC@Solutions .....	14
<b>Maximum Ratings</b> .....	<b>5</b>	Cypress Developer Community .....	14
<b>Operating Conditions</b> .....	<b>5</b>	Technical Support .....	14
<b>Electrical Characteristics</b> .....	<b>6</b>		
<b>Switching Characteristics</b> .....	<b>6</b>		
<b>Switching Waveforms</b> .....	<b>7</b>		

## Pin Configurations

Figure 1. 16-pin TSSOP / 16-pin SOIC pinout



## Pin Definitions

Name	Pin Number	Description
CLKC	1	Configurable clock output C
V <sub>DD</sub>	2	Power supply
AGND	3	Analog Ground
XTALIN	4	Reference crystal input or external reference clock input
XTALOUT	5	Reference crystal feedback
XBUF	6	Buffered reference clock output
CLKD	7	Configurable clock output D
CLKE	8	Configurable clock output E
CLKB	9	Configurable clock output B
CLKA	10	Configurable clock output A
GND	11	Ground
S0	12	General Purpose Input for Frequency Control; bit 0
S1	13	General Purpose Input for Frequency Control; bit 1
AV <sub>DD</sub>	14	Analog Power Supply
S2/SUSPEND	15	General Purpose Input for Frequency Control; bit 2. Optionally Suspend mode control input.
SHUTDOWN/OE	16	Places outputs in three-state condition and shuts down chip when Low. Optionally, only places outputs in tristate condition and does not shut down chip when Low.

## Operation

The CY22392 is an upgrade to the existing CY2292. The new device has a wider frequency range, greater flexibility, improved performance, and incorporates many features that reduce PLL sensitivity to external system issues.

The device has three PLLs which, when combined with the reference, enable up to four independent frequencies to be output on up to six pins. These three PLLs are completely programmable.

### Configurable PLLs

PLL1 generates a frequency that is equal to the reference divided by an 8-bit divider (Q) and multiplied by an 11-bit divider in the PLL feedback loop (P). The output of PLL1 is sent to the crosspoint switch. The output of PLL1 is also sent to a /2, /3, or /4 synchronous post-divider that is output through CLKE. The frequency of PLL1 can be changed by external CMOS inputs, S0, S1, S2. See the following section on General Purpose Inputs for more details.

PLL2 generates a frequency that is equal to the reference divided by an 8-bit divider (Q) and multiplied by an 11-bit divider in the PLL feedback loop (P). The output of PLL2 is sent to the crosspoint switch.

PLL3 generates a frequency that is equal to the reference divided by an 8-bit divider (Q) and multiplied by an 11-bit divider in the PLL feedback loop (P). The output of PLL3 is sent to the cross-point switch.

### General Purpose Inputs

S0, S1, and S2 are general purpose inputs that can be programmed to enable eight different frequency settings. Options that may be switched with these general purpose inputs are as follows: the frequency of PLL1, the output divider of CLKB, and the output divider of CLKA.

CLKA and CLKB both have 7-bit dividers that point to one of two programmable settings (register 0 and register 1). Both clocks share a single register control, so both must be set to register 0, or both must be set to register 1.

For example, the part may be programmed to use S0, S1, and S2 (0, 0, 0 to 1, 1, 1) to control eight different values of P and Q on PLL1. For each PLL1 P and Q setting, one of the two CLKA and CLKB divider registers can be chosen. Any divider change as a result of switching S0, S1, or S2 is guaranteed to be glitch free.

### Crystal Input

The input crystal oscillator is an important feature of this device because of its flexibility and performance features.

The oscillator inverter has programmable drive strength. This enables maximum compatibility with crystals from various manufacturers, processes, performances, and qualities.

The input load capacitors are placed on-die to reduce external component cost. These capacitors are true parallel-plate capacitors for ultra-linear performance. These were chosen to reduce the frequency shift that occurs when non-linear load capacitance interacts with load, bias, supply, and temperature changes. Non-linear (FET gate) crystal load capacitors must not be used for MPEG, POTS dial tone, communications, or other

applications that are sensitive to absolute frequency requirements.

The value of the load capacitors is determined by six bits in a programmable register. The load capacitance can be set with a resolution of 0.375 pF for a total crystal load range of 6 pF to 30 pF.

For driven clock inputs the input load capacitors may be completely bypassed. This enables the clock chip to accept driven frequency inputs up to 166 MHz. If the application requires a driven input, then XTALOUT must be left floating.

### Output Configuration

Under normal operation there are four internal frequency sources that may be routed through a programmable crosspoint switch to any of the four programmable 7-bit output dividers. The four sources are: reference, PLL1, PLL2, and PLL3. In addition, many outputs have a unique capability for even greater flexibility. The following is a description of each output.

CLKA's output originates from the crosspoint switch and goes through a programmable 7-bit post divider. The 7-bit post divider derives its value from one of two programmable registers. Each of the eight possible combinations of S0, S1, S2 controls which of the two programmable registers is loaded into CLKA's 7-bit post divider. See the section [General Purpose Inputs](#) for more information.

CLKB's output originates from the crosspoint switch and goes through a programmable 7-bit post divider. The 7-bit post divider derives its value from one of two programmable registers. Each of the eight possible combinations of S0, S1, and S2 controls which of the two programmable registers is loaded into CLKA's 7-bit post divider. See the section [General Purpose Inputs](#) for more information.

CLKC's output originates from the crosspoint switch and goes through a programmable 7-bit post divider. The 7-bit post divider derives its value from one programmable register.

CLKD's output originates from the crosspoint switch and goes through a programmable 7-bit post divider. The 7-bit post divider derives its value from one programmable register.

CLKE's output originates from PLL1 and goes through a post divider that may be programmed to /2, /3, or /4.

XBUF is simply the buffered reference.

The clock outputs have been designed to drive a single point load with a total lumped load capacitance of 15 pF. While driving multiple loads is possible with proper termination, it is generally not recommended.

### Power Saving Features

The SHUTDOWN/OE input tristates the outputs when pulled low. If system shutdown is enabled, a Low on this pin also shuts off the PLLs, counters, the reference oscillator, and all other active components. The resulting current on the V<sub>DD</sub> pins is less than 5  $\mu$ A (typical). After leaving shutdown mode, the PLLs must reload.

The S2/SUSPEND input can be configured to shut down a customizable set of outputs and/or PLLs, when LOW. All PLLs and any of the outputs can be shut off in nearly any combination. The only limitation is that if a PLL is shut off, all outputs derived from it must also be shut off. Suspending a PLL shuts off all

associated logic, while suspending an output simply forces a tristate condition.

### Improving Jitter

Jitter Optimization Control is useful in mitigating problems related to similar clocks switching at the same moment, causing excess jitter. If one PLL is driving more than one output, the negative phase of the PLL can be selected for one of the outputs (CLKA–CLKD). This prevents the output edges from aligning, enabling superior jitter performance.

### Power Supply Sequencing

For parts with multiple V<sub>DD</sub> pins, there are no power supply sequencing requirements. The part is not fully operational until all V<sub>DD</sub> pins have been brought up to the voltages specified in the [Operating Conditions](#). All grounds must be connected to the same ground plane.

### CyberClocks™ Software

The CyberClocks application enables users to configure this device. Within CyberClocks, select the CyClocksRT tool. The easy-to-use interface offers complete control of the many features of this family including input frequency, PLL, output frequencies, and different functional options. Data sheet frequency range limitations are checked and performance tuning is automatically applied. CyClocksRT also has a power estimation feature that enables you to see the power consumption of your specific configuration. Download a copy of CyberClocks free on Cypress's web site at [www.cypress.com](http://www.cypress.com). Install and run it on any PC running Windows.

### Device Programming

Part numbers starting with CY22392F are 'field programmable' devices. Field programmable devices are shipped

unprogrammed, and must be programmed prior to installation on a PCB. After a programming file (.jed) is created using CyberClocks software, devices can be programmed in small quantities using the CY3672 programmer and CY3698 [1] adapter. Volume programming is available through Cypress Semiconductor's value added distribution partners or by using third party programmers from BP Microsystems, HiLo Systems, and others. For sufficiently large volumes, Cypress can supply pre-programmed devices with a part number extension that is configuration-specific.

### Junction Temperature Limitations

It is possible to program the CY22392 such that the maximum junction temperature rating is exceeded. The package  $\theta_{JA}$  is 115 °C/W. Use the CyClocksRT power estimation feature to verify that the programmed configuration meets the junction temperature and package power dissipation maximum ratings.

### Maximum Ratings

Exceeding maximum ratings may shorten the useful life of the device. User guidelines are not tested.

Supply Voltage .....	-0.5 V to +7.0 V
DC Input Voltage .....	-0.5 V to + (AV <sub>DD</sub> + 0.5 V)
Storage Temperature .....	-65 °C to +125 °C
Junction Temperature .....	125 °C
Data Retention at T <sub>j</sub> = 125 °C .....	> 10 years
Maximum Programming Cycles .....	100
Package Power Dissipation .....	350 mW
Static Discharge Voltage (per MIL-STD-883, Method 3015) .....	2000 V
Latch up (according to JEDEC 17) .....	≥ ±200 mA

### Operating Conditions

The following table lists the recommended operating conditions. [2]

Parameter	Description	Min	Typ	Max	Unit
V <sub>DD</sub> /AV <sub>DD</sub>	Supply Voltage	3.135	3.3	3.465	V
T <sub>A</sub>	Commercial Operating Temperature, Ambient	0	–	+70	°C
	Industrial Operating Temperature, Ambient	-40	–	+85	°C
C <sub>LOAD_OUT</sub>	Maximum Load Capacitance	–	–	15	pF
f <sub>REF</sub>	External Reference Crystal	8	–	30	MHz
	External Reference Clock [3], Commercial	1	–	166	MHz
	External Reference Clock [3], Industrial	1	–	150	MHz
t <sub>PU</sub>	Power up time for all VDD's to reach minimum specified voltage (power ramps must be monotonic)	0.05	–	500	ms

#### Notes

1. Programming of only 16-pin TSSOP package is supported by CY3698. For programming support of 16-pin SOIC package, contact your local FAE.
2. Unless otherwise noted, Electrical and Switching Characteristics are guaranteed across these operating conditions.
3. External input reference clock must have a duty cycle between 40% and 60%, measured at V<sub>DD</sub>/2.

## Electrical Characteristics

Parameter	Description	Conditions	Min	Typ	Max	Unit
$I_{OH}$	Output High Current <sup>[4]</sup>	$V_{OH} = V_{DD} - 0.5 \text{ V}$ , $V_{DD} = 3.3 \text{ V}$	12	24	–	mA
$I_{OL}$	Output Low Current <sup>[4]</sup>	$V_{OL} = 0.5 \text{ V}$ , $V_{DD} = 3.3 \text{ V}$	12	24	–	mA
$C_{XTAL\_MIN}$	Crystal Load Capacitance <sup>[4]</sup>	Capload at minimum setting	–	6	–	pF
$C_{XTAL\_MAX}$	Crystal Load Capacitance <sup>[4]</sup>	Capload at maximum setting	–	30	–	pF
$C_{LOAD\_IN}$	Input Pin Capacitance <sup>[4]</sup>	Except crystal pins	–	7	–	pF
$V_{IH}$	High Level Input Voltage	CMOS levels, % of $AV_{DD}$	70%	–	–	$AV_{DD}$
$V_{IL}$	Low Level Input Voltage	CMOS levels, % of $AV_{DD}$	–	–	30%	$AV_{DD}$
$I_{IH}$	Input High Current	$V_{IN} = AV_{DD} - 0.3 \text{ V}$	–	<1	10	$\mu\text{A}$
$I_{IL}$	Input Low Current	$V_{IN} = +0.3 \text{ V}$	–	<1	10	$\mu\text{A}$
$I_{OZ}$	Output Leakage Current	Three-state outputs	–	–	10	$\mu\text{A}$
$I_{DD}$	Total Power Supply Current	3.3 V Power Supply; 2 outputs at 166 MHz; 4 outputs at 83 MHz	–	100	–	mA
		3.3 V Power Supply; 2 outputs at 20 MHz; 4 outputs at 40 MHz	–	50	–	mA
$I_{DDS}$	Total Power Supply Current in Shutdown Mode	Shutdown active	–	5	20	$\mu\text{A}$

## Switching Characteristics

Parameter	Name	Description	Min	Typ	Max	Unit
$1/t_1$	Output Frequency <sup>[4, 5]</sup>	Clock output limit, Commercial	–	–	200	MHz
		Clock output limit, Industrial	–	–	166	MHz
$t_2$	Output Duty Cycle <sup>[4, 6]</sup>	Duty cycle for outputs, defined as $t_2 \div t_1$ , $F_{out} < 100 \text{ MHz}$ , divider $\geq 2$ , measured at $V_{DD}/2$	45%	50%	55%	
		Duty cycle for outputs, defined as $t_2 \div t_1$ , $F_{out} > 100 \text{ MHz}$ or divider = 1, measured at $V_{DD}/2$	40%	50%	60%	
$t_3$	Rising Edge Slew Rate <sup>[4]</sup>	Output clock rise time, 20% to 80% of $V_{DD}$	0.75	1.4	–	V/ns
$t_4$	Falling Edge Slew Rate <sup>[4]</sup>	Output clock fall time, 80% to 20% of $V_{DD}$	0.75	1.4	–	V/ns
$t_5$	Output three-state Timing <sup>[4]</sup>	Time for output to enter or leave three-state mode after SHUTDOWN/OE switches	–	150	300	ns
$t_6$	Clock Jitter <sup>[4, 7]</sup>	Peak-to-peak period jitter, CLK outputs measured at $V_{DD}/2$	–	400	–	ps
$t_7$	Lock Time <sup>[4]</sup>	PLL Lock Time from Power up	–	1.0	3	ms

### Notes

4. Guaranteed by design, not 100% tested.
5. Guaranteed to meet 20%–80% output thresholds and duty cycle specifications.
6. Reference Output duty cycle depends on XTALIN duty cycle.
7. Jitter varies significantly with configuration. Reference Output jitter depends on XTALIN jitter and edge rate.

## Switching Waveforms

Figure 2. All Outputs, Duty Cycle, and Rise/Fall Time

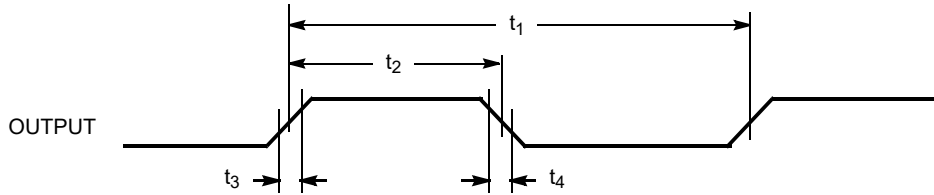


Figure 3. Output Three-State Timing

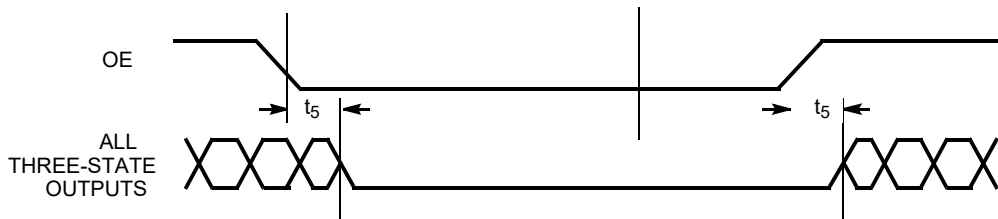


Figure 4. CLK Output Jitter

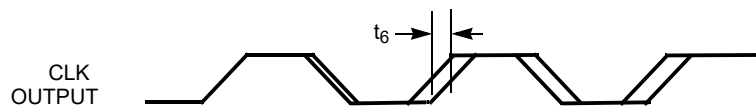
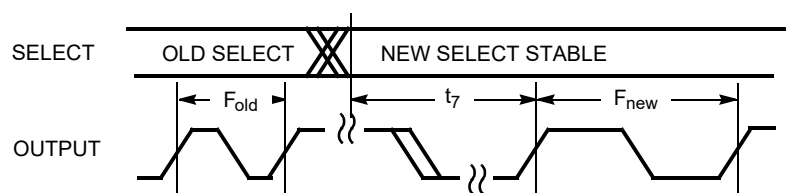
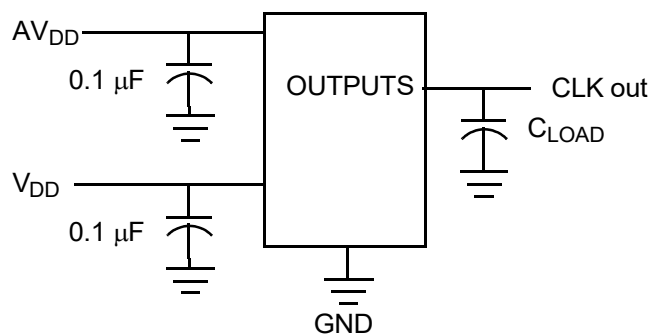


Figure 5. Frequency Change



## Test Circuit

Figure 6. Test Circuit



## Ordering Information

Ordering Code	Package Name	Package Type	Operating Range	Operating Voltage
Pb-free				
CY22392FXC	ZZ16	16-pin TSSOP	Commercial (T <sub>A</sub> = 0 °C to 70 °C)	3.3 V
CY22392FXCT	ZZ16	16-pin TSSOP – Tape and Reel	Commercial (T <sub>A</sub> = 0 °C to 70 °C)	3.3 V
CY22392FXI	ZZ16	16-pin TSSOP	Industrial (T <sub>A</sub> = –40 °C to 85 °C)	3.3 V
CY22392FXIT	ZZ16	16-pin TSSOP – Tape and Reel	Industrial (T <sub>A</sub> = –40 °C to 85 °C)	3.3 V
<b>Programmer</b>				
CY3675-CLKMAKER1 <sup>[8]</sup>	Only for TSSOP (ZZ16) package	CY22392, CY22393, CY22394, CY22395 Adapter Board for TSSOP16A Devices		

Some product offerings are factory programmed customer specific devices with customized part numbers. The Possible Configurations table shows the available device types, but not complete part numbers. Contact your local Cypress FAE or Sales Representative for more information.

## Possible Configurations

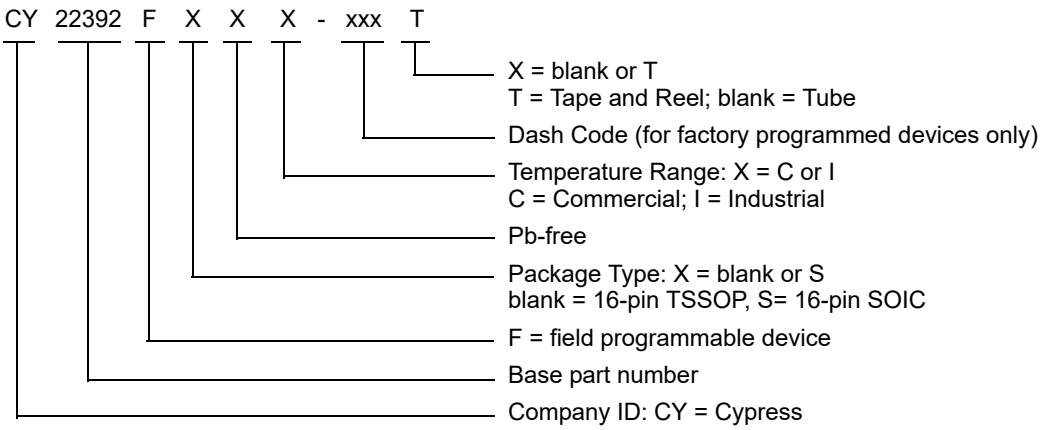
Ordering Code	Package Name	Package Type	Operating Range	Operating Voltage
Pb-free				
CY22392ZXC-xxx <sup>[9]</sup>	ZZ16	16-pin TSSOP	Commercial (T <sub>A</sub> = 0 °C to 70 °C)	3.3 V
CY22392ZXC-xxxT <sup>[9]</sup>	ZZ16	16-pin TSSOP – Tape and Reel	Commercial (T <sub>A</sub> = 0 °C to 70 °C)	3.3 V
CY22392ZXI-xxx <sup>[9]</sup>	ZZ16	16-pin TSSOP	Industrial (T <sub>A</sub> = –40 °C to 85 °C)	3.3 V
CY22392ZXI-xxxT <sup>[9]</sup>	ZZ16	16-pin TSSOP – Tape and Reel	Industrial (T <sub>A</sub> = –40 °C to 85 °C)	3.3 V
CY22392SXC-xxx <sup>[9]</sup>	SZ16	16-pin SOIC	Commercial (T <sub>A</sub> = 0 °C to 70 °C)	3.3 V
CY22392SXC-xxxT <sup>[9]</sup>	SZ16	16-pin SOIC – Tape and Reel	Commercial (T <sub>A</sub> = 0 °C to 70 °C)	3.3 V
CY22392SXI-xxx <sup>[9]</sup>	SZ16	16-pin SOIC	Industrial (T <sub>A</sub> = –40 °C to 85 °C)	3.3 V
CY22392SXI-xxxT <sup>[9]</sup>	SZ16	16-pin SOIC – Tape and Reel	Industrial (T <sub>A</sub> = –40 °C to 85 °C)	3.3 V

### Notes

- Programming of only 16-pin TSSOP package is supported. For programming support of 16-pin SOIC package, contact your local FAE.
- The CY22392ZXC-xxx and CY22392ZXI-xxx are factory programmed configurations. Factory programming is available for high-volume design opportunities of 100 Ku/year or more in production. For more details, contact your local Cypress FAE or Cypress Sales Representative.

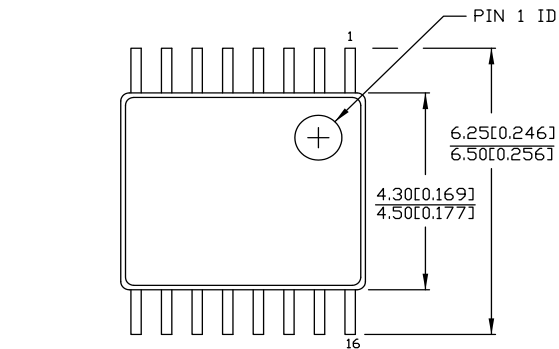


**Ordering Code Definitions**



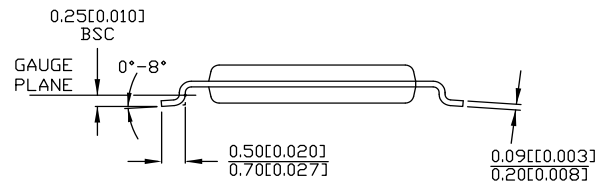
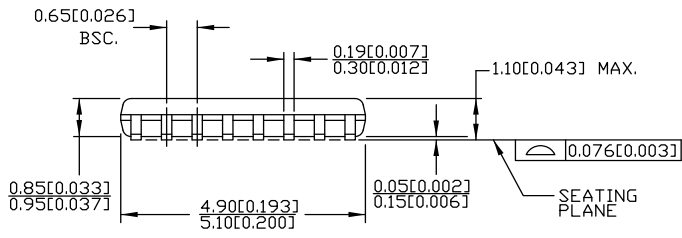
Package Diagrams

Figure 7. 16-pin TSSOP (4.40 mm Body) Z16.173/ZZ16.173 Package Outline, 51-85091



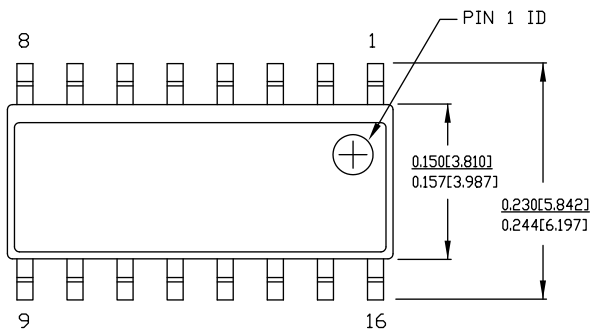
DIMENSIONS IN MM [INCHES] MIN. MAX.  
 REFERENCE JEDEC MO-153  
 PACKAGE WEIGHT 0.05gms

PART #	
Z16.173	STANDARD PKG.
ZZ16.173	LEAD FREE PKG.



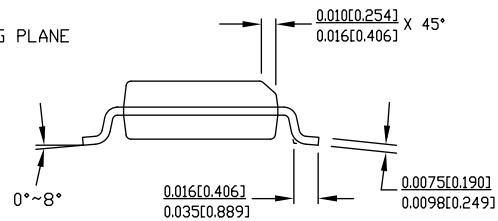
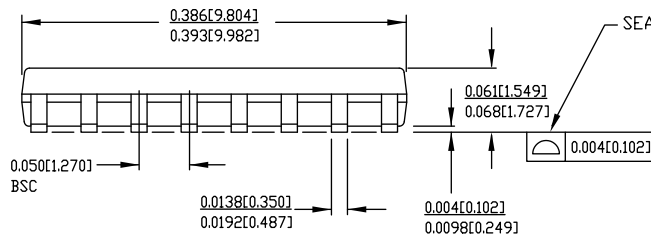
51-85091 \*E

Figure 8. 16-pin SOIC (150 Mils) S16.15/SZ16.15 Package Outline, 51-85068



NOTE:  
 1. DIMENSIONS IN INCHES [MM] MAX.  
 2. REFERENCE JEDEC MS-012  
 3. PACKAGE WEIGHT : refer to PMDD spec. 001-04308

PART #	
S16.15	STANDARD PKG.
SZ16.15	LEAD FREE PKG.



51-85068 \*E

### Acronyms

Acronym	Description
CMOS	Complementary Metal Oxide Semiconductor
EMI	Electromagnetic Interference
FET	Field-Effect Transistor
FTG	Frequency Timing Generator
JEDEC	Joint Electron Devices Engineering Council
LVTTTL	Low Voltage Transistor-Transistor Logic
OSC	Oscillator
PCB	Printed Circuit Board
PLL	Phase Locked Loop
TSSOP	Thin Shrink Small Outline Package

### Document Conventions

#### Units of Measure

Symbol	Unit of Measure
°C	degree Celsius
MHz	megahertz
μA	microampere
μF	microfarad
mA	milliampere
mm	millimeter
ms	millisecond
mW	milliwatt
ns	nanosecond
%	percent
pF	picofarad
ppm	parts per million
ps	picosecond
V	volt
W	watt

## Document History Page

Document Title: CY22392, Three-PLL General Purpose Flash-Programmable Clock Generator Document Number: 38-07013				
Rev.	ECN	Orig. of Change	Submission Date	Description of Change
**	106738	TLG	07/03/2001	New data sheet.
*A	108515	JWK	08/23/2001	Changed status from Preliminary to Final. Added <a href="#">Junction Temperature Limitations</a> . Updated <a href="#">Maximum Ratings</a> : Removed soldering temperature rating. Updated <a href="#">Electrical Characteristics</a> : Splitted crystal load into two typical specs representing digital settings range. Updated <a href="#">Switching Characteristics</a> : Changed maximum value of $t_5$ parameter from 250 ns to 300 ns. Changed typical value of $t_7$ parameter from 0.3 ms to 1.0 ms.
*B	110052	CKN	12/09/2001	Updated <a href="#">Ordering Information</a> : Updated part numbers. Added Note 9 and referred the same note in factory programmed MPNs.
*C	121864	RBI	12/14/2002	Updated <a href="#">Operating Conditions</a> : Added $t_{PU}$ parameter and its details.
*D	237811	RGL	06/25/2004	Updated <a href="#">Ordering Information</a> : Updated part numbers.
*E	2584052	AESA	10/10/2008	Updated <a href="#">Ordering Information</a> : Updated part numbers. Replaced "Lead-Free" with "Pb-Free". Added Note "Not recommended for new designs." and referred the same note in non Pb-free part numbers. Updated to new template.
*F	2740247	KVM / PYRS	07/17/2009	Updated <a href="#">CyberClocks™ Software</a> : Updated description. Added <a href="#">Device Programming</a> . Added <a href="#">Electrical Characteristics</a> . Updated <a href="#">Ordering Information</a> : Updated part numbers. Replaced Z16 with ZZ16 in "Package Name" column for Pb-free devices.
*G	2897246	KVM	03/22/2010	Updated <a href="#">Ordering Information</a> : No change in part numbers. Updated Note 9. Removed Note "Not recommended for new designs. New designs should use P.-free devices." Added description before Possible Configurations. Added <a href="#">Possible Configurations</a> . Updated <a href="#">Package Diagrams</a> : spec 51-85091 – Changed revision from *A to *B.
*H	3340710	PURU	08/09/2011	Updated <a href="#">Ordering Information</a> : No change in part numbers. Added <a href="#">Ordering Code Definitions</a> . Updated <a href="#">Package Diagrams</a> : spec 51-85091 – Changed revision from *B to *C. Added <a href="#">Acronyms</a> and <a href="#">Units of Measure</a> . Updated to new template. Completing Sunset Review.

Document History Page (continued)

Document Title: CY22392, Three-PLL General Purpose Flash-Programmable Clock Generator Document Number: 38-07013				
Rev.	ECN	Orig. of Change	Submission Date	Description of Change
*I	3882659	PURU	01/24/2013	Updated <a href="#">Features</a> : Added 16-pin SOIC package details. Updated <a href="#">Pin Configurations</a> : Updated caption of <a href="#">Figure 1</a> to include 16-pin SOIC package details. Updated <a href="#">Device Programming</a> : Added <a href="#">Note 1</a> and referred the same Note for CY3698. Updated <a href="#">Ordering Information</a> : Updated part numbers (Added new MPNs CY22392FSXC, CY22392FSXCT, CY22392FSXI and CY22392FSXIT). Updated <a href="#">Possible Configurations</a> : Updated part numbers (Added new MPNs CY22392SXC-xxx, CY22392SXC-xxxT, CY22392SXI-xxx and CY22392SXI-xxxT). Updated <a href="#">Ordering Code Definitions</a> (To include 16-pin SOIC package details). Updated <a href="#">Package Diagrams</a> : spec 51-85091 – Changed revision from *C to *D. Added spec 51-85068 *E (for 16-pin SOIC package).
*J	4505589	TAVA	09/17/2014	Updated to new template. Completing Sunset Review.
*K	4597235	TAVA	12/18/2014	Updated <a href="#">Functional Description</a> : Added “For a complete list of related documentation, click <a href="#">here</a> .” at the end. Updated <a href="#">Ordering Information</a> : Updated part numbers. Updated <a href="#">Package Diagrams</a> : spec 51-85091 – Changed revision from *D to *E.
*L	5452399	TAVA	09/28/2016	Updated to new template. Completing Sunset Review.
*M	6056485	PAWK	02/02/2018	Updated <a href="#">Ordering Information</a> : Updated part numbers. Updated <a href="#">Note 8</a> . Updated to new template.

## Sales, Solutions, and Legal Information

### Worldwide Sales and Design Support

Cypress maintains a worldwide network of offices, solution centers, manufacturer's representatives, and distributors. To find the office closest to you, visit us at [Cypress Locations](#).

#### Products

Arm® Cortex® Microcontrollers	<a href="http://cypress.com/arm">cypress.com/arm</a>
Automotive	<a href="http://cypress.com/automotive">cypress.com/automotive</a>
Clocks & Buffers	<a href="http://cypress.com/clocks">cypress.com/clocks</a>
Interface	<a href="http://cypress.com/interface">cypress.com/interface</a>
Internet of Things	<a href="http://cypress.com/iot">cypress.com/iot</a>
Memory	<a href="http://cypress.com/memory">cypress.com/memory</a>
Microcontrollers	<a href="http://cypress.com/mcu">cypress.com/mcu</a>
PSoC	<a href="http://cypress.com/psoc">cypress.com/psoc</a>
Power Management ICs	<a href="http://cypress.com/pmic">cypress.com/pmic</a>
Touch Sensing	<a href="http://cypress.com/touch">cypress.com/touch</a>
USB Controllers	<a href="http://cypress.com/usb">cypress.com/usb</a>
Wireless Connectivity	<a href="http://cypress.com/wireless">cypress.com/wireless</a>

#### PSoC® Solutions

[PSoC 1](#) | [PSoC 3](#) | [PSoC 4](#) | [PSoC 5LP](#) | [PSoC 6 MCU](#)

#### Cypress Developer Community

[Community](#) | [Projects](#) | [Video](#) | [Blogs](#) | [Training](#) | [Components](#)

#### Technical Support

[cypress.com/support](http://cypress.com/support)

© Cypress Semiconductor Corporation, 2001-2018. This document is the property of Cypress Semiconductor Corporation and its subsidiaries, including Spansion LLC ("Cypress"). This document, including any software or firmware included or referenced in this document ("Software"), is owned by Cypress under the intellectual property laws and treaties of the United States and other countries worldwide. Cypress reserves all rights under such laws and treaties and does not, except as specifically stated in this paragraph, grant any license under its patents, copyrights, trademarks, or other intellectual property rights. If the Software is not accompanied by a license agreement and you do not otherwise have a written agreement with Cypress governing the use of the Software, then Cypress hereby grants you a personal, non-exclusive, nontransferable license (without the right to sublicense) (1) under its copyright rights in the Software (a) for Software provided in source code form, to modify and reproduce the Software solely for use with Cypress hardware products, only internally within your organization, and (b) to distribute the Software in binary code form externally to end users (either directly or indirectly through resellers and distributors), solely for use on Cypress hardware product units, and (2) under those claims of Cypress's patents that are infringed by the Software (as provided by Cypress, unmodified) to make, use, distribute, and import the Software solely for use with Cypress hardware products. Any other use, reproduction, modification, translation, or compilation of the Software is prohibited.

TO THE EXTENT PERMITTED BY APPLICABLE LAW, CYPRESS MAKES NO WARRANTY OF ANY KIND, EXPRESS OR IMPLIED, WITH REGARD TO THIS DOCUMENT OR ANY SOFTWARE OR ACCOMPANYING HARDWARE, INCLUDING, BUT NOT LIMITED TO, THE IMPLIED WARRANTIES OF MERCHANTABILITY AND FITNESS FOR A PARTICULAR PURPOSE. To the extent permitted by applicable law, Cypress reserves the right to make changes to this document without further notice. Cypress does not assume any liability arising out of the application or use of any product or circuit described in this document. Any information provided in this document, including any sample design information or programming code, is provided only for reference purposes. It is the responsibility of the user of this document to properly design, program, and test the functionality and safety of any application made of this information and any resulting product. Cypress products are not designed, intended, or authorized for use as critical components in systems designed or intended for the operation of weapons, weapons systems, nuclear installations, life-support devices or systems, other medical devices or systems (including resuscitation equipment and surgical implants), pollution control or hazardous substances management, or other uses where the failure of the device or system could cause personal injury, death, or property damage ("Unintended Uses"). A critical component is any component of a device or system whose failure to perform can be reasonably expected to cause the failure of the device or system, or to affect its safety or effectiveness. Cypress is not liable, in whole or in part, and you shall and hereby do release Cypress from any claim, damage, or other liability arising from or related to all Unintended Uses of Cypress products. You shall indemnify and hold Cypress harmless from and against all claims, costs, damages, and other liabilities, including claims for personal injury or death, arising from or related to any Unintended Uses of Cypress products.

Cypress, the Cypress logo, Spansion, the Spansion logo, and combinations thereof, WICED, PSoC, CapSense, EZ-USB, F-RAM, and Traveo are trademarks or registered trademarks of Cypress in the United States and other countries. For a more complete list of Cypress trademarks, visit [cypress.com](http://cypress.com). Other names and brands may be claimed as property of their respective owners.

## X-ON Electronics

Largest Supplier of Electrical and Electronic Components

*Click to view similar products for [Phase Locked Loops - PLL category](#):*

*Click to view products by [Cypress manufacturer](#):*

Other Similar products are found below :

[HMC700LP4TR](#) [CPLL58-2400-2500](#) [MB15E07SLPFV1-G-BND-6E1](#) [PI6C2409-1HWEX](#) [BA4116FV-E2](#) [HMC820LP6CETR](#)  
[HMC828LP6CETR](#) [LMX2430TMX/NOPB](#) [HMC837LP6CETR](#) [HMC831LP6CETR](#) [NB3N5573DTG](#) [ADF4153ABCPZ](#) [PI6C2405A-1LE](#)  
[CD74HC4046AM](#) [CPLL66-2450-2450](#) [NJM567D](#) [CY23S05SXI-1](#) [STW81200T](#) [ADF4208BRUZ](#) [ADF4218LBRUZ](#) [ADF4355-3BCPZ](#)  
[ADF5355BCPZ](#) [ADF4355BCPZ](#) [ADF4169WCCPZ](#) [ADF4360-7BCPZ](#) [ADF4360-6BCPZ](#) [ADF4360-5BCPZRL7](#) [ADF4360-5BCPZ](#)  
[ADF4360-4BCPZRL7](#) [ADF4360-4BCPZ](#) [ADF4360-3BCPZ](#) [ADF4360-2BCPZRL7](#) [ADF4252BCPZ](#) [ADF4159CCPZ](#) [ADF4169CCPZ](#)  
[ADF4252BCPZ-R7](#) [ADF4360-0BCPZ](#) [ADF4360-1BCPZ](#) [ADF4360-1BCPZRL7](#) [ADF4360-2BCPZ](#) [ADF4360-3BCPZRL7](#) [ADF4360-](#)  
[7BCPZRL7](#) [ADF4360-8BCPZ](#) [ADF4360-8BCPZRL7](#) [ADF4360-9BCPZ](#) [ADF4360-9BCPZRL7](#) [ADF4159CCPZ-RL7](#) [ADF4159WCCPZ](#)  
[ADF4360-0BCPZRL7](#) [AD9901KPZ](#)