

1:10 Differential LVDS Fanout Buffer

Features

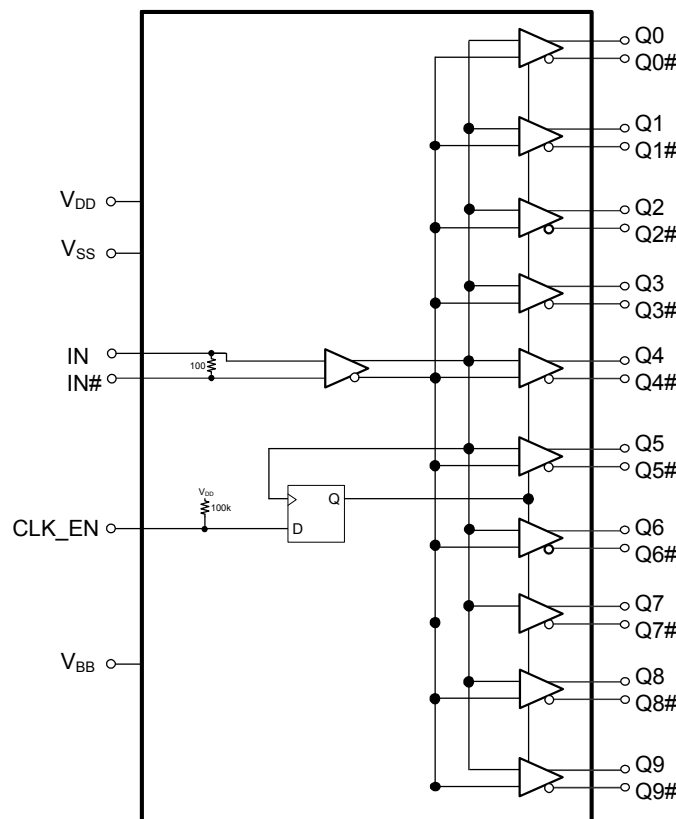
- Low-voltage differential signal (LVDS) input with on-chip 100 Ω input termination resistor
- Ten differential LVDS outputs
- 40 ps maximum output-to-output skew
- 600 ps maximum propagation delay
- 0.11 ps maximum additive RMS phase jitter at 156.25 MHz (12 kHz to 20 MHz offset)
- Up to 1.5 GHz operation
- Synchronous clock enable function
- 32-pin thin quad flat pack (TQFP) package
- 2.5 V or 3.3 V operating voltage ^[1]
- Commercial and industrial operating temperature range

Functional Description

The CY2DL1510 is an ultra-low noise, low-skew, low-propagation delay 1:10 differential LVDS fanout buffer targeted to meet the requirements of high-speed clock distribution applications. The on-chip 100 Ω input termination resistor reduces board component count, while the synchronous clock enable function ensures glitch-free output transitions during enable and disable periods. The device has a fully differential internal architecture that is optimized to achieve low-additive jitter and low-skew at operating frequencies of up to 1.5 GHz.

For a complete list of related documentation, [click here](#).

Logic Block Diagram



Note

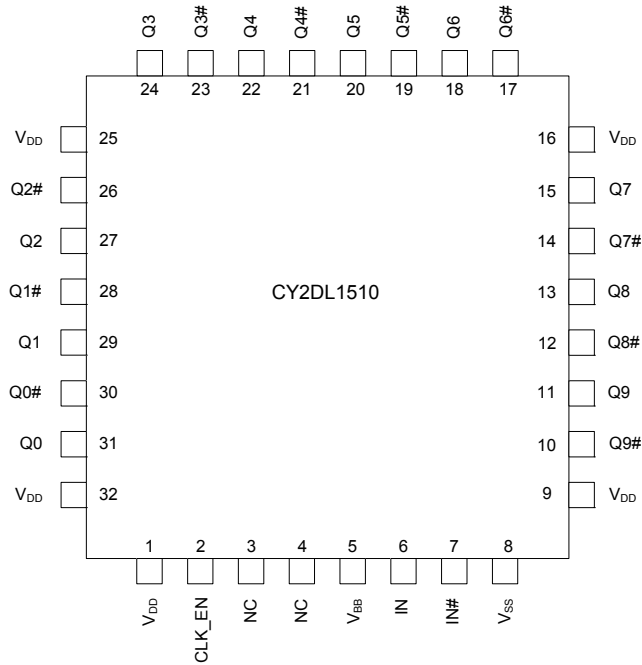
1. Input AC-coupling capacitors are required for voltage-translation applications.

Contents

Pinouts	3	Acronyms	12
Pin Definitions	3	Document Conventions	12
Absolute Maximum Ratings	4	Units of Measure	12
Operating Conditions	4	Document History Page	13
DC Electrical Specifications	5	Sales, Solutions, and Legal Information	15
Thermal Resistance	5	Worldwide Sales and Design Support	15
AC Electrical Specifications	6	Products	15
Switching Waveforms	7	PSoC@Solutions	15
Ordering Information	10	Cypress Developer Community	15
Ordering Code Definitions	10	Technical Support	15
Package Diagram	11		

Pinouts

Figure 1. 32-pin TQFP pinout



Pin Definitions

Pin No.	Pin Name	Pin Type	Description
1, 9, 16, 25, 32	V _{DD}	Power	Power supply
2	CLK_EN	Input	Synchronous clock enable. Low-voltage complementary metal oxide semiconductor (LVCMOS)/low-voltage transistor-transistor-logic (LVTTL). When CLK_EN = Low, Q(0:9) outputs are held low and Q(0:9)# outputs are held high
3, 4	NC		No connection
5	V _{BB}	Output	LVDS reference voltage output
6	IN	Input	LVDS input clock
7	IN#	Input	LVDS complementary input clock
8	V _{SS}	Power	Ground
10, 12, 14, 17, 19, 21, 23, 26, 28, 30	Q(0:9)#	Output	LVDS complementary output clocks
11, 13, 15, 18, 20, 22, 24, 27, 29, 31	Q(0:9)	Output	LVDS output clocks

Absolute Maximum Ratings

Parameter	Description	Condition	Min	Max	Unit
V_{DD}	Supply voltage	Non-functional	-0.5	4.6	V
$V_{IN}^{[2]}$	Input voltage, relative to V_{SS}	Non-functional	-0.5	lesser of 4.0 or $V_{DD} + 0.4$	V
$V_{OUT}^{[2]}$	DC output or I/O Voltage, relative to V_{SS}	Non-functional	-0.5	lesser of 4.0 or $V_{DD} + 0.4$	V
T_S	Storage temperature	Non-functional	-55	150	°C
ESD_{HBM}	Electrostatic discharge (ESD) protection (Human body model)	JEDEC STD 22-A114-B	2000	-	V
L_U	Latch up		Meets or exceeds JEDEC Spec JESD78B IC latch up test		
UL-94	Flammability rating	At 1/8 in.	V-0		
MSL	Moisture sensitivity level		3		

Operating Conditions

Parameter	Description	Condition	Min	Max	Unit
V_{DD}	Supply voltage	2.5 V supply	2.375	2.625	V
		3.3 V supply	3.135	3.465	V
T_A	Ambient operating temperature	Commercial	0	70	°C
		Industrial	-40	85	°C
t_{PU}	Power ramp time	Power-up time for V_{DD} to reach minimum specified voltage (power ramp must be monotonic.)	0.05	500	ms

Note

2. The voltage on any I/O pin cannot exceed the power pin during power-up. Power supply sequencing is not required.

DC Electrical Specifications

($V_{DD} = 3.3\text{ V} \pm 5\%$ or $2.5\text{ V} \pm 5\%$; $T_A = 0\text{ }^\circ\text{C}$ to $70\text{ }^\circ\text{C}$ (Commercial) or $-40\text{ }^\circ\text{C}$ to $85\text{ }^\circ\text{C}$ (Industrial))

Parameter	Description	Condition	Min	Max	Unit
I_{DD}	Operating supply current	All LVDS outputs terminated with $100\ \Omega$ load [3, 4]	–	125	mA
V_{IH1}	Input high Voltage, LVDS input clocks, IN and IN#		–	$V_{DD} + 0.3$	V
V_{IL1}	Input low voltage, LVDS input clocks, IN and IN#		-0.3	–	V
V_{IH2}	Input high voltage, CLK_EN	$V_{DD} = 3.3\text{ V}$	2.0	$V_{DD} + 0.3$	V
V_{IL2}	Input low voltage, CLK_EN	$V_{DD} = 3.3\text{ V}$	-0.3	0.8	V
V_{IH3}	Input high voltage, CLK_EN	$V_{DD} = 2.5\text{ V}$	1.7	$V_{DD} + 0.3$	V
V_{IL3}	Input low voltage, CLK_EN	$V_{DD} = 2.5\text{ V}$	-0.3	0.7	V
V_{ID} ^[5]	Input differential amplitude	See Figure 3 on page 7	0.4	0.8	V
V_{ICM}	Input common mode voltage	See Figure 3 on page 7	0.5	$V_{DD} - 0.2$	V
I_{IH}	Input high current, All inputs	Input = V_{DD} ^[6]	–	150	μA
I_{IL}	Input low current, All inputs	Input = V_{SS} ^[6]	-150	–	μA
V_{PP}	LVDS differential output voltage peak to peak, single-ended	$V_{DD} = 3.3\text{ V}$ or 2.5 V , $R_{TERM} = 100\ \Omega$ between Q and Q# pairs [3, 7]	250	470	mV
ΔV_{OCM}	Change in V_{OCM} between complementary output states	$V_{DD} = 3.3\text{ V}$ or 2.5 V , $R_{TERM} = 100\ \Omega$ between Q and Q# pairs [3, 7]	–	50	mV
V_{BB}	Output reference voltage	0 to $150\ \mu\text{A}$ output current	1.125	1.375	V
R_{TERM}	On-chip differential input termination resistor		80	120	Ω
R_P	Internal pull-up resistance, LVCMOS logic input	CLK_EN pin	60	140	k Ω
C_{IN}	Input capacitance	Measured at 10 MHz per pin	–	3	pF

Thermal Resistance

Parameter ^[8]	Description	Test Conditions	32-pin TQFP	Unit
θ_{JA}	Thermal resistance (junction to ambient)	Test conditions follow standard test methods and procedures for measuring thermal impedance, in accordance with EIA/JESD51.	69	$^\circ\text{C}/\text{W}$
θ_{JC}	Thermal resistance (junction to case)		14	$^\circ\text{C}/\text{W}$

Notes

3. Refer to [Figure 2 on page 7](#).
4. I_{DD} includes current that is dissipated externally in the output termination resistors.
5. V_{ID} minimum of 400 mV is required to meet all output AC Electrical Specifications. The device is functional with V_{ID} minimum of greater than 200 mV.
6. Positive current flows into the input pin, negative current flows out of the input pin.
7. Refer to [Figure 4 on page 7](#).
8. These parameters are guaranteed by design and are not tested.

AC Electrical Specifications

($V_{DD} = 3.3\text{ V} \pm 5\%$ or $2.5\text{ V} \pm 5\%$; $T_A = 0\text{ }^\circ\text{C}$ to $70\text{ }^\circ\text{C}$ (Commercial) or $-40\text{ }^\circ\text{C}$ to $85\text{ }^\circ\text{C}$ (Industrial))

Parameter	Description	Condition	Min	Typ	Max	Unit
F_{IN}	Input frequency		DC	–	1.5	GHz
F_{OUT}	Output frequency	$F_{OUT} = F_{IN}$	DC	–	1.5	GHz
$t_{PD}^{[11]}$	Propagation delay input pair to output pair	Input rise/fall time < 1.5 ns (20% to 80%)	–	–	600	ps
$t_{ODC}^{[12]}$	Output duty cycle	50% duty cycle at input Frequency range up to 1 GHz	48	–	52	%
$t_{SK1}^{[13]}$	Output-to-output skew	Any output to any output, with same load conditions at DUT	–	–	40	ps
$t_{SK1D}^{[13]}$	Device-to-device output skew	Any output to any output between two or more devices. Devices must have the same input and have the same output load.	–	–	150	ps
PN _{ADD}	Additive RMS phase noise 156.25 MHz input Rise/fall time < 150 ps (20% to 80%) $V_{ID} > 400\text{ mV}$	Offset = 1 kHz	–	–	–120	dBc/Hz
		Offset = 10 kHz	–	–	–135	dBc/Hz
		Offset = 100 kHz	–	–	–135	dBc/Hz
		Offset = 1 MHz	–	–	–150	dBc/Hz
		Offset = 10 MHz	–	–	–154	dBc/Hz
		Offset = 20 MHz	–	–	–155	dBc/Hz
$t_{JIT}^{[14]}$	Additive RMS phase jitter (Random)	156.25 MHz, 12 kHz to 20 MHz offset; input rise/fall time < 150 ps (20% to 80%), $V_{ID} > 400\text{ mV}$	–	–	0.11	ps
$t_R, t_F^{[15]}$	Output rise/fall time, single-ended	50% duty cycle at input, 20% to 80% of full swing (V_{OL} to V_{OH}) Input rise/fall time < 1.5 ns (20% to 80%) Measured at 1 GHz	–	–	300	ps
t_{SOD}	Time from clock edge to outputs disabled	Synchronous clock enable (CLK_EN) switched low	–	–	700	ps
t_{SOE}	Time from clock edge to outputs enabled	Synchronous clock enable (CLK_EN) switched high	–	–	700	ps

Notes

9. Refer to [Figure 2 on page 7](#).
10. Refer to [Figure 4 on page 7](#).
11. Refer to [Figure 5 on page 7](#).
12. Refer to [Figure 6 on page 7](#).
13. Refer to [Figure 7 on page 8](#).
14. Refer to [Figure 8 on page 8](#).
15. Refer to [Figure 9 on page 8](#).

Switching Waveforms

Figure 2. LVDS Output Termination

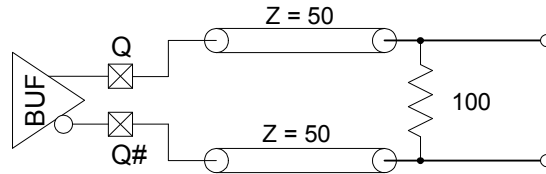


Figure 3. Input Differential and Common Mode Voltages

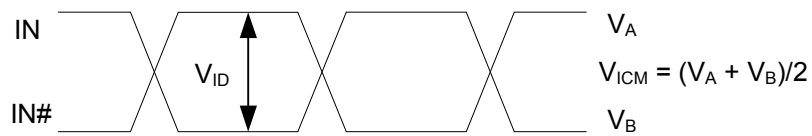


Figure 4. Output Differential and Common Mode Voltages

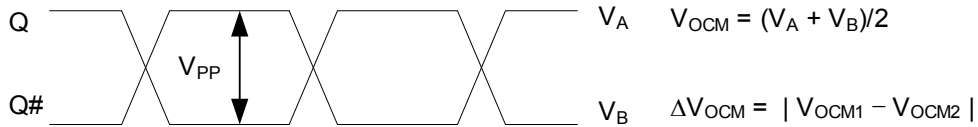


Figure 5. Input to Any Output Pair Propagation Delay

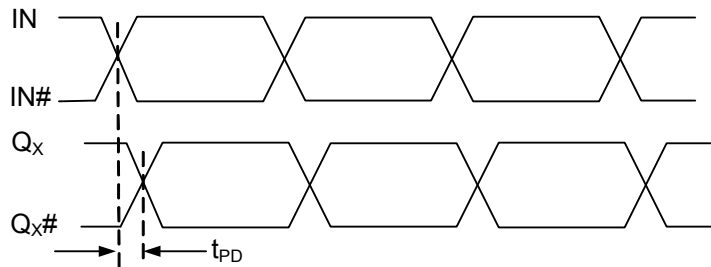
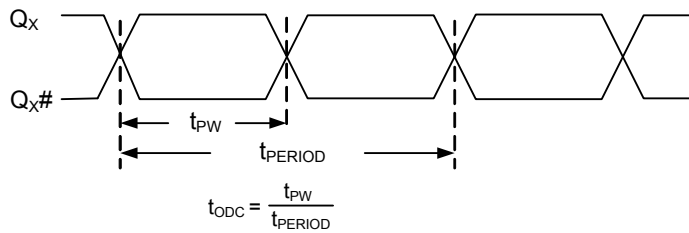


Figure 6. Output Duty Cycle



Switching Waveforms (continued)

Figure 7. Output-to-output and Device-to-device Skew

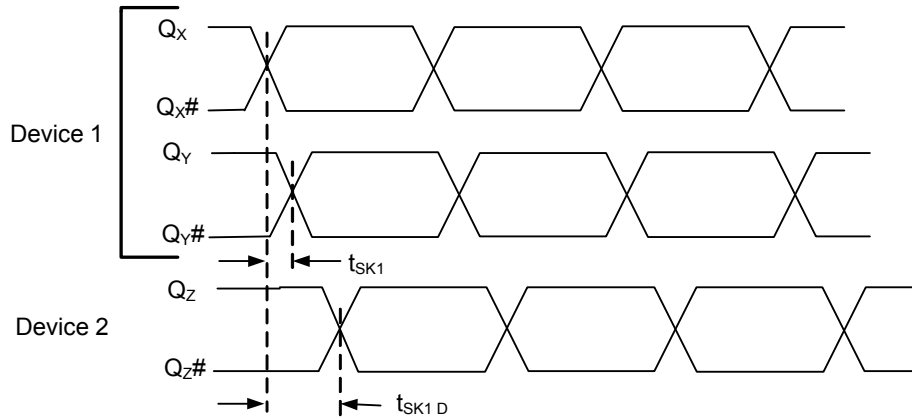


Figure 8. RMS Phase Jitter

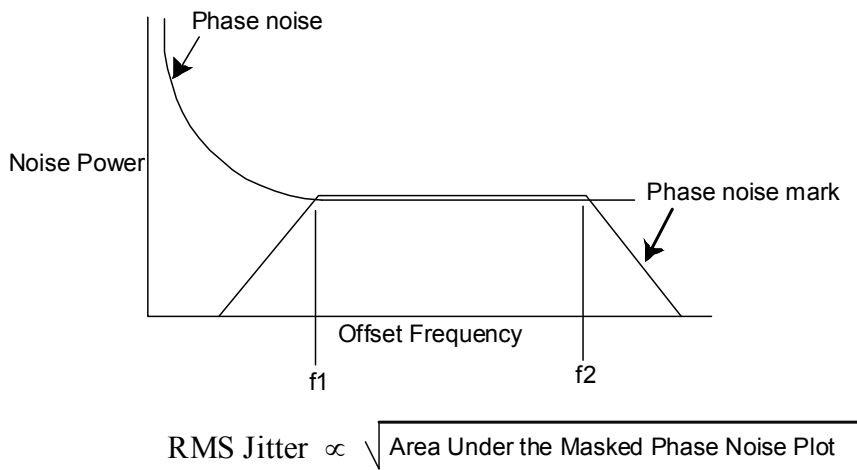
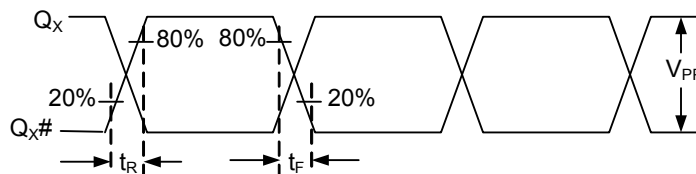
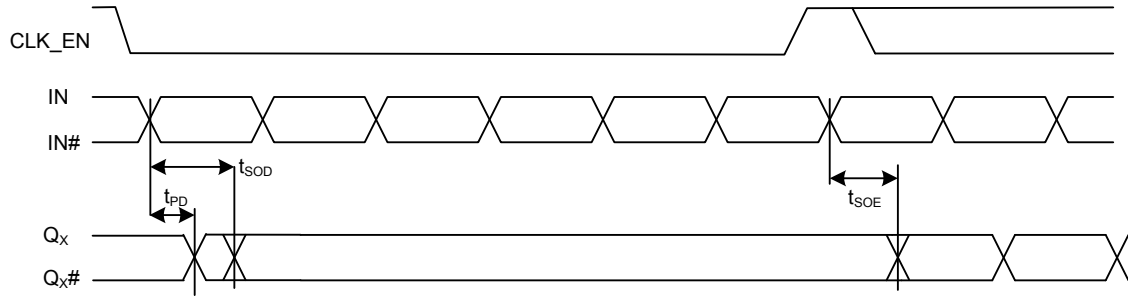


Figure 9. Output Rise/Fall Time



Switching Waveforms (continued)

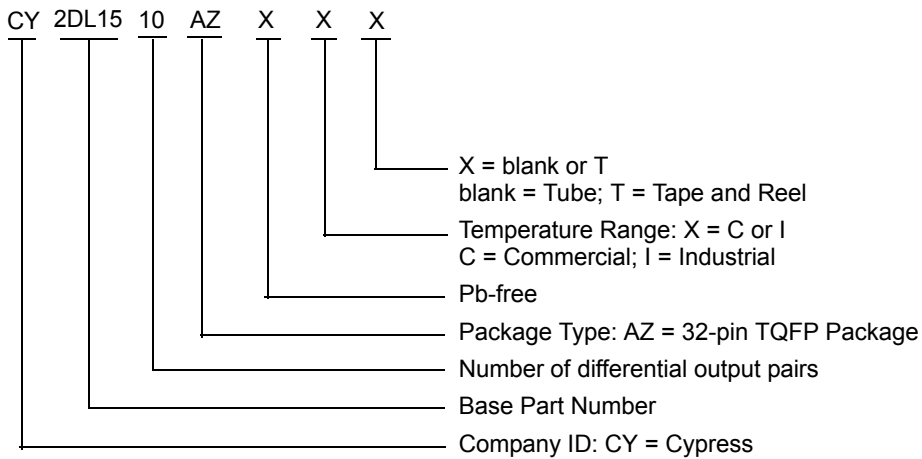
Figure 10. Synchronous Clock Enable Timing



Ordering Information

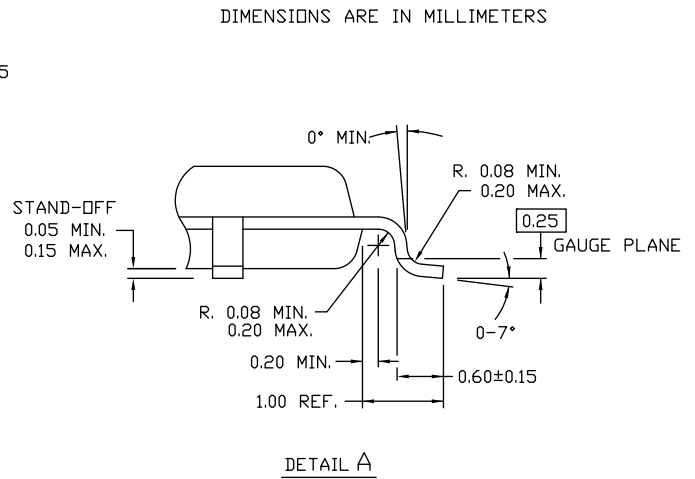
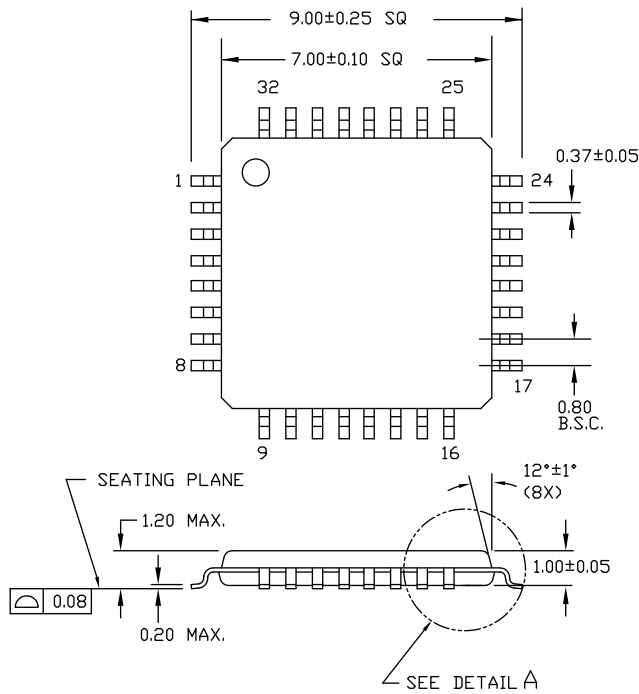
Part Number	Type	Production Flow
Pb-free		
CY2DL1510AZC	32-pin TQFP	Commercial, 0 °C to 70 °C
CY2DL1510AZCT	32-pin TQFP – Tape and Reel	Commercial, 0 °C to 70 °C
CY2DL1510AZI	32-pin TQFP	Industrial, –40 °C to 85 °C
CY2DL1510AZIT	32-pin TQFP – Tape and Reel	Industrial, –40 °C to 85 °C

Ordering Code Definitions



Package Diagram

Figure 11. 32-pin TQFP (7 × 7 × 1.0 mm) A 3210 Package Outline, 51-85063



51-85063 *E

Acronyms

Acronym	Description
ESD	Electrostatic Discharge
HBM	Human Body Model
JEDEC	Joint Electron Devices Engineering Council
LVDS	Low-Voltage Differential Signal
LVC MOS	Low-Voltage Complementary Metal Oxide Semiconductor
LV TTL	Low-Voltage Transistor-Transistor Logic
OE	Output Enable
RMS	Root Mean Square
TQFP	Thin Quad Flat Pack

Document Conventions

Units of Measure

Symbol	Unit of Measure
°C	degree Celsius
dBc	decibels relative to the carrier
GHz	gigahertz
Hz	hertz
kΩ	kilohm
MHz	megahertz
μA	microampere
μF	microfarad
μs	microsecond
mA	milliampere
ms	millisecond
mV	millivolt
ns	nanosecond
Ω	ohm
pF	picofarad
ps	picosecond
V	volt
W	watt

Document History Page

Document Title: CY2DL1510, 1:10 Differential LVDS Fanout Buffer				
Document Number: 001-54863				
Revision	ECN	Orig. of Change	Submission Date	Description of Change
**	2744225	CXQ / PYRS	08/19/09	New data sheet.
*A	2782891	CXQ	10/09/09	Updated format of Logic Block Diagram on page 1. Added T_{SOD} and T_{SOE} specs (700 ps max) to AC Specs table. Added T_{SETUP} and T_{HOLD} specs (300 ps min) to AC Specs table. Changed equation for RMS jitter in Figure 8 to proportionality. Changed package drawing from 1.4 mm thickness 51-85088 spec to 1.0 mm thickness 51-850063 spec. Added "Synchronous Clock Enable Function" to Features on page 1.
*B	2838916	CXQ	01/05/2010	Changed status from Advance to Preliminary. Changed from 0.34 ps to 0.25 ps maximum additive jitter in "Features" on page 1 and in t_{JIT} in the AC Electrical Specs table on page 5. Added t_{PU} spec to the Operating Conditions table on page 3. Removed V_{OD} and ΔV_{OD} specs from the DC Electrical Specs table on page 4. Added V_{PP} and ΔV_{PP} specs to the AC Electrical Specs table on page 5. V_{PP} min = 250 mV and max = 470 mV; ΔV_{PP} max = 50 mV. Added internal pullup resistance spec for CLK_EN in the DC Electrical Specs table on page 4. Min = 60 k Ω , Max = 140 k Ω . Added a measurement definition for C_{IN} in the DC Electrical Specs table on page 4. Changed letter case and some names of all the timing parameters in the AC Electrical Specs table on page 5 to be consistent with EROS. Lowered all additive phase noise mask specs by 3 dB in the AC Electrical Specs table on page 5. Added condition to t_R and t_F specs in the AC Electrical specs table on page 5 that input rise/fall time must be less than 1.5 ns (20% to 80%). Changed letter case and some names of all the timing parameters in Figures 5, 6, 7, and 9, to be consistent with EROS. Updated Figure 4 with definitions for V_{PP} and ΔV_{PP} .
*C	2885033	CXQ	02/26/2010	Updated 32-Pin TQFP package diagram.
*D	3011766	CXQ	08/20/2010	Changed maximum additive jitter from 0.25 ps to 0.11 ps in "Features" on page 1 and in t_{JIT} in the AC Electrical Specs table on page 5. Changed max t_{PD} spec from 480 ps to 600 ps. Added note 5 to describe I_{IH} and I_{IL} specs. Removed reference to data distribution from "Functional Description". Changed R_P for differential inputs from 100 k Ω to 150 k Ω in the Logic Block Diagram and from 60 k Ω min / 140 k Ω max to 90 k Ω min / 210 k Ω max in the DC Electrical Specs table. Added V_{ID} max spec of 0.8V in the DC Electrical Specs table. Updated phase noise specs for 1 k/10 k/100 k/1 M/10 M/20 MHz offset to -120/-130/-135/-150/-150/-150dBc/Hz, respectively, in the AC Electrical Specs table. Added "Frequency range up to 1 GHz" condition to t_{ODC} spec. Added Acronyms and Ordering Code Definition.
*E	3017258	CXQ	08/27/2010	Corrected Output Rise/Fall time diagram.

Document History Page (continued)

Document Title: CY2DL1510, 1:10 Differential LVDS Fanout Buffer				
Document Number: 001-54863				
Revision	ECN	Orig. of Change	Submission Date	Description of Change
*F	3100234	CXQ	11/18/2010	Changed V_{IN} and V_{OUT} specs from 4.0V to "lesser of 4.0 or $V_{DD} + 0.4$ " Removed 200mA min LU spec, replaced with "Meets or exceeds JEDEC Spec JESD78B IC Latchup Test" Moved V_{PP} from AC spec table to DC spec table, removed ΔV_{PP} . Removed R_P spec for differential input clock pins IN_X and $IN_{X\#}$. Changed C_{IN} condition to "Measured at 10 MHz". Changed PN_{ADD} specs for 10kHz, 10MHz, and 20MHz offsets. Added "Measured at 1 GHz" to t_R , t_F spec condition. Removed t_S and t_H specs from AC specs table. Changed to CY2DL1510AZ package code in Ordering Information. Added to Z package code in Ordering Code Definition.
*G	3135201	CXQ	01/12/2011	Changed status from Preliminary to Final. Updated Logic Block Diagram (Fixed typo and removed resistors from IN/IN#). Updated Switching Waveforms : Added Figure 10 (to describe T_{SOE} and T_{SOD}).
*H	3090938	CXQ	02/25/2011	Post to external web.
*I	3952187	CINM	04/02/2013	Updated Package Diagram : spec 51-85063 – Changed revision from *C to *D. Updated to new template. Completing Sunset Review.
*J	4586288	CINM	12/04/2014	Updated Functional Description : Added "For a complete list of related documentation, click here ." at the end.
*K	5260362	TAVA	05/05/2016	Added Thermal Resistance . Updated Package Diagram : spec 51-85063 – Changed revision from *D to *E. Updated to new template. Completing Sunset Review.
*L	5983414	AESATMP8	12/04/2017	Updated logo and Copyright.

Sales, Solutions, and Legal Information

Worldwide Sales and Design Support

Cypress maintains a worldwide network of offices, solution centers, manufacturer's representatives, and distributors. To find the office closest to you, visit us at [Cypress Locations](#).

Products

ARM® Cortex® Microcontrollers	cypress.com/arm
Automotive	cypress.com/automotive
Clocks & Buffers	cypress.com/clocks
Interface	cypress.com/interface
Internet of Things	cypress.com/iot
Memory	cypress.com/memory
Microcontrollers	cypress.com/mcu
PSoC	cypress.com/psoc
Power Management ICs	cypress.com/pmic
Touch Sensing	cypress.com/touch
USB Controllers	cypress.com/usb
Wireless Connectivity	cypress.com/wireless

PSoC® Solutions

[PSoC 1](#) | [PSoC 3](#) | [PSoC 4](#) | [PSoC 5LP](#) | [PSoC 6](#)

Cypress Developer Community

[Forums](#) | [WICED IOT Forums](#) | [Projects](#) | [Video](#) | [Blogs](#) | [Training](#) | [Components](#)

Technical Support

cypress.com/support

© Cypress Semiconductor Corporation, 2009-2017. This document is the property of Cypress Semiconductor Corporation and its subsidiaries, including Spansion LLC ("Cypress"). This document, including any software or firmware included or referenced in this document ("Software"), is owned by Cypress under the intellectual property laws and treaties of the United States and other countries worldwide. Cypress reserves all rights under such laws and treaties and does not, except as specifically stated in this paragraph, grant any license under its patents, copyrights, trademarks, or other intellectual property rights. If the Software is not accompanied by a license agreement and you do not otherwise have a written agreement with Cypress governing the use of the Software, then Cypress hereby grants you a personal, non-exclusive, nontransferable license (without the right to sublicense) (1) under its copyright rights in the Software (a) for Software provided in source code form, to modify and reproduce the Software solely for use with Cypress hardware products, only internally within your organization, and (b) to distribute the Software in binary code form externally to end users (either directly or indirectly through resellers and distributors), solely for use on Cypress hardware product units, and (2) under those claims of Cypress's patents that are infringed by the Software (as provided by Cypress, unmodified) to make, use, distribute, and import the Software solely for use with Cypress hardware products. Any other use, reproduction, modification, translation, or compilation of the Software is prohibited.

TO THE EXTENT PERMITTED BY APPLICABLE LAW, CYPRESS MAKES NO WARRANTY OF ANY KIND, EXPRESS OR IMPLIED, WITH REGARD TO THIS DOCUMENT OR ANY SOFTWARE OR ACCOMPANYING HARDWARE, INCLUDING, BUT NOT LIMITED TO, THE IMPLIED WARRANTIES OF MERCHANTABILITY AND FITNESS FOR A PARTICULAR PURPOSE. To the extent permitted by applicable law, Cypress reserves the right to make changes to this document without further notice. Cypress does not assume any liability arising out of the application or use of any product or circuit described in this document. Any information provided in this document, including any sample design information or programming code, is provided only for reference purposes. It is the responsibility of the user of this document to properly design, program, and test the functionality and safety of any application made of this information and any resulting product. Cypress products are not designed, intended, or authorized for use as critical components in systems designed or intended for the operation of weapons, weapons systems, nuclear installations, life-support devices or systems, other medical devices or systems (including resuscitation equipment and surgical implants), pollution control or hazardous substances management, or other uses where the failure of the device or system could cause personal injury, death, or property damage ("Unintended Uses"). A critical component is any component of a device or system whose failure to perform can be reasonably expected to cause the failure of the device or system, or to affect its safety or effectiveness. Cypress is not liable, in whole or in part, and you shall and hereby do release Cypress from any claim, damage, or other liability arising from or related to all Unintended Uses of Cypress products. You shall indemnify and hold Cypress harmless from and against all claims, costs, damages, and other liabilities, including claims for personal injury or death, arising from or related to any Unintended Uses of Cypress products.

Cypress, the Cypress logo, Spansion, the Spansion logo, and combinations thereof, WICED, PSoC, CapSense, EZ-USB, F-RAM, and Traveo are trademarks or registered trademarks of Cypress in the United States and other countries. For a more complete list of Cypress trademarks, visit cypress.com. Other names and brands may be claimed as property of their respective owners.

X-ON Electronics

Largest Supplier of Electrical and Electronic Components

Click to view similar products for [Buffers & Line Drivers](#) category:

Click to view products by [Cypress](#) manufacturer:

Other Similar products are found below :

[74AUP2G34FW3-7](#) [HEF4043BP](#) [NL17SG125DFT2G](#) [PI74FCT3244L](#) [MC74HCT365ADTR2G](#) [Le87401NQC](#) [Le87402MQC](#) [028192B](#)
[042140C](#) [051117G](#) [070519XB](#) [NL17SZ07P5T5G](#) [NLU1GT126AMUTCG](#) [74AUP1G17FW5-7](#) [74LVC2G17FW4-7](#) [CD4502BE](#) [5962-](#)
[8982101PA](#) [5962-9052201PA](#) [74LVC1G125FW4-7](#) [NL17SH17P5T5G](#) [NLV37WZ17USG](#) [NL17SH125P5T5G](#) [NLV37WZ07USG](#)
[RHRXH162244K1](#) [74AUP1G34FW5-7](#) [74AUP1G07FW5-7](#) [74LVC1G126FW4-7](#) [74LVC2G126RA3-7](#) [NLX2G17CMUTCG](#)
[74LVCE1G125FZ4-7](#) [Le87501NQC](#) [74AUP1G126FW5-7](#) [TC74HC4050AP\(F\)](#) [74LVCE1G07FZ4-7](#) [NLX3G16DMUTCG](#)
[NLX2G06AMUTCG](#) [NLVVHC1G50DFT2G](#) [LE87100NQC](#) [LE87100NQCT](#) [LE87290YQC](#) [LE87290YQCT](#) [LE87511NQC](#) [LE87511NQCT](#)
[LE87557NQC](#) [LE87557NQCT](#) [LE87614MQC](#) [LE87614MQCT](#) [74AUP1G125FW5-7](#) [NLU2G16CMUTCG](#) [MC74LCX244MN2TWG](#)