



CY4501

CCG1 Development Kit Guide

Doc. No. 001-96785 Rev. *F

Cypress Semiconductor
198 Champion Court
San Jose, CA 95134-1709
www.cypress.com

Copyrights

© Cypress Semiconductor Corporation, 2015-2017. The information contained herein is subject to change without notice. Cypress Semiconductor Corporation assumes no responsibility for the use of any circuitry other than circuitry embodied in a Cypress product. Nor does it convey or imply any license under patent or other rights. Cypress products are not warranted nor intended to be used for medical, life support, life saving, critical control or safety applications, unless pursuant to an express written agreement with Cypress. Furthermore, Cypress does not authorize its products for use as critical components in life-support systems where a malfunction or failure may reasonably be expected to result in significant injury to the user. The inclusion of Cypress products in life-support systems application implies that the manufacturer assumes all risk of such use and in doing so indemnifies Cypress against all charges.

Trademarks

PSoC is a registered trademark of Cypress Semiconductor Corp. All other trademarks or registered trademarks referenced herein are property of the respective corporations.

Source Code

Any Source Code (software and/or firmware) is owned by Cypress Semiconductor Corporation (Cypress) and is protected by and subject to worldwide patent protection (United States and foreign), United States copyright laws and international treaty provisions. Cypress hereby grants to licensee a personal, non-exclusive, non-transferable license to copy, use, modify, create derivative works of, and compile the Cypress Source Code and derivative works for the sole purpose of creating custom software and or firmware in support of licensee product to be used only in conjunction with a Cypress integrated circuit as specified in the applicable agreement. Any reproduction, modification, translation, compilation, or representation of this Source Code except as specified above is prohibited without the express written permission of Cypress.

Disclaimer

CYPRESS MAKES NO WARRANTY OF ANY KIND, EXPRESS OR IMPLIED, WITH REGARD TO THIS MATERIAL, INCLUDING, BUT NOT LIMITED TO, THE IMPLIED WARRANTIES OF MERCHANTABILITY AND FITNESS FOR A PARTICULAR PURPOSE. Cypress reserves the right to make changes without further notice to the materials described herein. Cypress does not assume any liability arising out of the application or use of any product or circuit described herein. Cypress does not authorize its products for use as critical components in life-support systems where a malfunction or failure may reasonably be expected to result in significant injury to the user. The inclusion of Cypress' product in a life-support systems application implies that the manufacturer assumes all risk of such use and in doing so indemnifies Cypress against all charges.

Use may be limited by and subject to the applicable Cypress software license agreement.

Contents



1. Introduction	5
1.1 Kit Contents	5
1.1.1 Hardware Not Included With Kit	5
1.2 Getting Started	6
1.2.1 Configuring the CY4501 CCG1 DVK Host, Client, and EMCA Boards	6
1.3 List of Recommended Hardware	6
1.3.1 Recommended Cables	6
1.3.2 Recommended Power Adapter	6
2. Kit Installation	7
2.1 CY4501 CCG1 DVK Kit Software Installation	7
3. CCG1 Host Board	11
3.1 Block Diagram	11
3.2 Features	12
3.3 Connecting to Embedded Controller or Host Processor	12
3.4 Connectors and Jumper Settings	13
3.5 Powering the Host Board	15
4. CCG1 Client Board	16
4.1 Block Diagram	16
4.2 Features	17
4.3 Connectors and Jumper Settings	18
4.4 Powering the Client Board	20
5. CCG1 EMCA Board	21
5.1 Block Diagram	21
5.2 Configurations and Jumper Settings	22
5.2.1 SOP' One-Chip/Cable Configuration	23
5.2.2 SOP' Two-Chip/Cable Configuration	24
5.2.3 SOP'/SOP'' Two-Chip/Cable Configuration	25
6. Kit Operation for SuperSpeed USB Demonstration	26
6.1 SuperSpeed USB Demo	26
6.2 Boards, Cables, and Accessories Needed	26
6.3 Running the SuperSpeed USB Demo	26
6.4 Explanation of Functionality	30
6.5 Common Problems and Troubleshooting	30
7. Kit Operation for DisplayPort Demonstration	31
7.1 DisplayPort Alternate Mode Demo	31

- 7.2 Boards, Cables, and Accessories Needed 31
- 7.3 Running the DisplayPort Alternate Mode Demo 31
- 7.4 Common Problems and Troubleshooting 32
- 8. Kit Operation for Power Delivery Demonstration 33**
 - 8.1 Power Delivery Demo 33
 - 8.2 Boards, Cables, and Accessories Needed 33
 - 8.3 Running the Power Delivery Demo 33
 - 8.4 Common Problems and Troubleshooting 35
- 9. Programming CCG1 Devices on CY4501 CCG1 DVK Boards 36**
 - 9.1 Programming the CCG1 Device on CCG1 Host Board 36
 - 9.2 Programming the CCG1 Device on CCG1 Client Board 38
 - 9.3 Programming the CCG1 Devices on CCG1 EMCA Board 39
- 10. Appendix A: Terminology 41**
- Revision History 42**
 - Document Revision History 42

2. Introduction



The CY4501 CCG1 Development Kit (DVK) is based on the CCG1 product family of Cypress's USB microcontrollers. This DVK is primarily intended to be a development vehicle for USB host and client systems that house a Type-C connector as well as for EMCA cables. For USB Power Delivery (PD), the host and client boards available in this kit can be configured as a downstream facing port (DFP), an upstream facing port (UFP), or a dual role port (DRP). The kit also serves as a vehicle to evaluate several features for Type-C, using a SuperSpeed USB demo, a DisplayPort demo and a Power Delivery demo as examples.

2.1 Kit Contents

The CY4501 CCG1 DVK consists of the following contents:

- CCG1 host board
- CCG1 client board
- CCG1 Electronically Marked Cable Assembly (EMCA) board
- SuperSpeed USB Type-A to Type-B cable
- Two USB 2.0 Type-A to Mini-B cables
- MiniProg3
- Quick Start Guide

2.1.1 Hardware Not Included With Kit

The CY4501 CCG1 DVK does not come with all of the hardware needed to perform the demonstrations documented in [Kit Operation for SuperSpeed USB Demonstration](#), [Kit Operation for DisplayPort Demonstration](#), and [Kit Operation for Power Delivery Demonstration](#). The following items are not included:

- USB drive needed for [Kit Operation for SuperSpeed USB Demonstration](#) and [Kit Operation for DisplayPort Demonstration](#).
- DisplayPort cables needed for [Kit Operation for DisplayPort Demonstration](#). They are required to make connections from a PC to the CCG1 host board and from the CCG1 client board to the display monitor. If the PC has a mini-DisplayPort, then a mini-DisplayPort to DisplayPort cable will be required.
- A 24 V, 5A output capable Power Supply needed for [Kit Operation for Power Delivery Demonstration](#). This is required to provide 24 V to the client board as an input to the Power Delivery demo.
- A multimeter needed for [Kit Operation for Power Delivery Demonstration](#). A standard multimeter is required to measure the output voltage on the client board to successfully demonstrate Power Delivery functionality.

2.2 Getting Started

For instructions on how to run a quick demonstration and observe kit functionality, refer to [Kit Operation for SuperSpeed USB Demonstration](#).

2.2.1 Configuring the CY4501 CCG1 DVK Host, Client, and EMCA Boards

Refer to [Kit Operation for SuperSpeed USB Demonstration](#) for complete instructions on configuring the CY4501 CCG1 DVK host, client, and EMCA boards and to learn about configuring the DVK and connecting it to a PC.

2.3 List of Recommended Hardware

2.3.1 Recommended Cables

See [Table 2-1](#) to obtain a set of cables recommended to work with this kit. This kit is not shipped with these cables and they are required to operate the DisplayPort Alternate Mode Demo explained in the [Kit Operation for DisplayPort Demonstration](#) chapter.

Table 2-1. List of Recommended Cables

Description	Manufacturer	MPN	Vendor Link
DisplayPort to DisplayPort Cable (6", gold plated)	Cable Matters	102005-6	Amazon Link
Mini DisplayPort to DisplayPort Cable (3", gold plated)	Cable Matters	101007-BLACK-3	Amazon Link

Use item 1 in [Table 2-1](#) if the PC being used has a DisplayPort connector. If the PC has a mini DisplayPort connector, use item 2 in [Table 2-1](#). If the DisplayPort monitor has a regular DisplayPort connector, use item 1 in [Table 2-1](#). Use item 2 in [Table 2-1](#) if the DisplayPort monitor being used has a Mini DisplayPort connector.

2.3.2 Recommended Power Adapter

The recommended power adapter to use when performing the demo described in [Kit Operation for Power Delivery Demonstration](#) is the AC/DC desktop adaptor (24 V, 120 W) from Phihong USA (MPN #: PSA120U-240V). The vendor link from Digikey can be found [here](#).

3. Kit Installation



This chapter describes how to perform the installation steps for the CY4501 CCG1 DVK.

3.1 CY4501 CCG1 DVK Kit Software Installation

To install the kit software, follow these steps:

1. Download the latest kit software setup “CY4501 CCG1 DVK COMPLETE SETUP” from the kit’s website: www.cypress.com/go/CY4501. This package contains the kit hardware files, user guide, quick start guide, and PSoC Programmer software. Double-click on the executable to start the installation. Click **Next** when the screen shown in [Figure 3-1](#) appears.

Figure 3-1. CY4501 CCG1 DVK Installer Screen



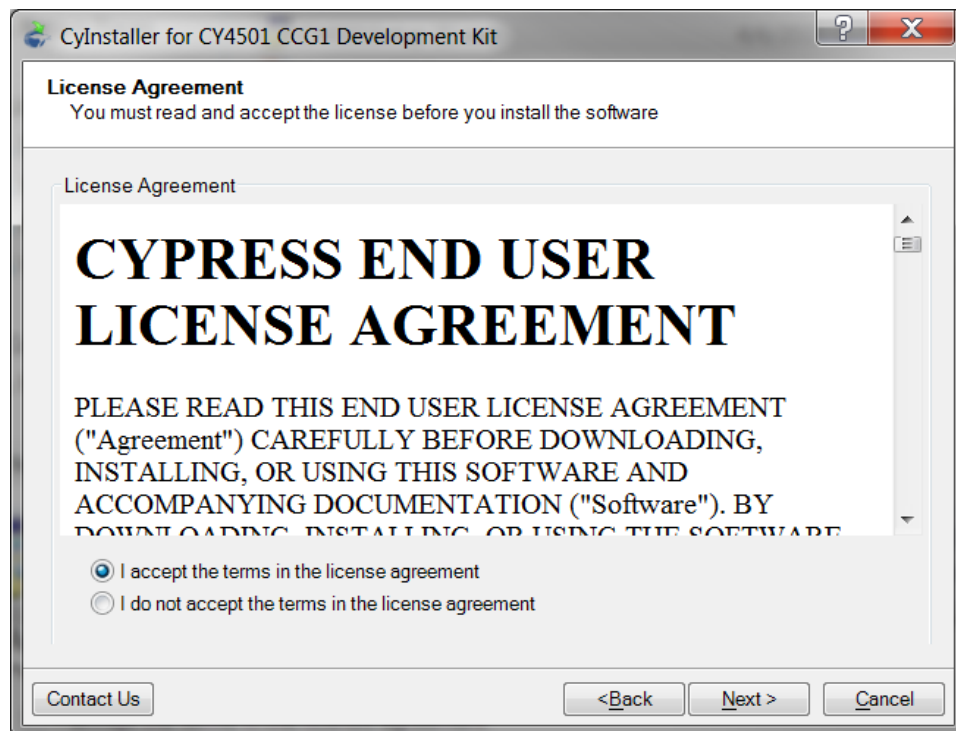
2. Select the required **Installation Type** and click the **Next** button to start the install ([Figure 3-2](#)). For first-time installation, it is recommended that you select “Typical” as the **Installation Type**.

Figure 3-2. Installation Wizard



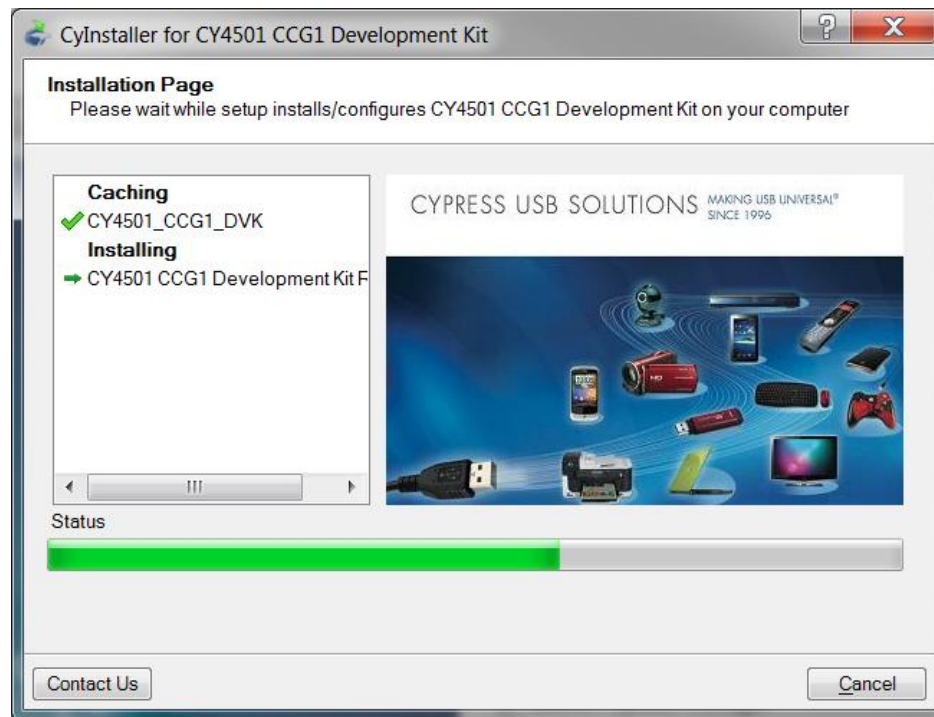
3. Accept the license agreement for the software components and click **Next** (Figure 3-3).

Figure 3-3. License Agreement



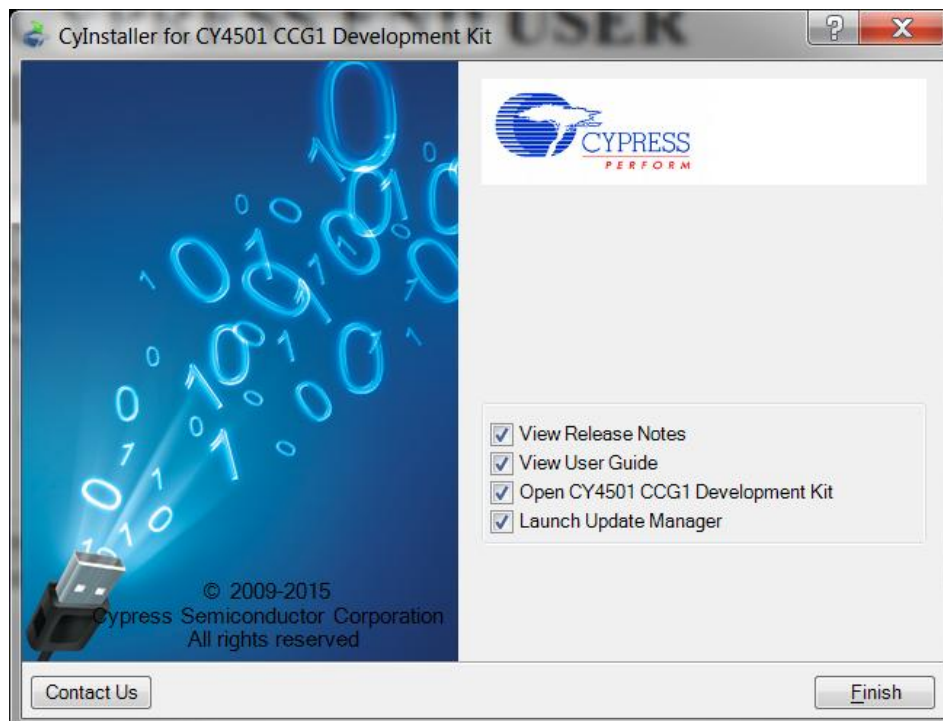
4. Figure 3-4 shows the installation progress.

Figure 3-4. Installation Progress



5. Click **Finish** when complete (Figure 3-5).

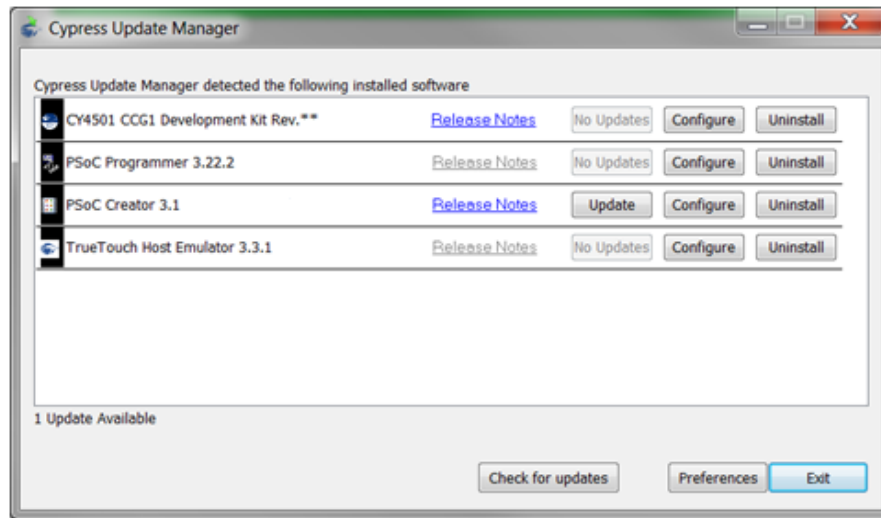
Figure 3-5. Software Installation Complete



6. When installation is complete, you have the option to **Launch Cypress Update Manager** (Figure 3-6) to ensure you have the latest software package. Click the **Check for updates** button at the bottom of the window. If “No Updates”

appears adjacent to the CY4501 CCG1 DVK, click the **Exit** button. If there are updates, click the **Update** button to download and install the latest kit package.

Figure 3-6. Cypress Update Manager



Note: You can launch the Update Manager at any time from **Windows > Start > All Programs > Cypress > Cypress Update Manager**.

- After the installation is complete, the contents are available at the following location: <Install Directory>\CY4501 CCG1 DVK\1.0.

Note: On the Windows 32-bit platform, the default <Install Directory> is C:\Program Files\Cypress; on the Windows 64-bit platform, it is C:\Program Files(x86)\Cypress.

4. CCG1 Host Board

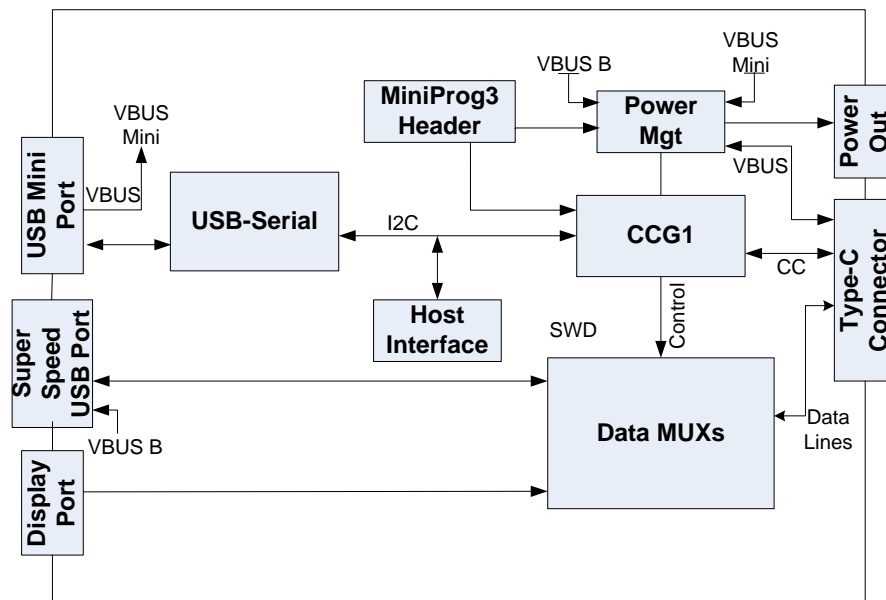


The CCG1 host board is an evaluation board equipped with a CCG1 (CYPD1131-35FNXI), a Type-C connector, a USB Mini-B port, a SuperSpeed USB port Type-B, and a DisplayPort interface. This evaluation board supports notebooks, tablets, smart phones, and other applications that would host a Type-C interface. It is primarily intended as a development vehicle for USB host systems that house a Type-C connector. For USB PD, the board can be configured as a DFP, UFP, or DRP. The user can connect this board to a host processor or embedded controller (EC) to develop USB PD applications. The board also serves as a vehicle to evaluate the Alternate Modes for Type-C, using DisplayPort video as an example. In addition, it can be reconfigured to program and test EMCA cables.

4.1 Block Diagram

Figure 4-1 shows the CCG1 host board block diagram. On the board, the CCG1 device provides a host processor interface (HPI) to a PC via a USB-Serial connection or to an external Embedded Controller (EC) and a Type-C connector for the USB PD interface. Also included is a power connector, a SuperSpeed USB port Type-B, and a DisplayPort connector to source video. The MiniProg3 device shipped with this kit can be connected to a PC to reprogram the firmware in the CCG1 device via the 5-pin programming header J5 using PSoC Programmer software from Cypress. The SuperSpeed USB signals and DisplayPort signals are delivered to the Type-C connector through a high-speed multiplexer controlled by the CCG1 device. The power to this board is connected to a circuit that allows power to be sourced from either a 5 V rail supplied by the USB Mini port, MiniProg3, USB SuperSpeed connector or VBUS that is part of the Type-C connector (when the Type-C port on this host board is acting as a power consumer).

Figure 4-1. CCG1 Host Board Block Diagram



4.2 Features

Table 4-1 shows the features of the CCG1 host board.

Table 4-1. CCG1 Host Board Features

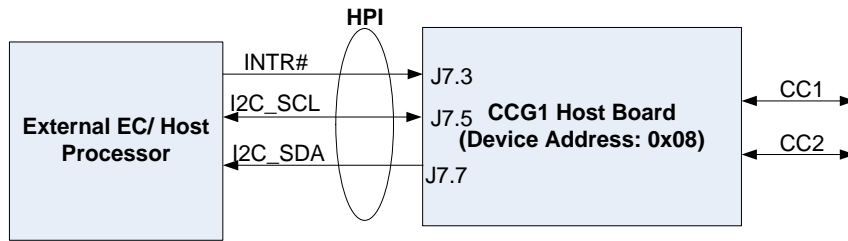
Feature	Description
CCG1 part number	CYPD1131-35FNXI
CCG1 package	35-CSP
USB PD/ Type-C	Ability to support DRP, DFP, and UFP
	Type-C VBUS current setting via a jumper that selects one of the three Rp values. These three values correspond to the three currents as defined in the Type-C specification.
	VBUS provider field-effect transistor (FET) control for cold socket
	VBUS consumer FET control
	VBUS discharge FET control
	Ability to present either Rd or Rp on CC line
	Dead battery support
OVP and OCP	VCONN or VBUS over-current protection
	VBUS overvoltage protection
Plug orientation, Detection and Alternate modes	Five MUX-select pins to select between SuperSpeed USB and 2-lane or 4-lane DisplayPort
	Hot Plug Detect (HPD) for DisplayPort Alternate Mode of operation
USB Type-B Mini	USB Mini-B receptacle connected to USB-to-serial device
I ² C interface	I ² C pins and interrupt output pin for connecting to an Embedded Controller (EC)
Programming	SWD pins to debug/program CCG1 using Cypress MiniProg3
Power	5 V from USB Mini
	5 V from SuperSpeed USB Type-B (default power for the board)
	5 V from MiniProg3
	5 V to 20 V from Type-C connector

4.3 Connecting to Embedded Controller or Host Processor

The CCG1 host board provides a Host Processor Interface (HPI) to interface to an external EC. In terms of hardware, the HPI is a three-pin interface composed of I²C (SDA and SCL) and an interrupt signal. The CCG1 device on the host board implements the HPI over a 400-kHz I²C slave interface (CCG1 I²C slave device address: 0x08) with an interrupt line. The CCG1 HPI allows the EC/host processor to change the configuration, monitor status, update firmware, or transparently interact with connected devices using unstructured vendor-defined messages (VDMs). When connecting the EC to communicate with the CCG1 device on the host board, it is recommended that the USB-Serial device be disconnected from this CCG1 device. This can be done by reconfiguring the I2C pins as input GPIOs using the [USB serial configuration utility](#).

Figure 4-2 shows the how the EC and CCG1 host board are connected. The HPI pins are located on connector J7. Pin 7 of J7 (J7.7) is I2C_SDA, pin 5 (J7.5) is I2C_SCL, and pin 3 (J7.3) is INT (see [Table 4-2](#)).

Figure 4-2. Connection Between EC and CCG1 Host Board



4.4 Connectors and Jumper Settings

Figure 4-3 and Figure 4-4 show the CCG1 host board connectors and default jumper settings. Table 4-2 shows a detailed description of the connectors and jumper settings.

Figure 4-3. CCG1 Host Board Connectors

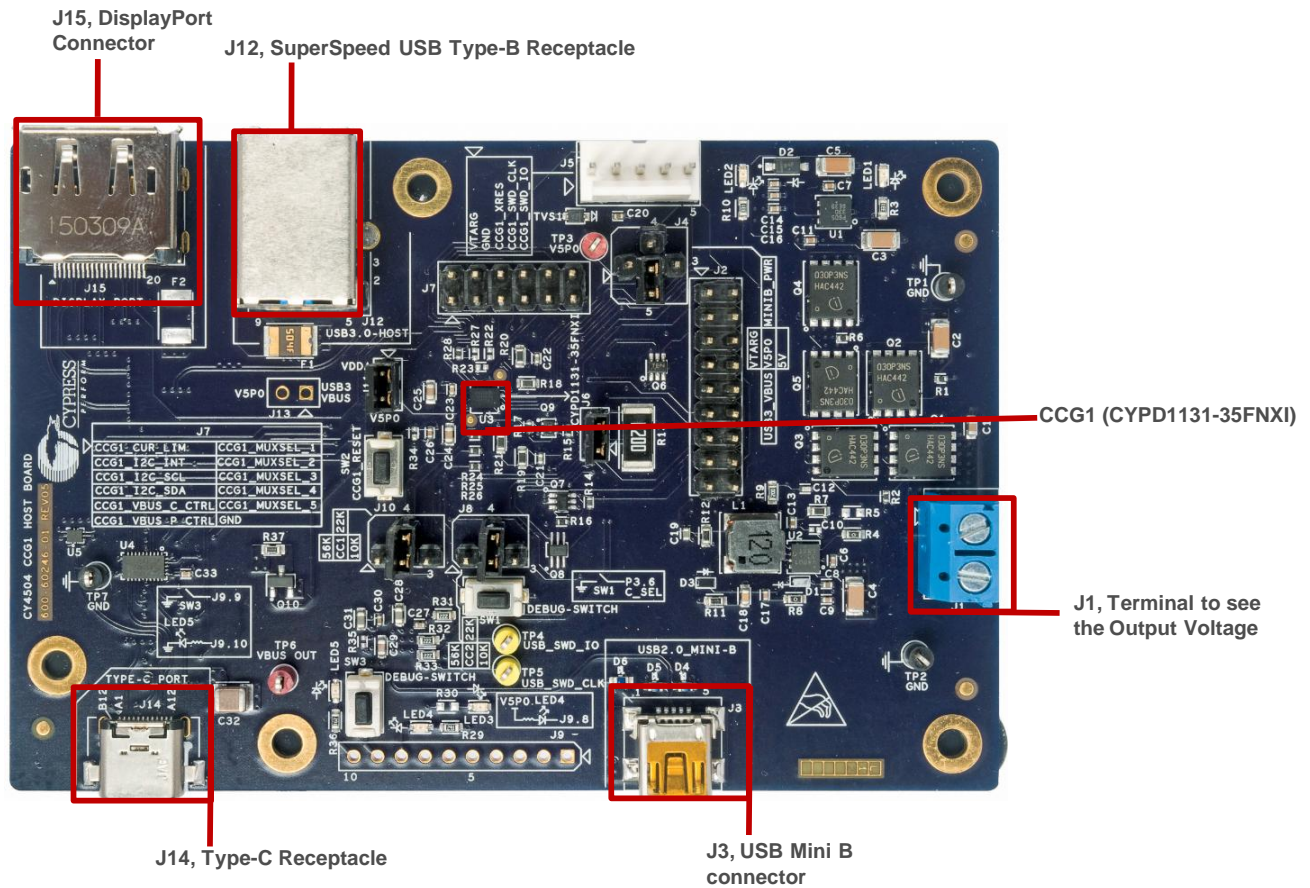


Figure 4-4. CCG1 Host Board Default Jumper Settings

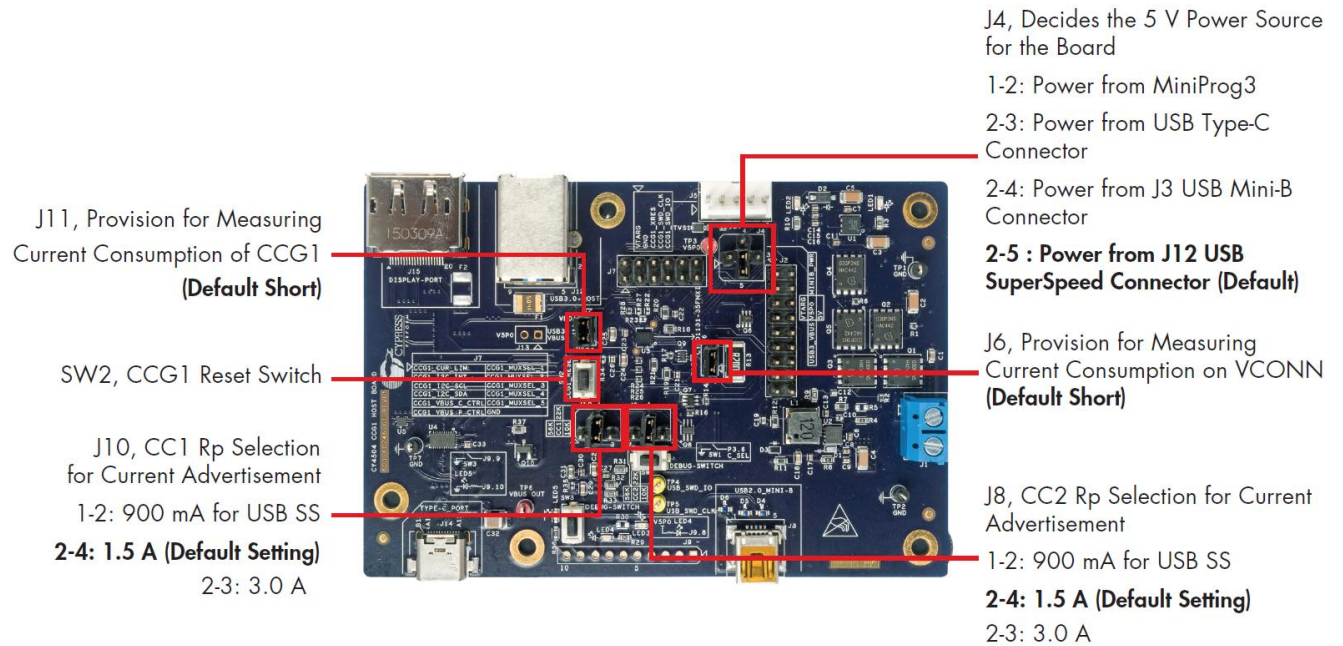


Table 4-2. CCG1 Host Board Jumper Description and Default Settings

Jumper	Description	Default	
J1	Terminal Block to measure the incoming voltage from client board	NA	
J2	Header for signal probing	NA	
	Pin 1: CC1_RP_EXT		Pin 2: CCG1_DEV_DET
	Pin 3: CC2_RD_EXT		Pin 4: CCG1_CC1_CTRL
	Pin 5: CC2_RP_EXT		Pin 6: CCG1_CC2_CTRL
	Pin 7: CC2_RD_EXT		Pin 8: CCG1_CC2
	Pin 9: CCG1_VBUS_VREF		Pin 10: CCG1_XRES
	Pin 11: CCG1_VBUS_VMON		Pin 12: CCG1_CC1
	Pin 13: VBUS_DISCHARGE		Pin 14: CCG1_HOTPLUG_DET
	Pin 15: NC		Pin 16: NC
Pin 17: 5 V supply	Pin 18: GND		
J3	USB 2.0 Mini-B connector (receptacle)	NA	
J4	Board power supply selection (ensure J13 is open): 1 and 2 short: Select the power supply from J5, MiniProg3. 2 and 4 short: Select the power supply from J3, USB Mini-B connector. 2 and 3 short: Select the power supply from J14, USB Type-C connector. 2 and 5 short: Select the power supply from J12, SuperSpeed USB connector.	2 and 5 short	
J5	Programming Header Pin 1: VTARG Pin 2: GND Pin3: CCG1_XRES Pin4: CCG1_SWD_CLK Pin5: CCG1_SWD_IO	NA	
J6	Header for VCONN power consumption measurement: Short: Normal operation. Open: Connect 1 and 2 to ammeter.	Short	

Jumper	Description		Default
J7	Pin 1: CCG1_CUR_LIM	For HPI Interface	Pin 2: CCG1_MUXSEL_1
	Pin 3: CCG1_I2C_INT		Pin 4: CCG1_MUXSEL_2
	Pin 5: CCG1_I2C_SCL		Pin 6: CCG1_MUXSEL_3
	Pin 7: CCG1_I2C_SDA		Pin 8: CCG1_MUXSEL_4
	Pin 9: CCG1_VBUS_C_CTRL		Pin 10: CCG1_MUXSEL_5
	Pin 11: CCG1_VBUS_P_CTRL		Pin 12: GND
J8	CC2 Rp selection for current advertisement: 1 and 2 short: 500 mA for USB 2.0, 900 mA for SuperSpeed USB (default USB current) 2 and 4 short: 1.5 A 2 and 3 short: 3.0 A		2 and 4 short
J9	USB Serial Debug Header Pin 1: SCB0_0 Pin 2: SCB0_1 Pin 3: SCB0_2 Pin 4: SCB0_3 Pin 5: SCB0_4 Pin 6: SCB0_5 Pin 7: GPIO_0 Pin 8: Connected to cathode of LED4 Pin 9: Connected to Pin2 of SW3 Pin 10: Connected to LED5 via R36		This jumper is not populated
J10	CC1 Rp selection for current advertisement: 1 and 2 short: 500 mA for USB 2.0, 900 mA for SuperSpeed USB (default USB current) 2 and 4 short: 1.5 A 2 and 3 short: 3.0 A		2 and 4 short
J11	Header for CCG1 power consumption measurement: Short: Normal operation. Open: Connect 1 and 2 to ammeter.		Short
J12	SuperSpeed USB Type-B connector (receptacle)		NA
J13	Reserved & not populated.		NA
J14	USB Type-C connector (receptacle)		NA
J15	Display port Connector		NA

4.5 Powering the Host Board

The host board by default is powered up by connecting the SuperSpeed USB connector J12 to a USB SuperSpeed cable (shipped with the board) and its other end to a 5 V (USB Type-A) source. For other options to power up the board, refer to [Table 4-2](#) (selection for jumper J4 and J13).

5. CCG1 Client Board

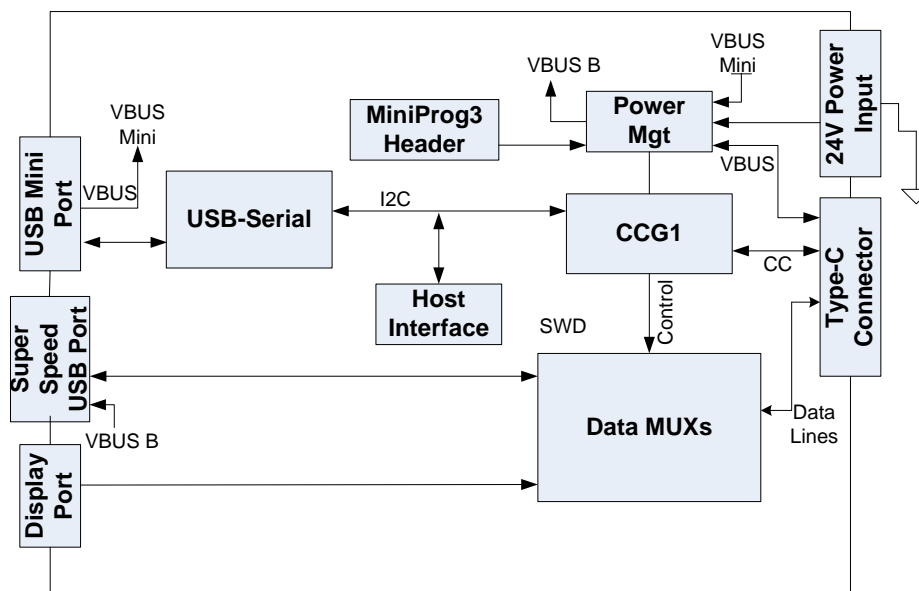


The CCG1 client board is an evaluation board that is equipped with a CCG1 (CYPD1121-40LQXI), a Type-C connector, a SuperSpeed USB port Type-A, and a DisplayPort connector. This development board supports Type-C client applications such as monitors and docking stations. This board is capable of supplying up to 100W (20V, 5A) power over the Type-C connector. It can also be used to evaluate connectivity and communication with Type-C hosts (notebooks, tablets, and mobile phones). It is primarily intended as a development vehicle for USB peripherals that house a Type-C connector. For USB PD, the board can be configured as a DFP, UFP, or DRP. The user can connect this board to a host processor or embedded controller (EC) to develop USB PD applications. The board also serves as a vehicle to evaluate the Alternate Modes for Type-C, using DisplayPort video as an example.

5.1 Block Diagram

Figure 5-1 shows the block diagram of the CCG1 client board. On the board, the CCG1 device provides a host processor interface (HPI) to a PC via a USB-Serial connection or to an external Embedded Controller (EC) and a Type-C connector for the USB PD interface. Also included is a power connector, a SuperSpeed USB port Type-B, and a DisplayPort connector to source video. The MiniProg3 device shipped with this kit can be connected to a PC to reprogram the firmware in the CCG1 device via the 5-pin programming header J8 using PSoC Programmer software from Cypress. The SuperSpeed USB signals and DisplayPort signals are delivered to the Type-C connector through a high-speed multiplexer controlled by the CCG1 device. The power to this board is connected to a circuit that allows power to be sourced from either a 5 V rail supplied by the USB Mini port, MiniProg3, 24 V power jack or VBUS that is part of the Type-C connector.

Figure 5-1. Block Diagram of CCG1 Client Board



5.2 Features

Table 5-1 lists the CCG1 client board features.

Table 5-1. CCG1 Client Board Features

Feature	Description
CCG1 part number	CYPD1121-40LQXI
CCG1 package	40-QFN
USB PD/ Type-C	Ability to support DRP, DFP, and UFP
	Type-C current set via a jumper that selects one of the three resistor Rp values, corresponding to the three Type-C currents defined in the Type-C specification.
	Supports the following PD capabilities (VSEL pins): 5 V at 5 A 12 V at 5 A 20 V at 5 A
	VBUS provider FET control for cold socket
	VBUS discharge control FET
	Rd resistor
OVP and OCP	VCONN over-current protection
	VBUS overvoltage protection
	VBUS over-current protection
Plug orientation, Detection and Alternate modes	Five MUX-select pins to select between SuperSpeed USB and 2-lane or 4-lane DisplayPort
	HPD for DisplayPort Alternate Mode operation
Configuration pin (C_SEL)	One CSEL pin to set configuration profile for firmware operation
USB Type-B Mini	USB Mini connected to USB-to-serial device
Programming	SWD pin debugging/programming using MiniProg3 device
Device detect	FW profile configured DEVICE_DETECT output pin to indicate type of device connected
Power	24 V _{DC} 5 V from USB Mini-B 5 V from MiniProg3 (used when programming CCG1 from MiniProg3) 5 V regulated from Type-C connector

5.3 Connectors and Jumper Settings

Figure 5-2 and Figure 5-3 show the CCG1 client board connectors and default jumper settings. Table 5-2 lists the jumpers and header description and default settings.

Figure 5-2. CCG1 Client Board Connectors

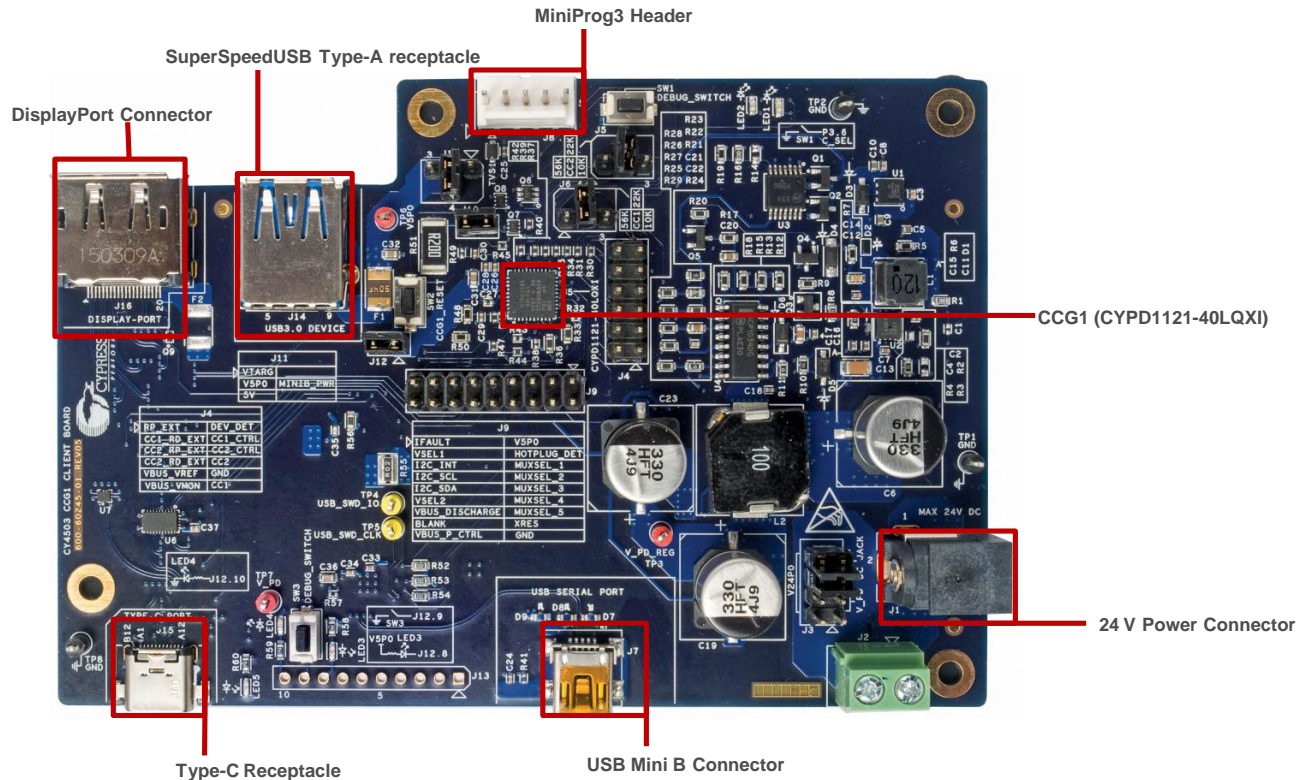


Figure 5-3. CCG1 Client Board Default Jumper Settings

J11, Decides the Power Source
 1-2: Power from MiniProg3
 2-3: 5 V power regulated from 24 VDC, Also see J3 settings.
2-4: Power from J7 USB Mini-B Connector (Default)

J10, Provision for Measuring Current Consumption on VCONN (**Default Short**)

SW2, CCG1 Reset Switch

J12, Provision for Measuring Current Consumption of CCG1 (**Default Short**)

J5, J6, Rp Selection on CC2 and CC1
 1-2: 900 mA for USB SS
2-4: 1.5 A (Default Setting)
 2-3: 3.0 A

J3, Decides the Power Source
 1-2 and 3-4 Shorted: Power from Type-C Connector
5-6 and 7-8 Shorted: Power from 24 V Power Jack (Default Short)

Table 5-2. CCG1 Client Board Jumper Description and Default Settings

Jumper	Description		Default
J1	Terminal Jack for 24 V supply		NA
J2	Terminal Block for 24 V supply		This jumper is not populated
J3	Jumper used to choose board power from Type-C connector and 24 V DC power jack Short 1 & 2 and 3 & 4: Power from Type-C connector Short 5 & 6 and 7 & 8: Power from 24 V power jack (Normal operation)		5 & 6 and 7 & 8 shorted
J4	Header for signal probing		NA
	Pin 1: CC1_RP_EXT	Pin 2: CCG1_DEV_DET	
	Pin 3: CC1_RD_EXT	Pin 4: CCG1_CC1_CTRL	
	Pin 5: CC2_RP_EXT	Pin 6: CCG1_CC2_CTRL	
	Pin 7: CC2_RD_EXT	Pin 8: CCG1_CC2	
	Pin 9: CCG1_VBUS_VREF	Pin 10: GND	
	Pin 11: CCG1_VBUS_VMON	Pin 12: CCG1_CC1	
J5	CC2 Rp selection for current advertisement: 1 and 2 short: 500 mA for USB 2.0, 900 mA for SuperSpeed USB (default USB current) 2 and 4 short: 1.5 A 2 and 3 short: 3.0 A		2 and 4 short
J6	CC1 Rp selection for current advertisement: 1 and 2 short: 500 mA for USB 2.0, 900 mA for SuperSpeed USB (default USB current) 2 and 4 short: 1.5 A 2 and 3 short: 3.0 A		2 and 4 short
J7	USB 2.0 Mini-B connector (receptacle)		NA
J8	Programming Header Pin 1: VTARG Pin 2: GND Pin3: CCG1_XRES Pin4: CCG1_SWD_CLK Pin5: CCG1_SWD_IO		NA
J9	Pin 1: CCG1_IFAULT	Pin 2: 5 V	NA
	Pin 3: CCG1_VSEL1	Pin 4: CCG1_HOTPLUG_DET	
	Pin 5: CCG1_I2C_INT	Pin 6: CCG1_MUXSEL_1	
	Pin 7: CCG1_I2C_SCL	Pin 8: CCG1_MUXSEL_2	
	Pin 9: CCG1_I2C_SDA	Pin 10: CCG1_MUXSEL_3	
	Pin 11: CCG1_VSEL2	Pin 12: CCG1_MUXSEL_4	
	Pin 13: CCG1_VBUS_DISCHARGE	Pin 14: CCG1_MUXSEL_5	
	Pin 15: CCG1_BLANK	Pin 16: CCG1_XRES	
	Pin 17: CCG1_VBUS_P_CTRL	Pin 18: GND	

Jumper	Description	Default
J10	Header for VCONN power consumption measurement: Short: Normal operation. Open: Connect 1 and 2 to ammeter.	Short
J11	Board power supply selection: 1 and 2 short: Select the power supply from MiniProg3 (J8). Settings on J3 can be disregarded for this configuration. 2 and 4 short: Select the power supply from J7, USB Mini-B connector. Settings on J3 can be disregarded for this configuration. 2 and 3 short: Select the power supply from regulated 5 V from 24 V power jack or Type-C connector (this is determined by jumper J3's settings)	2 and 4 short
J12	Header for CCG1 power consumption measurement: Short: Normal operation. Open: Connect 1 and 2 to ammeter.	Short
J13	USB Serial Debug Header Pin 1: SCB0_0 Pin 2: SCB0_1 Pin 3: SCB0_2 Pin 4: SCB0_3 Pin 5: SCB0_4 Pin 6: SCB0_5 Pin 7: GPIO_0 Pin 8: Connected to cathode of LED3 Pin 9: Connected to Pin2 of SW3 Pin 10: Connected to LED4 via R59	NA
J14	SuperSpeed USB Type-A connector (receptacle)	NA
J15	USB Type-C connector (receptacle)	NA
J16	Display port Connector	NA

5.4 Powering the Client Board

The client board by default is powered by connecting the USB Mini-B cable (shipped with the board) to a 5 V (USB Type-A) source. For other options to power the board, refer to [Table 5-2](#) (selections for jumper J3 and J11).

6. CCG1 EMCA Board



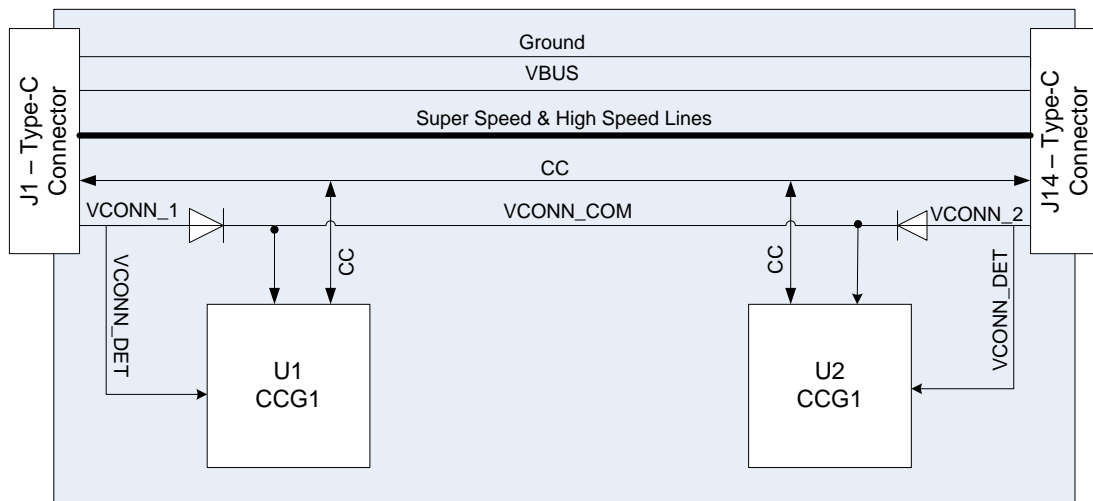
The CCG1 EMCA board is an evaluation vehicle that demonstrates the CCG1 device's capability to act as an electronic marker for cable assemblies. The board is equipped with two CCG1 devices that can demonstrate SOP' and SOP'' communication. It supports three cable configurations:

- SOP': One chip per cable (default setting)
- SOP': Two chips per cable
- SOP'/SOP'': Two chips per cable

6.1 Block Diagram

Figure 6-1 shows the CCG1 EMCA board block diagram. The CCG1 devices are connected to CC to communicate with the DFP (or the power provider) with SOP' or SOP'' packets.

Figure 6-1. CCG1 EMCA Board Block Diagram



6.2 Configurations and Jumper Settings

The CCG1 EMCA board supports three cable configurations by changing jumper settings.

Table 6-1 shows the jumper description and factory settings (default). The following subsections show the block diagrams and jumper settings for each configuration.

Table 6-1. CCG1 EMCA Board Jumper Description and Default Settings

Jumper No.	Description	Default Settings	
J1, J14	Type-C connectors	NA	
J2	Control disconnection of VCONN Ra resistor for J14 Type-C connector: 2 and 3 short: U1 (far end CCG1) controls disconnection of J14 VCONN Ra resistor. 1 and 2 short: U2 (near end CCG1) controls disconnection of J14 VCONN Ra resistor.	2 and 3 short	
J3	Control disconnection of VCONN Ra resistor for J1 Type-C connector: 1 and 2 short: U1 (near end CCG1) controls disconnection of J1 VCONN Ra resistor. 2 and 3 short: U2 (far end CCG1) controls disconnection of J1 VCONN Ra resistor.	1 and 2 short	
J4	U2 CC line connection: 1 and 2 short: U2 connects to CC. 1 and 2 open: U2 disconnects from CC.	Open	
J5	This jumper is used to measure VCONN power consumption. This jumper must be shorted in all configurations.	1 and 2 short	
J6	U1 VDD (power) selection: Short 1 and 2: U1 VDD connects to VCONN_COM. Short 2 and 3: U1's VDD connects to J1's (Type-C connector) VCONN	1 and 2 short	
J7	U2 VDD (power) selection: Short 1 and 2: U2 VDD connects to VCONN_COM. Short 2 and 3: U2 VDD connects to J14's (Type-C connector) VCONN.	Open	
J8	MiniProg3 SWD programming connector for programming U1 CCG1	NA	
J9	MiniProg3 SWD programming connector for programming U2 CCG1	NA	
J10	U2 – Check the status of VCONN_DET (J14): 1 and 2 short: Check the status of VCONN_DET (J14) to decide whether to respond to SOP' or SOP". 1 and 2 open: Do not check the status of VCONN_DET (J14) and respond to SOP' only.	Open	
J11	U1 – Check the status of VCONN_DET (J1): 1 and 2 short: Check the status of VCONN_DET (J1) to decide whether to respond to SOP' or SOP". 1 and 2 open: Do not check the status of VCONN_DET (J1) and respond to SOP' only.	Open	
J12 (for U1 device) and J13 (for U2 device)	Debug Headers	NA	
	Pin 1: Ux_GPIO_P4.3		Pin 2: Ux_GPIO_P2.6
	Pin 3: Ux_GPIO_P4.2		Pin 4: Ux_GPIO_P2.5
	Pin 5: Ux_GPIO_P0.5		Pin 6: Ux_I2C_SDA
	Pin 7: Ux_GPIO_P0.6		Pin 8: Ux_I2C_SCL
	Pin 9: Ux_GPIO_P3.4		Pin 10: Ux_GPIO_P1.7
	Pin 11: Ux_GPIO_P3.1		Pin 12: NC
	Pin 13: Ux_GPIO_P1.6		Pin 14: NC
	Pin 15: Ux_GPIO_P3.0		Pin 16: Ux_TXEN_P0.2'
	Pin 17: Ux_GPIO_P2.7		Pin 18: GND

6.2.1 SOP' One-Chip/Cable Configuration

This configuration is the factory default setting, as shown in Figure 6-2. In this configuration, only one CCG1 device (U1) is connected to the CC line and VCONN (power). U2 is disconnected from both CC line and VCONN. The CCG1 EMCA board communicates with the DFP through SOP' packets only. Figure 6-3 and Table 6-2 show the jumper settings for this configuration. In this configuration, the VCONN signal must route through the cable.

Figure 6-2. SOP' One-Chip/Cable Configuration Block Diagram

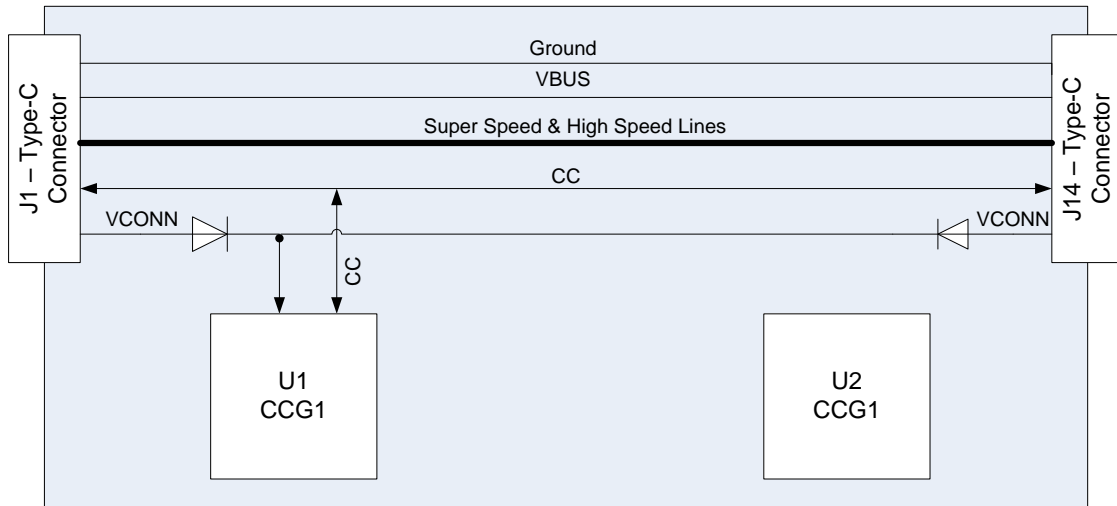


Figure 6-3. Jumper Settings for SOP' One-Chip/Cable Configuration

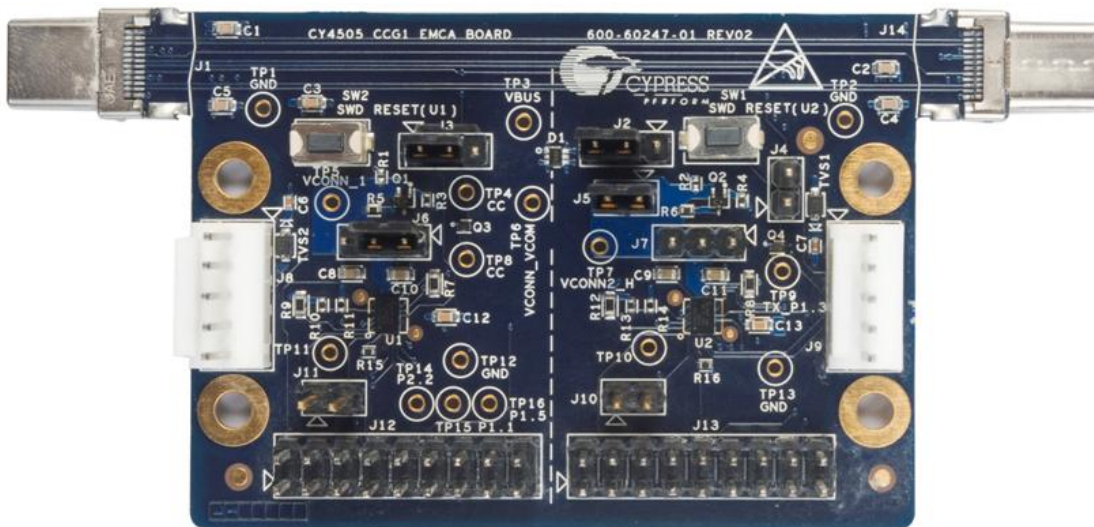


Table 6-2. Jumper Settings for SOP' One-Chip/Cable Configuration

Jumper No.	Jumper Settings for SOP' One-Chip/Cable Configuration
J2	2 and 3 short
J3	1 and 2 short
J4, J7, J10, J11	Open
J5	1 and 2 short
J6	1 and 2 short

6.2.2 SOP' Two-Chip/Cable Configuration

This configuration allows either of the CCG1 devices to communicate with SOP' packets, depending on which Type-C connector provides VCONN. Figure 6-4 shows the block diagram of this configuration. If VCONN is available at the J1 Type-C connector, the U1 CCG1 device will communicate via SOP' packets and the U2 CCG1 device will not be powered. Similarly, if VCONN is available at the J14 Type-C connector, the U2 CCG1 device will communicate via SOP' packets and the U1 CCG1 device will not be powered. Figure 6-5 and Table 6-3 show the jumper settings for this configuration. In this configuration, VCONN does not need to route through the cable.

Figure 6-4. SOP' Two-Chip/Cable Configuration Block Diagram

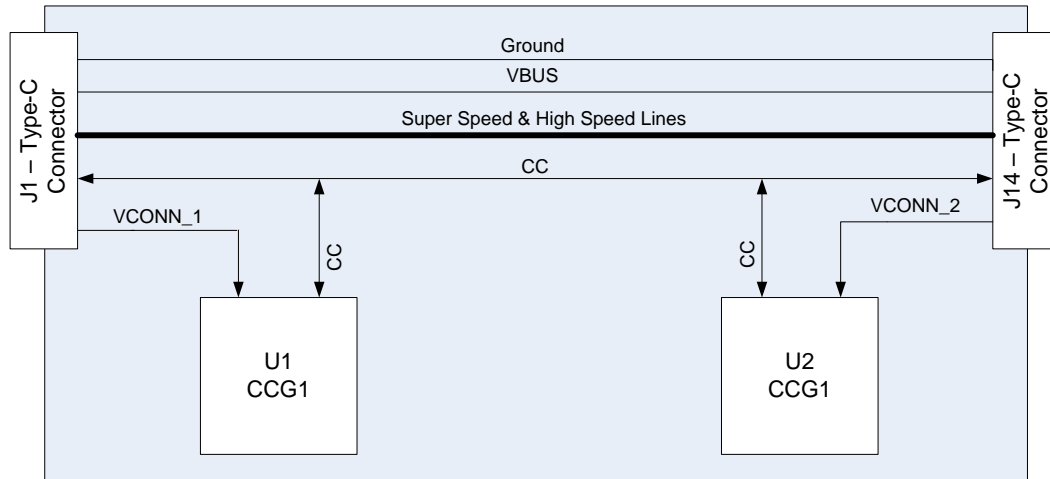


Figure 6-5. Jumper Settings for SOP' Two-Chip/Cable Configuration



Table 6-3. Jumper Settings for SOP' Two-Chip/Cable Configuration

Jumper No.	Jumper Settings for SOP' Two-Chip/Cable Configuration
J2, J3, J4, J5	1 and 2 short
J6	2 and 3 short
J7	2 and 3 short
J10	Open
J11	1 and 2 short

6.2.3 SOP'/SOP'' Two-Chip/Cable Configuration

In this configuration, one of the CCG1 devices communicates with SOP' packets, and the other communicates with SOP'' packets. Figure 6-6 shows the block diagram. In this configuration, one of the CCG1 devices detects the availability of VCONN; the CCG1 device that detects VCONN will communicate with SOP' packets. The CCG1 device that does not detect VCONN will communicate with SOP'' packets. For example, in Figure 6-6, if the U1 CCG1 detects that VCONN is available at the J1 Type-C connector, the U1 CCG1 will communicate with SOP' packets and the U2 CCG1 will communicate with SOP'' packets. Figure 6-7 and Table 6-4 show the jumper settings for this configuration.

Figure 6-6. SOP'/SOP'' Two-Chip/Cable Configuration Block Diagram

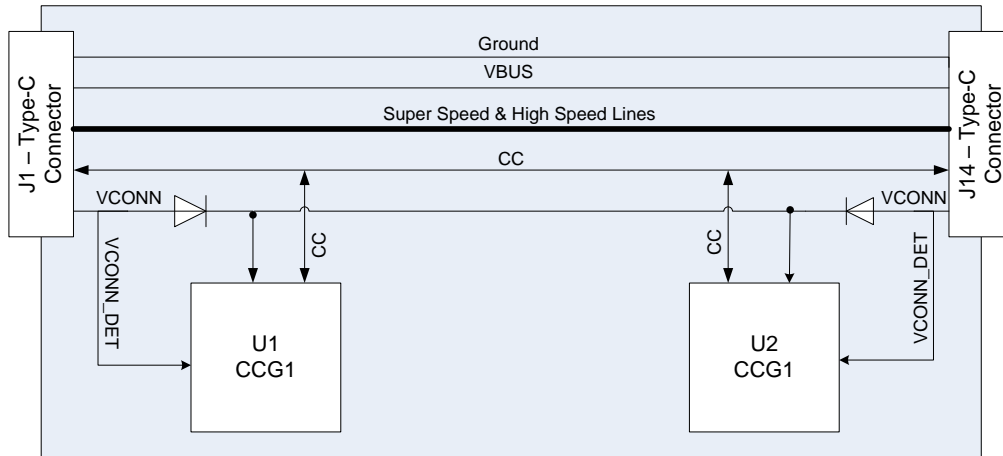


Figure 6-7. Jumper Settings for SOP'/SOP'' Two-Chip/Cable Configuration



Table 6-4. Jumper Settings for SOP'/SOP'' Two-Chip/Cable Configuration

Jumper No.	Jumper Settings for SOP'/SOP'' Two-Chip/Cable Configuration
J2	1 and 2 short
J3	1 and 2 short
J4	1 and 2 short
J5	1 and 2 short
J6	1 and 2 short
J7	1 and 2 short
J10	1 and 2 short
J11	1 and 2 short

7. Kit Operation for SuperSpeed USB Demonstration



This chapter describes how to configure the CY4501 CCG1 DVK host, client, and EMCA boards, connect them, and demonstrate operation and functionality as a SuperSpeed USB cable. It provides details about connecting a host (PC) to a client (USB drive) through the CY4501 CCG1 DVK boards, also referred to as the “SuperSpeed USB demo” in this kit guide.

7.1 SuperSpeed USB Demo

The SuperSpeed USB demo is a full end-to-end demo that demonstrates the following:

- Type-C connectivity between the DFP (host) and UFP (client)
- Reversibility of the Type-C cable.

7.2 Boards, Cables, and Accessories Needed

The following items are needed to perform this demo:

- USB Host Device (example: PC)
- CCG1 host board
- CCG1 client board
- CCG1 EMCA board
- SuperSpeed USB Type-A to Type-B cable for powering host board
- USB 2.0 Type-A to Mini-B cable for powering client board
- USB flash or disc drive (not provided with the kit. It is recommended to use a SuperSpeed USB flash drive)

7.3 Running the SuperSpeed USB Demo

1. Use the default jumper settings shown in [Figure 7-1](#), [Figure 7-2](#), and [Figure 7-3](#) to configure the CY4501 CCG1 host, client, and EMCA boards.

Figure 7-1. Host Board Jumper Settings for SuperSpeed USB Demo

The diagram shows a blue PCB with various components and jumpers. Red boxes and lines highlight specific jumper settings. Labels on the left and right describe the function and default settings for each jumper.

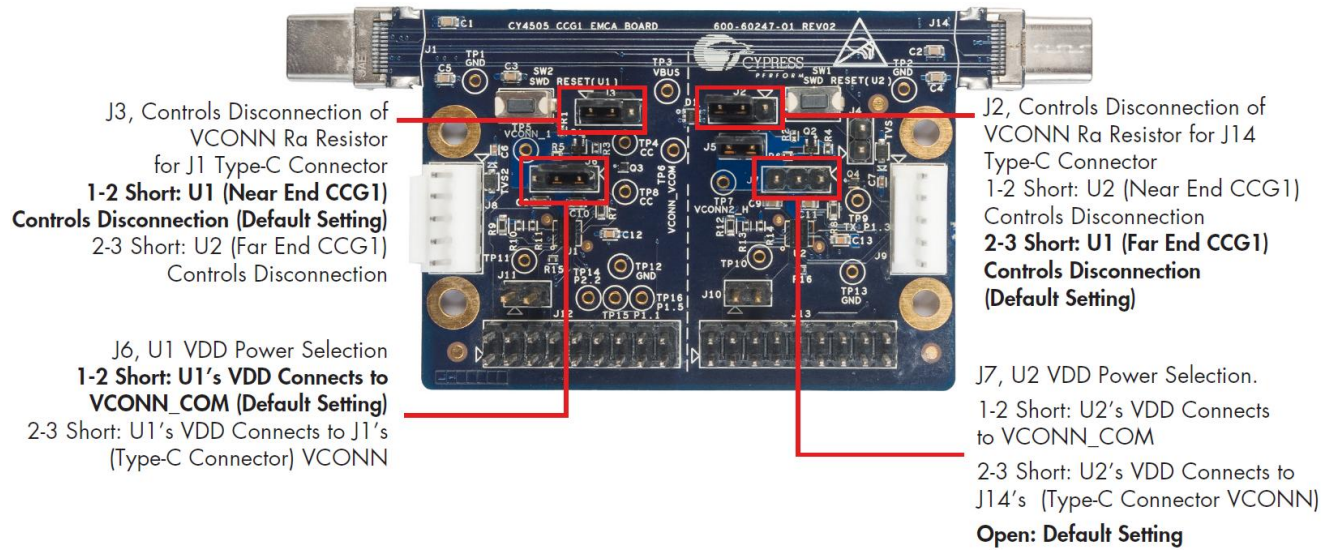
- J11, Provision for Measuring Current Consumption of CCG1 (Default Short)**
- SW2, CCG1 Reset Switch**
- J10, CC1 Rp Selection for Current Advertisement**
1-2: 900 mA for USB SS
2-4: 1.5 A (Default Setting)
2-3: 3.0 A
- J4, Decides the 5 V Power Source for the Board**
1-2: Power from MiniProg3
2-3: Power from USB Type-C Connector
2-4: Power from J3 USB Mini-B Connector
2-5 : Power from J12 USB SuperSpeed Connector (Default)
- J6, Provision for Measuring Current Consumption on VCONN (Default Short)**
- J8, CC2 Rp Selection for Current Advertisement**
1-2: 900 mA for USB SS
2-4: 1.5 A (Default Setting)
2-3: 3.0 A

Figure 7-2. Client Board Jumper Settings for SuperSpeed USB Demo

The diagram shows a blue PCB with various components and jumpers. Red boxes and lines highlight specific jumper settings. Labels on the left and right describe the function and default settings for each jumper.

- J11, Decides the Power Source**
1-2: Power from MiniProg3
2-3: 5 V power regulated from 24 VDC, Also see J3 settings.
2-4: Power from J7 USB Mini-B Connector (Default)
- J10, Provision for Measuring Current Consumption on VCONN (Default Short)**
- SW2, CCG1 Reset Switch**
- J12, Provision for Measuring Current Consumption of CCG1 (Default Short)**
- J5, J6, Rp Selection on CC2 and CC1**
1-2: 900 mA for USB SS
2-4: 1.5 A (Default Setting)
2-3: 3.0 A
- 24 V Power Jack**
- J3, Decides the Power Source**
1-2 and 3-4 Shorted: Power from Type-C Connector
5-6 and 7-8 Shorted: Power from 24 V Power Jack (Default Short)

Figure 7-3. EMCA Cable Board Jumper Settings for SuperSpeed USB Demo

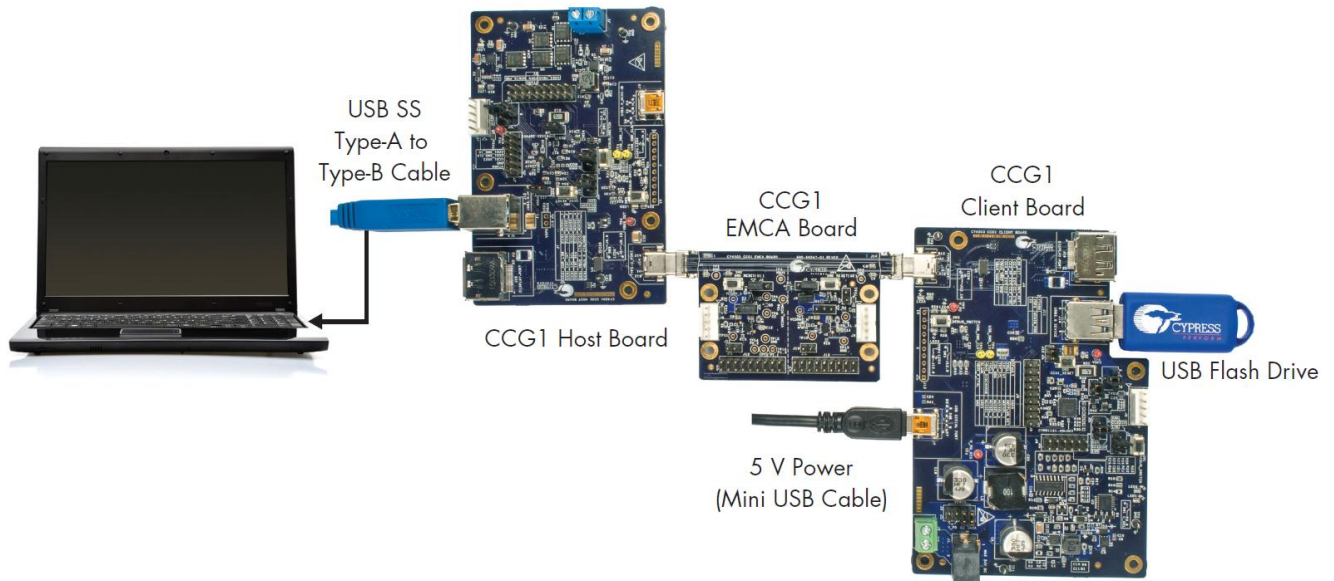


- Program the CCG1 device on the host board using the hex file *Host_DisplayPortDemo.hex* from the following location: `<Install Directory>\CY4501 CCG1 DVK1.0\Hex Files\`. Follow the instructions in [Programming the CCG1 Device on CCG1 Host Board](#) to program the CCG1 device on the board.

Note: The CCG1 devices on all three boards are pre-programmed with the latest hex files during manufacture. Therefore, these programming steps are only necessary if newer hex files are available or if the CCG1 devices on either of the boards have been programmed with other firmware.

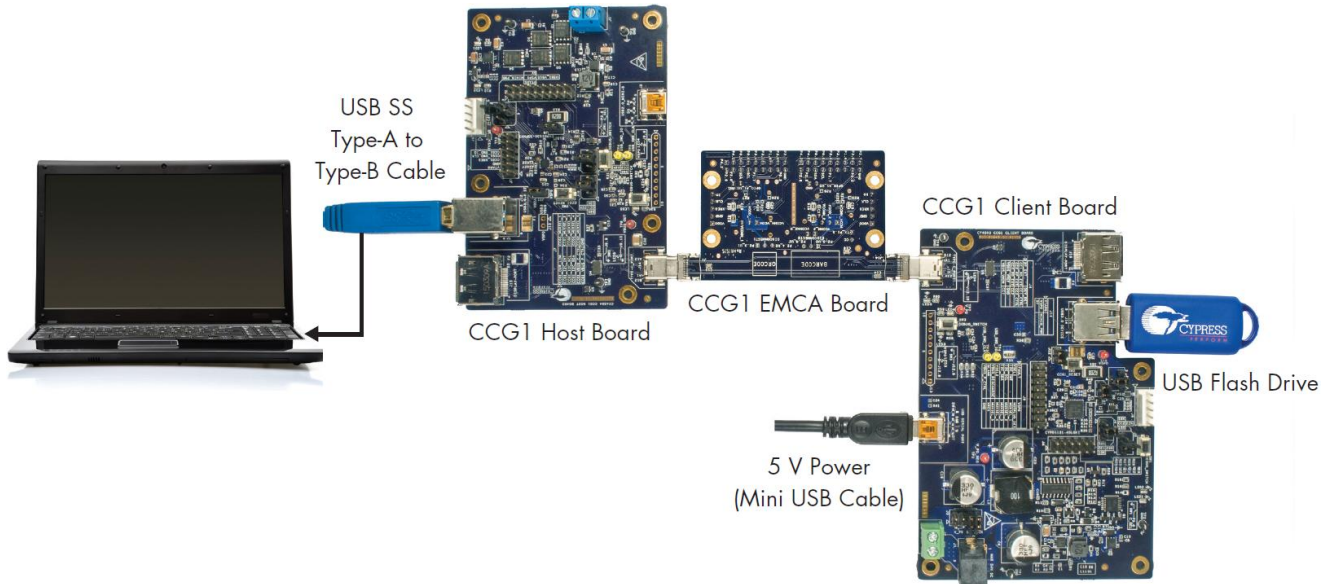
Note: The default Install Directory is: `C:\Program Files (x86)\Cypress` for 64-bit Windows operating systems and is `C:\Program Files\Cypress` for 32-bit Windows operating systems.
- Supply 5 V to the host board by connecting the SuperSpeed USB connector (J12) to a USB power supply using a SuperSpeed USB cable. Ensure that jumper J4 is positioned such that pins 2 and 5 are shorted. LED1 on the host board will glow after supplying 5 V.
- Program the CCG1 device on the client board using the hex file *Client_DisplayPortDemo.hex* from the following location: `<Install Directory>\CY4501 CCG1 DVK1.0\Hex Files\`. Follow the instructions in [Programming the CCG1 Device on CCG1 Client Board](#) to program the CCG1 device on the board.
- Supply 5 V to the client board by connecting the USB Mini-B connector (J7) to a USB power supply using a USB Mini-B cable. Ensure that jumper J11 is positioned such that pins 2 and 4 are shorted. LED2 on the client board will glow after supplying 5 V.
- Program the CCG1 devices on the EMCA board using the hex file *EMCA_DisplayPortDemo.hex* from the following location: `<Install Directory>\CY4501 CCG1 DVK1.0\Hex Files\`. Follow the instructions in [Programming the CCG1 Devices on CCG1 EMCA Board](#) to program the CCG1 devices on the board.
- Connect the boards and cables as shown in [Figure 7-4](#). Ensure that the USB drive is inserted into the CCG1 client board as the last connection.

Figure 7-4. Setup of SuperSpeed USB Demo Using CY4501 CCG1 DVK Boards



8. Observe that the USB drive connected on the client board enumerates on the PC that is plugged into the host board through the connections of the EMCA board and Type-B cable. Verify functionality by accessing (adding/deleting) files on the connected USB drive from the PC.
9. Disconnect the USB drive from the client board. After that, disconnect the EMCA board from its connections to the host and client boards. Flip the EMCA board 180° and re-connect it to the host and client boards as shown in [Figure 7-5](#).

Figure 7-5. Continuation of Setup for SuperSpeed Demo Using CY4501 CCG1 DVK Boards



10. Observe that the USB drive connected on the client board still enumerates on the PC that is plugged into the host board. Verify functionality by accessing (adding/deleting) files on the connected USB drive through the PC.

7.4 Explanation of Functionality

By flipping over the CCG1 EMCA board and re-connecting to the setup, we have reversed the order of the 4 channels from the original setup. This demonstrates functionality in a use case scenario where a Type-C cable is connected between the host and client with the ends reversed. The reverse order will not affect the enumeration process due to the reversible characteristics of Type-C cables.

7.5 Common Problems and Troubleshooting

If the demo is not functional, follow these guidelines to troubleshoot.

1. Ensure that the host and client boards are powered by verifying that LED1 on CCG1 host board and LED2 on CCG1 client board are on.
2. Ensure that the VBUS from the host is delivered to the client by observing that LED adjacent to the Type-C receptacle (LED5) on the client board is lit.
3. Ensure that all connections are completely mated.
4. If the SuperSpeed USB device does not enumerate as expected on the PC, unplug the device and then plug it back in. It should enumerate as a SuperSpeed USB device this time.

8. Kit Operation for DisplayPort Demonstration



This chapter describes how to configure the CY4501 CCG1 DVK host, client, and EMCA boards, connect them, and demonstrate operation and functionality. It provides details about connecting a host (PC) to a client (display monitor) through the CY4501 CCG1 DVK boards, also referred to as the “DisplayPort Alternate Mode demo” in this kit guide.

8.1 DisplayPort Alternate Mode Demo

The DisplayPort Alternate Mode demo is a full end-to-end demo that demonstrates the following:

- Type-C connectivity between the DFP (host) and UFP (client)
- USB PD Alternate Mode (for DisplayPort): Delivers 4-lane DisplayPort video from the host board to the client board, while simultaneously supporting the delivery of USB 2.0 data from a client to the host (using a thumb drive).

8.2 Boards, Cables, and Accessories Needed

The following items are needed to perform this demo:

- DisplayPort video source (example: PC)
- DisplayPort monitor
- CCG1 host board
- CCG1 client board
- CCG1 EMCA board
- DisplayPort cable that connects the host board to the PC. If the PC has a Mini DisplayPort plug, use the Mini DisplayPort to DisplayPort cable (DisplayPort cables are not provided with the kit. See [List of Recommended](#) section)
- DisplayPort cable that connects the client board to the monitor (not provided with the kit. See [List of Recommended](#) section)
- SuperSpeed USB Type-A to Type-B cable for powering host board
- USB 2.0 Type-A to Mini-B cable for powering client board
- USB drive (not provided with the kit)

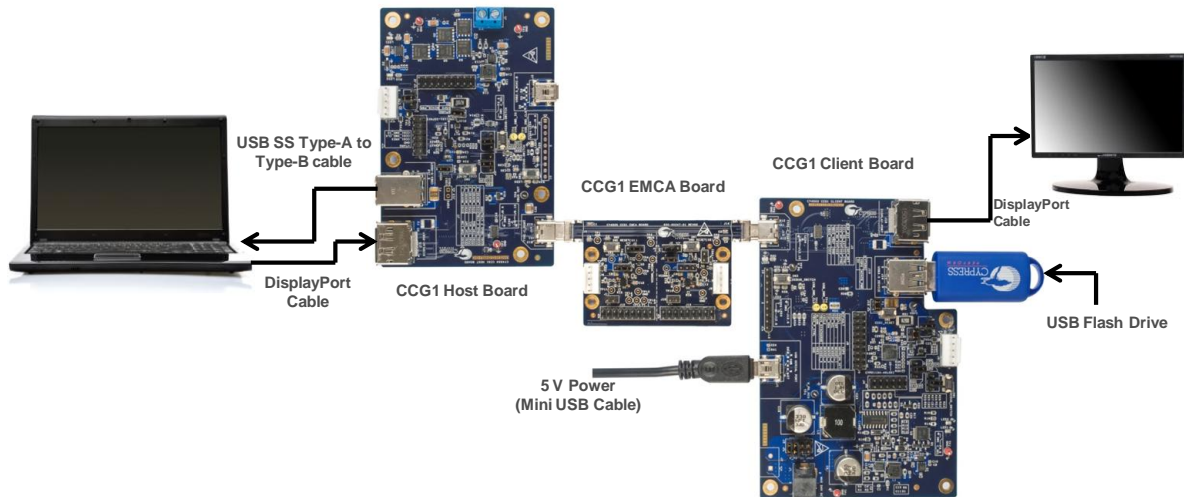
8.3 Running the DisplayPort Alternate Mode Demo

1. Use the default jumper settings shown in [Figure 7-1](#), [Figure 7-2](#), and [Figure 7-3](#) to configure the CY4501 CCG1 DVK host, client, and EMCA cable boards.
2. Perform this step only if the CCG1 device on the host board was not programmed as per step 2 in [Kit Operation for SuperSpeed USB Demonstration](#). Program the CCG1 device on the host board using the hex file *Host_DisplayPortDemo.hex* from the following location: `<Install Directory>\CY4501 CCG1 DVK\1.0\Hex Files\`. Follow the instructions in [Programming the CCG1 Device on CCG1 Host Board](#) to program the CCG1 device on the board.

Note: the default Install Directory is C:\Program Files (x86)\Cypress for 64-bit Windows operating systems and is C:\Program Files\Cypress for 32-bit Windows operating systems.

3. Supply 5 V to the host board by connecting the SuperSpeed USB connector (J12) to a USB power supply using a SuperSpeed USB cable.
4. Perform this step only if the CCG1 device on client board was not programmed as per step 4 in [Kit Operation for SuperSpeed USB Demonstration](#). Program the CCG1 device on the client board using the hex file *Client_DisplayPortDemo.hex* from the following location: <Install Directory>\CY4501 CCG1 DVK11.0\Hex Files\. Follow the instructions in [Programming the CCG1 Device on CCG1 Client Board](#) to program the CCG1 device on the board.
5. Supply 5 V to the client board by connecting the USB Mini-B connector (J7) to a USB power supply using a USB 2.0 Type-A to Mini-B cable.
6. Perform this step only if the CCG1 devices on EMCA board were not programmed as per step 6 in [Kit Operation for SuperSpeed USB Demonstration](#). Program the CCG1 devices on the EMCA board using the hex file *EMCA_DisplayPortDemo.hex* from the following location: <Install Directory>\CY4501 CCG1 DVK11.0\Hex Files\. Follow the instructions in [Programming the CCG1 Devices on CCG1 EMCA Board](#) to program the CCG1 devices on the board.
7. Connect the boards and cables as shown in [Figure 8-1](#). Ensure that the monitor used supports a DisplayPort interface. Also, avoid using any adapters (DisplayPort to HDMI or DisplayPort to VGA) to connect to monitors that do not have a built-in DisplayPort interface. These adapters do not provide a hot plug detect (HPD) trigger signal on the DisplayPort interface, which is required for this demo to work.

Figure 8-1. Setup of DisplayPort Demo Using CY4501 CCG1 DVK Boards



8. Observe that the DisplayPort video is transferred from the host to the client (from the PC via the high-speed multiplexers controlled by the host CCG1, the Type-C to Type-C EMCA board, and the high-speed multiplexers controlled by the client CCG1) and then displayed on the monitor. Also observe that the USB flash drive plugged into the client board enumerates on the PC that is plugged into the host board through the Type-B cable.

8.4 Common Problems and Troubleshooting

If the demo is not functional, follow these guidelines to troubleshoot.

1. Ensure that the host and client boards are powered by verifying that LED1 on CCG1 host board and LED2 on CCG1 client board are on. Also ensure that these boards are powered before connecting the DisplayPort cables.
2. Ensure that the VBUS from the host is delivered to the client by observing that the LED adjacent to the Type-C receptacle (LED5) on the client board is lit.
3. Ensure that all connections are completely mated.
4. Ensure that the monitor has native DisplayPort support.
5. If the PC video is not displayed on the monitor, assert and release the reset button on both the host and client boards (SW2).

9. Kit Operation for Power Delivery Demonstration



This chapter describes how to configure the CY4501 CCG1 DVK host, client, and EMCA boards, connect them, and demonstrate operation and functionality for power delivery. It provides details about connecting a host (PC) to a client (display monitor) through the CY4501 CCG1 DVK boards and toggling power between 5V, 9V, 15V or 20V from the client end. This is also referred to as the “Power Delivery demo” in this kit guide.

9.1 Power Delivery Demo

The Power Delivery demo is a full end-to-end demo that demonstrates the following:

- Type-C connectivity between the DFP (host) and UFP (client)
- USB PD Functionality: Delivers the requested amount of power to the host from the client. The requests are sent by the host by pressing switch SW1 on the CCG1 host board.

9.2 Boards, Cables, and Accessories Needed

The following items are needed to perform this demo:

- CCG1 host board
- CCG1 client board
- CCG1 EMCA board
- SuperSpeed USB Type-A to Type-B cable for powering host board
- One Power Supply with 24 V, 120W output (not provided with the kit. See [List of Recommended](#) section)
- One multimeter to measure voltage (not provided with the kit. Use a standard multimeter for voltage measurement)

9.3 Running the Power Delivery Demo

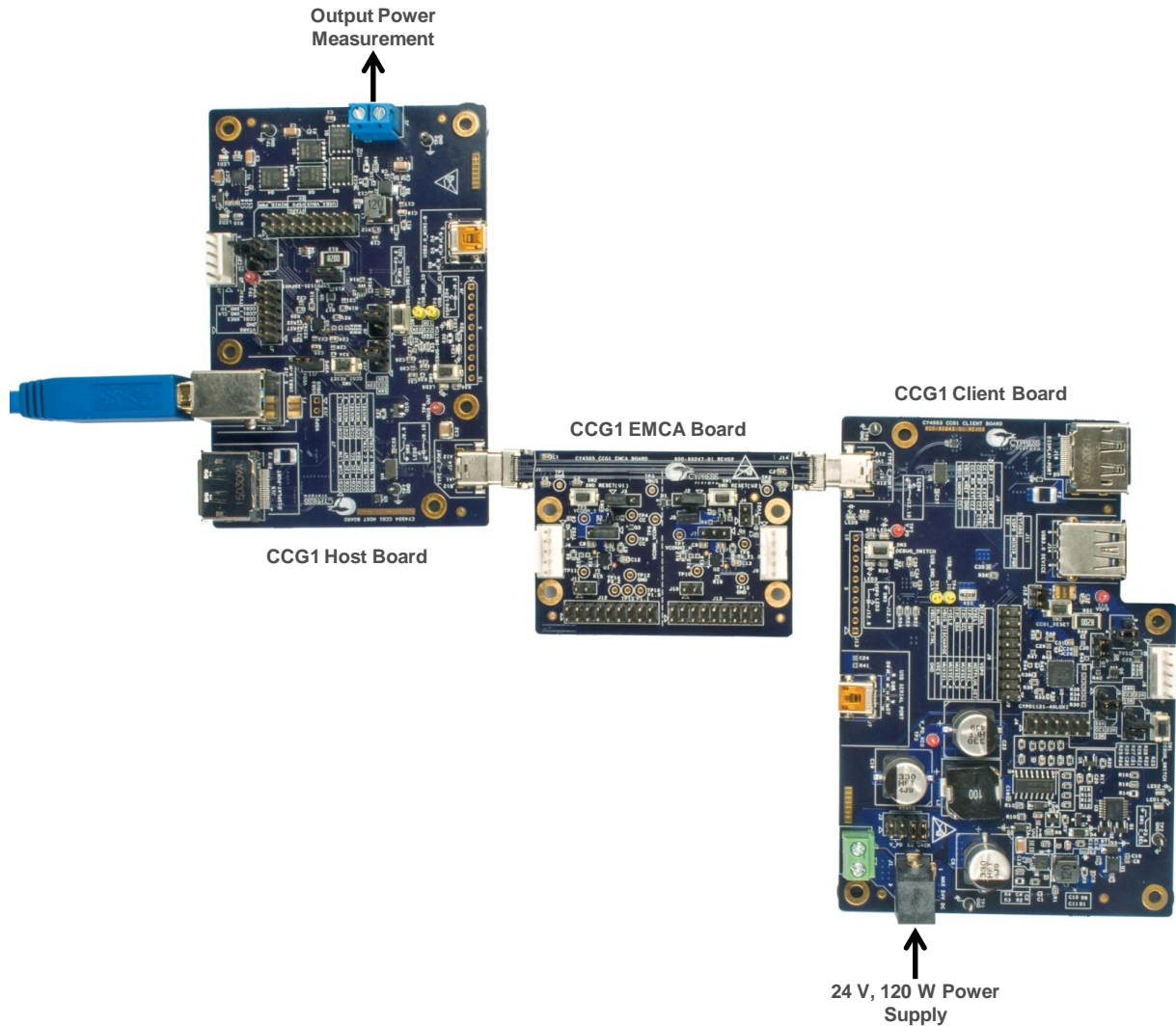
1. Use the default jumper settings shown in [Figure 7-1](#) and [Figure 7-3](#) to configure the CY4501 CCG1 DVK host and EMCA boards.
2. Perform this step only if the CCG1 device on the host board was not programmed as per step 2 in [Kit Operation for SuperSpeed USB Demonstration](#). Program the CCG1 device on the host board using the hex file *Host_DisplayPortDemo.hex* from the following location: `<Install Directory>\CY4501 CCG1 DVK\1.0\Hex Files\`. Follow the instructions in [Programming the CCG1 Device on CCG1 Host Board](#) to program the CCG1 device on the board.

Note: The default Install Directory is C:\Program Files (x86)\Cypress for 64-bit Windows operating systems and C:\Program Files\Cypress for 32-bit Windows operating systems.

3. Supply 5 V to the host board by connecting the SuperSpeed USB connector (J12) to a USB power supply using a SuperSpeed USB cable.
4. Perform this step only if the CCG1 device on client board was not programmed as per step 4 in [Kit Operation for SuperSpeed USB Demonstration](#). Program the CCG1 device on the client board using the hex file *Client_DisplayPortDemo.hex* from the following location: `<Install Directory>\CY4501 CCG1 DVK\1.0\Hex Files\`. Follow the instructions in [Programming the CCG1 Device on CCG1 Client Board](#) to program the CCG1 device on the board.

5. Perform this step only if the CCG1 devices on EMCA board were not programmed as per step 6 in [Kit Operation for SuperSpeed USB Demonstration](#). Program the CCG1 devices on the EMCA board using the hex file *EMCA_DisplayPortDemo.hex* from the following location: <Install Directory>\CY4501 CCG1 DVK11.0\Hex Files\ Follow the instructions in [Programming the CCG1 Devices on CCG1 EMCA Board](#) to program the CCG1 devices on the board.
6. Ensure that pins 2 and 3 of jumper J11 on the CCG1 client board are shorted and pins 5 & 6 and 7 & 8 of jumper J3 are shorted. Use the default jumper settings shown in [Figure 7-2](#) for all other jumpers on CCG1 client board.
7. Connect the boards and cables as shown in [Figure 9-1](#). Ensure that the 5 V power is provided to the host board before the 24 V supply is provided to the client board. Supply 24 V to the client board by connecting a 24 V power supply to J1 terminal of the client board.

Figure 9-1. Setup of Power Delivery Demo Using CY4501 CCG1 DVK Boards



8. Connect a digital multimeter to jumper J1 of the host board to measure the output voltage. Press and release the SW1 switch on the host board. Observed output voltage will either be 5V, 9V, 15V or 20V. This output voltage will change and keep toggling every time switch SW1 is pressed on the host board. This demonstrates normal operation of the Power Delivery demo.
9. It is possible to perform DisplayPort, USB data transaction and power delivery – all at the same time. As an optional step, repeat the steps in [Kit Operation for SuperSpeed USB Demonstration](#) to observe USB data transfer.

9.4 Common Problems and Troubleshooting

If the demo is not functional, follow these guidelines to troubleshoot.

1. Ensure that the host and client boards are powered by verifying that LED1 on CCG1 host board and LED2 on CCG1 client board are on.
2. Ensure that the VBUS from the host is delivered to the client by observing that LED adjacent to the Type-C receptacle (LED5) on the client board is lit.
3. Ensure that the jumper connections are the same as shown in [Figure 7-1](#) and [Figure 7-3](#) for the host and EMCA boards respectively.
4. Ensure that 24 V power on the client board is provided with the correct polarity.
5. Ensure that all connections are completely mated.

10. Programming CCG1 Devices on CY4501 CCG1 DVK Boards



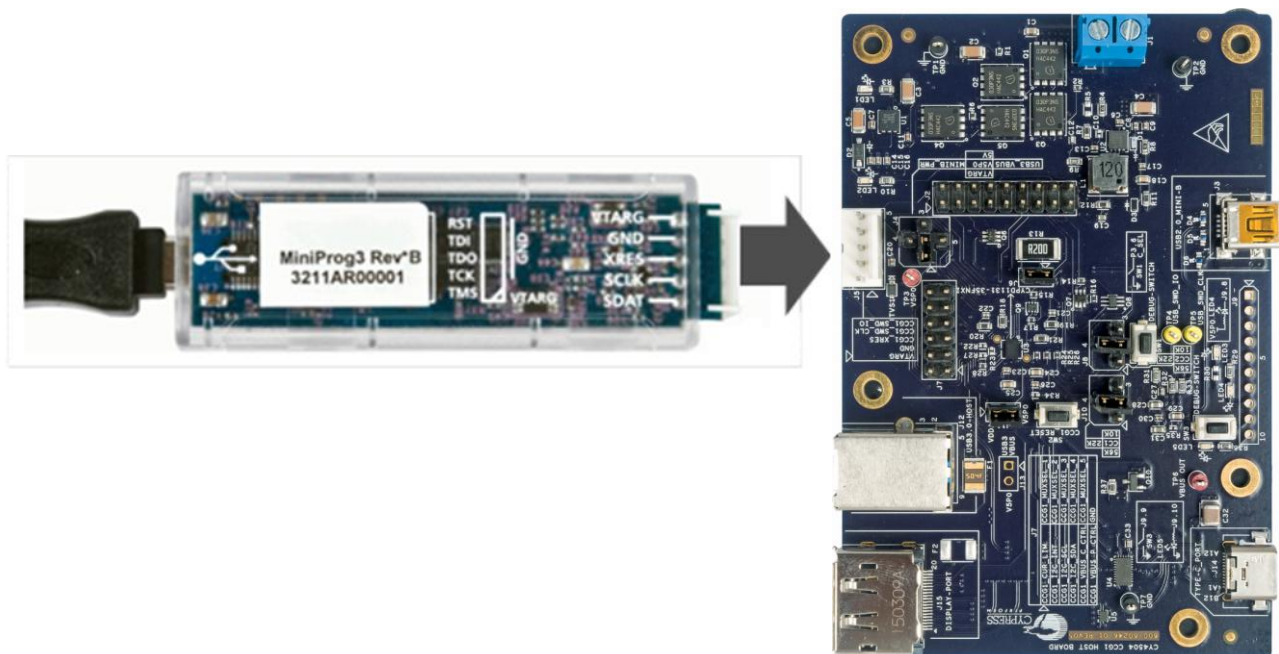
The CY4501 CCG1 DVK comes preprogrammed with all CCG1 devices on the host, client, and EMCA boards programmed with the latest hex files. However, if there is need to reprogram any of the boards, follow the steps in this chapter.

10.1 Programming the CCG1 Device on CCG1 Host Board

The steps to update firmware running on the CCG1 device of the host board are as follows:

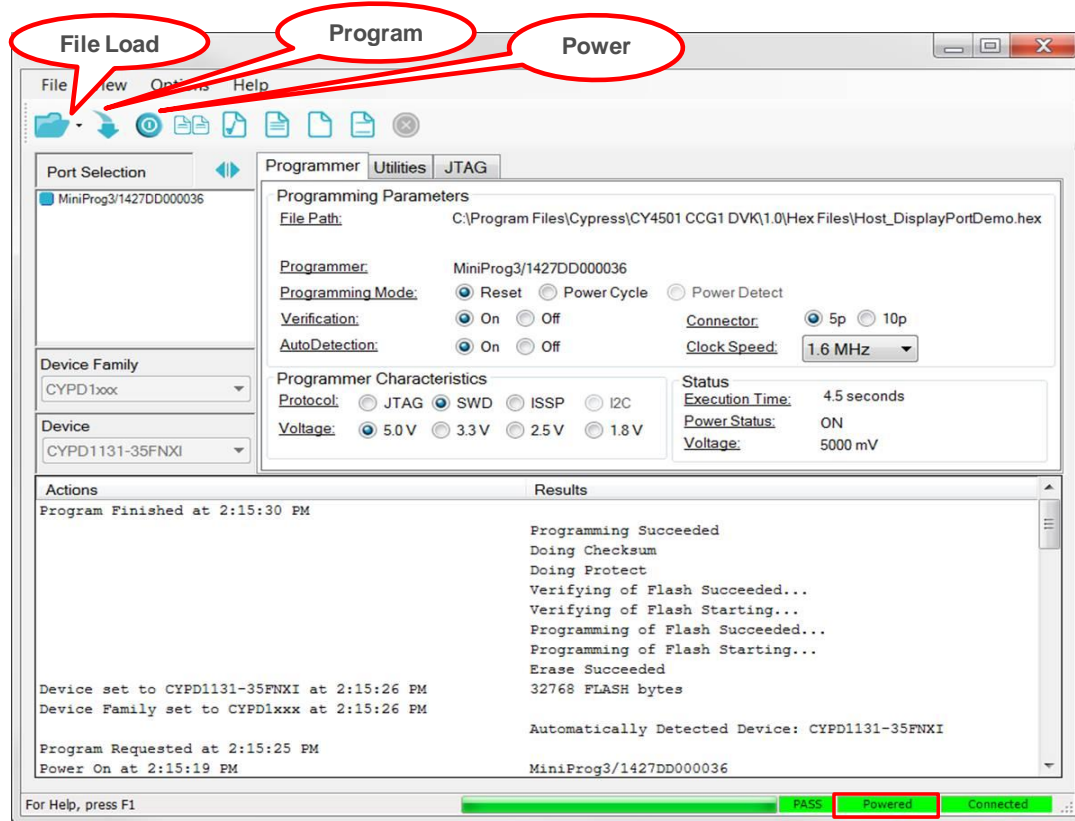
1. If the kit installation is not performed yet, or was not performed recently, install the latest version of PSoC Programmer software by downloading and installing the latest kit setup file CY4501 CCG1 DVK COMPLETE SETUP from the website www.cypress.com/go/CY4501.
2. Ensure that pins 1 and 2 of jumper J4 on CCG1 host board are shorted.
3. Connect the USB Mini cable from the PC to the Mini-B receptacle on the MiniProg3 Rev*B device provided with the CY4501 CCG1 DVK as shown in [Figure 10-1](#). Connect the 5-pin header of the MiniProg3 device to connector J5 of host board.

Figure 10-1. Connecting MiniProg3 Rev*B Programmer to CCG1 Host Board



4. Open PSoC Programmer and note the enumeration of MiniProg3/xxxx. In the **Port Selection** window, select the newly enumerated “MiniProg3.” A blue dot should appear, indicating the selection, as shown in [Figure 10-2](#).

Figure 10-2. PSoC Programmer Settings for Programming CCG1 Devices on CY4501 CCG1 Host, Client, and EMCA Boards



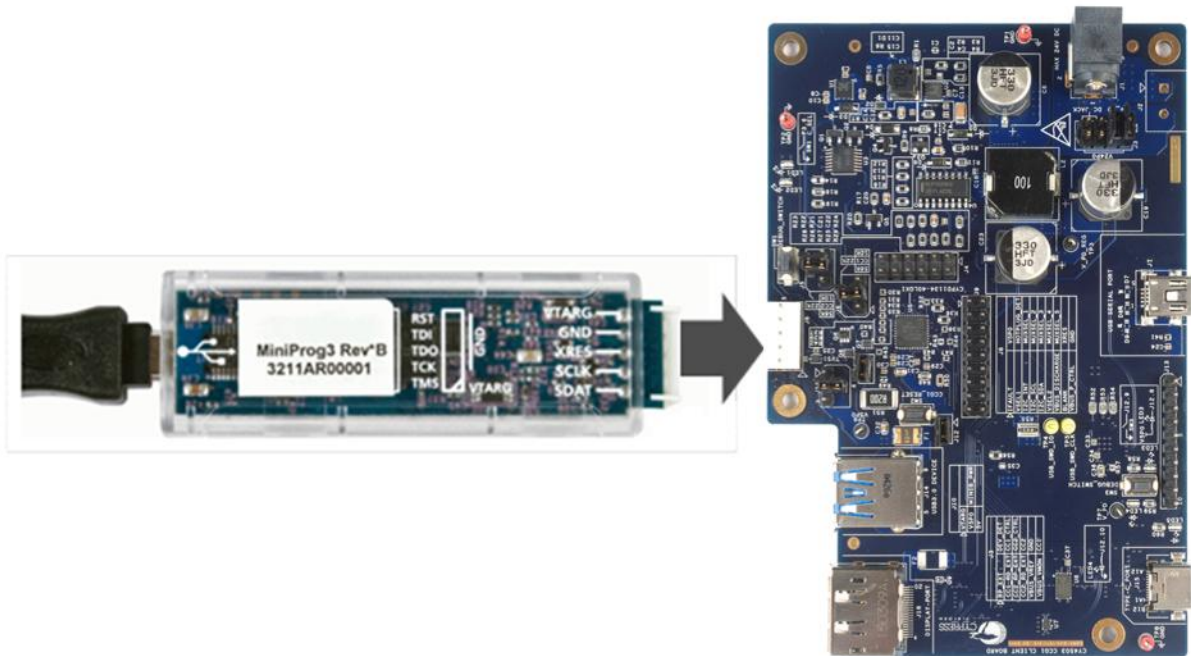
5. Check the following settings in the **PSoC Programmer** window. They should be the same as shown in [Figure 10-2](#).
 - Programming Mode: Reset
 - Verification: On
 - AutoDetection: On
 - Protocol: SWD
 - Voltage: 5.0 V
 - Connector: 5p
 - Clock Speed: 1.6 MHz (default)
6. Load the new firmware (hex file) by choosing **File > File Load**. Browse to the location `<Install Directory>\CY4501 CCG1 DVK11.0\Hex Files\` and select the file `Host_DisplayPortDemo.hex`.
 Note: The default Install Directory is `C:\Program Files (x86)\Cypress` for 64-bit Windows operating systems and is `C:\Program Files\Cypress` for 32-bit Windows operating systems.
7. Click the toggle power button in PSoC Programmer to ensure that the MiniProg3 device is delivering power to the target. The red LED on the MiniProg3 device should be turned on and **Power** should be seen in a green box at the bottom right corner of the PSoC Programmer window as shown in [Figure 10-2](#).
8. Program the new firmware by choosing **File > Program**.
9. When programming is complete, the message “Programming Succeeded” will appear in the **Actions/Results** tab of PSoC Programmer.
10. Disconnect the MiniProg3 from the board and then change the CCG1 host board’s jumper J4’s settings such that pins 2 and 5 of jumper J4 are now shorted.

10.2 Programming the CCG1 Device on CCG1 Client Board

The steps to update firmware running on the CCG1 device of the client board are as follows:

1. If the kit installation is not performed yet, or was not performed recently, install the latest version of PSoC Programmer software by downloading and installing the latest kit setup file CY4501 CCG1 DVK COMPLETE SETUP from website www.cypress.com/go/CY4501.
2. Ensure that pins 1 and 2 of jumper J11 on CCG1 client board are shorted.
3. Connect the USB Mini cable from the PC to the Mini-B receptacle on the MiniProg3 Rev*B device provided with the CY4501 CCG1 DVK as shown in Figure 10-3. Connect the 5-pin header of the MiniProg3 device to connector J8 of client board.

Figure 10-3. Connecting MiniProg3 Rev*B Programmer to CCG1 Client Board



4. Open PSoC Programmer and note the enumeration of MiniProg3/xxxx. In the **Port Selection** window, select the newly enumerated “MiniProg3.” A blue dot should appear, indicating the selection, as shown in Figure 10-2.
5. Check the following settings in the **PSoC Programmer** window. They should be the same as those shown in Figure 10-2.
 - Programming Mode: Reset
 - Verification: On
 - AutoDetection: On
 - Protocol: SWD
 - Voltage: 5.0 V
 - Connector: 5p
 - Clock Speed: 1.6MHz (default)
6. Load the new firmware (hex file) by choosing **File > File Load**. Browse to the location *<Install Directory>\CY4501 CCG1 DVK\1.0\Hex Files* and select the file *Client_DisplayPortDemo.hex*.

Note: The default Install Directory is C:\Program Files (x86)\Cypress for 64-bit Windows operating systems and is C:\Program Files\Cypress for 32-bit Windows operating systems.

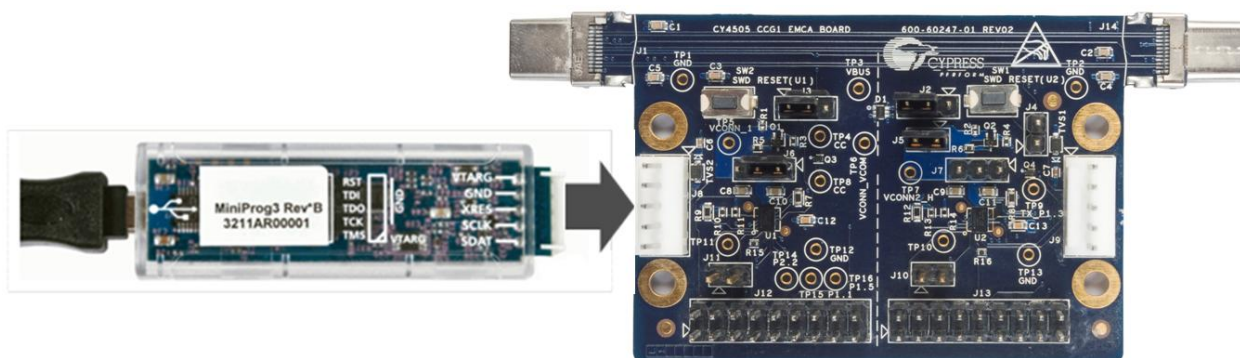
7. Click the toggle power button in PSoC Programmer to ensure that the MiniProg3 device is delivering power to the target. The red LED on the MiniProg3 device should be turned on and **Power** should be seen in a green box at the bottom right corner of the PSoC Programmer window as shown in [Figure 10-2](#).
8. Program the new firmware by choosing **File > Program**.
9. Once programming is complete, the message “Programming Succeeded” will appear in the **Actions/Results** tab of PSoC Programmer.
10. Disconnect the MiniProg3 from the board and then change the CCG1 client board’s jumper J11’s settings such that pins 2 and 4 of jumper J11 are now shorted.

10.3 Programming the CCG1 Devices on CCG1 EMCA Board

The steps to update firmware running on the CCG1 devices of the EMCA board are as follows:

1. If the kit installation is not performed yet, or was not performed recently, install the latest version of PSoC Programmer software by downloading and installing the latest kit setup file CY4501 CCG1 DVK COMPLETE SETUP from the website: www.cypress.com/go/CY4501.
2. Connect the USB Mini cable from the PC to the Mini-B receptacle on the MiniProg3 Rev*B device provided with the CY4501 CCG1 DVK as shown in [Figure 10-4](#). Connect the 5-pin header of the MiniProg3 device to connector J8 of EMCA cable board (this will program the CCG1 device U1).

Figure 10-4. Connecting MiniProg3 Rev*B Programmer to CCG1 EMCA Board



3. Open PSoC Programmer and note the enumeration of MiniProg3/xxxxx. In the **Port Selection** window, select the newly enumerated “MiniProg3.” A blue dot should appear, indicating the selection, as shown in [Figure 10-2](#).
4. Check the following settings in the **PSoC Programmer** window. They should be the same as those shown in [Figure 10-2](#).
 - Programming Mode: Reset
 - Verification: On
 - AutoDetection: On
 - Protocol: SWD
 - Voltage = 5.0 V
 - Connector: 5p
 - Clock Speed = 1.6 MHz (default)
5. Load the new firmware (hex file) by choosing **File > File Load**. Browse to the location `<Install Directory>\CY4501 DVK\1.0\Hex Files\` and select the file `EMCA_DisplayPortDemo.hex`.

Note: The default Install Directory is C:\Program Files (x86)\Cypress for 64-bit Windows operating systems and is C:\Program Files\Cypress for 32-bit Windows operating systems.

6. Click the toggle power button in PSoC Programmer to ensure that the MiniProg3 device is delivering power to the target. The red LED on the MiniProg3 device should be turned on and **Power** should be seen in a green box at the bottom right corner of the PSoC Programmer window as shown in [Figure 10-2](#).

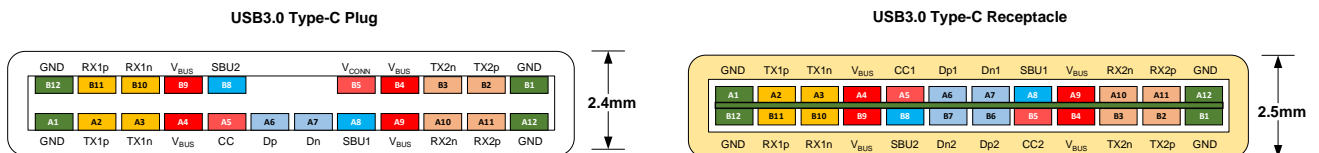
7. Program the new firmware by choosing **File > Program**.
8. Once programming is complete, the message “Programming Succeeded” will appear in the **Actions/Results** tab of PSoC Programmer.
9. To program the other CCG1 device U2, connect the MiniProg3 device to connector J9 of the CCG1 EMCA board and then repeat steps 4 to 8.

11. Appendix A: Terminology



This guide assumes that the user of the CCG1 board is familiar with the fundamentals of Type-C connectivity and the USB Power Delivery protocol.

- **Alternate Modes:** A feature of a USB Type-C system whereby one or both of the SuperSpeed lanes may be repurposed for use with a different serial protocol such as a DisplayPort, eSATA, or Thunderbolt.
- **Client:** A USB peripheral such as a hub, docking station, or monitor.
- **Configuration channel (CC):** A USB Type-C bus wire used to transmit protocol signals. This is a half-duplex 300-kHz signal.
- **Consumer:** A Type-C port that sinks power from VBUS.
- **DisplayPort:** A digital display interface standard developed by the Video Electronics Standards Association. It is used primarily to connect a video source to a display such as a computer monitor.
- **Downstream facing port (DFP):** A USB Type-C port on a host or a hub to which devices are connected.
- **Dp, Dn:** USB Type-C bus wires used to transmit and receive USB 2.0 data.
- **Dual-role port (DRP):** A USB Type-C port that can operate as either a DFP or a UFP.
- **Electronically Marked Cable Assembly (EMCA):** A USB cable that includes an IC that reports cable characteristics (such as current rating) to the Type-C ports.



- **Host:** A USB Host system such as a PC, notebook, laptop, and so on.
- **Provider:** A Type-C port that sources power over VBUS.
- **Sideband use (SBU):** A USB Type-C bus wire used for non-USB control signals, such as DisplayPort control signals.
- **Type-C Transceiver:** A transmitter/receiver that communicates over the CC.
- **TX1p, TX1n, RX1p, RX1n, TX2p, TX2n, RX2p, and RX2n:** USB Type-C bus wires used to transmit and receive SuperSpeed USB and PCIe or DisplayPort data.
- **Upstream facing port (UFP):** A USB Type-C port on a device or a hub that connects to a host or the DFP of a hub.
- **USB Power Delivery (USB PD, PD):** A new USB standard that increases maximum power delivery over USB from 7.5 W to 100 W.
- **USB Type-C (Type-C):** A new standard with a slimmer USB connector and a reversible cable, capable of sourcing up to 100 W of power and supporting Alternate Modes.
- **VBUS:** A USB Type-C bus wire used for power; initially 5 V, but increased up to 20 V on USB PD systems.
- **VCONN:** A USB Type-C bus wire used to power the IC in the EMCA.

Revision History



Document Revision History

Document Title: CY4501 CCG1 Development Kit Guide			
Document Number: 001-96785			
Revision	Issue Date	Origin of Change	Description of Change
**	04/24/2015	VGT	New development kit guide.
*A	05/07/2015	VGT	Updated board images.
*B	05/20/2015	VGT	Updated jumper definitions for figures and tables in Chapters 3, 4, 5, Updated images for chapters 6,7,8 and 9, Deleted chapter 10.
*C	05/28/2015	VGT	Updated board images to Rev5 host and client boards for chapters 3 thru 9, incorporated OOB feedback from GJL, BHAT, closed documentation CDTs – 211468, 211566.
*D	06/02/2015	VGT	Updated Figure 9-2, removed errors in Table 5-1, fixed other miscellaneous errors thru the document.
*E	04/01/2016	VGT	Updated voltage from (5V,12V,13V or 20V) to (5V,9V,15V or 20V) in pages 33 and 34.
*F	05/24/2017	AESATMP9	Updated logo and copyright.

X-ON Electronics

Largest Supplier of Electrical and Electronic Components

Click to view similar products for [Interface Development Tools](#) category:

Click to view products by [Cypress](#) manufacturer:

Other Similar products are found below :

[ADP5585CP-EVALZ](#) [CHA2066-99F](#) [AS8650-DB](#) [416100120-3](#) [XR18910ILEVB](#) [XR21B1421IL28-0A-EVB](#) [EVAL-ADM2491EEBZ](#)
[MAXREFDES23DB#](#) [MAX13235EEVKIT](#) [DFR0257](#) [XR22404CG28EVB](#) [ZLR964122L](#) [ZLR88822L](#) [DC327A](#) [PIM511](#) [PIM536](#) [PIM517](#)
[DEV-17512](#) [STR-FUSB3307MPX-PPS-GEVK](#) [ZSSC3240KIT](#) [P0551](#) [MAX9121EVKIT](#) [PIM532](#) [ZSC31010KITV2P1](#) [MIKROE-2335](#)
[XR20M1172G28-0B-EB](#) [1764](#) [1833](#) [1862](#) [EVB-USB82514](#) [ATA6628-EK](#) [EVAL-CN0313-SDPZ](#) [2264](#) [MCP23X17EV](#) [PS081-EVA-HR](#)
[MODULE](#) [237](#) [SMA2RJ45EVK/NOPB](#) [FR12-0002](#) [MAFR-000455-001](#) [BOB-13263](#) [CPC5622-EVAL-600R](#) [SKYFR-000743](#) [SKYFR-](#)
[000827](#) [SKYFR-000982](#) [MIKROE-2750](#) [292](#) [DFR0065](#) [DFR0077](#) [TEL0010](#) [TEL0038](#)