

CY5674 PRoC™ BLE SMA MODULE

CY5674 PRoC™ BLE SMA Module is a complete solution to add BLE connectivity to any embedded system. The module features a PRoC BLE device (CYBL10563), two crystals, a SMA connector, and other passives while providing access to all GPIOs of the device.

Visit www.cypress.com/BLE for more information on Cypress's BLE solutions.

PRoC BLE is a single-chip solution with a 48-MHz ARM® Cortex®-M0 CPU, BLE radio, CapSense® technology for touch sensing, 2 Serial Communication Blocks, 12-bit ADC, 4 Timer/Counter/PWMs, 4 additional PWMs, I²S and LCD.

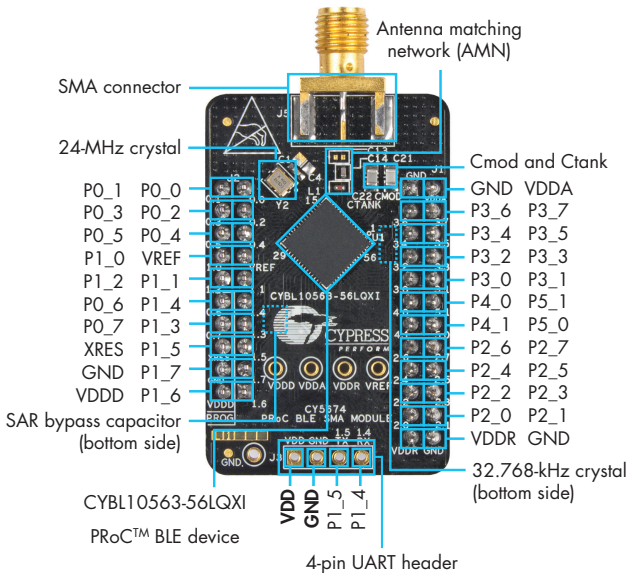


Fig-1: Feature List and Pinout Description for PRoC BLE SMA Module

Note: To apply power to the module, use the VDD pin (1.9 V - 5.0 V) and GND pin.

CY5674 PROc™ BLE SMA MODULE

STANDALONE USE WITH PSoC CREATOR™ IDE AND CY8CKIT-002 MINIPROG3



Pin Mapping	
CY8CKIT-002	CY5674
VTARG	VDD
GND	GND
RES	XRES
SCLK	PO_7
SDAT	PO_6

Fig-2: Programming and Debugging with CY8CKIT-002

USING THE PROc BLE SMA MODULE WITH THE CY8CKIT-042-BLE PIONEER KIT

Step 1: Plug the module on the CY8CKIT-042-BLE Pioneer Kit baseboard.

Step 2: Create your design in PSoC Creator IDE and use the BLE Pioneer Kit to program and debug.

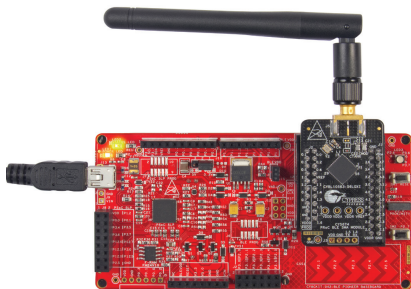


Fig-3: Programming and Debugging with CY8CKIT-042 BLE Pioneer Baseboard

Additional regulatory certification will be required to integrate the module into an end product. Contact support@cypress.com for details.

For more information about this kit, visit www.cypress.com/CY5674



X-ON Electronics

Largest Supplier of Electrical and Electronic Components

Click to view similar products for [Bluetooth Development Tools - 802.15.1 category](#):

Click to view products by [Cypress manufacturer](#):

Other Similar products are found below :

[DA14580PRODTLKT 1628](#) [SP14808ST](#) [MBH7BLZ02-EF-KIT](#) [FWM7BLZ20-EB-KIT](#) [SP14801-DUT](#) [SKY66111-21EK1](#) [SECO-RSL10-TAG-GEVB 3026](#) [MIKROE-2471](#) [BLE-IOT-GEVB 450-0184](#) [EKSHCNZXZ](#) [EVAL_PAN1026](#) [EVAL_PAN1720](#) [EVAL_PAN1740 2267](#) [2479](#) [2487](#) [2633](#) [STEVAL-IDB005V1D](#) [STEVAL-IDB001V1](#) [MIKROE-2545](#) [SIPKITSLF001 2995](#) [STEVAL-IDB007V1M 2829](#) [DFR0267](#) [DFR0296](#) [BM-70-CDB](#) [STEVAL-BTDP1](#) [ACD52832](#) [TEL0095](#) [RN-4871-PICTAIL](#) [DA14695-00HQDEVKT-P](#) [DA14695-00HQDEVKT-U](#) [EBSHJNZXZ](#) [EKSGJNZWY](#) [EKSHJNZXZ](#) [BMD-200-EVAL-S](#) [ACN BREAKOUT BOARD](#) [ACN SKETCH 2746](#) [3242](#) [3574](#) [4062](#) [4333](#) [4481](#) [4500](#) [ABX00030](#)