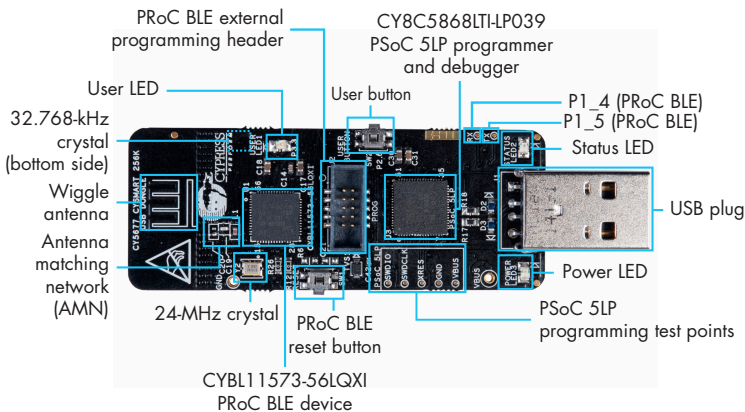


# CY5677 CYSMART™ BLE 4.2 USB DONGLE

CY5677 CySmart USB Dongle is a BLE-to-USB bridge that uses Cypress's PRoC™ BLE (CYBL11573-56LQXI) and PSoC® 5LP (CY8C5868LTI-LP039) devices. The dongle can be used with Cypress's CySmart™ Host Emulation Tool for Windows® to test and debug BLE devices.

For more information on Cypress's BLE solutions visit [www.cypress.com/BLE](http://www.cypress.com/BLE)

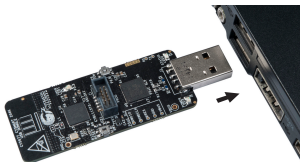
PRoC BLE is a single-chip solution with a 48-MHz ARM® Cortex®-M0 CPU, Bluetooth 4.2 radio, CapSense® technology for touch sensing, two serial communication blocks (SCBs), a 12-bit ADC, four Timer/Counter/PWMs, four additional PWMs, I<sup>2</sup>S for digital audio, and segment LCD direct-drive capability.



**Fig-1: Pinout Description for CY5677**

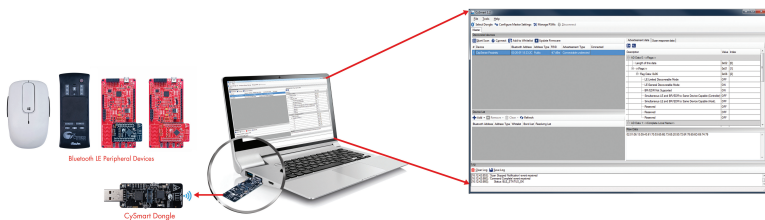
# CY5677 CYSMART™ BLE 4.2 USB DONGLE

**Step 1:** Plug the CySmart USB Dongle into a Windows PC.



**Fig-2: Powering the CySmart USB Dongle**

**Step 2:** Test and debug BLE devices using CySmart.



**Fig-3: CySmart Host Emulation Tool for Windows**

The CySmart USB Dongle is factory-programmed to work as a BLE GAP Central device, allowing you to debug BLE applications such as those implemented using the CY8CKIT-042 Bluetooth Low Energy Pioneer Kit.

Detailed instructions for using the dongle with the CySmart tool are available as a part of the CySmart User Guide. Visit [www.cypress.com/CySmart](http://www.cypress.com/CySmart)

The CySmart USB Dongle is intended for development purposes only. Users are advised to test and evaluate this dongle in an RF development environment. This dongle is not a finished product and when assembled may not be resold or otherwise marketed unless all required authorizations are first obtained. Contact [support@cypress.com](mailto:support@cypress.com) for details.

For more information about this kit, visit [www.cypress.com/CY5677](http://www.cypress.com/CY5677)



## X-ON Electronics

Largest Supplier of Electrical and Electronic Components

*Click to view similar products for [Bluetooth Development Tools - 802.15.1 category](#):*

*Click to view products by [Cypress manufacturer](#):*

Other Similar products are found below :

[DA14580PRODTLKT 1628](#) [SP14808ST](#) [MBH7BLZ02-EF-KIT](#) [FWM7BLZ20-EB-KIT](#) [SP14801-DUT](#) [SKY66111-21EK1](#) [SECO-RSL10-TAG-GEVB 3026](#) [MIKROE-2471](#) [BLE-IOT-GEVB 450-0184](#) [EKSHCNZXZ](#) [EVAL\\_PAN1026](#) [EVAL\\_PAN1720](#) [EVAL\\_PAN1740 2267](#) [2479](#) [2487](#) [2633](#) [STEVAL-IDB005V1D](#) [STEVAL-IDB001V1](#) [MIKROE-2545](#) [SIPKITSLF001 2995](#) [STEVAL-IDB007V1M 2829](#) [DFR0267](#) [DFR0296](#) [BM-70-CDB](#) [STEVAL-BTDP1](#) [ACD52832](#) [TEL0095](#) [RN-4871-PICTAIL](#) [DA14695-00HQDEVKT-P](#) [DA14695-00HQDEVKT-U](#) [EBSHJNZXZ](#) [EKSGJNZWY](#) [EKSHJNZXZ](#) [BMD-200-EVAL-S](#) [ACN BREAKOUT BOARD](#) [ACN SKETCH 2746](#) [3242](#) [3574](#) [4062](#) [4333](#) [4481](#) [4500](#) [ABX00030](#)