



Please note that Cypress is an Infineon Technologies Company.

The document following this cover page is marked as “Cypress” document as this is the company that originally developed the product. Please note that Infineon will continue to offer the product to new and existing customers as part of the Infineon product portfolio.

Continuity of document content

The fact that Infineon offers the following product as part of the Infineon product portfolio does not lead to any changes to this document. Future revisions will occur when appropriate, and any changes will be set out on the document history page.

Continuity of ordering part numbers

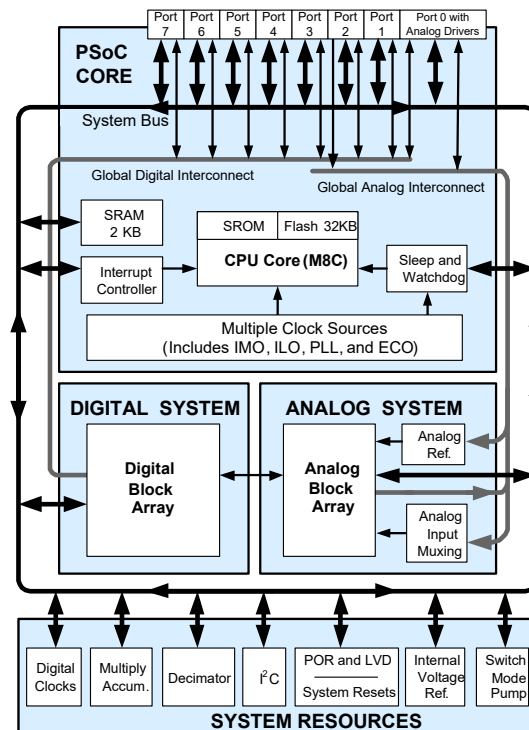
Infineon continues to support existing part numbers. Please continue to use the ordering part numbers listed in the datasheet for ordering.

Features

- Powerful Harvard-architecture processor
 - M8C processor speeds to 24 MHz
 - Two 8 × 8 multiply, 32-bit accumulate
 - Low power at high speed
 - Operating voltage: 3.0 V to 5.25 V
 - Operating voltages down to 1.0 V using on-chip switch mode pump (SMP)
 - Industrial temperature range: -40 °C to +85 °C
- Advanced peripherals (PSoC® blocks)
 - 12 rail-to-rail analog PSoC blocks provide:
 - Up to 14-bit analog-to-digital converters (ADCs)
 - Up to 9-bit digital-to-analog converters (DACs)
 - Programmable gain amplifiers (PGAs)
 - Programmable filters and comparators
 - 16 digital PSoC blocks provide:
 - 8- to 32-bit timers and counters, 8- and 16-bit pulse-width modulators (PWMs)
 - Cyclical redundancy check (CRC) and pseudo random sequence (PRS) modules
 - Up to four full-duplex universal asynchronous receiver transmitters (UARTs)
 - Multiple serial peripheral interface (SPI) masters or slaves
 - Can connect to all general-purpose I/O (GPIO) pins
 - Create complex peripherals by combining blocks
- Precision, programmable clocking
 - Internal ±5% [1] 24- / 48-MHz main oscillator
 - 24- / 48-MHz with optional 32.768 kHz crystal
 - Optional external oscillator, up to 24 MHz
 - Internal oscillator for watchdog and sleep
- Flexible on-chip memory
 - 32 KB flash program storage 50,000 erase/write cycles
 - 2 KB static random access memory (SRAM) data storage
 - In-system serial programming (ISSP)
 - Partial flash updates
 - Flexible protection modes
 - Electrically erasable programmable read-only memory (EEPROM) emulation in flash
- Programmable pin configurations
 - 25-mA sink, 10-mA source on all GPIOs
 - Pull-up, pull-down, high Z, strong, or open-drain drive modes on all GPIOs
 - Eight standard analog inputs on GPIOs, plus four additional analog inputs with restricted routing

- Four 40 mA analog outputs on GPIOs
- Configurable interrupt on all GPIOs
- Additional system resources
 - I²C slave, master, and multi-master to 400 kHz
 - Watchdog and sleep timers
 - User-configurable low-voltage detection (LVD)
 - Integrated supervisory circuit
 - On-chip precision voltage reference
- Complete development tools
 - Free development software (PSoC Designer™)
 - Full-featured in-circuit emulator (ICE) and programmer
 - Full-speed emulation
 - Complex breakpoint structure
 - 128 KB trace memory
 - Complex events
 - C compilers, assembler, and linker

Logic Block Diagram



Errata: For information on silicon errata, see "Errata" on page 63. Details include trigger conditions, devices affected, and proposed workaround.

Note

1. Errata: When the device is operated within 0 °C to 70 °C, the frequency tolerance is reduced to ±2.5%, but if operated at extreme temperature (below 0 °C or above 70 °C), frequency tolerance deviates from ±2.5% to ±5%. For more information, see [Errata on page 63](#).

More Information

Cypress provides a wealth of data at www.cypress.com to help you to select the right PSoC device for your design, and to help you to quickly and effectively integrate the device into your design. For a comprehensive list of resources, see the knowledge base article “How to Design with PSoC® 1, PowerPSoC®, and PLC – KBA88292”. Following is an abbreviated list for PSoC 1:

- Overview: PSoC Portfolio, PSoC Roadmap
- Product Selectors: [PSoC 1](#), [PSoC 3](#), [PSoC 4](#), [PSoC 5LP](#)
- In addition, PSoC Designer includes a device selection tool.
- Application notes: Cypress offers a large number of PSoC application notes covering a broad range of topics, from basic to advanced level. Recommended application notes for getting started with PSoC 1 are:
 - [Getting Started with PSoC® 1 – AN75320](#)
 - [PSoC® 1 - Getting Started with GPIO – AN2094](#)
 - [PSoC® 1 Analog Structure and Configuration – AN74170](#)
 - [PSoC® 1 Switched Capacitor Analog Blocks – AN2041](#)
 - [Selecting Analog Ground and Reference – AN2219](#)

Note: For CY8C29X66 devices related Application note please click [here](#).

- Development Kits:
 - [CY3210-PSocEval1](#) supports all PSoC 1 Mixed-Signal Array families, including automotive, except CY8C25/26xxx devices. The kit includes an LCD module, potentiometer, LEDs, and breadboarding space.
 - [CY3214-PSocEvalUSB](#) features a development board for the CY8C24x94 PSoC device. Special features of the board include USB and CapSense development and debugging support.

Note: For CY8C29X66 devices related Development Kits please click [here](#).

The [MiniProg1](#) and [MiniProg3](#) devices provide interfaces for flash programming and debug.

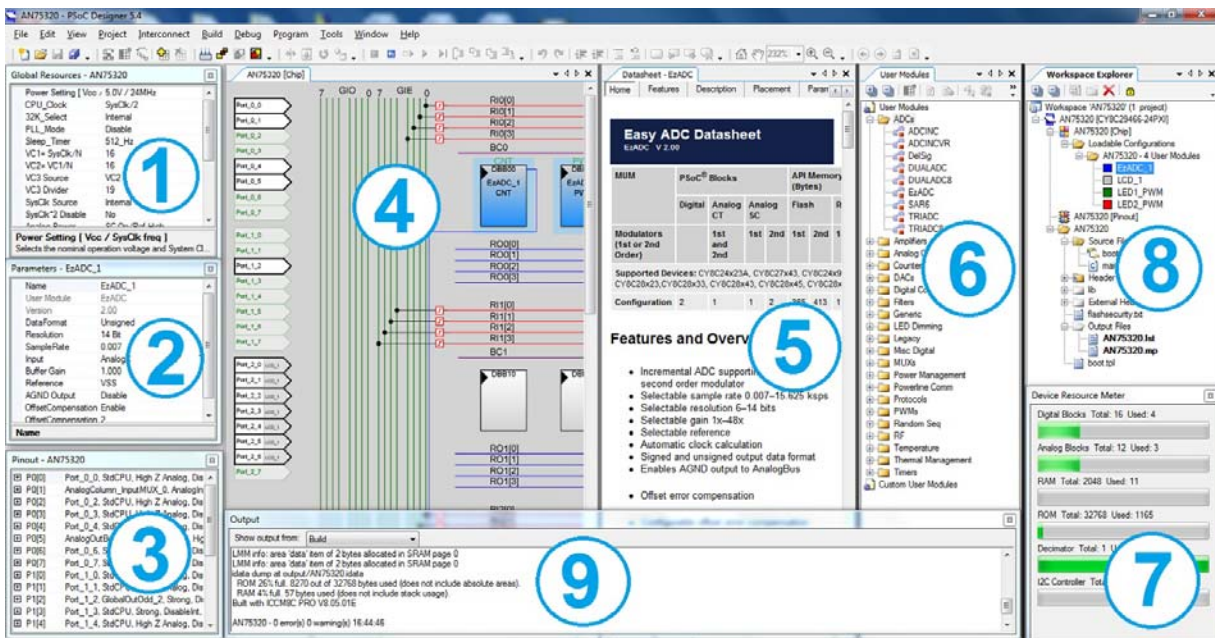
PSoC Designer

[PSoC Designer](#) is a free Windows-based Integrated Design Environment (IDE). Develop your applications using a library of pre-characterized analog and digital peripherals in a drag-and-drop design environment. Then, customize your design leveraging the dynamically generated API libraries of code. [Figure 1](#) shows PSoC Designer windows. **Note:** This is not the default view.

1. **Global Resources** – all device hardware settings.
2. **Parameters** – the parameters of the currently selected User Modules.
3. **Pinout** – information related to device pins.
4. **Chip-Level Editor** – a diagram of the resources available on the selected chip.
5. **Datasheet** – the datasheet for the currently selected UM
6. **User Modules** – all available User Modules for the selected device.
7. **Device Resource Meter** – device resource usage for the current project configuration.
8. **Workspace** – a tree level diagram of files associated with the project.
9. **Output** – output from project build and debug operations.

Note: For detailed information on PSoC Designer, go to PSoC® Designer > Help > Documentation > Designer Specific Documents > IDE User Guide.

Figure 1. PSoC Designer Layout



Contents

PSoC Functional Overview	4	Thermal Impedances	51
PSoC Core	4	Capacitance on Crystal Pins	51
Digital System	4	Solder Reflow Specifications	51
Analog System	5	Development Tool Selection	52
Additional System Resources	6	Software	52
PSoC Device Characteristics	6	Development Kits	52
Development Tools	7	Evaluation Tools	52
PSoC Designer Software Subsystems	7	Device Programmers	53
Designing with PSoC Designer	8	Accessories (Emulation and Programming)	53
Select User Modules	8	Ordering Information	54
Configure User Modules	8	Ordering Code Definitions	54
Organize and Connect	9	Acronyms	55
Generate, Verify, and Debug	9	Reference Documents	55
Pinouts	10	Document Conventions	56
28-Pin Part Pinout	10	Units of Measure	56
44-Pin Part Pinout	11	Numeric Conventions	56
48-Pin Part Pinout	12	Glossary	56
100-Pin Part Pinout	14	Errata	61
100-Pin Part Pinout (On-Chip Debug)	16	Part Numbers Affected	61
Register Reference	18	Qualification Status	61
Register Conventions	18	Errata Summary	61
Register Mapping Tables	18	Document History Page	63
Electrical Specifications	21	Sales, Solutions, and Legal Information	67
Absolute Maximum Ratings	21	Worldwide Sales and Design Support	67
Operating Temperature	22	Products	67
DC Electrical Characteristics	22	PSoC® Solutions	67
AC Electrical Characteristics	38	Cypress Developer Community	67
Packaging Information	47	Technical Support	67
Packaging Dimensions	47		

PSoC Functional Overview

The PSoC family consists of many Programmable System-on-Chip controller devices. These devices are designed to replace multiple traditional microcontroller unit (MCU)-based system components with one, low-cost single-chip programmable device. PSoC devices include configurable blocks of analog and digital logic, as well as programmable interconnects. This architecture allows you to create customized peripheral configurations that match the requirements of each individual application. Additionally, a fast central processing unit (CPU), flash program memory, SRAM data memory, and configurable I/O are included in a range of convenient pinouts and packages.

The PSoC architecture, as illustrated in the [Logic Block Diagram on page 1](#), consists of four main areas: PSoC core, digital system, analog system, and system resources. Configurable global busing allows all of the device resources to be combined into a complete custom system. The PSoC CY8C29x66 family can have up to five I/O ports that connect to the global digital and analog interconnects, providing access to 8 digital blocks and 12 analog blocks.

PSoC Core

The PSoC core is a powerful engine that supports a rich feature set. The core includes a CPU, memory, clocks, and configurable GPIOs.

The M8C CPU core is a powerful processor with speeds up to 24 MHz, providing a 4 million instructions per second (MIPS) 8-bit Harvard-architecture microprocessor. The CPU uses an interrupt controller with 17 vectors, to simplify programming of real-time embedded events. Program execution is timed and protected using the included sleep and watchdog timers (WDT).

Memory uses 32 KB of flash for program storage, 2 KB of SRAM for data storage, and up to 2 KB of EEPROM emulated using the flash. Program flash uses four protection levels on blocks of 64 bytes, allowing customized software information protection (IP).

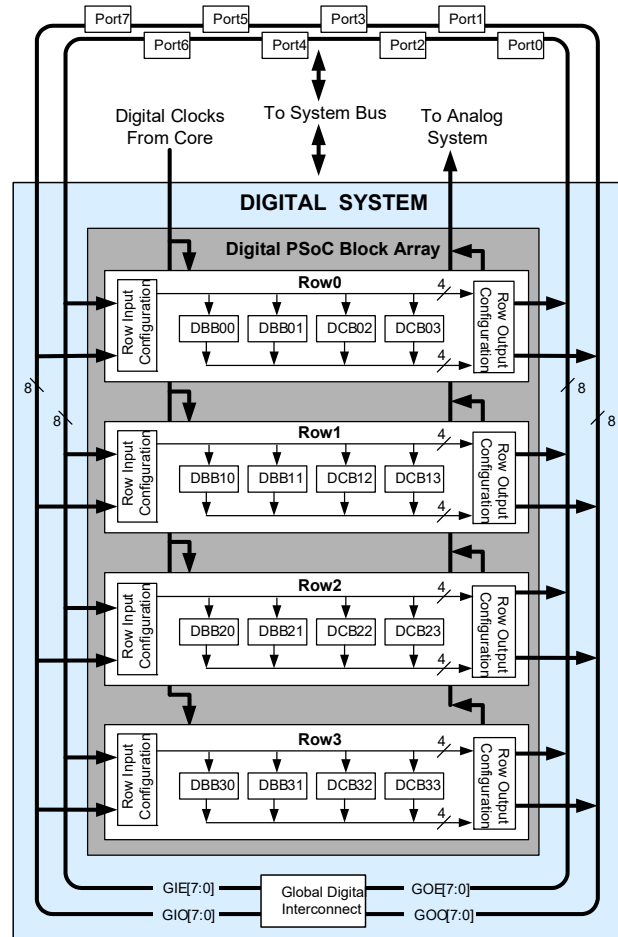
The PSoC device incorporates flexible internal clock generators, including a 24 MHz internal main oscillator (IMO) accurate to 5% [2] over temperature and voltage. The 24 MHz IMO can also be doubled to 48 MHz for use by the digital system. A low-power 32 kHz internal low speed oscillator (ILO) is provided for the sleep timer and WDT. If crystal accuracy is desired, the 32.768 kHz external crystal oscillator (ECO) is available for use as a real-time clock (RTC) and can optionally generate a crystal-accurate 24 MHz system clock using a PLL. The clocks, together with programmable clock dividers (as a system resource), provide the flexibility to integrate almost any timing requirement into the PSoC device.

PSoC GPIOs provide connection to the CPU, and digital and analog resources of the device. Each pin's drive mode may be selected from eight options, allowing great flexibility in external interfacing. Every pin also has the capability to generate a system interrupt on high level, low level, and change from last read.

Digital System

The digital system is composed of 16 digital PSoC blocks. Each block is an 8-bit resource that can be used alone or combined with other blocks to form 8-, 16-, 24-, and 32-bit peripherals, which are called user modules.

Figure 2. Digital System Block Diagram



Note

- Errata:** When the device is operated within 0 °C to 70 °C, the frequency tolerance is reduced to ±2.5%, but if operated at extreme temperature (below 0 °C or above 70 °C), frequency tolerance deviates from ±2.5% to ±5%. For more information, see [Errata on page 63](#).

Digital peripheral configurations include:

- PWMs (8- and 16-bit)
- PWMs with dead band (8- and 16-bit)
- Counters (8- to 32-bit)
- Timers (8- to 32-bit)
- UART 8-bit with selectable parity (up to 2)
- SPI slave and master (up to 2)
- I²C slave and multi-master (one available as a system resource)
- CRC generator (8- to 32-bit)
- IrDA (up to 2)
- PRS generators (8- to 32-bit)

The digital blocks can be connected to any GPIO through a series of global buses that can route any signal to any pin. The buses also allow for signal multiplexing and for performing logic operations. This configurability frees your designs from the constraints of a fixed peripheral controller.

Digital blocks are provided in rows of four, where the number of blocks varies by PSoC device family. This allows you the optimum choice of system resources for your application. Family resources are shown in the table titled “PSoC Device Characteristics” on page 6.

Analog System

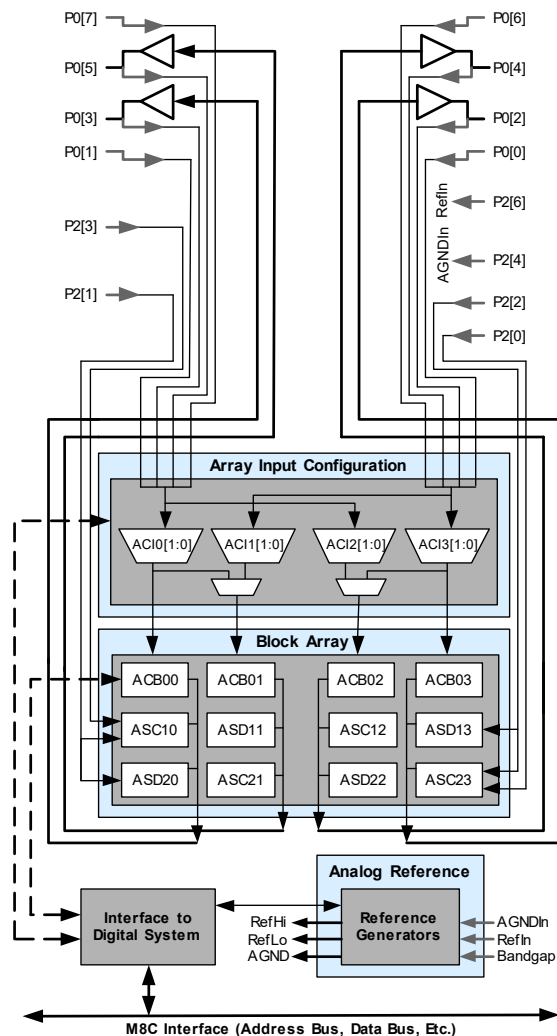
The analog system is composed of 12 configurable blocks, each containing an opamp circuit that allows the creation of complex analog signal flows. Analog peripherals are very flexible and can be customized to support specific application requirements. Some of the more common PSoC analog functions (most available as user modules) are:

- ADCs (up to 4, with 6- to 14-bit resolution; selectable as incremental, delta sigma, and SAR)
- Filters (2-, 4-, 6-, and 8-pole band pass, low pass, and notch)
- Amplifiers (up to 4, with selectable gain to 48x)
- Instrumentation amplifiers (up to 2, with selectable gain to 93x)
- Comparators (up to 4, with 16 selectable thresholds)
- DACs (up to 4, with 6-bit to 9-bit resolution)
- Multiplying DACs (up to 4, with 6-bit to 9-bit resolution)
- High current output drivers (four with 30-mA drive as a core resource)
- 1.3-V reference (as a system resource)

- DTMF Dialer
- Modulators
- Correlators
- Peak detectors
- Many other topologies possible

Analog blocks are provided in columns of three, which includes one continuous time (CT) and two switched capacitor (SC) blocks, as shown in Figure 3.

Figure 3. Analog System Block Diagram



Additional System Resources

System resources, some of which were previously listed, provide additional capability useful to complete systems. Additional resources include a multiplier, decimator, switch mode pump, low-voltage detection, and power-on-reset (POR).

- Digital clock dividers provide three customizable clock frequencies for use in applications. The clocks can be routed to both the digital and analog systems. Additional clocks can be generated using digital PSoC blocks as clock dividers.
- Multiply accumulate (MAC) provides a fast 8-bit multiplier with 32-bit accumulate, to assist in general math and digital filters.
- The decimator provides a custom hardware filter for digital signal processing applications including the creation of delta sigma ADCs.
- The I²C module provides 100 and 400 kHz communication over two wires. Slave, master, and multi-master modes are all supported.
- LVD interrupts can signal the application of falling voltage levels, while the advanced POR circuit eliminates the need for a system supervisor.
- An internal 1.3 V reference provides an absolute reference for the analog system, including ADCs and DACs.
- An integrated switch-mode pump (SMP) generates normal operating voltages from a single 1.2 V battery cell, providing a low cost boost converter.

PSoC Device Characteristics

Depending on your PSoC device characteristics, the digital and analog systems can have 16, 8, or 4 digital blocks and 12, 6, or 4 analog blocks. The following table lists the resources available for specific PSoC device groups. The PSoC device covered by this datasheet is highlighted.

Table 1. PSoC Device Characteristics

PSoC Part Number	Digital I/O	Digital Rows	Digital Blocks	Analog Inputs	Analog Outputs	Analog Columns	Analog Blocks	SRAM Size	Flash Size
CY8C29x66	up to 64	4	16	up to 12	4	4	12	2 K	32 K
CY8C28xxx	up to 44	up to 3	up to 12	up to 44	up to 4	up to 6	up to 12 + 4 ^[3]	1 K	16 K
CY8C27x43	up to 44	2	8	up to 12	4	4	12	256	16 K
CY8C24x94	up to 56	1	4	up to 48	2	2	6	1 K	16 K
CY8C24x23A	up to 24	1	4	up to 12	2	2	6	256	4 K
CY8C23x33	up to 26	1	4	up to 12	2	2	4	256	8 K
CY8C22x45	up to 38	2	8	up to 38	0	4	6 ^[3]	1 K	16 K
CY8C21x45	up to 24	1	4	up to 24	0	4	6 ^[3]	512	8 K
CY8C21x34	up to 28	1	4	up to 28	0	2	4 ^[3]	512	8 K
CY8C21x23	up to 16	1	4	up to 8	0	2	4 ^[3]	256	4 K
CY8C20x34	up to 28	0	0	up to 28	0	0	3 ^[3,4]	512	8 K
CY8C20xx6	up to 36	0	0	up to 36	0	0	3 ^[3,4]	up to 2 K	up to 32 K

Notes

3. Limited analog functionality.
4. Two analog blocks and one CapSense®.

Development Tools

PSoC Designer™ is the revolutionary Integrated Design Environment (IDE) that you can use to customize PSoC to meet your specific application requirements. PSoC Designer software accelerates system design and time to market. Develop your applications using a library of precharacterized analog and digital peripherals (called user modules) in a drag-and-drop design environment. Then, customize your design by leveraging the dynamically generated application programming interface (API) libraries of code. Finally, debug and test your designs with the integrated debug environment, including in-circuit emulation and standard software debug features. PSoC Designer includes:

- Application editor graphical user interface (GUI) for device and user module configuration and dynamic reconfiguration
- Extensive user module catalog
- Integrated source-code editor (C and assembly)
- Free C compiler with no size restrictions or time limits
- Built-in debugger
- In-circuit emulation
- Built-in support for communication interfaces:
 - Hardware and software I²C slaves and masters
 - Full-speed USB 2.0
 - Up to four full-duplex universal asynchronous receiver/transmitters (UARTs), SPI master and slave, and wireless

PSoC Designer supports the entire library of PSoC 1 devices and runs on Windows XP, Windows Vista, and Windows 7.

PSoC Designer Software Subsystems

Design Entry

In the chip-level view, choose a base device to work with. Then select different onboard analog and digital components that use the PSoC blocks, which are called user modules. Examples of user modules are analog-to-digital converters (ADCs), digital-to-analog converters (DACs), amplifiers, and filters. Configure the user modules for your chosen application and connect them to each other and to the proper pins. Then generate your project. This prepopulates your project with APIs and libraries that you can use to program your application.

The tool also supports easy development of multiple configurations and dynamic reconfiguration. Dynamic reconfiguration makes it possible to change configurations at run time. In essence, this allows you to use more than 100 percent of PSoC's resources for an application.

Code Generation Tools

The code generation tools work seamlessly within the PSoC Designer interface and have been tested with a full range of debugging tools. You can develop your design in C, assembly, or a combination of the two.

Assemblers. The assemblers allow you to merge assembly code seamlessly with C code. Link libraries automatically use absolute addressing or are compiled in relative mode, and linked with other software modules to get absolute addressing.

C Language Compilers. C language compilers are available that support the PSoC family of devices. The products allow you to create complete C programs for the PSoC family devices. The optimizing C compilers provide all of the features of C, tailored to the PSoC architecture. They come complete with embedded libraries providing port and bus operations, standard keypad and display support, and extended math functionality.

Debugger

PSoC Designer has a debug environment that provides hardware in-circuit emulation, allowing you to test the program in a physical system while providing an internal view of the PSoC device. Debugger commands allow you to read and program and read and write data memory, and read and write I/O registers. You can read and write CPU registers, set and clear breakpoints, and provide program run, halt, and step control. The debugger also allows you to create a trace buffer of registers and memory locations of interest.

Online Help System

The online help system displays online, context-sensitive help. Designed for procedural and quick reference, each functional subsystem has its own context-sensitive help. This system also provides tutorials and links to FAQs and an Online Support Forum to aid the designer.

In-Circuit Emulator

A low-cost, high-functionality In-Circuit Emulator (ICE) is available for development support. This hardware can program single devices.

The emulator consists of a base unit that connects to the PC using a USB port. The base unit is universal and operates with all PSoC devices. Emulation pods for each device family are available separately. The emulation pod takes the place of the PSoC device in the target board and performs full-speed (24 MHz) operation.

Designing with PSoC Designer

The development process for the PSoC[®] device differs from that of a traditional fixed function microprocessor. The configurable analog and digital hardware blocks give the PSoC architecture a unique flexibility that pays dividends in managing specification change during development and by lowering inventory costs. These configurable resources, called PSoC Blocks, have the ability to implement a wide variety of user-selectable functions. The PSoC development process is summarized in four steps:

1. Select [User Modules](#).
2. Configure user modules.
3. Organize and connect.
4. Generate, verify, and debug.

Select User Modules

PSoC Designer provides a library of prebuilt, pretested hardware peripheral components called “user modules.” User modules

make selecting and implementing peripheral devices, both analog and digital, simple.

Configure User Modules

Each user module that you select establishes the basic register settings that implement the selected function. They also provide parameters and properties that allow you to tailor their precise configuration to your particular application. For example, a pulse width modulator (PWM) User Module configures one or more digital PSoC blocks, one for each 8 bits of resolution. The user module parameters permit you to establish the pulse width and duty cycle. Configure the parameters and properties to correspond to your chosen application. Enter values directly or by selecting values from drop-down menus. All the user modules are documented in datasheets that may be viewed directly in PSoC Designer or on the Cypress website. These [user module datasheets](#) explain the internal operation of the user module and provide performance specifications. Each datasheet describes the use of each user module parameter, and other information you may need to successfully implement your design.

Organize and Connect

You build signal chains at the chip level by interconnecting user modules to each other and the I/O pins. You perform the selection, configuration, and routing so that you have complete control over all on-chip resources.

Generate, Verify, and Debug

When you are ready to test the hardware configuration or move on to developing code for the project, you perform the “Generate Configuration Files” step. This causes PSoC Designer to generate source code that automatically configures the device to your specification and provides the software for the system. The generated code provides application programming interfaces (APIs) with high-level functions to control and respond to hardware events at run time and interrupt service routines that you can adapt as needed.

A complete code development environment allows you to develop and customize your applications in either C, assembly language, or both.

The last step in the development process takes place inside PSoC Designer’s debugger (access by clicking the Connect icon). PSoC Designer downloads the HEX image to the ICE where it runs at full speed. PSoC Designer debugging capabilities rival those of systems costing many times more. In addition to traditional single-step, run-to-breakpoint and watch-variable features, the debug interface provides a large trace buffer and allows you to define complex breakpoint events that include monitoring address and data bus values, memory locations and external signals.

Pinouts

The CY8C29x66 PSoC device is available in a variety of packages which are listed and illustrated in the following tables. Every port pin (labeled with a "P") is capable of Digital I/O. However, V_{SS} , V_{DD} , SMP, and XRES are not capable of Digital I/O.

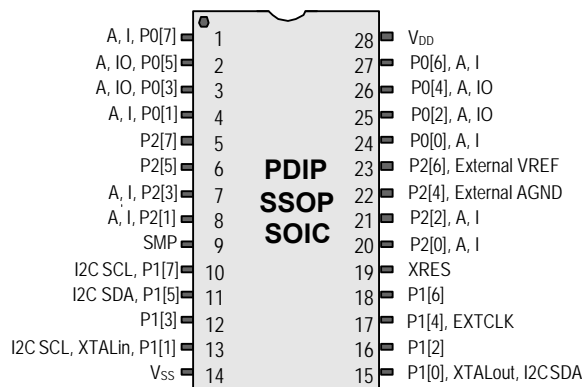
28-Pin Part Pinout

Table 2. 28-Pin Part Pinout (PDIP, SSOP, SOIC)

Pin No.	Type		Pin Name	Description
	Digital	Analog		
1	I/O	I	P0[7]	Analog column mux input
2	I/O	I/O	P0[5]	Analog column mux input and column output
3	I/O	I/O	P0[3]	Analog column mux input and column output
4	I/O	I	P0[1]	Analog column mux input
5	I/O		P2[7]	
6	I/O		P2[5]	
7	I/O	I	P2[3]	Direct switched capacitor block input
8	I/O	I	P2[1]	Direct switched capacitor block input
9	Power		SMP	Switch mode pump (SMP) connection to external components required
10	I/O		P1[7]	I ² C serial clock (SCL)
11	I/O		P1[5]	I ² C serial data (SDA)
12	I/O		P1[3]	
13	I/O		P1[1]	Crystal (XTALin), I ² C Serial Clock (SCL), ISSP-SCLK ^[5]
14	Power		V_{SS}	Ground connection
15	I/O		P1[0]	Crystal (XTALout), I ² C Serial Data (SDA), ISSP-SDATA ^[5]
16	I/O		P1[2]	
17	I/O		P1[4]	Optional external clock input (EXTCLK)
18	I/O		P1[6]	
19	Input		XRES	Active high external reset with internal pull-down
20	I/O	I	P2[0]	Direct switched capacitor block input
21	I/O	I	P2[2]	Direct switched capacitor block input
22	I/O		P2[4]	External analog ground (AGND)
23	I/O		P2[6]	External voltage reference (VREF)
24	I/O	I	P0[0]	Analog column mux input
25	I/O	I/O	P0[2]	Analog column mux input and column output
26	I/O	I/O	P0[4]	Analog column mux input and column output
27	I/O	I	P0[6]	Analog column mux input
28	Power		V_{DD}	Supply voltage

LEGEND: A = Analog, I = Input, and O = Output.

Figure 4. CY8C29466 28-Pin PSoC Device



Note

5. These are the ISSP pins, which are not High Z at Power On Reset (POR). See the *PSoC Programmable System-on-Chip Technical Reference Manual* for details.

44-Pin Part Pinout

Table 3. 44-Pin Part Pinout (TQFP)

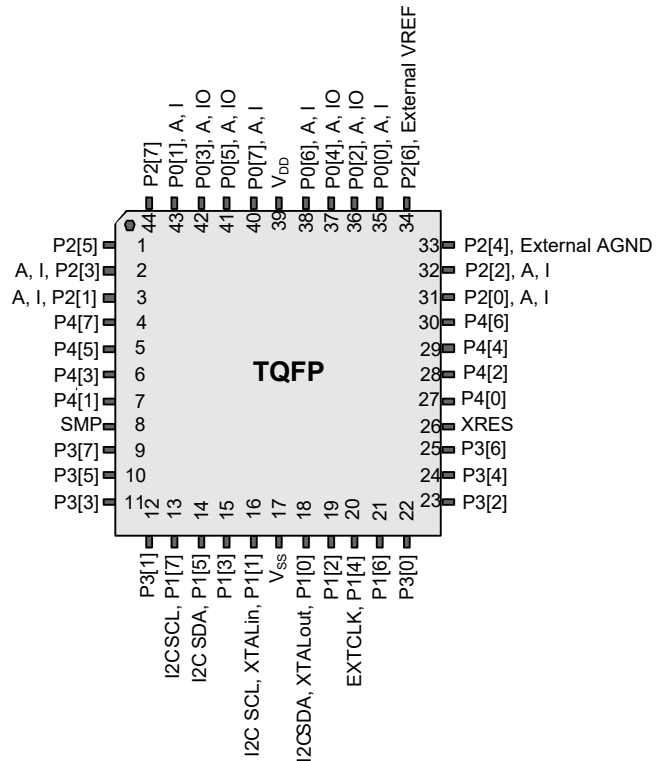
Pin No.	Type		Pin Name	Description
	Digital	Analog		
1	I/O		P2[5]	
2	I/O	I	P2[3]	Direct switched capacitor block input
3	I/O	I	P2[1]	Direct switched capacitor block input
4	I/O		P4[7]	
5	I/O		P4[5]	
6	I/O		P4[3]	
7	I/O		P4[1]	
8	Power		SMP	Switch mode pump (SMP) connection to external components required
9	I/O		P3[7]	
10	I/O		P3[5]	
11	I/O		P3[3]	
12	I/O		P3[1]	
13	I/O		P1[7]	I ² C SCL
14	I/O		P1[5]	I ² C SDA
15	I/O		P1[3]	
16	I/O		P1[1]	Crystal (XTALin), I ² C SCL, ISSP-SCLK ^[6]
17	Power		V _{SS}	Ground connection
18	I/O		P1[0]	Crystal (XTALout), I ² C SDA, ISSP-SDATA ^[6]
19	I/O		P1[2]	
20	I/O		P1[4]	Optional EXTCLK
21	I/O		P1[6]	
22	I/O		P3[0]	
23	I/O		P3[2]	
24	I/O		P3[4]	
25	I/O		P3[6]	
26	Input		XRES	Active high external reset with internal pull-down
27	I/O		P4[0]	
28	I/O		P4[2]	
29	I/O		P4[4]	
30	I/O		P4[6]	
31	I/O	I	P2[0]	Direct switched capacitor block input
32	I/O	I	P2[2]	Direct switched capacitor block input
33	I/O		P2[4]	External analog ground (AGND)
34	I/O		P2[6]	External voltage reference (VREF)
35	I/O	I	P0[0]	Analog column mux input
36	I/O	I/O	P0[2]	Analog column mux input and column output
37	I/O	I/O	P0[4]	Analog column mux input and column output
38	I/O	I	P0[6]	Analog column mux input
39	Power		V _{DD}	Supply voltage
40	I/O	I	P0[7]	Analog column mux input
41	I/O	I/O	P0[5]	Analog column mux input and column output
42	I/O	I/O	P0[3]	Analog column mux input and column output
43	I/O	I	P0[1]	Analog column mux input
44	I/O		P2[7]	

LEGEND: A = Analog, I = Input, and O = Output.

Note

6. These are the ISSP pins, which are not High Z at POR. See the *PSoC Programmable System-on-Chip Technical Reference Manual* for details.

Figure 5. CY8C29566 44-Pin PSoC Device



48-Pin Part Pinout

Table 4. 48-Pin Part Pinout (SSOP)

Pin No.	Type		Pin Name	Description
	Digital	Analog		
1	I/O	I	P0[7]	Analog column mux input
2	I/O	I/O	P0[5]	Analog column mux input and column output
3	I/O	I/O	P0[3]	Analog column mux input and column output
4	I/O	I	P0[1]	Analog column mux input
5	I/O		P2[7]	
6	I/O		P2[5]	
7	I/O	I	P2[3]	Direct switched capacitor block input
8	I/O	I	P2[1]	Direct switched capacitor block input
9	I/O		P4[7]	
10	I/O		P4[5]	
11	I/O		P4[3]	
12	I/O		P4[1]	
13	Power		SMP	Switch mode pump (SMP) connection to external components required
14	I/O		P3[7]	
15	I/O		P3[5]	
16	I/O		P3[3]	
17	I/O		P3[1]	
18	I/O		P5[3]	
19	I/O		P5[1]	
20	I/O		P1[7]	I ² C SCL
21	I/O		P1[5]	I ² C SDA
22	I/O		P1[3]	
23	I/O		P1[1]	Crystal (XTALin), I ² C SCL, ISSP-SCLK ^[7]
24	Power		V _{SS}	Ground connection
25	I/O		P1[0]	Crystal (XTALout), I ² C SDA, ISSP-SDATA ^[7]
26	I/O		P1[2]	
27	I/O		P1[4]	Optional EXTCLK
28	I/O		P1[6]	
29	I/O		P5[0]	
30	I/O		P5[2]	
31	I/O		P3[0]	
32	I/O		P3[2]	
33	I/O		P3[4]	
34	I/O		P3[6]	
35	Input		XRES	Active high external reset with internal pull-down
36	I/O		P4[0]	
37	I/O		P4[2]	
38	I/O		P4[4]	
39	I/O		P4[6]	
40	I/O	I	P2[0]	Direct switched capacitor block input
41	I/O	I	P2[2]	Direct switched capacitor block input
42	I/O		P2[4]	External Analog Ground (AGND)
43	I/O		P2[6]	External Voltage Reference (VREF)
44	I/O	I	P0[0]	Analog column mux input
45	I/O	I/O	P0[2]	Analog column mux input and column output
46	I/O	I/O	P0[4]	Analog column mux input and column output
47	I/O	I	P0[6]	Analog column mux input
48	Power		V _{DD}	Supply voltage

LEGEND: A = Analog, I = Input, and O = Output.

Note

7. These are the ISSP pins, which are not High Z at POR. See the *PSoC Programmable System-on-Chip Technical Reference Manual* for details.

Figure 6. CY8C29666 48-Pin PSoC Device

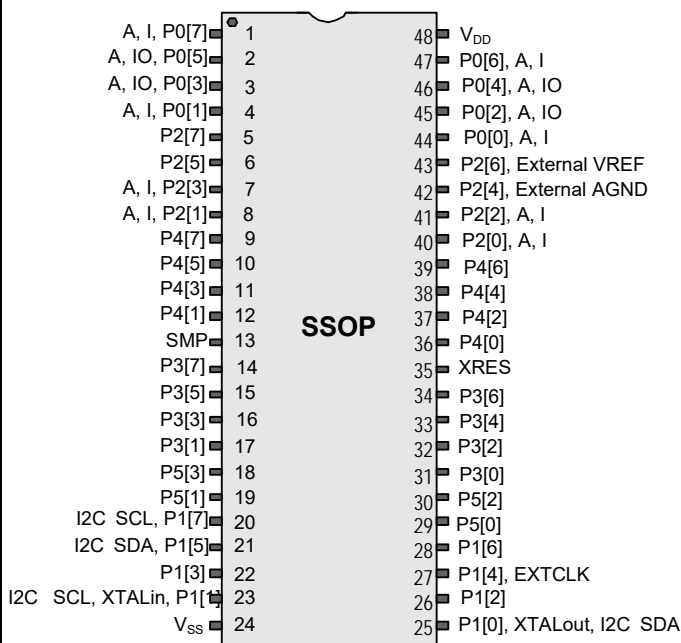


Table 5. 48-Pin Part Pinout (QFN) [9]

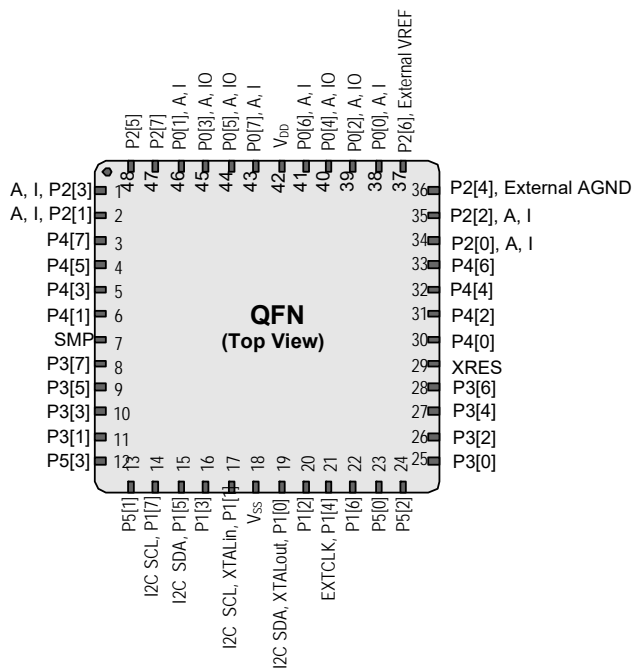
Pin No.	Type		Pin Name	Description
	Digital	Analog		
1	I/O	I	P2[3]	Direct switched capacitor block input
2	I/O	I	P2[1]	Direct switched capacitor block input
3	I/O		P4[7]	
4	I/O		P4[5]	
5	I/O		P4[3]	
6	I/O		P4[1]	
7	Power		SMP	Switch mode pump (SMP) connection to external components required
8	I/O		P3[7]	
9	I/O		P3[5]	
10	I/O		P3[3]	
11	I/O		P3[1]	
12	I/O		P5[3]	
13	I/O		P5[1]	
14	I/O		P1[7]	I ² C SCL
15	I/O		P1[5]	I ² C SDA
16	I/O		P1[3]	
17	I/O		P1[1]	Crystal (XTALin), I ² C SCL, ISSP-SCLK ⁸
18	Power		V _{SS}	Ground connection
19	I/O		P1[0]	Crystal (XTALout), I ² C SDA, ISSP-SDATA ⁸
20	I/O		P1[2]	
21	I/O		P1[4]	Optional EXTCLK
22	I/O		P1[6]	
23	I/O		P5[0]	
24	I/O		P5[2]	
25	I/O		P3[0]	
26	I/O		P3[2]	
27	I/O		P3[4]	
28	I/O		P3[6]	
29	Input		XRES	Active high external reset with internal pull-down
30	I/O		P4[0]	
31	I/O		P4[2]	
32	I/O		P4[4]	
33	I/O		P4[6]	
34	I/O	I	P2[0]	Direct switched capacitor block input
35	I/O	I	P2[2]	Direct switched capacitor block input
36	I/O		P2[4]	External analog ground (AGND)
37	I/O		P2[6]	External voltage reference (VREF)
38	I/O	I	P0[0]	Analog column mux input
39	I/O	I/O	P0[2]	Analog column mux input and column output
40	I/O	I/O	P0[4]	Analog column mux input and column output
41	I/O	I	P0[6]	Analog column mux input
42	Power		V _{DD}	Supply voltage
43	I/O	I	P0[7]	Analog column mux input
44	I/O	I/O	P0[5]	Analog column mux input and column output
45	I/O	I/O	P0[3]	Analog column mux input and column output
46	I/O	I	P0[1]	Analog column mux input
47	I/O		P2[7]	
48	I/O		P2[5]	

LEGEND: A = Analog, I = Input, and O = Output.

Notes

- These are the ISSP pins, which are not High Z at POR. See the *PSoC Programmable System-on-Chip Technical Reference Manual* for details.
- The QFN package has a center pad that must be connected to ground (V_{SS}).

Figure 7. CY8C29666 48-Pin PSoC Device



100-Pin Part Pinout

Table 6. 100-Pin Part Pinout (TQFP)

Pin No.	Type		Name	Description	Pin No.	Type		Name	Description
	Digital	Analog				Digital	Analog		
1			NC	No connection. Pin must be left floating	51			NC	No connection. Pin must be left floating
2			NC	No connection. Pin must be left floating	52	I/O		P5[0]	
3	I/O	I	P0[1]	Analog column mux input	53	I/O		P5[2]	
4	I/O		P2[7]		54	I/O		P5[4]	
5	I/O		P2[5]		55	I/O		P5[6]	
6	I/O	I	P2[3]	Direct switched capacitor block input	56	I/O		P3[0]	
7	I/O	I	P2[1]	Direct switched capacitor block input	57	I/O		P3[2]	
8	I/O		P4[7]		58	I/O		P3[4]	
9	I/O		P4[5]		59	I/O		P3[6]	
10	I/O		P4[3]		60			NC	No connection. Pin must be left floating
11	I/O		P4[1]		61			NC	No connection. Pin must be left floating
12			NC	No connection. Pin must be left floating	62		Input	XRES	Active high external reset with internal pull-down
13			NC	No connection. Pin must be left floating	63	I/O		P4[0]	
14		Power	SMP	Switch mode pump (SMP) connection to external components required	64	I/O		P4[2]	
15		Power	V _{SS}	Ground connection ^[10]	65		Power	V _{SS}	Ground connection ^[10]
16	I/O		P3[7]		66	I/O		P4[4]	
17	I/O		P3[5]		67	I/O		P4[6]	
18	I/O		P3[3]		68	I/O	I	P2[0]	Direct switched capacitor block input
19	I/O		P3[1]		69	I/O	I	P2[2]	Direct switched capacitor block input
20	I/O		P5[7]		70	I/O		P2[4]	External Analog Ground (AGND)
21	I/O		P5[5]		71			NC	No connection. Pin must be left floating
22	I/O		P5[3]		72	I/O		P2[6]	External Voltage Reference (VREF)
23	I/O		P5[1]		73			NC	No connection. Pin must be left floating
24	I/O		P1[7]	I ² C SCL	74	I/O	I	P0[0]	Analog column mux input
25			NC	No connection. Pin must be left floating	75			NC	No connection. Pin must be left floating
26			NC	No connection. Pin must be left floating	76			NC	No connection. Pin must be left floating
27			NC	No connection. Pin must be left floating	77	I/O	I/O	P0[2]	Analog column mux input and column output
28	I/O		P1[5]	I ² C SDA	78			NC	No connection. Pin must be left floating
29	I/O		P1[3]		79	I/O	I/O	P0[4]	Analog column mux input and column output
30	I/O		P1[1]	Crystal (XTAL _{in}), I ² C Serial Clock (SCL), ISSP-SCLK ^[11]	80			NC	No connection. Pin must be left floating
31			NC	No connection. Pin must be left floating	81	I/O	I	P0[6]	Analog column mux input
32		Power	V _{DD}	Supply voltage	82		Power	V _{DD}	Supply voltage
33			NC	No connection. Pin must be left floating	83		Power	V _{DD}	Supply voltage
34		Power	V _{SS}	Ground connection ^[10]	84		Power	V _{SS}	Ground connection ^[10]
35			NC	No connection. Pin must be left floating	85		Power	V _{SS}	Ground connection ^[10]
36	I/O		P7[7]		86	I/O		P6[0]	
37	I/O		P7[6]		87	I/O		P6[1]	
38	I/O		P7[5]		88	I/O		P6[2]	
39	I/O		P7[4]		89	I/O		P6[3]	
40	I/O		P7[3]		90	I/O		P6[4]	
41	I/O		P7[2]		91	I/O		P6[5]	
42	I/O		P7[1]		92	I/O		P6[6]	
43	I/O		P7[0]		93	I/O		P6[7]	
44	I/O		P1[0]	Crystal (XTAL _{out}), I ² C Serial Data (SDA), ISSP-SDATA ^[11]	94			NC	No connection. Pin must be left floating
45	I/O		P1[2]		95	I/O	I	P0[7]	Analog column mux input
46	I/O		P1[4]	Optional EXTCLK	96			NC	No connection. Pin must be left floating
47	I/O		P1[6]		97	I/O	I/O	P0[5]	Analog column mux input and column output
48			NC	No connection. Pin must be left floating	98			NC	No connection. Pin must be left floating
49			NC	No connection. Pin must be left floating	99	I/O	I/O	P0[3]	Analog column mux input and column output
50			NC	No connection. Pin must be left floating	100			NC	No connection. Pin must be left floating

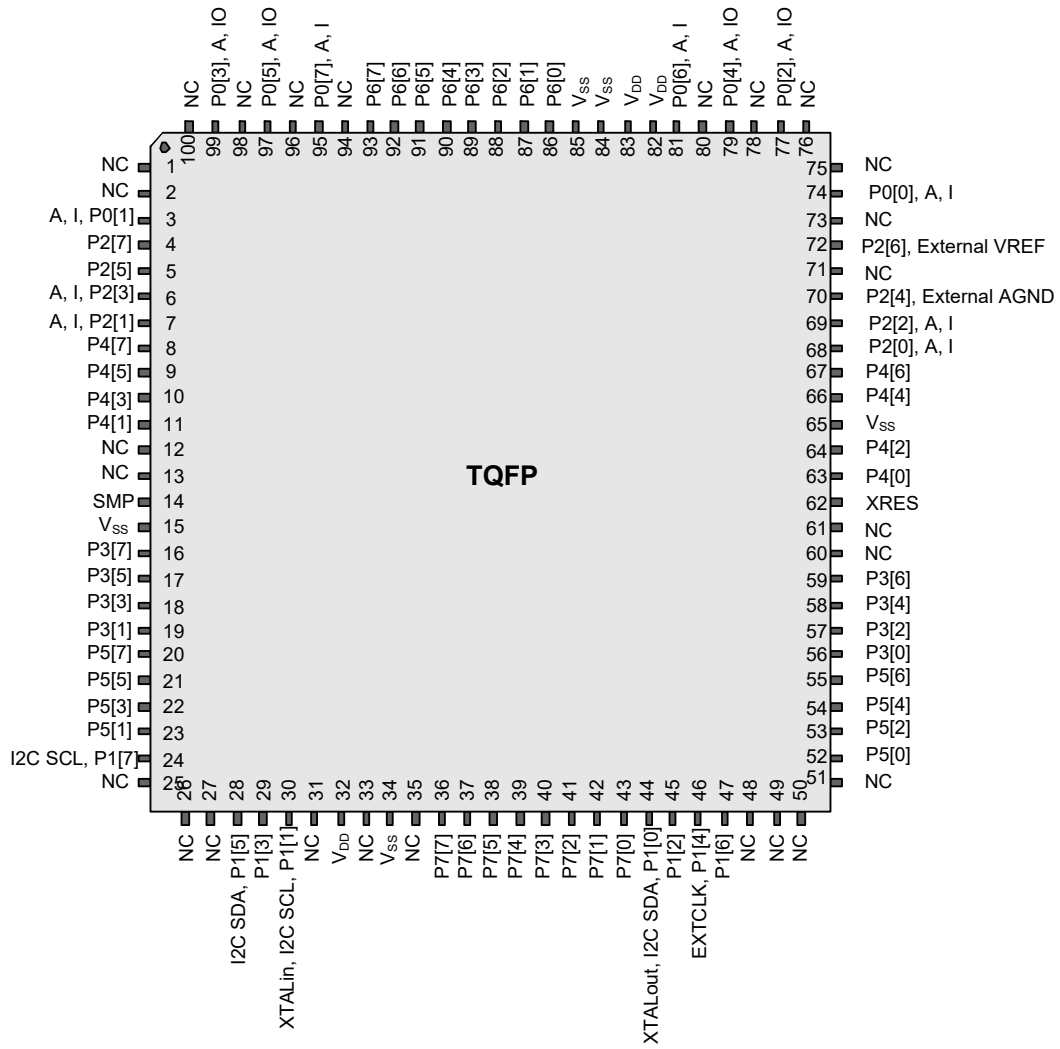
LEGEND: A = Analog, I = Input, and O = Output.

Notes

10. All V_{SS} pins should be brought out to one common GND plane.

11. These are the ISSP pins, which are not High Z at POR. See the *PSoC Programmable System-on-Chip Technical Reference Manual* for details.

Figure 8. CY8C29866 100-Pin PSoC Device



100-Pin Part Pinout (On-Chip Debug)

The 100-pin TQFP part is for the CY8C29000 On-Chip Debug (OCD) PSoC device.

Note OCD parts are only used for in-circuit debugging. OCD parts are NOT available for production.

Table 7. 100-Pin OCD Part Pinout (TQFP)

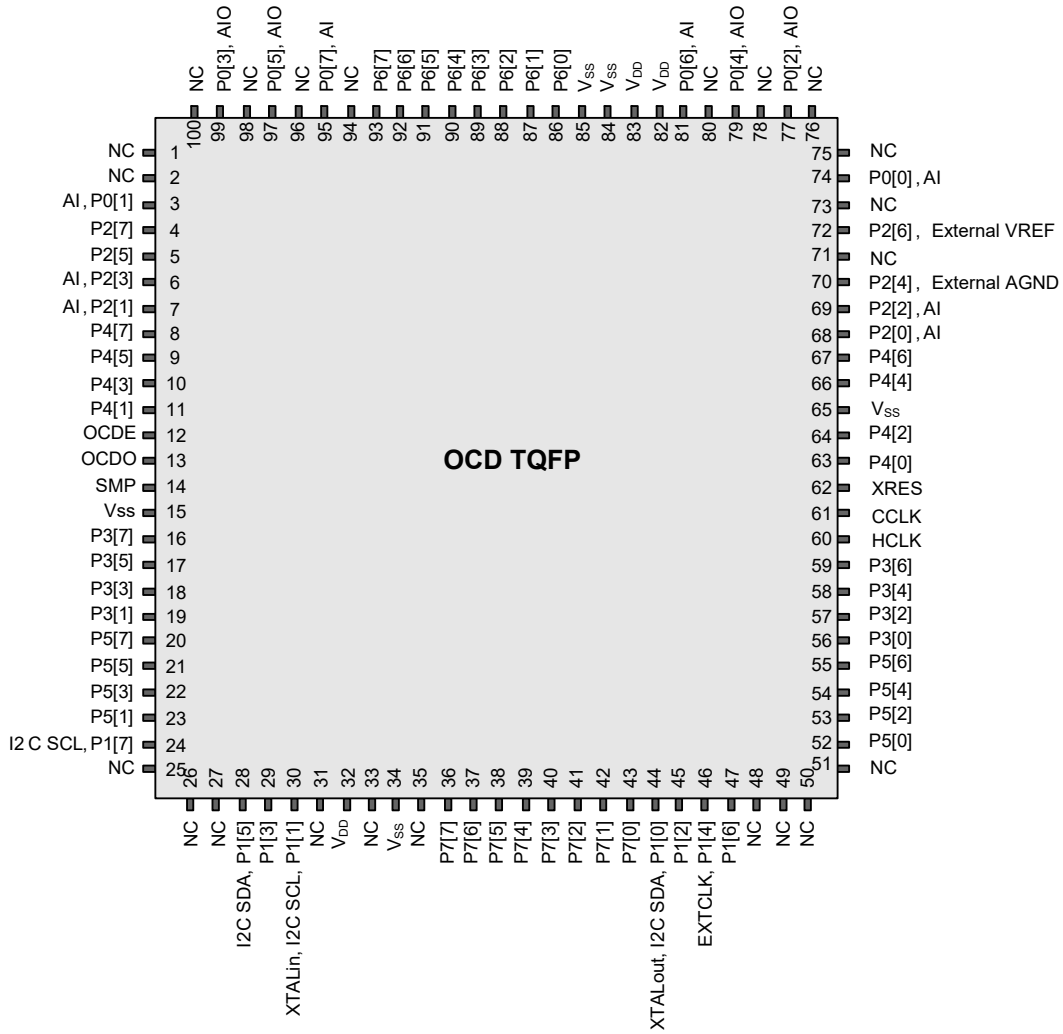
Pin No.	Digital	Analog	Name	Description	Pin No.	Digital	Analog	Name	Description
1			NC	No internal connection	51			NC	No internal connection
2			NC	No internal connection	52	I/O		P5[0]	
3	I/O	I	P0[1]	Analog column mux input	53	I/O		P5[2]	
4	I/O		P2[7]		54	I/O		P5[4]	
5	I/O		P2[5]		55	I/O		P5[6]	
6	I/O	I	P2[3]	Direct switched capacitor block input	56	I/O		P3[0]	
7	I/O	I	P2[1]	Direct switched capacitor block input	57	I/O		P3[2]	
8	I/O		P4[7]		58	I/O		P3[4]	
9	I/O		P4[5]		59	I/O		P3[6]	
10	I/O		P4[3]		60			HCLK	OCD high speed clock output
11	I/O		P4[1]		61			CCLK	OCD CPU clock output
12			OCDE	OCD even data I/O	62	Input		XRES	Active high pin reset with internal pull-down
13			OCDO	OCD odd data output	63	I/O		P4[0]	
14	Power		SMP	Switch Mode Pump (SMP) connection to required external components	64	I/O		P4[2]	
15	Power		V _{SS}	Ground connection ^[12]	65	Power		V _{SS}	Ground connection ^[12]
16	I/O		P3[7]		66	I/O		P4[4]	
17	I/O		P3[5]		67	I/O		P4[6]	
18	I/O		P3[3]		68	I/O	I	P2[0]	Direct switched capacitor block input
19	I/O		P3[1]		69	I/O	I	P2[2]	Direct switched capacitor block input
20	I/O		P5[7]		70	I/O		P2[4]	External Analog Ground (AGND) input
21	I/O		P5[5]		71			NC	No internal connection
22	I/O		P5[3]		72	I/O		P2[6]	External Voltage Reference (VREF) input
23	I/O		P5[1]		73			NC	No internal connection
24	I/O		P1[7]	I ² C SCL	74	I/O	I	P0[0]	Analog column mux input
25			NC	No internal connection	75			NC	No internal connection
26			NC	No internal connection	76			NC	No internal connection
27			NC	No internal connection	77	I/O	I/O	P0[2]	Analog column mux input and column output
28	I/O		P1[5]	I ² C SDA	78			NC	No internal connection
29	I/O		P1[3]	I _F TEST	79	I/O	I/O	P0[4]	Analog column mux input and column output, V _{REF}
30	I/O		P1[1] ^[13]	Crystal (XTALin), I ² C SCL, TC SCLK.	80			NC	No internal connection
31			NC	No internal connection	81	I/O	I	P0[6]	Analog column mux input
32	Power		V _{DD}	Supply voltage	82	Power		V _{DD}	Supply voltage
33			NC	No internal connection	83	Power		V _{DD}	Supply voltage
34	Power		V _{SS}	Ground connection ^[12]	84	Power		V _{SS}	Ground connection ^[12]
35			NC	No internal connection	85	Power		V _{SS}	Ground connection ^[12]
36	I/O		P7[7]		86	I/O		P6[0]	
37	I/O		P7[6]		87	I/O		P6[1]	
38	I/O		P7[5]		88	I/O		P6[2]	
39	I/O		P7[4]		89	I/O		P6[3]	
40	I/O		P7[3]		90	I/O		P6[4]	
41	I/O		P7[2]		91	I/O		P6[5]	
42	I/O		P7[1]		92	I/O		P6[6]	
43	I/O		P7[0]		93	I/O		P6[7]	
44	I/O		P1[0]*	Crystal (XTALout), I ² C SDA, TC SDA	94			NC	No internal connection
45	I/O		P1[2]	V _F TEST	95	I/O	I	P0[7]	Analog column mux input
46	I/O		P1[4]	Optional External Clock Input (EXTCLK)	96			NC	No internal connection
47	I/O		P1[6]		97	I/O	I/O	P0[5]	Analog column mux input and column output
48			NC	No internal connection	98			NC	No internal connection
49			NC	No internal connection	99	I/O	I/O	P0[3]	Analog column mux input and column output
50			NC	No internal connection	100			NC	No internal connection

LEGEND A = Analog, I = Input, O = Output, NC = No connection. Pin must be left floating, TC/TM: Test.

Notes

- 12. All V_{SS} pins should be brought out to one common GND plane.
- 13. ISSP pin which is not High-Z at POR.

Figure 9. CY8C29000 OCD (Not for Production)



Register Reference

This section lists the registers of the CY8C29x66 PSoC device. For detailed register information, refer to the *PSoC Programmable System-on-Chip Technical Reference Manual*.

Register Conventions

The register conventions specific to this section are listed in [Table 8](#).

Table 8. Register Conventions

Convention	Description
R	Read register or bit(s)
W	Write register or bit(s)
L	Logical register or bit(s)
C	Clearable register or bit(s)
#	Access is bit specific

Register Mapping Tables

The PSoC device has a total register address space of 512 bytes. The register space is referred to as I/O space and is divided into two banks. The XO1 bit in the flag register (CPU_F) determines which bank the user is currently in. When the XO1 bit is set the user is in Bank 1.

Note In the register mapping tables, blank fields are reserved and should not be accessed.

Table 9. Register Map Bank 0 Table: User Space

Name	Addr (0,Hex)	Access	Name	Addr (0,Hex)	Access	Name	Addr (0,Hex)	Access	Name	Addr (0,Hex)	Access
PRT0DR	00	RW	DBB20DR0	40	#	ASC10CR0	80	RW	RD12RI	C0	RW
PRT0IE	01	RW	DBB20DR1	41	W	ASC10CR1	81	RW	RD12SYN	C1	RW
PRT0GS	02	RW	DBB20DR2	42	RW	ASC10CR2	82	RW	RD12IS	C2	RW
PRT0DM2	03	RW	DBB20CR0	43	#	ASC10CR3	83	RW	RD12LT0	C3	RW
PRT1DR	04	RW	DBB21DR0	44	#	ASD11CR0	84	RW	RD12LT1	C4	RW
PRT1IE	05	RW	DBB21DR1	45	W	ASD11CR1	85	RW	RD12RO0	C5	RW
PRT1GS	06	RW	DBB21DR2	46	RW	ASD11CR2	86	RW	RD12RO1	C6	RW
PRT1DM2	07	RW	DBB21CR0	47	#	ASD11CR3	87	RW		C7	
PRT2DR	08	RW	DCB22DR0	48	#	ASC12CR0	88	RW	RD13RI	C8	RW
PRT2IE	09	RW	DCB22DR1	49	W	ASC12CR1	89	RW	RD13SYN	C9	RW
PRT2GS	0A	RW	DCB22DR2	4A	RW	ASC12CR2	8A	RW	RD13IS	CA	RW
PRT2DM2	0B	RW	DCB22CR0	4B	#	ASC12CR3	8B	RW	RD13LT0	CB	RW
PRT3DR	0C	RW	DCB23DR0	4C	#	ASD13CR0	8C	RW	RD13LT1	CC	RW
PRT3IE	0D	RW	DCB23DR1	4D	W	ASD13CR1	8D	RW	RD13RO0	CD	RW
PRT3GS	0E	RW	DCB23DR2	4E	RW	ASD13CR2	8E	RW	RD13RO1	CE	RW
PRT3DM2	0F	RW	DCB23CR0	4F	#	ASD13CR3	8F	RW		CF	
PRT4DR	10	RW	DBB30DR0	50	#	ASD20CR0	90	RW	CUR_PP	D0	RW
PRT4IE	11	RW	DBB30DR1	51	W	ASD20CR1	91	RW	STK_PP	D1	RW
PRT4GS	12	RW	DBB30DR2	52	RW	ASD20CR2	92	RW		D2	
PRT4DM2	13	RW	DBB30CR0	53	#	ASD20CR3	93	RW	IDX_PP	D3	RW
PRT5DR	14	RW	DBB31DR0	54	#	ASC21CR0	94	RW	MVR_PP	D4	RW
PRT5IE	15	RW	DBB31DR1	55	W	ASC21CR1	95	RW	MVW_PP	D5	RW
PRT5GS	16	RW	DBB31DR2	56	RW	ASC21CR2	96	RW	I2C_CFG	D6	RW
PRT5DM2	17	RW	DBB31CR0	57	#	ASC21CR3	97	RW	I2C_SCR	D7	#
PRT6DR	18	RW	DCB32DR0	58	#	ASD22CR0	98	RW	I2C_DR	D8	RW
PRT6IE	19	RW	DCB32DR1	59	W	ASD22CR1	99	RW	I2C_MSCR	D9	#
PRT6GS	1A	RW	DCB32DR2	5A	RW	ASD22CR2	9A	RW	INT_CLR0	DA	RW
PRT6DM2	1B	RW	DCB32CR0	5B	#	ASD22CR3	9B	RW	INT_CLR1	DB	RW
PRT7DR	1C	RW	DCB33DR0	5C	#	ASC23CR0	9C	RW	INT_CLR2	DC	RW
PRT7IE	1D	RW	DCB33DR1	5D	W	ASC23CR1	9D	RW	INT_CLR3	DD	RW
PRT7GS	1E	RW	DCB33DR2	5E	RW	ASC23CR2	9E	RW	INT_MSK3	DE	RW
PRT7DM2	1F	RW	DCB33CR0	5F	#	ASC23CR3	9F	RW	INT_MSK2	DF	RW
DBB00DR0	20	#	AMX_IN	60	RW		A0		INT_MSK0	E0	RW
DBB00DR1	21	W		61			A1		INT_MSK1	E1	RW
DBB00DR2	22	RW		62			A2		INT_VC	E2	RC
DBB00CR0	23	#	ARF_CR	63	RW		A3		RES_WDT	E3	W
DBB01DR0	24	#	CMP_CR0	64	#		A4		DEC_DH	E4	RC
DBB01DR1	25	W	ASY_CR	65	#		A5		DEC_DL	E5	RC
DBB01DR2	26	RW	CMP_CR1	66	RW		A6		DEC_CR0	E6	RW
DBB01CR0	27	#		67			A7		DEC_CR1	E7	RW
DCB02DR0	28	#		68		MUL1_X	A8	W	MULO_X	E8	W
DCB02DR1	29	W		69		MUL1_Y	A9	W	MULO_Y	E9	W
DCB02DR2	2A	RW		6A		MUL1_DH	AA	R	MULO_DH	EA	R
DCB02CR0	2B	#		6B		MUL1_DL	AB	R	MULO_DL	EB	R
DCB03DR0	2C	#	TMP_DR0	6C	RW	ACC1_DR1	AC	RW	ACC0_DR1	EC	RW
DCB03DR1	2D	W	TMP_DR1	6D	RW	ACC1_DR0	AD	RW	ACC0_DR0	ED	RW
DCB03DR2	2E	RW	TMP_DR2	6E	RW	ACC1_DR3	AE	RW	ACC0_DR3	EE	RW
DCB03CR0	2F	#	TMP_DR3	6F	RW	ACC1_DR2	AF	RW	ACC0_DR2	EF	RW
DBB10DR0	30	#	ACB00CR3	70	RW	RD10RI	B0	RW		F0	
DBB10DR1	31	W	ACB00CR0	71	RW	RD10SYN	B1	RW		F1	
DBB10DR2	32	RW	ACB00CR1	72	RW	RD10IS	B2	RW		F2	
DBB10CR0	33	#	ACB00CR2	73	RW	RD10LT0	B3	RW		F3	
DBB11DR0	34	#	ACB01CR3	74	RW	RD10LT1	B4	RW		F4	
DBB11DR1	35	W	ACB01CR0	75	RW	RD10RO0	B5	RW		F5	
DBB11DR2	36	RW	ACB01CR1	76	RW	RD10RO1	B6	RW		F6	
DBB11CR0	37	#	ACB01CR2	77	RW		B7		CPU_F	F7	RL
DCB12DR0	38	#	ACB02CR3	78	RW	RD11RI	B8	RW		F8	
DCB12DR1	39	W	ACB02CR0	79	RW	RD11SYN	B9	RW		F9	
DCB12DR2	3A	RW	ACB02CR1	7A	RW	RD11IS	BA	RW		FA	
DCB12CR0	3B	#	ACB02CR2	7B	RW	RD11LT0	BB	RW		FB	
DCB13DR0	3C	#	ACB03CR3	7C	RW	RD11LT1	BC	RW		FC	
DCB13DR1	3D	W	ACB03CR0	7D	RW	RD11RO0	BD	RW		FD	
DCB13DR2	3E	RW	ACB03CR1	7E	RW	RD11RO1	BE	RW	CPU_SCR1	FE	#
DCB13CR0	3F	#	ACB03CR2	7F	RW		BF		CPU_SCR0	FF	#

Blank fields are Reserved and should not be accessed.

Access is bit specific.

Table 10. Register Map Bank 1 Table: Configuration Space

Name	Addr (1,Hex)	Access	Name	Addr (1,Hex)	Access	Name	Addr (1,Hex)	Access	Name	Addr (1,Hex)	Access
PRT0DM0	00	RW	DBB20FN	40	RW	ASC10CR0	80	RW	RDI2RI	C0	RW
PRT0DM1	01	RW	DBB20IN	41	RW	ASC10CR1	81	RW	RDI2SYN	C1	RW
PRT0IC0	02	RW	DBB20OU	42	RW	ASC10CR2	82	RW	RDI2IS	C2	RW
PRT0IC1	03	RW		43		ASC10CR3	83	RW	RDI2LT0	C3	RW
PRT1DM0	04	RW	DBB21FN	44	RW	ASD11CR0	84	RW	RDI2LT1	C4	RW
PRT1DM1	05	RW	DBB21IN	45	RW	ASD11CR1	85	RW	RDI2RO0	C5	RW
PRT1IC0	06	RW	DBB21OU	46	RW	ASD11CR2	86	RW	RDI2RO1	C6	RW
PRT1IC1	07	RW		47		ASD11CR3	87	RW		C7	
PRT2DM0	08	RW	DCB22FN	48	RW	ASC12CR0	88	RW	RDI3RI	C8	RW
PRT2DM1	09	RW	DCB22IN	49	RW	ASC12CR1	89	RW	RDI3SYN	C9	RW
PRT2IC0	0A	RW	DCB22OU	4A	RW	ASC12CR2	8A	RW	RDI3IS	CA	RW
PRT2IC1	0B	RW		4B		ASC12CR3	8B	RW	RDI3LT0	CB	RW
PRT3DM0	0C	RW	DCB23FN	4C	RW	ASD13CR0	8C	RW	RDI3LT1	CC	RW
PRT3DM1	0D	RW	DCB23IN	4D	RW	ASD13CR1	8D	RW	RDI3RO0	CD	RW
PRT3IC0	0E	RW	DCB23OU	4E	RW	ASD13CR2	8E	RW	RDI3RO1	CE	RW
PRT3IC1	0F	RW		4F		ASD13CR3	8F	RW		CF	
PRT4DM0	10	RW	DBB30FN	50	RW	ASD20CR0	90	RW	GDI_O_IN	D0	RW
PRT4DM1	11	RW	DBB30IN	51	RW	ASD20CR1	91	RW	GDI_E_IN	D1	RW
PRT4IC0	12	RW	DBB30OU	52	RW	ASD20CR2	92	RW	GDI_O_OU	D2	RW
PRT4IC1	13	RW		53		ASD20CR3	93	RW	GDI_E_OU	D3	RW
PRT5DM0	14	RW	DBB31FN	54	RW	ASC21CR0	94	RW		D4	
PRT5DM1	15	RW	DBB31IN	55	RW	ASC21CR1	95	RW		D5	
PRT5IC0	16	RW	DBB31OU	56	RW	ASC21CR2	96	RW		D6	
PRT5IC1	17	RW		57		ASC21CR3	97	RW		D7	
PRT6DM0	18	RW	DCB32FN	58	RW	ASD22CR0	98	RW		D8	
PRT6DM1	19	RW	DCB32IN	59	RW	ASD22CR1	99	RW		D9	
PRT6IC0	1A	RW	DCB32OU	5A	RW	ASD22CR2	9A	RW		DA	
PRT6IC1	1B	RW		5B		ASD22CR3	9B	RW		DB	
PRT7DM0	1C	RW	DCB33FN	5C	RW	ASC23CR0	9C	RW		DC	
PRT7DM1	1D	RW	DCB33IN	5D	RW	ASC23CR1	9D	RW	OSC_GO_EN	DD	RW
PRT7IC0	1E	RW	DCB33OU	5E	RW	ASC23CR2	9E	RW	OSC_CR4	DE	RW
PRT7IC1	1F	RW		5F		ASC23CR3	9F	RW	OSC_CR3	DF	RW
DBB00FN	20	RW	CLK_CR0	60	RW		A0		OSC_CR0	E0	RW
DBB00IN	21	RW	CLK_CR1	61	RW		A1		OSC_CR1	E1	RW
DBB00OU	22	RW	ABF_CR0	62	RW		A2		OSC_CR2	E2	RW
	23		AMD_CR0	63	RW		A3		VLT_CR	E3	RW
DBB01FN	24	RW		64			A4		VLT_CMP	E4	R
DBB01IN	25	RW		65			A5			E5	
DBB01OU	26	RW	AMD_CR1	66	RW		A6			E6	
	27		ALT_CR0	67	RW		A7		DEC_CR2	E7	RW
DCB02FN	28	RW	ALT_CR1	68	RW		A8		IMO_TR	E8	W
DCB02IN	29	RW	CLK_CR2	69	RW		A9		ILO_TR	E9	W
DCB02OU	2A	RW		6A			AA		BDG_TR	EA	RW
	2B			6B			AB		ECO_TR	EB	W
DCB03FN	2C	RW	TMP_DR0	6C	RW		AC			EC	
DCB03IN	2D	RW	TMP_DR1	6D	RW		AD			ED	
DCB03OU	2E	RW	TMP_DR2	6E	RW		AE			EE	
	2F		TMP_DR3	6F	RW		AF			EF	
DBB10FN	30	RW	ACB00CR3	70	RW	RDI0RI	B0	RW		F0	
DBB10IN	31	RW	ACB00CR0	71	RW	RDI0SYN	B1	RW		F1	
DBB10OU	32	RW	ACB00CR1	72	RW	RDI0IS	B2	RW		F2	
	33		ACB00CR2	73	RW	RDI0LT0	B3	RW		F3	
DBB11FN	34	RW	ACB01CR3	74	RW	RDI0LT1	B4	RW		F4	
DBB11IN	35	RW	ACB01CR0	75	RW	RDI0RO0	B5	RW		F5	
DBB11OU	36	RW	ACB01CR1	76	RW	RDI0RO1	B6	RW		F6	
	37		ACB01CR2	77	RW		B7		CPU_F	F7	RL
DCB12FN	38	RW	ACB02CR3	78	RW	RDI1RI	B8	RW		F8	
DCB12IN	39	RW	ACB02CR0	79	RW	RDI1SYN	B9	RW		F9	
DCB12OU	3A	RW	ACB02CR1	7A	RW	RDI1IS	BA	RW	FLS_PR1	FA	RW
	3B		ACB02CR2	7B	RW	RDI1LT0	BB	RW		FB	
DCB13FN	3C	RW	ACB03CR3	7C	RW	RDI1LT1	BC	RW		FC	
DCB13IN	3D	RW	ACB03CR0	7D	RW	RDI1RO0	BD	RW		FD	
DCB13OU	3E	RW	ACB03CR1	7E	RW	RDI1RO1	BE	RW	CPU_SCR1	FE	#
	3F		ACB03CR2	7F	RW		BF		CPU_SCR0	FF	#

Blank fields are Reserved and should not be accessed.

Access is bit specific.

Electrical Specifications

This section presents the DC and AC electrical specifications of the CY8C29x66 PSoC device. For the most up-to-date electrical specifications, confirm that you have the most recent datasheet by going to the web at <http://www.cypress.com>.

Specifications are valid for $-40\text{ }^{\circ}\text{C} \leq T_A \leq 85\text{ }^{\circ}\text{C}$ and $T_J \leq 100\text{ }^{\circ}\text{C}$, except where noted. Refer to Table 29 for the electrical specifications on the internal main oscillator (IMO) using SLIMO mode.

Figure 10. Voltage versus CPU Frequency

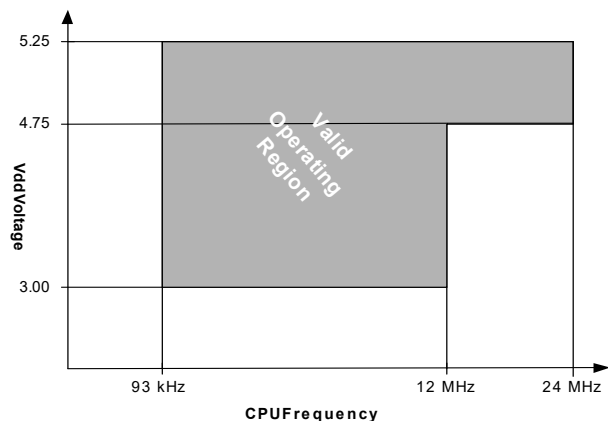
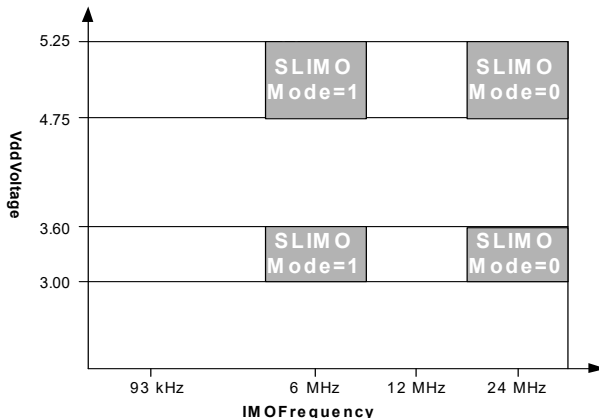


Figure 11. IMO Frequency Options



Absolute Maximum Ratings

Exceeding maximum ratings may shorten the useful life of the device. User guidelines are not tested.

Table 11. Absolute Maximum Ratings

Symbol	Description	Min	Typ	Max	Unit	Notes
T_{STG}	Storage temperature	-55	25	+100	$^{\circ}\text{C}$	Higher storage temperatures reduce data retention time. Recommended storage temperature is $+25\text{ }^{\circ}\text{C} \pm 25\text{ }^{\circ}\text{C}$. Extended duration storage temperatures higher than $65\text{ }^{\circ}\text{C}$ degrade reliability.
$T_{BAKETEMP}$	Bake temperature	-	125	See package label	$^{\circ}\text{C}$	
$T_{BAKETIME}$	Bake time	See package label	-	72	Hours	
T_A	Ambient temperature with power applied	-40	-	+85	$^{\circ}\text{C}$	
V_{DD}	Supply voltage on V_{DD} relative to V_{SS}	-0.5	-	+6.0	V	
V_{IO}	DC input voltage	$V_{SS} - 0.5$	-	$V_{DD} + 0.5$	V	
V_{IOZ}	DC voltage applied to tristate	$V_{SS} - 0.5$	-	$V_{DD} + 0.5$	V	
I_{MIO}	Maximum current into any port pin	-25	-	+50	mA	
I_{MAIO}	Maximum current into any port pin configured as analog driver	-50	-	+50	mA	
ESD	Electrostatic discharge voltage	2000	-	-	V	Human body model ESD.
LU	Latch-up current	-	-	200	mA	

Operating Temperature

Table 12. Operating Temperature

Symbol	Description	Min	Typ	Max	Unit	Notes
T_A	Ambient temperature	-40	-	+85	°C	
T_J	Junction temperature	-40	-	+100	°C	The temperature rise from ambient to junction is package specific. See “Thermal Impedances” on page 53. You must limit the power consumption to comply with this requirement.

DC Electrical Characteristics

DC Chip-Level Specifications

Table 13 lists guaranteed maximum and minimum specifications for the voltage and temperature ranges: 4.75 V to 5.25 V and $-40\text{ °C} \leq T_A \leq 85\text{ °C}$, or 3.0 V to 3.6 V and $-40\text{ °C} \leq T_A \leq 85\text{ °C}$, respectively. Typical parameters apply to 5 V and 3.3 V at 25 °C and are for design guidance only.

Table 13. DC Chip-Level Specifications

Symbol	Description	Min	Typ	Max	Units	Notes
$V_{DD}^{[14]}$	Supply voltage	3.00	-	5.25	V	See DC POR, SMP, and LVD Specifications on page 38.
I_{DD}	Supply current	-	8	14	mA	Conditions are 5.0 V, $T_A = 25\text{ °C}$, CPU = 3 MHz, SYSCLK doubler disabled, VC1 = 1.5 MHz, VC2 = 93.75 kHz, VC3 = 0.366 kHz.
I_{DD3}	Supply current	-	5	9	mA	Conditions are $V_{DD} = 3.3\text{ V}$, $T_A = 25\text{ °C}$, CPU = 3 MHz, SYSCLK doubler disabled, VC1 = 1.5 MHz, VC2 = 93.75 kHz, VC3 = 0.366 kHz.
I_{DDP}	Supply current when IMO = 6 MHz using SLIMO mode.	-	2	3	mA	Conditions are $V_{DD} = 3.3\text{ V}$, $T_A = 25\text{ °C}$, CPU = 0.75 MHz, SYSCLK doubler disabled, VC1 = 0.375 MHz, VC2 = 23.44 kHz, VC3 = 0.09 kHz.
I_{SB}	Sleep (Mode) current with POR, LVD, sleep timer, WDT, and internal slow oscillator active.	-	3	10	μA	Conditions are with internal slow speed oscillator, $V_{DD} = 3.3\text{ V}$, $-40\text{ °C} \leq T_A \leq 55\text{ °C}$.
I_{SBH}	Sleep (Mode) current with POR, LVD, sleep timer, WDT, and internal slow oscillator active.	-	4	25	μA	Conditions are with internal slow speed oscillator, $V_{DD} = 3.3\text{ V}$, $55\text{ °C} < T_A \leq 85\text{ °C}$.
I_{SBXTL}	Sleep (Mode) current with POR, LVD, sleep timer, WDT, internal slow oscillator, and 32 kHz crystal oscillator active.	-	4	12	μA	Conditions are with properly loaded, 1 μW max, 32.768 kHz crystal. $V_{DD} = 3.3\text{ V}$, $-40\text{ °C} \leq T_A \leq 55\text{ °C}$.
I_{SBXTLH}	Sleep (Mode) current with POR, LVD, sleep timer, WDT, and 32 kHz crystal oscillator active.	-	5	27	μA	Conditions are with properly loaded, 1 μW max, 32.768 kHz crystal. $V_{DD} = 3.3\text{ V}$, $55\text{ °C} < T_A \leq 85\text{ °C}$.
V_{REF}	Reference voltage (Bandgap)	1.28	1.3	1.32	V	Trimmed for appropriate V_{DD} .

Note

14. Errata: When V_{DD} of the device is pulled below ground just before power-on; the first read from each 8K Flash bank may be corrupted apart from flash bank 0. This can be solved by doing a dummy read from each flash bank prior to use of the Flash banks. For more information, see [Errata on page 63](#).

DC GPIO Specifications

Table 14 lists guaranteed maximum and minimum specifications for the voltage and temperature ranges: 4.75 V to 5.25 V and $-40\text{ }^{\circ}\text{C} \leq T_A \leq 85\text{ }^{\circ}\text{C}$, or 3.0 V to 3.6 V and $-40\text{ }^{\circ}\text{C} \leq T_A \leq 85\text{ }^{\circ}\text{C}$, respectively. Typical parameters apply to 5 V and 3.3 V at 25 °C and are for design guidance only.

Table 14. DC GPIO Specifications

Symbol	Description	Min	Typ	Max	Unit	Notes
R _{PU}	Pull-up resistor	4	5.6	8	kΩ	
R _{PD}	Pull-down resistor	4	5.6	8	kΩ	
V _{OH}	High output level	V _{DD} - 1.0	–	–	V	I _{OH} = 10 mA, V _{DD} = 4.75 to 5.25 V (8 total loads, 4 on even port pins (for example, P0[2], P1[4]), 4 on odd port pins (for example, P0[3], P1[5])). 80 mA maximum combined I _{OH} budget.
V _{OL}	Low output level	–	–	0.75	V	I _{OL} = 25 mA, V _{DD} = 4.75 to 5.25 V (8 total loads, 4 on even port pins (for example, P0[2], P1[4]), 4 on odd port pins (for example, P0[3], P1[5])). 150 mA maximum combined I _{OL} budget.
I _{OH}	High level source current	10	–	–	mA	V _{OH} = V _{DD} - 1.0 V, see the limitations of the total current in the note for V _{OH}
I _{OL}	Low level sink current	25	–	–	mA	V _{OL} = 0.75 V, see the limitations of the total current in the note for V _{OL}
V _{IL}	Input low level	–	–	0.8	V	V _{DD} = 3.0 to 5.25
V _{IH}	Input high level	2.1	–	–	V	V _{DD} = 3.0 to 5.25
V _H	Input hysteresis	–	60	–	mV	
I _{IL}	Input leakage (absolute value)	–	1	–	nA	Gross tested to 1 μA.
C _{IN}	Capacitive load on pins as input	–	3.5	10	pF	Package and pin dependent. Temp = 25 °C.
C _{OUT}	Capacitive load on pins as output	–	3.5	10	pF	Package and pin dependent. Temp = 25 °C.

DC Operational Amplifier Specifications

Table 15 and Table 16 list guaranteed maximum and minimum specifications for the voltage and temperature ranges: 4.75 V to 5.25 V and $-40\text{ }^{\circ}\text{C} \leq T_A \leq 85\text{ }^{\circ}\text{C}$, or 3.0 V to 3.6 V and $-40\text{ }^{\circ}\text{C} \leq T_A \leq 85\text{ }^{\circ}\text{C}$, respectively. Typical parameters apply to 5 V and 3.3 V at 25 °C and are for design guidance only.

The Operational Amplifier is a component of both the Analog Continuous Time PSoC blocks and the Analog Switched Cap PSoC blocks. The guaranteed specifications are measured in the Analog Continuous Time PSoC block. Typical parameters apply to 5 V at 25 °C and are for design guidance only.

Table 15. 5-V DC Operational Amplifier Specifications

Symbol	Description	Min	Typ	Max	Unit	Notes
V _{OSOA}	Input offset voltage (absolute value)					
	Power = Low, Opamp bias = Low	–	1.6	10	mV	
	Power = Low, Opamp bias = High	–	1.6	10	mV	
	Power = Medium, Opamp bias = Low	–	1.6	10	mV	
	Power = Medium, Opamp bias = High	–	1.6	10	mV	
	Power = High, Opamp bias = Low	–	1.6	10	mV	
	Power = High, Opamp bias = High	–	1.6	10	mV	
TCV _{OSOA}	Average input offset voltage drift	–	4	23	μV/°C	
I _{EBOA}	Input leakage current (port 0 analog pins)	–	200	–	pA	Gross tested to 1 μA
C _{INOA}	Input capacitance (port 0 analog pins)	–	4.5	9.5	pF	Package and pin dependent. Temp = 25 °C
V _{CMOA}	Common mode voltage range (All cases, except Power = High, Opamp bias = High)	0	–	V _{DD}	V	The common-mode input voltage range is measured through an analog output buffer.
	Common mode voltage range (Power = High, Opamp bias = High)	0.5	–	V _{DD} – 0.5	V	The specification includes the limitations imposed by the characteristics of the analog output buffer.
CMR-ROA	Common mode rejection ratio	60	–	–	dB	
GOLOA	Open loop gain	80	–	–	dB	
VOHIG-HOA	High output voltage swing (internal signals)	V _{DD} – 0.01	–	–	V	
VOLOWO	Low output voltage swing (internal signals)	–	–	0.1	V	
ISOA	Supply current (including associated AGND buffer)					
	Power = Low, Opamp bias = Low	–	150	200	μA	
	Power = Low, Opamp bias = High	–	300	400	μA	
	Power = Medium, Opamp bias = Low	–	600	800	μA	
	Power = Medium, Opamp bias = High	–	1200	1600	μA	
	Power = High, Opamp bias = Low	–	2400	3200	μA	
	Power = High, Opamp bias = High	–	4600	6400	μA	
PSR-ROA	Supply voltage rejection ratio	67	80	–	dB	V _{SS} ≤ V _{IN} ≤ (V _{DD} – 2.25) or (V _{DD} – 1.25 V) ≤ V _{IN} ≤ V _{DD} .

Table 16. 3.3-V DC Operational Amplifier Specifications

Symbol	Description	Min	Typ	Max	Unit	Notes
V _{OSOA}	Input offset voltage (absolute value)	–	1.4	10	mV	Power = High, Opamp bias = High setting is not allowed for 3.3 V V _{DD} operation.
	Power = Low, Opamp bias = Low	–	1.4	10	mV	
	Power = Low, Opamp bias = High	–	1.4	10	mV	
	Power = Medium, Opamp bias = Low	–	1.4	10	mV	
	Power = Medium, Opamp bias = High	–	1.4	10	mV	
	Power = High, Opamp bias = Low	–	1.4	10	mV	
Power = High, Opamp bias = High	–	–	–	–	mV	
TCV _{OSOA}	Average input offset voltage drift	–	7	40	μV/°C	
I _{EBOA}	Input leakage current (port 0 analog pins)	–	200	–	pA	Gross tested to 1 μA.
C _{INOA}	Input capacitance (port 0 analog pins)	–	4.5	9.5	pF	Package and pin dependent. Temp = 25 °C
V _{CMOA}	Common mode voltage range	0	–	V _{DD}	V	The common-mode input voltage range is measured through an analog output buffer. The specification includes the limitations imposed by the characteristics of the analog output buffer.
CMRR _{OA}	Common mode rejection ratio	60	–	–	dB	
G _{OLOA}	Open loop gain	80	–	–	dB	
V _{OHIGHOA}	High output voltage swing (internal signals)	V _{DD} – 0.01	–	–	V	
V _{OLOWOA}	Low output voltage swing (internal signals)	–	–	0.01	V	
I _{SOA}	Supply current (including associated AGND buffer)	–	–	–	–	Power = High, Opamp bias = High setting is not allowed for 3.3 V V _{DD} operation.
	Power = Low, Opamp bias = Low	–	150	200	μA	
	Power = Low, Opamp bias = High	–	300	400	μA	
	Power = Medium, Opamp bias = Low	–	600	800	μA	
	Power = Medium, Opamp bias = High	–	1200	1600	μA	
	Power = High, Opamp bias = Low	–	2400	3200	μA	
Power = High, Opamp bias = High	–	–	–	–	μA	
PSRR _{OA}	Supply voltage rejection ratio	54	80	–	dB	V _{SS} ≤ V _{IN} ≤ (V _{DD} – 2.25) or (V _{DD} – 1.25 V) ≤ V _{IN} ≤ V _{DD}

DC Low-Power Comparator Specifications

Table 17 lists guaranteed maximum and minimum specifications for the voltage and temperature ranges: 4.75 V to 5.25 V and –40 °C ≤ T_A ≤ 85 °C, 3.0 V to 3.6 V and –40 °C ≤ T_A ≤ 85 °C, or 2.4 V to 3.0 V and –40 °C ≤ T_A ≤ 85 °C, respectively. Typical parameters apply to 5 V at 25 °C and are for design guidance only.

Table 17. DC Low-Power Comparator Specifications

Symbol	Description	Min	Typ	Max	Unit
V _{REFLPC}	Low-power comparator (LPC) reference voltage range	0.2	–	V _{DD} – 1	V
I _{SLPC}	LPC supply current	–	10	40	μA
V _{OSSLPC}	LPC voltage offset	–	2.5	30	mV

DC Analog Output Buffer Specifications

Table 18 and Table 19 list guaranteed maximum and minimum specifications for the voltage and temperature ranges: 4.75 V to 5.25 V and $-40\text{ }^{\circ}\text{C} \leq T_A \leq 85\text{ }^{\circ}\text{C}$, or 3.0 V to 3.6 V and $-40\text{ }^{\circ}\text{C} \leq T_A \leq 85\text{ }^{\circ}\text{C}$, respectively. Typical parameters apply to 5 V and 3.3 V at 25 °C and are for design guidance only.

Table 18. 5-V DC Analog Output Buffer Specifications

Symbol	Description	Min	Typ	Max	Unit	Notes
V_{OSOB}	Input offset voltage (absolute value)					
	Power = Low, Opamp bias = Low	–	3.2	18	mV	
	Power = Low, Opamp bias = High	–	3.2	18	mV	
	Power = High, Opamp bias = Low	–	3.2	18	mV	
	Power = High, Opamp bias = High	–	3.2	18	mV	
TCV_{OSOB}	Average input offset voltage drift	–	5.5	26	$\mu\text{V}/^{\circ}\text{C}$	
V_{CMOB}	Common-mode input voltage range	0.5	–	$V_{DD} - 1.0$	V	
R_{OUTOB}	Output resistance					
	Power = Low	–	–	1	Ω	
	Power = High	–	–	1	Ω	
$V_{OHIGHOB}$	High output voltage swing (Load = 32 ohms to $V_{DD}/2$)					
	Power = Low	$0.5 \times V_{DD} + 1.3$	–	–	V	
	Power = High	$0.5 \times V_{DD} + 1.3$	–	–	V	
V_{OLOWOB}	Low output voltage swing (Load = 32 ohms to $V_{DD}/2$)					
	Power = Low	–	–	$0.5 \times V_{DD} - 1.3$	V	
	Power = High	–	–	$0.5 \times V_{DD} - 1.3$	V	
I_{SOB}	Supply current including bias cell (no load)					
	Power = Low	–	1.1	2	mA	
	Power = High	–	2.6	5	mA	
$PSRR_{OB}$	Supply voltage rejection ratio	40	64		dB	
C_L	Load capacitance	–	–	200	pF	This specification applies to the external circuit driven by the analog output buffer.

Table 19. 3.3-V DC Analog Output Buffer Specifications

Symbol	Description	Min	Typ	Max	Unit	Notes
V _{OSOB}	Input offset voltage (absolute value)					High power setting is not recommended.
	Power = Low, Opamp bias = Low	–	3.2	20	mV	
	Power = Low, Opamp bias = High	–	3.2	20	mV	
	Power = High, Opamp bias = Low	–	6	25	mV	
TCV _{OSOB}	Average input offset voltage drift					High power setting is not recommended.
	Power = Low, Opamp bias = Low	–	8	32	μV/°C	
	Power = Low, Opamp bias = High	–	8	32	μV/°C	
	Power = High, Opamp bias = Low	–	12	41	μV/°C	
V _{CMOB}	Common-mode input voltage range	0.5	–	V _{DD} – 1.0	V	
R _{OUTOB}	Output resistance	Power = Low	–	10	Ω	
		Power = High	–	10	Ω	
V _{OHIGHOB}	High output voltage swing (Load = 32 ohms to V _{DD} /2)	Power = Low	0.5 × V _{DD} + 1.0	–	V	
		Power = High	0.5 × V _{DD} + 1.0	–	V	
V _{OLOWOB}	Low output voltage swing (Load = 32 ohms to V _{DD} /2)	Power = Low	–	0.5 × V _{DD} – 1.0	V	
		Power = High	–	0.5 × V _{DD} – 1.0	V	
I _{SOB}	Supply current including bias cell (no load)	Power = Low	–	0.8	mA	
		Power = High	–	2.0	5	mA
PSRR _{OB}	Supply voltage rejection ratio	60	64	–	dB	
C _L	Load capacitance	–	–	200	pF	This specification applies to the external circuit driven by the analog output buffer.

DC Switch Mode Pump Specifications

Table 20 lists guaranteed maximum and minimum specifications for the voltage and temperature ranges: 4.75 V to 5.25 V and $-40\text{ }^{\circ}\text{C} \leq T_A \leq 85\text{ }^{\circ}\text{C}$, or 3.0 V to 3.6 V and $-40\text{ }^{\circ}\text{C} \leq T_A \leq 85\text{ }^{\circ}\text{C}$, respectively. Typical parameters apply to 5 V and 3.3 V at 25 °C and are for design guidance only.

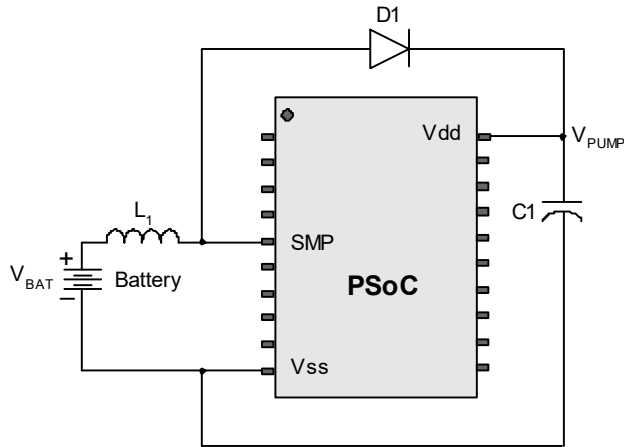
Table 20. DC Switch Mode Pump (SMP) Specifications

Symbol	Description	Min	Typ	Max	Unit	Notes
$V_{\text{PUMP } 5\text{ V}}$	5 V output voltage at V_{DD} from pump	4.75	5.0	5.25	V	Configured as in Note 15. Average, neglecting ripple. SMP trip voltage is set to 5.0 V
$V_{\text{PUMP } 3\text{ V}}$	3 V output voltage at V_{DD} from pump	3.00	3.25	3.60	V	Configured as in Note 15. Average, neglecting ripple. SMP trip voltage is set to 3.25 V
I_{PUMP}	Available output current $V_{\text{BAT}} = 1.5\text{ V}$, $V_{\text{PUMP}} = 3.25\text{ V}$ $V_{\text{BAT}} = 1.8\text{ V}$, $V_{\text{PUMP}} = 5.0\text{ V}$	8 5	– –	– –	mA mA	Configured as in Note 15 SMP trip voltage is set to 3.25 V SMP trip voltage is set to 5.0 V
$V_{\text{BAT}5\text{ V}}$	Input voltage range from battery	1.8	–	5.0	V	Configured as in Note 15. SMP trip voltage is set to 5.0 V
$V_{\text{BAT}3\text{ V}}$	Input voltage range from battery	1.0	–	3.3	V	Configured as in Note 15. SMP trip voltage is set to 3.25 V
V_{BATSTART}	Minimum input voltage from battery to start pump	1.2	–	–	V	Configured as in Note 15. $15.0\text{ }^{\circ}\text{C} \leq T_A \leq 100$. 1.25 V at $T_A = -40\text{ }^{\circ}\text{C}$
$\Delta V_{\text{PUMP_Line}}$	Line regulation (over V_{BAT} range)	–	5	–	% V_{O}	Configured as in Note 15. V_{O} is the “ V_{DD} Value for PUMP Trip” specified by the VM[2:0] setting in the DC POR and LVD Specification, Table 26, “DC POR, SMP, and LVD Specifications,” on page 38
$\Delta V_{\text{PUMP_Load}}$	Load regulation	–	5	–	% V_{O}	Configured as in Note 15. V_{O} is the “ V_{DD} Value for PUMP Trip” specified by the VM[2:0] setting in Table 26, “DC POR, SMP, and LVD Specifications,” on page 38
$\Delta V_{\text{PUMP_Ripple}}$	Output voltage ripple (depends on capacitor/load)	–	100	–	mVpp	Configured as in Note 15. Load is 5 mA
E_3	Efficiency	35	50	–	%	Configured as in Note 15. Load is 5 mA. SMP trip voltage is set to 3.25 V
F_{PUMP}	Switching frequency	–	1.4	–	MHz	
DC_{PUMP}	Switching duty cycle	–	50	–	%	

Note

15. $L_1 = 2\text{ }\mu\text{H}$ inductor, $C_1 = 10\text{ }\mu\text{F}$ capacitor, $D_1 =$ Schottky diode. See Figure 12.

Figure 12. Basic Switch Mode Pump Circuit



DC Analog Reference Specifications

The following tables list guaranteed maximum and minimum specifications for the voltage and temperature ranges: 4.75 V to 5.25 V and $-40\text{ }^{\circ}\text{C} \leq T_A \leq 85\text{ }^{\circ}\text{C}$, or 3.0 V to 3.6 V and $-40\text{ }^{\circ}\text{C} \leq T_A \leq 85\text{ }^{\circ}\text{C}$, respectively. Typical parameters apply to 5 V and 3.3 V at 25 $^{\circ}\text{C}$ and are for design guidance only.

The guaranteed specifications for RefHI and RefLO are measured through the analog continuous time PSoC blocks. The power levels for RefHI and RefLO refer to the analog reference control register. AGND is measured at P2[4] in AGND bypass mode. Each analog continuous time PSoC block adds a maximum of 10 mV additional offset error to guaranteed AGND specifications from the local AGND buffer. Reference control power can be set to medium or high unless otherwise noted.

Note Avoid using P2[4] for digital signaling when using an analog resource that depends on the analog reference. Some coupling of the digital signal may appear on the AGND.

Table 21. 5-V DC Analog Reference Specifications

Reference ARF_CR[5:3]	Reference Power Settings	Symbol	Reference	Description	Min	Typ	Max	Unit
0b000	RefPower = High Opamp bias = High	V _{REFHI}	Ref High	V _{DD} /2 + Bandgap	V _{DD} /2 + 1.228	V _{DD} /2 + 1.290	V _{DD} /2 + 1.352	V
		V _{AGND}	AGND	V _{DD} /2	V _{DD} /2 - 0.078	V _{DD} /2 - 0.007	V _{DD} /2 + 0.063	V
		V _{REFLO}	Ref Low	V _{DD} /2 - Bandgap	V _{DD} /2 - 1.336	V _{DD} /2 - 1.295	V _{DD} /2 - 1.250	V
	RefPower = High Opamp bias = Low	V _{REFHI}	Ref High	V _{DD} /2 + Bandgap	V _{DD} /2 + 1.224	V _{DD} /2 + 1.293	V _{DD} /2 + 1.356	V
		V _{AGND}	AGND	V _{DD} /2	V _{DD} /2 - 0.056	V _{DD} /2 - 0.005	V _{DD} /2 + 0.043	V
		V _{REFLO}	Ref Low	V _{DD} /2 - Bandgap	V _{DD} /2 - 1.338	V _{DD} /2 - 1.298	V _{DD} /2 - 1.255	V
	RefPower = Med Opamp bias = High	V _{REFHI}	Ref High	V _{DD} /2 + Bandgap	V _{DD} /2 + 1.226	V _{DD} /2 + 1.293	V _{DD} /2 + 1.356	V
		V _{AGND}	AGND	V _{DD} /2	V _{DD} /2 - 0.057	V _{DD} /2 - 0.006	V _{DD} /2 + 0.044	V
		V _{REFLO}	Ref Low	V _{DD} /2 - Bandgap	V _{DD} /2 - 1.337	V _{DD} /2 - 1.298	V _{DD} /2 - 1.256	V
	RefPower = Med Opamp bias = Low	V _{REFHI}	Ref High	V _{DD} /2 + Bandgap	V _{DD} /2 + 1.226	V _{DD} /2 + 1.294	V _{DD} /2 + 1.359	V
		V _{AGND}	AGND	V _{DD} /2	V _{DD} /2 - 0.047	V _{DD} /2 - 0.004	V _{DD} /2 + 0.035	V
		V _{REFLO}	Ref Low	V _{DD} /2 - Bandgap	V _{DD} /2 - 1.338	V _{DD} /2 - 1.299	V _{DD} /2 - 1.258	V

Table 21. 5-V DC Analog Reference Specifications (continued)

Reference ARF_CR[5:3]	Reference Power Settings	Symbol	Reference	Description	Min	Typ	Max	Unit
0b001	RefPower = High Opamp bias = High	V _{REFHI}	Ref High	P2[4] + P2[6] (P2[4] = V _{DD} /2, P2[6] = 1.3 V)	P2[4] + P2[6] – 0.085	P2[4] + P2[6] – 0.016	P2[4] + P2[6] + 0.044	V
		V _{AGND}	AGND	P2[4]	P2[4]	P2[4]	P2[4]	–
		V _{REFLO}	Ref Low	P2[4] – P2[6] (P2[4] = V _{DD} /2, P2[6] = 1.3 V)	P2[4] – P2[6] – 0.022	P2[4] – P2[6] + 0.010	P2[4] – P2[6] + 0.055	V
	RefPower = High Opamp bias = Low	V _{REFHI}	Ref High	P2[4] + P2[6] (P2[4] = V _{DD} /2, P2[6] = 1.3 V)	P2[4] + P2[6] – 0.077	P2[4] + P2[6] – 0.010	P2[4] + P2[6] + 0.051	V
		V _{AGND}	AGND	P2[4]	P2[4]	P2[4]	P2[4]	–
		V _{REFLO}	Ref Low	P2[4] – P2[6] (P2[4] = V _{DD} /2, P2[6] = 1.3 V)	P2[4] – P2[6] – 0.022	P2[4] – P2[6] + 0.005	P2[4] – P2[6] + 0.039	V
	RefPower = Med Opamp bias = High	V _{REFHI}	Ref High	P2[4] + P2[6] (P2[4] = V _{DD} /2, P2[6] = 1.3 V)	P2[4] + P2[6] – 0.070	P2[4] + P2[6] – 0.010	P2[4] + P2[6] + 0.050	V
		V _{AGND}	AGND	P2[4]	P2[4]	P2[4]	P2[4]	–
		V _{REFLO}	Ref Low	P2[4] – P2[6] (P2[4] = V _{DD} /2, P2[6] = 1.3 V)	P2[4] – P2[6] – 0.022	P2[4] – P2[6] + 0.005	P2[4] – P2[6] + 0.039	V
	RefPower = Med Opamp bias = Low	V _{REFHI}	Ref High	P2[4] + P2[6] (P2[4] = V _{DD} /2, P2[6] = 1.3 V)	P2[4] + P2[6] – 0.070	P2[4] + P2[6] – 0.007	P2[4] + P2[6] + 0.054	V
		V _{AGND}	AGND	P2[4]	P2[4]	P2[4]	P2[4]	–
		V _{REFLO}	Ref Low	P2[4] – P2[6] (P2[4] = V _{DD} /2, P2[6] = 1.3 V)	P2[4] – P2[6] – 0.022	P2[4] – P2[6] + 0.002	P2[4] – P2[6] + 0.032	V
0b010	RefPower = High Opamp bias = High	V _{REFHI}	Ref High	V _{DD}	V _{DD} – 0.037	V _{DD} – 0.009	V _{DD}	V
		V _{AGND}	AGND	V _{DD} /2	V _{DD} /2 – 0.061	V _{DD} /2 – 0.006	V _{DD} /2 + 0.047	V
		V _{REFLO}	Ref Low	V _{SS}	V _{SS}	V _{SS} + 0.007	V _{SS} + 0.028	V
	RefPower = High Opamp bias = Low	V _{REFHI}	Ref High	V _{DD}	V _{DD} – 0.039	V _{DD} – 0.006	V _{DD}	V
		V _{AGND}	AGND	V _{DD} /2	V _{DD} /2 – 0.049	V _{DD} /2 – 0.005	V _{DD} /2 + 0.036	V
		V _{REFLO}	Ref Low	V _{SS}	V _{SS}	V _{SS} + 0.005	V _{SS} + 0.019	V
	RefPower = Med Opamp bias = High	V _{REFHI}	Ref High	V _{DD}	V _{DD} – 0.037	V _{DD} – 0.007	V _{DD}	V
		V _{AGND}	AGND	V _{DD} /2	V _{DD} /2 – 0.054	V _{DD} /2 – 0.005	V _{DD} /2 + 0.041	V
		V _{REFLO}	Ref Low	V _{SS}	V _{SS}	V _{SS} + 0.006	V _{SS} + 0.024	V
	RefPower = Med Opamp bias = Low	V _{REFHI}	Ref High	V _{DD}	V _{DD} – 0.042	V _{DD} – 0.005	V _{DD}	V
		V _{AGND}	AGND	V _{DD} /2	V _{DD} /2 – 0.046	V _{DD} /2 – 0.004	V _{DD} /2 + 0.034	V
		V _{REFLO}	Ref Low	V _{SS}	V _{SS}	V _{SS} + 0.004	V _{SS} + 0.017	V

Table 21. 5-V DC Analog Reference Specifications (continued)

Reference ARF_CR[5:3]	Reference Power Settings	Symbol	Reference	Description	Min	Typ	Max	Unit
0b011	RefPower = High Opamp bias = High	V _{REFHI}	Ref High	3 × Bandgap	3.788	3.891	3.986	V
		V _{AGND}	AGND	2 × Bandgap	2.500	2.604	2.699	V
		V _{REFLO}	Ref Low	Bandgap	1.257	1.306	1.359	V
	RefPower = High Opamp bias = Low	V _{REFHI}	Ref High	3 × Bandgap	3.792	3.893	3.982	V
		V _{AGND}	AGND	2 × Bandgap	2.518	2.602	2.692	V
		V _{REFLO}	Ref Low	Bandgap	1.256	1.302	1.354	V
	RefPower = Med Opamp bias = High	V _{REFHI}	Ref High	3 × Bandgap	3.795	3.894	3.993	V
		V _{AGND}	AGND	2 × Bandgap	2.516	2.603	2.698	V
		V _{REFLO}	Ref Low	Bandgap	1.256	1.303	1.353	V
	RefPower = Med Opamp bias = Low	V _{REFHI}	Ref High	3 × Bandgap	3.792	3.895	3.986	V
		V _{AGND}	AGND	2 × Bandgap	2.522	2.602	2.685	V
		V _{REFLO}	Ref Low	Bandgap	1.255	1.301	1.350	V
0b100	RefPower = High Opamp bias = High	V _{REFHI}	Ref High	2 × Bandgap + P2[6] (P2[6] = 1.3 V)	2.495 + P2[6]	2.586 + P2[6]	2.657 + P2[6]	V
		V _{AGND}	AGND	2 × Bandgap	2.502	2.604	2.719	V
		V _{REFLO}	Ref Low	2 × Bandgap – P2[6] (P2[6] = 1.3 V)	2.531 – P2[6]	2.611 – P2[6]	2.681 – P2[6]	V
	RefPower = High Opamp bias = Low	V _{REFHI}	Ref High	2 × Bandgap + P2[6] (P2[6] = 1.3 V)	2.500 + P2[6]	2.591 + P2[6]	2.662 + P2[6]	V
		V _{AGND}	AGND	2 × Bandgap	2.519	2.602	2.693	V
		V _{REFLO}	Ref Low	2 × Bandgap – P2[6] (P2[6] = 1.3 V)	2.530 – P2[6]	2.605 – P2[6]	2.666 – P2[6]	V
	RefPower = Med Opamp bias = High	V _{REFHI}	Ref High	2 × Bandgap + P2[6] (P2[6] = 1.3 V)	2.503 + P2[6]	2.592 + P2[6]	2.662 + P2[6]	V
		V _{AGND}	AGND	2 × Bandgap	2.517	2.603	2.698	V
		V _{REFLO}	Ref Low	2 × Bandgap – P2[6] (P2[6] = 1.3 V)	2.529 – P2[6]	2.606 – P2[6]	2.665 – P2[6]	V
	RefPower = Med Opamp bias = Low	V _{REFHI}	Ref High	2 × Bandgap + P2[6] (P2[6] = 1.3 V)	2.505 + P2[6]	2.594 + P2[6]	2.665 + P2[6]	V
		V _{AGND}	AGND	2 × Bandgap	2.525	2.602	2.685	V
		V _{REFLO}	Ref Low	2 × Bandgap – P2[6] (P2[6] = 1.3 V)	2.528 – P2[6]	2.603 – P2[6]	2.661 – P2[6]	V

Table 21. 5-V DC Analog Reference Specifications (continued)

Reference ARF_CR[5:3]	Reference Power Settings	Symbol	Reference	Description	Min	Typ	Max	Unit
0b101	RefPower = High Opamp bias = High	V _{REFHI}	Ref High	P2[4] + Bandgap (P2[4] = V _{DD} /2)	P2[4] + 1.222	P2[4] + 1.290	P2[4] + 1.343	V
		V _{AGND}	AGND	P2[4]	P2[4]	P2[4]	P2[4]	–
		V _{REFLO}	Ref Low	P2[4] – Bandgap (P2[4] = V _{DD} /2)	P2[4] – 1.331	P2[4] – 1.295	P2[4] – 1.254	V
	RefPower = High Opamp bias = Low	V _{REFHI}	Ref High	P2[4] + Bandgap (P2[4] = V _{DD} /2)	P2[4] + 1.226	P2[4] + 1.293	P2[4] + 1.347	V
		V _{AGND}	AGND	P2[4]	P2[4]	P2[4]	P2[4]	–
		V _{REFLO}	Ref Low	P2[4] – Bandgap (P2[4] = V _{DD} /2)	P2[4] – 1.331	P2[4] – 1.298	P2[4] – 1.259	V
	RefPower = Med Opamp bias = High	V _{REFHI}	Ref High	P2[4] + Bandgap (P2[4] = V _{DD} /2)	P2[4] + 1.227	P2[4] + 1.294	P2[4] + 1.347	V
		V _{AGND}	AGND	P2[4]	P2[4]	P2[4]	P2[4]	–
		V _{REFLO}	Ref Low	P2[4] – Bandgap (P2[4] = V _{DD} /2)	P2[4] – 1.331	P2[4] – 1.298	P2[4] – 1.259	V
	RefPower = Med Opamp bias = Low	V _{REFHI}	Ref High	P2[4] + Bandgap (P2[4] = V _{DD} /2)	P2[4] + 1.228	P2[4] + 1.295	P2[4] + 1.349	V
		V _{AGND}	AGND	P2[4]	P2[4]	P2[4]	P2[4]	–
		V _{REFLO}	Ref Low	P2[4] – Bandgap (P2[4] = V _{DD} /2)	P2[4] – 1.332	P2[4] – 1.299	P2[4] – 1.260	V
0b110	RefPower = High Opamp bias = High	V _{REFHI}	Ref High	2 × Bandgap	2.535	2.598	2.644	V
		V _{AGND}	AGND	Bandgap	1.227	1.305	1.398	V
		V _{REFLO}	Ref Low	V _{SS}	V _{SS}	V _{SS} + 0.009	V _{SS} + 0.038	V
	RefPower = High Opamp bias = Low	V _{REFHI}	Ref High	2 × Bandgap	2.530	2.598	2.643	V
		V _{AGND}	AGND	Bandgap	1.244	1.303	1.370	V
		V _{REFLO}	Ref Low	V _{SS}	V _{SS}	V _{SS} + 0.005	V _{SS} + 0.024	V
	RefPower = Med Opamp bias = High	V _{REFHI}	Ref High	2 × Bandgap	2.532	2.598	2.644	V
		V _{AGND}	AGND	Bandgap	1.239	1.304	1.380	V
		V _{REFLO}	Ref Low	V _{SS}	V _{SS}	V _{SS} + 0.006	V _{SS} + 0.026	V
	RefPower = Med Opamp bias = Low	V _{REFHI}	Ref High	2 × Bandgap	2.528	2.598	2.645	V
		V _{AGND}	AGND	Bandgap	1.249	1.302	1.362	V
		V _{REFLO}	Ref Low	V _{SS}	V _{SS}	V _{SS} + 0.004	V _{SS} + 0.018	V
0b111	RefPower = High Opamp bias = High	V _{REFHI}	Ref High	3.2 × Bandgap	4.041	4.155	4.234	V
		V _{AGND}	AGND	1.6 × Bandgap	1.998	2.083	2.183	V
		V _{REFLO}	Ref Low	V _{SS}	V _{SS}	V _{SS} + 0.010	V _{SS} + 0.038	V
	RefPower = High Opamp bias = Low	V _{REFHI}	Ref High	3.2 × Bandgap	4.047	4.153	4.236	V
		V _{AGND}	AGND	1.6 × Bandgap	2.012	2.082	2.157	V
		V _{REFLO}	Ref Low	V _{SS}	V _{SS}	V _{SS} + 0.006	V _{SS} + 0.024	V
	RefPower = Med Opamp bias = High	V _{REFHI}	Ref High	3.2 × Bandgap	4.049	4.154	4.238	V
		V _{AGND}	AGND	1.6 × Bandgap	2.008	2.083	2.165	V
		V _{REFLO}	Ref Low	V _{SS}	V _{SS}	V _{SS} + 0.006	V _{SS} + 0.026	V
	RefPower = Med Opamp bias = Low	V _{REFHI}	Ref High	3.2 × Bandgap	4.047	4.154	4.238	V
		V _{AGND}	AGND	1.6 × Bandgap	2.016	2.081	2.150	V
		V _{REFLO}	Ref Low	V _{SS}	V _{SS}	V _{SS} + 0.004	V _{SS} + 0.018	V

Table 22. 3.3-V DC Analog Reference Specifications

Reference ARF_CR[5:3]	Reference Power Settings	Symbol	Reference	Description	Min	Typ	Max	Unit
0b000	RefPower = High Opamp bias = High	V _{REFHI}	Ref High	V _{DD} /2 + Band-Gap	V _{DD} /2 + 1.225	V _{DD} /2 + 1.292	V _{DD} /2 + 1.361	V
		V _{AGND}	AGND	V _{DD} /2	V _{DD} /2 – 0.067	V _{DD} /2 – 0.002	V _{DD} /2 + 0.063	V
		V _{REFLO}	Ref Low	V _{DD} /2 – Band-Gap	V _{DD} /2 – 1.35	V _{DD} /2 – 1.293	V _{DD} /2 – 1.210	V
	RefPower = High Opamp bias = Low	V _{REFHI}	Ref High	V _{DD} /2 + Band-Gap	V _{DD} /2 + 1.218	V _{DD} /2 + 1.294	V _{DD} /2 + 1.370	V
		V _{AGND}	AGND	V _{DD} /2	V _{DD} /2 – 0.038	V _{DD} /2 – 0.001	V _{DD} /2 + 0.035	V
		V _{REFLO}	Ref Low	V _{DD} /2 – Band-Gap	V _{DD} /2 – 1.329	V _{DD} /2 – 1.296	V _{DD} /2 – 1.259	V
	RefPower = Med Opamp bias = High	V _{REFHI}	Ref High	V _{DD} /2 + Band-Gap	V _{DD} /2 + 1.221	V _{DD} /2 + 1.294	V _{DD} /2 + 1.366	V
		V _{AGND}	AGND	V _{DD} /2	V _{DD} /2 – 0.050	V _{DD} /2 – 0.002	V _{DD} /2 + 0.046	V
		V _{REFLO}	Ref Low	V _{DD} /2 – Band-Gap	V _{DD} /2 – 1.331	V _{DD} /2 – 1.296	V _{DD} /2 – 1.260	V
	RefPower = Med Opamp bias = Low	V _{REFHI}	Ref High	V _{DD} /2 + Band-Gap	V _{DD} /2 + 1.226	V _{DD} /2 + 1.295	V _{DD} /2 + 1.365	V
		V _{AGND}	AGND	V _{DD} /2	V _{DD} /2 – 0.028	V _{DD} /2 – 0.001	V _{DD} /2 + 0.025	V
		V _{REFLO}	Ref Low	V _{DD} /2 – Band-Gap	V _{DD} /2 – 1.329	V _{DD} /2 – 1.297	V _{DD} /2 – 1.262	V

Table 22. 3.3-V DC Analog Reference Specifications (continued)

Reference ARF_CR[5:3]	Reference Power Settings	Symbol	Reference	Description	Min	Typ	Max	Unit
0b001	RefPower = High Opamp bias = High	V _{REFHI}	Ref High	P2[4]+P2[6] (P2[4] = V _{DD} /2, P2[6] = 0.5 V)	P2[4] + P2[6] – 0.098	P2[4] + P2[6] – 0.018	P2[4] + P2[6] + 0.055	V
		V _{AGND}	AGND	P2[4]	P2[4]	P2[4]	P2[4]	–
		V _{REFLO}	Ref Low	P2[4] – P2[6] (P2[4] = V _{DD} /2, P2[6] = 0.5 V)	P2[4] – P2[6] – 0.055	P2[4] – P2[6] + 0.013	P2[4] – P2[6] + 0.086	V
	RefPower = High Opamp bias = Low	V _{REFHI}	Ref High	P2[4] + P2[6] (P2[4] = V _{DD} /2, P2[6] = 0.5 V)	P2[4] + P2[6] – 0.082	P2[4] + P2[6] – 0.011	P2[4] + P2[6] + 0.050	V
		V _{AGND}	AGND	P2[4]	P2[4]	P2[4]	P2[4]	–
		V _{REFLO}	Ref Low	P2[4] – P2[6] (P2[4] = V _{DD} /2, P2[6] = 0.5 V)	P2[4] – P2[6] – 0.037	P2[4] – P2[6] + 0.006	P2[4] – P2[6] + 0.054	V
	RefPower = Med Opamp bias = High	V _{REFHI}	Ref High	P2[4] + P2[6] (P2[4] = V _{DD} /2, P2[6] = 0.5 V)	P2[4] + P2[6] – 0.079	P2[4] + P2[6] – 0.012	P2[4] + P2[6] + 0.047	V
		V _{AGND}	AGND	P2[4]	P2[4]	P2[4]	P2[4]	–
		V _{REFLO}	Ref Low	P2[4]–P2[6] (P2[4] = V _{DD} /2, P2[6] = 0.5 V)	P2[4] – P2[6] – 0.038	P2[4] – P2[6] + 0.006	P2[4] – P2[6] + 0.057	V
	RefPower = Med Opamp bias = Low	V _{REFHI}	Ref High	P2[4]+P2[6] (P2[4] = V _{DD} /2, P2[6] = 0.5 V)	P2[4] + P2[6] – 0.080	P2[4] + P2[6] – 0.008	P2[4] + P2[6] + 0.055	V
		V _{AGND}	AGND	P2[4]	P2[4]	P2[4]	P2[4]	–
		V _{REFLO}	Ref Low	P2[4]–P2[6] (P2[4] = V _{DD} /2, P2[6] = 0.5 V)	P2[4] – P2[6] – 0.032	P2[4] – P2[6] + 0.003	P2[4] – P2[6] + 0.042	V

Table 22. 3.3-V DC Analog Reference Specifications (continued)

Reference ARF_CR[5:3]	Reference Power Settings	Symbol	Reference	Description	Min	Typ	Max	Unit
0b010	RefPower = High Opamp bias = High	V _{REFHI}	Ref High	V _{DD}	V _{DD} - 0.06	V _{DD} - 0.010	V _{DD}	V
		V _{AGND}	AGND	V _{DD} /2	V _{DD} /2 - 0.05	V _{DD} /2 - 0.002	V _{DD} /2 + 0.040	V
		V _{REFLO}	Ref Low	V _{SS}	V _{SS}	V _{SS} + 0.009	V _{SS} + 0.056	V
	RefPower = High Opamp bias = Low	V _{REFHI}	Ref High	V _{DD}	V _{DD} - 0.060	V _{DD} - 0.006	V _{DD}	V
		V _{AGND}	AGND	V _{DD} /2	V _{DD} /2 - 0.028	V _{DD} /2 - 0.001	V _{DD} /2 + 0.025	V
		V _{REFLO}	Ref Low	V _{SS}	V _{SS}	V _{SS} + 0.005	V _{SS} + 0.034	V
	RefPower = Med Opamp bias = High	V _{REFHI}	Ref High	V _{DD}	V _{DD} - 0.058	V _{DD} - 0.008	V _{DD}	V
		V _{AGND}	AGND	V _{DD} /2	V _{DD} /2 - 0.037	V _{DD} /2 - 0.002	V _{DD} /2 + 0.033	V
		V _{REFLO}	Ref Low	V _{SS}	V _{SS}	V _{SS} + 0.007	V _{SS} + 0.046	V
	RefPower = Med Opamp bias = Low	V _{REFHI}	Ref High	V _{DD}	V _{DD} - 0.057	V _{DD} - 0.006	V _{DD}	V
		V _{AGND}	AGND	V _{DD} /2	V _{DD} /2 - 0.025	V _{DD} /2 - 0.001	V _{DD} /2 + 0.022	V
		V _{REFLO}	Ref Low	V _{SS}	V _{SS}	V _{SS} + 0.004	V _{SS} + 0.030	V
0b011	All power settings. Not allowed for 3.3 V	-	-	-	-	-	-	
0b100	All power settings. Not allowed for 3.3 V	-	-	-	-	-	-	

Table 22. 3.3-V DC Analog Reference Specifications (continued)

Reference ARF_CR[5:3]	Reference Power Settings	Symbol	Reference	Description	Min	Typ	Max	Unit
0b101	RefPower = High Opamp bias = High	V _{REFHI}	Ref High	P2[4] + Band-Gap (P2[4] = V _{DD} /2)	P2[4] + 1.213	P2[4] + 1.291	P2[4] + 1.367	V
		V _{AGND}	AGND	P2[4]	P2[4]	P2[4]	P2[4]	V
		V _{REFLO}	Ref Low	P2[4] – Band-Gap (P2[4] = V _{DD} /2)	P2[4] – 1.333	P2[4] – 1.294	P2[4] – 1.208	V
	RefPower = High Opamp bias = Low	V _{REFHI}	Ref High	P2[4] + Band-Gap (P2[4] = V _{DD} /2)	P2[4] + 1.217	P2[4] + 1.294	P2[4] + 1.368	V
		V _{AGND}	AGND	P2[4]	P2[4]	P2[4]	P2[4]	V
		V _{REFLO}	Ref Low	P2[4] – Band-Gap (P2[4] = V _{DD} /2)	P2[4] – 1.320	P2[4] – 1.296	P2[4] – 1.261	V
	RefPower = Med Opamp bias = High	V _{REFHI}	Ref High	P2[4] + Band-Gap (P2[4] = V _{DD} /2)	P2[4] + 1.217	P2[4] + 1.294	P2[4] + 1.369	V
		V _{AGND}	AGND	P2[4]	P2[4]	P2[4]	P2[4]	V
		V _{REFLO}	Ref Low	P2[4] – Band-Gap (P2[4] = V _{DD} /2)	P2[4] – 1.322	P2[4] – 1.297	P2[4] – 1.262	V
	RefPower = Med Opamp bias = Low	V _{REFHI}	Ref High	P2[4] + Band-Gap (P2[4] = V _{DD} /2)	P2[4] + 1.219	P2[4] + 1.295	P2[4] + 1.37	V
		V _{AGND}	AGND	P2[4]	P2[4]	P2[4]	P2[4]	V
		V _{REFLO}	Ref Low	P2[4] – Band-Gap (P2[4] = V _{DD} /2)	P2[4] – 1.324	P2[4] – 1.297	P2[4] – 1.262	V
0b110	RefPower = High Opamp bias = High	V _{REFHI}	Ref High	2 × BandGap	2.507	2.598	2.698	V
		V _{AGND}	AGND	BandGap	1.203	1.307	1.424	V
		V _{REFLO}	Ref Low	V _{ss}	V _{ss}	V _{ss} + 0.012	V _{ss} + 0.067	V
	RefPower = High Opamp bias = Low	V _{REFHI}	Ref High	2 × BandGap	2.516	2.598	2.683	V
		V _{AGND}	AGND	BandGap	1.241	1.303	1.376	V
		V _{REFLO}	Ref Low	V _{ss}	V _{ss}	V _{ss} + 0.007	V _{ss} + 0.040	V
	RefPower = Med Opamp bias = High	V _{REFHI}	Ref High	2 × BandGap	2.510	2.599	2.693	V
		V _{AGND}	AGND	BandGap	1.240	1.305	1.374	V
		V _{REFLO}	Ref Low	V _{ss}	V _{ss}	V _{ss} + 0.008	V _{ss} + 0.048	V
	RefPower = Med Opamp bias = Low	V _{REFHI}	Ref High	2 × BandGap	2.515	2.598	2.683	V
		V _{AGND}	AGND	BandGap	1.258	1.302	1.355	V
		V _{REFLO}	Ref Low	V _{ss}	V _{ss}	V _{ss} + 0.005	V _{ss} + 0.03	V
0b111	All power settings. Not allowed for 3.3 V.	–	–	–	–	–	–	

DC Analog External Reference Specifications

The following table lists guaranteed maximum and minimum specifications for the voltage and temperature ranges: 4.75 V to 5.25 V and $-40\text{ }^{\circ}\text{C} \leq T_A \leq 85\text{ }^{\circ}\text{C}$, or 3.0 V to 3.6 V and $-40\text{ }^{\circ}\text{C} \leq T_A \leq 85\text{ }^{\circ}\text{C}$, respectively. Typical parameters apply to 5 V and 3.3 V at 25 °C and are for design guidance only.

Table 23. 5-V DC Analog External Reference Specifications

Reference	Description	Min	Typ	Max	Unit
Ref Low	Ref Low = P2[4] – P2[6] (P2[4] = $V_{CC}/2$, P2[6] = 1.3 V)	1.12	1.221	1.28	V
AGND	AGND = P2[4] (P2[4] = $V_{CC}/2$)	2.487	2.499	2.513	V
Ref High	Ref Low = P2[4] + P2[6] (P2[4] = $V_{CC}/2$, P2[6] = 1.3 V)	3.67	3.759	3.93	V

Table 24. 3.3-V DC Analog External Reference Specifications

Reference	Description	Min	Typ	Max	Unit
Ref Low	Ref Low = P2[4] – P2[6] (P2[4] = $V_{CC}/2$, P2[6] = 1.3 V)	0.29	0.371	0.41	V
AGND	AGND = P2[4] (P2[4] = $V_{CC}/2$)	1.642	1.649	1.658	V
Ref High	Ref Low = P2[4] + P2[6] (P2[4] = $V_{CC}/2$, P2[6] = 1.3 V)	–	2.916	–	V

DC Analog PSoC Block Specifications

The following table lists guaranteed maximum and minimum specifications for the voltage and temperature ranges: 4.75 V to 5.25 V and $-40\text{ }^{\circ}\text{C} \leq T_A \leq 85\text{ }^{\circ}\text{C}$, or 3.0 V to 3.6 V and $-40\text{ }^{\circ}\text{C} \leq T_A \leq 85\text{ }^{\circ}\text{C}$, respectively. Typical parameters apply to 5 V and 3.3 V at 25 °C and are for design guidance only.

Table 25. DC Analog PSoC Block Specifications

Symbol	Description	Min	Typ	Max	Unit	Notes
R_{CT}	Resistor unit value (continuous time)	–	12.2	–	k Ω	
C_{SC}	Capacitor unit value (switch cap)	–	80	–	fF	

DC POR, SMP, and LVD Specifications

The following table lists guaranteed maximum and minimum specifications for the voltage and temperature ranges: 4.75 V to 5.25 V and $-40\text{ }^{\circ}\text{C} \leq T_A \leq 85\text{ }^{\circ}\text{C}$, or 3.0

V to 3.6 V and $-40\text{ }^{\circ}\text{C} \leq T_A \leq 85\text{ }^{\circ}\text{C}$, respectively. Typical parameters apply to 5 V and 3.3 V at 25 °C and are for design guidance only.

Table 26. DC POR, SMP, and LVD Specifications

Symbol	Description	Min	Typ	Max	Units	Notes
V_{PPOR0R}	V_{DD} value for PPOR trip (positive ramp) PORLEV[1:0] = 00b		2.91		V	
V_{PPOR1R}	PORLEV[1:0] = 01b	–	4.39	–	V	
V_{PPOR2R}	PORLEV[1:0] = 10b		4.55		V	
V_{PPOR0}	V_{DD} value for PPOR trip (negative ramp) PORLEV[1:0] = 00b		2.82		V	
V_{PPOR1}	PORLEV[1:0] = 01b	–	4.39	–	V	
V_{PPOR2}	PORLEV[1:0] = 10b		4.55		V	
V_{PH0}	PPOR hysteresis PORLEV[1:0] = 00b	–	92	–	mV	
V_{PH1}	PORLEV[1:0] = 01b	–	0	–	mV	
V_{PH2}	PORLEV[1:0] = 10b	–	0	–	mV	
V_{LVD0}	V_{DD} value for LVD trip VM[2:0] = 000b	2.86	2.92	2.98 ^[16]	V	
V_{LVD1}	VM[2:0] = 001b	2.96	3.02	3.08	V	
V_{LVD2}	VM[2:0] = 010b	3.07	3.13	3.20	V	
V_{LVD3}	VM[2:0] = 011b	3.92	4.00	4.08	V	
V_{LVD4}	VM[2:0] = 100b	4.39	4.48	4.57	V	
V_{LVD5}	VM[2:0] = 101b	4.55	4.64	4.74 ^[17]	V	
V_{LVD6}	VM[2:0] = 110b	4.63	4.73	4.82	V	
V_{LVD7}	VM[2:0] = 111b	4.72	4.81	4.91	V	
V_{PUMP0}	V_{DD} value for SMP trip VM[2:0] = 000b	2.96	3.02	3.08	V	
V_{PUMP1}	VM[2:0] = 001b	3.03	3.10	3.16	V	
V_{PUMP2}	VM[2:0] = 010b	3.18	3.25	3.32	V	
V_{PUMP3}	VM[2:0] = 011b	4.11	4.19	4.28	V	
V_{PUMP4}	VM[2:0] = 100b	4.55	4.64	4.74	V	
V_{PUMP5}	VM[2:0] = 101b	4.63	4.73	4.82	V	
V_{PUMP6}	VM[2:0] = 110b	4.72	4.82	4.91	V	
V_{PUMP7}	VM[2:0] = 111b	4.90	5.00	5.10	V	

Notes

16. Always greater than 50 mV above PPOR (PORLEV = 00) for falling supply.
 17. Always greater than 50 mV above PPOR (PORLEV = 10) for falling supply.

DC Programming Specifications

The following table lists guaranteed maximum and minimum specifications for the voltage and temperature ranges: 4.75 V to 5.25 V and $-40\text{ }^{\circ}\text{C} \leq T_A \leq 85\text{ }^{\circ}\text{C}$, or 3.0 V to 3.6 V and $-40\text{ }^{\circ}\text{C} \leq T_A \leq 85\text{ }^{\circ}\text{C}$, respectively. Typical parameters apply to 5 V and 3.3 V at 25 °C and are for design guidance only.

Table 27. DC Programming Specifications

Symbol	Description	Min	Typ	Max	Units	Notes
V _{DDP}	V _{DD} for programming and erase	4.5	5	5.5	V	This specification applies to the functional requirements of external programmer tools.
V _{DDL}	Low V _{DD} for verify	3	3.1	3.2	V	This specification applies to the functional requirements of external programmer tools.
V _{DDH}	High V _{DD} for verify	5.1	5.2	5.3	V	This specification applies to the functional requirements of external programmer tools.
V _{DDIWRITE}	Supply voltage for flash write operation	3.15		5.25	V	This specification applies to this device when it is executing internal flash writes.
I _{DDP}	Supply current during programming or verify	–	10	30	mA	
V _{ILP}	Input low voltage during programming or verify	–	–	0.8	V	
V _{IHP}	Input high voltage during programming or verify	2.2	–	–	V	
I _{ILP}	Input current when applying V _{ilp} to P1[0] or P1[1] during programming or verify	–	–	0.2	mA	Driving internal pull-down resistor
I _{IHP}	Input current when applying V _{ihp} to P1[0] or P1[1] during programming or verify	–	–	1.5	mA	Driving internal pull-down resistor
V _{OLV}	Output low voltage during programming or verify	–	–	V _{SS} + 0.75	V	
V _{OHV}	Output high voltage during programming or verify	V _{DD} – 1.0	–	V _{DD}	V	
Flash _{ENPB}	Flash endurance (per block)	50,000 ^[18]	–	–	–	Erase/write cycles per block
Flash _{ENT}	Flash endurance (total) ^[19]	1,800,000	–	–	–	Erase/write cycles
Flash _{DR}	Flash data retention	10	–	–	Years	

DC I²C Specifications

The following table lists guaranteed maximum and minimum specifications for the voltage and temperature ranges: 4.75 V to 5.25 V and $-40\text{ }^{\circ}\text{C} \leq T_A \leq 85\text{ }^{\circ}\text{C}$, or 3.0 V to 3.6 V and $-40\text{ }^{\circ}\text{C} \leq T_A \leq 85\text{ }^{\circ}\text{C}$, respectively. Typical parameters apply to 5 V and 3.3 V at 25 °C and are for design guidance only.

Table 28. DC I²C Specifications

Parameter	Description	Min	Typ	Max	Units	Notes
V _{IL12C} ^[20]	Input low level	–	–	0.3 × V _{DD}	V	3.0 V ≤ V _{DD} ≤ 3.6 V
		–	–	0.25 × V _{DD}	V	4.75 V ≤ V _{DD} ≤ 5.25 V
V _{IH12C} ^[20]	Input high level	0.7 × V _{DD}	–	–	V	3.0 V ≤ V _{DD} ≤ 5.25 V
V _{OL12C}	Output low level	–	–	0.4	V	at sink current of 3 mA
		–	–	0.6	V	at sink current of 6 mA

Notes

18. The 50,000 cycle flash endurance per block is only guaranteed if the flash is operating within one voltage range. Voltage ranges are 3.0 V to 3.6 V and 4.75 V to 5.25 V.

19. A maximum of 36 × 50,000 block endurance cycles is allowed. This may be balanced between operations on 36 × 1 blocks of 50,000 maximum cycles each, 36 × 2 blocks of 25,000 maximum cycles each, or 36 × 4 blocks of 12,500 maximum cycles each (to limit the total number of cycles to 36 × 50,000 and that no single block ever sees more than 50,000 cycles).

For the full industrial range, the user must employ a temperature sensor user module (FlashTemp) and feed the result to the temperature argument before writing. Refer to the Flash APIs application note [Design Aids – Reading and Writing PSoC® Flash – AN2015](#) for more information.

20. All GPIOs meet the DC GPIO V_{IL} and V_{IH} specifications found in the DC GPIO specifications sections. The I²C GPIO pins also meet the mentioned specs.

AC Electrical Characteristics

AC Chip-Level Specifications

The following table lists guaranteed maximum and minimum specifications for the voltage and temperature ranges: 4.75 V to 5.25 V and $-40\text{ }^{\circ}\text{C} \leq T_A \leq 85\text{ }^{\circ}\text{C}$, or 3.0 V to 3.6 V and $-40\text{ }^{\circ}\text{C} \leq T_A \leq 85\text{ }^{\circ}\text{C}$, respectively. Typical parameters apply to 5 V and 3.3 V at 25 °C and are for design guidance only.

Note See the individual user module datasheets for information on maximum frequencies for user modules.

Table 29. AC Chip-Level Specifications

Symbol	Description	Min	Typ	Max	Units	Notes
F _{IMO24} ^[21]	Internal main oscillator (IMO) frequency for 24 MHz	22.8	24	25.2 ^[22,23]	MHz	Trimmed for 5 V or 3.3 V operation using factory trim values. See Figure 11 on page 21 . SLIMO Mode = 0.
F _{IMO6}	IMO frequency for 6 MHz	5.5	6	6.5 ^[22,23]	MHz	Trimmed for 5 V or 3.3 V operation using factory trim values. See Figure 11 on page 21 . SLIMO Mode = 1.
F _{CPU1}	CPU frequency (5 V Nominal)	0.0914	24	25.2 ^[22]	MHz	SLIMO Mode = 0.
F _{CPU2}	CPU frequency (3.3 V Nominal)	0.0914	12	12.6 ^[23]	MHz	SLIMO Mode = 0.
F _{48M}	Digital PSoC block frequency	0	48	50.4 ^[22,24]	MHz	Refer to AC Digital Block Specifications on page 45 .
F _{24M}	Digital PSoC block frequency	0	24	25.2 ^[24]	MHz	
F _{32K1}	Internal low speed oscillator frequency	15	32	64	kHz	
F _{32K2}	External crystal oscillator	–	32.768	–	kHz	Accuracy is capacitor and crystal dependent. 50% duty cycle
F _{32K_U}	Internal low speed oscillator (ILO) untrimmed frequency	5	–	100	kHz	After a reset and before the M8C starts to run, the ILO is not trimmed. See the System Resets section of the PSoC Technical Reference Manual for details on this timing
F _{PLL}	PLL frequency	–	23.986	–	MHz	A multiple (x732) of crystal frequency
T _{PLLSLEW}	PLL lock time	0.5	–	10	ms	
T _{PLLSLEWLOW}	PLL lock time for low gain setting	0.5	–	50	ms	
T _{OS}	External crystal oscillator startup to 1%	–	250	500	ms	
T _{OSACC}	External crystal oscillator startup to 100 ppm	–	300	600	ms	The crystal oscillator frequency is within 100 ppm of its final value by the end of the T _{OSACC} period. Correct operation assumes a properly loaded 1 μW maximum drive level 32.768 kHz crystal. 3.0 V ≤ V _{DD} ≤ 5.5 V, $-40\text{ }^{\circ}\text{C} \leq T_A \leq 85\text{ }^{\circ}\text{C}$.
T _{XRST}	External reset pulse width	10	–	–	μs	
DC _{24M}	24 MHz duty cycle	40	50	60	%	
DC _{ILO}	Internal low speed oscillator duty cycle	20	50	80	%	
Step _{24M}	24 MHz trim step size	–	50	–	kHz	
F _{out48M}	48 MHz output frequency	45.6	48.0	50.4 ^[22, 23]	MHz	Trimmed. Using factory trim values
F _{MAX}	Maximum frequency of signal on row input or row output.	–	–	12.3	MHz	

Notes

21. **Errata:** When the device is operated within 0 °C to 70 °C, the frequency tolerance is reduced to ±2.5%, but if operated at extreme temperature (below 0 °C or above 70 °C), frequency tolerance deviates from ±2.5% to ±5%. For more information, see [Errata on page 63](#).

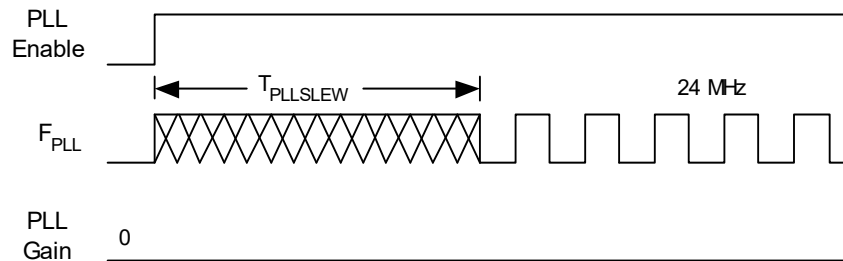
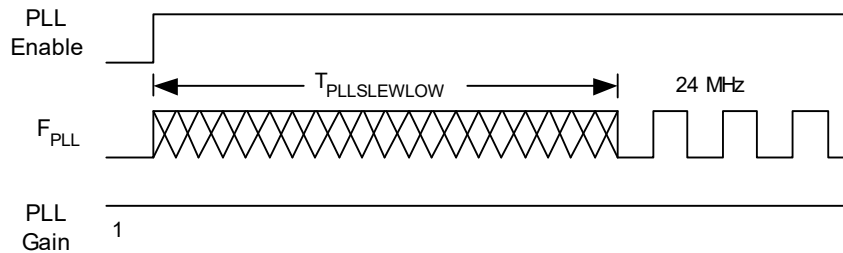
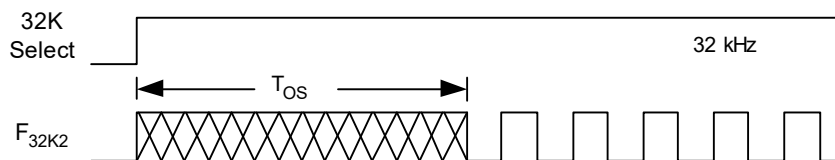
22. 4.75 V < V_{DD} < 5.25 V.

23. 3.0 V < V_{DD} < 3.6 V. See application note [Adjusting PSoC® Trims for 3.3 V and 2.7 V Operation – AN2012](#) for information on trimming for operation at 3.3 V.

24. See the individual user module datasheets for information on maximum frequencies for user modules

Table 29. AC Chip-Level Specifications (continued)

Symbol	Description	Min	Typ	Max	Units	Notes
SR _{POWER_UP}	Power supply slew rate	–	–	250	V/ms	V _{DD} slew rate during power-up
T _{POWERUP} [25]	Time from end of POR to CPU executing code	–	16	100	ms	Power-up from 0 V. See the System Resets section of the PSoC Technical Reference Manual
tjit_IMO [26]	24 MHz IMO cycle-to-cycle jitter (RMS)	–	200	700	ps	N = 32
	24 MHz IMO long term N cycle-to-cycle jitter (RMS)	–	300	900		
	24 MHz IMO period jitter (RMS)	–	100	400		
tjit_PLL [26]	24 MHz IMO cycle-to-cycle jitter (RMS)	–	200	800	ps	N = 32
	24 MHz IMO long term N cycle-to-cycle jitter (RMS)	–	300	1200		
	24 MHz IMO period jitter (RMS)	–	100	700		

Figure 13. PLL Lock Timing Diagram

Figure 14. PLL Lock for Low Gain Setting Timing Diagram

Figure 15. External Crystal Oscillator Startup Timing Diagram

Notes

25. **Errata:** When V_{DD} of the device is pulled below ground just before power-on; the first read from each 8K Flash bank may be corrupted apart from Flash bank 0. This can be solved by doing a dummy read from each Flash bank prior to use of the Flash banks. For more information, see [Errata on page 63](#).

26. Refer to Cypress Jitter Specifications application note, [Understanding Datasheet Jitter Specifications for Cypress Timing Products – AN5054](#) for more information.

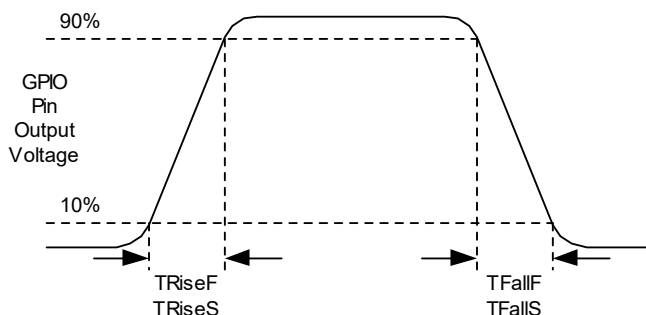
AC General Purpose I/O Specifications

The following table lists guaranteed maximum and minimum specifications for the voltage and temperature ranges: 4.75 V to 5.25 V and $-40\text{ }^{\circ}\text{C} \leq T_A \leq 85\text{ }^{\circ}\text{C}$, or 3.0 V to 3.6 V and $-40\text{ }^{\circ}\text{C} \leq T_A \leq 85\text{ }^{\circ}\text{C}$, respectively. Typical parameters apply to 5 V and 3.3 V at 25 $^{\circ}\text{C}$ and are for design guidance only.

Table 30. AC GPIO Specifications

Symbol	Description	Min	Typ	Max	Unit	Notes
F_{GPIO}	GPIO operating frequency	0	–	12.3	MHz	Normal strong mode
t_{RiseF}	Rise time, normal strong mode, $C_{\text{load}} = 50\text{ pF}$	3	–	18	ns	$V_{\text{DD}} = 4.75\text{ to }5.25\text{ V}$, 10% to 90%
t_{FallF}	Fall time, normal strong mode, $C_{\text{load}} = 50\text{ pF}$	2	–	18	ns	$V_{\text{DD}} = 4.75\text{ to }5.25\text{ V}$, 10% to 90%
t_{RiseS}	Rise time, slow strong mode, $C_{\text{load}} = 50\text{ pF}$	10	27	–	ns	$V_{\text{DD}} = 3\text{ to }5.25\text{ V}$, 10% to 90%
t_{FallS}	Fall time, slow strong mode, $C_{\text{load}} = 50\text{ pF}$	10	22	–	ns	$V_{\text{DD}} = 3\text{ to }5.25\text{ V}$, 10% to 90%

Figure 16. GPIO Timing Diagram



AC Operational Amplifier Specifications

The following tables list guaranteed maximum and minimum specifications for the voltage and temperature ranges: 4.75 V to 5.25 V and $-40\text{ }^{\circ}\text{C} \leq T_A \leq 85\text{ }^{\circ}\text{C}$, or 3.0 V to 3.6 V and $-40\text{ }^{\circ}\text{C} \leq T_A \leq 85\text{ }^{\circ}\text{C}$, respectively. Typical parameters apply to 5 V and 3.3 V at 25 $^{\circ}\text{C}$ and are for design guidance only.

Settling times, slew rates, and gain bandwidth are based on the analog continuous time PSoC block.

Power = High and Opamp bias = High is not supported at 3.3 V.

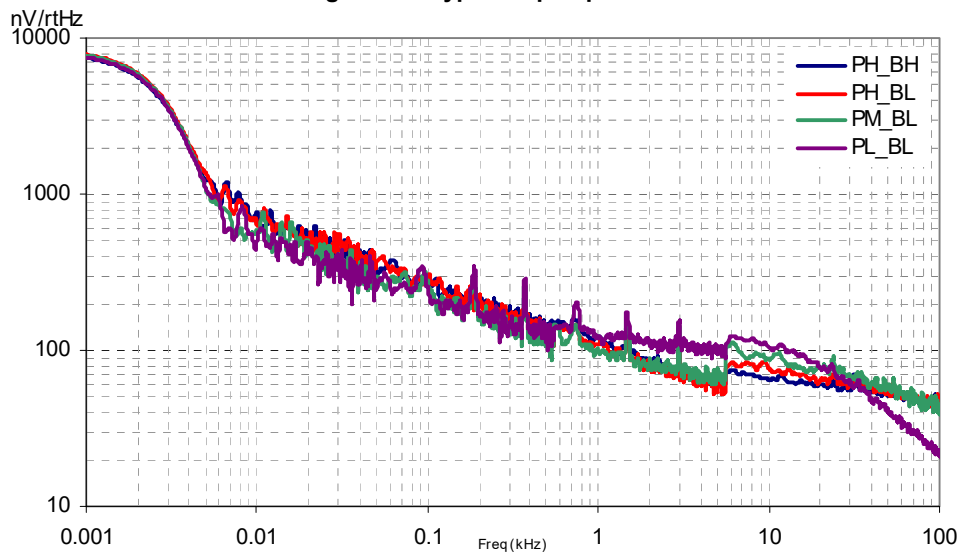
Table 31. 5-V AC Operational Amplifier Specifications

Symbol	Description	Min	Typ	Max	Unit
t_{ROA}	Rising settling time to 0.1% for a 1 V step (10 pF load, unity gain) Power = Low, Opamp bias = Low Power = Medium, Opamp bias = High Power = High, Opamp bias = High	– – –	– – –	3.9 0.72 0.62	μs μs μs
t_{SOA}	Falling settling time to 0.1% for a 1 V step (10 pF load, unity gain) Power = Low, Opamp bias = Low Power = Medium, Opamp bias = High Power = High, Opamp bias = High	– – –	– – –	5.9 0.92 0.72	μs μs μs
SR_{ROA}	Rising slew rate (20% to 80%) of a 1 V step (10 pF load, unity gain) Power = Low, Opamp bias = Low Power = Medium, Opamp bias = High Power = High, Opamp bias = High	0.15 1.7 6.5	– – –	– – –	$\text{V}/\mu\text{s}$ $\text{V}/\mu\text{s}$ $\text{V}/\mu\text{s}$
SR_{FOA}	Falling slew rate (20% to 80%) of a 1 V step (10 pF load, unity gain) Power = Low, Opamp bias = Low Power = Medium, Opamp bias = High Power = High, Opamp bias = High	0.01 0.5 4.0	– – –	– – –	$\text{V}/\mu\text{s}$ $\text{V}/\mu\text{s}$ $\text{V}/\mu\text{s}$
BW_{OA}	Gain bandwidth product Power = Low, Opamp bias = Low Power = Medium, Opamp bias = High Power = High, Opamp bias = High	0.75 3.1 5.4	– – –	– – –	MHz MHz MHz
E_{NOA}	Noise at 1 kHz (Power = Medium, Opamp bias = High)	–	100	–	nV/rt-Hz

Table 32. 3.3-V AC Operational Amplifier Specifications

Symbol	Description	Min	Typ	Max	Units
t_{ROA}	Rising settling time to 0.1% of a 1 V Step (10 pF load, unity gain) Power = Low, Opamp bias = Low Power = Medium, Opamp bias = High	– –	– –	3.92 0.72	μs μs
t_{SOA}	Falling settling time to 0.1% of a 1 V Step (10 pF load, unity gain) Power = Low, Opamp bias = Low Power = Medium, Opamp bias = High	– –	– –	5.41 0.72	μs μs
SR_{ROA}	Rising slew rate (20% to 80%) of a 1 V Step (10 pF load, unity gain) Power = Low, Opamp bias = Low Power = Medium, Opamp bias = High	0.31 2.7	– –	– –	$\text{V}/\mu\text{s}$ $\text{V}/\mu\text{s}$
SR_{FOA}	Falling slew rate (20% to 80%) of a 1 V Step (10 pF load, unity gain) Power = Low, Opamp bias = Low Power = Medium, Opamp bias = High	0.24 1.8	– –	– –	$\text{V}/\mu\text{s}$ $\text{V}/\mu\text{s}$
BW_{OA}	Gain bandwidth product Power = Low, Opamp bias = Low Power = Medium, Opamp bias = High	0.67 2.8	– –	– –	MHz MHz
E_{NOA}	Noise at 1 kHz (Power = Medium, Opamp bias = High)	–	100	–	$\text{nV}/\text{rt-Hz}$

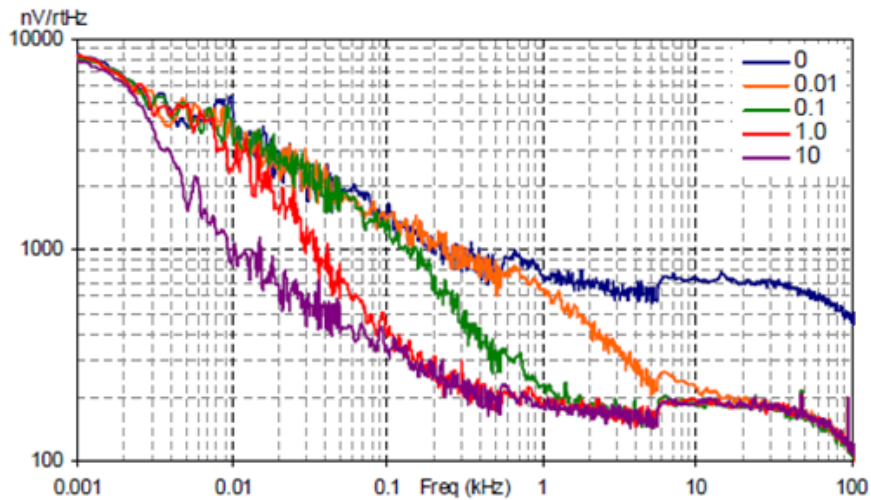
Figure 17. Typical Opamp Noise



Analog Reference Noise spectrum:

When bypassed by a capacitor on P2[4], the noise of the analog ground signal distributed to each block is reduced by a factor of up to 5 (14 dB). This is at frequencies above the corner frequency defined by the on-chip 8.1 K resistance and the external capacitor.

Figure 18. Typical AGND Noise with P2[4] Bypass
AGND = 1.6 × V_{bg}



At low frequencies, the opamp noise is proportional to $1/f$, power independent, and determined by device geometry. At high frequencies, increased power level reduces the noise spectrum level.

Note: The capacitor values shown in Figure 18 are in μF .

AC Low-Power Comparator Specifications

The following table lists guaranteed maximum and minimum specifications for the voltage and temperature ranges: 4.75 V to 5.25 V and $-40\text{ }^\circ\text{C} \leq T_A \leq 85\text{ }^\circ\text{C}$, 3.0 V to 3.6 V and $-40\text{ }^\circ\text{C} \leq T_A \leq 85\text{ }^\circ\text{C}$, or 2.4 V to 3.0 V and $-40\text{ }^\circ\text{C} \leq T_A \leq 85\text{ }^\circ\text{C}$, respectively. Typical parameters apply to 5 V at 25 $^\circ\text{C}$ and are for design guidance only.

Table 33. AC Low-Power Comparator Specifications

Symbol	Description	Min	Typ	Max	Unit	Notes
t_{RLPC}	LPC response time	–	–	50	μs	$\geq 50\text{ mV}$ overdrive comparator reference set within V_{REFLPC}

AC Digital Block Specifications

The following table lists guaranteed maximum and minimum specifications for the voltage and temperature ranges: 4.75 V to 5.25 V and $-40\text{ }^{\circ}\text{C} \leq T_A \leq 85\text{ }^{\circ}\text{C}$, or 3.0 V to 3.6 V and $-40\text{ }^{\circ}\text{C} \leq T_A \leq 85\text{ }^{\circ}\text{C}$, respectively. Typical parameters apply to 5 V and 3.3 V at 25 °C and are for design guidance only.

Table 34. AC Digital Block Specifications

Function	Description	Min	Typ	Max	Unit	Notes
All functions	Block input clock frequency					
	$V_{DD} \geq 4.75\text{ V}$	–	–	50.4	MHz	
	$V_{DD} < 4.75\text{ V}$	–	–	25.2	MHz	
Timer	Input clock frequency					
	No capture, $V_{DD} \geq 4.75\text{ V}$	–	–	50.4	MHz	
	No capture, $V_{DD} < 4.75\text{ V}$	–	–	25.2	MHz	
	With capture	–	–	25.2	MHz	
	Capture pulse width	50 ^[27]	–	–	ns	
Counter	Input clock frequency					
	No enable input, $V_{DD} \geq 4.75\text{ V}$	–	–	50.4	MHz	
	No enable input, $V_{DD} < 4.75\text{ V}$	–	–	25.2	MHz	
	With enable input	–	–	25.2	MHz	
	Enable input pulse width	50 ^[27]	–	–	ns	
Dead Band	Kill pulse width					
	Asynchronous restart mode	20	–	–	ns	
	Synchronous restart mode	50 ^[27]	–	–	ns	
	Disable mode	50 ^[27]	–	–	ns	
	Input clock frequency					
	$V_{DD} \geq 4.75\text{ V}$	–	–	50.4	MHz	
	$V_{DD} < 4.75\text{ V}$	–	–	25.2	MHz	
CRCPRS (PRS Mode)	Input clock frequency					
	$V_{DD} \geq 4.75\text{ V}$	–	–	50.4	MHz	
	$V_{DD} < 4.75\text{ V}$	–	–	25.2	MHz	
CRCPRS (CRC Mode)	Input clock frequency	–	–	25.2	MHz	
SPIM	Input clock frequency	–	–	8.2	MHz	The SPI serial clock (SCLK) frequency is equal to the input clock frequency divided by 2
SPIS	Input clock (SCLK) frequency	–	–	4.1	MHz	The input clock is the SPI SCLK in SPIS mode
	Width of SS_negated between transmissions	50 ^[27]	–	–	ns	
Transmitter	Input clock frequency					The baud rate is equal to the input clock frequency divided by 8
	$V_{DD} \geq 4.75\text{ V}$, 2 stop bits	–	–	50.4	MHz	
	$V_{DD} \geq 4.75\text{ V}$, 1 stop bit	–	–	25.2	MHz	
	$V_{DD} < 4.75\text{ V}$	–	–	25.2	MHz	
Receiver	Input clock frequency					The baud rate is equal to the input clock frequency divided by 8
	$V_{DD} \geq 4.75\text{ V}$, 2 stop bits	–	–	50.4	MHz	
	$V_{DD} \geq 4.75\text{ V}$, 1 stop bit	–	–	25.2	MHz	
	$V_{DD} < 4.75\text{ V}$	–	–	25.2	MHz	

Note

27. 50 ns minimum input pulse width is based on the input synchronizers running at 24 MHz (42 ns nominal period).

AC Analog Output Buffer Specifications

The following tables list guaranteed maximum and minimum specifications for the voltage and temperature ranges: 4.75 V to 5.25 V and $-40\text{ }^{\circ}\text{C} \leq T_A \leq 85\text{ }^{\circ}\text{C}$, or 3.0 V to 3.6 V and $-40\text{ }^{\circ}\text{C} \leq T_A \leq 85\text{ }^{\circ}\text{C}$, respectively. Typical parameters apply to 5 V and 3.3 V at 25 °C and are for design guidance only.

Table 35. 5-V AC Analog Output Buffer Specifications

Symbol	Description	Min	Typ	Max	Unit
t_{ROB}	Rising settling time to 0.1%, 1 V Step, 100 pF load Power = Low Power = High	–	–	4	μs
		–	–	4	μs
t_{SOB}	Falling settling time to 0.1%, 1 V step, 100 pF load Power = Low Power = High	–	–	3.4	μs
		–	–	3.4	μs
SR_{ROB}	Rising slew rate (20% to 80%), 1 V step, 100 pF load Power = Low Power = High	0.5	–	–	V/ μs
		0.5	–	–	V/ μs
SR_{FOB}	Falling slew rate (80% to 20%), 1 V step, 100 pF load Power = Low Power = High	0.55	–	–	V/ μs
		0.55	–	–	V/ μs
BW_{OB}	Small signal bandwidth, 20 mV _{pp} , 3 dB BW, 100 pF load Power = Low Power = High	0.8	–	–	MHz
		0.8	–	–	MHz
BW_{OB}	Large signal bandwidth, 1 V _{pp} , 3 dB BW, 100 pF load Power = Low Power = High	300	–	–	kHz
		300	–	–	kHz

Table 36. 3.3-V AC Analog Output Buffer Specifications

Symbol	Description	Min	Typ	Max	Unit
t_{ROB}	Rising settling time to 0.1%, 1 V Step, 100 pF load Power = Low Power = High	–	–	4.7	μs
		–	–	4.7	μs
t_{SOB}	Falling settling time to 0.1%, 1 V Step, 100 pF load Power = Low Power = High	–	–	4	μs
		–	–	4	μs
SR_{ROB}	Rising slew rate (20% to 80%), 1 V Step, 100 pF load Power = Low Power = High	0.36	–	–	V/ μs
		0.36	–	–	V/ μs
SR_{FOB}	Falling slew rate (80% to 20%), 1 V Step, 100 pF load Power = Low Power = High	0.40	–	–	V/ μs
		0.40	–	–	V/ μs
BW_{OB}	Small signal bandwidth, 20 mV _{pp} , 3 dB BW, 100 pF load Power = Low Power = High	0.7	–	–	MHz
		0.7	–	–	MHz
BW_{OB}	Large signal bandwidth, 1 V _{pp} , 3 dB BW, 100 pF load Power = Low Power = High	200	–	–	kHz
		200	–	–	kHz

AC External Clock Specifications

The following tables list guaranteed maximum and minimum specifications for the voltage and temperature ranges: 4.75 V to 5.25 V and $-40\text{ }^{\circ}\text{C} \leq T_A \leq 85\text{ }^{\circ}\text{C}$, or 3.0 V to 3.6 V and $-40\text{ }^{\circ}\text{C} \leq T_A \leq 85\text{ }^{\circ}\text{C}$, respectively. Typical parameters apply to 5 V and 3.3 V at 25 °C and are for design guidance only.

Table 37. 5-V AC External Clock Specifications

Symbol	Description	Min	Typ	Max	Unit
F_{OSCEXT}	Frequency	0.093	–	24.6	MHz
–	High period	20.6	–	5300	ns
–	Low period	20.6	–	–	ns
–	Power-up IMO to switch	150	–	–	μs

Table 38. 3.3-V AC External Clock Specifications

Symbol	Description	Min	Typ	Max	Unit
F _{OSCEXT}	Frequency with CPU clock divide by 1	0.093	–	12.3	MHz
F _{OSCEXT}	Frequency with CPU clock divide by 2 or greater	0.186	–	24.6	MHz
–	High period with CPU clock divide by 1	41.7	–	5300	ns
–	Low period with CPU clock divide by 1	41.7	–	–	ns
–	Power-up IMO to switch	150	–	–	μs

AC Programming Specifications

The following table lists guaranteed maximum and minimum specifications for the voltage and temperature ranges: 4.75 V to 5.25 V and $-40\text{ }^{\circ}\text{C} \leq T_A \leq 85\text{ }^{\circ}\text{C}$, or 3.0 V to 3.6 V and $-40\text{ }^{\circ}\text{C} \leq T_A \leq 85\text{ }^{\circ}\text{C}$, respectively. Typical parameters apply to 5 V and 3.3 V at 25 °C and are for design guidance only.

Table 39. AC Programming Specifications

Symbol	Description	Min	Typ	Max	Unit	Notes
t _{RSCLK}	Rise time of SCLK	1	–	20	ns	–
t _{FSCLK}	Fall time of SCLK	1	–	20	ns	–
t _{SSCLK}	Data setup time to falling edge of SCLK	40	–	–	ns	–
t _{HSCLK}	Data hold time from falling edge of SCLK	40	–	–	ns	–
F _{SCLK}	Frequency of SCLK	0	–	8	MHz	–
t _{ERASEB}	Flash erase time (block)	–	10	–	ms	–
t _{WRITE}	Flash block write time	–	40	–	ms	–
t _{DSCLK}	Data out delay from falling edge of SCLK	–	–	45	ns	V _{DD} > 3.6
t _{DSCLK3}	Data out delay from falling edge of SCLK	–	–	50	ns	3.0 ≤ V _{DD} ≤ 3.6
t _{ERASEALL}	Flash erase time (Bulk)	–	80	–	ms	Erase all blocks and protection fields at once
t _{PROGRAM_HOT}	Flash block erase + Flash block write time	–	–	100 ^[28]	ms	0 °C ≤ T _j ≤ 100 °C
t _{PROGRAM_COLD}	Flash block erase + Flash block write time	–	–	200 ^[28]	ms	-40 °C ≤ T _j ≤ 0 °C

Note

28. For the full industrial range, you must employ a temperature sensor user module (FlashTemp) and feed the result to the temperature argument before writing. Refer to the Flash APIs application note [Design Aids – Reading and Writing PSoC® Flash – AN2015](#) for more information.

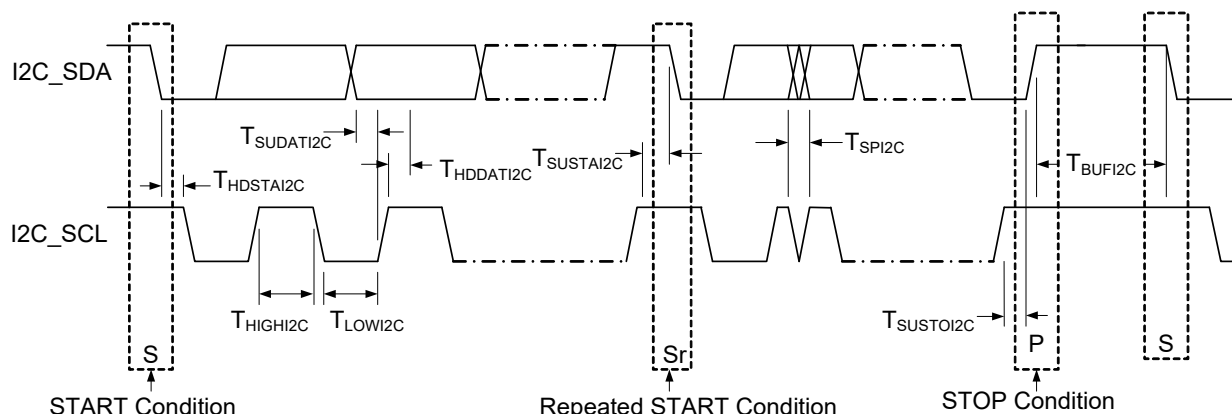
AC I²C Specifications

The following table lists guaranteed maximum and minimum specifications for the voltage and temperature ranges: 4.75 V to 5.25 V and $-40\text{ }^{\circ}\text{C} \leq T_A \leq 85\text{ }^{\circ}\text{C}$, or 3.0 V to 3.6 V and $-40\text{ }^{\circ}\text{C} \leq T_A \leq 85\text{ }^{\circ}\text{C}$, respectively. Typical parameters apply to 5 V and 3.3 V at 25 °C and are for design guidance only.

Table 40. AC Characteristics of the I²C SDA and SCL Pins

Symbol	Description	Standard Mode		Fast Mode		Unit
		Min	Max	Min	Max	
F _{SCL I2C}	SCL clock frequency	0	100	0	400	kHz
T _{HDSTAI2C}	Hold time (repeated) START condition. After this period, the first clock pulse is generated.	4.0	–	0.6	–	μs
T _{LOWI2C}	LOW period of the SCL clock	4.7	–	1.3	–	μs
T _{HIGHI2C}	HIGH period of the SCL clock	4.0	–	0.6	–	μs
T _{SUSTAI2C}	Setup time for a repeated START condition	4.7	–	0.6	–	μs
T _{HDDATI2C}	Data hold time	0	–	0	–	μs
T _{SUDATI2C}	Data setup time	250	–	100 ^[29]	–	ns
T _{SUSTOI2C}	Setup time for STOP condition	4.0	–	0.6	–	μs
T _{BUFI2C}	Bus free time between a STOP and START condition	4.7	–	1.3	–	μs
T _{SPI2C}	Pulse width of spikes are suppressed by the input filter.	–	–	0	50	ns

Figure 19. Definition for Timing for Fast/Standard Mode on the I²C Bus



Note

29. A fast-mode I²C-bus device can be used in a standard-mode I²C-bus system, but the requirement $t_{SU,DAT} \geq 250\text{ ns}$ must then be met. This is the automatic case if the device does not stretch the LOW period of the SCL signal. If such device does stretch the LOW period of the SCL signal, it must output the next data bit to the SDA line $t_{rmax} + t_{SU,DAT} = 1000 + 250 = 1250\text{ ns}$ (according to the standard-mode I²C-bus specification) before the SCL line is released.

Packaging Information

This section illustrates the packaging specifications for the CY8C29x66 PSoC device, along with the thermal impedances for each package and the typical package capacitance on crystal pins.

Important Note Emulation tools may require a larger area on the target PCB than the chip's footprint. For a detailed description of the emulation tools' dimensions, refer to the emulator pod drawings at <http://www.cypress.com>.

Packaging Dimensions

Figure 20. 28-pin PDIP (300 Mils) Package Outline, 51-85014

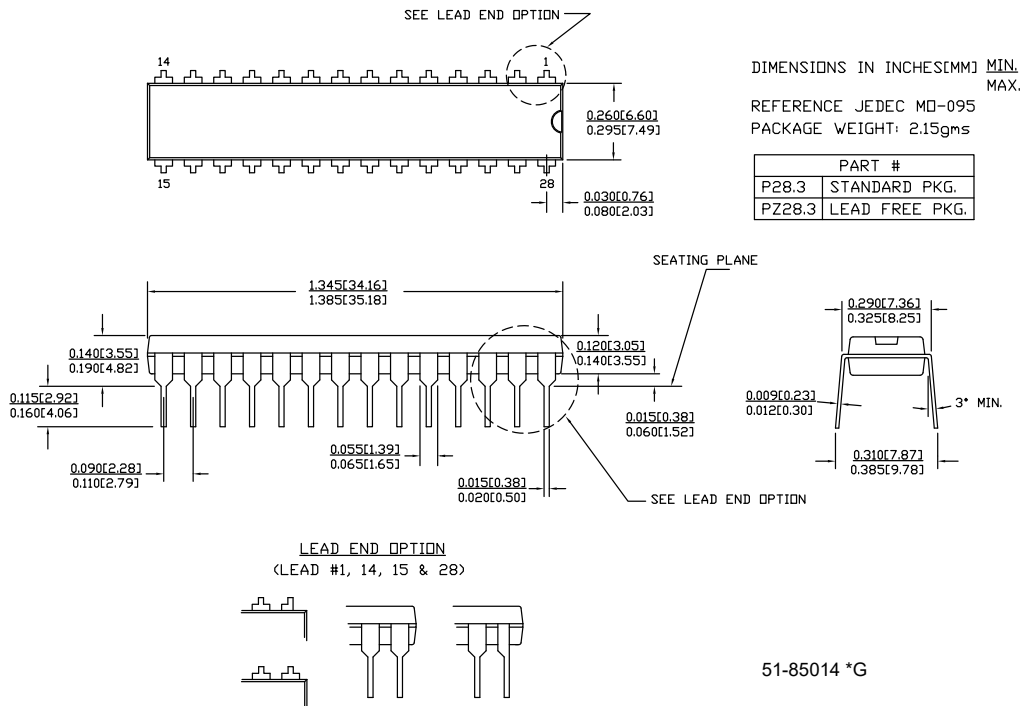


Figure 21. 28-pin SSOP (210 Mils) Package Outline, 51-85079

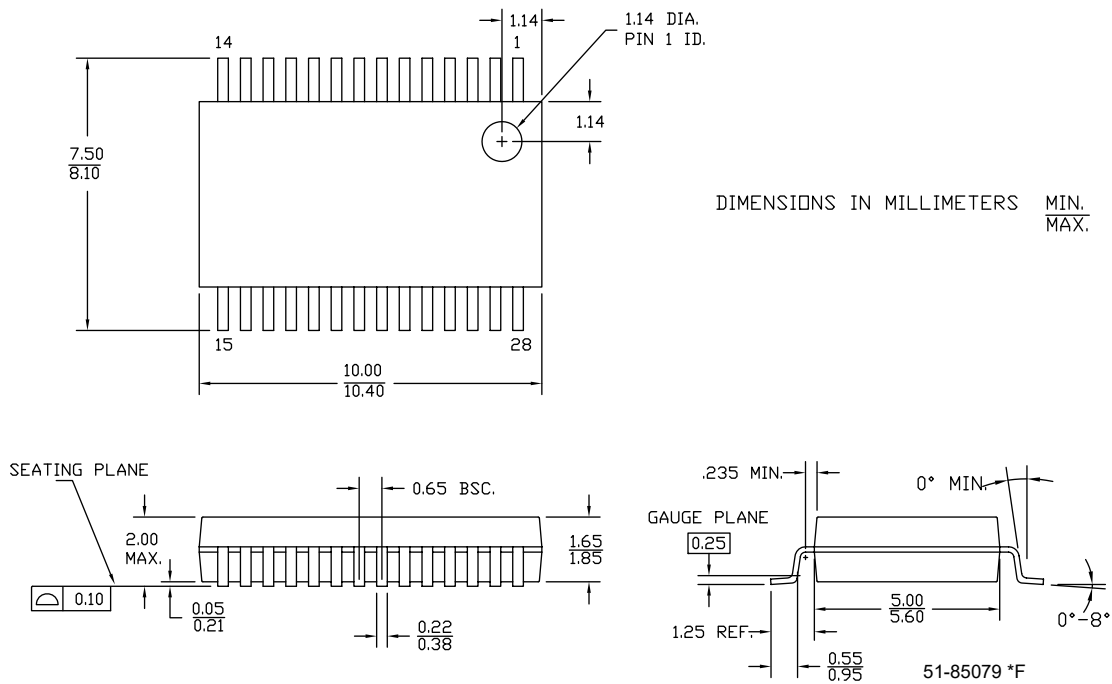


Figure 22. 28-pin SOIC (0.713 × 0.300 × 0.0932 Inches) Package Outline, 51-85026

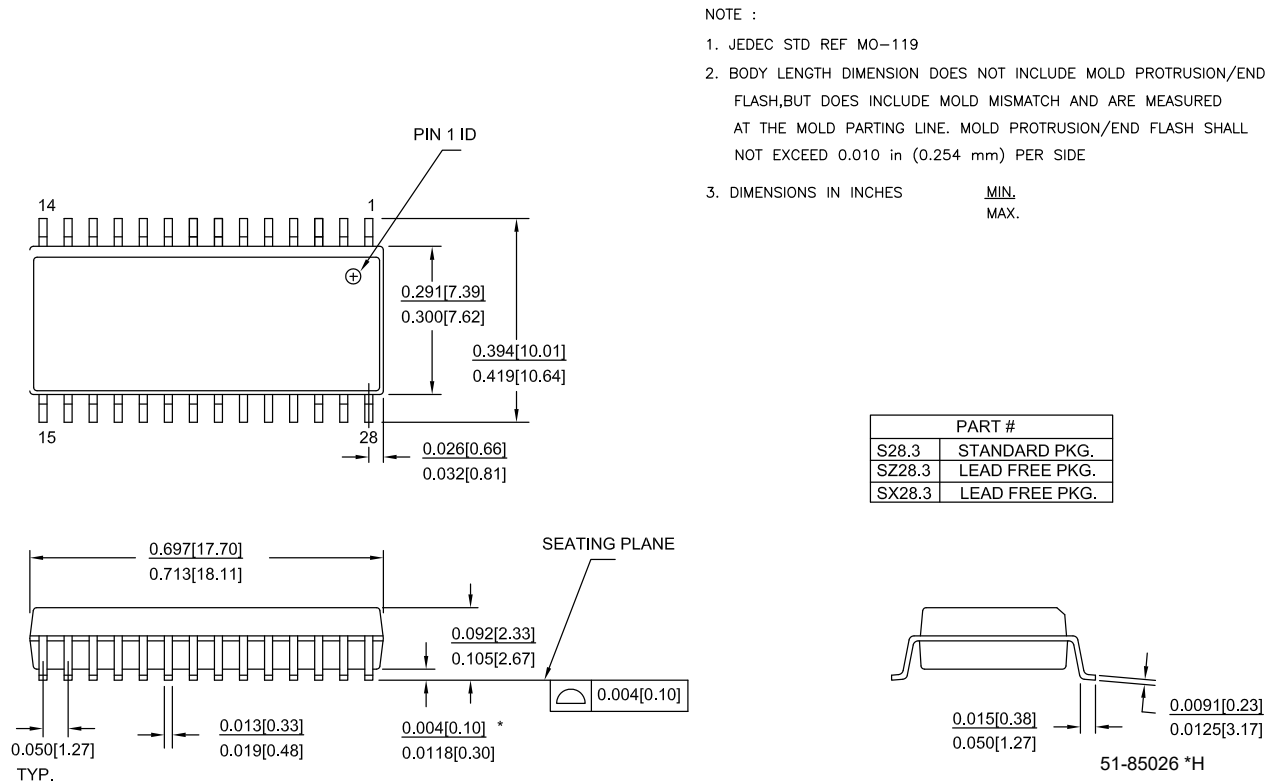


Figure 23. 44-pin TQFP (10 × 10 × 1.4 mm) Package Outline, 51-85064

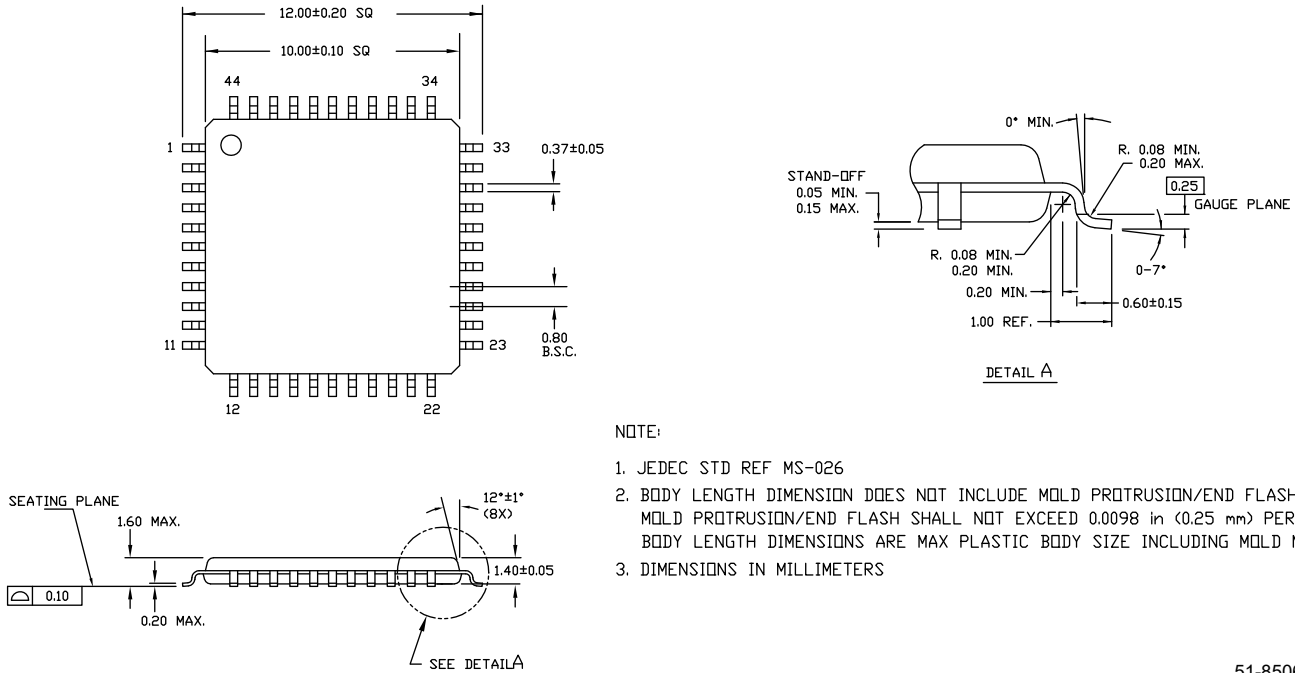


Figure 24. 48-pin SSOP (300 Mils) Package Outline, 51-85061

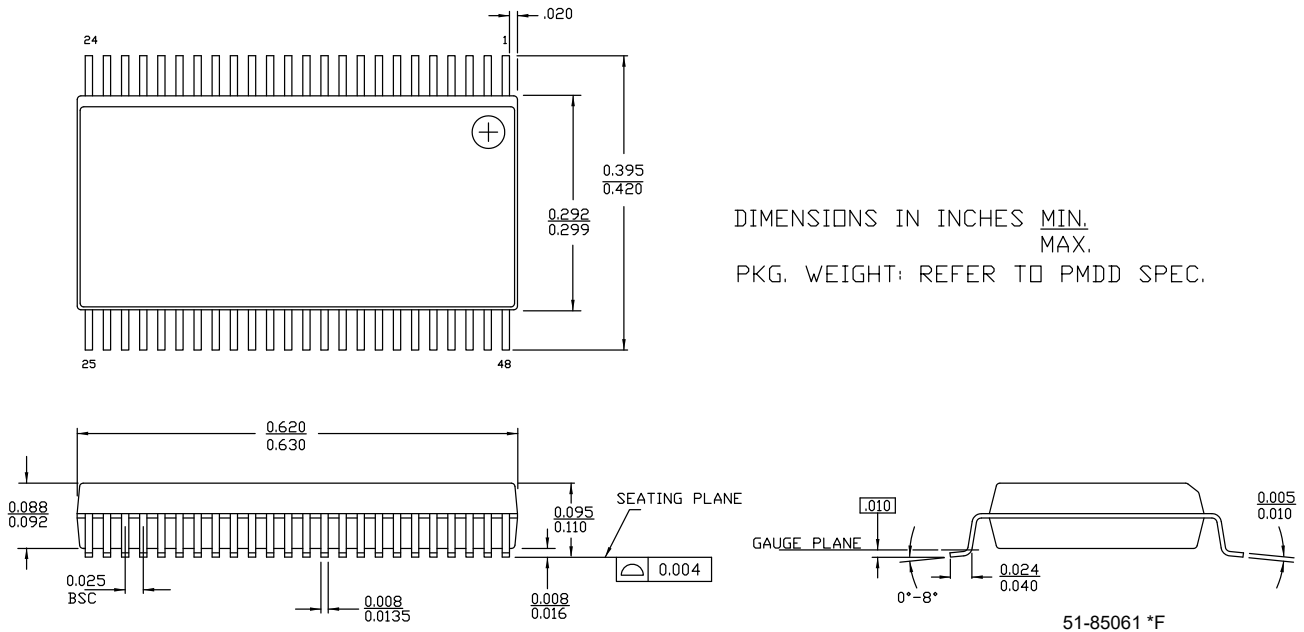
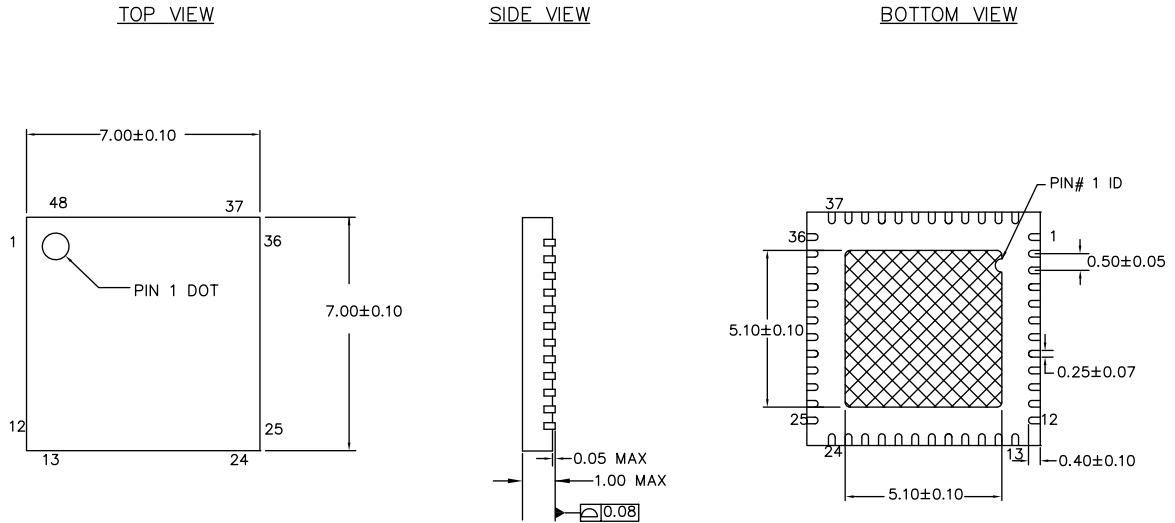


Figure 25. 48-pin QFN (7 × 7 × 1.0 mm) 5.1 × 5.1 E-Pad (Sawn) Package Outline, 001-13191

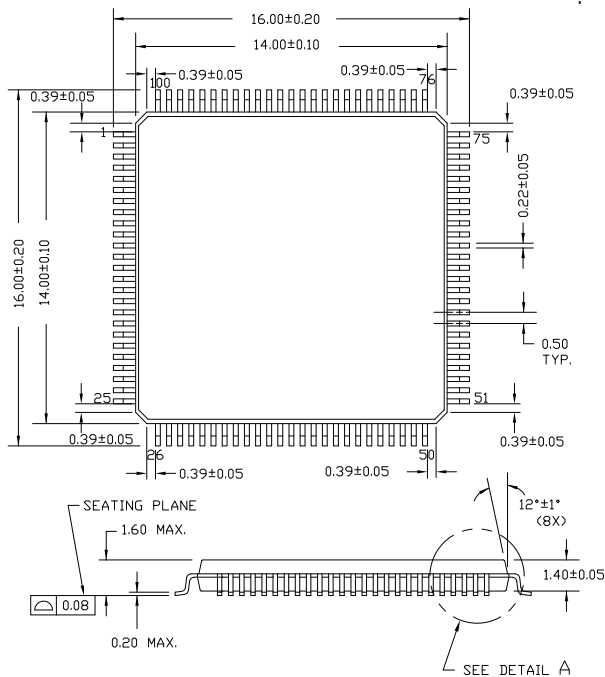


NOTES:

1. HATCH AREA IS SOLDERABLE EXPOSED METAL.
2. REFERENCE JEDEC#: MO-220
3. PACKAGE WEIGHT: 13 ± 1 mg

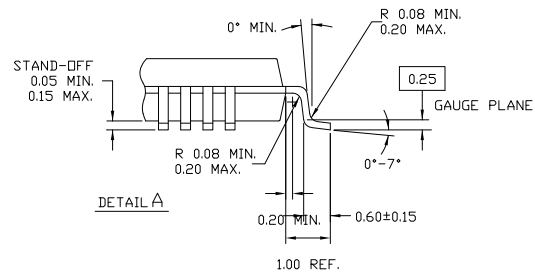
001-13191 *H

Figure 26. 100-pin TQFP (14 × 14 × 1.4 mm) Package Outline, 51-85048

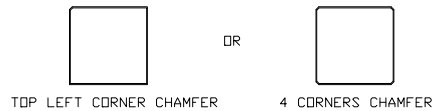


NOTE:

1. JEDEC STD REF MS-026
2. BODY LENGTH DIMENSION DOES NOT INCLUDE MOLD PROTRUSION/END FLASH
MOLD PROTRUSION/END FLASH SHALL NOT EXCEED 0.0098 in (0.25 mm) PER SIDE
BODY LENGTH DIMENSIONS ARE MAX PLASTIC BODY SIZE INCLUDING MOLD MISMATCH
3. DIMENSIONS IN MILLIMETERS



NOTE: PKG. CAN HAVE



51-85048 *K

Important Note For information on the preferred dimensions for mounting the QFN packages, see the application note *Design Guidelines for Cypress Quad Flat No Extended Lead (QFN) Packaged Devices – AN72845* available at <http://www.cypress.com>.

Important Note Pinned vias for thermal conduction are not required for the low-power PSoC device.

Thermal Impedances

Table 41. Thermal Impedances per Package

Package	Typical θ_{JA} ^[30]
28-pin PDIP	69 °C/W
28-pin SSOP	94 °C/W
28-pin SOIC	67 °C/W
44-pin TQFP	60 °C/W
48-pin SSOP	69 °C/W
48-pin QFN ^[31]	28 °C/W
100-pin TQFP	50 °C/W

Capacitance on Crystal Pins

Table 42. Typical Package Capacitance on Crystal Pins

Package	Package Capacitance
28-pin PDIP	3.5 pF
28-pin SSOP	2.8 pF
28-pin SOIC	2.7 pF
44-pin TQFP	2.6 pF
48-pin SSOP	3.3 pF
48-pin QFN	1.8 pF
100-pin TQFP	3.1 pF

Solder Reflow Specifications

Table 43 shows the solder reflow temperature limits that must not be exceeded.

Table 43. Solder Reflow Specifications

Package	Maximum Peak Temperature (T _C)	Maximum Time above T _C – 5 °C
28-pin PDIP	260 °C	30 seconds
28-pin SSOP	260 °C	30 seconds
28-pin SOIC	260 °C	30 seconds
44-pin TQFP	260 °C	30 seconds
48-pin SSOP	260 °C	30 seconds
48-pin QFN	260 °C	30 seconds
100-pin TQFP	260 °C	30 seconds

Notes

30. $T_J = T_A + \text{POWER} \times \theta_{JA}$

31. To achieve the thermal impedance specified for the QFN package, refer to the application note *Design Guidelines for Cypress Quad Flat No Extended Lead (QFN) Packaged Devices – AN72845* available at <http://www.cypress.com>.

Development Tool Selection

This section presents the development tools available for all current PSoC device families including the CY8C29x66 family.

Software

PSoC Designer™

At the core of the PSoC development software suite is PSoC Designer, used to generate PSoC firmware applications. PSoC Designer is available free of charge at <http://www.cypress.com> and includes a free C compiler.

PSoC Programmer

Flexible enough to be used on the bench in development, yet suitable for factory programming, PSoC Programmer works either as a standalone programming application or it can operate directly from PSoC Designer or PSoC Express. PSoC Programmer software is compatible with both PSoC ICE-Cube In-Circuit Emulator and PSoC MiniProg. PSoC programmer is available free of charge at <http://www.cypress.com>.

Development Kits

All development kits can be purchased from the Cypress Online Store.

CY3215-DK Basic Development Kit

The **CY3215-DK** is for prototyping and development with PSoC Designer. This kit supports in-circuit emulation and the software interface allows users to run, halt, and single step the processor and view the content of specific memory locations. Advance emulation features also supported through PSoC Designer. The kit includes:

- PSoC Designer software CD
- ICE-Cube In-Circuit Emulator
- ICE Flex-Pod for CY8C29x66 family
- Cat-5 adapter
- Mini-Eval programming board
- 110 ~ 240 V power supply, Euro-Plug adapter
- iMAGEcraft C compiler
- ISSP cable
- USB 2.0 cable and Blue Cat-5 cable

Evaluation Tools

All evaluation tools can be purchased from the Cypress online store.

CY3210-MiniProg1

The **CY3210-MiniProg1** kit allows a user to program PSoC devices via the MiniProg1 programming unit. The MiniProg is a small, compact prototyping programmer that connects to the PC via a provided USB 2.0 cable. The kit includes:

- MiniProg programming unit
- MiniEval socket programming and evaluation board
- 28-pin CY8C27443-24PXI PDIP PSoC device sample
- PSoC Designer software CD
- Getting Started guide
- USB 2.0 cable

CY3210-PSoCEval1

The **CY3210-PSoCEval1** kit features an evaluation board and the MiniProg1 programming unit. The evaluation board includes an LCD module, potentiometer, LEDs, and plenty of bread-boarding space to meet all of your evaluation needs. The kit includes:

- Evaluation board with LCD module
- MiniProg programming unit
- PSoC Designer software CD
- Getting Started guide
- USB 2.0 cable

CY3214-PSoCEvalUSB

The **CY3214-PSoCEvalUSB** evaluation kit features a development board for the CY8C24794-24LFXI PSoC device. Special features of the board include both USB and capacitive sensing development and debugging support. This evaluation board also includes an LCD module, potentiometer, LEDs, an enunciator and plenty of bread boarding space to meet all of your evaluation needs. The kit includes:

- PSoCEvalUSB board
- LCD module
- MiniProg programming unit
- Mini USB cable
- PSoC Designer and example projects CD
- Getting Started guide
- Wire pack

Device Programmers

All device programmers can be purchased from the Cypress Online Store.

CY3216 Modular Programmer

The [CY3216 Modular Programmer kit](#) features a modular programmer and the MiniProg1 programming unit. The modular programmer includes three programming module cards and supports multiple Cypress products. The kit includes:

- Modular programmer base
- Three programming module cards
- MiniProg programming unit
- PSoC Designer software CD
- Getting Started guide
- USB 2.0 cable

CY3207ISSP In-System Serial Programmer (ISSP)

The [CY3207ISSP](#) is a production programmer. It includes protection circuitry and an industrial case that is more robust than the MiniProg in a production-programming environment.

Note CY3207ISSP needs special software and is not compatible with PSoC Programmer. The kit includes:

- CY3207 programmer unit
- PSoC ISSP software CD
- 110 ~ 240 V power supply, Euro-Plug adapter
- USB 2.0 cable

Accessories (Emulation and Programming)

Table 44. Emulation and Programming Accessories

Part #	Pin Package	Flex-Pod Kit ^[32]	Foot Kit ^[33]	Adapter ^[34]
CY8C29466-24PVXI	28-pin SSOP	CY3250-29XXX	CY3250-28SSOP-FK	Adapters can be found at http://www.emulation.com .
CY8C29466-24SXI	28-pin SOIC	CY3250-29XXX	CY3250-28SOIC-FK	
CY8C29566-24AXI	44-pin TQFP	CY3250-29XXX	CY3250-44TQFP-FK	
CY8C29666-24PVXI	48-pin SSOP	CY3250-29XXX	CY3250-48SSOP-FK	
CY8C29666-24LTXI	48-pin QFN	CY3250-29XXXQFN	CY3250-48QFN-FK	
CY8C29866-24AXI	100-pin TQFP	CY3250-29XXX	CY3250-100TQFP-FK	

Notes

32. Flex-Pod kit includes a practice flex-pod and a practice PCB, in addition to two flex-pods.

33. Foot kit includes surface mount feet that can be soldered to the target PCB.

34. Programming adapter converts non-DIP package to DIP footprint. Specific details and ordering information for each of the adapters can be found at <http://www.emulation.com>

Ordering Information

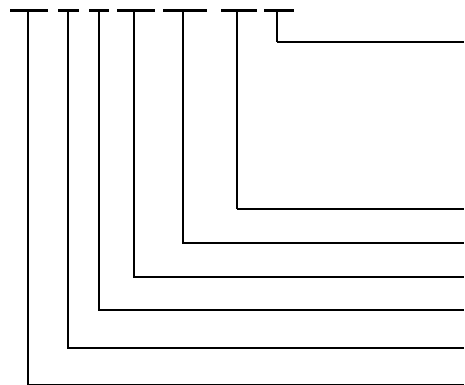
The following table lists the CY8C29x66 PSoC device's key package features and ordering codes.

Package	Ordering Code	Flash (KB)	RAM (KB)	Switch Mode Pump	Temperature Range	Digital PSoC Blocks	Analog PSoC Blocks	Digital I/O Pins	Analog Inputs	Analog Outputs	XRES Pin
28-pin (210-mil) SSOP (Tape and Reel)	CY8C29466-24PVXIT	32	2	Yes	-40 °C to +85 °C	16	12	24	12	4	Yes
28-pin (300-mil) SOIC	CY8C29466-24SXI	32	2	Yes	-40 °C to +85 °C	16	12	24	12	4	Yes
28-pin (300-mil) SOIC (Tape and Reel)	CY8C29466-24SXIT	32	2	Yes	-40 °C to +85 °C	16	12	24	12	4	Yes
44-pin TQFP	CY8C29566-24AXI	32	2	Yes	-40 °C to +85 °C	16	12	40	12	4	Yes
44-pin TQFP (Tape and Reel)	CY8C29566-24AXIT	32	2	Yes	-40 °C to +85 °C	16	12	40	12	4	Yes
48-pin (300-mil) SSOP	CY8C29666-24PVXI	32	2	Yes	-40 °C to +85 °C	16	12	44	12	4	Yes
48-pin (300-mil) SSOP (Tape and Reel)	CY8C29666-24PVXIT	32	2	Yes	-40 °C to +85 °C	16	12	44	12	4	Yes
100-Pin OCD TQFP ^[35]	CY8C29000-24AXI	32	2	Yes	-40 °C to +85 °C	16	12	64	12	4	Yes
48-Pin (7 × 7 × 1.0 mm) QFN (Sawn)	CY8C29666-24LTXI	32	2	Yes	-40 °C to +85 °C	16	12	44	12	4	Yes
48-Pin (7 × 7 × 1.0 mm) QFN (Sawn)	CY8C29666-24LTXIT	32	2	Yes	-40 °C to +85 °C	16	12	44	12	4	Yes

Note For Die sales information, contact a local Cypress sales office or field applications engineer (FAE).

Ordering Code Definitions

CY 8 C 29 xxx-SPxx



Package Type: Thermal Rating:
 PX = PDIP Pb-free C = Commercial
 SX = SOIC Pb-free I = Industrial
 PVX = SSOP Pb-free E = Extended
 LFX/LKX/LTX/LQX/LCX = QFN Pb-free
 AX = TQFP Pb-free
 Speed: 24 MHz
 Part Number
 Family Code
 Technology Code: C = CMOS
 Marketing Code: 8 = Cypress PSoC
 Company ID: CY = Cypress

Note

35. This part may be used for in-circuit debugging. It is NOT available for production.

Acronyms

Table 45 lists the acronyms that are used in this document.

Table 45. Acronyms Used in this Datasheet

Acronym	Description	Acronym	Description
AC	alternating current	MIPS	million instructions per second
ADC	analog-to-digital converter	OCD	on-chip debug
API	application programming interface	PCB	printed circuit board
CMOS	complementary metal oxide semiconductor	PDIP	plastic dual-in-line package
CPU	central processing unit	PGA	programmable gain amplifier
CRC	cyclic redundancy check	PLL	phase-locked loop
CT	continuous time	POR	power on reset
DAC	digital-to-analog converter	PPOR	precision power on reset
DC	direct current	PRS	pseudo-random sequence
DTMF	dual-tone multi-frequency	PSoC [®]	Programmable System-on-Chip
ECO	external crystal oscillator	PWM	pulse width modulator
EEPROM	electrically erasable programmable read-only memory	QFN	quad flat no leads
GPIO	general purpose I/O	RTC	real time clock
ICE	in-circuit emulator	SAR	successive approximation
IDE	integrated development environment	SC	switched capacitor
ILO	internal low speed oscillator	SMP	switch mode pump
IMO	internal main oscillator	SOIC	small-outline integrated circuit
I/O	input/output	SPI	serial peripheral interface
IrDA	infrared data association	SRAM	static random access memory
ISSP	in-system serial programming	SROM	supervisory read only memory
LCD	liquid crystal display	SSOP	shrink small-outline package
LED	light-emitting diode	TQFP	thin quad flat pack
LPC	low power comparator	UART	universal asynchronous receiver / transmitter
LVD	low voltage detect	USB	universal serial bus
MAC	multiply-accumulate	WDT	watchdog timer
MCU	microcontroller unit	XRES	external reset

Reference Documents

CY8CPLC20, CY8CLED16P01, CY8C29x66, CY8C27x43, CY8C24x94, CY8C24x23, CY8C24x23A, CY8C22x13, CY8C21x34, CY8C21x23, CY7C64215, CY7C603xx, CY8CNP1xx, and CYWUSB6953 PSoC[®] Programmable System-on-Chip Technical Reference Manual (TRM) (001-14463)

Design Aids – Reading and Writing PSoC[®] Flash - AN2015 (001-40459)

Design Guidelines for Cypress Quad Flat No Extended Lead (QFN) Packaged Devices – AN72845 available at <http://www.cypress.com>.

Document Conventions

Units of Measure

Table 46 lists the unit of measures.

Table 46. Units of Measure

Symbol	Unit of Measure	Symbol	Unit of Measure
dB	decibels	ms	millisecond
°C	degree Celsius	ns	nanosecond
fF	femto farad	ps	picosecond
pF	picofarad	μV	microvolts
kHz	kilohertz	mV	millivolts
MHz	megahertz	mVpp	millivolts peak-to-peak
rt-Hz	root hertz	nV	nanovolts
kΩ	kilohm	V	volts
Ω	ohm	μW	microwatts
μA	microampere	W	watt
mA	milliampere	mm	millimeter
nA	nanoampere	ppm	parts per million
pA	pikoampere	%	percent
μs	microsecond		

Numeric Conventions

Hexadecimal numbers are represented with all letters in uppercase with an appended lowercase 'h' (for example, '14h' or '3Ah'). Hexadecimal numbers may also be represented by a '0x' prefix, the C coding convention. Binary numbers have an appended lowercase 'b' (for example, '01010100b' or '01000011b'). Numbers not indicated by an 'h', 'b', or 0x are decimals.

Glossary

active high	<ol style="list-style-type: none"> 1. A logic signal having its asserted state as the logic 1 state. 2. A logic signal having the logic 1 state as the higher voltage of the two states.
analog blocks	The basic programmable opamp circuits. These are SC (switched capacitor) and CT (continuous time) blocks. These blocks can be interconnected to provide ADCs, DACs, multi-pole filters, gain stages, and much more.
analog-to-digital (ADC)	A device that changes an analog signal to a digital signal of corresponding magnitude. Typically, an ADC converts a voltage to a digital number. The digital-to-analog (DAC) converter performs the reverse operation.
Application programming interface (API)	A series of software routines that comprise an interface between a computer application and lower level services and functions (for example, user modules and libraries). APIs serve as building blocks for programmers that create software applications.
asynchronous	A signal whose data is acknowledged or acted upon immediately, irrespective of any clock signal.
bandgap reference	A stable voltage reference design that matches the positive temperature coefficient of V_T with the negative temperature coefficient of V_{BE} , to produce a zero temperature coefficient (ideally) reference.
bandwidth	<ol style="list-style-type: none"> 1. The frequency range of a message or information processing system measured in hertz. 2. The width of the spectral region over which an amplifier (or absorber) has substantial gain (or loss); it is sometimes represented more specifically as, for example, full width at half maximum.

Glossary (continued)

bias	<ol style="list-style-type: none">1. A systematic deviation of a value from a reference value.2. The amount by which the average of a set of values departs from a reference value.3. The electrical, mechanical, magnetic, or other force (field) applied to a device to establish a reference level to operate the device.
block	<ol style="list-style-type: none">1. A functional unit that performs a single function, such as an oscillator.2. A functional unit that may be configured to perform one of several functions, such as a digital PSoC block or an analog PSoC block.
buffer	<ol style="list-style-type: none">1. A storage area for data that is used to compensate for a speed difference, when transferring data from one device to another. Usually refers to an area reserved for IO operations, into which data is read, or from which data is written.2. A portion of memory set aside to store data, often before it is sent to an external device or as it is received from an external device.3. An amplifier used to lower the output impedance of a system.
bus	<ol style="list-style-type: none">1. A named connection of nets. Bundling nets together in a bus makes it easier to route nets with similar routing patterns.2. A set of signals performing a common function and carrying similar data. Typically represented using vector notation; for example, address[7:0].3. One or more conductors that serve as a common connection for a group of related devices.
clock	The device that generates a periodic signal with a fixed frequency and duty cycle. A clock is sometimes used to synchronize different logic blocks.
comparator	An electronic circuit that produces an output voltage or current whenever two input levels simultaneously satisfy predetermined amplitude requirements.
compiler	A program that translates a high level language, such as C, into machine language.
configuration space	In PSoC devices, the register space accessed when the XIO bit, in the CPU_F register, is set to '1'.
crystal oscillator	An oscillator in which the frequency is controlled by a piezoelectric crystal. Typically a piezoelectric crystal is less sensitive to ambient temperature than other circuit components.
cyclic redundancy check (CRC)	A calculation used to detect errors in data communications, typically performed using a linear feedback shift register. Similar calculations may be used for a variety of other purposes such as data compression.
data bus	A bi-directional set of signals used by a computer to convey information from a memory location to the central processing unit and vice versa. More generally, a set of signals used to convey data between digital functions.
debugger	A hardware and software system that allows you to analyze the operation of the system under development. A debugger usually allows the developer to step through the firmware one step at a time, set break points, and analyze memory.
dead band	A period of time when neither of two or more signals are in their active state or in transition.
digital blocks	The 8-bit logic blocks that can act as a counter, timer, serial receiver, serial transmitter, CRC generator, pseudo-random number generator, or SPI.
digital-to-analog (DAC)	A device that changes a digital signal to an analog signal of corresponding magnitude. The analog-to-digital (ADC) converter performs the reverse operation.

Glossary (continued)

duty cycle	The relationship of a clock period high time to its low time, expressed as a percent.
emulator	Duplicates (provides an emulation of) the functions of one system with a different system, so that the second system appears to behave like the first system.
External Reset (XRES)	An active high signal that is driven into the PSoC device. It causes all operation of the CPU and blocks to stop and return to a pre-defined state.
Flash	An electrically programmable and erasable, non-volatile technology that provides you the programmability and data storage of EPROMs, plus in-system erasability. Non-volatile means that the data is retained when power is OFF.
Flash block	The smallest amount of Flash ROM space that may be programmed at one time and the smallest amount of Flash space that may be protected. A Flash block holds 64 bytes.
frequency	The number of cycles or events per unit of time, for a periodic function.
gain	The ratio of output current, voltage, or power to input current, voltage, or power, respectively. Gain is usually expressed in dB.
I ² C	A two-wire serial computer bus by Philips Semiconductors (now NXP Semiconductors). I ² C is an Inter-Integrated Circuit. It is used to connect low-speed peripherals in an embedded system. The original system was created in the early 1980s as a battery control interface, but it was later used as a simple internal bus system for building control electronics. I ² C uses only two bi-directional pins, clock and data, both running at +5 V and pulled high with resistors. The bus operates at 100 kbits/second in standard mode and 400 kbits/second in fast mode.
ICE	The in-circuit emulator that allows you to test the project in a hardware environment, while viewing the debugging device activity in a software environment (PSoC Designer).
input/output (I/O)	A device that introduces data into or extracts data from a system.
interrupt	A suspension of a process, such as the execution of a computer program, caused by an event external to that process, and performed in such a way that the process can be resumed.
interrupt service routine (ISR)	A block of code that normal code execution is diverted to when the M8C receives a hardware interrupt. Many interrupt sources may each exist with its own priority and individual ISR code block. Each ISR code block ends with the RETI instruction, returning the device to the point in the program where it left normal program execution.
jitter	<ol style="list-style-type: none">1. A misplacement of the timing of a transition from its ideal position. A typical form of corruption that occurs on serial data streams.2. The abrupt and unwanted variations of one or more signal characteristics, such as the interval between successive pulses, the amplitude of successive cycles, or the frequency or phase of successive cycles.
low-voltage detect (LVD)	A circuit that senses V_{DD} and provides an interrupt to the system when V_{DD} falls lower than a selected threshold.
M8C	An 8-bit Harvard-architecture microprocessor. The microprocessor coordinates all activity inside a PSoC by interfacing to the Flash, SRAM, and register space.
master device	A device that controls the timing for data exchanges between two devices. Or when devices are cascaded in width, the master device is the one that controls the timing for data exchanges between the cascaded devices and an external interface. The controlled device is called the slave device .

Glossary (continued)

microcontroller	An integrated circuit chip that is designed primarily for control systems and products. In addition to a CPU, a microcontroller typically includes memory, timing circuits, and IO circuitry. The reason for this is to permit the realization of a controller with a minimal quantity of chips, thus achieving maximal possible miniaturization. This in turn, reduces the volume and the cost of the controller. The microcontroller is normally not used for general-purpose computation as is a microprocessor.
mixed-signal	The reference to a circuit containing both analog and digital techniques and components.
modulator	A device that imposes a signal on a carrier.
noise	<ol style="list-style-type: none">1. A disturbance that affects a signal and that may distort the information carried by the signal.2. The random variations of one or more characteristics of any entity such as voltage, current, or data.
oscillator	A circuit that may be crystal controlled and is used to generate a clock frequency.
parity	A technique for testing transmitting data. Typically, a binary digit is added to the data to make the sum of all the digits of the binary data either always even (even parity) or always odd (odd parity).
Phase-locked loop (PLL)	An electronic circuit that controls an oscillator so that it maintains a constant phase angle relative to a reference signal.
pinouts	The pin number assignment: the relation between the logical inputs and outputs of the PSoC device and their physical counterparts in the printed circuit board (PCB) package. Pinouts involve pin numbers as a link between schematic and PCB design (both being computer generated files) and may also involve pin names.
port	A group of pins, usually eight.
Power on reset (POR)	A circuit that forces the PSoC device to reset when the voltage is lower than a pre-set level. This is a type of hardware reset.
PSoC®	Cypress Semiconductor's PSoC® is a registered trademark and Programmable System-on-Chip™ is a trademark of Cypress.
PSoC Designer™	The software for Cypress' Programmable System-on-Chip technology.
pulse width modulator (PWM)	An output in the form of duty cycle which varies as a function of the applied measurand
RAM	An acronym for random access memory. A data-storage device from which data can be read out and new data can be written in.
register	A storage device with a specific capacity, such as a bit or byte.
reset	A means of bringing a system back to a know state. See hardware reset and software reset.
ROM	An acronym for read only memory. A data-storage device from which data can be read out, but new data cannot be written in.
serial	<ol style="list-style-type: none">1. Pertaining to a process in which all events occur one after the other.2. Pertaining to the sequential or consecutive occurrence of two or more related activities in a single device or channel.
settling time	The time it takes for an output signal or value to stabilize after the input has changed from one value to another.

Glossary (continued)

shift register	A memory storage device that sequentially shifts a word either left or right to output a stream of serial data.
slave device	A device that allows another device to control the timing for data exchanges between two devices. Or when devices are cascaded in width, the slave device is the one that allows another device to control the timing of data exchanges between the cascaded devices and an external interface. The controlling device is called the master device.
SRAM	An acronym for static random access memory. A memory device where you can store and retrieve data at a high rate of speed. The term static is used because, after a value is loaded into an SRAM cell, it remains unchanged until it is explicitly altered or until power is removed from the device.
SROM	An acronym for supervisory read only memory. The SROM holds code that is used to boot the device, calibrate circuitry, and perform Flash operations. The functions of the SROM may be accessed in normal user code, operating from Flash.
stop bit	A signal following a character or block that prepares the receiving device to receive the next character or block.
synchronous	<ol style="list-style-type: none">1. A signal whose data is not acknowledged or acted upon until the next active edge of a clock signal.2. A system whose operation is synchronized by a clock signal.
tri-state	A function whose output can adopt three states: 0, 1, and Z (high-impedance). The function does not drive any value in the Z state and, in many respects, may be considered to be disconnected from the rest of the circuit, allowing another output to drive the same net.
UART	A UART or universal asynchronous receiver-transmitter translates between parallel bits of data and serial bits.
user modules	Pre-build, pre-tested hardware/firmware peripheral functions that take care of managing and configuring the lower level Analog and Digital PSoC Blocks. User Modules also provide high level API (Application Programming Interface) for the peripheral function.
user space	The bank 0 space of the register map. The registers in this bank are more likely to be modified during normal program execution and not just during initialization. Registers in bank 1 are most likely to be modified only during the initialization phase of the program.
V_{DD}	A name for a power net meaning “voltage drain.” The most positive power supply signal. Usually 5 V or 3.3 V.
V_{SS}	A name for a power net meaning “voltage source.” The most negative power supply signal.
watchdog timer	A timer that must be serviced periodically. If it is not serviced, the CPU resets after a specified period of time.

Errata

This section describes the errata for the PSoC Programmable System-on-Chip, CY8C29xxx family of devices. Details include errata trigger conditions, scope of impact, available workaround, and silicon revision applicability. Contact your local Cypress Sales Representative if you have questions.

Part Numbers Affected

Part Number	Ordering Information
CY8C29xxx	CY8C29466-24PVXI
	CY8C29466-24PVXIT
	CY8C29466-24SXI
	CY8C29466-24SXIT
	CY8C29566-24AXI
	CY8C29566-24AXIT
	CY8C29666-24PVXI
	CY8C29666-24PVXIT
	CY8C29666-24LFXI
	CY8C29866-24AXI
	CY8C29000-24AXI

Qualification Status

Product Status: In Production

Errata Summary

The following table defines the errata applicability to available CY8C29xxx family devices.

Items	Part Number	Silicon Revision	Fix Status
[1]. Invalid Flash reads may occur if VDD is pulled to -0.5 V just before power-on	CY8C29xxx	A	No silicon fix is planned. Workaround is required.
[2]. Internal main oscillator (IMO) tolerance deviation at temperature extremes	CY8C29xxx	A	No silicon fix planned. Workaround is required.

1. Invalid Flash reads may occur if VDD is pulled to -0.5 V just before power-on

■ Problem Definition

When V_{DD} of the device is pulled below ground just before power-on; the first read from each 8 K Flash bank may be corrupted. This issue does not affect Flash bank 0 because it is the selected bank upon reset.

■ Parameters Affected

When VDD is pulled below ground prior to power-on, an internal Flash reference may deviate from its nominal voltage. The reference deviation tends to result in the first Flash read from that bank returning 0xFF. During the first read from each bank, the reference is reset resulting in all future reads returning the correct value. A short delay of 5 μ s before the first real read provides time for the reference voltage to stabilize. When V_{DD} of the device is pulled below ground just before power-on; the first read from each 8K Flash bank may be corrupted apart from Flash bank 0. This can be solved by doing a dummy read from each Flash bank prior to use of the Flash banks.

■ Workaround

To prevent an invalid Flash read, a dummy read from each Flash bank must occur prior to use of the Flash banks. A delay of 5 μ s must occur after the dummy read and before a real read. The dummy reads should occur as soon as possible and must be located in Flash bank 0 prior to a read from any other Flash bank. An example for reading a byte of memory from each Flash bank is listed below and should be placed in boot.tpl and boot.asm immediately after the 'start:' label.

```
// dummy read from each 8 K Flash bank
```

```
// bank 1
mov A, 0x20    // MSB
mov X, 0x00    // LSB
romx
// bank 2
mov A, 0x40    // MSB
mov X, 0x00    // LSB
romx
// bank 3
mov A, 0x60    // MSB
mov X, 0x00    // LSB
romx
// wait at least 5 µs
mov X, 14
loop1:
dec X
jnz loop1
```

2. Internal main oscillator (IMO) tolerance deviation at temperature extremes

■ Problem Definition

Asynchronous digital communications interfaces may fail framing beyond 0 to 70 °C. This problem does not affect end-product usage between 0 and 70 °C.

■ Parameters Affected

The IMO frequency tolerance. The worst case deviation when operated below 0 °C and above +70 °C and within the upper and lower datasheet temperature range is ±5%.

■ Trigger Condition(S)

The asynchronous Rx/Tx clock source IMO frequency tolerance may deviate beyond the data sheet limit of ±2.5% when operated beyond the temperature range of 0 to +70 °C.

■ Scope of Impact

This problem may affect UART, IrDA, and FSK implementations.

■ Workaround

Implement a quartz crystal stabilized clock source on at least one end of the asynchronous digital communications interface.

■ Fix Status

Silicon fix is not planned. The workaround mentioned above should be used.

Document History Page

Document Title: CY8C29466/CY8C29566/CY8C29666/CY8C29866, PSoC [®] Programmable System-on-Chip™ Document Number: 38-12013			
Revision	ECN	Submission Date	Description of Change
**	131151	11/13/2003	New document (Revision **).
*A	132848	01/21/2004	New information. First edition of preliminary datasheet.
*B	133205	01/27/2004	Changed part numbers, increased SRAM data storage to 2 K bytes.
*C	133656	02/09/2004	Changed part numbers and removed a 28-pin SOIC.
*D	227240	06/10/04	Changes to Overview section, 48-pin MLF pinout, and significant changes to the Electrical Specs.
*E	240108	See ECN	Added a 28-lead (300 mil) SOIC part.
*F	247492	See ECN	New information added to the Electrical Specifications chapter.
*G	288849	See ECN	Add DS standards, update device table, fine-tune pinouts, add Reflow Peak Temp. table. Finalize.
*H	722736	See ECN	Add QFN package clarifications. Add new QFN diagram. Add Low Power Comparator (LPC) AC/DC electrical spec. tables. Add CY8C20x34 to PSoC Device Characteristics table. Update emulation pod/feet kit part numbers. Add OCD non-production pinouts and package diagrams. Add ISSP note to pinout tables. Update package diagram revisions. Update typical and recommended Storage Temperature per industrial specs. Update CY branding and QFN convention. Add new Dev. Tool section. Update copyright and trademarks.
*I	2503350	See ECN	Pinout for CY8C29000 OCD wrongly included details of CY8C24X94. The correct pinout for CY8C29000 is included in this version. Added note on digital signaling in "DC Analog Reference Specifications" section.
*J	2545030	07/29/08	Added note to Ordering Information
*K	2708295	04/22/2009	Changed title from "CY8C29466, CY8C29566, CY8C29666, and CY8C29866 PSoC Mixed Signal Array Final datasheet" to "CY8C29466, CY8C29566, CY8C29666, and CY8C29866 PSoC [®] Programmable System-on-Chip™" Updated to datasheet template Added 48-Pin QFN (Sawn) package diagram and CY8C29666-24LTXI and CY8C29666-24LTXIT part details in the Ordering Information table Updated DC GPIO, AC Chip-Level, and AC Programming Specifications as follows: Modified F _{IMO6} (page 27), T _{WRITE} specifications (page 34) Added I _{OH} (page 21), I _{OL} (page 21), DC _{ILO} (page 28), F _{32K U} (page 27), T _{POWERUP} (page 28), T _{ERASEALL} (page 34), T _{PROGRAM_HOT} (page 34), and T _{PROGRAM_COLD} (page 34) specifications
*L	2761941	09/10/2009	Added SR _{POWER_UP} parameter in AC specs table.
*M	2842762	01/08/2010	Corrected Notes for V _{DD} parameter in Table 13, "DC Chip-Level Specifications," on page 22. Added "Contents" on page 3. Updated links in Sales, Solutions, and Legal Information.
*N	2902396	03/30/2010	Updated and content in Digital System Updated Cypress website links. Removed reference to PSoC Designer 4.4 in PSoC Designer Software Subsystems Added T _{BAKETEMP} and T _{BAKETIME} parameters in Absolute Maximum Ratings Updated AC Chip-Level Specifications Changed unit for SPIS function to ns in AC Digital Block Specifications Updated notes in Packaging Information and package diagrams. Updated Solder Reflow Specifications Updated Emulation and Programming Accessories Removed Third Party Tools and Build a PSoC Emulator into Your Board. Updated Ordering Information and Ordering Code Definitions.

Document History Page (continued)

Document Title: CY8C29466/CY8C29566/CY8C29666/CY8C29866, PSoC [®] Programmable System-on-Chip™			
Document Number: 38-12013			
Revision	ECN	Submission Date	Description of Change
*O	2940410	05/31/2010	Updated content to match current style guide and datasheet template. No technical updates.
*P	3044869	10/01/2010	Added PSoC Device Characteristics table . Added DC I ² C Specifications table. Added F _{32K_U} max limit. Added T _{jit} IMO specification, removed existing jitter specifications. Updated Analog reference tables. Updated Units of Measure, Acronyms, Glossary, and References sections. Updated solder reflow specifications. No specific changes were made to AC Digital Block Specifications table and I ² C Timing Diagram. They were updated for clearer understanding. Updated Figure 13 since the labelling for y-axis was incorrect. Template and styles update. Removed footnote reference for “Solder Reflow Peak Temperature” table.
*Q	3017427	11/08/10	Removed the pruned part “CY8C29666-24LFXI” from the Ordering Information and Accessories (Emulation and Programming) .
*R	3263978	05/23/11	Updated Logic Block Diagram . Updated Solder Reflow Specifications .
*S	3301676	07/04/11	Fixed page numbering error on footer.
*T	3358177	09/26/11	Updated max value for '0b011' under Table 22 on page 33 . Updated V _{REFHI} values for '0b100' under Table 21 on page 29 . Incorrect flash/SRAM size mentioned under section PSoC Core on page 4 . Changed paragraph “Memory uses 16 KB of flash for program storage, 256 bytes of SRAM for data storage, and up to 2 KB of EEPROM emulated using the flash. Program flash uses four protection levels on blocks of 64 bytes, allowing customized software information protection (IP)” to “Memory uses 16 KB of flash for program storage, 256 bytes of SRAM for data storage, and up to 2 KB of EEPROM emulated using the flash. Program flash uses four protection levels on blocks of 64 bytes, allowing customized software information protection (IP)”. Removed package diagram spec 001-12919 as there is no MPN mapped to this package. The text “Pin must be left floating” is included under Description of NC pin in Table 6 on page 14 .
*U	3598291	04/24/2012	Changed the PWM description string from “8- to 32-bit” to “8- and 16-bit”. Updated package diagrams 001-13191 and 51-85048.
*V	3991993	05/08/2013	Updated Packaging Information : spec 51-85014 – Changed revision from *F to *G. spec 51-85061 – Changed revision from *E to *F. spec 001-13191 – Changed revision from *F to *G. Updated Reference Documents (Removed 001-17397 spec, 001-14503 spec related information). Added Errata .

Document History Page (continued)

Document Title: CY8C29466/CY8C29566/CY8C29666/CY8C29866, PSoC [®] Programmable System-on-Chip™			
Document Number: 38-12013			
Revision	ECN	Submission Date	Description of Change
*W	4081641	07/31/2013	<p>Added Errata footnotes (Note 1, 2, 14, 21, 25).</p> <p>Updated Features: Replaced “±2.5%” with “±5%”. Added Note 1 and referred the same note in ±5% under “Precision, programmable clocking”.</p> <p>Updated PSoC Functional Overview: Updated PSoC Core: Replaced “2.5%” with “5%” in 4th paragraph. Added Note 2 and referred the same note in 5%.</p> <p>Updated Electrical Specifications: Updated DC Electrical Characteristics: Updated DC Chip-Level Specifications: Added Note 14 and referred the same note in V_{DD} parameter. Updated AC Electrical Characteristics: Updated AC Chip-Level Specifications: Added Note 21 and referred the same note in F_{IMO24} parameter in Table 29. Replaced all instances of “24.6” with “25.2” in Table 29. Replaced all instances of “23.4” with “22.8” in Table 29. Replaced all instances of “49.2” with “50.4” in Table 29. Replaced “12.3” with “12.6” for maximum value of F_{CPU2} parameter in Table 29. Replaced “46.8” with “45.6” for minimum value of F_{out48M} parameter in Table 29. Added Note 25 and referred the same note in T_{POWERUP} parameter in Table 29. Updated AC Digital Block Specifications: Replaced all instances of “49.2” with “50.4” in Table 34. Replaced all instances of “24.6” with “25.2” in Table 34.</p> <p>Updated Packaging Information: spec 51-85026 – Changed revision from *F to *G. spec 51-85048 – Changed revision from *G to *H.</p> <p>Updated Errata.</p> <p>Updated in new template.</p>
*X	4378144	05/13/2014	<p>Updated Electrical Specifications: Updated AC Electrical Characteristics: Updated AC External Clock Specifications: Updated Table 37: Changed unit from “ms” to “µs” corresponding to “Power-up IMO to switch”.</p> <p>Updated Packaging Information: spec 51-85026 – Changed revision from *G to *H. spec 51-85064 – Changed revision from *E to *F. spec 51-85048 – Changed revision from *H to *I.</p> <p>Completing Sunset Review.</p>

Document History Page (continued)

Document Title: CY8C29466/CY8C29566/CY8C29666/CY8C29866, PSoC [®] Programmable System-on-Chip™			
Document Number: 38-12013			
Revision	ECN	Submission Date	Description of Change
*Y	4461247	07/30/2014	<p>Replaced references of “Application Notes for Surface Mount Assembly of Amkor’s MicroLeadFrame (MLF) Packages” with “Design Guidelines for Cypress Quad Flat No Extended Lead (QFN) Packaged Devices – AN72845” in all instances across the document.</p> <p>Added More Information.</p> <p>Added PSoC Designer.</p> <p>Removed “Getting Started”.</p> <p>Updated Electrical Specifications: Updated DC Electrical Characteristics: Updated DC I2C Specifications: Updated Table 28: Replaced V_{OH12C} with V_{OL12C}.</p>
*Z	4479512	09/03/2014	<p>Updated Electrical Specifications: Updated DC Electrical Characteristics: Added DC Analog External Reference Specifications. Updated AC Electrical Characteristics: Updated AC Operational Amplifier Specifications: Updated description. Updated Figure 18.</p> <p>Updated Errata: Updated Errata Summary: Updated details in “Fix Status” column in the table. Updated details in “Fix Status” bulleted point below the table.</p>
AA	4622517	01/13/2015	<p>Updated Pinouts: Updated 100-Pin Part Pinout: Updated Table 6: Added Note 10 and referred the same note in description of pin 15, pin 34, pin 65, pin 84 and pin 85. Updated 100-Pin Part Pinout (On-Chip Debug): Updated Table 7: Added Note 12 and referred the same note in description of pin 15, pin 34, pin 65, pin 84 and pin 85.</p> <p>Updated Packaging Information: spec 51-85079 – Changed revision from *E to *F.</p>
AB	4882080	08/12/2015	<p>Replaced “Flash pages” with “Flash banks” in all instances across the document. Updated Packaging Information: spec 001-13191 – Changed revision from *G to *H.</p>
AC	5702069	04/19/2017	<p>Updated Cypress logo. Updated Copyright. Updated the following Packaging Information: Figure 23 (spec 51-85064 *F to *G) Figure 26 (spec 51-85048 *I to *J)</p>
AD	6882394	5/15/2020	<p>Removed the MPN CY8C29466-24PXI, as this Part number is in EOL-Obsolete status in Oracle PLM.</p> <p>Updated Packaging Information: spec 51-85048– Changed revision from *J to *K.</p>

Sales, Solutions, and Legal Information

Worldwide Sales and Design Support

Cypress maintains a worldwide network of offices, solution centers, manufacturer's representatives, and distributors. To find the office closest to you, visit us at [Cypress Locations](#).

Products

Arm [®] Cortex [®] Microcontrollers	cypress.com/arm
Automotive	cypress.com/automotive
Clocks & Buffers	cyprmmess.com/clocks
Interface	cypress.com/interface
Internet of Things	cypress.com/iot
Memory	cypress.com/memory
Microcontrollers	cypress.com/mcu
PSoC	cypress.com/psoc
Power Management ICs	cypress.com/pmic
Touch Sensing	cypress.com/touch
USB Controllers	cypress.com/usb
Wireless Connectivity	cypress.com/wireless

PSoC[®] Solutions

[PSoC 1](#) | [PSoC 3](#) | [PSoC 4](#) | [PSoC 5LP](#) | [PSoC 6 MCU](#)

Cypress Developer Community

[Community](#) | [Code Examples](#) | [Projects](#) | [Video](#) | [Blogs](#) | [Training](#) | [Components](#)

Technical Support

cypress.com/support

© Cypress Semiconductor Corporation, 2003-2020. This document is the property of Cypress Semiconductor Corporation and its subsidiaries ("Cypress"). This document, including any software or firmware included or referenced in this document ("Software"), is owned by Cypress under the intellectual property laws and treaties of the United States and other countries worldwide. Cypress reserves all rights under such laws and treaties and does not, except as specifically stated in this paragraph, grant any license under its patents, copyrights, trademarks, or other intellectual property rights. If the Software is not accompanied by a license agreement and you do not otherwise have a written agreement with Cypress governing the use of the Software, then Cypress hereby grants you a personal, non-exclusive, nontransferable license (without the right to sublicense) (1) under its copyright rights in the Software (a) for Software provided in source code form, to modify and reproduce the Software solely for use with Cypress hardware products, only internally within your organization, and (b) to distribute the Software in binary code form externally to end users (either directly or indirectly through resellers and distributors), solely for use on Cypress hardware product units, and (2) under those claims of Cypress's patents that are infringed by the Software (as provided by Cypress, unmodified) to make, use, distribute, and import the Software solely for use with Cypress hardware products. Any other use, reproduction, modification, translation, or compilation of the Software is prohibited.

TO THE EXTENT PERMITTED BY APPLICABLE LAW, CYPRESS MAKES NO WARRANTY OF ANY KIND, EXPRESS OR IMPLIED, WITH REGARD TO THIS DOCUMENT OR ANY SOFTWARE OR ACCOMPANYING HARDWARE, INCLUDING, BUT NOT LIMITED TO, THE IMPLIED WARRANTIES OF MERCHANTABILITY AND FITNESS FOR A PARTICULAR PURPOSE. No computing device can be absolutely secure. Therefore, despite security measures implemented in Cypress hardware or software products, Cypress shall have no liability arising out of any security breach, such as unauthorized access to or use of a Cypress product. CYPRESS DOES NOT REPRESENT, WARRANT, OR GUARANTEE THAT CYPRESS PRODUCTS, OR SYSTEMS CREATED USING CYPRESS PRODUCTS, WILL BE FREE FROM CORRUPTION, ATTACK, VIRUSES, INTERFERENCE, HACKING, DATA LOSS OR THEFT, OR OTHER SECURITY INTRUSION (collectively, "Security Breach"). Cypress disclaims any liability relating to any Security Breach, and you shall and hereby do release Cypress from any claim, damage, or other liability arising from any Security Breach. In addition, the products described in these materials may contain design defects or errors known as errata which may cause the product to deviate from published specifications. To the extent permitted by applicable law, Cypress reserves the right to make changes to this document without further notice. Cypress does not assume any liability arising out of the application or use of any product or circuit described in this document. Any information provided in this document, including any sample design information or programming code, is provided only for reference purposes. It is the responsibility of the user of this document to properly design, program, and test the functionality and safety of any application made of this information and any resulting product. "High-Risk Device" means any device or system whose failure could cause personal injury, death, or property damage. Examples of High-Risk Devices are weapons, nuclear installations, surgical implants, and other medical devices. "Critical Component" means any component of a High-Risk Device whose failure to perform can be reasonably expected to cause, directly or indirectly, the failure of the High-Risk Device, or to affect its safety or effectiveness. Cypress is not liable, in whole or in part, and you shall and hereby do release Cypress from any claim, damage, or other liability arising from any use of a Cypress product as a Critical Component in a High-Risk Device. You shall indemnify and hold Cypress, its directors, officers, employees, agents, affiliates, distributors, and assigns harmless from and against all claims, costs, damages, and expenses, arising out of any claim, including claims for product liability, personal injury or death, or property damage arising from any use of a Cypress product as a Critical Component in a High-Risk Device. Cypress products are not intended or authorized for use as a Critical Component in any High-Risk Device except to the limited extent that (i) Cypress's published data sheet for the product explicitly states Cypress has qualified the product for use in a specific High-Risk Device, or (ii) Cypress has given you advance written authorization to use the product as a Critical Component in the specific High-Risk Device and you have signed a separate indemnification agreement.

Cypress, the Cypress logo, Spansion, the Spansion logo, and combinations thereof, WICED, PSoC, CapSense, EZ-USB, F-RAM, and Traveo are trademarks or registered trademarks of Cypress in the United States and other countries. For a more complete list of Cypress trademarks, visit cypress.com. Other names and brands may be claimed as property of their respective owners.

X-ON Electronics

Largest Supplier of Electrical and Electronic Components

Click to view similar products for [8-bit Microcontrollers - MCU category](#):

Click to view products by [Cypress manufacturer](#):

Other Similar products are found below :

[CY8C20524-12PVXIT](#) [MB95F013KPMC-G-SNE2](#) [MB95F263KPF-G-SNE2](#) [MB95F264KPFT-G-SNE2](#) [MB95F398KPMC-G-SNE2](#)
[MB95F478KPMC2-G-SNE2](#) [MB95F564KPF-G-SNE2](#) [MB95F636KWQN-G-SNE1](#) [MB95F696KPMC-G-SNE2](#) [MB95F698KPMC2-G-SNE2](#)
[MB95F698KPMC-G-SNE2](#) [MB95F818KPMC1-G-SNE2](#) [901015X](#) [CY8C3MFIDOCK-125](#) [403708R](#) [MB95F354EPF-G-SNE2](#)
[MB95F564KWQN-G-SNE1](#) [MB95F636KP-G-SH-SNE2](#) [MB95F694KPMC-G-SNE2](#) [MB95F778JPMC1-G-SNE2](#) [MB95F818KPMC-G-SNE2](#)
[LC87F0G08AUJA-AH](#) [CP8361BT](#) [CG8421AF](#) [MB95F202KPF-G-SNE2](#) [DF36014FPV](#) [5962-8768407MUA](#) [MB95F318EPMC-G-SNE2](#)
[MB94F601APMC1-GSE1](#) [MB95F656EPF-G-SNE2](#) [LC78615E-01US-H](#) [LC87F5WC8AVU-QIP-H](#) [MB95F108AJSPMC-G-JNE1](#) [73S1210F-](#)
[68M/F/PJ](#) [MB89F538-101PMC-GE1](#) [LC87F7DC8AVU-QIP-H](#) [MB95F876KPMC-G-SNE2](#) [MB88386PMC-GS-BNDE1](#) [LC87FBK08AU-](#)
[SSOP-H](#) [LC87F2C64AU-QFP-H](#) [MB95F636KNWQN-G-118-SNE1](#) [MB95F136NBSTPFV-GS-N2E1](#) [LC87F5NC8AVU-QIP-E](#)
[LC87F76C8AU-TQFP-E](#) [LC87F2G08AU-SSOP-E](#) [CP8085AT](#) [MB95F564KPF-G-UNE2](#) [MC9S08QG8CDTE](#) [UPD78F0532AGA\(S\)-HAB-](#)
[AX](#) [PIC12CE674-04/P](#)