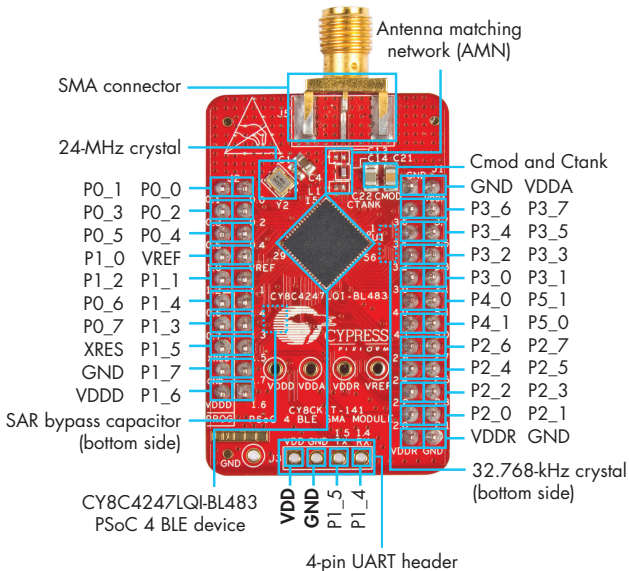


# CY8CKIT-141 PSoC® 4 BLE SMA MODULE

CY8CKIT-141 PSoC® 4 BLE SMA Module is an easy-to-use solution for creating complete BLE systems. It features a PSoC 4 BLE device, two crystals, and an SMA connector, and other passives, and provides access to all GPIOs of the device.

Visit [www.cypress.com/BLE](http://www.cypress.com/BLE) for more information on Cypress’s BLE solutions.

PSoC 4 BLE is an ARM® Cortex®-M0 based single-chip solution that integrates programmable analog front ends and digital peripherals, the CapSense® technology for touch sensing, and a Bluetooth® Low Energy or Bluetooth Smart radio.



**Fig-1: Pinout Description for PSoC 4 BLE SMA Module**

Note: To apply power to the module, use the VDD pin (1.9 V - 5.0 V) and GND pin.

# CY8CKIT-141 PSoC® 4 BLE SMA MODULE

## STANDALONE USE WITH PSoC CREATOR™ IDE AND CY8CKIT-002 MINIPROG3



Pin Mapping	
CY8CKIT-002	CY8CKIT-141
VTARG	VDD
GND	GND
RES	XRES
SCLK	PO_7
SDAT	PO_6

Fig-2: Programming and Debugging with CY8CKIT-002

## USING THE CY8CKIT-141 MODULE WITH CY8CKIT-042-BLE PIONEER KIT

**Step 1:** Plug the module on the CY8CKIT-042-BLE Pioneer Kit baseboard.

**Step 2:** Create your design in PSoC Creator IDE and use the BLE Pioneer Kit to program and debug.

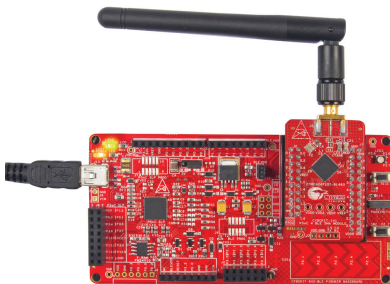


Fig-3: Programming and Debugging with CY8CKIT-042 BLE Pioneer Baseboard

Additional regulatory certification will be required to integrate the module into an end product. Contact [support@cypress.com](mailto:support@cypress.com) for details.

For more information about this kit, visit [www.cypress.com/CY8CKIT-141](http://www.cypress.com/CY8CKIT-141)



## X-ON Electronics

Largest Supplier of Electrical and Electronic Components

*Click to view similar products for [Programmiers - Processor Based](#) category:*

*Click to view products by [Cypress](#) manufacturer:*

Other Similar products are found below :

[5.05.10](#) [TPG100004](#) [X2S-FP-X](#) [APM32PROG](#) [ECC111429EU](#) [UMFTPD2A](#) [JTAG HS2 PROGRAMMING CABLE](#) [JTAG-SMT2-NC SM](#)  
[PROGRAMMING MODULE](#) [ZL20PRG](#) [FlashPro-CC-LITE](#) [GP-ARM](#) [DFR0116](#) [PGM-08702](#) [ACNPROG](#) [PGM-07834](#) [XUP USB-JTAG](#)  
[PROGRAMMING CABLE](#) [REVELPROG-IS](#) [FLASHPRO-430-CC](#) [FLASHPRO-430-LJ](#) [FLASHPRO-ARM\(X2S\)](#) [FLASHPRO-ARM-](#)  
[1V\(XS\)](#) [GANGPRO-430\(XS\)](#) [GANGPRO-ARM-1V\(XS\)](#) [462](#) [JTAG USB CABLE](#) [2548](#) [46](#) [VA800A-PROG](#) [FlashPro-CC-STD](#) [REP430F](#)  
[USB-MSP430-FPA-LJ](#) [AC162049](#) [DV007004](#) [TPG100001](#) [TPG100005](#) [MIKROE-3460](#) [MIKROE-3462](#) [MIKROE-3463](#) [MIKROE-1100](#)  
[MIKROE-1382](#) [MIKROE-1383](#) [MIKROE-1449](#) [MIKROE-1748](#) [MIKROE-2002](#) [MIKROE-764](#) [U-MULTILINK](#) [AVR-ISP500](#) [AVR-ISP-](#)  
[MK2](#) [PIC-ICSP](#) [PROGSHIELD](#)