

# 16-bit Proprietary Microcontroller

CMOS

## F<sup>2</sup>MC-16LX MB90540/G/545/G Series

MB90F543/F549/V540

MB90F543G(S)/F546G(S)/F548G(S)/F549G(S)/549G(S)/V540G

### ■ DESCRIPTION

The MB90540/545 series with FULL-CAN\*1 and FLASH ROM is specially designed for automotive and industrial applications. Its main features are two on board CAN Interfaces (one for MB90V545 series) , which conform to V2.0 Part A and Part B, supporting very flexible message buffer scheme and so offering more functions than a normal full CAN approach. The instruction set by F<sup>2</sup>MC-16LX CPU core inherits an AT architecture of the F<sup>2</sup>MC\*2 family with additional instruction sets for high-level languages, extended addressing mode, enhanced multiplication/division instructions, and enhanced bit manipulation instructions. The micro controller has a 32-bit accumulator for processing long word data. The MB90540/545 series has peripheral resources of 8/10-bit A/D converters, UART (SCI) , extended I/O serial interfaces, 8/16-bit timer, I/O timer (input capture (ICU) , output compare (OCU) ) .

\*1 : Controller Area Network (CAN) -License of Robert Bosch GmbH.

\*2 : F<sup>2</sup>MC stands for FUJITSU Flexible Microcontroller.

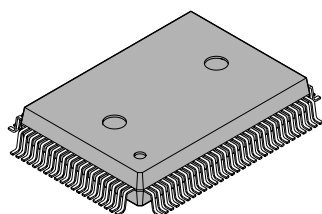
### ■ FEATURES

- Clock
  - Embedded PLL clock multiplication circuit
  - Operating clock (PLL clock) can be selected from : divided-by-2 of oscillation or one to four times the oscillation
  - Minimum instruction execution time : 62.5 ns (operation at oscillation of 4 MHz, four times the oscillation clock, V<sub>cc</sub> of 5.0 V)
  - Subsystem Clock : 32 kHz

(Continued)

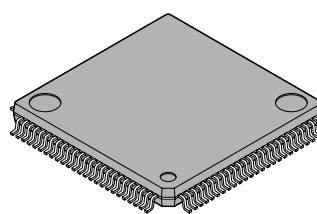
### ■ PACKAGES

100-pin Plastic QFP



(FPT-100P-M06)

100-pin Plastic LQFP



(FPT-100P-M05)

# MB90540/540G/545/545G Series

*(Continued)*

- Instruction set to optimize controller applications
  - Rich data types (bit, byte, word, long word)
  - Rich addressing mode (23 types)
  - Enhanced signed multiplication/division instruction and RETI instruction functions
  - Enhanced precision calculation realized by the 32-bit accumulator
- Instruction set designed for high level language (C language) and multi-task operations
  - Adoption of system stack pointer
  - Enhanced pointer indirect instructions
  - Barrel shift instructions
- Program patch function (for two address pointers)
- Enhanced execution speed : 4-byte Instruction queue
- Enhanced interrupt function : 8 levels, 34 factors
- Automatic data transmission function independent of CPU operation
  - Extended intelligent I/O service function (EI<sup>2</sup>OS)
- Embedded ROM size and types
  - Mask ROM : 256 Kbytes
  - Flash ROM : 128 Kbytes/256 Kbytes
  - Embedded RAM size : 4 Kbytes/6 Kbytes/8 Kbytes (evaluation chip)
- Flash ROM
  - Supports automatic programming, Embedded Algorithm TM\*
  - Write/Erase/Erase-Suspend/Resume commands
  - A flag indicating completion of the algorithm
  - Hard-wired reset vector available in order to point to a fixed boot sector in Flash Memory
  - Erase can be performed on each block
  - Block protection with external programming voltage
- Low-power consumption (stand-by) mode
  - Sleep mode (mode in which CPU operating clock is stopped)
  - Stop mode (mode in which oscillation is stopped)
  - CPU intermittent operation mode
  - Clock mode
  - Hardware stand-by mode
- Process
  - 0.5  $\mu$ m CMOS technology
- I/O port
  - General-purpose I/O ports : 81 ports
- Timer
  - Watchdog timer : 1 channel
  - 8/16-bit PPG timer : 8/16-bit  $\times$  4 channels
  - 16-bit re-load timer : 2 channels
- 16-bit I/O timer
  - 16-bit free-run timer : 1 channel
  - Input capture : 8 channels
  - Output compare : 4 channels
- Extended I/O serial interface : 1 channel
- UART 0
  - With full-duplex double buffer (8-bit length)
  - Clock asynchronous or clock synchronized (with start/stop bit) transmission can be selectively used.

*(Continued)*

# MB90540/540G/545/545G Series

*(Continued)*

- UART 1

With full-duplex double buffer (8-bit length)

Clock asynchronous or clock synchronized serial (extended I/O serial) can be used.

- External interrupt circuit (8 channels)

A module for starting an extended intelligent I/O service (EI<sup>2</sup>OS) and generating an external interrupt which is triggered by an external input.

- Delayed interrupt generation module

Generates an interrupt request for switching tasks.

- 8/10-bit A/D converter (8 channels)

8/10-bit resolution can be selectively used.

Starting by an external trigger input.

Conversion time : 26.3  $\mu$ s

- FULL-CAN interfaces

MB90540 series : 2 channel

MB90545 series : 1 channel

Conforming to Version 2.0 Part A and Part B

Flexible message buffering (mailbox and FIFO buffering can be mixed)

- External bus interface : Maximum address space 16 Mbytes

- Package: QFP-100, LQFP-100

\* : Embedded Algorithm is a trade mark of Advanced Micro Devices Inc.

# MB90540/540G/545/545G Series

## ■ PRODUCT LINEUP

Features	MB90V540 MB90V540G	MB90F543/F549 MB90F543G (S)/F548G (S) MB90F549G (S)/F546G (S)	MB90549G (S)
CPU	F <sup>2</sup> MC-16LX CPU		
System clock	On-chip PLL clock multiplier (×1, ×2, ×3, ×4, 1/2 when PLL stop) Minimum instruction execution time : 62.5 ns (4 MHz osc. PLL × 4)		
ROM	External	Flash memory MB90F543/F543G (S) / F548G (S) : 128 K MB90F549/F549G (S) / F546G (S) : 256 K	Mask ROM : 256 K
RAM	8 Kbyte	MB90F548G(S):4 Kbyte MB90F543/F549/F543G (S) /F549G (S) : 6 Kbyte MB90F546G (S) : 8 Kbyte	6 Kbyte
Clocks	Two clocks/One clock* <sup>1</sup> system	MB90F543/F549/F543G/ F548G/F549G/F546G : Two clocks system MB90F543GS/F548GS/ F549GS/F546GS : One clock system	MB90549G : Two clocks system MB90549GS : One clock system
Operating voltage range	5 V ± 10%		
Temperature range	MB90F543/F549: -40 °C to 85 °C Other than MB90F543/F549: -40 °C to 105 °C		
Package	PGA-256	QFP100, LQFP100	
Emulator-specify power supply <sup>2</sup>	None	—	
UART0	Full duplex double buffer Support asynchronous/synchronous (with start/stop bit) transfer Baud rate : 4808/5208/9615/10417/19230/38460/62500/500000 bps (asynchronous) 500 K/1 M/2 Mbps (synchronous) at System clock = 16 MHz		
UART1 (SCI)	Full duplex double buffer Asynchronous (start-stop synchronized) and CLK-synchronous communication Baud rate : 1202/2404/4808/9615/31250 bps (asynchronous) 62.5 K/12 K/250 K/500 K/1 M/2 Mbps (synchronous) at 6, 8, 10, 12, 16 MHz		
Serial IO	Transfer can be started from MSB or LSB Supports internal clock synchronized transfer and external clock synchronized transfer Supports positive-edge and negative-edge clock synchronization Baud rate : 31.25 K/62.5 K/125 K/500 K/1 Mbps at System clock = 16 MHz		
A/D Converter	10-bit or 8-bit resolution 8 input channels Conversion time : 26.3 ms (per one channel)		
16-bit Reload Timer (2 channels)	Operation clock frequency : $f_{sys}/2^1$ , $f_{sys}/2^3$ , $f_{sys}/2^5$ ( $f_{sys}$ = System clock frequency) Supports External Event Count function Signals an interrupt when overflow		

(Continued)

# MB90540/540G/545/545G Series

(Continued)

Features	MB90V540 MB90V540G	MB90F543/F549 MB90F543G (S)/F548G (S) MB90F549G (S)/F546G (S)	MB90549G (S)
16-bit IO Timer	Supports Timer Clear when a match with Output Compare (Channel 0) Operation clock freq. : $f_{sys}/2^2$ , $f_{sys}/2^4$ , $f_{sys}/2^6$ , $f_{sys}/2^8$ ( $f_{sys}$ = System clock freq.)		
16-bit Output Compare (4 channels)	Signals an interrupt when a match with 16-bit IO Timer Four 16-bit compare registers A pair of compare registers can be used to generate an output signal		
16-bit Input Capture (8 channels)	Rising edge, falling edge or rising & falling edge sensitive Four 16-bit Capture registers Signals an interrupt upon external event		
8/16-bit Programmable Pulse Generator (4 channels)	Supports 8-bit and 16-bit operation modes Eight 8-bit reload counters Eight 8-bit reload registers for L pulse width Eight 8-bit reload registers for H pulse width A pair of 8-bit reload counters can be configured as one 16-bit reload counter or as 8-bit prescaler plus 8-bit reload counter 4 output pins Operation clock freq. : $f_{sys}$ , $f_{sys}/2^1$ , $f_{sys}/2^2$ , $f_{sys}/2^3$ , $f_{sys}/2^4$ or $128 \mu s @ f_{osc} = 4 \text{ MHz}$ ( $f_{sys}$ = System clock frequency, $f_{osc}$ = Oscillation clock frequency)		
CAN Interface MB90540 series : 2 channels MB90545 series : 1 channel	Conforms to CAN Specification Version 2.0 Part A and B Automatic re-transmission in case of error Automatic transmission responding to Remate Frame Prioritized 16 message buffers for data and ID's Supports multiple messages Flexible configuration of acceptance filtering : Full bit compare/Full bit mask/Two partial bit masks Supports up to 1 Mbps		
32 kHz Sub-clock	Sub-clock for low power operation		
External Interrupt (8 channels)	Can be programmed edge sensitive or level sensitive		
External bus interface	External access using the selectable 8-bit or 16-bit bus is enabled (external bus mode.)		
IO Ports	Virtually all external pins can be used as general purpose IO All push-pull outputs and schmitt trigger inputs Bit-wise programmable as input/output or peripheral signal		
Flash Memory	Flash Memory Supports automatic programming, Embedded Algorithm TM <sup>3</sup> Write/Erase/Erase-Suspend/Resume commands A flag indicating completion of the algorithm Number of erase cycles : 10,000 times Data retention time : 10 years Boot block configuration Erase can be performed on each block Block protection by externally programmed voltage		

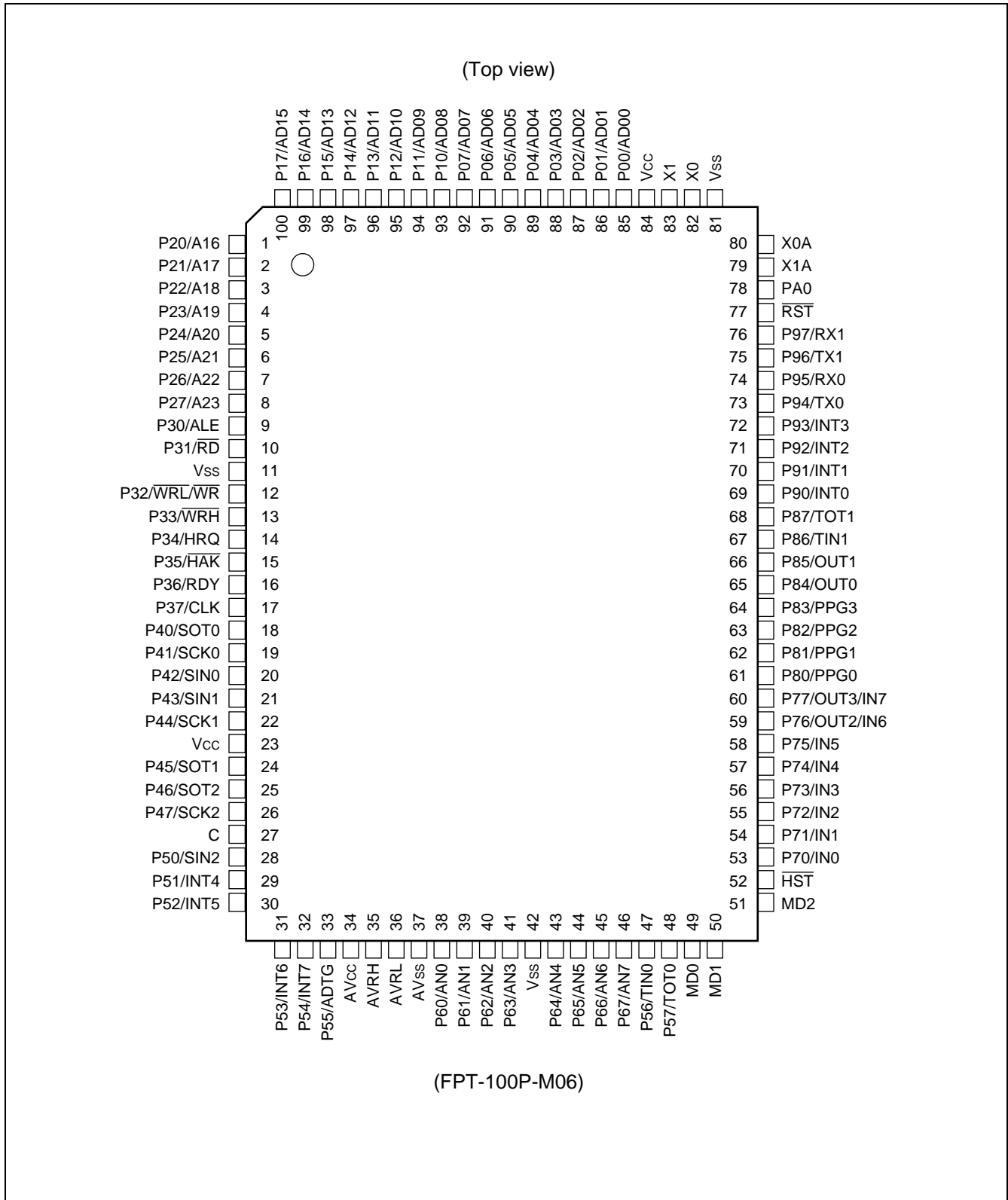
\*1 : If the one clock system is used, equip X0A and X1A with clocks from the tool side.

\*2 : It is setting of DIP switch S2 when Emulator pod (MB2145-507) is used. Please refer to the MB2145-507 hardware manual (2.7 Emulator-specific Power Pin) about details.

\*3 : Embedded Algorithm is a trade mark of Advanced Micro Devices Inc.

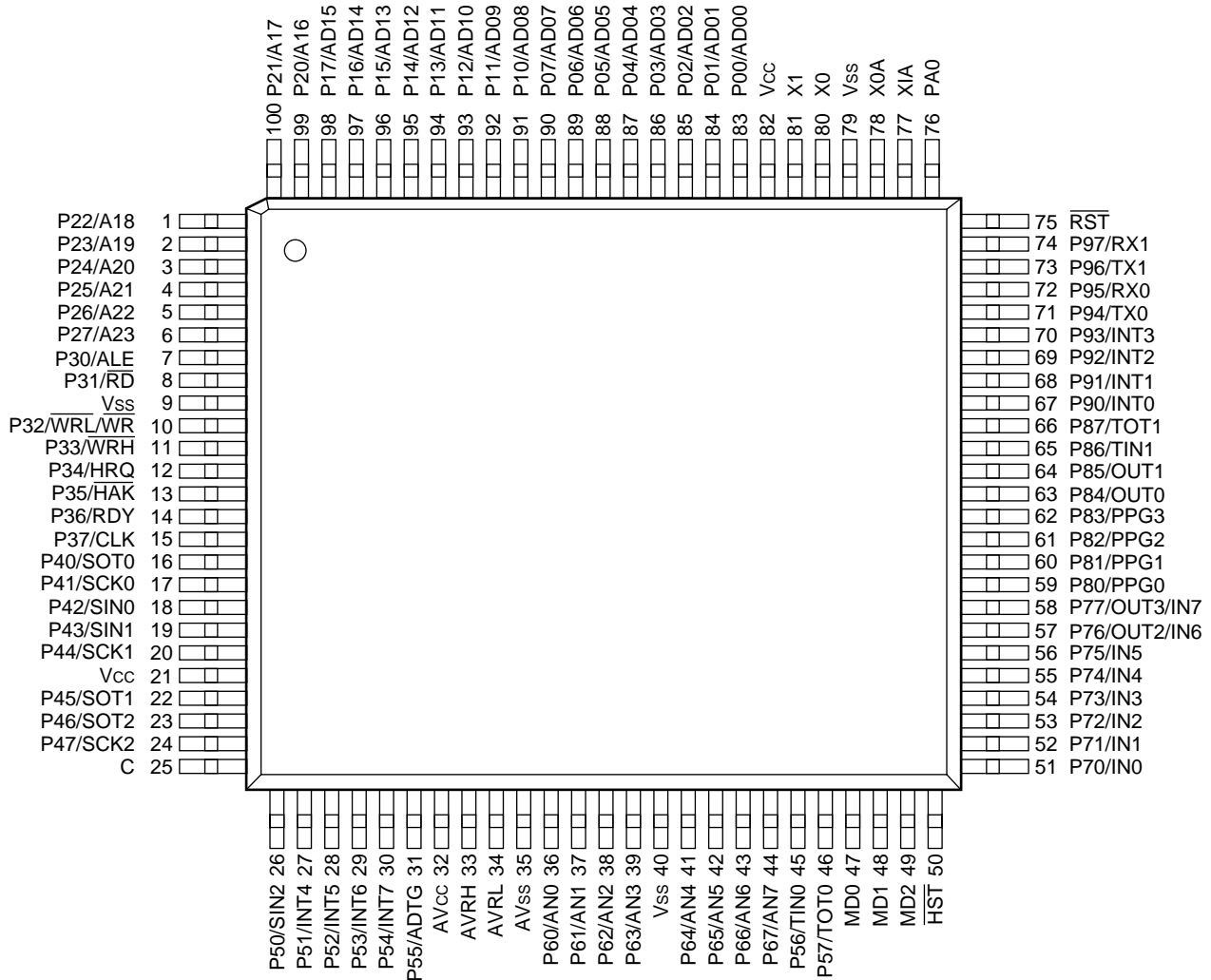
# MB90540/540G/545/545G Series

## PIN ASSIGNMENT



# MB90540/540G/545/545G Series

(TOP VIEW)



(FPT-100P-M05)

# MB90540/540G/545/545G Series

## ■ PIN DESCRIPTION

Pin No.		Pin name	Circuit type	Function
LQFP <sup>*2</sup>	QFP <sup>*1</sup>			
80 81	82 83	X0 X1	A (Oscillation)	High speed oscillator input pins
78	80	X0A	A (Oscillation)	Low speed oscillator input pins. For the one clock system parts, perform external pull-down processing.
77	79	X1A		Low speed oscillator input pins. For the one clock system parts, leave it open.
75	77	$\overline{\text{RST}}$	B	External reset request input
50	52	$\overline{\text{HST}}$	C	Hardware standby input
83 to 90	85 to 92	P00 to P07	I	General I/O port with programmable pullup. This function is enabled in the single-chip mode.
		AD00 to AD07		I/O pins for 8 lower bits of the external address/data bus. This function is enabled when the external bus is enabled.
91 to 98	93 to 100	P10 to P17	I	General I/O port with programmable pullup. This function is enabled in the single-chip mode.
		AD08 to AD15		I/O pins for 8 higher bits of the external address/data bus. This function is enabled when the external bus is enabled.
99 to 6	1 to 8	P20 to P27	I	General I/O port with programmable pullup. This function is enabled in the single-chip mode.
		A16 to A23		8-bit I/O pins for A16 to A23 at the external address bus. This function is enabled when the external bus is enabled.
7	9	P30	I	General I/O port with programmable pullup. This function is enabled in the single-chip mode.
		ALE		Address latch enable output pin. This function is enabled when the external bus is enabled.
8	10	P31	I	General I/O port with programmable pullup. This function is enabled in the single-chip mode.
		$\overline{\text{RD}}$		Read strobe output pin for the data bus. This function is enabled when the external bus is enabled.
10	12	P32	I	General I/O port with programmable pullup. This function is enabled in the single-chip mode or when the $\overline{\text{WR}}/\overline{\text{WRL}}$ pin output is disabled.
		$\overline{\text{WRL}}$		Write strobe output pin for the data bus. This function is enabled when both the external bus and the $\overline{\text{WR}}/\overline{\text{WRL}}$ pin output are enabled. $\overline{\text{WRL}}$ is write-strobe output pin for the lower 8 bits of the data bus in 16-bit access. $\overline{\text{WR}}$ is write-strobe output pin for the 8 bits of the data bus in 8-bit access.
		$\overline{\text{WR}}$		

(Continued)



# MB90540/540G/545/545G Series

Pin No.		Pin name	Circuit type	Function
LQFP <sup>*2</sup>	QFP <sup>*1</sup>			
11	13	P33	I	General I/O port with programmable pullup. This function is enabled in the single-chip mode or external bus 8-bit mode or when $\overline{\text{WRH}}$ pin output is disabled.
		$\overline{\text{WRH}}$		Write strobe output pin for the 8 higher bits of the data bus. This function is enabled when the external bus is enabled, when the external bus 16-bit mode is selected, and when the $\overline{\text{WRH}}$ output pin is enabled.
12	14	P34	I	General I/O port with programmable pullup. This function is enabled in the single-chip mode or when the hold function is disabled.
		HRQ		Hold request input pin. This function is enabled when both the external bus and the hold functions are enabled.
13	15	P35	I	General I/O port with programmable pullup. This function is enabled in the single-chip mode or when the hold function is disabled.
		$\overline{\text{HAK}}$		Hold acknowledge output pin. This function is enabled when both the external bus and the hold functions are enabled.
14	16	P36	I	General I/O port with programmable pullup. This function is enabled in the single-chip mode or when the external ready function is disabled.
		RDY		Ready input pin. This function is enabled when both the external bus and the external ready functions are enabled.
15	17	P37	H	General I/O port with programmable pullup. This function is enabled in the single-chip mode or when the clock output is disabled.
		CLK		CLK output pin. This function is enabled when both the external bus and CLK outputs are enabled.
16	18	P40	G	General I/O port. This function is enabled when UART0 disables the serial data output.
		SOT0		Serial data output pin for UART0. This function is enabled when UART0 enables the serial data output.
17	19	P41	G	General I/O port. This function is enabled when UART0 disables clock output.
		SCK0		Clock I/O pin for UART0. This function is enabled when UART0 enables the clock output.
18	20	P42	G	General I/O port. This function is always enabled.
		SIN0		Serial data input pin for UART0. Set the corresponding Port Direction Register to input if this function is used.
19	21	P43	G	General I/O port. This function is always enabled.
		SIN1		Serial data input pin for UART1. Set the corresponding Port Direction Register to input if this function is used.

(Continued)

# MB90540/540G/545/545G Series

Pin No.		Pin name	Circuit type	Function
LQFP <sup>2</sup>	QFP <sup>1</sup>			
20	22	P44	G	General I/O port. This function is enabled when UART1 disables the clock output.
		SCK1		Clock pulse input/output pin for UART1. This function is enabled when UART1 enables the clock output.
22	24	P45	G	General I/O port. This function is enabled when UART1 disables the serial data output.
		SOT1		Serial data output pin for UART1. This function is enabled when UART1 enables the serial data output.
23	25	P46	G	General I/O port. This function is enabled when the Serial IO disables the serial data output.
		SOT2		Serial data output pin for the Serial IO. This function is enabled when the Serial IO enables the serial data output.
24	26	P47	G	General I/O port. This function is enabled when the Serial IO disables the clock output.
		SCK2		Clock pulse input/output pin for the Serial IO. This function is enabled when the Serial IO enables the clock output.
26	28	P50	D	General I/O port. This function is always enabled.
		SIN2		Serial data input pin for the Serial IO. Set the corresponding Port Direction Register to input if this function is used.
27 to 30	29 to 32	P51 to P54	D	General I/O port. This function is always enabled.
		INT4 to INT7		External interrupt request input pins for INT4 to INT7. Set the corresponding Port Direction Register to input if this function is used.
31	33	P55	D	General I/O port. This function is always enabled.
		ADTG		Trigger input pin for the A/D converter. Set the corresponding Port Direction Register to input if this function is used.
36 to 39	38 to 41	P60 to P63	E	General I/O port. This function is enabled when the analog input enable register specifies a port.
		AN0 to AN3		Analog input pins for the 8/10-bit A/D converter. This function is enabled when the analog input enable register specifies AD.
41 to 44	43 to 46	P64 to P67	E	General I/O port. The function is enabled when the analog input enable register specifies a port.
		AN4 to AN7		Analog input pins for the 8/10-bit A/D converter. This function is enabled when the analog input enable register specifies AD.
45	47	P56	D	General I/O port. This function is always enabled.
		TIN0		Event input pin for the 16-bit reload timers 0. Set the corresponding Port Direction Register to input if this function is used.

(Continued)

# MB90540/540G/545/545G Series

Pin No.		Pin name	Circuit type	Function
LQFP <sup>*2</sup>	QFP <sup>*1</sup>			
46	48	P57	D	General I/O port. This function is enabled when the 16-bit reload timers 0 disables the output.
		TOT0		Output pin for the 16-bit reload timers 0. This function is enabled when the 16-bit reload timers 0 enables the output.
51 to 56	53 to 58	P70 to P75	D	General I/O ports. This function is always enabled.
		IN0 to IN5		Data sample input pins for input captures ICU0 to ICU5. Set the corresponding Port Direction Register to input if this function is used.
57 to 58	59 to 60	P76 to P77	D	General I/O ports. This function is enabled when the OCU disables the waveform output.
		OUT2 to OUT3		Waveform output pins for output compares OCU2 and OCU3. This function is enabled when the OCU enables the waveform output.
		IN6 to IN7		Data sample input pin for input captures ICU6 and ICU7. Set the corresponding Port Direction Register to input and disable the OCU waveform output if this function is used.
59 to 62	61 to 64	P80 to P83	D	General I/O ports. This function is enabled when 8/16-bit PPG disables the waveform output.
		PPG0 to PPG3		Output pins for 8/16-bit PPGs. This function is enabled when 8/16-bit PPG enables the waveform output.
63 to 64	65 to 66	P84 to P85	D	General I/O ports. This function is enabled when the OCU disables the waveform output.
		OUT0 to OUT1		Waveform output pins for output compares OCU0 and OCU1. This function is enabled when the OCU enables the waveform output.
65	67	P86	D	General I/O port. This function is always enabled.
		TIN1		Event input pin for the 16-bit reload timers 1. Set the corresponding Port Direction Register to input if this function is used.
66	68	P87	D	General I/O port. This function is enabled when the 16-bit reload timers 0 disables the output.
		TOT1		Output pin for the 16-bit reload timers 1 This function is enabled when the 16-bit reload timers 1 enables the output.
67 to 70	69 to 72	P90 to P93	D	General I/O port. This function is always enabled.
		INT0 to INT3		External interrupt request input pins for INT0 to INT3. Set the corresponding Port Direction Register to input if this function is used.
71	73	P94	D	General I/O port. This function is enabled when CAN0 disables the output.
		TX0		TX Output pin for CAN0. This function is enabled when CAN0 enables the output.

*(Continued)*

# MB90540/540G/545/545G Series

(Continued)

Pin No.		Pin name	Circuit type	Function
LQFP*2	QFP*1			
72	74	P95	D	General I/O port. This function is always enabled.
		RX0		RX input pin for CAN0 Interface. When the CAN function is used, output from the other functions must be stopped.
73	75	P96	D	General I/O port. This function is enabled when CAN1 disables the output.
		TX1		TX Output pin for CAN1. This function is enabled when CAN1 enables the output (only MB90540 series) .
74	76	P97	D	General I/O port. This function is always enabled.
		RX1		RX input pin for CAN1 Interface. When the CAN function is used, output from the other functions must be stopped (only MB90540 series) .
76	78	PA0	D	General I/O port. This function is always enabled.
32	34	AV <sub>CC</sub>	Power supply	Power supply for the A/D Converter. This power supply must be turned on or off while a voltage higher than or equal to AV <sub>CC</sub> is applied to V <sub>CC</sub> .
35	37	AV <sub>SS</sub>	Power supply	Power supply for the A/D Converter.
33	35	AVRH	Power supply	External reference voltage input for the A/D Converter. This power supply must be turned on or off while a voltage higher than or equal to AVRH is applied to AV <sub>CC</sub> .
34	36	AVRL	Power supply	External reference voltage input for the A/D Converter.
47 48	49 50	MD0 MD1	C	Input pins for specifying the operating mode. The pins must be directly connected to V <sub>CC</sub> or V <sub>SS</sub> .
49	51	MD2	F	Input pin for specifying the operating mode. The pin must be directly connected to V <sub>CC</sub> or V <sub>SS</sub> .
25	27	C	—	This is the power supply stabilization capacitor pin. It should be connected externally to an 0.1 μF ceramic capacitor.
21, 82	23, 84	V <sub>CC</sub>	Power supply	Input pin for power supply (5.0 V) .
9, 40, 79	11, 42, 81	V <sub>SS</sub>	Power supply	Input pin for power supply (0.0 V) .

\*1 : FPT-100P-M06

\*2 : FPT-100P-M05

# MB90540/540G/545/545G Series

## ■ I/O CIRCUIT TYPE

Circuit type	Diagram	Remarks
A		<ul style="list-style-type: none"> <li>• Oscillation feedback resistor : 1 MΩ approx.</li> </ul>
B		<ul style="list-style-type: none"> <li>• Hysteresis input</li> <li>• Pull-up resistor : 50 kΩ approx.</li> </ul>
C		<ul style="list-style-type: none"> <li>• Hysteresis input</li> </ul>
D		<ul style="list-style-type: none"> <li>• CMOS level output</li> <li>• CMOS Hysteresis input</li> </ul>

# MB90540/540G/545/545G Series

Circuit type	Diagram	Remarks
E		<ul style="list-style-type: none"> <li>• CMOS level output</li> <li>• CMOS Hysteresis input</li> <li>• Analog input</li> </ul>
F		<ul style="list-style-type: none"> <li>• Hysteresis input</li> <li>• Pull-down Resistor : 50 kΩ approx. (except FLASH devices)</li> </ul>
G		<ul style="list-style-type: none"> <li>• CMOS level output</li> <li>• CMOS Hysteresis input</li> <li>• TTL level input (FLASH devices in FLASH writer mode only)</li> </ul>

# MB90540/540G/545/545G Series

Circuit type	Diagram	Remarks
H		<ul style="list-style-type: none"> <li>• CMOS level output</li> <li>• CMOS Hysteresis input</li> <li>• Programmable pullup resistor : 50 kΩ approx.</li> </ul>
I		<ul style="list-style-type: none"> <li>• CMOS level output</li> <li>• CMOS Hysteresis input</li> <li>• TTL level input (FLASH devices in FLASH writer mode only)</li> <li>• Programmable pullup resistor : 50 kΩ approx.</li> </ul>

# MB90540/540G/545/545G Series

## ■ HANDLING DEVICES

### (1) Preventing latch-up

CMOS IC chips may suffer latch-up under the following conditions :

- A voltage higher than  $V_{CC}$  or lower than  $V_{SS}$  is applied to an input or output pin.
- A voltage higher than the rated voltage is applied between  $V_{CC}$  and  $V_{SS}$ .
- The  $AV_{CC}$  power supply is applied before the  $V_{CC}$  voltage.

Latch-up may increase the power supply current drastically, causing thermal damage to the device.

For the same reason, care must also be taken in not allowing the analog power-supply voltage ( $AV_{CC}$ ,  $AVRH$ ) to exceed the digital power-supply voltage.

### (2) Handling unused pins

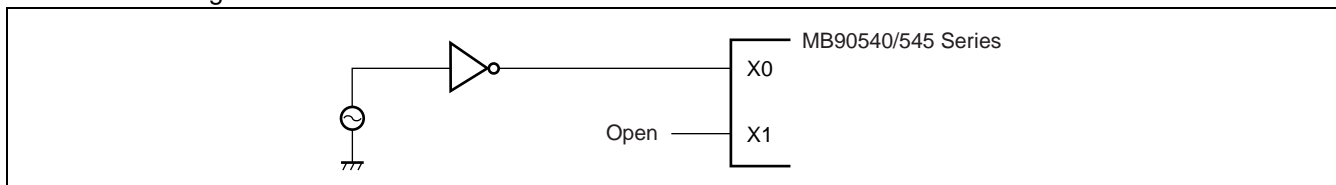
Leaving unused input pins open may result in misbehavior or latch up and possible permanent damage of the device. Therefore they must be pulled up or pulled down through resistors. In this case those resistors should be more than 2 k $\Omega$ .

Unused bi-directional pins should be set to the output state and can be left open, or the input state with the above described connection.

### (3) Using external clock

To use external clock, drive X0 pin only and leave X1 pin unconnected.

Below is a diagram of how to use external clock.



### (4) Use of the sub-clock

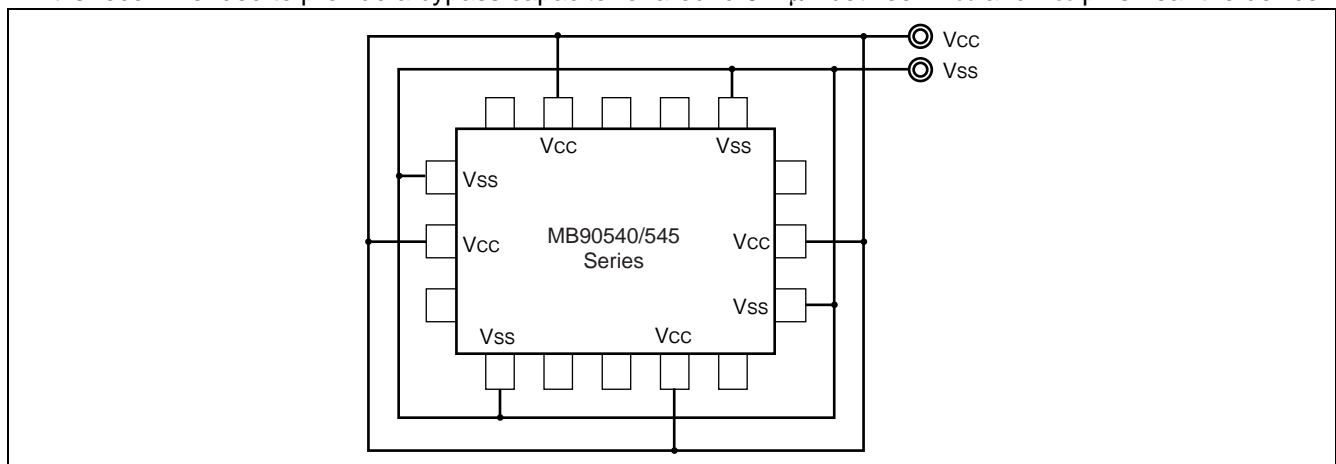
Use one clock system parts when the sub-clock is not used. In that case, pull-down the pin X0A and leave the pin X1A open. When using two clock system parts, a 32 kHz oscillator has to be connected to the X0A and X1A pins.

### (5) Power supply pins ( $V_{CC}/V_{SS}$ )

In products with multiple  $V_{CC}$  or  $V_{SS}$  pins, the pins of a same potential are internally connected in the device to avoid abnormal operations including latch-up. However you must connect the pins to an external power and a ground line to lower the electro-magnetic emission level to prevent abnormal operation of strobe signals caused by the rise in the ground level, and to conform to the total current rating.

Make sure to connect  $V_{CC}$  and  $V_{SS}$  pins via the lowest impedance to power lines.

It is recommended to provide a bypass capacitor of around 0.1  $\mu\text{F}$  between  $V_{CC}$  and  $V_{SS}$  pins near the device.





## (6) Pull-up/down resistors

The MB90540/545 Series does not support internal pull-up/down resistors (except Port0 – Port3 : pull-up resistors) . Use external components where needed.

## (7) Crystal Oscillator Circuit

Noises around X0 or X1 pins may be possible causes of abnormal operations. Make sure to provide bypass capacitors via the shortest distances from X0, X1 pins, crystal oscillator (or ceramic resonator) and ground lines, and make sure, to the utmost effort, that lines of oscillation circuits do not cross the lines of other circuits.

It is highly recommended to provide a printed circuit board artwork surrounding X0 and X1 pins with a ground area for stabilizing the operation.

## (8) Turning-on Sequence of Power Supply to A/D Converter and Analog Inputs

Make sure to turn on the A/D converter power supply ( $AV_{CC}$ ,  $AVRH$ ,  $AVRL$ ) and analog inputs (AN0 to AN7) after turning-on the digital power supply ( $V_{CC}$ ) .

Turn-off the digital power after turning off the A/D converter supply and analog inputs. In this case, make sure that the voltage does not exceed  $AVRH$  or  $AV_{CC}$  (turning on/off the analog and digital power supplies simultaneously is acceptable) .

## (9) Connection of Unused Pins of A/D Converter

Connect unused pins of A/D converter to  $AV_{CC} = V_{CC}$ ,  $AV_{SS} = AVRH = V_{SS}$ .

## (10) N.C. Pin

The N.C. (internally connected) pin must be opened for use.

## (11) Notes on Energization

To prevent the internal regulator circuit from malfunctioning, set the voltage rise time during energization at 50  $\mu$ s or more (0.2 V to 2.7 V) .

# MB90540/540G/545/545G Series

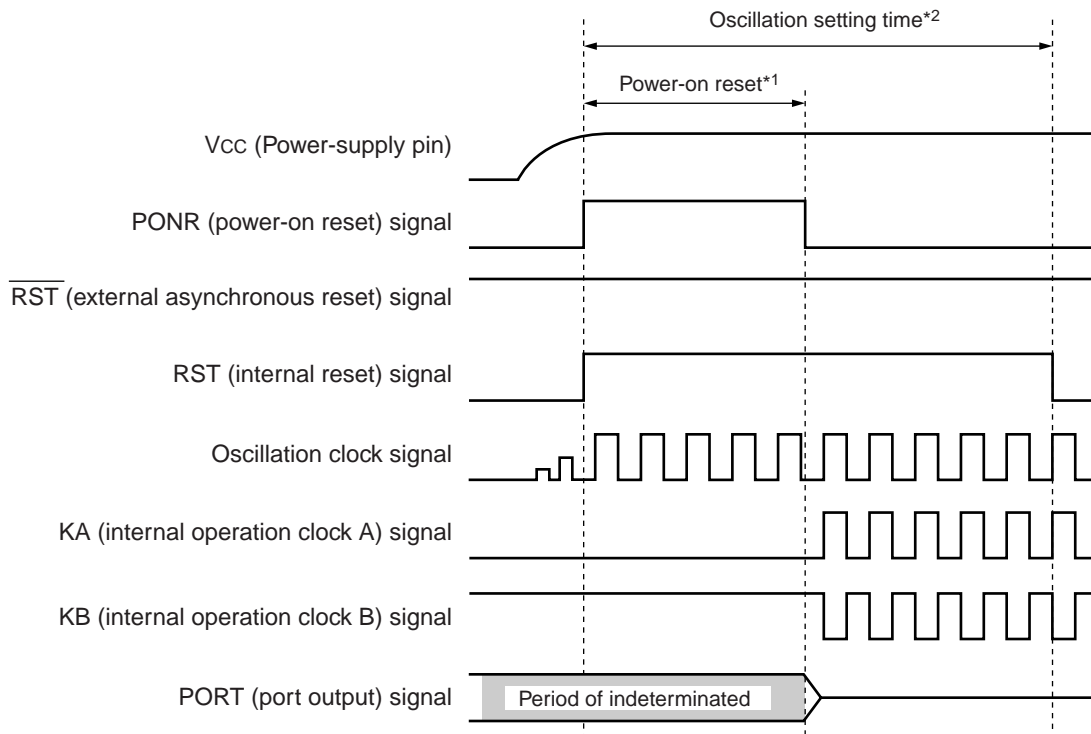
## (12) Indeterminate outputs from ports 0 and 1

During oscillation setting time of step-down circuit (during a power-on reset) after the power is turned on, the outputs from ports 0 and 1 become following state.

- If  $\overline{\text{RST}}$  pin is "H", the outputs become indeterminate.
- If  $\overline{\text{RST}}$  pin is "L", the outputs become high-impedance.

Pay attention to the port output timing shown as follow.

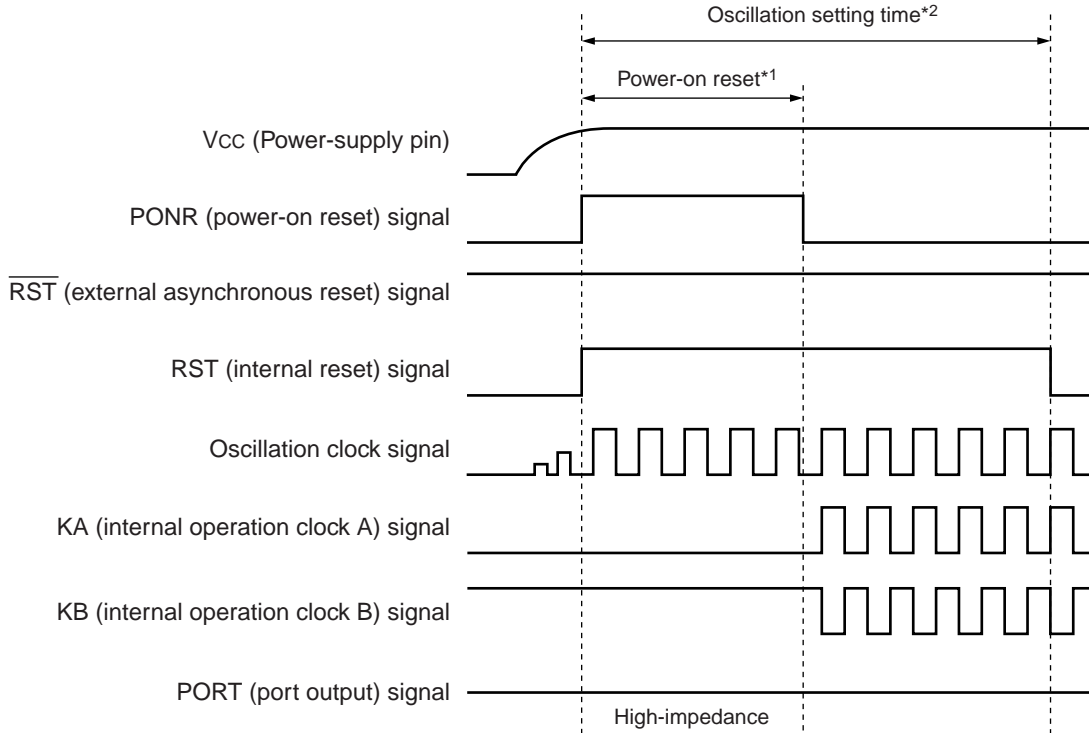
### • $\overline{\text{RST}}$ pin is "H"



\*1 : Power-on reset time : Period of "clock frequency  $\times 2^{17}$ " (Clock frequency of 16 MHz : 8.19 ms)

\*2 : Oscillation setting time : Period of "clock frequency  $\times 2^{18}$ " (Clock frequency of 16 MHz : 16.38 ms)

- $\overline{\text{RST}}$  pin is "L"



\*1 : Power-on reset time : Period of "clock frequency  $\times 2^{17}$ " (Clock frequency of 16 MHz : 8.19 ms)

\*2 : Oscillation setting time : Period of "clock frequency  $\times 2^{18}$ " (Clock frequency of 16 MHz : 16.38 ms)

### (13) Initialization

In the device, there are internal registers which are initialized only by a power-on reset. To initialize these registers, please turn on the power again.

### (14) Directions of "DIV A, Ri" and "DIVW A, RWi" instructions

In the Signed multiplication and division instructions ("DIV A, Ri" and "DIVW A, RWi"), the value of the corresponding bank register (DTB, ADB, USB, SSB) is set in "00h".

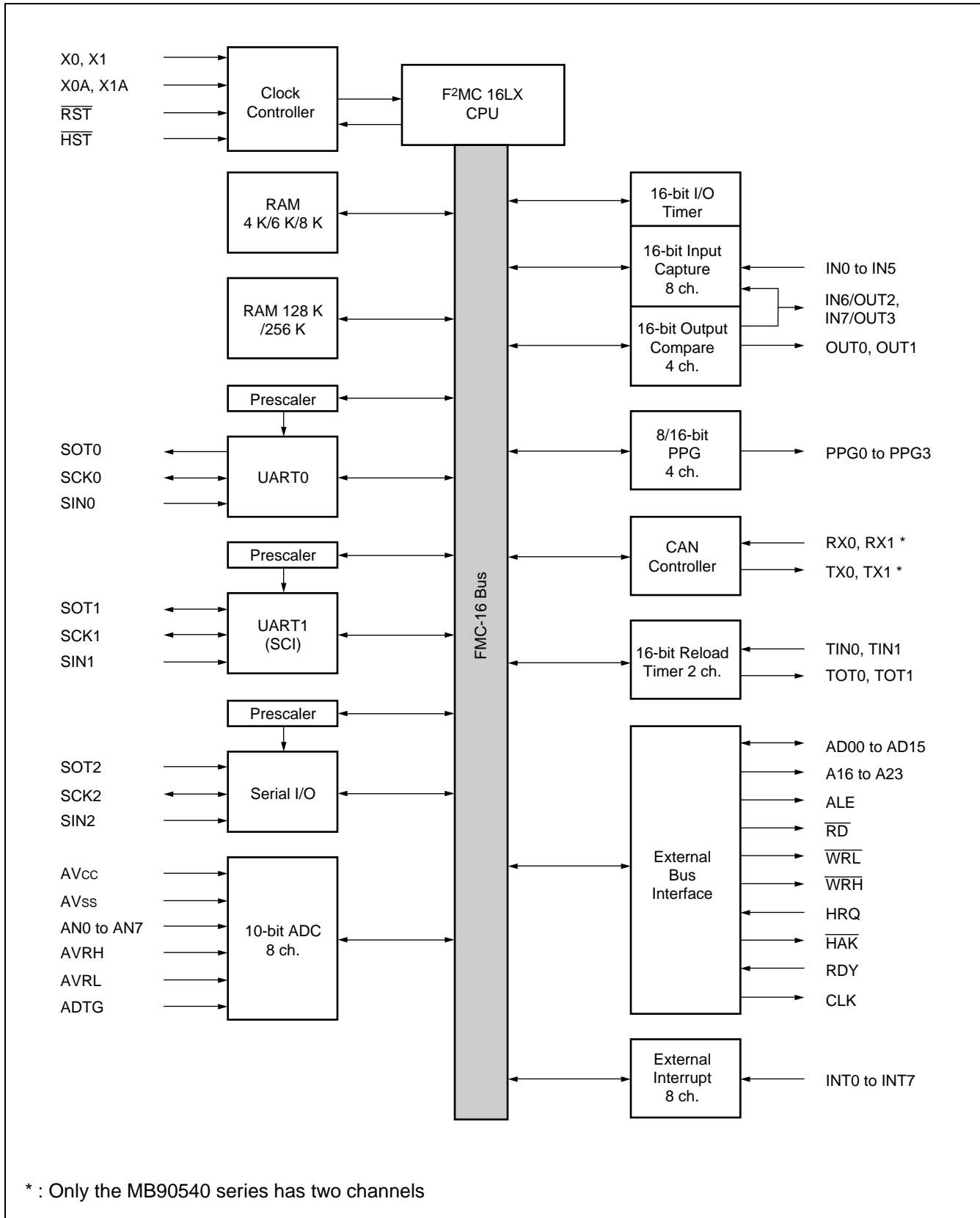
If the values of the corresponding bank registers (DTB, ADB, USB, SSB) are set to other than "00h", the remainder by the execution result of the instruction is not stored in the register of the instruction operand.

### (15) Using REALOS

The use of EI<sup>2</sup>OS is not possible with the REALOS real time operating system.

# MB90540/540G/545/545G Series

## ■ BLOCK DIAGRAM



# MB90540/540G/545/545G Series

## ■ MEMORY SPACE

The memory space of the MB90540/545 Series is shown below.

MB90V540 MB90V540G/F546G (S)		MB90F543 MB90F543G (S)		MB90F548G (S)		MB90F549 MB90549G (S) /F549G (S)	
FFFFFFH	ROM (FF bank)	FFFFFFH	ROM (FF bank)	FFFFFFH	ROM (FF bank)	FFFFFFH	ROM (FF bank)
FF0000H		FF0000H		FF0000H		FF0000H	
FEFFFFH	ROM (FE bank)	FEFFFFH	ROM (FE bank)	FEFFFFH	ROM (FE bank)	FEFFFFH	ROM (FE bank)
FE0000H		FE0000H		FE0000H		FE0000H	
FDFFFFH	ROM (FD bank)					FDFFFFH	ROM (FD bank)
FD0000H						FD0000H	
FCFFFFH	ROM (FC bank)		External		External	FCFFFFH	ROM (FC bank)
FC0000H						FC0000H	
	External						External
00FFFFH	ROM (Image of FF bank)	00FFFFH	ROM (Image of FF bank)	00FFFFH	ROM (Image of FF bank)	00FFFFH	ROM (Image of FF bank)
004000H		004000H		004000H		004000H	
003FFFH	Peripheral	003FFFH	Peripheral	003FFFH	Peripheral	003FFFH	Peripheral
003900H		003900H		003900H		003900H	
	External		External		External		External
0020FFH		002000H		002000H		002100H*	
001FF5H	ROM correction	0018FFH				0018FFH	
001FF0H			RAM 6 K	0010FFH			RAM 6 K
	RAM 8 K				RAM 4 K		
000100H		000100H		000100H		000100H	
	External		External		External		External
0000BFH		0000BFH	Peripheral	0000BFH	Peripheral	0000BFH	Peripheral
000000H	Peripheral	000000H	Peripheral	000000H	Peripheral	000000H	Peripheral

\* : 002000H for MB90F549

The high-order portion of bank 00 gives the image of the FF bank ROM to make the small model of the C compiler effective. Since the low-order 16 bits are the same, the table in ROM can be referenced without using the “far” specification in the pointer declaration.

For example, an attempt to access 00C000H accesses the value at FFC000H in ROM. The ROM area in bank FF exceeds 48 Kbytes, and its entire image cannot be shown in bank 00. The image between FF4000H and FFFFFFFH is visible in bank 00, while the image between FF0000H and FF3FFFH is visible only in bank FF.

# MB90540/540G/545/545G Series

## ■ I/O MAP

Address	Register	Abbreviation	Access	Peripheral	Initial value
00H	Port 0 data register	PDR0	R/W	Port 0	XXXXXXXX <sub>B</sub>
01H	Port 1 data register	PDR1	R/W	Port 1	XXXXXXXX <sub>B</sub>
02H	Port 2 data register	PDR2	R/W	Port 2	XXXXXXXX <sub>B</sub>
03H	Port 3 data register	PDR3	R/W	Port 3	XXXXXXXX <sub>B</sub>
04H	Port 4 data register	PDR4	R/W	Port 4	XXXXXXXX <sub>B</sub>
05H	Port 5 data register	PDR5	R/W	Port 5	XXXXXXXX <sub>B</sub>
06H	Port 6 data register	PDR6	R/W	Port 6	XXXXXXXX <sub>B</sub>
07H	Port 7 data register	PDR7	R/W	Port 7	XXXXXXXX <sub>B</sub>
08H	Port 8 data register	PDR8	R/W	Port 8	XXXXXXXX <sub>B</sub>
09H	Port 9 data register	PDR9	R/W	Port 9	XXXXXXXX <sub>B</sub>
0AH	Port A data register	PDRA	R/W	Port A	_____X <sub>B</sub>
0BH to 0FH	Reserved				
10H	Port 0 direction register	DDR0	R/W	Port 0	0 0 0 0 0 0 0 0 <sub>B</sub>
11H	Port 1 direction register	DDR1	R/W	Port 1	0 0 0 0 0 0 0 0 <sub>B</sub>
12H	Port 2 direction register	DDR2	R/W	Port 2	0 0 0 0 0 0 0 0 <sub>B</sub>
13H	Port 3 direction register	DDR3	R/W	Port 3	0 0 0 0 0 0 0 0 <sub>B</sub>
14H	Port 4 direction register	DDR4	R/W	Port 4	0 0 0 0 0 0 0 0 <sub>B</sub>
15H	Port 5 direction register	DDR5	R/W	Port 5	0 0 0 0 0 0 0 0 <sub>B</sub>
16H	Port 6 direction register	DDR6	R/W	Port 6	0 0 0 0 0 0 0 0 <sub>B</sub>
17H	Port 7 direction register	DDR7	R/W	Port 7	0 0 0 0 0 0 0 0 <sub>B</sub>
18H	Port 8 direction register	DDR8	R/W	Port 8	0 0 0 0 0 0 0 0 <sub>B</sub>
19H	Port 9 direction register	DDR9	R/W	Port 9	0 0 0 0 0 0 0 0 <sub>B</sub>
1AH	Port A direction register	DDRA	R/W	Port A	_____0 <sub>B</sub>
1BH	Analog Input Enable register	ADER	R/W	Port 6, A/D	1 1 1 1 1 1 1 1 <sub>B</sub>
1CH	Port 0 Pullup control register	PUCR0	R/W	Port 0	0 0 0 0 0 0 0 0 <sub>B</sub>
1DH	Port 1 Pullup control register	PUCR1	R/W	Port 1	0 0 0 0 0 0 0 0 <sub>B</sub>
1EH	Port 2 Pullup control register	PUCR2	R/W	Port 2	0 0 0 0 0 0 0 0 <sub>B</sub>
1FH	Port 3 Pullup control register	PUCR3	R/W	Port 3	0 0 0 0 0 0 0 0 <sub>B</sub>
20H	Serial Mode Control Register 0	UMC0	R/W	UART0	0 0 0 0 0 1 0 0 <sub>B</sub>
21H	Serial Status Register 0	USR0	R/W		0 0 0 1 0 0 0 0 <sub>B</sub>
22H	Serial input data register 0/ Serial output data register 0	UIDR0/ UODR0	R/W		XXXXXXXX <sub>B</sub>
23H	Rate and data register 0	URD0	R/W		0 0 0 0 0 0 0 X <sub>B</sub>

(Continued)

# MB90540/540G/545/545G Series

Address	Register	Abbreviation	Access	Peripheral	Initial value
24 <sub>H</sub>	Serial mode register 1	SMR1	R/W	UART1	0 0 0 0 0 0 0 0 <sub>B</sub>
25 <sub>H</sub>	Serial control register 1	SCR1	R/W		0 0 0 0 0 1 0 0 <sub>B</sub>
26 <sub>H</sub>	Serial input data register 1/ Serial output data register 1	SIDR1/ SODR1	R/W		XXXXXXXX <sub>B</sub>
27 <sub>H</sub>	Serial status register 1	SSR1	R/W		0 0 0 0 1_0 0 <sub>B</sub>
28 <sub>H</sub>	UART1 prescaler control register	U1CDCR	R/W		0_ _ _ 1 1 1 1 <sub>B</sub>
29 <sub>H</sub>	Serial Edge select register	SES1	R/W		_ _ _ _ _ _ 0 <sub>B</sub>
2A <sub>H</sub>	Reserved				
2B <sub>H</sub>	Serial IO prescaler	SCDCR	R/W	Serial IO	0_ _ _ 1 1 1 1 <sub>B</sub>
2C <sub>H</sub>	Serial mode control register	SMCS	R/W		_ _ _ _ 0 0 0 0 <sub>B</sub>
2D <sub>H</sub>	Serial mode control register	SMCS	R/W		0 0 0 0 0 1 0 <sub>B</sub>
2E <sub>H</sub>	Serial data register	SDR	R/W		XXXXXXXX <sub>B</sub>
2F <sub>H</sub>	Serial Edge select register	SES2	R/W		_ _ _ _ _ _ 0 <sub>B</sub>
30 <sub>H</sub>	External interrupt enable register	ENIR	R/W		External Interrupt
31 <sub>H</sub>	External interrupt request register	EIRR	R/W	XXXXXXXX <sub>B</sub>	
32 <sub>H</sub>	External interrupt level register	ELVR	R/W	0 0 0 0 0 0 0 0 <sub>B</sub>	
33 <sub>H</sub>	External interrupt level register	ELVR	R/W	0 0 0 0 0 0 0 0 <sub>B</sub>	
34 <sub>H</sub>	A/D control status register 0	ADCS0	R/W	A/D Converter	0 0 0 0 0 0 0 0 <sub>B</sub>
35 <sub>H</sub>	A/D control status register 1	ADCS1	R/W		0 0 0 0 0 0 0 0 <sub>B</sub>
36 <sub>H</sub>	A/D data register 0	ADCR0	R		XXXXXXXX <sub>B</sub>
37 <sub>H</sub>	A/D data register 1	ADCR1	R/W		0 0 0 0 1_ _ XX <sub>B</sub>
38 <sub>H</sub>	PPG0 operation mode control register	PPGC0	R/W	16-bit Programmable Pulse Generator 0/1	0_ 0 0 0_ _ 1 <sub>B</sub>
39 <sub>H</sub>	PPG1 operation mode control register	PPGC1	R/W		0_ 0 0 0 0 0 1 <sub>B</sub>
3A <sub>H</sub>	PPG0/1 clock selection register	PPG01	R/W		0 0 0 0 0 0_ _ <sub>B</sub>
3B <sub>H</sub>	Reserved				
3C <sub>H</sub>	PPG2 operation mode control register	PPGC2	R/W	16-bit Programmable Pulse Generator 2/3	0_ 0 0 0_ _ 1 <sub>B</sub>
3D <sub>H</sub>	PPG3 operation mode control register	PPGC3	R/W		0_ 0 0 0 0 0 1 <sub>B</sub>
3E <sub>H</sub>	PPG2/3 Clock Selection Register	PPG23	R/W		0 0 0 0 0 0_ _ <sub>B</sub>
3F <sub>H</sub>	Reserved				
40 <sub>H</sub>	PPG4 operation mode control register	PPGC4	R/W	16-bit Programmable Pulse Generator 4/5	0_ 0 0 0_ _ 1 <sub>B</sub>
41 <sub>H</sub>	PPG5 operation mode control register	PPGC5	R/W		0_ 0 0 0 0 0 1 <sub>B</sub>
42 <sub>H</sub>	PPG4/5 clock selection register	PPG45	R/W		0 0 0 0 0 0_ _ <sub>B</sub>
43 <sub>H</sub>	Reserved				
44 <sub>H</sub>	PPG6 operation mode control register	PPGC6	R/W	16-bit Programmable Pulse Generator 6/7	0_ 0 0 0_ _ 1 <sub>B</sub>
45 <sub>H</sub>	PPG7 operation mode control register	PPGC7	R/W		0_ 0 0 0 0 0 1 <sub>B</sub>
46 <sub>H</sub>	PPG6/7 clock selection register	PPG67	R/W		0 0 0 0 0 0_ _ <sub>B</sub>

(Continued)

# MB90540/540G/545/545G Series

Address	Register	Abbreviation	Access	Peripheral	Initial value
47 <sub>H</sub> to 4B <sub>H</sub>	Reserved				
4C <sub>H</sub>	Input capture control status register 0/1	ICS01	R/W	Input Capture 0/1	0 0 0 0 0 0 0 0 <sub>B</sub>
4D <sub>H</sub>	Input capture control status register 2/3	ICS23	R/W	Input Capture 2/3	0 0 0 0 0 0 0 0 <sub>B</sub>
4E <sub>H</sub>	Input capture control status register 4/5	ICS45	R/W	Input Capture 4/5	0 0 0 0 0 0 0 0 <sub>B</sub>
4F <sub>H</sub>	Input capture control status register 6/7	ICS67	R/W	Input Capture 6/7	0 0 0 0 0 0 0 0 <sub>B</sub>
50 <sub>H</sub>	Timer control status register 0	TMCSR0	R/W	16-bit Reload Timer 0	0 0 0 0 0 0 0 0 <sub>B</sub>
51 <sub>H</sub>	Timer control status register 0	TMCSR0	R/W		_____ 0 0 0 0 <sub>B</sub>
52 <sub>H</sub>	Timer register 0/reload register 0	TMR0/ TMRLR0	R/W		XXXXXXXX <sub>B</sub>
53 <sub>H</sub>	Timer register 0/reload register 0	TMR0/ TMRLR0	R/W		XXXXXXXX <sub>B</sub>
54 <sub>H</sub>	Timer control status register 1	TMCSR1	R/W	16-bit Reload Timer 1	0 0 0 0 0 0 0 0 <sub>B</sub>
55 <sub>H</sub>	Timer control status register 1	TMCSR1	R/W		_____ 0 0 0 0 <sub>B</sub>
56 <sub>H</sub>	Timer register 1/reload register 1	TMR1/ TMRLR1	R/W		XXXXXXXX <sub>B</sub>
57 <sub>H</sub>	Timer register 1/reload register 1	TMR1/ TMRLR1	R/W		XXXXXXXX <sub>B</sub>
58 <sub>H</sub>	Output compare control status register 0	OCS0	R/W	Output Compare 0/1	0 0 0 0 _ _ 0 0 <sub>B</sub>
59 <sub>H</sub>	Output compare control status register 1	OCS1	R/W		_ _ _ 0 0 0 0 0 0 <sub>B</sub>
5A <sub>H</sub>	Output compare control status register 2	OCS2	R/W	Output Compare 2/3	0 0 0 0 _ _ 0 0 <sub>B</sub>
5B <sub>H</sub>	Output compare control status register 3	OCS3	R/W		_ _ _ 0 0 0 0 0 0 <sub>B</sub>
5C <sub>H</sub> to 6B <sub>H</sub>	Reserved				
6C <sub>H</sub>	Timer Data register	TCDT	R/W	I/O Timer	0 0 0 0 0 0 0 0 <sub>B</sub>
6D <sub>H</sub>	Timer Data register	TCDT	R/W		0 0 0 0 0 0 0 0 <sub>B</sub>
6E <sub>H</sub>	Timer Control register	TCCS	R/W		0 0 0 0 0 0 0 0 <sub>B</sub>
6F <sub>H</sub>	ROM mirror function selection register	ROMM	R/W	ROM Mirror	_____ 1 <sub>B</sub>
70 <sub>H</sub> to 7F <sub>H</sub>	Reserved for CAN 0 Interface. Refer to "CAN Controller Hardware Manual"				
80 <sub>H</sub> to 8F <sub>H</sub>	Reserved for CAN 1 Interface. Refer to "CAN Controller Hardware Manual"				
90 <sub>H</sub> to 9D <sub>H</sub>	Reserved				
9E <sub>H</sub>	Program address detection control status register	PACSR	R/W	Address Match Detection Function	0 0 0 0 0 0 0 0 <sub>B</sub>
9F <sub>H</sub>	Delayed interrupt/release register	DIRR	R/W	Delayed Interrupt	_____ 0 <sub>B</sub>
A0 <sub>H</sub>	Low-power mode control register	LPMCR	R/W	Low Power Controller	0 0 0 1 1 0 0 0 <sub>B</sub>
A1 <sub>H</sub>	Clock selection register	CKSCR	R/W	Low Power Controller	1 1 1 1 1 1 0 0 <sub>B</sub>

(Continued)



# MB90540/540G/545/545G Series

(Continued)

Address	Register	Abbreviation	Access	Peripheral	Initial value
A2 <sub>H</sub> to A4 <sub>H</sub>	Reserved				
A5 <sub>H</sub>	Automatic ready function select register	ARSR	W	External Memory Access	0 0 1 1 _ _ 0 0 <sub>B</sub>
A6 <sub>H</sub>	External address output control register	HACR	W		0 0 0 0 0 0 0 0 <sub>B</sub>
A7 <sub>H</sub>	Bus control signal selection register	ECSR	W		0 0 0 0 0 0 0 _ <sub>B</sub>
A8 <sub>H</sub>	Watchdog Timer control register	WDTC	R/W	Watchdog Timer	XXXXX 1 1 1 <sub>B</sub>
A9 <sub>H</sub>	Time Base Timer Control register	TBTC	R/W	Time Base Timer	1 - - 0 0 1 0 0 <sub>B</sub>
AA <sub>H</sub>	Watch timer control register	WTC	R/W	Watch Timer	1 X 0 0 0 0 0 0 <sub>B</sub>
AB <sub>H</sub> to AD <sub>H</sub>	Reserved				
AE <sub>H</sub>	Flash memory control status register (Flash only, otherwise reserved)	FMCS	R/W	Flash Memory	0 0 0 X 0 0 0 0 <sub>B</sub>
AF <sub>H</sub>	Reserved				
B0 <sub>H</sub>	Interrupt control register 00	ICR00	R/W	Interrupt controller	0 0 0 0 0 1 1 1 <sub>B</sub>
B1 <sub>H</sub>	Interrupt control register 01	ICR01	R/W		0 0 0 0 0 1 1 1 <sub>B</sub>
B2 <sub>H</sub>	Interrupt control register 02	ICR02	R/W		0 0 0 0 0 1 1 1 <sub>B</sub>
B3 <sub>H</sub>	Interrupt control register 03	ICR03	R/W		0 0 0 0 0 1 1 1 <sub>B</sub>
B4 <sub>H</sub>	Interrupt control register 04	ICR04	R/W		0 0 0 0 0 1 1 1 <sub>B</sub>
B5 <sub>H</sub>	Interrupt control register 05	ICR05	R/W		0 0 0 0 0 1 1 1 <sub>B</sub>
B6 <sub>H</sub>	Interrupt control register 06	ICR06	R/W		0 0 0 0 0 1 1 1 <sub>B</sub>
B7 <sub>H</sub>	Interrupt control register 07	ICR07	R/W		0 0 0 0 0 1 1 1 <sub>B</sub>
B8 <sub>H</sub>	Interrupt control register 08	ICR08	R/W		0 0 0 0 0 1 1 1 <sub>B</sub>
B9 <sub>H</sub>	Interrupt control register 09	ICR09	R/W		0 0 0 0 0 1 1 1 <sub>B</sub>
BA <sub>H</sub>	Interrupt control register 10	ICR10	R/W		0 0 0 0 0 1 1 1 <sub>B</sub>
BB <sub>H</sub>	Interrupt control register 11	ICR11	R/W		0 0 0 0 0 1 1 1 <sub>B</sub>
BC <sub>H</sub>	Interrupt control register 12	ICR12	R/W		0 0 0 0 0 1 1 1 <sub>B</sub>
BD <sub>H</sub>	Interrupt control register 13	ICR13	R/W		0 0 0 0 0 1 1 1 <sub>B</sub>
BE <sub>H</sub>	Interrupt control register 14	ICR14	R/W		0 0 0 0 0 1 1 1 <sub>B</sub>
BF <sub>H</sub>	Interrupt control register 15	ICR15	R/W		0 0 0 0 0 1 1 1 <sub>B</sub>
C0 <sub>H</sub> to FF <sub>H</sub>	External				

Address	Register	Abbreviation	Access	Peripheral	Initial value
1FF0 <sub>H</sub>	Program address detection register 0	PADR0	R/W	Address Match Detection Function	XXXXXXXX <sub>B</sub>
1FF1 <sub>H</sub>	Program address detection register 0	PADR0	R/W		XXXXXXXX <sub>B</sub>
1FF2 <sub>H</sub>	Program address detection register 0	PADR0	R/W		XXXXXXXX <sub>B</sub>
1FF3 <sub>H</sub>	Program address detection register 1	PADR1	R/W		XXXXXXXX <sub>B</sub>
1FF4 <sub>H</sub>	Program address detection register 1	PADR1	R/W		XXXXXXXX <sub>B</sub>
1FF5 <sub>H</sub>	Program address detection register 1	PADR1	R/W		XXXXXXXX <sub>B</sub>

# MB90540/540G/545/545G Series

Address	Register	Abbreviation	Access	Peripheral	Initial value
3900 <sub>H</sub>	Reload L	PRL0	R/W	16-bit Programmable Pulse Generator 0/1	XXXXXXXX <sub>B</sub>
3901 <sub>H</sub>	Reload H	PRLH0	R/W		XXXXXXXX <sub>B</sub>
3902 <sub>H</sub>	Reload L	PRL1	R/W		XXXXXXXX <sub>B</sub>
3903 <sub>H</sub>	Reload H	PRLH1	R/W		XXXXXXXX <sub>B</sub>
3904 <sub>H</sub>	Reload L	PRL2	R/W	16-bit Programmable Pulse Generator 2/3	XXXXXXXX <sub>B</sub>
3905 <sub>H</sub>	Reload H	PRLH2	R/W		XXXXXXXX <sub>B</sub>
3906 <sub>H</sub>	Reload L	PRL3	R/W		XXXXXXXX <sub>B</sub>
3907 <sub>H</sub>	Reload H	PRLH3	R/W		XXXXXXXX <sub>B</sub>
3908 <sub>H</sub>	Reload L	PRL4	R/W	16-bit Programmable Pulse Generator 4/5	XXXXXXXX <sub>B</sub>
3909 <sub>H</sub>	Reload H	PRLH4	R/W		XXXXXXXX <sub>B</sub>
390A <sub>H</sub>	Reload L	PRL5	R/W		XXXXXXXX <sub>B</sub>
390B <sub>H</sub>	Reload H	PRLH5	R/W		XXXXXXXX <sub>B</sub>
390C <sub>H</sub>	Reload L	PRL6	R/W	16-bit Programmable Pulse Generator 6/7	XXXXXXXX <sub>B</sub>
390D <sub>H</sub>	Reload H	PRLH6	R/W		XXXXXXXX <sub>B</sub>
390E <sub>H</sub>	Reload L	PRL7	R/W		XXXXXXXX <sub>B</sub>
390F <sub>H</sub>	Reload H	PRLH7	R/W		XXXXXXXX <sub>B</sub>
3910 <sub>H</sub> to 3917 <sub>H</sub>	Reserved				
3918 <sub>H</sub>	Input Capture 0	IPCP0	R	Input Capture 0/1	XXXXXXXX <sub>B</sub>
3919 <sub>H</sub>	Input Capture 0	IPCP0	R		XXXXXXXX <sub>B</sub>
391A <sub>H</sub>	Input Capture 1	IPCP1	R		XXXXXXXX <sub>B</sub>
391B <sub>H</sub>	Input Capture 1	IPCP1	R		XXXXXXXX <sub>B</sub>
391C <sub>H</sub>	Input Capture 2	IPCP2	R	Input Capture 2/3	XXXXXXXX <sub>B</sub>
391D <sub>H</sub>	Input Capture 2	IPCP2	R		XXXXXXXX <sub>B</sub>
391E <sub>H</sub>	Input Capture 3	IPCP3	R		XXXXXXXX <sub>B</sub>
391F <sub>H</sub>	Input Capture 3	IPCP3	R		XXXXXXXX <sub>B</sub>
3920 <sub>H</sub>	Input Capture 4	IPCP4	R	Input Capture 4/5	XXXXXXXX <sub>B</sub>
3921 <sub>H</sub>	Input Capture 4	IPCP4	R		XXXXXXXX <sub>B</sub>
3922 <sub>H</sub>	Input Capture 5	IPCP5	R		XXXXXXXX <sub>B</sub>
3923 <sub>H</sub>	Input Capture 5	IPCP5	R		XXXXXXXX <sub>B</sub>
3924 <sub>H</sub>	Input Capture 6	IPCP6	R	Input Capture 6/7	XXXXXXXX <sub>B</sub>
3925 <sub>H</sub>	Input Capture 6	IPCP6	R		XXXXXXXX <sub>B</sub>
3926 <sub>H</sub>	Input Capture 7	IPCP7	R		XXXXXXXX <sub>B</sub>
3927 <sub>H</sub>	Input Capture 7	IPCP7	R		XXXXXXXX <sub>B</sub>

(Continued)

# MB90540/540G/545/545G Series

(Continued)

Address	Register	Abbreviation	Access	Peripheral	Initial value
3928 <sub>H</sub>	Output Compare 0	OCCP0	R/W	Output Compare 0/1	XXXXXXXX <sub>B</sub>
3929 <sub>H</sub>	Output Compare 0	OCCP0	R/W		XXXXXXXX <sub>B</sub>
392A <sub>H</sub>	Output Compare 1	OCCP1	R/W		XXXXXXXX <sub>B</sub>
392B <sub>H</sub>	Output Compare 1	OCCP1	R/W		XXXXXXXX <sub>B</sub>
392C <sub>H</sub>	Output Compare 2	OCCP2	R/W	Output Compare 2/3	XXXXXXXX <sub>B</sub>
392D <sub>H</sub>	Output Compare 2	OCCP2	R/W		XXXXXXXX <sub>B</sub>
392E <sub>H</sub>	Output Compare 3	OCCP3	R/W		XXXXXXXX <sub>B</sub>
392F <sub>H</sub>	Output Compare 3	OCCP3	R/W		XXXXXXXX <sub>B</sub>
3930 <sub>H</sub> to 39FF <sub>H</sub>	Reserved				
3A00 <sub>H</sub> to 3AFF <sub>H</sub>	Reserved for CAN 0 Interface. Refer to “CAN Controller Hardware Manual”				
3B00 <sub>H</sub> to 3BFF <sub>H</sub>	Reserved for CAN 0 Interface. Refer to “CAN Controller Hardware Manual”				
3C00 <sub>H</sub> to 3CFF <sub>H</sub>	Reserved for CAN 1 Interface. Refer to “CAN Controller Hardware Manual”				
3D00 <sub>H</sub> to 3DFF <sub>H</sub>	Reserved for CAN 1 Interface. Refer to “CAN Controller Hardware Manual”				
3E00 <sub>H</sub> to 3FFF <sub>H</sub>	Reserved				

Note : Initial value of “\_” represents unused bit, “X” represents unknown value.

Addresses in the range 0000<sub>H</sub> to 00FF<sub>H</sub>, which are not listed in the table, are reserved for the primary functions of the MCU. A read access to these reserved addresses results in an “X” reading and any write access should not be performed.

# MB90540/540G/545/545G Series

## ■ CAN CONTROLLER

The MB90540 series contains two CAN controllers (CAN0 and CAN1), the MB90545 series contains only one (CAN0). The Evaluation Chip MB90V540 also has two CAN controllers.

The CAN controller has the following features:

- Conforms to CAN Specification Version 2.0 Part A and B
  - Supports transmission/reception in standard frame and extended frame formats
- Supports transmission of data frames by receiving remote frames
- 16 transmitting/receiving message buffers
  - 29-bit ID and 8-byte data
  - Multi-level message buffer configuration
- Provides full-bit comparison, full-bit mask, acceptance register 0/acceptance register 1 for each message buffer as 1D acceptance mask
  - Two acceptance mask registers in either standard frame format or extended frame formats
- Bit rate programmable from 10 Kbit/s to 1 Mbit/s (when input clock is at 16 MHz)

**List of Control Registers**

Address		Register	Abbreviation	Access	Initial Value
CAN0	CAN1				
000070 <sub>H</sub>	000080 <sub>H</sub>	Message buffer valid register	BVALR	R/W	00000000 00000000 <sub>B</sub>
000071 <sub>H</sub>	000081 <sub>H</sub>				
000072 <sub>H</sub>	000082 <sub>H</sub>	Transmit request register	TREQR	R/W	00000000 00000000 <sub>B</sub>
000073 <sub>H</sub>	000083 <sub>H</sub>				
000074 <sub>H</sub>	000084 <sub>H</sub>	Transmit cancel register	TCANR	W	00000000 00000000 <sub>B</sub>
000075 <sub>H</sub>	000085 <sub>H</sub>				
000076 <sub>H</sub>	000086 <sub>H</sub>	Transmit complete register	TCR	R/W	00000000 00000000 <sub>B</sub>
000077 <sub>H</sub>	000087 <sub>H</sub>				
000078 <sub>H</sub>	000088 <sub>H</sub>	Receive complete register	RCR	R/W	00000000 00000000 <sub>B</sub>
000079 <sub>H</sub>	000089 <sub>H</sub>				
00007A <sub>H</sub>	00008A <sub>H</sub>	Remote request receiving register	RRTRR	R/W	00000000 00000000 <sub>B</sub>
00007B <sub>H</sub>	00008B <sub>H</sub>				
00007C <sub>H</sub>	00008C <sub>H</sub>	Receive overrun register	ROVRR	R/W	00000000 00000000 <sub>B</sub>
00007D <sub>H</sub>	00008D <sub>H</sub>				
00007E <sub>H</sub>	00008E <sub>H</sub>	Receive interrupt enable register	RIER	R/W	00000000 00000000 <sub>B</sub>
00007F <sub>H</sub>	00008F <sub>H</sub>				

# MB90540/540G/545/545G Series

**List of Control Registers**

Address		Register	Abbreviation	Access	Initial Value
CAN0	CAN1				
003B00 <sub>H</sub>	003D00 <sub>H</sub>	Control status register	CSR	R/W, R	00---000 0----0-1 <sub>B</sub>
003B01 <sub>H</sub>	003D01 <sub>H</sub>				
003B02 <sub>H</sub>	003D02 <sub>H</sub>	Last event indicator register	LEIR	R/W	----- 000-0000 <sub>B</sub>
003B03 <sub>H</sub>	003D03 <sub>H</sub>				
003B04 <sub>H</sub>	003D04 <sub>H</sub>	Receive/transmit error counter	RTEC	R	00000000 00000000 <sub>B</sub>
003B05 <sub>H</sub>	003D05 <sub>H</sub>				
003B06 <sub>H</sub>	003D06 <sub>H</sub>	Bit timing register	BTR	R/W	-11111111 11111111 <sub>B</sub>
003B07 <sub>H</sub>	003D07 <sub>H</sub>				
003B08 <sub>H</sub>	003D08 <sub>H</sub>	IDE register	IDER	R/W	XXXXXXXX XXXXXXXX <sub>B</sub>
003B09 <sub>H</sub>	003D09 <sub>H</sub>				
003B0A <sub>H</sub>	003D0A <sub>H</sub>	Transmit RTR register	TRTRR	R/W	00000000 00000000 <sub>B</sub>
003B0B <sub>H</sub>	003D0B <sub>H</sub>				
003B0C <sub>H</sub>	003D0C <sub>H</sub>	Remote frame receive waiting register	RFWTR	R/W	XXXXXXXX XXXXXXXX <sub>B</sub>
003B0D <sub>H</sub>	003D0D <sub>H</sub>				
003B0E <sub>H</sub>	003D0E <sub>H</sub>	Transmit interrupt enable register	TIER	R/W	00000000 00000000 <sub>B</sub>
003B0F <sub>H</sub>	003D0F <sub>H</sub>				
003B10 <sub>H</sub>	003D10 <sub>H</sub>	Acceptance mask select register	AMSR	R/W	XXXXXXXX XXXXXXXX <sub>B</sub>
003B11 <sub>H</sub>	003D11 <sub>H</sub>				XXXXXXXX XXXXXXXX <sub>B</sub>
003B12 <sub>H</sub>	003D12 <sub>H</sub>				XXXXXXXX XXXXXXXX <sub>B</sub>
003B13 <sub>H</sub>	003D13 <sub>H</sub>	Acceptance mask register 0	AMR0	R/W	XXXXXXXX XXXXXXXX <sub>B</sub>
003B14 <sub>H</sub>	003D14 <sub>H</sub>				XXXXXXXX XXXXXXXX <sub>B</sub>
003B15 <sub>H</sub>	003D15 <sub>H</sub>				XXXXX--- XXXXXXXX <sub>B</sub>
003B16 <sub>H</sub>	003D16 <sub>H</sub>				XXXXXXXX XXXXXXXX <sub>B</sub>
003B17 <sub>H</sub>	003D17 <sub>H</sub>	Acceptance mask register 1	AMR1	R/W	XXXXXXXX XXXXXXXX <sub>B</sub>
003B18 <sub>H</sub>	003D18 <sub>H</sub>				XXXXXXXX XXXXXXXX <sub>B</sub>
003B19 <sub>H</sub>	003D19 <sub>H</sub>				XXXXX--- XXXXXXXX <sub>B</sub>
003B1A <sub>H</sub>	003D1A <sub>H</sub>				XXXXXXXX XXXXXXXX <sub>B</sub>
003B1B <sub>H</sub>	003D1B <sub>H</sub>				

# MB90540/540G/545/545G Series

List of Message Buffers (ID Registers) (1)

Address		Register	Abbreviation	Access	Initial Value
CAN0	CAN1				
003A00H to 003A1FH	003C00H to 003C1FH	General-purpose RAM	—	R/W	XXXXXXXX <sub>B</sub> to XXXXXXXX <sub>B</sub>
003A20H	003C20H	ID register 0	IDR0	R/W	XXXXXXXX XXXXXXXX <sub>B</sub>
003A21H	003C21H				XXXXX--- XXXXXXXX <sub>B</sub>
003A22H	003C22H				
003A23H	003C23H				
003A24H	003C24H	ID register 1	IDR1	R/W	XXXXXXXX XXXXXXXX <sub>B</sub>
003A25H	003C25H				XXXXX--- XXXXXXXX <sub>B</sub>
003A26H	003C26H				
003A27H	003C27H				
003A28H	003C28H	ID register 2	IDR2	R/W	XXXXXXXX XXXXXXXX <sub>B</sub>
003A29H	003C29H				XXXXX--- XXXXXXXX <sub>B</sub>
003A2AH	003C2AH				
003A2BH	003C2BH				
003A2CH	003C2CH	ID register 3	IDR3	R/W	XXXXXXXX XXXXXXXX <sub>B</sub>
003A2DH	003C2DH				XXXXX--- XXXXXXXX <sub>B</sub>
003A2EH	003C2EH				
003A2FH	003C2FH				
003A30H	003C30H	ID register 4	IDR4	R/W	XXXXXXXX XXXXXXXX <sub>B</sub>
003A31H	003C31H				XXXXX--- XXXXXXXX <sub>B</sub>
003A32H	003C32H				
003A33H	003C33H				
003A34H	003C34H	ID register 5	IDR5	R/W	XXXXXXXX XXXXXXXX <sub>B</sub>
003A35H	003C35H				XXXXX--- XXXXXXXX <sub>B</sub>
003A36H	003C36H				
003A37H	003C37H				
003A38H	003C38H	ID register 6	IDR6	R/W	XXXXXXXX XXXXXXXX <sub>B</sub>
003A39H	003C39H				XXXXX--- XXXXXXXX <sub>B</sub>
003A3AH	003C3AH				
003A3BH	003C3BH				

# MB90540/540G/545/545G Series

**List of Message Buffers (ID Registers) (2)**

Address		Register	Abbreviation	Access	Initial Value
CAN0	CAN1				
003A3C <sub>H</sub>	003C3C <sub>H</sub>	ID register 7	IDR7	R/W	XXXXXXXX XXXXXXXX <sub>B</sub>
003A3D <sub>H</sub>	003C3D <sub>H</sub>				XXXXX--- XXXXXXXX <sub>B</sub>
003A3E <sub>H</sub>	003C3E <sub>H</sub>				
003A3F <sub>H</sub>	003C3F <sub>H</sub>				
003A40 <sub>H</sub>	003C40 <sub>H</sub>	ID register 8	IDR8	R/W	XXXXXXXX XXXXXXXX <sub>B</sub>
003A41 <sub>H</sub>	003C41 <sub>H</sub>				XXXXX--- XXXXXXXX <sub>B</sub>
003A42 <sub>H</sub>	003C42 <sub>H</sub>				
003A43 <sub>H</sub>	003C43 <sub>H</sub>				
003A44 <sub>H</sub>	003C44 <sub>H</sub>	ID register 9	IDR9	R/W	XXXXXXXX XXXXXXXX <sub>B</sub>
003A45 <sub>H</sub>	003C45 <sub>H</sub>				XXXXX--- XXXXXXXX <sub>B</sub>
003A46 <sub>H</sub>	003C46 <sub>H</sub>				
003A47 <sub>H</sub>	003C47 <sub>H</sub>				
003A48 <sub>H</sub>	003C48 <sub>H</sub>	ID register 10	IDR10	R/W	XXXXXXXX XXXXXXXX <sub>B</sub>
003A49 <sub>H</sub>	003C49 <sub>H</sub>				XXXXX--- XXXXXXXX <sub>B</sub>
003A4A <sub>H</sub>	003C4A <sub>H</sub>				
003A4B <sub>H</sub>	003C4B <sub>H</sub>				
003A4C <sub>H</sub>	003C4C <sub>H</sub>	ID register 11	IDR11	R/W	XXXXXXXX XXXXXXXX <sub>B</sub>
003A4D <sub>H</sub>	003C4D <sub>H</sub>				XXXXX--- XXXXXXXX <sub>B</sub>
003A4E <sub>H</sub>	003C4E <sub>H</sub>				
003A4F <sub>H</sub>	003C4F <sub>H</sub>				
003A50 <sub>H</sub>	003C50 <sub>H</sub>	ID register 12	IDR12	R/W	XXXXXXXX XXXXXXXX <sub>B</sub>
003A51 <sub>H</sub>	003C51 <sub>H</sub>				XXXXX--- XXXXXXXX <sub>B</sub>
003A52 <sub>H</sub>	003C52 <sub>H</sub>				
003A53 <sub>H</sub>	003C53 <sub>H</sub>				
003A54 <sub>H</sub>	003C54 <sub>H</sub>	ID register 13	IDR13	R/W	XXXXXXXX XXXXXXXX <sub>B</sub>
003A55 <sub>H</sub>	003C55 <sub>H</sub>				XXXXX--- XXXXXXXX <sub>B</sub>
003A56 <sub>H</sub>	003C56 <sub>H</sub>				
003A57 <sub>H</sub>	003C57 <sub>H</sub>				
003A58 <sub>H</sub>	003C58 <sub>H</sub>	ID register 14	IDR14	R/W	XXXXXXXX XXXXXXXX <sub>B</sub>
003A59 <sub>H</sub>	003C59 <sub>H</sub>				XXXXX--- XXXXXXXX <sub>B</sub>
003A5A <sub>H</sub>	003C5A <sub>H</sub>				
003A5B <sub>H</sub>	003C5B <sub>H</sub>				
003A5C <sub>H</sub>	003C5C <sub>H</sub>	ID register 15	IDR15	R/W	XXXXXXXX XXXXXXXX <sub>B</sub>
003A5D <sub>H</sub>	003C5D <sub>H</sub>				XXXXX--- XXXXXXXX <sub>B</sub>
003A5E <sub>H</sub>	003C5E <sub>H</sub>				
003A5F <sub>H</sub>	003C5F <sub>H</sub>				

# MB90540/540G/545/545G Series

List of Message Buffers (DLC Registers and Data Registers) (1)

Address		Register	Abbreviation	Access	Initial Value
CAN0	CAN1				
003A60 <sub>H</sub>	003C60 <sub>H</sub>	DLC register 0	DLCR0	R/W	----XXXX <sub>B</sub>
003A61 <sub>H</sub>	003C61 <sub>H</sub>				
003A62 <sub>H</sub>	003C62 <sub>H</sub>	DLC register 1	DLCR1	R/W	----XXXX <sub>B</sub>
003A63 <sub>H</sub>	003C63 <sub>H</sub>				
003A64 <sub>H</sub>	003C64 <sub>H</sub>	DLC register 2	DLCR2	R/W	----XXXX <sub>B</sub>
003A65 <sub>H</sub>	003C65 <sub>H</sub>				
003A66 <sub>H</sub>	003C66 <sub>H</sub>	DLC register 3	DLCR3	R/W	----XXXX <sub>B</sub>
003A67 <sub>H</sub>	003C67 <sub>H</sub>				
003A68 <sub>H</sub>	003C68 <sub>H</sub>	DLC register 4	DLCR4	R/W	----XXXX <sub>B</sub>
003A69 <sub>H</sub>	003C69 <sub>H</sub>				
003A6A <sub>H</sub>	003C6A <sub>H</sub>	DLC register 5	DLCR5	R/W	----XXXX <sub>B</sub>
003A6B <sub>H</sub>	003C6B <sub>H</sub>				
003A6C <sub>H</sub>	003C6C <sub>H</sub>	DLC register 6	DLCR6	R/W	----XXXX <sub>B</sub>
003A6D <sub>H</sub>	003C6D <sub>H</sub>				
003A6E <sub>H</sub>	003C6E <sub>H</sub>	DLC register 7	DLCR7	R/W	----XXXX <sub>B</sub>
003A6F <sub>H</sub>	003C6F <sub>H</sub>				



# MB90540/540G/545/545G Series

List of Message Buffers (DLC Registers and Data Registers) (2)

Address		Register	Abbreviation	Access	Initial Value
CAN0	CAN1				
003A70 <sub>H</sub>	003C70 <sub>H</sub>	DLC register 8	DLCR8	R/W	----XXXX
003A71 <sub>H</sub>	003C71 <sub>H</sub>				
003A72 <sub>H</sub>	003C72 <sub>H</sub>	DLC register 9	DLCR9	R/W	----XXXX <sub>B</sub>
003A73 <sub>H</sub>	003C73 <sub>H</sub>				
003A74 <sub>H</sub>	003C74 <sub>H</sub>	DLC register 10	DLCR10	R/W	----XXXX <sub>B</sub>
003A75 <sub>H</sub>	003C75 <sub>H</sub>				
003A76 <sub>H</sub>	003C76 <sub>H</sub>	DLC register 11	DLCR11	R/W	----XXXX <sub>B</sub>
003A77 <sub>H</sub>	003C77 <sub>H</sub>				
003A78 <sub>H</sub>	003C78 <sub>H</sub>	DLC register 12	DLCR12	R/W	----XXXX <sub>B</sub>
003A79 <sub>H</sub>	003C79 <sub>H</sub>				
003A7A <sub>H</sub>	003C7A <sub>H</sub>	DLC register 13	DLCR13	R/W	----XXXX <sub>B</sub>
003A7B <sub>H</sub>	003C7B <sub>H</sub>				
003A7C <sub>H</sub>	003C7C <sub>H</sub>	DLC register 14	DLCR14	R/W	----XXXX <sub>B</sub>
003A7D <sub>H</sub>	003C7D <sub>H</sub>				
003A7E <sub>H</sub>	003C7E <sub>H</sub>	DLC register 15	DLCR15	R/W	----XXXX <sub>B</sub>
003A7F <sub>H</sub>	003C7F <sub>H</sub>				
003A80 <sub>H</sub> to 003A87 <sub>H</sub>	003C80 <sub>H</sub> to 003C87 <sub>H</sub>	Data register 0 (8 bytes)	DTR0	R/W	XXXXXXXX <sub>B</sub> to XXXXXXXX <sub>B</sub>
003A88 <sub>H</sub> to 003A8F <sub>H</sub>	003C88 <sub>H</sub> to 003C8F <sub>H</sub>	Data register 1 (8 bytes)	DTR1	R/W	XXXXXXXX <sub>B</sub> to XXXXXXXX <sub>B</sub>
003A90 <sub>H</sub> to 003A97 <sub>H</sub>	003C90 <sub>H</sub> to 003C97 <sub>H</sub>	Data register 2 (8 bytes)	DTR2	R/W	XXXXXXXX <sub>B</sub> to XXXXXXXX <sub>B</sub>
003A98 <sub>H</sub> to 003A9F <sub>H</sub>	003C98 <sub>H</sub> to 003C9F <sub>H</sub>	Data register 3 (8 bytes)	DTR3	R/W	XXXXXXXX <sub>B</sub> to XXXXXXXX <sub>B</sub>
003AA0 <sub>H</sub> to 003AA7 <sub>H</sub>	003CA0 <sub>H</sub> to 003CA7 <sub>H</sub>	Data register 4 (8 bytes)	DTR4	R/W	XXXXXXXX <sub>B</sub> to XXXXXXXX <sub>B</sub>
003AA8 <sub>H</sub> to 003AAF <sub>H</sub>	003CA8 <sub>H</sub> to 003CAF <sub>H</sub>	Data register 5 (8 bytes)	DTR5	R/W	XXXXXXXX <sub>B</sub> to XXXXXXXX <sub>B</sub>
003AB0 <sub>H</sub> to 003AB7 <sub>H</sub>	003CB0 <sub>H</sub> to 003CB7 <sub>H</sub>	Data register 6 (8 bytes)	DTR6	R/W	XXXXXXXX <sub>B</sub> to XXXXXXXX <sub>B</sub>

# MB90540/540G/545/545G Series

List of Message Buffers (DLC Registers and Data Registers) (3)

Address		Register	Abbreviation	Access	Initial Value
CAN0	CAN1				
003AB8H to 003ABFH	003CB8H to 003CBFH	Data register 7 (8 bytes)	DTR7	R/W	XXXXXXXX <sub>B</sub> to XXXXXXXX <sub>B</sub>
003AC0H to 003AC7H	003CC0H to 003CC7H	Data register 8 (8 bytes)	DTR8	R/W	XXXXXXXX <sub>B</sub> to XXXXXXXX <sub>B</sub>
003AC8H to 003ACFH	003CC8H to 003CCFH	Data register 9 (8 bytes)	DTR9	R/W	XXXXXXXX <sub>B</sub> to XXXXXXXX <sub>B</sub>
003AD0H to 003AD7H	003CD0H to 003CD7H	Data register 10 (8 bytes)	DTR10	R/W	XXXXXXXX <sub>B</sub> to XXXXXXXX <sub>B</sub>
003AD8H to 003ADFH	003CD8H to 003CDFH	Data register 11 (8 bytes)	DTR11	R/W	XXXXXXXX <sub>B</sub> to XXXXXXXX <sub>B</sub>
003AE0H to 003AE7H	003CE0H to 003CE7H	Data register 12 (8 bytes)	DTR12	R/W	XXXXXXXX <sub>B</sub> to XXXXXXXX <sub>B</sub>
003AE8H to 003AEFH	003CE8H to 003CEFH	Data register 13 (8 bytes)	DTR13	R/W	XXXXXXXX <sub>B</sub> to XXXXXXXX <sub>B</sub>
003AF0H to 003AF7H	003CF0H to 003CF7H	Data register 14 (8 bytes)	DTR14	R/W	XXXXXXXX <sub>B</sub> to XXXXXXXX <sub>B</sub>
003AF8H to 003AFFH	003CF8H to 003CFFH	Data register 15 (8 bytes)	DTR15	R/W	XXXXXXXX <sub>B</sub> to XXXXXXXX <sub>B</sub>

# MB90540/540G/545/545G Series

## ■ INTERRUPT MAP

Interrupt cause	EI <sup>2</sup> OS clear	Interrupt vector		Interrupt control register	
		Number	Address	Number	Address
Reset	N/A	#08	FFFFDC <sub>H</sub>	—	—
INT9 instruction	N/A	#09	FFFFD8 <sub>H</sub>	—	—
Exception	N/A	#10	FFFFD4 <sub>H</sub>	—	—
CAN 0 RX	N/A	#11	FFFFD0 <sub>H</sub>	ICR00	0000B0 <sub>H</sub>
CAN 0 TX/NS	N/A	#12	FFFFCC <sub>H</sub>		
CAN 1 RX	N/A	#13	FFFFC8 <sub>H</sub>	ICR01	0000B1 <sub>H</sub>
CAN 1 TX/NS	N/A	#14	FFFFC4 <sub>H</sub>		
External Interrupt INT0/INT1	*1	#15	FFFFC0 <sub>H</sub>	ICR02	0000B2 <sub>H</sub>
Time Base Timer	N/A	#16	FFFFBC <sub>H</sub>		
16-bit Reload Timer 0	*1	#17	FFFFB8 <sub>H</sub>	ICR03	0000B3 <sub>H</sub>
8/10-bit A/D Converter	*1	#18	FFFFB4 <sub>H</sub>		
I/O Timer	N/A	#19	FFFFB0 <sub>H</sub>	ICR04	0000B4 <sub>H</sub>
External Interrupt INT2/INT3	*1	#20	FFFFAC <sub>H</sub>		
Serial I/O	*1	#21	FFFFA8 <sub>H</sub>	ICR05	0000B5 <sub>H</sub>
8/16-bit PPG 0/1	N/A	#22	FFFFA4 <sub>H</sub>		
Input Capture 0	*1	#23	FFFFA0 <sub>H</sub>	ICR06	0000B6 <sub>H</sub>
External Interrupt INT4/INT5	*1	#24	FFFF9C <sub>H</sub>		
Input Capture 1	*1	#25	FFFF98 <sub>H</sub>	ICR07	0000B7 <sub>H</sub>
8/16-bit PPG 2/3	N/A	#26	FFFF94 <sub>H</sub>		
External Interrupt INT6/INT7	*1	#27	FFFF90 <sub>H</sub>	ICR08	0000B8 <sub>H</sub>
Watch Timer	N/A	#28	FFFF8C <sub>H</sub>		
8/16-bit PPG 4/5	N/A	#29	FFFF88 <sub>H</sub>	ICR09	0000B9 <sub>H</sub>
Input Capture 2/3	*1	#30	FFFF84 <sub>H</sub>		
8/16-bit PPG 6/7	N/A	#31	FFFF80 <sub>H</sub>	ICR10	0000BA <sub>H</sub>
Output Compare 0	*1	#32	FFFF7C <sub>H</sub>		
Output Compare 1	*1	#33	FFFF78 <sub>H</sub>	ICR11	0000BB <sub>H</sub>
Input Capture 4/5	*1	#34	FFFF74 <sub>H</sub>		
Output Compare 2/3 - Input Capture 6/7	*1	#35	FFFF70 <sub>H</sub>	ICR12	0000BC <sub>H</sub>
16-bit Reload Timer 1	*1	#36	FFFF6C <sub>H</sub>		
UART 0 RX	*2	#37	FFFF68 <sub>H</sub>	ICR13	0000BD <sub>H</sub>
UART 0 TX	*1	#38	FFFF64 <sub>H</sub>		
UART 1 RX	*2	#39	FFFF60 <sub>H</sub>	ICR14	0000BE <sub>H</sub>
UART 1 TX	*1	#40	FFFF5C <sub>H</sub>		
Flash Memory	N/A	#41	FFFF58 <sub>H</sub>	ICR15	0000BF <sub>H</sub>
Delayed interrupt	N/A	#42	FFFF54 <sub>H</sub>		

# MB90540/540G/545/545G Series

\*1 : The interrupt request flag is cleared by the EI<sup>2</sup>OS interrupt clear signal.

\*2 : The interrupt request flag is cleared by the EI<sup>2</sup>OS interrupt clear signal. A stop request is available.

Note :

- N/A : The interrupt request flag is not cleared by the EI<sup>2</sup>OS interrupt clear signal.
- For a peripheral module with two interrupt causes for a single interrupt number, both interrupt request flags are cleared by the EI<sup>2</sup>OS interrupt clear signal.
- At the end of EI<sup>2</sup>OS, the EI<sup>2</sup>OS clear signal will be asserted for all the interrupt flags assigned to the same interrupt number. If one interrupt flag starts the EI<sup>2</sup>OS and in the meantime another interrupt flag is set by a hardware event, the later event is lost because the flag is cleared by the EI<sup>2</sup>OS clear signal caused by the first event. So it is recommended not to use the EI<sup>2</sup>OS for this interrupt number.
- If EI<sup>2</sup>OS is enabled, EI<sup>2</sup>OS is initiated when one of the two interrupt signals in the same interrupt control register (ICR) is asserted. This means that different interrupt sources share the same EI<sup>2</sup>OS Descriptor which should be unique for each interrupt source. For this reason, when one interrupt source uses the EI<sup>2</sup>OS, the other interrupt should be disabled.

# MB90540/540G/545/545G Series

## ■ ELECTRICAL CHARACTERISTICS

### 1. Absolute Maximum Ratings

( $V_{SS} = AV_{SS} = 0.0\text{ V}$ )

Parameter	Symbol	Value		Units	Remarks
		Min.	Max.		
Power supply voltage	$V_{CC}$	$V_{SS} - 0.3$	$V_{SS} + 6.0$	V	
	$AV_{CC}$	$V_{SS} - 0.3$	$V_{SS} + 6.0$	V	$V_{CC} = AV_{CC}$ *1
	AVRH, AVRL	$V_{SS} - 0.3$	$V_{SS} + 6.0$	V	$AV_{CC} \geq AVRH/AVRL$ , $AVRH \geq AVRL$ *1
Input voltage	$V_I$	$V_{SS} - 0.3$	$V_{SS} + 6.0$	V	*2
Output voltage	$V_O$	$V_{SS} - 0.3$	$V_{SS} + 6.0$	V	*2
Clamp Current	$I_{CLAMP}$	-2.0	2.0	mA	
Max. overall Clamp Current	$\Sigma I_{CLAMP}$	-20.0	20.0	mA	
"L" level max. output current	$I_{OL}$	—	15	mA	*3
"L" level avg. output current	$I_{OLAV}$	—	4	mA	*4
"L" level max. overall output current	$\Sigma I_{OL}$	—	100	mA	
"L" level avg. overall output current	$\Sigma I_{OLAV}$	—	50	mA	*5
"H" level max. output current	$I_{OH}$	—	-15	mA	*3
"H" level avg. output current	$I_{OHAV}$	—	-4	mA	*4
"H" level max. overall output current	$\Sigma I_{OH}$	—	-100	mA	
"H" level avg. overall output current	$\Sigma I_{OHAV}$	—	-50	mA	*5
Power consumption	$P_D$	—	500	mW	Flash device
		—	400	mW	Mask ROM
Operating temperature	$T_A$	-40	+85	°C	MB90F543/F549
		-40	+105	°C	Other than MB90F543/F549
Storage temperature	$T_{STG}$	-55	+150	°C	

\*1 :  $AV_{CC}$ , AVRL and AVRL should not exceed  $V_{CC}$ , and AVRL should not exceed AVRH.

\*2 :  $V_I$  and  $V_O$  should not exceed  $V_{CC} + 0.3\text{ V}$ .  $V_I$  should not exceed the specified ratings. However if the maximum current to/from an input is limited by some means with external components, the  $I_{CLAMP}$  rating supercedes the  $V_I$  rating.

\*3 : The maximum output current is a peak value for a corresponding pin.

\*4 : Average output current is an average current value observed for a 100 ms period for a corresponding pin.

\*5 : Total average current is an average current value observed for a 100 ms period for all corresponding pins.

Note : Average output current = operating current  $\times$  operating efficiency

WARNING: Semiconductor devices can be permanently damaged by application of stress (voltage, current, temperature, etc.) in excess of absolute maximum ratings. Do not exceed these ratings.

# MB90540/540G/545/545G Series

## 2. Recommended Conditions

( $V_{SS} = AV_{SS} = 0.0\text{ V}$ )

Parameter	Symbol	Value			Units	Remarks
		Min.	Typ.	Max.		
Power supply voltage	$V_{CC}, AV_{CC}$	4.5	5.0	5.5	V	Under normal operation
		3.0	—	5.5	V	Maintain RAM data in stop mode
Smooth capacitor	$C_S$	0.022	0.1	1.0	$\mu\text{F}$	*
Operating temperature	$T_A$	-40	—	+85	$^{\circ}\text{C}$	MB90F543/F549
		-40	—	+105	$^{\circ}\text{C}$	Other than MB90F543/F549

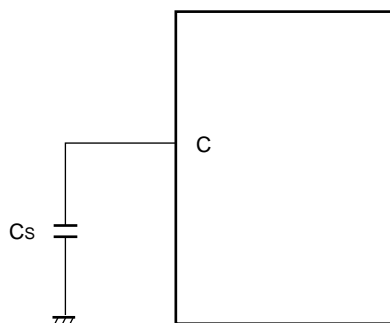
\*: Use a ceramic capacitor or a capacitor of better AC characteristics. The  $V_{CC}$  Capacitor should be greater than this capacitor.

**WARNING:** The recommended operating conditions are required in order to ensure the normal operation of the semiconductor device. All of the device's electrical characteristics are warranted when the device is operated within these ranges.

Always use semiconductor devices within their recommended operating condition ranges. Operation outside these ranges may adversely affect reliability and could result in device failure.

No warranty is made with respect to uses, operating conditions, or combinations not represented on the data sheet. Users considering application outside the listed conditions are advised to contact their FUJITSU representatives beforehand.

### • C Pin Connection Diagram



# MB90540/540G/545/545G Series

## 3. DC Characteristics

(MB90F543/F549:  $V_{CC} = 5.0 \text{ V} \pm 10\%$ ,  $V_{SS} = AV_{SS} = 0.0 \text{ V}$ ,  $T_A = -40 \text{ }^\circ\text{C}$  to  $+85 \text{ }^\circ\text{C}$ )

(Other than MB90F543/F549:  $V_{CC} = 5.0 \text{ V} \pm 10\%$ ,  $V_{SS} = AV_{SS} = 0.0 \text{ V}$ ,  $T_A = -40 \text{ }^\circ\text{C}$  to  $+105 \text{ }^\circ\text{C}$ )

Parameter	Symbol	Pin	Condition	Value			Units	Remarks
				Min.	Typ.	Max.		
Input H voltage	$V_{IHS}$	CMOS hysteresis input pin	—	$0.8 V_{CC}$	—	$V_{CC} + 0.3$	V	
	$V_{IH}$	TTL input pin	—	2.0	—	—	V	
	$V_{IHM}$	MD input pin	—	$V_{CC} - 0.3$	—	$V_{CC} + 0.3$	V	
Input L voltage	$V_{ILS}$	CMOS hysteresis input pin	—	$V_{CC} - 0.3$	—	$0.2 V_{CC}$	V	
	$V_{IL}$	TTL input pin	—	—	—	0.8	V	
	$V_{ILM}$	MD input pin	—	$V_{CC} - 0.3$	—	$V_{CC} + 0.3$	V	
Output H voltage	$V_{OH}$	All output pins	$V_{CC} = 4.5 \text{ V}$ , $I_{OH} = -4.0 \text{ mA}$	$V_{CC} - 0.5$	—	—	V	
Output L voltage	$V_{OL}$	All output pins	$V_{CC} = 4.5 \text{ V}$ , $I_{OL} = 4.0 \text{ mA}$	—	—	0.4	V	
Input leak current	$I_{IL}$	—	$V_{CC} = 5.5 \text{ V}$ , $V_{SS} < V_I < V_{CC}$	-5	—	5	$\mu\text{A}$	
Power supply current*	$I_{CC}$	$V_{CC}$	Internal frequency : 16 MHz, At normal operating	—	40	55	mA	
			Internal frequency : 16 MHz, At Flash programming/erasing	—	50	70	mA	Flash device
	$I_{CCS}$		Internal frequency : 16 MHz, At sleep mode	—	12	20	mA	
	$I_{CTS}$		$V_{CC} = 5.0 \text{ V} \pm 1\%$ , Internal frequency : 2 MHz, At timer mode	—	300	600	$\mu\text{A}$	
	$I_{CCL}$		Internal frequency : 8 kHz, At sub operation, $T_A = 25 \text{ }^\circ\text{C}$	—	50	100	$\mu\text{A}$	Mask ROM
			Internal frequency : 8 kHz, At sub sleep, $T_A = 25 \text{ }^\circ\text{C}$	—	15	40	$\mu\text{A}$	Flash device
	$I_{CCT}$		Internal frequency : 8 kHz, At watch mode, $T_A = 25 \text{ }^\circ\text{C}$	—	7	25	$\mu\text{A}$	
	$I_{CCH1}$		At stop, $T_A = 25 \text{ }^\circ\text{C}$	—	5	20	$\mu\text{A}$	
	$I_{CCH2}$		At hardware standby mode, $T_A = 25 \text{ }^\circ\text{C}$	—	50	100	$\mu\text{A}$	
Input capacity	$C_{IN}$	Other than $AV_{CC}$ , $AV_{SS}$ , $AVRH$ , $AVRL$ , C, $V_{CC}$ , $V_{SS}$	—	5	15	pF		

\* : Current values are tentative. They are subject to change without notice according to improvements in the characteristics. The power supply current testing conditions are when using the external clock.

# MB90540/540G/545/545G Series

## 4. AC Characteristics

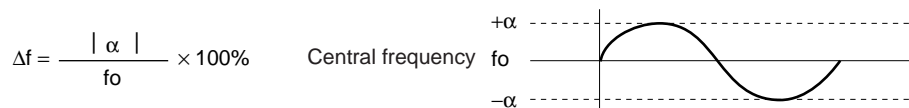
### (1) Clock Timing

(MB90F543/F549:  $V_{CC} = 5.0 V \pm 10\%$ ,  $V_{SS} = AV_{SS} = 0.0 V$ ,  $T_A = -40\text{ }^\circ\text{C}$  to  $+85\text{ }^\circ\text{C}$ )

(Other than MB90F543/F549:  $V_{CC} = 5.0 V \pm 10\%$ ,  $V_{SS} = AV_{SS} = 0.0 V$ ,  $T_A = -40\text{ }^\circ\text{C}$  to  $+105\text{ }^\circ\text{C}$ )

Parameter	Symbol	Pin	Value			Units	Remarks
			Min.	Typ.	Max.		
Oscillation frequency	$f_c$	X0, X1	3	—	5	MHz	When using an oscillation circuit
	$f_{CL}$	X0A, X1A	—	32.768	—	kHz	
Oscillation cycle time	$t_{CYL}$	X0, X1	200	—	333	ns	When using an oscillation circuit
	$t_{LCYL}$	X0A, X1A	—	30.5	—	$\mu\text{s}$	
External clock frequency	$f_c$	X0, X1	3	—	16	MHz	When using an external clock
External clock cycle time	$t_{CYL}$	X0, X1	62.5	—	333	ns	When using an external clock
Frequency deviation with PLL *	$\Delta f$	—	—	—	5	%	
Input clock pulse width	$P_{WH}, P_{WL}$	X0	10	—	—	ns	Duty ratio is about 30 to 70%.
	$P_{WLH}, P_{WLL}$	X0A	—	15.2	—	$\mu\text{s}$	
Input clock rise and fall time	$t_{CR}, t_{CF}$	X0	—	—	5	ns	When using external clock
Machine clock frequency	$f_{CP}$	—	1.5	—	16	MHz	When using main clock
	$f_{LCP}$	—	—	8.192	—	kHz	When using sub-clock
Machine clock cycle time	$t_{CP}$	—	62.5	—	666	ns	When using main clock
	$t_{LCP}$	—	—	122.1	—	$\mu\text{s}$	When using sub-clock
Flash read cycle time	$t_{CYCL}$	—	—	$2 t_{CP}$	—	ns	When Flash is accessed by CPU

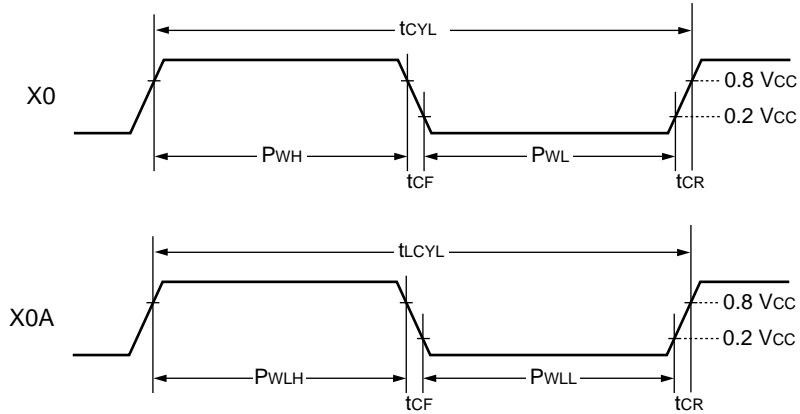
\* : Frequency deviation indicates the maximum frequency difference from the target frequency when using a multiplied clock.



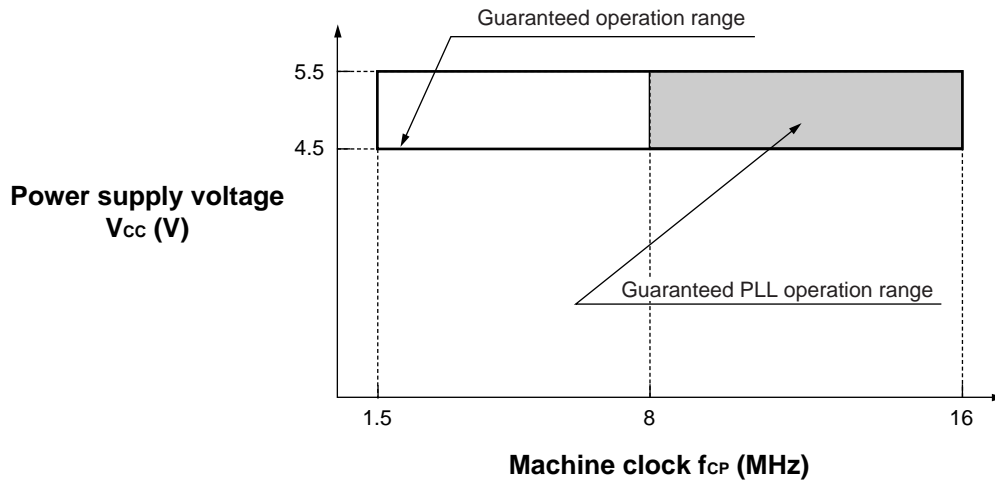


# MB90540/540G/545/545G Series

## • Clock Timing

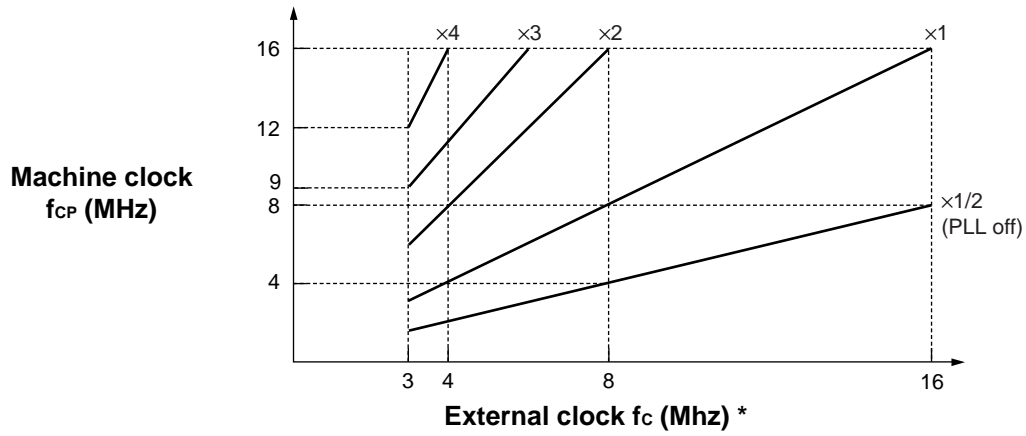


## • Guaranteed operation range



# MB90540/540G/545/545G Series

• External clock frequency and Machine clock frequency

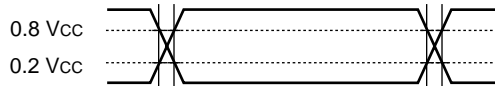


\* : When using the oscillation circuit, the maximum oscillation clock frequency is 5 MHz.

AC characteristics are set to the measured reference voltage values below.

• Input signal waveform

**Hysteresis Input Pin**

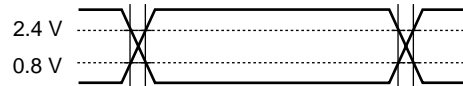


**TTL Input Pin**



• Output signal waveform

**Output Pin**



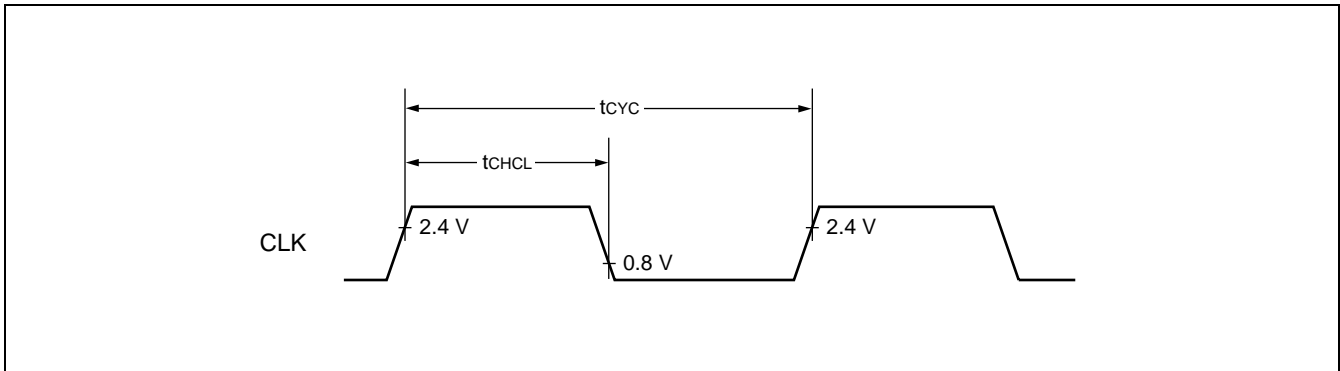
# MB90540/540G/545/545G Series

## (2) Clock Output Timing

(MB90F543/F549 :  $V_{CC} = 5.0 \text{ V} \pm 10\%$ ,  $V_{SS} = AV_{SS} = 0.0 \text{ V}$ ,  $T_A = -40 \text{ }^\circ\text{C}$  to  $+85 \text{ }^\circ\text{C}$ )

(Other than MB90F543/F549 :  $V_{CC} = 5.0 \text{ V} \pm 10\%$ ,  $V_{SS} = AV_{SS} = 0.0 \text{ V}$ ,  $T_A = -40 \text{ }^\circ\text{C}$  to  $+105 \text{ }^\circ\text{C}$ )

Parameter	Symbol	Pin	Condition	Value		Units	Remarks
				Min.	Max.		
Cycle time	$t_{CYC}$	CLK	$V_{CC} = 5 \text{ V} \pm 10\%$	62.5	—	ns	
CLK $\uparrow \rightarrow$ CLK $\downarrow$	$t_{CHCL}$			20	—	ns	



## (3) Reset and Hardware Standby Input

(MB90F543/F549 :  $V_{CC} = 5.0 \text{ V} \pm 10\%$ ,  $V_{SS} = AV_{SS} = 0.0 \text{ V}$ ,  $T_A = -40 \text{ }^\circ\text{C}$  to  $+85 \text{ }^\circ\text{C}$ )

(Other than MB90F543/F549 :  $V_{CC} = 5.0 \text{ V} \pm 10\%$ ,  $V_{SS} = AV_{SS} = 0.0 \text{ V}$ ,  $T_A = -40 \text{ }^\circ\text{C}$  to  $+105 \text{ }^\circ\text{C}$ )

Parameter	Symbol	Pin	Value		Units	Remarks
			Min.	Max.		
Reset input time	$t_{RSTL}$	$\overline{RST}$	16 $t_{CP}$	—	ns	Under normal operation
			Oscillation time of oscillator + 16 $t_{CP}$	—	ms	In stop mode
Hardware standby input time	$t_{HSTL}$	$\overline{HST}$	16 $t_{CP}$	—	ns	Under normal operation

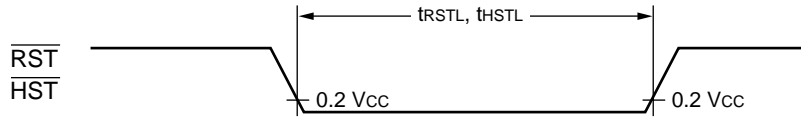
" $t_{CP}$ " represents one cycle time of the machine clock.

Oscillation time of oscillator is time that amplitude reached the 90%. In the crystal oscillator, the oscillation time is between several ms to tens of ms. In FAR/ceramic oscillator, the oscillation time is between hundreds of  $\mu\text{s}$  to several ms. In the external clock, the oscillation time is 0 ms.

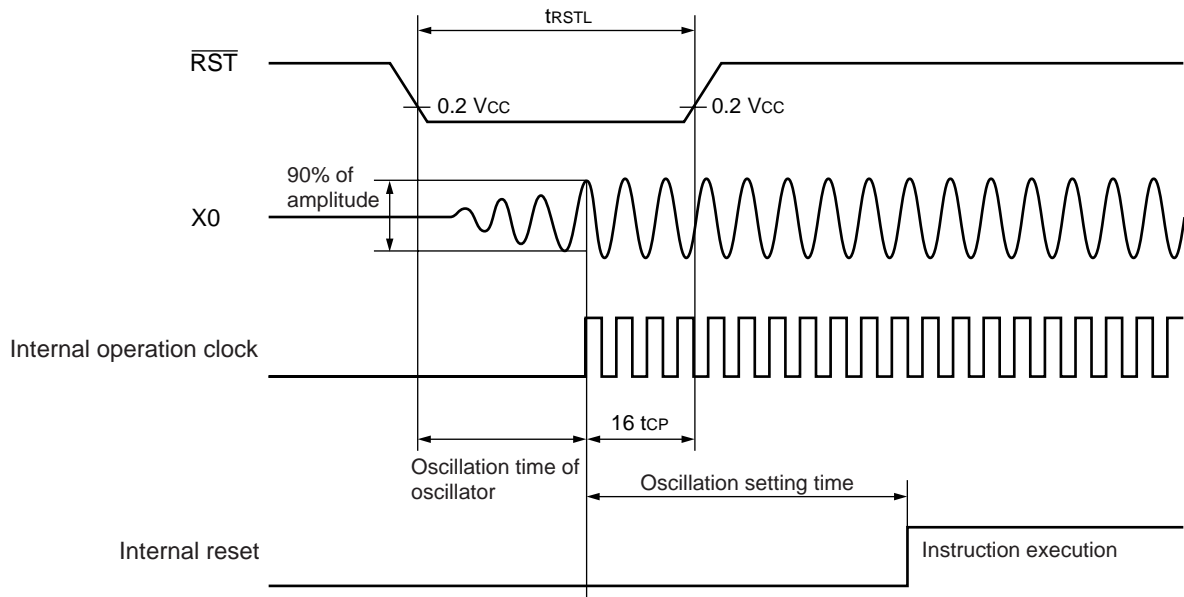
Any reset can not fully initialize the Flash Memory if it is performing the automatic algorithm.

# MB90540/540G/545/545G Series

- Under normal operation



- In stop mode



# MB90540/540G/545/545G Series

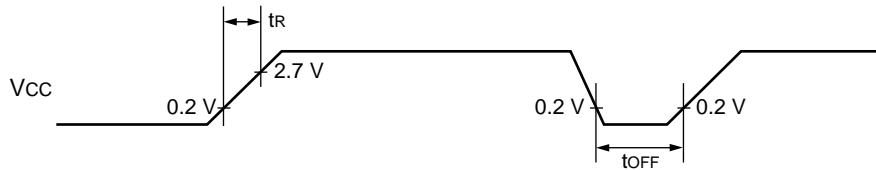
## (4) Power On Reset

(MB90F543/F549 :  $V_{CC} = 5.0 \text{ V} \pm 10\%$ ,  $V_{SS} = AV_{SS} = 0.0 \text{ V}$ ,  $T_A = -40 \text{ }^\circ\text{C}$  to  $+85 \text{ }^\circ\text{C}$ )

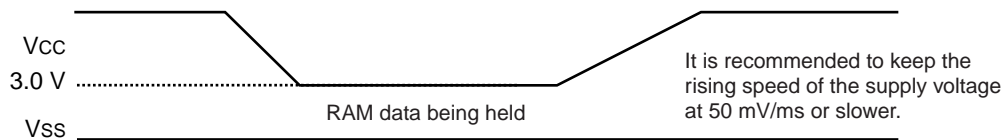
(Other than MB90F543/F549 :  $V_{CC} = 5.0 \text{ V} \pm 10\%$ ,  $V_{SS} = AV_{SS} = 0.0 \text{ V}$ ,  $T_A = -40 \text{ }^\circ\text{C}$  to  $+105 \text{ }^\circ\text{C}$ )

Parameter	Symbol	Pin	Condition	Value		Units	Remarks
				Min.	Max.		
Power on rise time	$t_R$	$V_{CC}$	—	0.05	30	ms	
Power off time	$t_{OFF}$	$V_{CC}$		50	—	ms	Due to repetitive operation

- Note
- $V_{CC}$  must be kept lower than 0.2 V before power-on.
  - The above values are used for creating a power-on reset.
  - Some registers in the device are initialized only upon a power-on reset. To initialize these register, turn on the power supply using the above values.



Sudden changes in the power supply voltage may cause a power-on reset. To change the power supply voltage while the device is in operation, it is recommended to raise the voltage smoothly to suppress fluctuations as shown below. In this case, change the supply voltage with the PLL clock not used. If the voltage drop is 1 V or fewer per second, however, you can use the PLL clock.



# MB90540/540G/545/545G Series

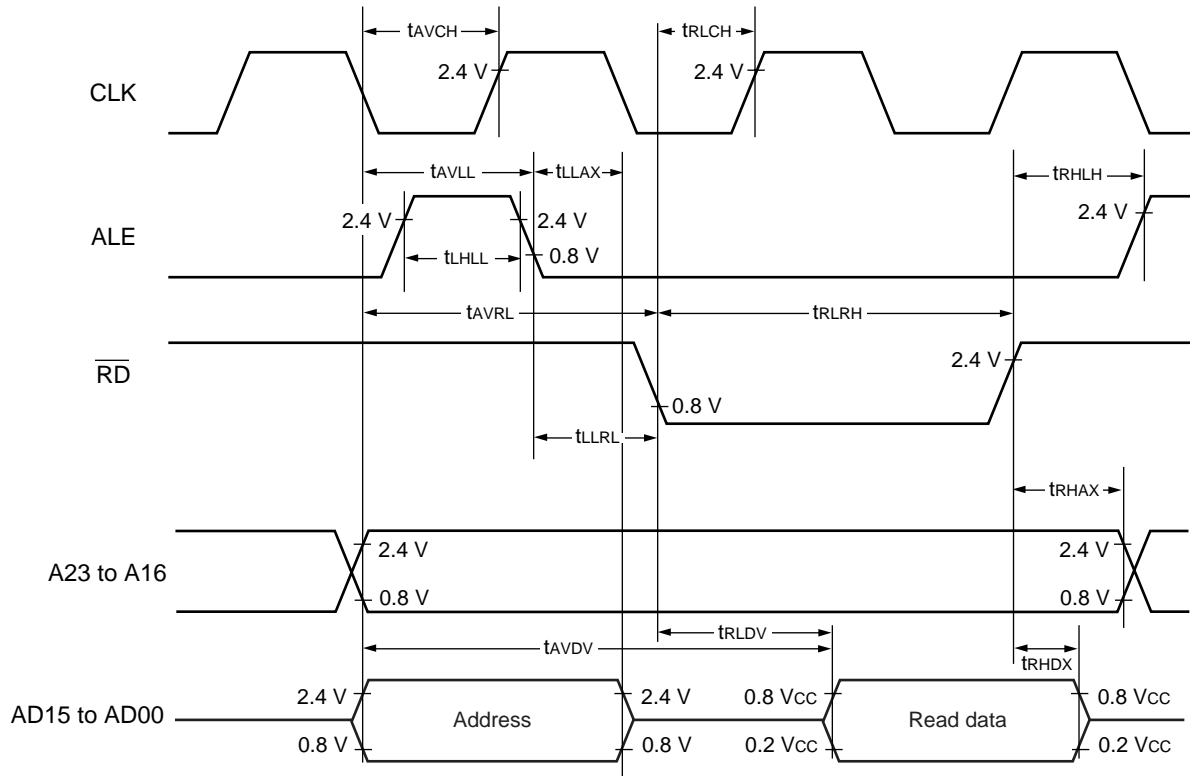
## (5) Bus Timing (Read)

(MB90F543/F549 :  $V_{CC} = 4.5\text{ V to }5.5\text{ V}$ ,  $V_{SS} = 0.0\text{ V}$ ,  $T_A = -40\text{ }^\circ\text{C to }+85\text{ }^\circ\text{C}$ )  
 (Other than MB90F543/F549 :  $V_{CC} = 4.5\text{ V to }5.5\text{ V}$ ,  $V_{SS} = 0.0\text{ V}$ ,  $T_A = -40\text{ }^\circ\text{C to }+105\text{ }^\circ\text{C}$ )

Parameter	Symbol	Pin	Condition	Value		Units	Remarks
				Min.	Max.		
ALE pulse width	$t_{LHLL}$	ALE	—	$t_{CP}/2 - 20$		ns	
Valid address→ALE↓time	$t_{AVLL}$	ALE, A23 to A16, AD15 to AD00		$t_{CP}/2 - 20$	—	ns	
ALE↓→Address valid time	$t_{LLAX}$	ALE, AD15 to AD00		$t_{CP}/2 - 15$	—	ns	
Valid address→ $\overline{RD}$ ↓time	$t_{AVRL}$	A23 to A16, AD15 to AD00, $\overline{RD}$		$t_{CP} - 15$	—	ns	
Valid address→Valid data input	$t_{AVDV}$	A23 to A16, AD15 to AD00		—	$5 t_{CP}/2 - 60$	ns	
$\overline{RD}$ pulse width	$t_{RLRH}$	$\overline{RD}$		$3 t_{CP}/2 - 20$	—	ns	
$\overline{RD}$ ↓→Valid data input	$t_{RLDV}$	$\overline{RD}$ , AD15 to AD00		—	$3 t_{CP}/2 - 60$	ns	
$\overline{RD}$ ↑→Data hold time	$t_{RHDX}$	$\overline{RD}$ , AD15 to AD00		0	—	ns	
$\overline{RD}$ ↓→ALE↑time	$t_{RHLH}$	$\overline{RD}$ , ALE		$t_{CP}/2 - 15$	—	ns	
$\overline{RD}$ ↑→Address valid time	$t_{RHAX}$	$\overline{RD}$ , A23 to A16		$t_{CP}/2 - 10$	—	ns	
Valid address→CLK↑time	$t_{AVCH}$	A23 to A16, AD15 to AD00, CLK		$t_{CP}/2 - 20$	—	ns	
$\overline{RD}$ ↓→CLK↑time	$t_{RLCH}$	$\overline{RD}$ , CLK		$t_{CP}/2 - 20$	—	ns	
ALE↓→ $\overline{RD}$ ↓time	$t_{LLRL}$	ALE, $\overline{RD}$		$t_{CP}/2 - 15$	—	ns	

# MB90540/540G/545/545G Series

## • Bus Timing (Read)



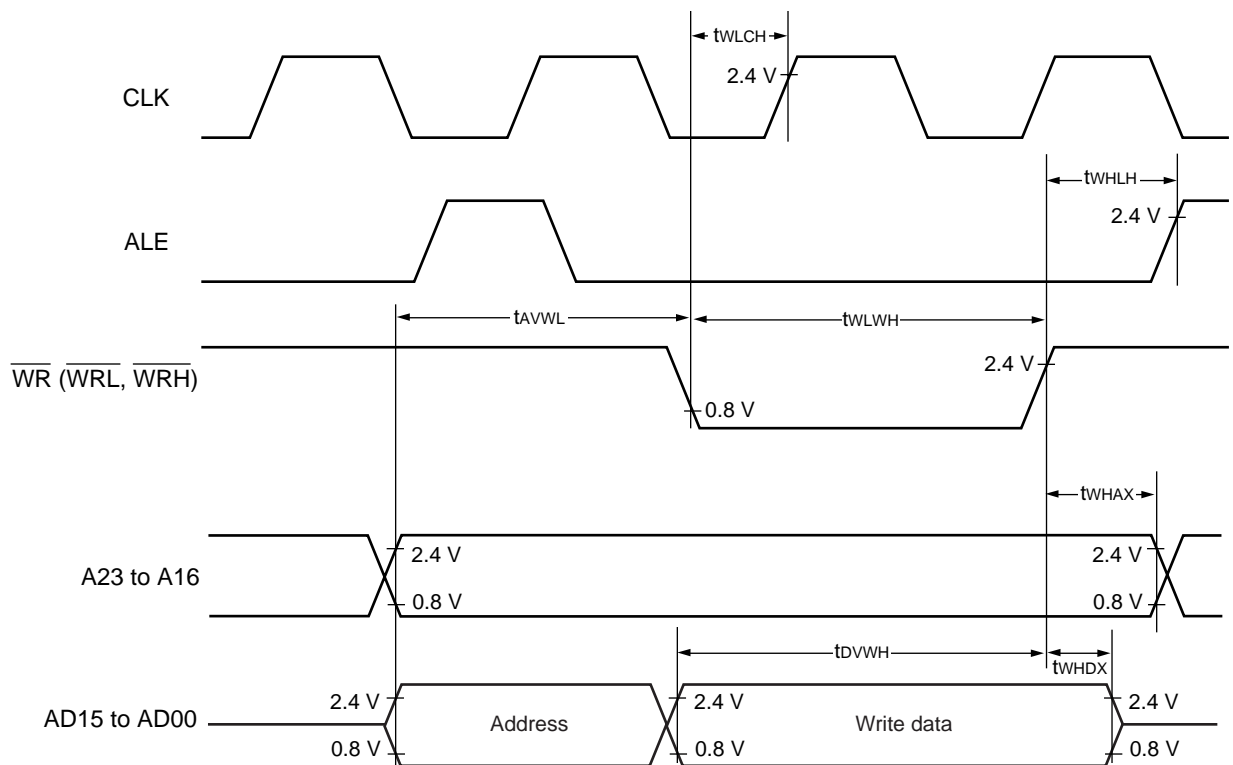
# MB90540/540G/545/545G Series

## (6) Bus Timing (Write)

(MB90F543/F549 :  $V_{CC} = 4.5 \text{ V}$  to  $5.5 \text{ V}$ ,  $V_{SS} = 0.0 \text{ V}$ ,  $T_A = -40 \text{ }^\circ\text{C}$  to  $+85 \text{ }^\circ\text{C}$ )  
 (Other than MB90F543/F549 :  $V_{CC} = 4.5 \text{ V}$  to  $5.5 \text{ V}$ ,  $V_{SS} = 0.0 \text{ V}$ ,  $T_A = -40 \text{ }^\circ\text{C}$  to  $+105 \text{ }^\circ\text{C}$ )

Parameter	Symbol	Pin	Condition	Value		Units	Remarks
				Min.	Max.		
Valid address $\rightarrow \overline{\text{WR}} \downarrow$ time	$t_{AVWL}$	A23 to A16, AD15 to AD00, $\overline{\text{WR}}$	—	$t_{CP} - 15$	—	ns	
$\overline{\text{WR}}$ pulse width	$t_{WLWH}$	$\overline{\text{WR}}$		$3 t_{CP}/2 - 20$	—	ns	
Valid data output $\rightarrow \overline{\text{WR}} \uparrow$ time	$t_{DVWH}$	AD15 to AD00, $\overline{\text{WR}}$		$3 t_{CP}/2 - 20$	—	ns	
$\overline{\text{WR}} \uparrow \rightarrow$ Data hold time	$t_{WHDX}$	AD15 to AD00, $\overline{\text{WR}}$		20	—	ns	
$\overline{\text{WR}} \uparrow \rightarrow$ Address valid time	$t_{WHAX}$	A23 to A16, $\overline{\text{WR}}$		$t_{CP}/2 - 10$	—	ns	
$\overline{\text{WR}} \uparrow \rightarrow \text{ALE} \uparrow$ time	$t_{WHLH}$	$\overline{\text{WR}}$ , ALE		$t_{CP}/2 - 15$	—	ns	
$\overline{\text{WR}} \uparrow \rightarrow \text{CLK} \uparrow$ time	$t_{WLCH}$	$\overline{\text{WR}}$ , CLK		$t_{CP}/2 - 20$	—	ns	

### • Bus Timing (Write)





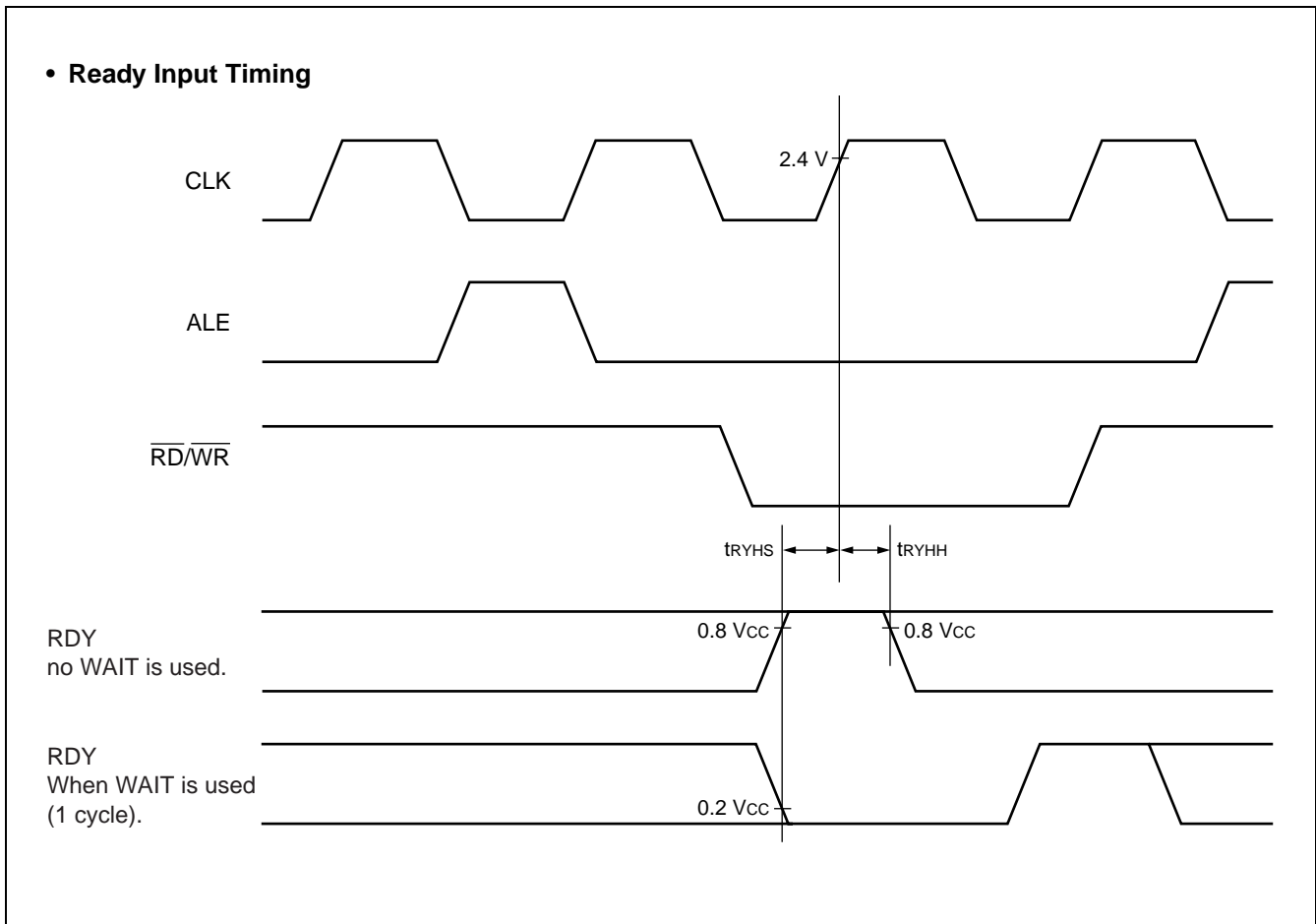
# MB90540/540G/545/545G Series

## (7) Ready Input Timing

(MB90F543/F549 :  $V_{CC} = 4.5 \text{ V}$  to  $5.5 \text{ V}$ ,  $V_{SS} = 0.0 \text{ V}$ ,  $T_A = -40 \text{ }^\circ\text{C}$  to  $+85 \text{ }^\circ\text{C}$ )  
 (Other than MB90F543/F549 :  $V_{CC} = 4.5 \text{ V}$  to  $5.5 \text{ V}$ ,  $V_{SS} = 0.0 \text{ V}$ ,  $T_A = -40 \text{ }^\circ\text{C}$  to  $+105 \text{ }^\circ\text{C}$ )

Parameter	Symbol	Pin	Condition	Value		Units	Remarks
				Min.	Max.		
RDY setup time	$t_{RYHS}$	RDY	—	45	—	ns	
RDY hold time	$t_{RYHH}$	RDY		0	—	ns	

Note : If the RDY setup time is insufficient, use the auto-ready function.



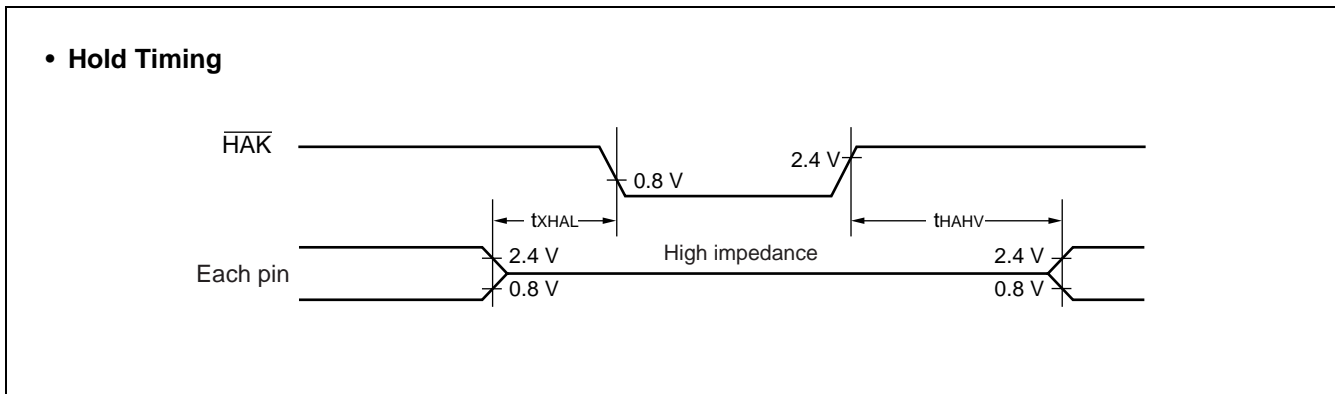
# MB90540/540G/545/545G Series

## (8) Hold Timing

(MB90F543/F549 :  $V_{CC} = 4.5 \text{ V to } 5.5 \text{ V}$ ,  $V_{SS} = 0.0 \text{ V}$ ,  $T_A = -40 \text{ }^\circ\text{C to } +85 \text{ }^\circ\text{C}$ )  
 (Other than MB90F543/F549 :  $V_{CC} = 4.5 \text{ V to } 5.5 \text{ V}$ ,  $V_{SS} = 0.0 \text{ V}$ ,  $T_A = -40 \text{ }^\circ\text{C to } +105 \text{ }^\circ\text{C}$ )

Parameter	Symbol	Pin	Condition	Value		Units	Remarks
				Min.	Max.		
Pin floating → $\overline{\text{HAK}} \downarrow$ time	$t_{XHAL}$	$\overline{\text{HAK}}$	—	30	$t_{CP}$	ns	
$\overline{\text{HAK}} \uparrow$ time → Pin valid time	$t_{HAHV}$	$\overline{\text{HAK}}$		$t_{CP}$	$2 t_{CP}$	ns	

Note : There is more than 1 cycle from the time HRQ is read to the time the  $\overline{\text{HAK}}$  is changed.



## (9) UART0/1, Serial I/O Timing

(MB90F543/F549 :  $V_{CC} = 4.5 \text{ V to } 5.5 \text{ V}$ ,  $V_{SS} = 0.0 \text{ V}$ ,  $T_A = -40 \text{ }^\circ\text{C to } +85 \text{ }^\circ\text{C}$ )  
 (Other than MB90F543/F549 :  $V_{CC} = 4.5 \text{ V to } 5.5 \text{ V}$ ,  $V_{SS} = 0.0 \text{ V}$ ,  $T_A = -40 \text{ }^\circ\text{C to } +105 \text{ }^\circ\text{C}$ )

Parameter	Symbol	Pin Symbol	Condition	Value		Units	Remarks
				Min.	Max.		
Serial clock cycle time	$t_{SCYC}$	SCK0 to SCK2	Internal clock operation output pins are $C_L = 80 \text{ pF} + 1 \text{ TTL}$ .	$8 t_{CP}$	—	ns	
SCK $\downarrow$ → SOT delay time	$t_{SLOV}$	SCK0 to SCK2, SOT0 to SOT2		-80	80	ns	
Valid SIN → SCK $\uparrow$	$t_{IVSH}$	SCK0 to SCK2, SIN0 to SIN2		100	—	ns	
SCK $\uparrow$ → Valid SIN hold time	$t_{SHIX}$	SCK0 to SCK2, SIN0 to SIN2		60	—	ns	
Serial clock "H" pulse width	$t_{SHSL}$	SCK0 to SCK2	External clock operation output pins are $C_L = 80 \text{ pF} + 1 \text{ TTL}$ .	$4 t_{CP}$	—	ns	
Serial clock "L" pulse width	$t_{LSLH}$	SCK0 to SCK2		$4 t_{CP}$	—	ns	
SCK $\downarrow$ → SOT delay time	$t_{SLOV}$	SCK0 to SCK2, SOT0 to SOT2		—	150	ns	
Valid SIN → SCK $\uparrow$	$t_{IVSH}$	SCK0 to SCK2, SIN0 to SIN2		60	—	ns	
SCK $\uparrow$ → Valid SIN hold time	$t_{SHIX}$	SCK0 to SCK2, SIN0 to SIN2		60	—	ns	

Note : 1.AC characteristic in CLK synchronized mode.  
 2. $C_L$  is load capacity value of pins when testing.  
 3.For  $t_{CP}$  (Machine clock cycle time) , refer to "(1) Clock Timing".

# MB90540/540G/545/545G Series

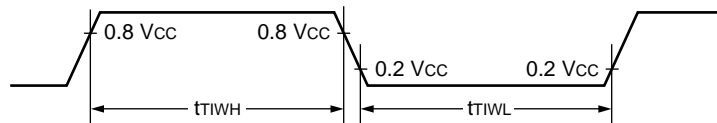
## (10) Timer Related Resource Input Timing

(MB90F543/F549 :  $V_{CC} = 4.5 \text{ V}$  to  $5.5 \text{ V}$ ,  $V_{SS} = 0.0 \text{ V}$ ,  $T_A = -40 \text{ }^\circ\text{C}$  to  $+85 \text{ }^\circ\text{C}$ )

(Other than MB90F543/F549 :  $V_{CC} = 4.5 \text{ V}$  to  $5.5 \text{ V}$ ,  $V_{SS} = 0.0 \text{ V}$ ,  $T_A = -40 \text{ }^\circ\text{C}$  to  $+105 \text{ }^\circ\text{C}$ )

Parameter	Symbol	Pin	Condition	Value		Units	Remarks
				Min.	Max.		
Input pulse width	$t_{TIWH}$	TIN0, TIN1	—	4 $t_{CP}$	—	ns	
	$t_{TIWL}$	IN0 to IN7					

### • Timer Input Timing



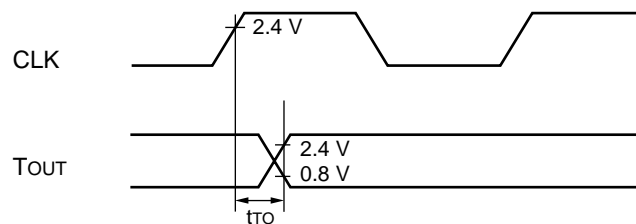
## (11) Timer Related Resource Output Timing

(MB90F543/F549 :  $V_{CC} = 4.5 \text{ V}$  to  $5.5 \text{ V}$ ,  $V_{SS} = 0.0 \text{ V}$ ,  $T_A = -40 \text{ }^\circ\text{C}$  to  $+85 \text{ }^\circ\text{C}$ )

(Other than MB90F543/F549 :  $V_{CC} = 4.5 \text{ V}$  to  $5.5 \text{ V}$ ,  $V_{SS} = 0.0 \text{ V}$ ,  $T_A = -40 \text{ }^\circ\text{C}$  to  $+105 \text{ }^\circ\text{C}$ )

Parameter	Symbol	Pin	Condition	Value		Units	Remarks
				Min.	Max.		
$\text{CLK}\uparrow \rightarrow T_{OUT}$ change time	$t_{TO}$	TOT0 to TOT1, PPG0 to PPG3	—	30	—	ns	

### • Timer Output Timing



# MB90540/540G/545/545G Series

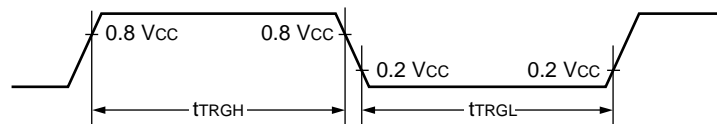
## (12) Trigger Input Timing

(MB90F543/F549 :  $V_{CC} = 4.5$  to  $5.5$  V,  $V_{SS} = 0.0$  V,  $T_A = -40$  °C to  $+85$  °C)

(Other than MB90F543/F549 :  $V_{CC} = 4.5$  V to  $5.5$  V,  $V_{SS} = 0.0$  V,  $T_A = -40$  °C to  $+105$  °C)

Parameter	Symbol	Pin	Condition	Value		Units	Remarks
				Min.	Max.		
Input pulse width	$t_{TRGH}$	INT0 to INT7, ADTG	—	5 $t_{CP}$	—	ns	Under normal operation
	$t_{TRGL}$			1	—	$\mu$ s	In stop mode

### • Trigger Input Timing



# MB90540/540G/545/545G Series

## 5. A/D Converter

(MB90F543/F549 :  $V_{CC} = AV_{CC} = 5.0 \text{ V} \pm 10\%$ ,  $V_{SS} = AV_{SS} = 0.0 \text{ V}$ ,  $3.0 \text{ V} \leq AVRH - AVRL$ ,  $T_A = -40 \text{ }^\circ\text{C}$  to  $+85 \text{ }^\circ\text{C}$ )

(Other than MB90F543/F549 :  $V_{CC} = AV_{CC} = 5.0 \text{ V} \pm 10\%$ ,  $V_{SS} = AV_{SS} = 0.0 \text{ V}$ ,  $3.0 \text{ V} \leq AVRH - AVRL$ ,  $T_A = -40 \text{ }^\circ\text{C}$  to  $+105 \text{ }^\circ\text{C}$ )

Parameter	Symbol	Pin	Rated Value			Units	Remarks
			Min.	Typ.	Max.		
Resolution	—	—	—	—	10	bit	
Conversion error	—	—	—	—	$\pm 5.0$	LSB	
Nonlinearity error	—	—	—	—	$\pm 2.5$	LSB	
Differential nonlinearity error	—	—	—	—	$\pm 1.9$	LSB	
Zero reading voltage	$V_{OT}$	AN0 to AN7	$AVRL - 3.5$ LSB	$AVRL + 0.5$ LSB	$AVRL + 4.5$ LSB	mV	
Full scale reading voltage	$V_{FST}$	AN0 to AN7	$AVRH - 6.5$ LSB	$AVRH - 1.5$ LSB	$AVRH + 1.5$ LSB	mV	
Conversion time	—	—	—	$352 t_{CP}$	—	ns	
Sampling time	—	—	—	$64 t_{CP}$	—	ns	
Analog port input current	$I_{AIN}$	AN0 to AN7	-1	—	1	$\mu\text{A}$	$V_{CC} = AV_{CC} = 5.0 \text{ V} \pm 1\%$
Analog input voltage range	$V_{AIN}$	AN0 to AN7	AVRL	—	AVRH	V	
Reference voltage range	—	AVRH	$AVRL + 2.7$	—	$AV_{CC}$	V	
	—	AVRL	0	—	$AVRH - 2.7$	V	
Power supply current	$I_A$	$AV_{CC}$	—	5	—	mA	
	$I_{AH}$	$AV_{CC}$	—	—	5	$\mu\text{A}$	*
Reference voltage current	$I_R$	AVRH	—	400	600	$\mu\text{A}$	Flash device
			—	140	260	$\mu\text{A}$	Mask ROM
	$I_{RH}$	AVRH	—	—	5	$\mu\text{A}$	*
Offset between input channels	—	AN0 to AN7	—	—	4	LSB	

\* : When not using an A/D converter, this is the current ( $V_{CC} = AV_{CC} = AVRH = 5.0 \text{ V}$ ) when the CPU is stopped.

# MB90540/540G/545/545G Series

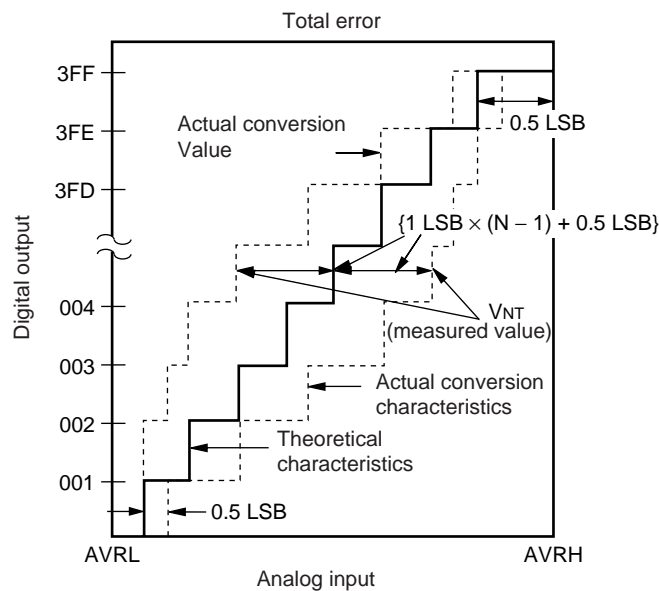
## 6. A/D Converter Glossary

Resolution : Analog changes that are identifiable with the A/D converter

Linearity error : The deviation of the straight line connecting the zero transition point (“00 0000 0000” ↔ “00 0000 0001”) with the full-scale transition point (“11 1111 1110” ↔ “11 1111 1111”) from actual conversion characteristics

Differential linearity error : The deviation of input voltage needed to change the output code by 1 LSB from the theoretical value

Total error : The total error is defined as a difference between the actual value and the theoretical value, which includes zero-transition error/full-scale transition error and linearity error.



$$1 \text{ LSB} = (\text{Theoretical value}) \frac{\text{AVRH} - \text{AVRL}}{1024} [\text{V}]$$

$$V_{OT} (\text{Theoretical value}) = \text{AVRL} + 0.5 \text{ LSB} [\text{V}]$$

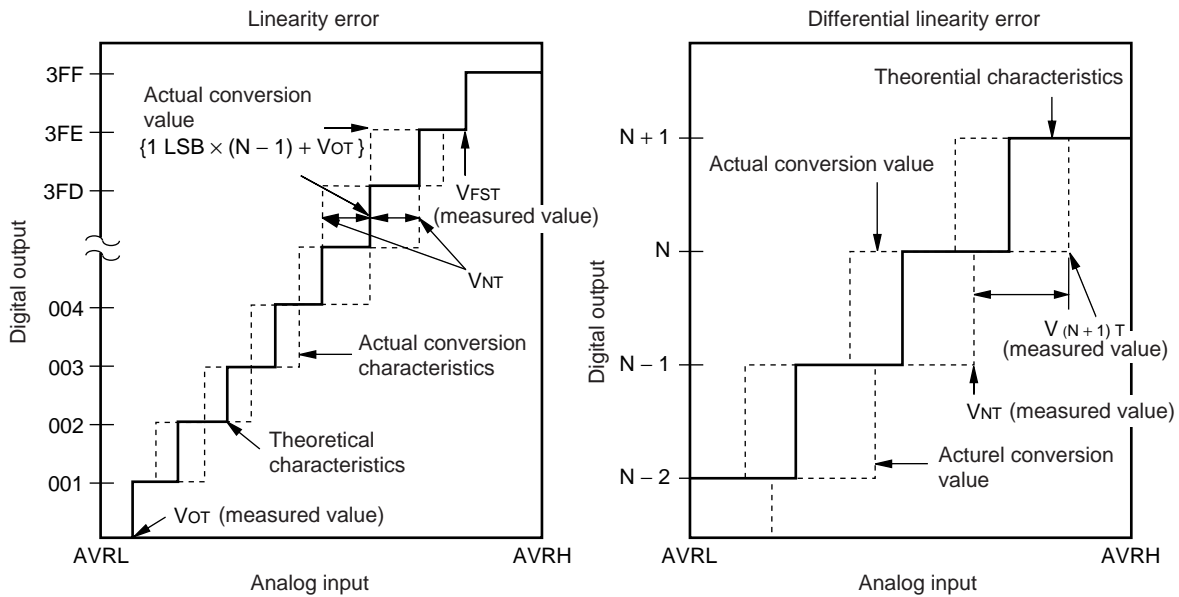
$$V_{FST} (\text{Theoretical value}) = \text{AVRH} - 1.5 \text{ LSB} [\text{V}]$$

$$\text{Total error for digital output } N = \frac{V_{NT} - \{1 \text{ LSB} \times (N - 1) + 0.5 \text{ LSB}\}}{1 \text{ LSB}} [\text{LSB}]$$

$V_{NT}$  : Voltage at a transition of digital output from (N - 1) to N

(Continued)

(Continued)



$$\text{Linearity error of digital output } N = \frac{V_{NT} - \{1 \text{ LSB} \times (N - 1) + V_{OT}\}}{1 \text{ LSB}} \text{ [LSB]}$$

$$\text{Differential linearity error of digital } N = \frac{V_{(N+1)T} - V_{NT}}{1 \text{ LSB}} - 1 \text{ LSB [LSB]}$$

$$1 \text{ LSB} = \frac{V_{FST} - V_{OT}}{1022} \text{ [V]}$$

$V_{OT}$  : Voltage at transition of digital output from "000<sub>H</sub>" to "001<sub>H</sub>"

$V_{FST}$  : Voltage at transition of digital output from "3FE<sub>H</sub>" to "3FF<sub>H</sub>"

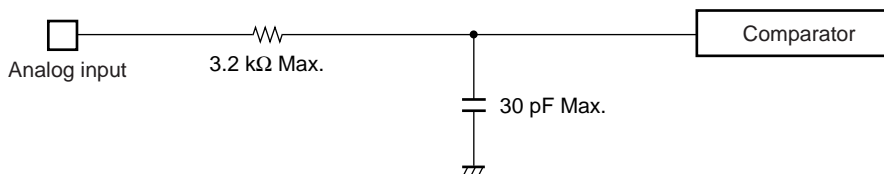
## 7. Notes on Using A/D Converter

Select the output impedance value for the external circuit of analog input according to the following conditions :

- Output impedance values of the external circuit of 15 kΩ or lower are recommended.
- When capacitors are connected to external pins, the capacitance of several thousand times the internal capacitor value is recommended to minimized the effect of voltage distribution between the external capacitor and internal capacitor.

When the output impedance of the external circuit is too high, the sampling period for analog voltages may not be sufficient (sampling period = 4.00 μs @ machine clock of 16 MHz) .

### • Equipment of analog input circuit model



### • Error

The smaller the  $|AVRH - AVRL|$ , the greater the error would become relatively.

# MB90540/540G/545/545G Series

## ■ ORDERING INFORMATION

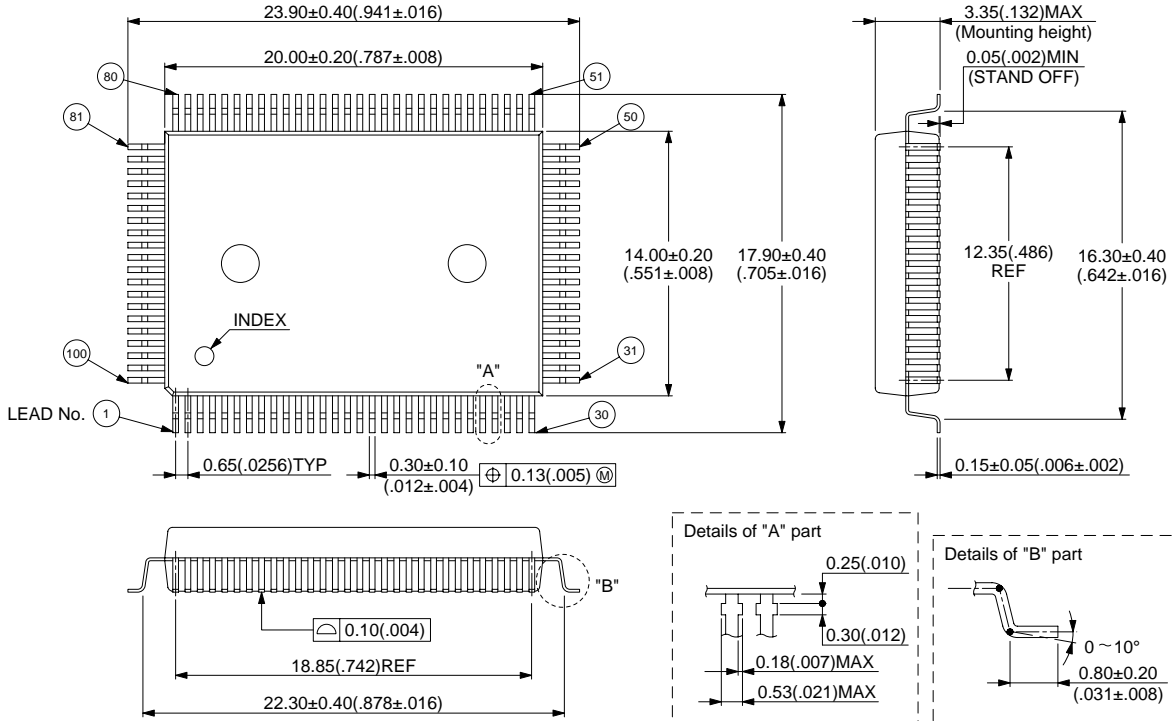
Part number	Package	Remarks
MB90F543PF MB90F549PF MB90F543GPF MB90F543GSPF MB90F548GPF MB90F548GSPF MB90549GPF MB90549GSPF MB90F549GPF MB90F549GSPF MB90F546GPF MB90F546GSPF	100-pin Plastic QFP (FPT-100P-M06)	
MB90F543PFF MB90F549PFF MB90F543GPFF MB90F543GSPFF MB90F548GPFF MB90F548GSPFF MB90549GPFF MB90549GSPFF MB90F549GPFF MB90F549GSPFF MB90F546GPFF MB90F546GSPFF	100-pin Plastic LQFP (FPT-100P-M05)	
MB90V540CR MB90V540GCR	256-pin Ceramic PGA (PGA-256C-A01)	For evaluation



# MB90540/540G/545/545G Series

## PACKAGE DIMENSIONS

100-pin Plastic QFP  
(FPT-100P-M06)

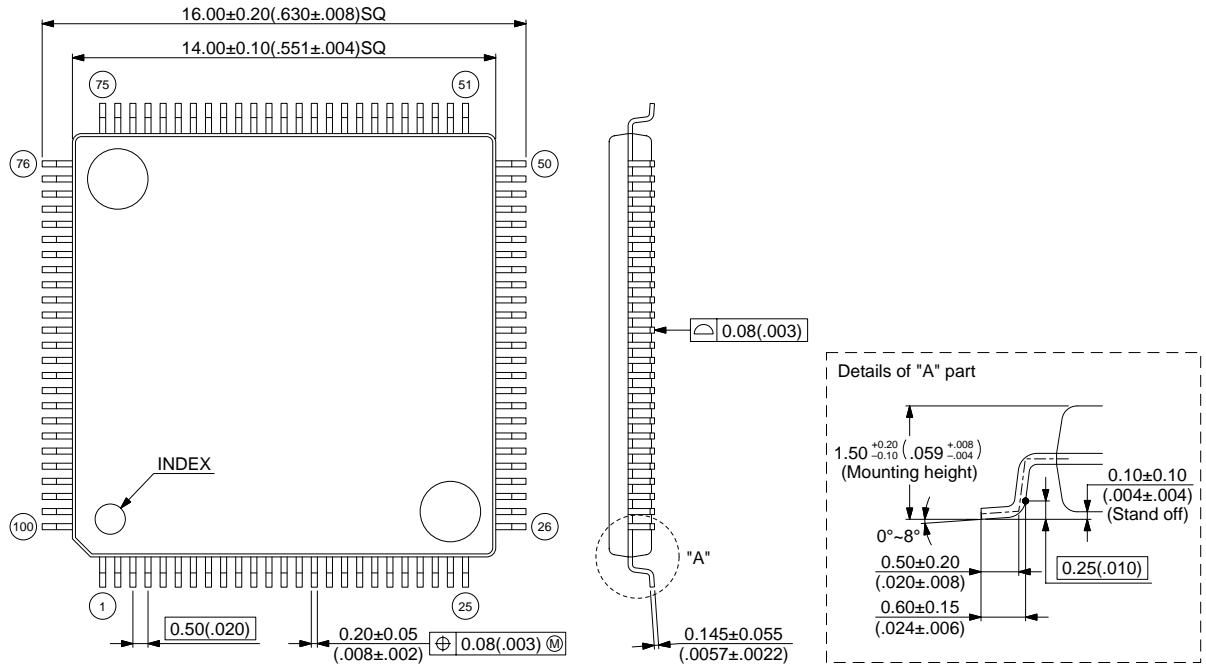


© 2000 FUJITSU LIMITED F100008-3C-3

Dimensions in mm (inches)

# MB90540/540G/545/545G Series

100-pin Plastic LQFP  
(FPT-100P-M05)

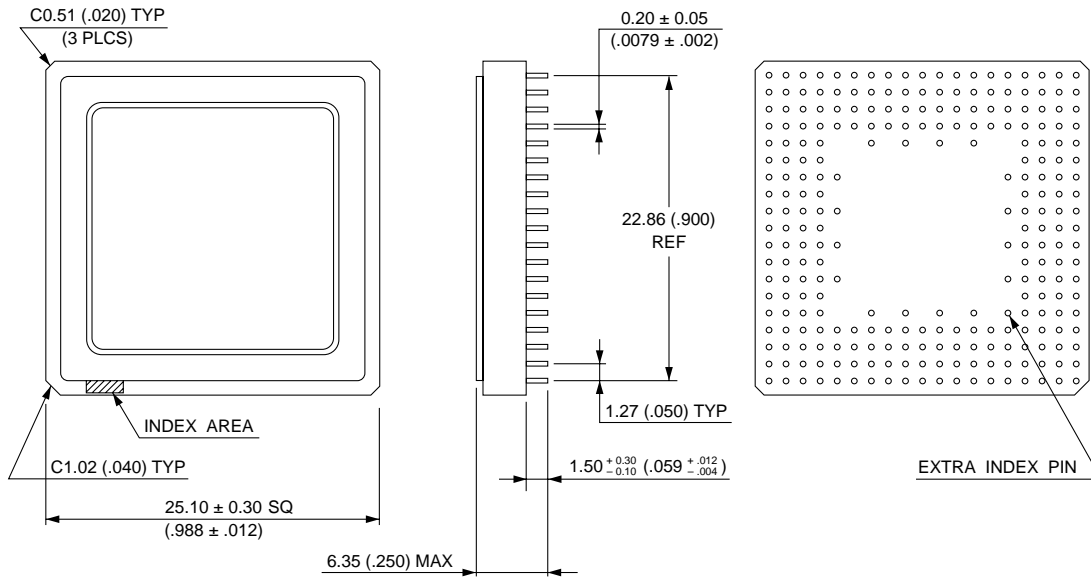


© 2000 FUJITSU LIMITED F100007S-3c-5

Dimensions in mm (inches)

# MB90540/540G/545/545G Series

250-pin Ceramic PGA  
(PGA-256C-A01)



© 1994 FUJITSU LIMITED R256001SC-5-3

Dimensions in mm (inches)

# MB90540/540G/545/545G Series

## FUJITSU LIMITED

*For further information please contact:*

### **Japan**

FUJITSU LIMITED  
Marketing Division  
Electronic Devices  
Shinjuku Dai-Ichi Seimei Bldg. 7-1,  
Nishishinjuku 2-chome, Shinjuku-ku,  
Tokyo 163-0721, Japan  
Tel: +81-3-5322-3353  
Fax: +81-3-5322-3386

<http://edevice.fujitsu.com/>

### **North and South America**

FUJITSU MICROELECTRONICS, INC.  
3545 North First Street,  
San Jose, CA 95134-1804, U.S.A.  
Tel: +1-408-922-9000  
Fax: +1-408-922-9179

Customer Response Center  
*Mon. - Fri.: 7 am - 5 pm (PST)*  
Tel: +1-800-866-8608  
Fax: +1-408-922-9179

<http://www.fujitsumicro.com/>

### **Europe**

FUJITSU MICROELECTRONICS EUROPE GmbH  
Am Siebenstein 6-10,  
D-63303 Dreieich-Buchsschlag,  
Germany  
Tel: +49-6103-690-0  
Fax: +49-6103-690-122

<http://www.fujitsu-fme.com/>

### **Asia Pacific**

FUJITSU MICROELECTRONICS ASIA PTE. LTD.  
#05-08, 151 Lorong Chuan,  
New Tech Park,  
Singapore 556741  
Tel: +65-281-0770  
Fax: +65-281-0220

<http://www.fmap.com.sg/>

### **Korea**

FUJITSU MICROELECTRONICS KOREA LTD.  
1702 KOSMO TOWER, 1002 Daechi-Dong,  
Kangnam-Gu, Seoul 135-280  
Korea  
Tel: +82-2-3484-7100  
Fax: +82-2-3484-7111

F0104

© FUJITSU LIMITED Printed in Japan

All Rights Reserved.

The contents of this document are subject to change without notice. Customers are advised to consult with FUJITSU sales representatives before ordering.

The information and circuit diagrams in this document are presented as examples of semiconductor device applications, and are not intended to be incorporated in devices for actual use. Also, FUJITSU is unable to assume responsibility for infringement of any patent rights or other rights of third parties arising from the use of this information or circuit diagrams.

The products described in this document are designed, and manufactured as contemplated for general use, including without limitation, ordinary industrial use, general office use, personal use, and household use, but are not designed, developed and manufactured as contemplated (1) for use accompanying fatal risks or dangers that, unless extremely high safety is secured, could have a serious effect to the public, and could lead directly to death, personal injury, severe physical damage or other loss (i.e., nuclear reaction control in nuclear facility, aircraft flight control, air traffic control, mass transport control, medical life support system, missile launch control in weapon system), or (2) for use requiring extremely high reliability (i.e., submersible repeater and artificial satellite).

Please note that Fujitsu will not be liable against you and/or any third party for any claims or damages arising in connection with above-mentioned uses of the products.

Any semiconductor devices have inherently a certain rate of failure. You must protect against injury, damage or loss from such failures by incorporating safety design measures into your facility and equipment such as redundancy, fire protection, and prevention of over-current levels and other abnormal operating conditions.

If any products described in this document represent goods or technologies subject to certain restrictions on export under the Foreign Exchange and Foreign Trade Control Law of Japan, the prior authorization by Japanese government should be required for export of those products from Japan.

## X-ON Electronics

Largest Supplier of Electrical and Electronic Components

*Click to view similar products for [16-bit Microcontrollers - MCU category](#):*

*Click to view products by [Cypress manufacturer](#):*

Other Similar products are found below :

[M30302FCPP#U3](#) [MB90F036APMC-GSE1](#) [MB90F428GCPFR-GSE1](#) [MB96F683RBPMC-GSAE1](#) [R5F10MMGDFB#30](#)  
[R5F111PGGFB#30](#) [R5F117BCGNA#20](#) [R5F11BGEAFB#30](#) [DF3026XBL25V](#) [DF36014GFTV](#) [DF36014GFXV](#) [DF36024GFTV](#)  
[DF36034GFPV](#) [R5F11B7EANA#U0](#) [R5F21172DSP#U0](#) [MB90092PF-G-BNDE1](#) [MB90F335APMC1-G-SPE1](#) [MB90F345CAPFR-GSE1](#)  
[MB90F568PMCR-GE1](#) [MB90F882ASPMC-GE1](#) [MB96F395RSAPMC-GSE2](#) [DF36024GFXV](#) [UPD78F1018F1-BA4-A](#) [MB96F018RBPMC-](#)  
[GSE1](#) [MB90F867ASPFR-GE1](#) [DF2239FA20IV](#) [R5F117BCGFP#30](#) [LC88F58B0AU-SQFPH](#) [MB90F548GPF-GE1](#) [MB90214PF-GT-310-](#)  
[BND-AE1](#) [MB90F342CESPQC-GSE2](#) [MB90F428GAPF-GSE1](#) [ML620Q504H-NNNTBWBX](#) [UPD78F1500AGK-GAK-AX](#)  
[HD64F3337SF16V](#) [MB90F428GCPF-GSE1](#) [MB90F342ESPMC-G-JNE1](#) [MB90022PF-GS-358E1](#) [MB96F395RWAPMC-GSE2](#)  
[MB96395RSAPMC-GS-110E2](#) [MB90F883CSPMC-GE1](#) [S912ZVHY64F1VLQ](#) [ST10F280](#) [MB96F338RSAPMCR-GK5E2](#) [CY90096PF-G-](#)  
[002-BND-ERE1](#) [ML62Q1569-NNNGAZ0AX](#) [ML62Q1739-NNNGAZ0AX](#) [ML62Q1749-NNNGAZ0AX](#) [ML62Q1579-NNNGAZ0AX](#)  
[ML62Q1559-NNNGAZ0AX](#)