

## General Description

The CYBLE-2120XX-X0 is a Bluetooth® Low Energy (BLE) wireless module solution. The CYBLE-2120XX-X0 is a turnkey solution and includes onboard crystal oscillators, trace antenna, passive components, and the Cypress PSoC™ BLE. Refer to the [CYBL10XX7X datasheet](#) for additional details on the capabilities of the PSoC BLE device used on this module.

The CYBLE-2120XX-X0 supports a number of peripheral functions (ADC, timers, counters, PWM) and serial communication protocols (I<sup>2</sup>C, UART, SPI) through its programmable architecture. The CYBLE-212019-00 includes a royalty-free BLE stack compatible with Bluetooth 4.1 and provides up to 23 GPIOs in a 14.52 × 19.20 × 2.00 mm package.

The CYBLE-2120XX-X0 is available in a fully certified and qualified version (CYBLE-212019-00), and an uncertified version (CYBLE-212023-10). The CYBLE-212023-10 does not include an RF shield and is not certified by Bluetooth SIG or regulatory agencies. The CYBLE-2120XX-X0 is drop-in compatible with the CYBLE-0120XX-00 EZ-BLE PSoC Module.

The CYBLE-2120XX-X0 is a complete solution targeted at applications requiring cost optimized BLE wireless connectivity.

## Module Description

- Module size: 14.52 mm × 19.20 mm × 2.00 mm (with shield)
- Castelated solder pad connections for ease-of-use
- 256-KB flash memory, 32-KB SRAM memory
- Up to 23 GPIOs configurable as open drain high/low, pull-up/pull-down, HI-Z analog, HI-Z digital, or strong output
- Bluetooth 4.1 single-mode module (CYBLE-212019-00 only)
  - QDID: [81503](#)
  - Declaration ID: [D030315](#)
- Certified to FCC, IC, MIC, KC, and CE regulations
- Industrial temperature range: -40 °C to +85 °C
- 32-bit processor (0.9 DMIPS/MHz) with single-cycle 32-bit multiply, operating at up to 48 MHz
- Watchdog timer with dedicated internal low-speed oscillator (ILO)
- Two-pin SWD for programming

## Power Consumption

- TX output power: -18 dbm to +3 dbm
- Received signal strength indicator (RSSI) with 1-dB resolution
- TX current consumption of 15.6 mA (radio only, 0 dbm)
- RX current consumption of 16.4 mA (radio only)

- Low power mode support
  - Deep Sleep: 1.3 µA with watch crystal oscillator (WCO) on
  - Hibernate: 150 nA with SRAM retention
  - Stop: 60 nA with GPIO (P2.2) or XRES wakeup

## Functional Capabilities

- Up to 22 capacitive sensors for buttons or sliders with best-in-class signal-to-noise ration (SNR) and liquid tolerance
- 12-bit, 1-Msps SAR ADC with internal reference, sample-and-hold (S/H), and channel sequencer
- Two serial communication blocks (SCBs) supporting I<sup>2</sup>C (master/slave), SPI (master/slave), or UART
- Four dedicated 16-bit timer, counter, or PWM blocks (TCPWMs)
- LCD drive supported on all GPIOs (common or segment)
- Programmable low voltage detect (LVD) from 1.8 V to 4.5 V
- I<sup>2</sup>S master interface
- Bluetooth Low Energy protocol stack supporting generic access profile (GAP) Central, Peripheral, Observer, or Broadcaster roles
- Switches between Central and Peripheral roles on-the-go
- Standard Bluetooth Low Energy profiles and services for interoperability
- Custom profile and service for specific use cases

## Benefits

The CYBLE-2120XX-X0 module is provided as a turnkey solution, including all necessary hardware required to use BLE communication standards.

- Proven hardware design ready to use
- Cost optimized for applications without space constraint
- Reprogrammable architecture
- Fully certified module eliminates the time needed for design, development and certification processes
- Bluetooth SIG qualified with QDID and Declaration ID
- Flexible communication protocol support
- PSoC Creator™ provides an easy-to-use integrated design environment (IDE) to configure, develop, program, and test a BLE application

## More Information

Cypress provides a wealth of data at [www.cypress.com](http://www.cypress.com) to help you to select the right module for your design, and to help you to quickly and effectively integrate the module into your design.

- Overview: [EZ-BLE Module Portfolio](#), [Module Roadmap](#)
- [EZ-BLE PSoC Product Overview](#)
- [PSoC BLE Silicon Datasheet](#)
- Application notes: Cypress offers a number of BLE application notes covering a broad range of topics, from basic to advanced level. Recommended application notes for getting started with EZ-BLE modules are:
  - [AN96841](#) - Getting Started with EZ-BLE Module
  - [AN94020](#) - Getting Started with PSoC BLE
  - [AN97060](#) - PSoC<sup>®</sup> 4 BLE and PSoC<sup>™</sup> BLE - Over-The-Air (OTA) Device Firmware Upgrade (DFU) Guide
  - [AN91162](#) - Creating a BLE Custom Profile
  - [AN91184](#) - PSoC 4 BLE - Designing BLE Applications
  - [AN92584](#) - Designing for Low Power and Estimating Battery Life for BLE Applications
  - [AN85951](#) - PSoC<sup>®</sup> 4 CapSense<sup>®</sup> Design Guide
  - [AN95089](#) - PSoC<sup>®</sup> 4/PSoC<sup>™</sup> BLE Crystal Oscillator Selection and Tuning Techniques
  - [AN91445](#) - Antenna Design and RF Layout Guidelines
- Technical Reference Manual (TRM):
  - PSoC<sup>®</sup> BLE [Technical Reference Manual](#)
- Knowledge Base Articles
  - [KBA10896](#) - Pin Mapping Differences Between the EZ-BLE<sup>™</sup> PSoC<sup>™</sup> Evaluation Board (CYBLE-212019-EVAL) and the BLE Pioneer Kit (CY8CKIT-042-BLE) - KBA10896
  - [KBA210638](#) - RF Regulatory Certifications for CYBLE-012011-00 and CYBLE-212019-00 EZ-BLE<sup>™</sup> PSoC<sup>®</sup> Modules - KBA210638
  - [KBA97095](#) - EZ-BLE<sup>™</sup> Module Placement
  - [KBA213976](#) - FAQ for BLE and Regulatory Certifications with EZ-BLE modules
  - [KBA210802](#) - Queries on BLE Qualification and Declaration Processes
- Development Kits:
  - [CYBLE-212019-EVAL](#), CYBLE-2120XX-X0 Evaluation Board
  - [CY8CKIT-042-BLE](#), Bluetooth<sup>®</sup> Low Energy (BLE) Pioneer Kit
  - [CY8CKIT-002](#), PSoC<sup>®</sup> MiniProg3 Program and Debug Kit
- Test and Debug Tools:
  - [CYSmart](#), Bluetooth<sup>®</sup> LE Test and Debug Tool (Windows)
  - [CYSmart Mobile](#), Bluetooth<sup>®</sup> LE Test and Debug Tool (Android/iOS Mobile App)

## Two Easy-To-Use Design Environments to Get You Started Quickly

### PSoC<sup>®</sup> Creator<sup>™</sup> Integrated Design Environment (IDE)

[PSoC Creator](#) is an Integrated Design Environment (IDE) that enables concurrent hardware and firmware editing, compiling and debugging of PSoC 3, PSoC 4, PSoC 5LP, PSoC 4 BLE, PSoC BLE and EZ-BLE module systems with no code size limitations. PSoC peripherals are designed using schematic capture and simple graphical user interface (GUI) with over 120 pre-verified, production-ready PSoC Components<sup>™</sup>.

PSoC Components are analog and digital “virtual chips,” represented by an icon that users can drag-and-drop into a design and configure to suit a broad array of application requirements.

#### *Bluetooth Low Energy Component*

The [Bluetooth Low Energy Component](#) inside PSoC Creator provides a comprehensive GUI-based configuration window that lets you quickly design BLE applications. The Component incorporates a Bluetooth Core Specification v4.1 compliant BLE protocol stack and provides API functions to enable user applications to interface with the underlying Bluetooth Low Energy Sub-System (BLESS) hardware via the stack.

#### **EZ-Serial<sup>™</sup> BLE Firmware Platform**

The [EZ-Serial Firmware Platform](#) provides a simple way to access the most common hardware and communication features needed in BLE applications. EZ-Serial implements an intuitive API protocol over the UART interface and exposes various status and control signals through the module’s GPIOs, making it easy to add BLE functionality quickly to existing designs.

Use a simple serial terminal and evaluation kit to begin development without requiring an IDE. Refer to the EZ-Serial webpage for User Manuals and instructions for getting started as well as detailed reference materials.

EZ-BLE modules are pre-flashed with the EZ-Serial Firmware Platform. If you do not have EZ-Serial pre-loaded on your module, you can download each EZ-BLE module’s firmware images on the [EZ-Serial webpage](#).

hardware via the stack.

## Technical Support

- [Frequently Asked Questions \(FAQs\)](#): Learn more about our BLE ECO System.
- [Forum](#): See if your question is already answered by fellow developers on the PSoC 4 BLE and PSoC BLE forums.
- Visit our [support](#) page and create a [technical support case](#) or contact a [local sales representative](#). If you are in the United States, you can talk to our technical support team by calling our toll-free number: +1-800-541-4736. Select option 2 at the prompt.

## Contents

|   |           |  |           |
|---|-----------|--|-----------|
| <b>Overview</b> .....   | <b>4</b>  | Environmental Conditions .....                       | 29        |
| Module Description.....   | 4         | ESD and EMI Protection .....                         | 29        |
| <b>Pad Connection Interface</b> .....                                     | <b>6</b>  | <b>Regulatory Information</b> .....                  | <b>30</b> |
| <b>Recommended Host PCB Layout</b> .....                                  | <b>7</b>  | FCC .....  | 30        |
| <b>Digital and Analog Capabilities and Connections</b> .....              | <b>9</b>  | Industry Canada (IC) Certification .....             | 31        |
| <b>Power Supply Connections and Recommended External Components</b> ..... | <b>10</b> | European R&TTE Declaration of Conformity .....       | 31        |
| Connection Options.....   | 10        | MIC Japan .....                                      | 32        |
| External Component Recommendation .....                                   | 10        | KC Korea.....  | 32        |
| Critical Components List .....  | 13        | <b>Packaging</b> .....                               | <b>33</b> |
| Antenna Design .....  | 13        | <b>Ordering Information</b> .....                    | <b>35</b> |
| <b>Electrical Specification</b> .....                                     | <b>14</b> | Part Numbering Convention .....                      | 35        |
| GPIO .....  | 16        | <b>Acronyms</b> .....                                | <b>36</b> |
| XRES.....   | 17        | <b>Document Conventions</b> .....                    | <b>36</b> |
| Digital Peripherals .....   | 20        | Units of Measure .....                               | 36        |
| Serial Communication .....  | 22        | <b>Document History Page</b> .....                   | <b>37</b> |
| Memory .....  | 23        | <b>Sales, Solutions, and Legal Information</b> ..... | <b>39</b> |
| System Resources .....  | 23        | Worldwide Sales and Design Support.....              | 39        |
| <b>Environmental Specifications</b> .....                                 | <b>29</b> | Products .....                                       | 39        |
| Environmental Compliance .....  | 29        | PSoC® Solutions .....                                | 39        |
| RF Certification.....   | 29        | Cypress Developer Community.....                     | 39        |
| Safety Certification .....  | 29        | Technical Support .....                              | 39        |

## Overview

### Module Description

The CYBLE-2120XX-X0 module is a complete module designed to be soldered to the applications main board.

#### *Module Dimensions and Drawing*

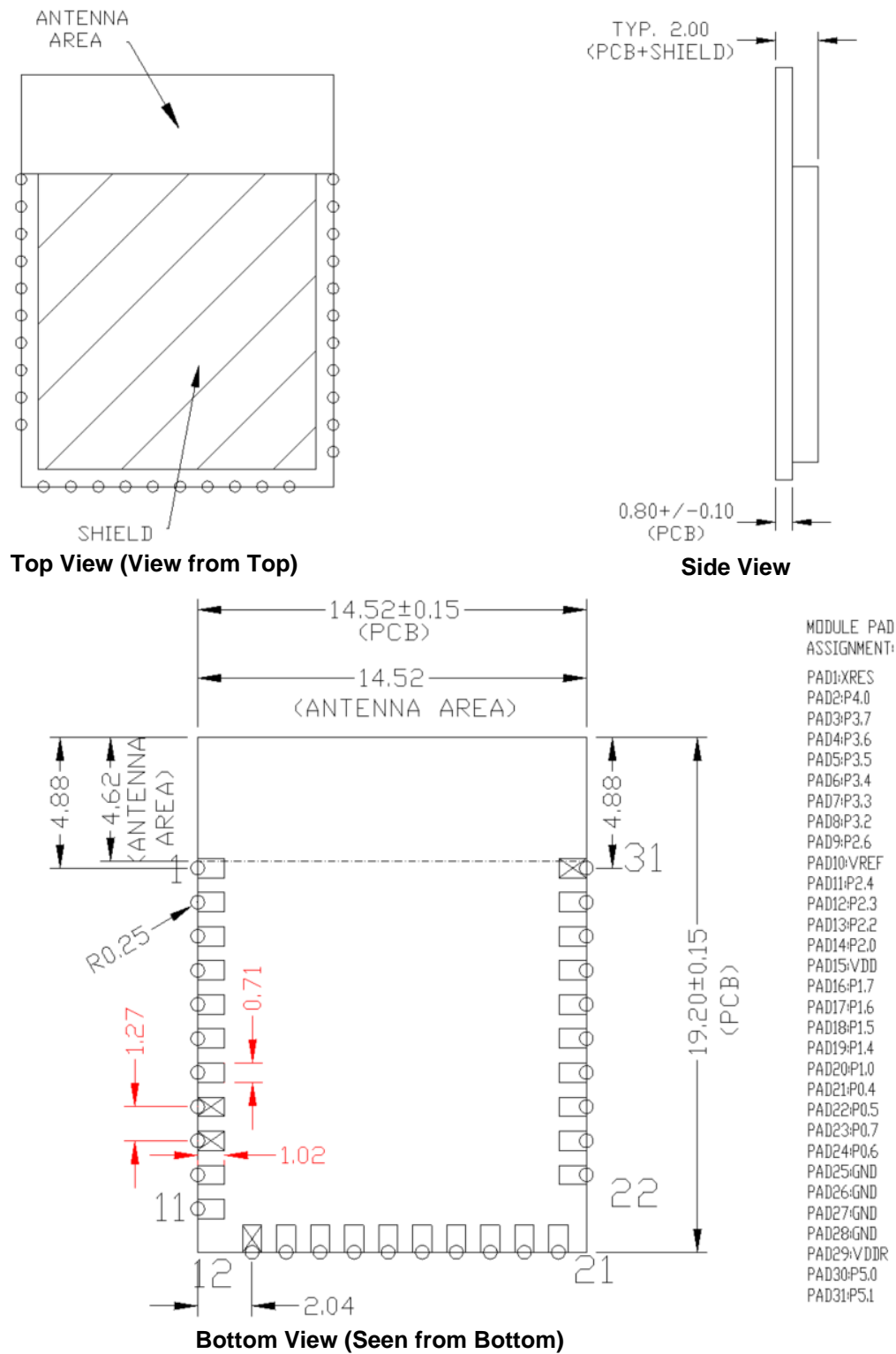
Cypress reserves the right to select components (including the appropriate BLE device) from various vendors to achieve the BLE module functionality. Such selections will still guarantee that all height restrictions of the component area are maintained. Designs should be held within the physical dimensions shown in the mechanical drawings in [Figure 1](#). All dimensions are in millimeters (mm).

**Table 1. Module Design Dimensions**

| Dimension Item   |            | Specification   |
|--|------------|---|
| Module dimensions  | Length (X) | 14.52 ± 0.15 mm   |
|  | Width (Y)  | 19.20 ± 0.15 mm   |
| Antenna location dimensions                                    | Length (X) | 11.00 ± 0.15 mm   |
|  | Width (Y)  | 5.00 ± 0.15 mm  |
| PCB thickness  | Height (H) | 0.80 ± 0.10 mm  |
| Shield height  | Height (H) | 1.20 ± 0.10 mm  |
| Maximum component height                                       | Height (H) | 1.20-mm typical (shield) - CYBLE-212019-00<br>0.75-mm typical (crystal) - CYBLE-212023-10 |
| Total module thickness (bottom of module to highest component) | Height (H) | 2.00-mm typical - CYBLE-212019-00<br>1.55-mm typical - CYBLE-212023-10                    |

See [Figure 1](#) on [page 5](#) for the mechanical reference drawing for CYBLE-2120XX-X0.

**Figure 1. Module Mechanical Drawing**



**Note**

1. No metal should be located beneath or above the antenna area. Only bare PCB material should be located beneath the antenna area. For more information on recommended host PCB layout, see [Figure 3](#), [Figure 4](#), [Figure 5](#), and [Figure 6](#) and [Table 3](#).

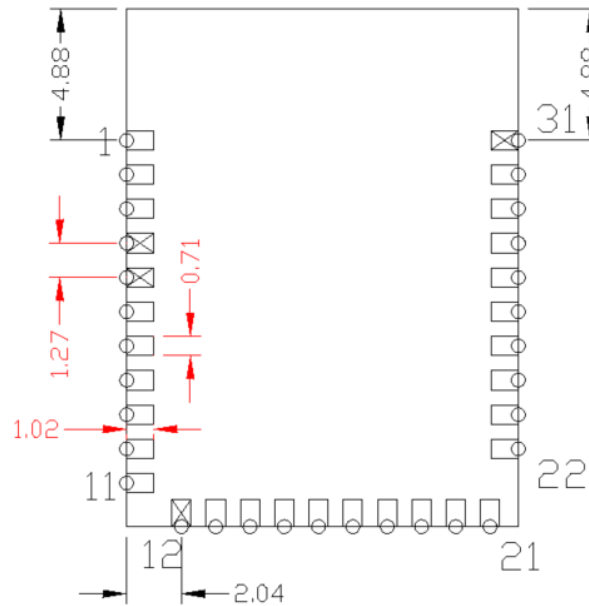
## Pad Connection Interface

As shown in the bottom view of [Figure 1 on page 5](#), the CYBLE-2120XX-X0 connects to the host board via solder pads on the backside of the module. [Table 2](#) and [Figure 2](#) detail the solder pad length, width, and pitch dimensions of the CYBLE-2120XX-X0 module.

**Table 2. Solder Pad Connection Description**

| Name | Connections | Connection Type | Pad Length Dimension | Pad Width Dimension | Pad Pitch |
|------|-------------|-----------------|----------------------|---------------------|-----------|
| SP   | 31          | Solder Pads     | 1.02 mm              | 0.71 mm             | 1.27 mm   |

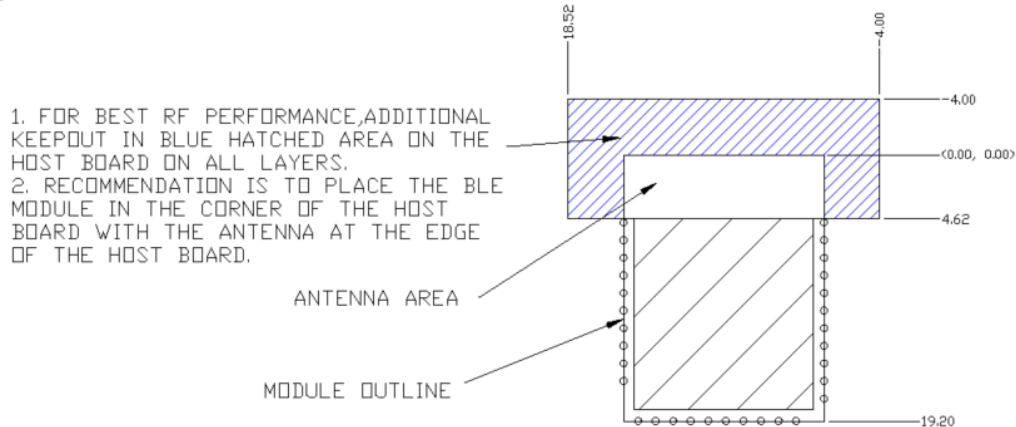
**Figure 2. Solder Pad Dimensions (Seen from Bottom)**



To maximize RF performance, the host layout should follow these recommendations:

1. The ideal placement of the Cypress BLE module is in a corner of the host board with the trace antenna located at the far corner. This placement minimizes the additional recommended keep out area stated in item 2. Refer to [AN96841](#) for module placement best practices.
2. To maximize RF performance, the area immediately around the Cypress BLE module trace antenna should contain an additional keep out area, where no grounding or signal trace are contained. The keep out area applies to all layers of the host board. The recommended dimensions of the host PCB keep out area are shown in [Figure 3](#) (dimensions are in mm).

**Figure 3. Recommended Host PCB Keep Out Area Around the CYBLE-2120XX-X0 Antenna**



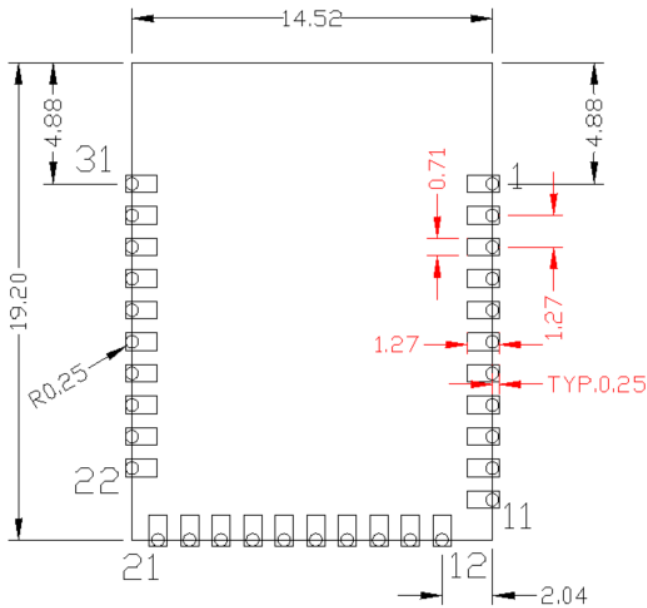
**Host PCB Keep Out Area Around Trace Antenna**

## Recommended Host PCB Layout

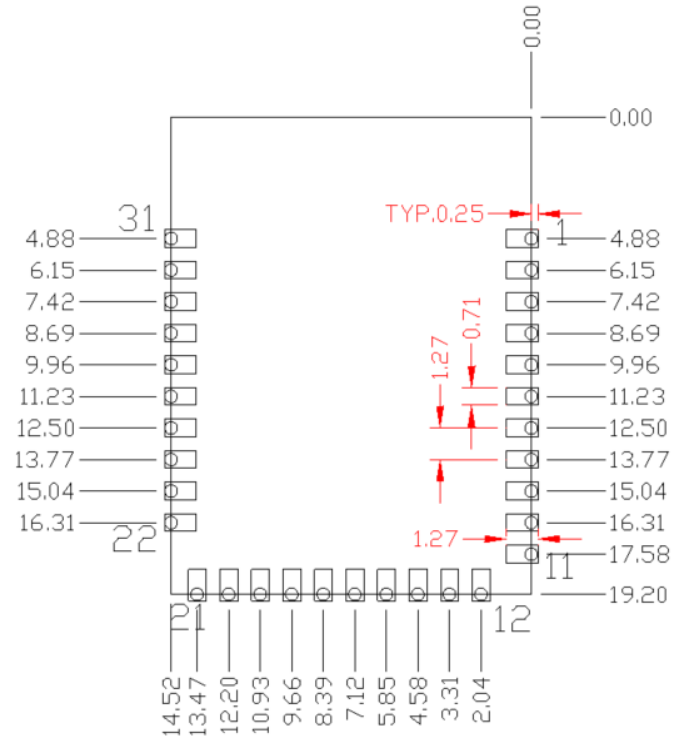
Figure 4, Figure 5, Figure 6, and Table 3 provide details that can be used for the recommended host PCB layout pattern for the CYBLE-212019-00. Dimensions are in millimeters unless otherwise noted. Pad length of 1.27 mm (0.635 mm from center of the pad on either side) shown in Figure 6 is the minimum recommended host pad length. The host PCB layout pattern can be completed using either Figure 4, Figure 5, or Figure 6. It is not necessary to use all figures to complete the host PCB layout pattern.

**Figure 4. Host Layout Pattern for CYBLE-2120XX-X0**

**Figure 5. Module Pad Location from Origin**



**Top View (Seen on Host PCB)**



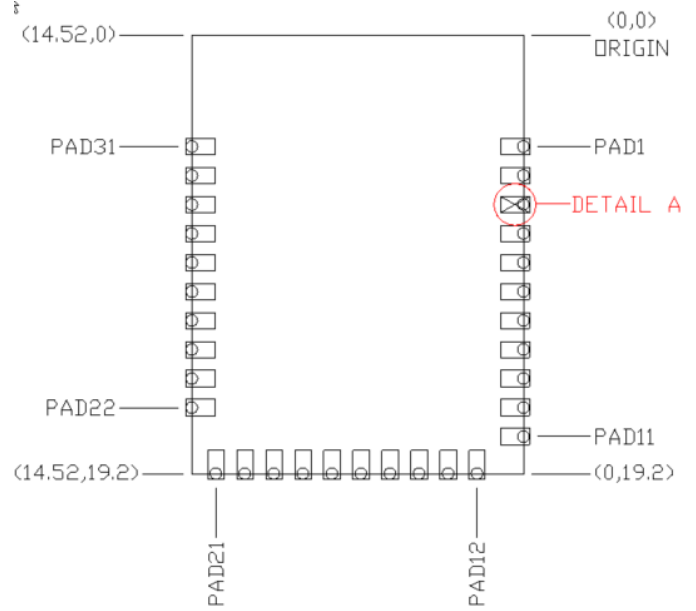
**Top View (Seen on Host PCB)**

Table 3 provides the center location for each solder pad on the CYBLE-2120XX-X0. All dimensions are referenced to the center of the solder pad. Refer to Figure 6 for the location of each module solder pad.

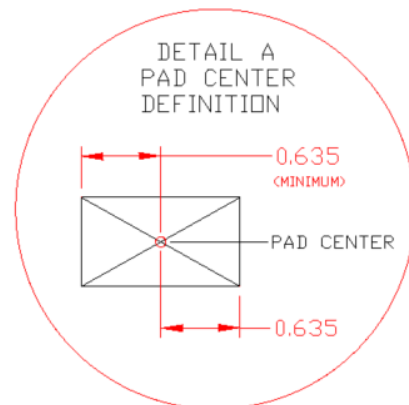
**Table 3. Module Solder Pad Location**

| Solder Pad (Center of Pad) | Location (X,Y) from Origin (mm) | Dimension from Origin (mils) |
|----------------------------|---------------------------------|------------------------------|
| 1                          | (0.39, 4.88)                    | (15.35, 192.13)              |
| 2                          | (0.39, 6.15)                    | (15.35, 242.13)              |
| 3                          | (0.39, 7.42)                    | (15.35, 292.13)              |
| 4                          | (0.39, 8.69)                    | (15.35, 342.13)              |
| 5                          | (0.39, 9.96)                    | (15.35, 392.13)              |
| 6                          | (0.39, 11.23)                   | (15.35, 442.13)              |
| 7                          | (0.39, 12.50)                   | (15.35, 492.13)              |
| 8                          | (0.39, 13.77)                   | (15.35, 542.13)              |
| 9                          | (0.39, 15.04)                   | (15.35, 592.13)              |
| 10                         | (0.39, 16.31)                   | (15.35, 642.13)              |
| 11                         | (0.39, 17.58)                   | (15.35, 692.13)              |
| 12                         | (2.04, 18.82)                   | (80.31, 740.94)              |
| 13                         | (3.31, 18.82)                   | (130.31, 740.94)             |
| 14                         | (4.58, 18.82)                   | (180.31, 740.94)             |
| 15                         | (5.85, 18.82)                   | (230.31, 740.94)             |
| 16                         | (7.12, 18.82)                   | (280.31, 740.94)             |
| 17                         | (8.39, 18.82)                   | (330.31, 740.94)             |
| 18                         | (9.66, 18.82)                   | (380.31, 740.94)             |
| 19                         | (10.93, 18.82)                  | (430.31, 740.94)             |
| 20                         | (12.20, 18.82)                  | (480.31, 740.94)             |
| 21                         | (13.47, 18.82)                  | (530.31, 740.94)             |
| 22                         | (14.14, 16.31)                  | (556.69, 642.12)             |
| 23                         | (14.14, 15.04)                  | (556.69, 592.12)             |
| 24                         | (14.14, 13.77)                  | (556.69, 542.12)             |
| 25                         | (14.14, 12.50)                  | (556.69, 492.12)             |
| 26                         | (14.14, 11.23)                  | (556.69, 442.12)             |
| 27                         | (14.14, 9.96)                   | (556.69, 392.12)             |
| 28                         | (14.14, 8.69)                   | (556.69, 342.12)             |
| 29                         | (14.14, 7.42)                   | (556.69, 292.12)             |
| 30                         | (14.14, 6.15)                   | (556.69, 242.12)             |
| 31                         | (14.14, 4.88)                   | (556.69, 192.12)             |

**Figure 6. Solder Pad Reference Location**



**Top View (Seen on Host PCB)**





## Digital and Analog Capabilities and Connections

Table 4 details the solder pad connection definitions and available functions for each connection pad. Table 4 lists the solder pads on CYBLE-2120XX-X0, the BLE device port-pin, and denotes whether the function shown is available for each solder pad. Each connection is configurable for a single option shown with a ✓.

**Table 4. Solder Pad Connection Definitions**

| Solder Pad Number | Device Port Pin     | UART                                     | SPI          | I <sup>2</sup> C | TCPWM <sup>[2,3]</sup> | Cap-Sense            | WCO Out | ECO Out | LCD | SWD       | GPIO |
|-------------------|---------------------|--|--------------|------------------|------------------------|----------------------|---------|---------|-----|-----------|------|
| 1                 | XRES                | External Reset Hardware Connection Input |              |                  |                        |                      |         |         |     |           |      |
| 2                 | P4.0 <sup>[4]</sup> | ✓(SCB1_RTS)                              | ✓(SCB1_MOSI) |                  | ✓(TCPWM0_P)            | ✓(C <sub>MOD</sub> ) |         |         | ✓   |           | ✓    |
| 3                 | P3.7                | ✓(SCB1_CTS)                              |              |                  | ✓(TCPWM)               | ✓(Sensor)            | ✓       |         | ✓   |           | ✓    |
| 4                 | P3.6                | ✓(SCB1_RTS)                              |              |                  | ✓(TCPWM)               | ✓(Sensor)            |         |         | ✓   |           | ✓    |
| 5                 | P3.5                | ✓(SCB1_TX)                               |              | ✓(SCB1_SCL)      | ✓(TCPWM)               | ✓(Sensor)            |         |         | ✓   |           | ✓    |
| 6                 | P3.4                | ✓(SCB1_RX)                               |              | ✓(SCB1_SDA)      | ✓(TCPWM)               | ✓(Sensor)            |         |         | ✓   |           | ✓    |
| 7                 | P3.3                | ✓(SCB0_CTS)                              |              |                  | ✓(TCPWM)               | ✓(Sensor)            |         |         | ✓   |           | ✓    |
| 8                 | P3.2                | ✓(SCB0_RTS)                              |              |                  | ✓(TCPWM)               | ✓(Sensor)            |         |         | ✓   |           | ✓    |
| 9                 | P2.6                |  |              |                  | ✓(TCPWM)               | ✓(Sensor)            |         |         | ✓   |           | ✓    |
| 10                | VREF                | Reference Voltage Input (Optional)       |              |                  |                        |                      |         |         |     |           |      |
| 11                | P2.4                |  |              |                  | ✓(TCPWM)               | ✓(Sensor)            |         |         | ✓   |           | ✓    |
| 12                | P2.3                |  |              |                  | ✓(TCPWM)               | ✓(Sensor)            | ✓       |         | ✓   |           | ✓    |
| 13                | P2.2                |  | ✓(SCB0_SS3)  |                  | ✓(TCPWM)               | ✓(Sensor)            |         |         | ✓   |           | ✓    |
| 14                | P2.0                |  | ✓(SCB0_SS1)  |                  | ✓(TCPWM)               | ✓(Sensor)            |         |         | ✓   |           | ✓    |
| 15                | V <sub>DD</sub>     | Digital Power Supply Input (1.8 to 5.5V) |              |                  |                        |                      |         |         |     |           |      |
| 16                | P1.7                | ✓(SCB0_CTS)                              | ✓(SCB0_SCLK) |                  | ✓(TCPWM)               | ✓(Sensor)            |         |         | ✓   |           | ✓    |
| 17                | P1.6                | ✓(SCB0_RTS)                              | ✓(SCB0_SS0)  |                  | ✓(TCPWM)               | ✓(Sensor)            |         |         | ✓   |           | ✓    |
| 18                | P1.5                | ✓(SCB0_TX)                               | ✓(SCB0_MISO) | ✓(SCB0_SCL)      | ✓(TCPWM)               | ✓(Sensor)            |         |         | ✓   |           | ✓    |
| 19                | P1.4                | ✓(SCB0_RX)                               | ✓(SCB0_MOSI) | ✓(SCB0_SDA)      | ✓(TCPWM)               | ✓(Sensor)            |         |         | ✓   |           | ✓    |
| 20                | P1.0                |  |              |                  | ✓(TCPWM)               | ✓(Sensor)            |         |         | ✓   |           | ✓    |
| 21                | P0.4                | ✓(SCB0_RX)                               | ✓(SCB0_MOSI) | ✓(SCB0_SDA)      | ✓(TCPWM)               | ✓(Sensor)            |         | ✓       | ✓   |           | ✓    |
| 22                | P0.5                | ✓(SCB0_TX)                               | ✓(SCB0_MISO) | ✓(SCB0_SCL)      | ✓(TCPWM)               | ✓(Sensor)            |         |         | ✓   |           | ✓    |
| 23                | P0.7                | ✓(SCB0_CTS)                              | ✓(SCB0_SCLK) |                  | ✓(TCPWM)               | ✓(Sensor)            |         |         | ✓   | ✓(SWDCLK) | ✓    |
| 24                | P0.6                | ✓(SCB0_RTS)                              | ✓(SCB0_SS0)  |                  | ✓(TCPWM)               | ✓(Sensor)            |         |         | ✓   | ✓(SWDIO)  | ✓    |
| 25                | GND <sup>[5]</sup>  | Ground Connection                        |              |                  |                        |                      |         |         |     |           |      |
| 26                | GND <sup>[5]</sup>  | Ground Connection                        |              |                  |                        |                      |         |         |     |           |      |
| 27                | GND <sup>[5]</sup>  | Ground Connection                        |              |                  |                        |                      |         |         |     |           |      |
| 28                | GND <sup>[5]</sup>  | Ground Connection                        |              |                  |                        |                      |         |         |     |           |      |
| 29                | V <sub>DDR</sub>    | Radio Power Supply (1.9V to 5.5V)        |              |                  |                        |                      |         |         |     |           |      |
| 30                | P5.0                | ✓(SCB1_RX)                               | ✓(SCB1_SS0)  | ✓(SCB1_SDA)      | ✓(TCPWM3_P)            | ✓(Sensor)            |         |         | ✓   |           | ✓    |
| 31                | P5.1                | ✓(SCB1_TX)                               | ✓(SCB1_SCLK) | ✓(SCB1_SCL)      | ✓(TCPWM3_N)            | ✓(Sensor)            |         | ✓       | ✓   |           | ✓    |

### Notes

- TCPWM: Timer, Counter, and Pulse Width Modulator. If supported, the pad can be configured to any of these peripheral functions.
- TCPWM connections on ports 0, 1, 2, and 3 can be routed through the Digital Signal Interconnect (DSI) to any of the TCPWM blocks and can be either positive or negative polarity. TCPWM connections on ports 4 and 5 are direct and can only be used with the specified TCPWM block and polarity specified above.
- When using the capacitive sensing functionality, Pad 2 (P4.0) must be connected to a C<sub>MOD</sub> capacitor (located off of Cypress BLE Module). The value of this capacitor is 2.2 nF and should be placed as close to the module as possible.
- The main board needs to connect all GND connections (Pad 25/26/27/28) on the module to the common ground of the system.
- If the I<sup>2</sup>S feature is used in the design, the I<sup>2</sup>S pins shall be dynamically routed to the appropriate available GPIO by PSoC Creator.

## Power Supply Connections and Recommended External Components

### Power Connections

The CYBLE-2120XX-X0 contains two power supply connections, VDD and VDDR. The VDD connection supplies power for both digital and analog device operation. The VDDR connection supplies power for the device radio.

VDD accepts a supply range of 1.71 V to 5.5 V. VDDR accepts a supply range of 1.9 V to 5.5 V. These specifications can be found in Table 9. The maximum power supply ripple for both power connections on the module is 100 mV, as shown in Table 7.

The power supply ramp rate of VDD must be equal to or greater than that of VDDR.

### Connection Options

Two connection options are available for any application:

1. Single supply: Connect VDD and VDDR to the same supply.
2. Independent supply: Power VDD and VDDR separately.

### External Component Recommendation

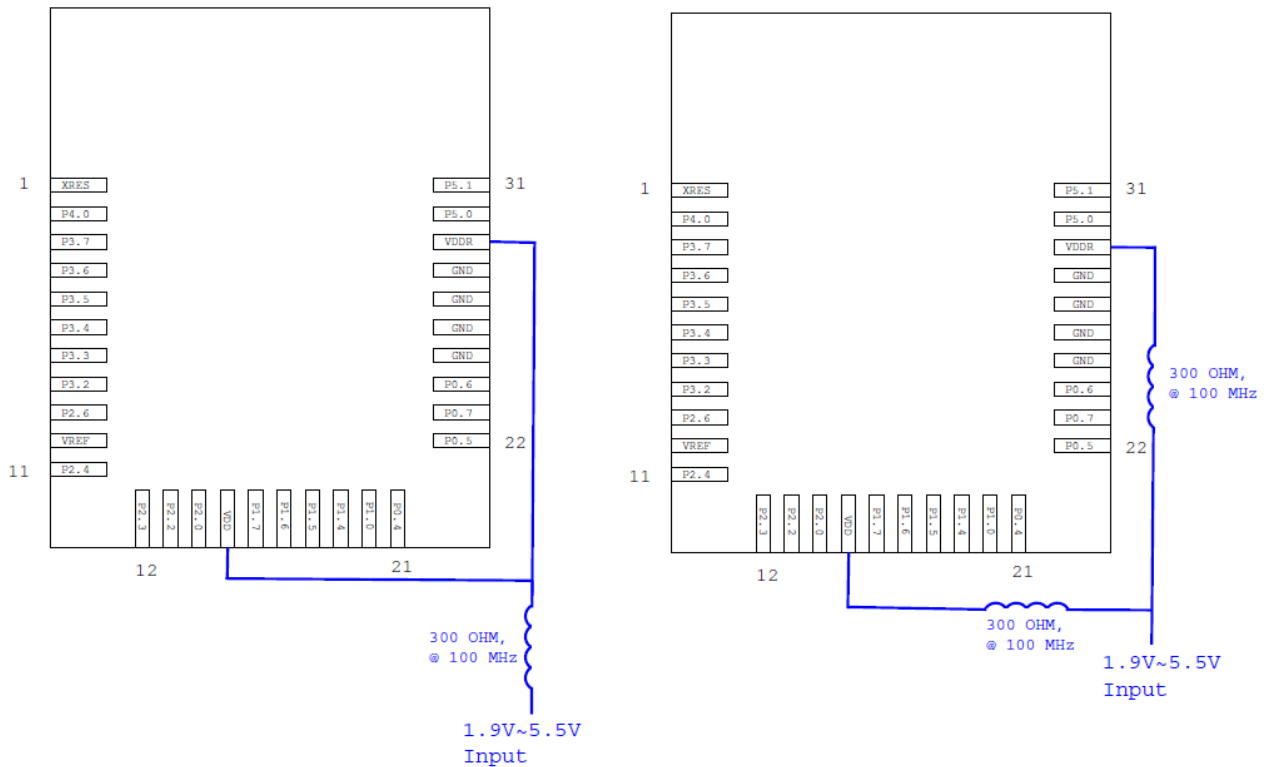
In either connection scenario, it is recommended to place an external ferrite bead between the supply and the module connection. The ferrite bead should be positioned as close as possible to the module pin connection.

Figure 7 details the recommended host schematic options for a single supply scenario. The use of one or two ferrite beads will depend on the specific application and configuration of the CYBLE-2120XX-X0.

Figure 8 details the recommended host schematic for an independent supply scenario.

The recommended ferrite bead value is 330 Ω, 100 MHz. (Murata BLM21PG331SN1D).

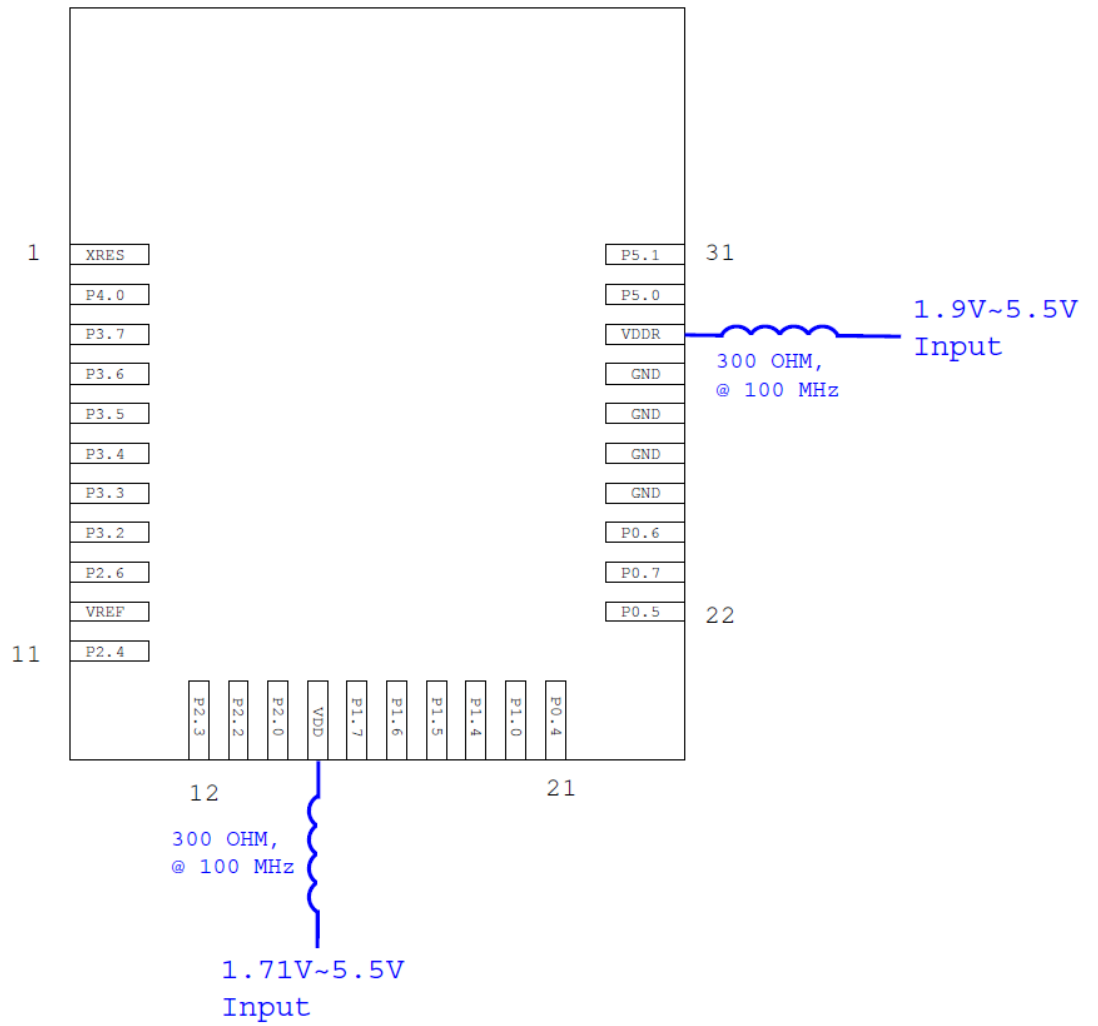
**Figure 7. Recommended Host Schematic Options for a Single Supply Option**



**Single Ferrite Bead Option (Seen from Bottom)**

**Two Ferrite Bead Option (Seen from Bottom)**

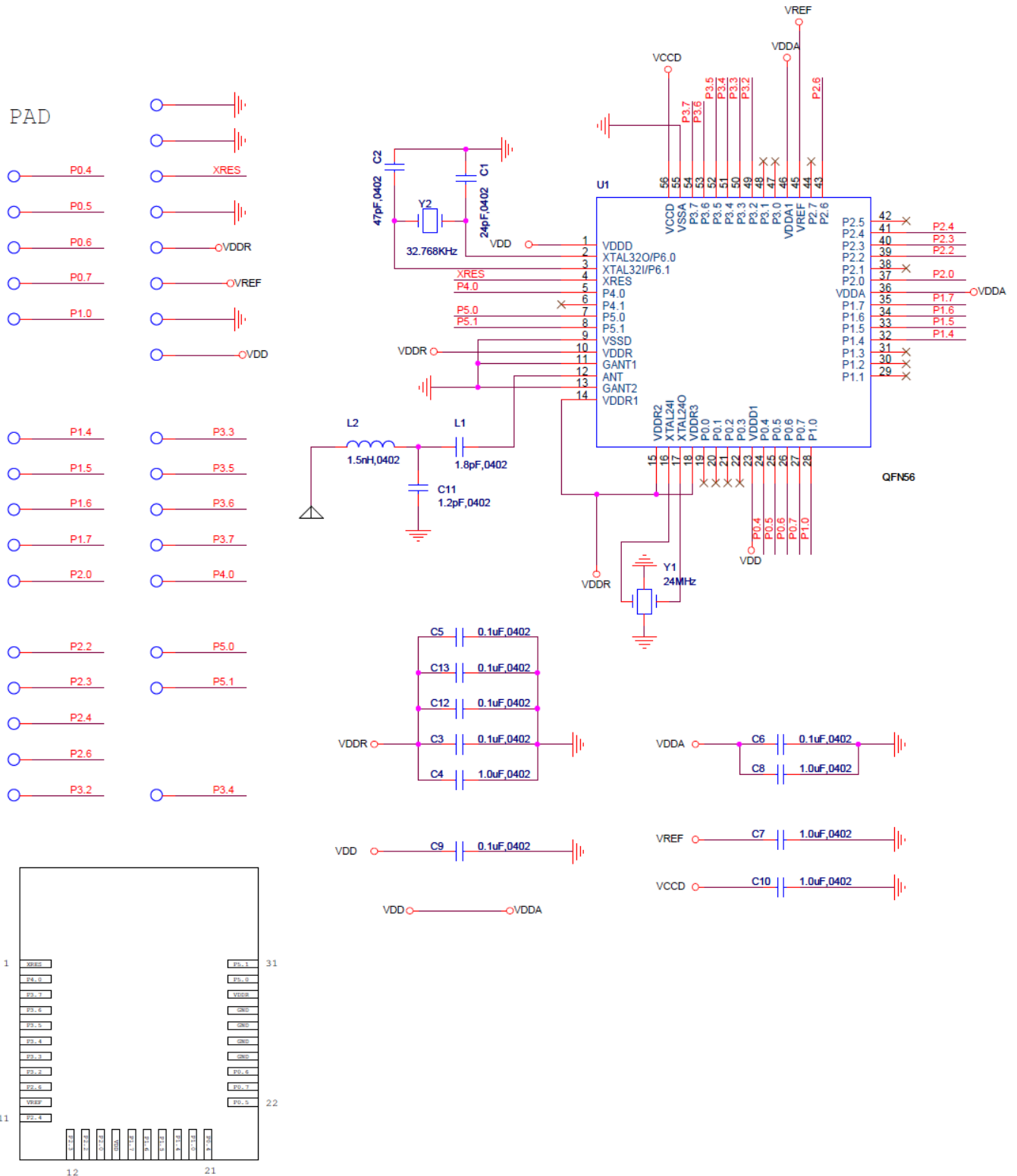
Figure 8. Recommended Host Schematic for an Independent Supply Option



Two Ferrite Bead Option (Seen from Bottom)

The CYBLE-2120XX-X0 schematic is shown in Figure 9.

**Figure 9. CYBLE-2120XX-X0 Schematic Diagram**



## Critical Components List

Table 5 details the critical components used in the CYBLE-2120XX-X0 module.

**Table 5. Critical Component List**

| Component | Reference Designator | Description   |
|-----------|----------------------|---|
| Silicon   | U1                   | 56-pin QFN Programmable Radio-on-Chip (PRoC) with BLE |
| Crystal   | Y1                   | 24.000 MHz, 12PF                                      |
| Crystal   | Y2                   | 32.768 kHz, 12.5PF                                    |

## Antenna Design

Table 6 details trace antenna used in the CYBLE-2120XX-X0 module. For more information, see Table 8.

**Table 6. Trace Antenna Specifications**

| Item            | Description      |
|-----------------|------------------|
| Frequency Range | 2400–2500 MHz    |
| Peak Gain       | 0.5-dBi typical  |
| Average Gain    | –0.5-dBi typical |
| Return Loss     | 10-dB minimum    |

## Electrical Specification

Table 7 details the absolute maximum electrical characteristics for the Cypress BLE module.

**Table 7. CYBLE-2120XX-X0 Absolute Maximum Ratings**

| Parameter                   | Description   | Min  | Typ | Max                  | Units | Details/Conditions                                     |
|-----------------------------|---|------|-----|----------------------|-------|--|
| V <sub>DDD_ABS</sub>        | Analog, digital, or radio supply relative to V <sub>SS</sub> (V <sub>SSD</sub> = V <sub>SSA</sub> )                     | -0.5 | -   | 6                    | V     | Absolute maximum                                       |
| V <sub>CCD_ABS</sub>        | Direct digital core voltage input relative to V <sub>SSD</sub>  | -0.5 | -   | 1.95                 | V     | Absolute maximum                                       |
| V <sub>DD_RIPPLE</sub>      | Maximum power supply ripple for V <sub>DD</sub> and V <sub>DDR</sub> input voltage                                      | -    | -   | 100                  | mV    | 3.0-V supply<br>Ripple frequency of 100 kHz to 750 kHz |
| V <sub>GPIO_ABS</sub>       | GPIO voltage  | -0.5 | -   | V <sub>DD</sub> +0.5 | V     | Absolute maximum                                       |
| I <sub>GPIO_ABS</sub>       | Maximum current per GPIO  | -25  | -   | 25                   | mA    | Absolute maximum                                       |
| I <sub>GPIO_injection</sub> | GPIO injection current: Maximum for V <sub>IH</sub> > V <sub>DD</sub> and minimum for V <sub>IL</sub> < V <sub>SS</sub> | -0.5 | -   | 0.5                  | mA    | Absolute maximum current injected per pin              |
| LU                          | Pin current for latch up  | -200 | -   | 200                  | mA    | -  |

Table 8 details the RF characteristics for the Cypress BLE module.

**Table 8. CYBLE-2120XX-X0 RF Performance Characteristics**

| Parameter        | Description                   | Min  | Typ   | Max  | Units | Details/Conditions                 |
|------------------|-------------------------------|------|-------|------|-------|------------------------------------|
| RF <sub>O</sub>  | RF output power on ANT        | -18  | 0     | 3    | dBm   | Configurable via register settings |
| RX <sub>S</sub>  | RF receive sensitivity on ANT | -    | -87   | -    | dBm   | Guaranteed by design simulation    |
| F <sub>R</sub>   | Module frequency range        | 2400 | -     | 2480 | MHz   | -                                  |
| G <sub>P</sub>   | Peak gain                     | -    | 0.5   | -    | dBi   | -                                  |
| G <sub>Avg</sub> | Average gain                  | -    | -0.5  | -    | dBi   | -                                  |
| RL               | Return loss                   | -    | -10.5 | -    | dB    | -                                  |

Table 9 through Table 48 list the module level electrical characteristics for the CYBLE-2120XX-X0. All specifications are valid for -40 °C ≤ T<sub>A</sub> ≤ 85 °C and T<sub>J</sub> ≤ 100 °C, except where noted. Specifications are valid for 1.71 V to 5.5 V, except where noted.

**Table 9. CYBLE-2120XX-X0 DC Specifications**

| Parameter  | Description                            | Min  | Typ | Max  | Units | Details/Conditions                 |
|--|--|------|-----|------|-------|------------------------------------|
| V <sub>DD1</sub>                                     | Power supply input voltage             | 1.8  | -   | 5.5  | V     | With regulator enabled             |
| V <sub>DD2</sub>                                     | Power supply input voltage unregulated | 1.71 | 1.8 | 1.89 | V     | Internally unregulated supply      |
| V <sub>DDR1</sub>                                    | Radio supply voltage (radio on)        | 1.9  | -   | 5.5  | V     | -                                  |
| V <sub>DDR2</sub>                                    | Radio supply voltage (radio off)       | 1.71 | -   | 5.5  | V     | -                                  |
| <b>Active Mode, V<sub>DD</sub> = 1.71 V to 5.5 V</b> |  |      |     |      |       |                                    |
| I <sub>DD3</sub>                                     | Execute from flash; CPU at 3 MHz       | -    | 1.7 | -    | mA    | T = 25 °C, V <sub>DD</sub> = 3.3 V |
| I <sub>DD4</sub>                                     | Execute from flash; CPU at 3 MHz       | -    | -   | -    | mA    | T = -40 °C to 85 °C                |
| I <sub>DD5</sub>                                     | Execute from flash; CPU at 6 MHz       | -    | 2.5 | -    | mA    | T = 25 °C, V <sub>DD</sub> = 3.3 V |
| I <sub>DD6</sub>                                     | Execute from flash; CPU at 6 MHz       | -    | -   | -    | mA    | T = -40 °C to 85 °C                |
| I <sub>DD7</sub>                                     | Execute from flash; CPU at 12 MHz      | -    | 4   | -    | mA    | T = 25 °C, V <sub>DD</sub> = 3.3 V |

**Table 9. CYBLE-2120XX-X0 DC Specifications (continued)**

| Parameter  | Description                           | Min | Typ  | Max | Units | Details/Conditions  |
|--|---------------------------------------|-----|------|-----|-------|---|
| I <sub>DD8</sub>   | Execute from flash; CPU at 12 MHz     | –   | –    | –   | mA    | T = –40 °C to 85 °C                                       |
| I <sub>DD9</sub>   | Execute from flash; CPU at 24 MHz     | –   | 7.1  | –   | mA    | T = 25 °C,<br>V <sub>DD</sub> = 3.3 V                     |
| I <sub>DD10</sub>  | Execute from flash; CPU at 24 MHz     | –   | –    | –   | mA    | T = –40 °C to 85 °C                                       |
| I <sub>DD11</sub>  | Execute from flash; CPU at 48 MHz     | –   | 13.4 | –   | mA    | T = 25 °C,<br>V <sub>DD</sub> = 3.3 V                     |
| I <sub>DD12</sub>  | Execute from flash; CPU at 48 MHz     | –   | –    | –   | mA    | T = –40 °C to 85 °C                                       |
| <b>Sleep Mode, V<sub>DD</sub> = 1.8 V to 5.5 V</b>                             |                                       |     |      |     |       |   |
| I <sub>DD13</sub>  | IMO on                                | –   | –    | –   | mA    | T = 25 °C, V <sub>DD</sub> = 3.3 V,<br>SYSCLK = 3 MHz     |
| <b>Sleep Mode, V<sub>DD</sub> and V<sub>DDR</sub> = 1.9 V to 5.5 V</b>         |                                       |     |      |     |       |   |
| I <sub>DD14</sub>  | ECO on                                | –   | –    | –   | mA    | T = 25 °C, V <sub>DD</sub> = 3.3 V,<br>SYSCLK = 3 MHz     |
| <b>Deep-Sleep Mode, V<sub>DD</sub> = 1.8 V to 3.6 V</b>                        |                                       |     |      |     |       |   |
| I <sub>DD15</sub>  | WDT with WCO on                       | –   | 1.5  | –   | μA    | T = 25 °C,<br>V <sub>DD</sub> = 3.3 V                     |
| I <sub>DD16</sub>  | WDT with WCO on                       | –   | –    | –   | μA    | T = –40 °C to 85 °C                                       |
| I <sub>DD17</sub>  | WDT with WCO on                       | –   | –    | –   | μA    | T = 25 °C,<br>V <sub>DD</sub> = 5 V                       |
| I <sub>DD18</sub>  | WDT with WCO on                       | –   | –    | –   | μA    | T = –40 °C to 85 °C                                       |
| <b>Deep-Sleep Mode, V<sub>DD</sub> = 1.71 V to 1.89 V (Regulator Bypassed)</b> |                                       |     |      |     |       |   |
| I <sub>DD19</sub>  | WDT with WCO on                       | –   | –    | –   | μA    | T = 25 °C   |
| I <sub>DD20</sub>  | WDT with WCO on                       | –   | –    | –   | μA    | T = –40 °C to 85 °C                                       |
| <b>Hibernate Mode, V<sub>DD</sub> = 1.8 V to 3.6 V</b>                         |                                       |     |      |     |       |   |
| I <sub>DD27</sub>  | GPIO and reset active                 | –   | 150  | –   | nA    | T = 25 °C,<br>V <sub>DD</sub> = 3.3 V                     |
| I <sub>DD28</sub>  | GPIO and reset active                 | –   | –    | –   | nA    | T = –40 °C to 85 °C                                       |
| <b>Hibernate Mode, V<sub>DD</sub> = 3.6 V to 5.5 V</b>                         |                                       |     |      |     |       |   |
| I <sub>DD29</sub>  | GPIO and reset active                 | –   | –    | –   | nA    | T = 25 °C,<br>V <sub>DD</sub> = 5 V                       |
| I <sub>DD30</sub>  | GPIO and reset active                 | –   | –    | –   | nA    | T = –40 °C to 85 °C                                       |
| <b>Stop Mode, V<sub>DD</sub> = 1.8 V to 3.6 V</b>                              |                                       |     |      |     |       |   |
| I <sub>DD33</sub>  | Stop-mode current (V <sub>DD</sub> )  | –   | 20   | –   | nA    | T = 25 °C,<br>V <sub>DD</sub> = 3.3 V                     |
| I <sub>DD34</sub>  | Stop-mode current (V <sub>DDR</sub> ) | –   | 40   | –   | nA    | T = 25 °C,<br>V <sub>DDR</sub> = 3.3 V                    |
| I <sub>DD35</sub>  | Stop-mode current (V <sub>DD</sub> )  | –   | –    | –   | nA    | T = –40 °C to 85 °C                                       |
| I <sub>DD36</sub>  | Stop-mode current (V <sub>DDR</sub> ) | –   | –    | –   | nA    | T = –40 °C to 85 °C,<br>V <sub>DDR</sub> = 1.9 V to 3.6 V |
| <b>Stop Mode, V<sub>DD</sub> = 3.6 V to 5.5 V</b>                              |                                       |     |      |     |       |   |
| I <sub>DD37</sub>  | Stop-mode current (V <sub>DD</sub> )  | –   | –    | –   | nA    | T = 25 °C,<br>V <sub>DD</sub> = 5 V                       |
| I <sub>DD38</sub>  | Stop-mode current (V <sub>DDR</sub> ) | –   | –    | –   | nA    | T = 25 °C,<br>V <sub>DDR</sub> = 5 V                      |
| I <sub>DD39</sub>  | Stop-mode current (V <sub>DD</sub> )  | –   | –    | –   | nA    | T = –40 °C to 85 °C                                       |
| I <sub>DD40</sub>  | Stop-mode current (V <sub>DDR</sub> ) | –   | –    | –   | nA    | T = –40 °C to 85 °C                                       |

**Table 10. AC Specifications**

| Parameter       | Description                 | Min | Typ | Max | Units         | Details/Conditions                            |
|-----------------|-----------------------------|-----|-----|-----|---------------|---|
| $F_{CPU}$       | CPU frequency               | DC  | –   | 48  | MHz           | $1.71\text{ V} \leq V_{DD} \leq 5.5\text{ V}$ |
| $T_{SLEEP}$     | Wakeup from Sleep mode      | –   | 0   | –   | $\mu\text{s}$ | Guaranteed by characterization                |
| $T_{DEEPSLEEP}$ | Wakeup from Deep-Sleep mode | –   | –   | 25  | $\mu\text{s}$ | 24-MHz IMO. Guaranteed by characterization    |
| $T_{HIBERNATE}$ | Wakeup from Hibernate mode  | –   | –   | 2   | ms            | Guaranteed by characterization                |
| $T_{STOP}$      | Wakeup from Stop mode       | –   | –   | 2   | ms            | XRES wakeup                                   |

**GPIO**
**Table 11. GPIO DC Specifications**

| Parameter       | Description   | Min                  | Typ | Max                 | Units         | Details/Conditions                                   |
|-----------------|---|----------------------|-----|---------------------|---------------|--|
| $V_{IH}^{[7]}$  | Input voltage HIGH threshold                        | $0.7 \times V_{DD}$  | –   | –                   | V             | CMOS input   |
|                 | LVTTL input, $V_{DD} < 2.7\text{ V}$                | $0.7 \times V_{DD}$  | –   | –                   | V             | –  |
|                 | LVTTL input, $V_{DD} \geq 2.7\text{ V}$             | 2.0                  | –   | –                   | V             | –  |
| $V_{IL}$        | Input voltage LOW threshold                         | –                    | –   | $0.3 \times V_{DD}$ | V             | CMOS input   |
|                 | LVTTL input, $V_{DD} < 2.7\text{ V}$                | –                    | –   | $0.3 \times V_{DD}$ | V             | –  |
|                 | LVTTL input, $V_{DD} \geq 2.7\text{ V}$             | –                    | –   | 0.8                 | V             | –  |
| $V_{OH}$        | Output voltage HIGH level                           | $V_{DD} - 0.6$       | –   | –                   | V             | $I_{OH} = 4\text{ mA}$ at 3.3-V $V_{DD}$             |
|                 | Output voltage HIGH level                           | $V_{DD} - 0.5$       | –   | –                   | V             | $I_{OH} = 1\text{ mA}$ at 1.8-V $V_{DD}$             |
| $V_{OL}$        | Output voltage LOW level                            | –                    | –   | 0.6                 | V             | $I_{OL} = 8\text{ mA}$ at 3.3-V $V_{DD}$             |
|                 | Output voltage LOW level                            | –                    | –   | 0.6                 | V             | $I_{OL} = 4\text{ mA}$ at 1.8-V $V_{DD}$             |
|                 | Output voltage LOW level                            | –                    | –   | 0.4                 | V             | $I_{OL} = 3\text{ mA}$ at 3.3-V $V_{DD}$             |
| $R_{PULLUP}$    | Pull-up resistor                                    | 3.5                  | 5.6 | 8.5                 | $k\Omega$     | –  |
| $R_{PULLDOWN}$  | Pull-down resistor                                  | 3.5                  | 5.6 | 8.5                 | $k\Omega$     | –  |
| $I_{IL}$        | Input leakage current (absolute value)              | –                    | –   | 2                   | nA            | $25\text{ }^\circ\text{C}$ , $V_{DD} = 3.3\text{ V}$ |
| $I_{IL\_CTBM}$  | Input leakage on CTBm input pins                    | –                    | –   | 4                   | nA            | –  |
| $C_{IN}$        | Input capacitance                                   | –                    | –   | 7                   | pF            | –  |
| $V_{HYSTTL}$    | Input hysteresis LVTTL                              | 25                   | 40  | –                   | mV            | $V_{DD} > 2.7\text{ V}$                              |
| $V_{HYSMOS}$    | Input hysteresis CMOS                               | $0.05 \times V_{DD}$ | –   | –                   | 1             | –  |
| $I_{DIODE}$     | Current through protection diode to $V_{DD}/V_{SS}$ | –                    | –   | 100                 | $\mu\text{A}$ | –  |
| $I_{TOT\_GPIO}$ | Maximum total source or sink chip current           | –                    | –   | 200                 | mA            | –  |

**Note**

 7.  $V_{IH}$  must not exceed  $V_{DD} + 0.2\text{ V}$ .



**Table 12. GPIO AC Specifications**

| Parameter     | Description   | Min | Typ | Max  | Units | Details/Conditions                   |
|---------------|---|-----|-----|------|-------|--------------------------------------|
| $T_{RISEF}$   | Rise time in Fast-Strong mode   | 2   | –   | 12   | ns    | 3.3-V $V_{DD}$ , $C_{LOAD} = 25$ pF  |
| $T_{FALLF}$   | Fall time in Fast-Strong mode   | 2   | –   | 12   | ns    | 3.3-V $V_{DD}$ , $C_{LOAD} = 25$ pF  |
| $T_{RISES}$   | Rise time in Slow-Strong mode   | 10  | –   | 60   | ns    | 3.3-V $V_{DD}$ , $C_{LOAD} = 25$ pF  |
| $T_{FALLS}$   | Fall time in Slow-Strong mode   | 10  | –   | 60   | ns    | 3.3-V $V_{DD}$ , $C_{LOAD} = 25$ pF  |
| $F_{GPIOUT1}$ | GPIO $F_{OUT}$ ; $3.3\text{ V} \leq V_{DD} \leq 5.5\text{ V}$<br>Fast-Strong mode | –   | –   | 33   | MHz   | 90/10%, 25-pF load, 60/40 duty cycle |
| $F_{GPIOUT2}$ | GPIO $F_{OUT}$ ; $1.7\text{ V} \leq V_{DD} \leq 3.3\text{ V}$<br>Fast-Strong mode | –   | –   | 16.7 | MHz   | 90/10%, 25-pF load, 60/40 duty cycle |
| $F_{GPIOUT3}$ | GPIO $F_{OUT}$ ; $3.3\text{ V} \leq V_{DD} \leq 5.5\text{ V}$<br>Slow-Strong mode | –   | –   | 7    | MHz   | 90/10%, 25-pF load, 60/40 duty cycle |
| $F_{GPIOUT4}$ | GPIO $F_{OUT}$ ; $1.7\text{ V} \leq V_{DD} \leq 3.3\text{ V}$<br>Slow-Strong mode | –   | –   | 3.5  | MHz   | 90/10%, 25-pF load, 60/40 duty cycle |
| $F_{GPIOIN}$  | GPIO input operating frequency<br>$1.71\text{ V} \leq V_{DD} \leq 5.5\text{ V}$   | –   | –   | 48   | MHz   | 90/10% $V_{IO}$                      |

**Table 13. OVT GPIO DC Specifications (P5\_0 and P5\_1 Only)**

| Parameter | Description  | Min | Typ | Max | Units         | Details/Conditions                                    |
|-----------|--|-----|-----|-----|---------------|---|
| $I_{IL}$  | Input leakage (absolute value).<br>$V_{IH} > V_{DD}$ | –   | –   | 10  | $\mu\text{A}$ | 25°C, $V_{DD} = 0\text{ V}$ , $V_{IH} = 3.0\text{ V}$ |
| $V_{OL}$  | Output voltage LOW level                             | –   | –   | 0.4 | V             | $I_{OL} = 20\text{ mA}$ , $V_{DD} > 2.9\text{ V}$     |

**Table 14. OVT GPIO AC Specifications (P5\_0 and P5\_1 Only)**

| Parameter        | Description  | Min | Typ | Max | Units | Details/Conditions                           |
|------------------|--|-----|-----|-----|-------|--|
| $T_{RISE\_OVFS}$ | Output rise time in Fast-Strong mode   | 1.5 | –   | 12  | ns    | 25-pF load, 10%–90%, $V_{DD} = 3.3\text{ V}$ |
| $T_{FALL\_OVFS}$ | Output fall time in Fast-Strong mode   | 1.5 | –   | 12  | ns    | 25-pF load, 10%–90%, $V_{DD} = 3.3\text{ V}$ |
| $T_{RISESS}$     | Output rise time in Slow-Strong mode   | 10  | –   | 60  | ns    | 25-pF load, 10%–90%, $V_{DD} = 3.3\text{ V}$ |
| $T_{FALLSS}$     | Output fall time in Slow-Strong mode   | 10  | –   | 60  | ns    | 25-pF load, 10%–90%, $V_{DD} = 3.3\text{ V}$ |
| $F_{GPIOUT1}$    | GPIO $F_{OUT}$ ; $3.3\text{ V} \leq V_{DD} \leq 5.5\text{ V}$<br>Fast-Strong mode  | –   | –   | 24  | MHz   | 90/10%, 25-pF load, 60/40 duty cycle         |
| $F_{GPIOUT2}$    | GPIO $F_{OUT}$ ; $1.71\text{ V} \leq V_{DD} \leq 3.3\text{ V}$<br>Fast-Strong mode | –   | –   | 16  | MHz   | 90/10%, 25-pF load, 60/40 duty cycle         |

## XRES

**Table 15. XRES DC Specifications**

| Parameter     | Description  | Min                 | Typ | Max                 | Units         | Details/Conditions |
|---------------|--|---------------------|-----|---------------------|---------------|--------------------|
| $V_{IH}$      | Input voltage HIGH threshold                           | $0.7 \times V_{DD}$ | –   | –                   | V             | CMOS input         |
| $V_{IL}$      | Input voltage LOW threshold                            | –                   | –   | $0.3 \times V_{DD}$ | V             | CMOS input         |
| $R_{PULLUP}$  | Pull-up resistor                                       | 3.5                 | 5.6 | 8.5                 | k $\Omega$    | –                  |
| $C_{IN}$      | Input capacitance                                      | –                   | 3   | –                   | pF            | –                  |
| $V_{HYSXRES}$ | Input voltage hysteresis                               | –                   | 100 | –                   | mV            | –                  |
| $I_{DIODE}$   | Current through protection diode to<br>$V_{DD}/V_{SS}$ | –                   | –   | 100                 | $\mu\text{A}$ | –                  |

**Table 16. XRES AC Specifications**

| Parameter        | Description       | Min | Typ | Max | Units         | Details/Conditions |
|------------------|-------------------|-----|-----|-----|---------------|--------------------|
| $T_{RESETWIDTH}$ | Reset pulse width | 1   | –   | –   | $\mu\text{s}$ | –                  |

*Temperature Sensor*
**Table 17. Temperature Sensor Specifications**

| Parameter            | Description                 | Min | Typ | Max | Units | Details/Conditions |
|----------------------|-----------------------------|-----|-----|-----|-------|--------------------|
| T <sub>SENSACC</sub> | Temperature-sensor accuracy | -5  | ±1  | 5   | °C    | -40 °C to +85 °C   |

*SAR ADC*
**Table 18. SAR ADC DC Specifications**

| Parameter           | Description                        | Min             | Typ | Max              | Units | Details/Conditions                             |
|---------------------|------------------------------------|-----------------|-----|------------------|-------|--|
| A_RES               | Resolution                         | -               | -   | 12               | bits  |  |
| A_CHNIS_S           | Number of channels - single-ended  | -               | -   | 8                |       | 8 full-speed <sup>[8]</sup>                    |
| A-CHNKS_D           | Number of channels - differential  | -               | -   | 4                |       | Diff inputs use neighboring I/O <sup>[8]</sup> |
| A-MONO              | Monotonicity                       | -               | -   | -                |       | Yes  |
| A_GAINERR           | Gain error                         | -               | -   | ±0.1             | %     | With external reference                        |
| A_OFFSET            | Input offset voltage               | -               | -   | 2                | mV    | Measured with 1-V V <sub>REF</sub>             |
| A_ISAR              | Current consumption                | -               | -   | 1                | mA    |  |
| A_VINS              | Input voltage range - single-ended | V <sub>SS</sub> | -   | V <sub>DDA</sub> | V     |  |
| A_VIND              | Input voltage range - differential | V <sub>SS</sub> | -   | V <sub>DDA</sub> | V     |  |
| A_INRES             | Input resistance                   | -               | -   | 2.2              | kΩ    |  |
| A_INCAP             | Input capacitance                  | -               | -   | 10               | pF    |  |
| V <sub>REFSAR</sub> | Trimmed internal reference to SAR  | -1              | -   | 1                | %     | Percentage of V <sub>bg</sub> (1.024 V)        |

**Table 19. SAR ADC AC Specifications**

| Parameter              | Description  | Min  | Typ | Max      | Units | Details/Conditions                           |
|------------------------|--|------|-----|----------|-------|--|
| A_PSR                  | Power-supply rejection ratio   | 70   | -   | -        | dB    | Measured at 1-V reference                    |
| A_CMRR                 | Common-mode rejection ratio  | 66   | -   | -        | dB    |  |
| A_SAMP                 | Sample rate  | -    | -   | 1        | MSPS  |  |
| F <sub>sarintref</sub> | SAR operating speed without external ref. bypass                     | -    | -   | 100      | KSPS  | 12-bit resolution                            |
| A_SNR                  | Signal-to-noise ratio (SNR)  | 65   | -   | -        | dB    | F <sub>IN</sub> = 10 kHz                     |
| A_BW                   | Input bandwidth without aliasing                                     | -    | -   | A_SAMP/2 | kHz   |  |
| A_INL                  | Integral nonlinearity. V <sub>DD</sub> = 1.71 V to 5.5 V, 1 Msps     | -1.7 | -   | 2        | LSB   | V <sub>REF</sub> = 1 V to V <sub>DD</sub>    |
| A_INL                  | Integral nonlinearity. V <sub>DDD</sub> = 1.71 V to 3.6 V, 1 Msps    | -1.5 | -   | 1.7      | LSB   | V <sub>REF</sub> = 1.71 V to V <sub>DD</sub> |
| A_INL                  | Integral nonlinearity. V <sub>DD</sub> = 1.71 V to 5.5 V, 500 kSPS   | -1.5 | -   | 1.7      | LSB   | V <sub>REF</sub> = 1 V to V <sub>DD</sub>    |
| A_dnl                  | Differential nonlinearity. V <sub>DD</sub> = 1.71 V to 5.5 V, 1 Msps | -1   | -   | 2.2      | LSB   | V <sub>REF</sub> = 1 V to V <sub>DD</sub>    |
| A_DNL                  | Differential nonlinearity. V <sub>DD</sub> = 1.71 V to 3.6 V, 1 Msps | -1   | -   | 2        | LSB   | V <sub>REF</sub> = 1.71 V to V <sub>DD</sub> |

**Note**

8. A maximum of eight single-ended ADC Channels can be accomplished only if the AMUX Buses are not being used for other functionality (e.g. CapSense). If the AMUX Buses are being used for other functions, then the maximum number of single-ended ADC channels is six. Similarly, if the AMUX Buses are being used for other functionality, then the maximum number of differential ADC channels is three.

**Table 19. SAR ADC AC Specifications (continued)**

| Parameter | Description  | Min | Typ | Max | Units | Details/Conditions                 |
|-----------|--|-----|-----|-----|-------|------------------------------------|
| A_DNL     | Differential nonlinearity. $V_{DD} = 1.71\text{ V}$ to $5.5\text{ V}$ , 500 ksps | -1  | -   | 2.2 | LSB   | $V_{REF} = 1\text{ V}$ to $V_{DD}$ |
| A_THD     | Total harmonic distortion  | -   | -   | -65 | dB    | $F_{IN} = 10\text{ kHz}$           |

CSD

**CSD Block Specifications**

| Parameter        | Description                                    | Min  | Typ | Max | Units         | Details/Conditions   |
|------------------|--|------|-----|-----|---------------|--|
| $V_{CSD}$        | Voltage range of operation                     | 1.71 | -   | 5.5 | V             | -  |
| IDAC1            | DNL for 8-bit resolution                       | -1   | -   | 1   | LSB           | -  |
| IDAC1            | INL for 8-bit resolution                       | -3   | -   | 3   | LSB           | -  |
| IDAC2            | DNL for 7-bit resolution                       | -1   | -   | 1   | LSB           | -  |
| IDAC2            | INL for 7-bit resolution                       | -3   | -   | 3   | LSB           | -  |
| SNR              | Ratio of counts of finger to noise             | 5    | -   | -   | Ratio         | Capacitance range of 9 pF to 35 pF, 0.1-pF sensitivity. Radio is not operating during the scan |
| $I_{DAC1\_CRT1}$ | Output current of IDAC1 (8 bits) in High range | -    | 612 | -   | $\mu\text{A}$ | -  |
| $I_{DAC1\_CRT2}$ | Output current of IDAC1 (8 bits) in Low range  | -    | 306 | -   | $\mu\text{A}$ | -  |
| $I_{DAC2\_CRT1}$ | Output current of IDAC2 (7 bits) in High range | -    | 305 | -   | $\mu\text{A}$ | -  |
| $I_{DAC2\_CRT2}$ | Output current of IDAC2 (7 bits) in Low range  | -    | 153 | -   | $\mu\text{A}$ | -  |

## Digital Peripherals

### Timer

**Table 20. Timer DC Specifications**

| Parameter  | Description                         | Min | Typ | Max | Units         | Details/Conditions |
|------------|-------------------------------------|-----|-----|-----|---------------|--------------------|
| $I_{TIM1}$ | Block current consumption at 3 MHz  | –   | –   | 42  | $\mu\text{A}$ | 16-bit timer       |
| $I_{TIM2}$ | Block current consumption at 12 MHz | –   | –   | 130 | $\mu\text{A}$ | 16-bit timer       |
| $I_{TIM3}$ | Block current consumption at 48 MHz | –   | –   | 535 | $\mu\text{A}$ | 16-bit timer       |

**Table 21. Timer AC Specifications**

| Parameter        | Description                    | Min                | Typ | Max | Units | Details/Conditions |
|------------------|--------------------------------|--------------------|-----|-----|-------|--------------------|
| $T_{TIMFREQ}$    | Operating frequency            | $F_{CLK}$          | –   | 48  | MHz   |                    |
| $T_{CAPWINT}$    | Capture pulse width (internal) | $2 \times T_{CLK}$ | –   | –   | ns    |                    |
| $T_{CAPWEXT}$    | Capture pulse width (external) | $2 \times T_{CLK}$ | –   | –   | ns    |                    |
| $T_{TIMRES}$     | Timer resolution               | $T_{CLK}$          | –   | –   | ns    |                    |
| $T_{TENWIDINT}$  | Enable pulse width (internal)  | $2 \times T_{CLK}$ | –   | –   | ns    |                    |
| $T_{TENWIDEXT}$  | Enable pulse width (external)  | $2 \times T_{CLK}$ | –   | –   | ns    |                    |
| $T_{TIMRESWINT}$ | Reset pulse width (internal)   | $2 \times T_{CLK}$ | –   | –   | ns    |                    |
| $T_{TIMRESEXT}$  | Reset pulse width (external)   | $2 \times T_{CLK}$ | –   | –   | ns    |                    |

### Counter

**Table 22. Counter DC Specifications**

| Parameter  | Description                         | Min | Typ | Max | Units         | Details/Conditions |
|------------|-------------------------------------|-----|-----|-----|---------------|--------------------|
| $I_{CTR1}$ | Block current consumption at 3 MHz  | –   | –   | 42  | $\mu\text{A}$ | 16-bit counter     |
| $I_{CTR2}$ | Block current consumption at 12 MHz | –   | –   | 130 | $\mu\text{A}$ | 16-bit counter     |
| $I_{CTR3}$ | Block current consumption at 48 MHz | –   | –   | 535 | $\mu\text{A}$ | 16-bit counter     |

**Table 23. Counter AC Specifications**

| Parameter        | Description                    | Min                | Typ | Max | Units | Details/Conditions |
|------------------|--------------------------------|--------------------|-----|-----|-------|--------------------|
| $T_{CTRFREQ}$    | Operating frequency            | $F_{CLK}$          | –   | 48  | MHz   | –                  |
| $T_{CTRPWINT}$   | Capture pulse width (internal) | $2 \times T_{CLK}$ | –   | –   | ns    | –                  |
| $T_{CTRPWEXT}$   | Capture pulse width (external) | $2 \times T_{CLK}$ | –   | –   | ns    | –                  |
| $T_{CTRES}$      | Counter Resolution             | $T_{CLK}$          | –   | –   | ns    | –                  |
| $T_{CENWIDINT}$  | Enable pulse width (internal)  | $2 \times T_{CLK}$ | –   | –   | ns    | –                  |
| $T_{CENWIDEXT}$  | Enable pulse width (external)  | $2 \times T_{CLK}$ | –   | –   | ns    | –                  |
| $T_{CTRRESWINT}$ | Reset pulse width (internal)   | $2 \times T_{CLK}$ | –   | –   | ns    | –                  |
| $T_{CTRRESWEXT}$ | Reset pulse width (external)   | $2 \times T_{CLK}$ | –   | –   | ns    | –                  |

*Pulse Width Modulation (PWM)*
**Table 24. PWM DC Specifications**

| Parameter  | Description                         | Min | Typ | Max | Units         | Details/Conditions |
|------------|-------------------------------------|-----|-----|-----|---------------|--------------------|
| $I_{PWM1}$ | Block current consumption at 3 MHz  | –   | –   | 42  | $\mu\text{A}$ | 16-bit PWM         |
| $I_{PWM2}$ | Block current consumption at 12 MHz | –   | –   | 130 | $\mu\text{A}$ | 16-bit PWM         |
| $I_{PWM3}$ | Block current consumption at 48 MHz | –   | –   | 535 | $\mu\text{A}$ | 16-bit PWM         |

**Table 25. PWM AC Specifications**

| Parameter         | Description                   | Min                | Typ | Max | Units | Details/Conditions |
|-------------------|-------------------------------|--------------------|-----|-----|-------|--------------------|
| $T_{PWMFREQ}$     | Operating frequency           | $F_{CLK}$          | –   | 48  | MHz   | –                  |
| $T_{PWM PWINT}$   | Pulse width (internal)        | $2 \times T_{CLK}$ | –   | –   | ns    | –                  |
| $T_{PWM EXT}$     | Pulse width (external)        | $2 \times T_{CLK}$ | –   | –   | ns    | –                  |
| $T_{PWM KILLINT}$ | Kill pulse width (internal)   | $2 \times T_{CLK}$ | –   | –   | ns    | –                  |
| $T_{PWM KILLEXT}$ | Kill pulse width (external)   | $2 \times T_{CLK}$ | –   | –   | ns    | –                  |
| $T_{PWM EINT}$    | Enable pulse width (internal) | $2 \times T_{CLK}$ | –   | –   | ns    | –                  |
| $T_{PWM ENEXT}$   | Enable pulse width (external) | $2 \times T_{CLK}$ | –   | –   | ns    | –                  |
| $T_{PWM RESWINT}$ | Reset pulse width (internal)  | $2 \times T_{CLK}$ | –   | –   | ns    | –                  |
| $T_{PWM RESWEXT}$ | Reset pulse width (external)  | $2 \times T_{CLK}$ | –   | –   | ns    | –                  |

*LCD Direct Drive*
**Table 26. LCD Direct Drive DC Specifications**

| Parameter      | Description   | Min | Typ  | Max  | Units         | Details/Conditions                    |
|----------------|---|-----|------|------|---------------|---------------------------------------|
| $I_{LCDLOW}$   | Operating current in low-power mode                     | –   | 17.5 | –    | $\mu\text{A}$ | 16 x 4 small segment display at 50 Hz |
| $C_{LCDCAP}$   | LCD capacitance per segment/common driver               | –   | 500  | 5000 | pF            | –                                     |
| $LCD_{OFFSET}$ | Long-term segment offset                                | –   | 20   | –    | mV            | –                                     |
| $I_{LCDOP1}$   | LCD system operating current, $V_{BIAS} = 5\text{ V}$   | –   | 2    | –    | mA            | 32 x 4 segments. 50 Hz at 25 °C       |
| $I_{LCDOP2}$   | LCD system operating current, $V_{BIAS} = 3.3\text{ V}$ | –   | 2    | –    | mA            | 32 x 4 segments 50 Hz at 25 °C        |

**Table 27. LCD Direct Drive AC Specifications**

| Parameter | Description    | Min | Typ | Max | Units | Details/Conditions |
|-----------|----------------|-----|-----|-----|-------|--------------------|
| $F_{LCD}$ | LCD frame rate | 10  | 50  | 150 | Hz    | –                  |

## Serial Communication

**Table 28. Fixed I<sup>2</sup>C DC Specifications**

| Parameter         | Description                                 | Min | Typ | Max | Units | Details/Conditions |
|-------------------|---|-----|-----|-----|-------|--------------------|
| I <sub>I2C1</sub> | Block current consumption at 100 kHz        | –   | –   | 50  | μA    | –                  |
| I <sub>I2C2</sub> | Block current consumption at 400 kHz        | –   | –   | 155 | μA    | –                  |
| I <sub>I2C3</sub> | Block current consumption at 1 Mbps         | –   | –   | 390 | μA    | –                  |
| I <sub>I2C4</sub> | I <sup>2</sup> C enabled in Deep-Sleep mode | –   | –   | 1.4 | μA    | –                  |

**Table 29. Fixed I<sup>2</sup>C AC Specifications**

| Parameter         | Description | Min | Typ | Max | Units | Details/Conditions |
|-------------------|-------------|-----|-----|-----|-------|--------------------|
| F <sub>I2C1</sub> | Bit rate    | –   | –   | 400 | kHz   | –                  |

**Table 30. Fixed UART DC Specifications**

| Parameter          | Description                            | Min | Typ | Max | Units | Details/Conditions |
|--------------------|--|-----|-----|-----|-------|--------------------|
| I <sub>UART1</sub> | Block current consumption at 100 kbps  | –   | –   | 55  | μA    | –                  |
| I <sub>UART2</sub> | Block current consumption at 1000 kbps | –   | –   | 312 | μA    | –                  |

**Table 31. Fixed UART AC Specifications**

| Parameter         | Description | Min | Typ | Max | Units | Details/Conditions |
|-------------------|-------------|-----|-----|-----|-------|--------------------|
| F <sub>UART</sub> | Bit rate    | –   | –   | 1   | Mbps  | –                  |

**Table 32. Fixed SPI DC Specifications**

| Parameter         | Description                         | Min | Typ | Max | Units | Details/Conditions |
|-------------------|-------------------------------------|-----|-----|-----|-------|--------------------|
| I <sub>SPI1</sub> | Block current consumption at 1 Mbps | –   | –   | 360 | μA    | –                  |
| I <sub>SPI2</sub> | Block current consumption at 4 Mbps | –   | –   | 560 | μA    | –                  |
| I <sub>SPI3</sub> | Block current consumption at 8 Mbps | –   | –   | 600 | μA    | –                  |

**Table 33. Fixed SPI AC Specifications**

| Parameter        | Description  | Min | Typ | Max | Units | Details/Conditions |
|------------------|--|-----|-----|-----|-------|--------------------|
| F <sub>SPI</sub> | SPI operating frequency (master; 6x over sampling) | –   | –   | 8   | MHz   | –                  |

**Table 34. Fixed SPI Master Mode AC Specifications**

| Parameter        | Description  | Min | Typ | Max | Units | Details/Conditions               |
|------------------|--|-----|-----|-----|-------|----------------------------------|
| T <sub>DMO</sub> | MOSI valid after SCLK driving edge   | –   | –   | 18  | ns    | –                                |
| T <sub>DSI</sub> | MISO valid before SCLK capturing edge<br>Full clock, late MISO sampling used | 20  | –   | –   | ns    | Full clock, late MISO sampling   |
| T <sub>HMO</sub> | Previous MOSI data hold time   | 0   | –   | –   | ns    | Referred to Slave capturing edge |

**Table 35. Fixed SPI Slave Mode AC Specifications**

| Parameter                       | Description  | Min | Typ | Max                       | Units | Details/Conditions |
|---------------------------------|--|-----|-----|---------------------------|-------|--------------------|
| T <sub>DMI</sub>                | MOSI valid before SCLK capturing edge  | 40  | –   | –                         | ns    | –                  |
| T <sub>DSO</sub>                | MISO valid after SCLK driving edge   | –   | –   | 42 + 3 × T <sub>CPU</sub> | ns    | –                  |
| T <sub>D<sub>SO</sub>_ext</sub> | MISO Valid after SCLK driving edge in external clock mode. V <sub>DD</sub> < 3.0 V | –   | –   | 50                        | ns    | –                  |
| T <sub>H<sub>SO</sub></sub>     | Previous MISO data hold time   | 0   | –   | –                         | ns    | –                  |
| T <sub>SSEL<sub>SCK</sub></sub> | SSEL valid to first SCK valid edge   | 100 | –   | –                         | ns    | –                  |

## Memory

**Table 36. Flash DC Specifications**

| Parameter         | Description                        | Min  | Typ | Max | Units | Details/Conditions       |
|-------------------|------------------------------------|------|-----|-----|-------|--------------------------|
| V <sub>PE</sub>   | Erase and program voltage          | 1.71 | –   | 5.5 | V     | –                        |
| T <sub>WS48</sub> | Number of Wait states at 32–48 MHz | 2    | –   | –   |       | CPU execution from flash |
| T <sub>WS32</sub> | Number of Wait states at 16–32 MHz | 1    | –   | –   |       | CPU execution from flash |
| T <sub>WS16</sub> | Number of Wait states for 0–16 MHz | 0    | –   | –   |       | CPU execution from flash |

**Table 37. Flash AC Specifications**

| Parameter                              | Description   | Min   | Typ | Max | Units   | Details/Conditions      |
|--|---|-------|-----|-----|---------|-------------------------|
| T <sub>ROWWRITE</sub> <sup>[9]</sup>   | Row (block) write time (erase and program)                | –     | –   | 20  | ms      | Row (block) = 256 bytes |
| T <sub>ROWERASE</sub> <sup>[9]</sup>   | Row erase time  | –     | –   | 13  | ms      | –                       |
| T <sub>ROWPROGRAM</sub> <sup>[9]</sup> | Row program time after erase                              | –     | –   | 7   | ms      | –                       |
| T <sub>BULKERASE</sub> <sup>[9]</sup>  | Bulk erase time (256 KB)                                  | –     | –   | 35  | ms      | –                       |
| T <sub>DEVPROG</sub> <sup>[9]</sup>    | Total device program time                                 | –     | –   | 25  | seconds | –                       |
| F <sub>END</sub>                       | Flash endurance   | 100 K | –   | –   | cycles  | –                       |
| F <sub>RET</sub>                       | Flash retention. T <sub>A</sub> ≤ 55 °C, 100 K P/E cycles | 20    | –   | –   | years   | –                       |
| F <sub>RET2</sub>                      | Flash retention. T <sub>A</sub> ≤ 85 °C, 10 K P/E cycles  | 10    | –   | –   | years   | –                       |

## System Resources

### Power-on-Reset (POR)

**Table 38. POR DC Specifications**

| Parameter             | Description          | Min  | Typ | Max  | Units | Details/Conditions |
|-----------------------|----------------------|------|-----|------|-------|--------------------|
| V <sub>RISEIPOR</sub> | Rising trip voltage  | 0.80 | –   | 1.45 | V     | –                  |
| V <sub>FALLIPOR</sub> | Falling trip voltage | 0.75 | –   | 1.40 | V     | –                  |
| V <sub>IPORHYST</sub> | Hysteresis           | 15   | –   | 200  | mV    | –                  |

**Table 39. POR AC Specifications**

| Parameter            | Description   | Min | Typ | Max | Units | Details/Conditions |
|----------------------|---|-----|-----|-----|-------|--------------------|
| T <sub>PPOR_TR</sub> | Precision power-on reset (PPOR) response time in Active and Sleep modes | –   | –   | 1   | µs    | –                  |

**Table 40. Brown-Out Detect**

| Parameter              | Description                                | Min  | Typ | Max | Units | Details/Conditions |
|------------------------|--|------|-----|-----|-------|--------------------|
| V <sub>FALLPPOR</sub>  | BOD trip voltage in Active and Sleep modes | 1.64 | –   | –   | V     | –                  |
| V <sub>FALLDPSLP</sub> | BOD trip voltage in Deep Sleep             | 1.4  | –   | –   | V     | –                  |

**Table 41. Hibernate Reset**

| Parameter            | Description                   | Min | Typ | Max | Units | Details/Conditions |
|----------------------|-------------------------------|-----|-----|-----|-------|--------------------|
| V <sub>HBRTRIP</sub> | BOD trip voltage in Hibernate | 1.1 | –   | –   | V     | –                  |

### Note

- It can take as much as 20 ms to write to flash. During this time, the device should not be reset, or flash operations will be interrupted and cannot be relied on to have completed. Reset sources include the XRES pin, software resets, CPU lockup states and privilege violations, improper power supply levels, and watchdogs. Make certain that these are not inadvertently activated.

*Voltage Monitors (LVD)*
**Table 42. Voltage Monitor DC Specifications**

| Parameter          | Description              | Min  | Typ  | Max  | Units | Details/Conditions |
|--------------------|--------------------------|------|------|------|-------|--------------------|
| V <sub>LVI1</sub>  | LVI_A/D_SEL[3:0] = 0000b | 1.71 | 1.75 | 1.79 | V     | –                  |
| V <sub>LVI2</sub>  | LVI_A/D_SEL[3:0] = 0001b | 1.76 | 1.80 | 1.85 | V     | –                  |
| V <sub>LVI3</sub>  | LVI_A/D_SEL[3:0] = 0010b | 1.85 | 1.90 | 1.95 | V     | –                  |
| V <sub>LVI4</sub>  | LVI_A/D_SEL[3:0] = 0011b | 1.95 | 2.00 | 2.05 | V     | –                  |
| V <sub>LVI5</sub>  | LVI_A/D_SEL[3:0] = 0100b | 2.05 | 2.10 | 2.15 | V     | –                  |
| V <sub>LVI6</sub>  | LVI_A/D_SEL[3:0] = 0101b | 2.15 | 2.20 | 2.26 | V     | –                  |
| V <sub>LVI7</sub>  | LVI_A/D_SEL[3:0] = 0110b | 2.24 | 2.30 | 2.36 | V     | –                  |
| V <sub>LVI8</sub>  | LVI_A/D_SEL[3:0] = 0111b | 2.34 | 2.40 | 2.46 | V     | –                  |
| V <sub>LVI9</sub>  | LVI_A/D_SEL[3:0] = 1000b | 2.44 | 2.50 | 2.56 | V     | –                  |
| V <sub>LVI10</sub> | LVI_A/D_SEL[3:0] = 1001b | 2.54 | 2.60 | 2.67 | V     | –                  |
| V <sub>LVI11</sub> | LVI_A/D_SEL[3:0] = 1010b | 2.63 | 2.70 | 2.77 | V     | –                  |
| V <sub>LVI12</sub> | LVI_A/D_SEL[3:0] = 1011b | 2.73 | 2.80 | 2.87 | V     | –                  |
| V <sub>LVI13</sub> | LVI_A/D_SEL[3:0] = 1100b | 2.83 | 2.90 | 2.97 | V     | –                  |
| V <sub>LVI14</sub> | LVI_A/D_SEL[3:0] = 1101b | 2.93 | 3.00 | 3.08 | V     | –                  |
| V <sub>LVI15</sub> | LVI_A/D_SEL[3:0] = 1110b | 3.12 | 3.20 | 3.28 | V     | –                  |
| V <sub>LVI16</sub> | LVI_A/D_SEL[3:0] = 1111b | 4.39 | 4.50 | 4.61 | V     | –                  |
| LVI_IDD            | Block current            | –    | –    | 100  | μA    | –                  |

**Table 43. Voltage Monitor AC Specifications**

| Parameter            | Description               | Min | Typ | Max | Units | Details/Conditions |
|----------------------|---------------------------|-----|-----|-----|-------|--------------------|
| T <sub>MONTRIP</sub> | Voltage monitor trip time | –   | –   | 1   | μs    | –                  |

*SWD Interface*
**Table 44. SWD Interface Specifications**

| Parameter               | Description                                   | Min      | Typ | Max     | Units | Details/Conditions               |
|-------------------------|---|----------|-----|---------|-------|----------------------------------|
| F <sub>SWDCLK1</sub>    | $3.3\text{ V} \leq V_{DD} \leq 5.5\text{ V}$  | –        | –   | 14      | MHz   | SWDCLK ≤ 1/3 CPU clock frequency |
| F <sub>SWDCLK2</sub>    | $1.71\text{ V} \leq V_{DD} \leq 3.3\text{ V}$ | –        | –   | 7       | MHz   | SWDCLK ≤ 1/3 CPU clock frequency |
| T <sub>SWDI_SETUP</sub> | T = 1/f SWDCLK                                | 0.25 × T | –   | –       | ns    | –                                |
| T <sub>SWDI_HOLD</sub>  | T = 1/f SWDCLK                                | 0.25 × T | –   | –       | ns    | –                                |
| T <sub>SWDO_VALID</sub> | T = 1/f SWDCLK                                | –        | –   | 0.5 × T | ns    | –                                |
| T <sub>SWDO_HOLD</sub>  | T = 1/f SWDCLK                                | 1        | –   | –       | ns    | –                                |



Internal Main Oscillator

Table 45. IMO DC Specifications

| Parameter         | Description                     | Min | Typ | Max  | Units | Details/Conditions |
|-------------------|---------------------------------|-----|-----|------|-------|--------------------|
| I <sub>IMO1</sub> | IMO operating current at 48 MHz | –   | –   | 1000 | μA    | –                  |
| I <sub>IMO2</sub> | IMO operating current at 24 MHz | –   | –   | 325  | μA    | –                  |
| I <sub>IMO3</sub> | IMO operating current at 12 MHz | –   | –   | 225  | μA    | –                  |
| I <sub>IMO4</sub> | IMO operating current at 6 MHz  | –   | –   | 180  | μA    | –                  |
| I <sub>IMO5</sub> | IMO operating current at 3 MHz  | –   | –   | 150  | μA    | –                  |

Table 46. IMO AC Specifications

| Parameter            | Description                          | Min | Typ | Max | Units | Details/Conditions          |
|----------------------|--------------------------------------|-----|-----|-----|-------|-----------------------------|
| F <sub>IMOTOL3</sub> | Frequency variation from 3 to 48 MHz | –   | –   | ±2  | %     | With API-called calibration |
| F <sub>IMOTOL3</sub> | IMO startup time                     | –   | 12  | –   | μs    | –                           |

Internal Low-Speed Oscillator

Table 47. ILO DC Specifications

| Parameter         | Description                     | Min | Typ | Max  | Units | Details/Conditions |
|-------------------|---------------------------------|-----|-----|------|-------|--------------------|
| I <sub>ILO2</sub> | ILO operating current at 32 kHz | –   | 0.3 | 1.05 | μA    | –                  |

Table 48. ILO AC Specifications

| Parameter              | Description              | Min | Typ | Max | Units | Details/Conditions |
|------------------------|--------------------------|-----|-----|-----|-------|--------------------|
| T <sub>STARTILO1</sub> | ILO startup time         | –   | –   | 2   | ms    | –                  |
| F <sub>ILOTRIM1</sub>  | 32-kHz trimmed frequency | 15  | 32  | 50  | kHz   | –                  |

Table 49. Recommended ECO Trim Value

| Parameter           | Description                                | Value      | Details/Conditions   |
|---------------------|--|------------|--|
| ECO <sub>TRIM</sub> | 24-MHz trim value (firmware configuration) | 0x0000BCBC | Recommended trim value that needs to be loaded to register CY_SYS_XTAL_BLERD_BB_XO_CAPTRIM_REG |

BLE Subsystem

Table 50. BLE Subsystem

| Parameter                        | Description  | Min | Typ | Max | Units | Details/Conditions                    |
|----------------------------------|--|-----|-----|-----|-------|---------------------------------------|
| <b>RF Receiver Specification</b> |  |     |     |     |       |                                       |
| RXS, IDLE                        | RX sensitivity with idle transmitter                                   | –   | –89 | –   | dBm   | –                                     |
|                                  | RX sensitivity with idle transmitter excluding Balun loss              | –   | –91 | –   | dBm   | Guaranteed by design simulation       |
| RXS, DIRTY                       | RX sensitivity with dirty transmitter                                  | –   | –87 | –70 | dBm   | RF-PHY Specification (RCV-LE/CA/01/C) |
| RXS, HIGHGAIN                    | RX sensitivity in high-gain mode with idle transmitter                 | –   | –91 | –   | dBm   | –                                     |
| PRXMAX                           | Maximum input power  | –10 | –1  | –   | dBm   | RF-PHY Specification (RCV-LE/CA/06/C) |
| CI1                              | Cochannel interference, Wanted signal at –67 dBm and Interferer at FRX | –   | 9   | 21  | dB    | RF-PHY Specification (RCV-LE/CA/03/C) |

**Table 50. BLE Subsystem** (continued)

| Parameter                            | Description  | Min | Typ | Max | Units | Details/Conditions                                     |
|--------------------------------------|--|-----|-----|-----|-------|--|
| CI2                                  | Adjacent channel interference<br>Wanted signal at -67 dBm and Interferer at FRX ±1 MHz                                   | -   | 3   | 15  | dB    | RF-PHY Specification (RCV-LE/CA/03/C)                  |
| CI3                                  | Adjacent channel interference<br>Wanted signal at -67 dBm and Interferer at FRX ±2 MHz                                   | -   | -29 | -   | dB    | RF-PHY Specification (RCV-LE/CA/03/C)                  |
| CI4                                  | Adjacent channel interference<br>Wanted signal at -67 dBm and Interferer at ≥FRX ±3 MHz                                  | -   | -39 | -   | dB    | RF-PHY Specification (RCV-LE/CA/03/C)                  |
| CI5                                  | Adjacent channel interference<br>Wanted Signal at -67 dBm and Interferer at Image frequency (F <sub>IMAGE</sub> )        | -   | -20 | -   | dB    | RF-PHY Specification (RCV-LE/CA/03/C)                  |
| CI3                                  | Adjacent channel interference<br>Wanted signal at -67 dBm and Interferer at Image frequency (F <sub>IMAGE</sub> ± 1 MHz) | -   | -30 | -   | dB    | RF-PHY Specification (RCV-LE/CA/03/C)                  |
| OBB1                                 | Out-of-band blocking,<br>Wanted signal at -67 dBm and Interferer at F = 30–2000 MHz                                      | -30 | -27 | -   | dBm   | RF-PHY Specification (RCV-LE/CA/04/C)                  |
| OBB2                                 | Out-of-band blocking,<br>Wanted signal at -67 dBm and Interferer at F = 2003–2399 MHz                                    | -35 | -27 | -   | dBm   | RF-PHY Specification (RCV-LE/CA/04/C)                  |
| OBB3                                 | Out-of-band blocking,<br>Wanted signal at -67 dBm and Interferer at F = 2484–2997 MHz                                    | -35 | -27 | -   | dBm   | RF-PHY Specification (RCV-LE/CA/04/C)                  |
| OBB4                                 | Out-of-band blocking,<br>Wanted signal a -67 dBm and Interferer at F = 3000–12750 MHz                                    | -30 | -27 | -   | dBm   | RF-PHY Specification (RCV-LE/CA/04/C)                  |
| IMD                                  | Inter modulation performance<br>Wanted signal at -64 dBm and 1-Mbps BLE, third, fourth, and fifth offset channel         | -50 | -   | -   | dBm   | RF-PHY Specification (RCV-LE/CA/05/C)                  |
| RXSE1                                | Receiver spurious emission<br>30 MHz to 1.0 GHz  | -   | -   | -57 | dBm   | 100-kHz measurement bandwidth<br>ETSI EN300 328 V1.8.1 |
| RXSE2                                | Receiver spurious emission<br>1.0 GHz to 12.75 GHz   | -   | -   | -47 | dBm   | 1-MHz measurement bandwidth<br>ETSI EN300 328 V1.8.1   |
| <b>RF Transmitter Specifications</b> |  |     |     |     |       |  |
| TXP, ACC                             | RF power accuracy  | -   | ±1  | -   | dB    | -  |
| TXP, RANGE                           | RF power control range   | -   | 20  | -   | dB    | -  |
| TXP, 0dBm                            | Output power, 0-dB Gain setting (PA7)  | -   | 0   | -   | dBm   | -  |
| TXP, MAX                             | Output power, maximum power setting (PA10)   | -   | 3   | -   | dBm   | -  |
| TXP, MIN                             | Output power, minimum power setting (PA1)  | -   | -18 | -   | dBm   | -  |
| F2AVG                                | Average frequency deviation for 10101010 pattern   | 185 | -   | -   | kHz   | RF-PHY Specification (TRM-LE/CA/05/C)                  |
| F1AVG                                | Average frequency deviation for 11110000 pattern   | 225 | 250 | 275 | kHz   | RF-PHY Specification (TRM-LE/CA/05/C)                  |

**Table 50. BLE Subsystem (continued)**

| Parameter                        | Description   | Min  | Typ  | Max   | Units              | Details/Conditions   |
|----------------------------------|---|------|------|-------|--------------------|--|
| EO                               | Eye opening = $\Delta F2AVG/\Delta F1AVG$           | 0.8  | –    | –     |                    | RF-PHY Specification (TRM-LE/CA/05/C)  |
| FTX, ACC                         | Frequency accuracy                                  | –150 | –    | 150   | kHz                | RF-PHY Specification (TRM-LE/CA/06/C)  |
| FTX, MAXDR                       | Maximum frequency drift                             | –50  | –    | 50    | kHz                | RF-PHY Specification (TRM-LE/CA/06/C)  |
| FTX, INITDR                      | Initial frequency drift                             | –20  | –    | 20    | kHz                | RF-PHY Specification (TRM-LE/CA/06/C)  |
| FTX, DR                          | Maximum drift rate                                  | –20  | –    | 20    | kHz/<br>50 $\mu$ s | RF-PHY Specification (TRM-LE/CA/06/C)  |
| IBSE1                            | In-band spurious emission at 2-MHz offset           | –    | –    | –20   | dBm                | RF-PHY Specification (TRM-LE/CA/03/C)  |
| IBSE2                            | In-band spurious emission at $\geq 3$ -MHz offset   | –    | –    | –30   | dBm                | RF-PHY Specification (TRM-LE/CA/03/C)  |
| TXSE1                            | Transmitter spurious emissions (average), <1.0 GHz  | –    | –    | –55.5 | dBm                | FCC-15.247   |
| TXSE2                            | Transmitter spurious emissions (average), >1.0 GHz  | –    | –    | –41.5 | dBm                | FCC-15.247   |
| <b>RF Current Specifications</b> |   |      |      |       |                    |  |
| IRX                              | Receive current in normal mode                      | –    | 18.7 | –     | mA                 | –  |
| IRX_RF                           | Radio receive current in normal mode                | –    | 16.4 | –     | mA                 | Measured at $V_{DDR}$  |
| IRX, HIGHGAIN                    | Receive current in high-gain mode                   | –    | 21.5 | –     | mA                 | –  |
| ITX, 3dBm                        | TX current at 3-dBm setting (PA10)                  | –    | 20   | –     | mA                 | –  |
| ITX, 0dBm                        | TX current at 0-dBm setting (PA7)                   | –    | 16.5 | –     | mA                 | –  |
| ITX_RF, 0dBm                     | Radio TX current at 0 dBm setting (PA7)             | –    | 15.6 | –     | mA                 | Measured at $V_{DDR}$  |
| ITX_RF, 0dBm                     | Radio TX current at 0 dBm excluding Balun loss      | –    | 14.2 | –     | mA                 | Guaranteed by design simulation  |
| ITX,-3dBm                        | TX current at –3-dBm setting (PA4)                  | –    | 15.5 | –     | mA                 | –  |
| ITX,-6dBm                        | TX current at –6-dBm setting (PA3)                  | –    | 14.5 | –     | mA                 | –  |
| ITX,-12dBm                       | TX current at –12-dBm setting (PA2)                 | –    | 13.2 | –     | mA                 | –  |
| ITX,-18dBm                       | TX current at –18-dBm setting (PA1)                 | –    | 12.5 | –     | mA                 | –  |
| lavg_1sec, 0dBm                  | Average current at 1-second BLE connection interval | –    | 17.1 | –     | $\mu$ A            | TXP: 0 dBm; $\pm 20$ -ppm master and slave clock accuracy.<br>For empty PDU exchange |
| lavg_4sec, 0dBm                  | Average current at 4-second BLE connection interval | –    | 6.1  | –     | $\mu$ A            | TXP: 0 dBm; $\pm 20$ -ppm master and slave clock accuracy.<br>For empty PDU exchange |
| <b>General RF Specifications</b> |   |      |      |       |                    |  |
| FREQ                             | RF operating frequency                              | 2400 | –    | 2482  | MHz                | –  |
| CHBW                             | Channel spacing                                     | –    | 2    | –     | MHz                | –  |
| DR                               | On-air data rate                                    | –    | 1000 | –     | kbps               | –  |

**Table 50. BLE Subsystem** (continued)

| Parameter                  | Description                         | Min | Typ | Max | Units | Details/Conditions |
|----------------------------|-------------------------------------|-----|-----|-----|-------|--------------------|
| IDLE2TX                    | BLE.IDLE to BLE. TX transition time | –   | 120 | 140 | μs    | –                  |
| IDLE2RX                    | BLE.IDLE to BLE. RX transition time | –   | 75  | 120 | μs    | –                  |
| <b>RSSI Specifications</b> |                                     |     |     |     |       |                    |
| RSSI, ACC                  | RSSI accuracy                       | –   | ±5  | –   | dB    | –                  |
| RSSI, RES                  | RSSI resolution                     | –   | 1   | –   | dB    | –                  |
| RSSI, PER                  | RSSI sample period                  | –   | 6   | –   | μs    | –                  |

## Environmental Specifications

### Environmental Compliance

This Cypress BLE module is built in compliance with the Restriction of Hazardous Substances (RoHS) and Halogen Free (HF) directives. The Cypress module and components used to produce this module are RoHS and HF compliant.

### RF Certification

The CYBLE-212019-00 module will be certified under the following RF certification standards at production release.

- FCC: WAP2011
- CE
- IC: 7922A-2011
- MIC: 203-JN0509
- KC: MSIP-CRM-Cyp-2011

### Safety Certification

The CYBLE-2120XX-X0 module complies with the following regulations:

- Underwriters Laboratories, Inc. (UL) - Filing E331901
- CSA
- TUV

### Environmental Conditions

Table 51 describes the operating and storage conditions for the Cypress BLE module.

**Table 51. Environmental Conditions for CYBLE-2120XX-X0**

| Description   | Minimum Specification | Maximum Specification       |
|---|-----------------------|-----------------------------|
| Operating temperature   | -40 °C                | 85 °C                       |
| Operating humidity (relative, non-condensation)               | 5%                    | 85%                         |
| Thermal ramp rate   | -                     | 3 °C/minute                 |
| Storage temperature   | -40 °C                | 85 °C                       |
| Storage temperature and humidity                              | -                     | 85 °C at 85%                |
| ESD: Module integrated into system Components <sup>[10]</sup> | -                     | 15 kV Air<br>2.2 kV Contact |

### ESD and EMI Protection

Exposed components require special attention to ESD and electromagnetic interference (EMI).

A grounded conductive layer inside the device enclosure is suggested for EMI and ESD performance. Any openings in the enclosure near the module should be surrounded by a grounded conductive layer to provide ESD protection and a low-impedance path to ground.

**Device Handling:** Proper ESD protocol must be followed in manufacturing to ensure component reliability.

#### Note

<sup>10</sup>. This does not apply to the RF pins (ANT, XTALI, and XTALO). RF pins (ANT, XTALI, and XTALO) are tested for 500-V HBM.

## Regulatory Information

### FCC

#### FCC NOTICE:

The device CYBLE-212019-00 complies with Part 15 of the FCC Rules. The device meets the requirements for modular transmitter approval as detailed in FCC public Notice DA00-1407. transmitter Operation is subject to the following two conditions: (1) This device may not cause harmful interference, and (2) This device must accept any interference received, including interference that may cause undesired operation.

#### CAUTION:

The FCC requires the user to be notified that any changes or modifications made to this device that are not expressly approved by Cypress Semiconductor may void the user's authority to operate the equipment.

This equipment has been tested and found to comply with the limits for a Class B digital device, pursuant to Part 15 of the FCC Rules. These limits are designed to provide reasonable protection against harmful interference in a residential installation. This equipment generates uses and can radiate radio frequency energy and, if not installed and used in accordance with the instructions, may cause harmful interference to radio communications. However, there is no guarantee that interference will not occur in a particular installation. If this equipment does cause harmful interference to radio or television reception, which can be determined by turning the equipment off and on, the user is encouraged to try to correct the interference by one or more of the following measures:

- Reorient or relocate the receiving antenna.
- Increase the separation between the equipment and receiver.
- Connect the equipment into an outlet on a circuit different from that to which the receiver is connected.
- Consult the dealer or an experienced radio/TV technician for help

#### LABELING REQUIREMENTS:

The Original Equipment Manufacturer (OEM) must ensure that FCC labelling requirements are met. This includes a clearly visible label on the outside of the OEM enclosure specifying the appropriate Cypress Semiconductor FCC identifier for this product as well as the FCC Notice above. The FCC identifier is FCC ID: WAP2011.

In any case the end product must be labeled exterior with "Contains FCC ID: WAP2011".

#### ANTENNA WARNING:

This device is tested with a standard SMA connector and with the antennas listed below. When integrated in the OEMs product, these fixed antennas require installation preventing end-users from replacing them with non-approved antennas. Any antenna not in the following table must be tested to comply with FCC Section 15.203 for unique antenna connectors and Section 15.247 for emissions.

#### RF EXPOSURE:

To comply with FCC RF Exposure requirements, the Original Equipment Manufacturer (OEM) must ensure to install the approved antenna in the previous.

The preceding statement must be included as a CAUTION statement in manuals, for products operating with the approved antennas in [Table 6 on page 13](#), to alert users on FCC RF Exposure compliance. Any notification to the end user of installation or removal instructions about the integrated radio module is not allowed.

The radiated output power of CYBLE-212019-00 with the trace antenna is far below the FCC radio frequency exposure limits. Nevertheless, use CYBLE-212019-00 in such a manner that minimizes the potential for human contact during normal operation.

End users may not be provided with the module installation instructions. OEM integrators and end users must be provided with transmitter operating conditions for satisfying RF exposure compliance.

### Industry Canada (IC) Certification

CYBLE-212019-00 is licensed to meet the regulatory requirements of Industry Canada (IC),

License: IC: 7922A-2011

Manufacturers of mobile, fixed or portable devices incorporating this module are advised to clarify any regulatory questions and ensure compliance for SAR and/or RF exposure limits. Users can obtain Canadian information on RF exposure and compliance from [www.ic.gc.ca](http://www.ic.gc.ca).

This device has been designed to operate with the antennas listed in [Table 6 on page 13](#), having a maximum gain of 0.5 dBi. Antennas not included in this list or having a gain greater than 0.5 dBi are strictly prohibited for use with this device. The required antenna impedance is 50 ohms. The antenna used for this transmitter must not be co-located or operating in conjunction with any other antenna or transmitter.

#### IC NOTICE:

The device CYBLE-212019-00 including the built-in trace antenna complies with Canada RSS-GEN Rules. The device meets the requirements for modular transmitter approval as detailed in RSS-GEN. Operation is subject to the following two conditions: (1) This device may not cause harmful interference, and (2) This device must accept any interference received, including interference that may cause undesired operation.

#### IC RADIATION EXPOSURE STATEMENT FOR CANADA

This device complies with Industry Canada licence-exempt RSS standard(s). Operation is subject to the following two conditions: (1) this device may not cause interference, and (2) this device must accept any interference, including interference that may cause undesired operation of the device.

Le présent appareil est conforme aux CNR d'Industrie Canada applicables aux appareils radio exempts de licence. L'exploitation est autorisée aux deux conditions suivantes : (1) l'appareil ne doit pas produire de brouillage, et (2) l'utilisateur de l'appareil doit accepter tout brouillage radioélectrique subi, même si le brouillage est susceptible d'en compromettre le fonctionnement.

#### LABELING REQUIREMENTS:

The Original Equipment Manufacturer (OEM) must ensure that IC labelling requirements are met. This includes a clearly visible label on the outside of the OEM enclosure specifying the appropriate Cypress Semiconductor IC identifier for this product as well as the IC Notice above. The IC identifier is 7922A-2011. In any case, the end product must be labeled in its exterior with "Contains IC: 7922A-2011"

### European R&TTE Declaration of Conformity

Hereby, Cypress Semiconductor declares that the Bluetooth module CYBLE-212023-10 complies with the essential requirements and other relevant provisions of Directive 1999/5/EC. As a result of the conformity assessment procedure described in Annex III of the Directive 1999/5/EC, the end-customer equipment should be labeled as follows:



All versions of the CYBLE-212019-00 in the specified reference design can be used in the following countries: Austria, Belgium, Cyprus, Czech Republic, Denmark, Estonia, Finland, France, Germany, Greece, Hungary, Ireland, Italy, Latvia, Lithuania, Luxembourg, Malta, Poland, Portugal, Slovakia, Slovenia, Spain, Sweden, The Netherlands, the United Kingdom, Switzerland, and Norway.

**MIC Japan**

CYBLE-212019-00 is certified as a module with type certification number 203-JN0509. End products that integrate CYBLE-212023-10 do not need additional MIC Japan certification for the end product.

End product can display the certification label of the embedded module.

Model Name: EZ-BLE PRoC Module

Part Number: CYBLE-212019-00

Manufactured by Cypress Semiconductor.



203-JN0509

**KC Korea**

CYBLE-212019-00 is certified for use in Korea with certificate number MSIP-CRM-Cyp-2011.

한국 인증 세부정보:



1. 제품명(모델명): 특정소출력무선기기(무선데이터통신시스템용 무선기기), CYBLE-212019-00
2. 인증 번호: MSIP-CRM-Cyp-2011
3. 라이선스 소유자: Cypress Semiconductor Corporation
4. 제조일자: 2015.12
5. 제조업체/국가명: Cypress Semiconductor Corporation/ 중국

해당 무선설비는 전파혼신 가능성이 있으므로 인명안전과 관련된 서비스는 할 수 없습니다.



## Packaging

**Table 52. Solder Reflow Peak Temperature**

| Module Part Number | Package    | Maximum Peak Temperature | Maximum Time at Peak Temperature | No. of Cycles |
|--------------------|------------|--------------------------|----------------------------------|---------------|
| CYBLE-2120XX-X0    | 31-pad SMT | 260 °C                   | 30 seconds                       | 2             |

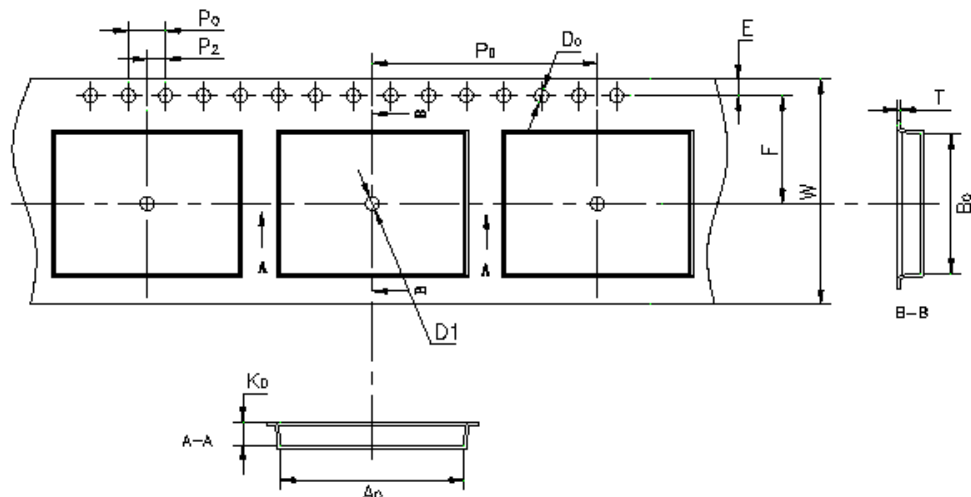
**Table 53. Package Moisture Sensitivity Level (MSL), IPC/JEDEC J-STD-2**

| Module Part Number | Package    | MSL   |
|--------------------|------------|-------|
| CYBLE-2120XX-X0    | 31-pad SMT | MSL 3 |

The CYBLE-2120XX-X0 is offered in tape and reel packaging. [Figure 10](#) details the tape dimensions used for the CYBLE-212019-00.

**Figure 10. CYBLE-2120XX-X0 Tape Dimensions**

| Item        | W                                      | A <sub>0</sub>                         | B <sub>0</sub>                         | K <sub>0</sub>                         | P <sub>1</sub>                         | F                                      | E                                      | D <sub>0</sub>                         | D <sub>1</sub>                         | P <sub>0</sub>                         | P <sub>2</sub>                         | T                                      |
|-------------|--|--|--|--|--|--|--|--|--|--|--|--|
| Measurement | 24.0 <sup>+0.30</sup> <sub>-0.30</sub> | 19.5 <sup>+0.10</sup> <sub>-0.10</sub> | 14.8 <sup>+0.10</sup> <sub>-0.10</sub> | 2.50 <sup>+0.10</sup> <sub>-0.10</sub> | 24.0 <sup>+0.10</sup> <sub>-0.10</sub> | 11.5 <sup>+0.10</sup> <sub>-0.30</sub> | 1.75 <sup>+0.10</sup> <sub>-0.10</sub> | 1.50 <sup>+0.10</sup> <sub>-0.00</sub> | 1.50 <sup>+0.10</sup> <sub>-0.10</sub> | 4.00 <sup>+0.10</sup> <sub>-0.30</sub> | 2.00 <sup>+0.10</sup> <sub>-0.10</sub> | 0.35 <sup>+0.08</sup> <sub>-0.08</sub> |



[Figure 11](#) details the orientation of the CYBLE-2120XX-X0 in the tape as well as the direction for unreeling.

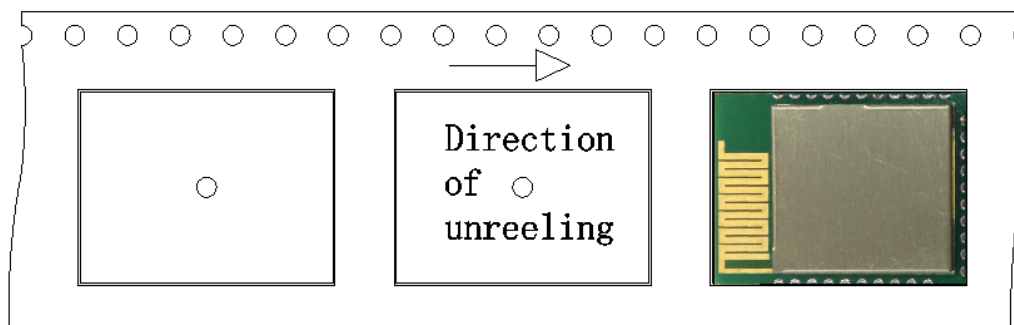
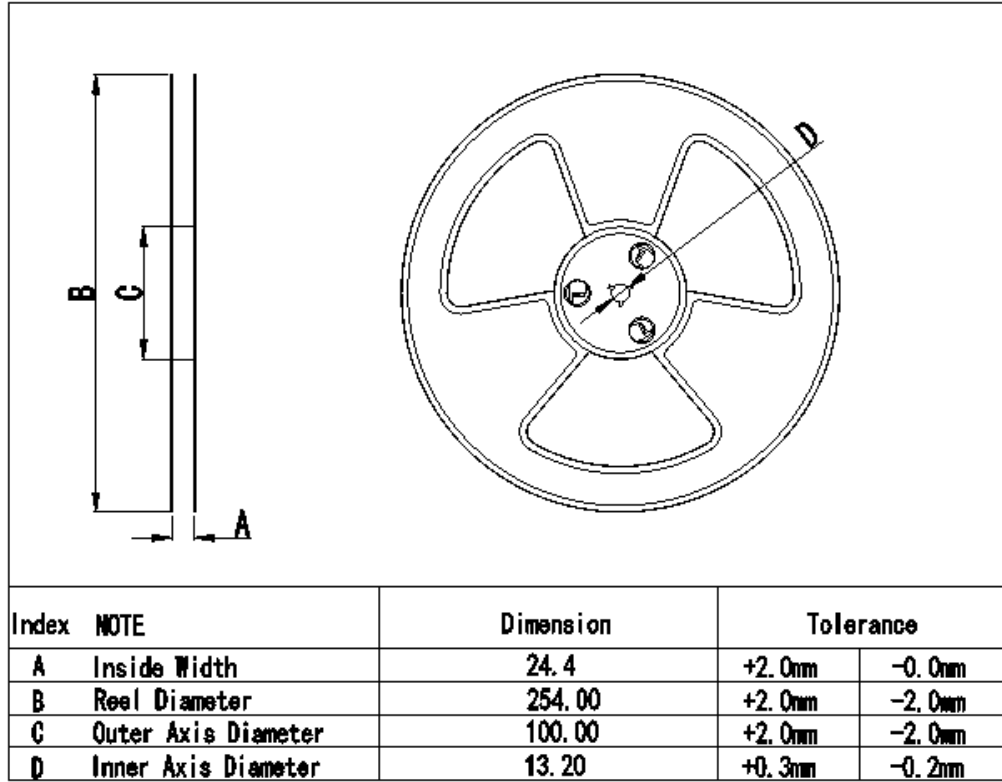
**Figure 11. Component Orientation in Tape and Unreeling Direction**


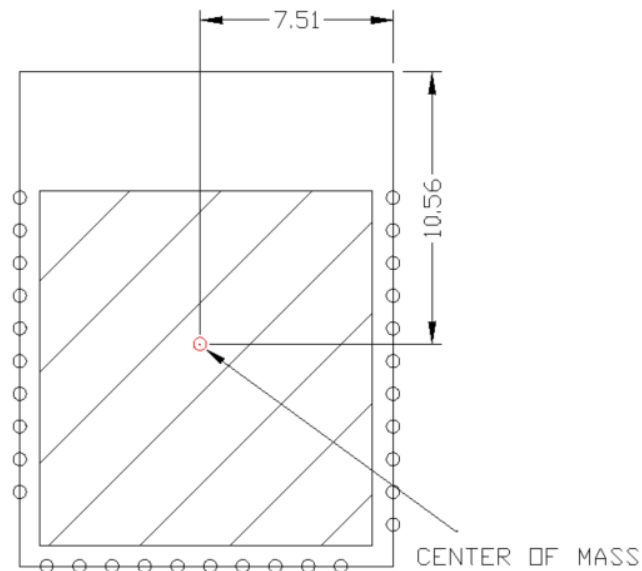
Figure 12 details reel dimensions used for the CYBLE-212019-00.

Figure 12. Reel Dimensions



The CYBLE-2120XX-X0 is designed to be used with pick-and-place equipment in an SMT manufacturing environment. The center-of-mass for the CYBLE-2120XX-X0 is detailed in Figure 13.

Figure 13. CYBLE-2120XX-X0 Center of Mass (Seen from Top)



## Ordering Information

Table 54 lists the CYBLE-2120XX-X0 part numbers and features.

**Table 54. Ordering Information**

| Part Number     | CPU Speed (MHz) | Flash Size (KB) | CapSense | SCB | TCPWM | 12-Bit SAR ADC | I <sup>2</sup> S | LCD | Package | Packing       | Certified |
|-----------------|-----------------|-----------------|----------|-----|-------|----------------|------------------|-----|---------|---------------|-----------|
| CYBLE-212019-00 | 48              | 256             | Yes      | 2   | 4     | 1 Msps         | Yes              | Yes | 31-SMT  | Tape and Reel | Yes       |
| CYBLE-212023-10 | 48              | 256             | Yes      | 2   | 4     | 1 Msps         | Yes              | Yes | 31-SMT  | Tape and Reel | No        |

Table 55 lists the CYBLE-2120XX-X0 reel shipment quantities.

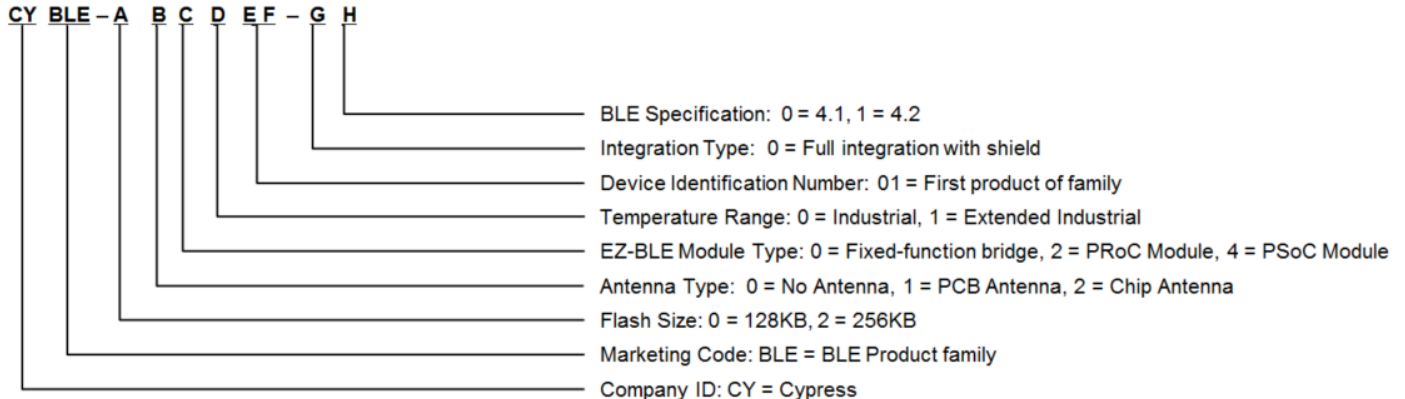
**Table 55. Tape and Reel Package Quantity and Minimum Order Amount**

| Description                  | Minimum Reel Quantity | Maximum Reel Quantity | Comments                           |
|------------------------------|-----------------------|-----------------------|------------------------------------|
| Reel Quantity                | 500                   | 500                   | Ships in 500 unit reel quantities. |
| Minimum Order Quantity (MOQ) | 500                   | –                     |                                    |
| Order Increment (OI)         | 500                   | –                     |                                    |

The CYBLE-212019-00 is offered in tape and reel packaging. The CYBLE-212019-00 ships with a maximum of 500 units/reel.

### Part Numbering Convention

The part numbers are of the form CYBLE-ABCDEF-GH where the fields are defined as follows.



For additional information and a complete list of Cypress Semiconductor BLE products, contact your local Cypress sales representative. To locate the nearest Cypress office, visit our website.

|                                       |   |
|---------------------------------------|---|
| U.S. Cypress Headquarters Address     | 198 Champion Court, San Jose, CA 95134                      |
| U.S. Cypress Headquarter Contact Info | (408) 943-2600  |
| Cypress website address               | <a href="http://www.cypress.com">http://www.cypress.com</a> |

## Acronyms

Table 56. Acronyms Used in this Document

| Acronym       | Description  |
|---------------|--|
| BLE           | Bluetooth Low Energy   |
| Bluetooth SIG | Bluetooth Special Interest Group   |
| CE            | European Conformity  |
| CSA           | Canadian Standards Association   |
| EMI           | electromagnetic interference   |
| ESD           | electrostatic discharge  |
| FCC           | Federal Communications Commission  |
| GPIO          | general-purpose input/output   |
| IC            | Industry Canada  |
| IDE           | integrated design environment  |
| KC            | Korea Certification  |
| MIC           | Ministry of Internal Affairs and Communications (Japan)  |
| PCB           | printed circuit board  |
| RX            | receive  |
| QDID          | qualification design ID  |
| SMT           | surface-mount technology; a method for producing electronic circuitry in which the components are placed directly onto the surface of PCBs |
| TCPWM         | timer, counter, pulse width modulator (PWM)  |
| TUV           | Germany: Technischer Überwachungs-Verein (Technical Inspection Association)  |
| TX            | transmit   |

## Document Conventions

### Units of Measure

Table 57. Units of Measure

| Symbol | Unit of Measure |
|--------|-----------------|
| °C     | degree Celsius  |
| kV     | kilovolt        |
| mA     | milliamperes    |
| mm     | millimeters     |
| mV     | millivolt       |
| μA     | microamperes    |
| μm     | micrometers     |
| MHz    | megahertz       |
| GHz    | gigahertz       |
| V      | volt            |

## Document History Page

| Document Title: CYBLE-212019-00/CYBLE-212023-10, EZ-BLE™ PRoC™ Module |         |                 |                 |  |
|---|---------|-----------------|-----------------|--|
| Document Number: 002-09764  |         |                 |                 |  |
| Revision  | ECN     | Orig. of Change | Submission Date | Description of Change  |
| **  | 5086199 | DSO             | 01/14/2016      | Preliminary datasheet for CYBLE-212019-00 module.  |
| *A  | 5148398 | DSO             | 02/22/2016      | Update <a href="#">More Information</a> section to add KBA210638 (Certification Test Reports) to reference list.<br>Update <a href="#">More Information</a> section to add KBA10896 to reference list.<br>Updated orientation of module drawings in <a href="#">Figure 1</a> , <a href="#">Figure 2</a> , <a href="#">Figure 3</a> , <a href="#">Figure 4</a> , <a href="#">Figure 5</a> , <a href="#">Figure 6</a> , <a href="#">Figure 7</a> , <a href="#">Figure 8</a> , <a href="#">Figure 9</a> , and <a href="#">Figure 13</a> to match orientation in PSoC Creator.<br>Update <a href="#">Table 4</a> to add additional information with respect to the functional capabilities for each solder pad.  |
| *B  | 5137880 | MINS            | 04/20/2016      | Updated Document Title to read as "CYBLE-212019-00/CYBLE-212023-10, EZ-BLE™ PRoC™ Module".<br>Added CYBLE-212023-10 related information in all instances across the document.<br>Updated to new template.  |
| *C  | 5418947 | DSO             | 08/30/2016      | Changed status from Preliminary to Final.<br>Updated <a href="#">General Description</a> :<br>Updated <a href="#">Module Description</a> :<br>Added Bluetooth Declaration ID and QDID under "Bluetooth 4.1 single-mode module".<br>Updated <a href="#">Power Consumption</a> :<br>Replaced "Stop: 60 nA with XRES wakeup" with "Stop: 60 nA with GPIO (P2.2) or XRES wakeup" under "Low power mode support".<br>Updated <a href="#">More Information</a> :<br>Added additional Knowledge Base Article references.<br>Updated <a href="#">Electrical Specification</a> :<br>Updated <a href="#">System Resources</a> :<br>Updated <a href="#">Internal Low-Speed Oscillator</a> :<br>Updated <a href="#">Table 49</a> (Updated details in "Value" column corresponding to ECO <sub>TRIM</sub> parameter).<br>Updated <a href="#">Ordering Information</a> :<br>No change in part numbers.<br>Added <a href="#">Table 55</a> (To specify minimum and maximum reel quantities ship for orders of the CYBLE-2120XX-X0 module).<br>Updated to new template. |
| *D  | 5529621 | DSO             | 11/15/2016      | Updated <a href="#">More Information</a> :<br>Added <a href="#">EZ-Serial™ BLE Firmware Platform</a> section.<br>Updated <a href="#">Overview</a> :<br>Updated <a href="#">Figure 1</a> to specify that Bottom View is "Seen from Bottom".<br>Updated <a href="#">Recommended Host PCB Layout</a> :<br>Updated <a href="#">Figure 4</a> , <a href="#">Figure 5</a> , and <a href="#">Figure 6</a> captions to specify that these as "Seen on Host PCB".<br>Updated <a href="#">Power Supply Connections and Recommended External Components</a> :<br>Updated <a href="#">Figure 7</a> and <a href="#">Figure 8</a> to specify that these are "Seen from Bottom".<br>Updated <a href="#">Digital and Analog Capabilities and Connections</a> :<br>Updated <a href="#">Table 4</a> :<br>Updated TCPWM column to add TCPWM capability on Port 2 pins.<br>Added Footnote 3.  |
| *E  | 5553544 | DSO             | 12/14/2016      | Updated <a href="#">Electrical Specification</a> :<br>Updated <a href="#">SAR ADC</a> :<br>Updated <a href="#">Table 18</a> to add Note 8 to specify under what conditions the maximum number of ADC channels can be achieved.   |
| *F  | 5731446 | GNKK            | 05/09/2017      | Updated the Cypress logo.  |

## Document History Page

|  |         |     |            |  |
|--|---------|-----|------------|--|
| <b>Document Title: CYBLE-212019-00/CYBLE-212023-10, EZ-BLE™ PRoC™ Module</b> |         |     |            |  |
| <b>Document Number: 002-09764</b>  |         |     |            |  |
| *G   | 6002363 | DSO | 12/22/2017 | Updated reel dimensions in <a href="#">Figure 10</a> and <a href="#">Figure 12</a> . |

## Sales, Solutions, and Legal Information

### Worldwide Sales and Design Support

Cypress maintains a worldwide network of offices, solution centers, manufacturer's representatives, and distributors. To find the office closest to you, visit us at [Cypress Locations](#).

#### Products

|                               |  |
|-------------------------------|--|
| Arm® Cortex® Microcontrollers | <a href="http://cypress.com/arm">cypress.com/arm</a>               |
| Automotive                    | <a href="http://cypress.com/automotive">cypress.com/automotive</a> |
| Clocks & Buffers              | <a href="http://cypress.com/clocks">cypress.com/clocks</a>         |
| Interface                     | <a href="http://cypress.com/interface">cypress.com/interface</a>   |
| Internet of Things            | <a href="http://cypress.com/iot">cypress.com/iot</a>               |
| Memory                        | <a href="http://cypress.com/memory">cypress.com/memory</a>         |
| Microcontrollers              | <a href="http://cypress.com/mcu">cypress.com/mcu</a>               |
| PSoC                          | <a href="http://cypress.com/psoc">cypress.com/psoc</a>             |
| Power Management ICs          | <a href="http://cypress.com/pmic">cypress.com/pmic</a>             |
| Touch Sensing                 | <a href="http://cypress.com/touch">cypress.com/touch</a>           |
| USB Controllers               | <a href="http://cypress.com/usb">cypress.com/usb</a>               |
| Wireless Connectivity         | <a href="http://cypress.com/wireless">cypress.com/wireless</a>     |

#### PSoC® Solutions

[PSoC 1](#) | [PSoC 3](#) | [PSoC 4](#) | [PSoC 5LP](#) | [PSoC 6 MCU](#)

#### Cypress Developer Community

[Community](#) | [Projects](#) | [Video](#) | [Blogs](#) | [Training](#) | [Components](#)

#### Technical Support

[cypress.com/support](http://cypress.com/support)

© Cypress Semiconductor Corporation, 2016-2017. This document is the property of Cypress Semiconductor Corporation and its subsidiaries, including Spansion LLC ("Cypress"). This document, including any software or firmware included or referenced in this document ("Software"), is owned by Cypress under the intellectual property laws and treaties of the United States and other countries worldwide. Cypress reserves all rights under such laws and treaties and does not, except as specifically stated in this paragraph, grant any license under its patents, copyrights, trademarks, or other intellectual property rights. If the Software is not accompanied by a license agreement and you do not otherwise have a written agreement with Cypress governing the use of the Software, then Cypress hereby grants you a personal, non-exclusive, nontransferable license (without the right to sublicense) (1) under its copyright rights in the Software (a) for Software provided in source code form, to modify and reproduce the Software solely for use with Cypress hardware products, only internally within your organization, and (b) to distribute the Software in binary code form externally to end users (either directly or indirectly through resellers and distributors), solely for use on Cypress hardware product units, and (2) under those claims of Cypress's patents that are infringed by the Software (as provided by Cypress, unmodified) to make, use, distribute, and import the Software solely for use with Cypress hardware products. Any other use, reproduction, modification, translation, or compilation of the Software is prohibited.

TO THE EXTENT PERMITTED BY APPLICABLE LAW, CYPRESS MAKES NO WARRANTY OF ANY KIND, EXPRESS OR IMPLIED, WITH REGARD TO THIS DOCUMENT OR ANY SOFTWARE OR ACCOMPANYING HARDWARE, INCLUDING, BUT NOT LIMITED TO, THE IMPLIED WARRANTIES OF MERCHANTABILITY AND FITNESS FOR A PARTICULAR PURPOSE. No computing device can be absolutely secure. Therefore, despite security measures implemented in Cypress hardware or software products, Cypress does not assume any liability arising out of any security breach, such as unauthorized access to or use of a Cypress product. In addition, the products described in these materials may contain design defects or errors known as errata which may cause the product to deviate from published specifications. To the extent permitted by applicable law, Cypress reserves the right to make changes to this document without further notice. Cypress does not assume any liability arising out of the application or use of any product or circuit described in this document. Any information provided in this document, including any sample design information or programming code, is provided only for reference purposes. It is the responsibility of the user of this document to properly design, program, and test the functionality and safety of any application made of this information and any resulting product. Cypress products are not designed, intended, or authorized for use as critical components in systems designed or intended for the operation of weapons, weapons systems, nuclear installations, life-support devices or systems, other medical devices or systems (including resuscitation equipment and surgical implants), pollution control or hazardous substances management, or other uses where the failure of the device or system could cause personal injury, death, or property damage ("Unintended Uses"). A critical component is any component of a device or system whose failure to perform can be reasonably expected to cause the failure of the device or system, or to affect its safety or effectiveness. Cypress is not liable, in whole or in part, and you shall and hereby do release Cypress from any claim, damage, or other liability arising from or related to all Unintended Uses of Cypress products. You shall indemnify and hold Cypress harmless from and against all claims, costs, damages, and other liabilities, including claims for personal injury or death, arising from or related to any Unintended Uses of Cypress products.

Cypress, the Cypress logo, Spansion, the Spansion logo, and combinations thereof, WICED, PSoC, CapSense, EZ-USB, F-RAM, and Traveo are trademarks or registered trademarks of Cypress in the United States and other countries. For a more complete list of Cypress trademarks, visit [cypress.com](http://cypress.com). Other names and brands may be claimed as property of their respective owners.

## X-ON Electronics

Largest Supplier of Electrical and Electronic Components

*Click to view similar products for [Bluetooth Modules - 802.15.1 category](#):*

*Click to view products by [Cypress manufacturer](#):*

Other Similar products are found below :

[A2541R24A10GM](#) [CYBLE-212023-10](#) [BM78SPP05NC2-0002AA](#) [BM78SPP05MC2-0002AA](#) [CYW20732S](#) [968EMB0019](#) [E73-2G4M08S1CX](#) [TB-03F-AT\\_Mesh](#) [TB-04](#) [TB-04--AT\\_Mesh](#) [BT3L\(jibu\)](#) [BT5S\(xoft\)](#) [BT5S\(4k43\)](#) [BT5S\(jcyv\)](#) [1327](#) [RN42HID-I/RM](#) [BM70BLE01FC2-0B03AA](#) [ACN52832](#) [A2541E24A10GM](#) [RN42-I/RM630](#) [MOTG-BLUETOOTH](#) [ABBTM-2.4GHz-52-T](#) [ABBTM-2.4GHz-T](#) [ABBTM-2.4GHz-T2](#) [ACN52840](#) [AFERO-BL24-01](#) [BLED112](#) [BM62SPKS1MC2-0001AA](#) [BM78SPPS5MC2-0002AA](#) [PX0880/1](#) [BM833F](#) [BT680F](#) [PBA31309V1.00](#) [S LK64](#) [ATSAMB11-MR510CA](#) [BM20SPKS1NBC-0001AA](#) [BM23SPKS1NB9-0B02AA](#) [BM70BLE01FC2-0B04AA](#) [BM70BLES1FC2-0B04AA](#) [BM77SPP03MC2-0008AA](#) [BM77SPPS3MC2-0007AA](#) [BM78SPPS5NC2-0002AA](#) [DM164146](#) [RN42-I/RM615](#) [RN42N-I/RM](#) [RN42NU-IRM](#) [RN42XVP-I/RM](#) [RN4678-V/RM113](#) [RN4871U-V/RM118](#) [ENW-89820A3KF](#) [ENW-89846A1KF](#)