

# EZ-BLE™ PRoC™ EVALUATION BOARD

## CYBLE-222005-EVAL



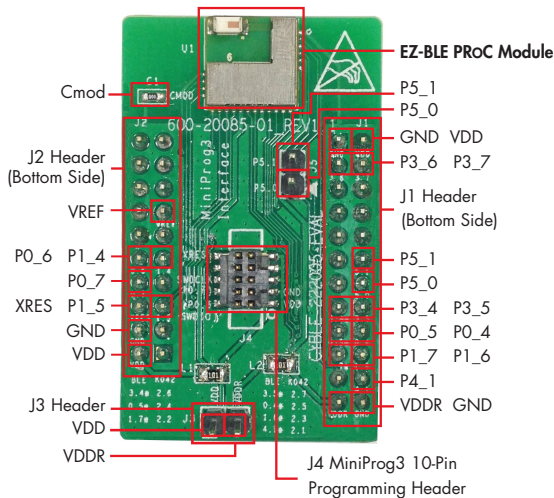
The EZ-BLE™ PRoC™ Evaluation Board (CYBLE-222005-EVAL) enables you to evaluate and develop applications on the EZ-BLE PRoC Module (CYBLE-222005-00). The EZ-BLE PRoC Module is a fully-integrated, fully-certified, 10 mm x 10 mm x 1.8 mm, programmable, Bluetooth® Smart module designed to reduce your time-to-market.

For more information visit:

[www.cypress.com/EZ-BLEModule](http://www.cypress.com/EZ-BLEModule) - The EZ-BLE Module home page.

[www.cypress.com/EZ-BLEEval](http://www.cypress.com/EZ-BLEEval) - The EZ-BLE PRoC Evaluation Board kit page.

[www.cypress.com/go/AN96841](http://www.cypress.com/go/AN96841) - The getting started guide.



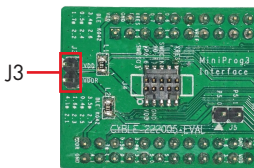
**Fig 1: CYBLE-222005-EVAL Pinout Description**

Note: To use the CYBLE-222005-EVAL you must separately purchase either the CY8CKIT-002 MINIPROG3 or the CY8CKIT-042-BLE BLE PIONEER KIT.

# EZ-BLE™ PROc™ EVALUATION BOARD

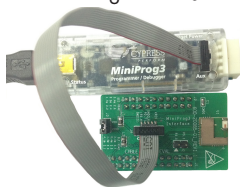
**1:** Connect the CYBLE-222005-EVAL to the CY8CKIT-002 (MiniProg3)

Connect a jumper on the J3 header



**Fig 2: J3 Header**

Connect the MiniProg3 to the J4 10-pin header



**Fig 3: Programming/Debugging with MiniProg3**

**OR**

Plug the CYBLE-222005-EVAL on the CY8CKIT-042-BLE baseboard.

Note: Jumper on CYBLE-222005-EVAL's J3 header can be connected or disconnected.



**Fig 4: Programming and debugging with CY8CKIT-042-BLE BLE Pioneer Kit Baseboard**

Pin Mapping between CY8CKIT-042-BLE (Base) and CYBLE-222005-EVAL (Eval)

| (Base)      | (Eval) | (Base) | (Eval) | (Base) | (Eval) | (Base) | (Eval) |
|-------------|--------|--------|--------|--------|--------|--------|--------|
| GND         | GND    | P2_4   | P0_5   | P2_3   | P1_6   | P3_7   | P3_7   |
| VDDD, VDDDA | VDD    | P0_6   | P0_6   | P2_2   | P1_7   | P2_1   | P4_1   |
| VDDR        | VDDR   | P0_7   | P0_7   | P2_6   | P3_4   | P5_0   | P5_0   |
| XRES        | XRES   | P1_4   | P1_4   | P2_7   | P3_5   | P5_1   | P5_1   |
| P2_5        | P0_4   | P1_5   | P1_5   | P3_6   | P3_6   | VREF   | VREF   |

**2:** Create a project using the CYBLE-222005-00 MPN and program/debug using PSoC® Creator™ 3.3

The EZ-BLE PROc Module is qualified for the Bluetooth 4.1 specification and is certified for the 2.4 GHz unlicensed frequency range in USA (FCC), Canada (IC), Europe (CE), Japan (TELEC) and Korea (KC).

Visit [www.cypress.com/go/support](http://www.cypress.com/go/support) for technical support

## X-ON Electronics

Largest Supplier of Electrical and Electronic Components

*Click to view similar products for [Bluetooth Development Tools - 802.15.1 category](#):*

*Click to view products by [Cypress manufacturer](#):*

Other Similar products are found below :

[DA14580PRODTLKT 1628](#) [SP14808ST](#) [MBH7BLZ02-EF-KIT](#) [FWM7BLZ20-EB-KIT](#) [SP14801-DUT](#) [SKY66111-21EK1](#) [SECO-RSL10-TAG-GEVB 3026](#) [MIKROE-2471](#) [BLE-IOT-GEVB 450-0184](#) [EKSHCNZXZ](#) [EVAL\\_PAN1026](#) [EVAL\\_PAN1720](#) [EVAL\\_PAN1740 2267](#) [2479](#) [2487](#) [2633](#) [STEVAL-IDB005V1D](#) [STEVAL-IDB001V1](#) [MIKROE-2545](#) [SIPKITSLF001 2995](#) [STEVAL-IDB007V1M 2829](#) [DFR0267](#) [DFR0296](#) [BM-70-CDB](#) [STEVAL-BTDP1](#) [ACD52832](#) [TEL0095](#) [RN-4871-PICTAIL](#) [DA14695-00HQDEVKT-P](#) [DA14695-00HQDEVKT-U](#) [EBSHJNZXZ](#) [EKSGJNZWY](#) [EKSHJNZXZ](#) [BMD-200-EVAL-S](#) [ACN BREAKOUT BOARD](#) [ACN SKETCH 2746](#) [3242](#) [3574](#) [4062](#) [4333](#) [4481](#) [4500](#) [ABX00030](#)