

EZ-BLE™ PSoC® EVALUATION BOARD

CYBLE-224116-EVAL



The EZ-BLE™ PSoC® Evaluation Board (CYBLE-224116-EVAL) enables you to evaluate and develop applications on the EZ-BLE PSoC Module (CYBLE-224116-01). The EZ-BLE PSoC Module is a fully-integrated, fully-certified, 9.5 mm x 15.4 mm x 1.8 mm, programmable, Bluetooth® Smart module designed to reduce your time-to-market.

For more information visit:

www.cypress.com/EZ-BLEModule - The EZ-BLE Module home page.

www.cypress.com/EZ-BLEEval - EZ-BLE PSoC Evaluation Kits.

www.cypress.com/go/AN96841 - The getting started guide.

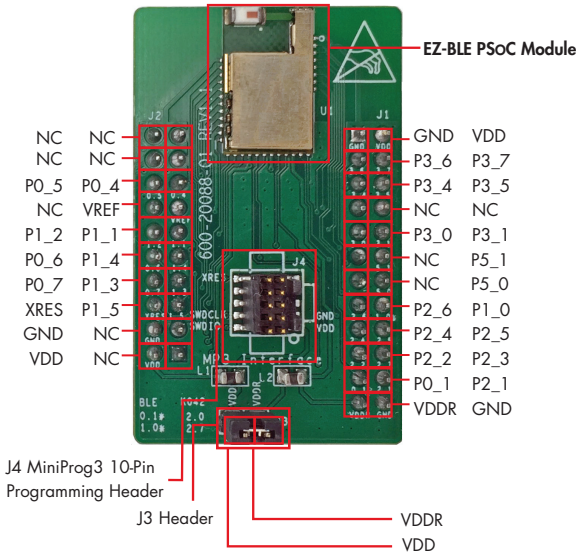
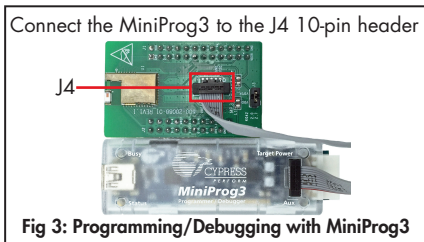
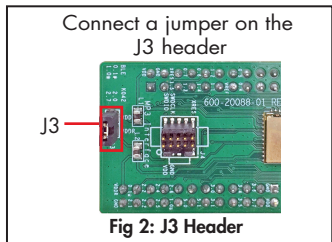


Fig 1: CYBLE-224116-EVAL Pinout Description

Note: To use the CYBLE-224116-EVAL you must separately purchase either the CY8CKIT-002 MINIPROG3 or the CY8CKIT-042-BLE BLE PIONEER KIT.

EZ-BLE™ PSoC® EVALUATION BOARD

1: Connect the CYBLE-2241 16-EVAL to the CY8CKIT-002 (MiniProg3)



OR

Plug the CYBLE-2241 16-EVAL on the CY8CKIT-042-BLE baseboard.

Note: The jumper on CYBLE-2241 16-EVAL's J3 header can be connected or disconnected.

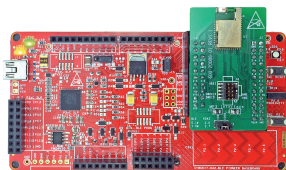


Fig 4: Programming and debugging with CY8CKIT-042-BLE BLE Pioneer Kit Baseboard

| Pin Mapping between CY8CKIT-042-BLE (Base) and CYBLE-2241 16-EVAL (Eval) | | | | | | | |
|--|--------|--------|--------|--------|--------|--------|--------|
| (Base) | (Eval) | (Base) | (Eval) | (Base) | (Eval) | (Base) | (Eval) |
| GND | GND | P0_7 | P0_7 | P2_2 | P2_2 | P3_4 | P3_4 |
| VDDD, VDDA | VDD | P1_1 | P1_1 | P2_3 | P2_3 | P3_5 | P3_5 |
| VDDR | VDDR | P1_2 | P1_2 | P2_4 | P2_4 | P3_6 | P3_6 |
| XRES | XRES | P1_3 | P1_3 | P2_5 | P2_5 | P3_7 | P3_7 |
| VREF | VREF | P1_4 | P1_4 | P2_6 | P2_6 | P5_0 | P5_0 |
| PO_4 | PO_4 | P1_5 | P1_5 | P2_7 | P1_0 | P5_1 | P5_1 |
| PO_5 | PO_5 | P2_0 | P0_1 | P3_0 | P3_0 | | |
| PO_6 | PO_6 | P2_1 | P2_1 | P3_1 | P3_1 | | |

2: Create a project using the CYBLE-2241 16-01 MPN and program/debug using PSoC® Creator™ 3.3 DP1.

The EZ-BLE PSoC Module is qualified for the Bluetooth 4.2 specification and is certified for the 2.4 GHz unlicensed frequency range in USA (FCC), Canada (IC), Europe (CE), Japan (TELEC) and Korea (KC).

Visit www.cypress.com/go/support for technical support

X-ON Electronics

Largest Supplier of Electrical and Electronic Components

Click to view similar products for [Bluetooth Development Tools - 802.15.1 category](#):

Click to view products by [Cypress manufacturer](#):

Other Similar products are found below :

[DA14580PRODTLKT 1628](#) [SP14808ST](#) [MBH7BLZ02-EF-KIT](#) [FWM7BLZ20-EB-KIT](#) [SP14801-DUT](#) [SKY66111-21EK1](#) [SECO-RSL10-TAG-GEVB 3026](#) [MIKROE-2471](#) [BLE-IOT-GEVB 450-0184](#) [EKSHCNZXZ](#) [EVAL_PAN1026](#) [EVAL_PAN1720](#) [EVAL_PAN1740 2267](#) [2479](#) [2487](#) [2633](#) [STEVAL-IDB005V1D](#) [STEVAL-IDB001V1](#) [MIKROE-2545](#) [SIPKITSLF001 2995](#) [STEVAL-IDB007V1M 2829](#) [DFR0267](#) [DFR0296](#) [BM-70-CDB](#) [STEVAL-BTDP1](#) [ACD52832](#) [TEL0095](#) [RN-4871-PICTAIL](#) [DA14695-00HQDEVKT-P](#) [DA14695-00HQDEVKT-U](#) [EBSHJNZXZ](#) [EKSGJNZWY](#) [EKSHJNZXZ](#) [BMD-200-EVAL-S](#) [ACN BREAKOUT BOARD](#) [ACN SKETCH 2746](#) [3242](#) [3574](#) [4062](#) [4333](#) [4481](#) [4500](#) [ABX00030](#)