

EZ-BT™ MODULE ARDUINO EVALUATION BOARD

CYBT-483039-EVAL



The EZ-BT Module Arduino Evaluation Board (CYBT-483039-EVAL) enables you to evaluate and develop applications on the EZ-BT WICED Module, CYBT-483039-02. CYBT-483039-EVAL can be used as a standalone evaluation kit or can be combined with Arduino compatible shields.

The CYBT-483039-02 WICED Module is a fully integrated, fully certified, 12.75 mm x 18.59 mm x 1.80 mm, programmable, Bluetooth® Smart Ready module designed to reduce your time-to-market.

For more information, visit:

www.cypress.com/bluetooth_modules - EZ-BLE/EZ-BT Module home pages

www.cypress.com/EZ-Serial - EZ-Serial Bluetooth Firmware Platform page

www.cypress.com/WICED - WICED SDK page

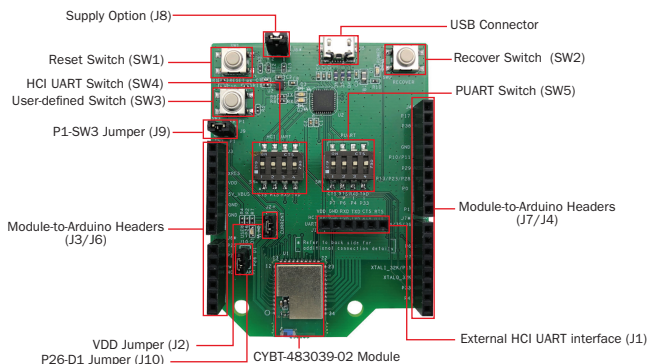


Figure 1: CYBT-483039-EVAL Top View

To use the CYBT-483039-EVAL:

- 1) Configure the evaluation board headers/switches to the desired settings
- 2) Connect the evaluation board to a PC via a USB cable
- 3) Refer to KBA223747 for platform files, Makefile target generation, and HCI UART switch position setting for programming
- 4) Open the WICED Studio SDK, develop your application, program and test

The Arduino compatible headers (J3/J4/J6/J7) are optional connections, which provide additional I/O connections to the module and allow for other Arduino shields to be used during development.

EZ-BT™ MODULE ARDUINO EVALUATION BOARD

CYBT-483039-EVAL

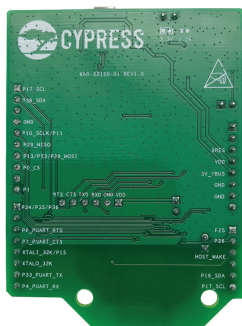


Figure 2: CYBT-483039-EVAL Bottom View

SW1: Reset Switch routed to the XRES connection on the module.

SW2: Recover Switch routed to the UART_CTS connection on the module.

SW3: User-defined Switch routed to the P1 connection on the module via J9.

SW4: Switch connecting HCI UART connections on the module to host via USB.

SW5: Switch connecting PUART connections on the module to host via USB.

J1: Connection for external interface for direct HCI UART communication.

J2: Used for power supply current measurement.

J3/J4/J6/J7: Arduino-compatible headers used with an Arduino compatible shield.

J8: Configures the VDD voltage input to the module as shown in the below table:

J8 Jumper Configuration	VDD Voltage Level
Short 1 & 2	3.3V
Open 1 & 2	2.0V

J9: Connects the P1 pad on the module to SW3.

J10: Connects the P26 pad on the module to LED D1.

The EZ-BT CYBT-483039-02 Module supports Bluetooth SIG Mesh, is qualified for the Bluetooth 5.0 specification and are certified for the 2.4 GHz unlicensed frequency range in USA (FCC), Canada (ISED), Europe (CE) and Japan (MIC).

Visit www.cypress.com/support for technical support.

X-ON Electronics

Largest Supplier of Electrical and Electronic Components

Click to view similar products for [Bluetooth Development Tools - 802.15.1 category](#):

Click to view products by [Cypress manufacturer](#):

Other Similar products are found below :

[DA14580PRODTLKT 1628](#) [SP14808ST](#) [MBH7BLZ02-EF-KIT](#) [FWM7BLZ20-EB-KIT](#) [SP14801-DUT](#) [SKY66111-21EK1](#) [SECO-RSL10-TAG-GEVB 3026](#) [MIKROE-2471](#) [BLE-IOT-GEVB 450-0184](#) [EKSHCNZXZ](#) [EVAL_PAN1026](#) [EVAL_PAN1720](#) [EVAL_PAN1740 2267](#) [2479](#) [2487](#) [2633](#) [STEVAL-IDB005V1D](#) [STEVAL-IDB001V1](#) [MIKROE-2545](#) [SIPKITSLF001 2995](#) [STEVAL-IDB007V1M 2829](#) [DFR0267](#) [DFR0296](#) [BM-70-CDB](#) [STEVAL-BTDP1](#) [ACD52832](#) [TEL0095](#) [RN-4871-PICTAIL](#) [DA14695-00HQDEVKT-P](#) [DA14695-00HQDEVKT-U](#) [EBSHJNZXZ](#) [EKSGJNZWY](#) [EKSHJNZXZ](#) [BMD-200-EVAL-S](#) [ACN BREAKOUT BOARD](#) [ACN SKETCH 2746](#) [3242](#) [3574](#) [4062](#) [4333](#) [4481](#) [4500](#) [ABX00030](#)