

## General Description

EZ-PD™ CCG5 is a dual USB Type-C controller that complies with the latest USB Type-C and PD standards. EZ-PD CCG5 provides a complete dual USB Type-C and USB-Power Delivery port control solution for PCs, notebook, and dock. It can also be used in dual role and downstream-facing port applications. EZ-PD CCG5 uses Cypress' proprietary M0S8 technology with a 32-bit, 48-MHz Arm® Cortex®-M0 processor with 128-KB flash and integrates two complete Type-C Transceivers including the Type-C termination resistors,  $R_P$  and  $R_D$ . CCG5 also integrates high-voltage regulator. CCG5 is available in 40-QFN (1 port) and 96-BGA (2 ports) packages.

## Applications

- PCs, Notebook, and Dock
- Thunderbolt hosts and devices

## Features

### Type-C and USB-PD Support

- Integrated USB Power Delivery (USB-PD) 3.0 support
- Two integrated USB-PD Type-C ports
- Integrated UFP<sup>[1]</sup> ( $R_D$ ) and current sources for DFP<sup>[2]</sup> ( $R_P$ ) on both Type-C ports
- Integrated dead battery termination for DRP (Power Source/Sink) applications
- Integrated VCONN FETs to power EMCA cables
- Integrated fast role swap and extended data messaging
- Integrated high-voltage LDO, operational up to 21.5 V
- Integrated 2x USB Analog Mux
- Integrated 2x SBU Analog Mux
- Integrated 2x USB Charger detect blocks – BC v1.2, Apple Charging (source only)
- Integrated overvoltage protection (OVP) and overcurrent protection (OCP) on the VBUS
- Integrated OCP protection on the VCONN
- Integrated high-voltage protection on CC and SBU pins to protect against accidental shorts to the VBUS pin on the Type-C connector
- Integrated current sense amplifier that supports high-side current sensing
- Integrated gate drivers for external VBUS PFET control on Type-C Ports
- Supports high-voltage tolerant PFET-controlled GPIOs

### 32-bit MCU Subsystem

- 48-MHz Arm Cortex-M0 CPU
- 128-KB Flash
- 12-KB SRAM

### Integrated Digital Blocks

- Up to two integrated timers and counters to meet response times required by the USB-PD protocol
- Four run-time serial communication blocks (SCBs) with reconfigurable I<sup>2</sup>C, SPI, or UART functionality

### Clocks and Oscillators

- Integrated oscillator eliminating the need for an external clock

### Low-Power Operation

- 2.75 V to 21.5 V operation

### System-Level ESD on CC, D±, and SBU Pins

- ±8-kV Contact Discharge and ±15-kV Air Gap Discharge based on IEC61000-4-2 level 4C

### Hot-Swappable I/Os

- Port 1 I<sup>2</sup>C pins and CC1, CC2 pins are hot-swappable

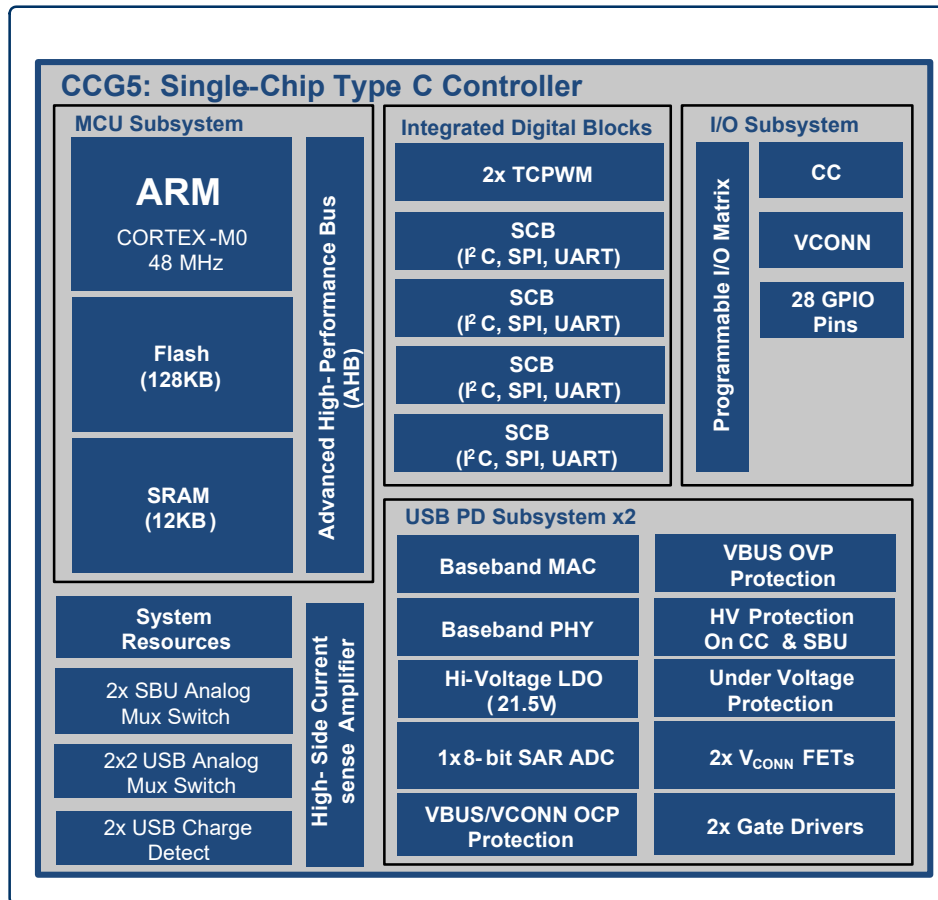
### Packages

- 6.0 mm × 6.0 mm, 0.6 mm, 40-pin QFN
- 6.0 mm × 6.0 mm, 1.0 mm, 96-ball BGA
- Supports industrial temperature range (–40 °C to +85 °C)

#### Notes

1. UFP refers to Power Sink.
2. DFP refers to Power Source.

Logic Block Diagram



## Contents

|  |           |   |           |
|--|-----------|---|-----------|
| <b>Functional Overview</b> .....       | <b>4</b>  | <b>Acronyms</b> .....                                 | <b>36</b> |
| USB-PD Subsystem (SS).....             | 4         | <b>Document Conventions</b> .....                     | <b>37</b> |
| CPU and Memory Subsystem .....         | 6         | Units of Measure .....                                | 37        |
| <b>Power System Overview</b> .....     | <b>7</b>  | References and Links To Applications Collaterals .... | 38        |
| Peripherals .....                      | 8         | <b>Document History Page</b> .....                    | <b>39</b> |
| GPIO .....                             | 8         | <b>Sales, Solutions, and Legal Information</b> .....  | <b>42</b> |
| <b>Pinouts</b> .....                   | <b>9</b>  | Worldwide Sales and Design Support.....               | 42        |
| <b>Application Diagrams</b> .....      | <b>16</b> | Products .....  | 42        |
| <b>Electrical Specifications</b> ..... | <b>21</b> | PSoC® Solutions .....                                 | 42        |
| Absolute Maximum Ratings.....          | 21        | Cypress Developer Community.....                      | 42        |
| Device-Level Specifications .....      | 22        | Technical Support .....                               | 42        |
| Digital Peripherals .....              | 24        |   |           |
| System Resources .....                 | 26        |   |           |
| <b>Ordering Information</b> .....      | <b>33</b> |   |           |
| Ordering Code Definitions .....        | 33        |   |           |
| <b>Packaging</b> .....                 | <b>34</b> |   |           |

## Functional Overview

### USB-PD Subsystem (SS)

#### USB-PD Physical Layer

The CCG5 has two USB-PD subsystems consisting of the USB-PD physical layer (PHY) block and supporting circuits. The USB-PD PHY consists of a transmitter and receiver that communicate BMC and 4b/5b encoded data over the CC channel based on the PD 3.0 standard. All communication is half-duplex. The PHY practices collision avoidance to minimize communication errors on the channel.

In addition, the CCG5 USB-PD block includes all termination resistors ( $R_P$  and  $R_D$ ) and their switches as required by the USB Type-C spec.  $R_P$  and  $R_D$  resistors are required to implement connection detection, plug orientation detection, and for establishing the USB source/sink roles.

The integrated  $R_P$  resistor enables CCG5 to be configured as a DFP. The  $R_P$  resistor is implemented as a current source and can be programmed to support the complete range of current capacity on the VBUS defined in the USB Type-C Spec.

The  $R_D$  resistor is used to identify CCG5 as a UFP in a DRP application. The  $R_D$  resistor on CC pins is required even when the part is not powered for dead battery termination detection and charging.

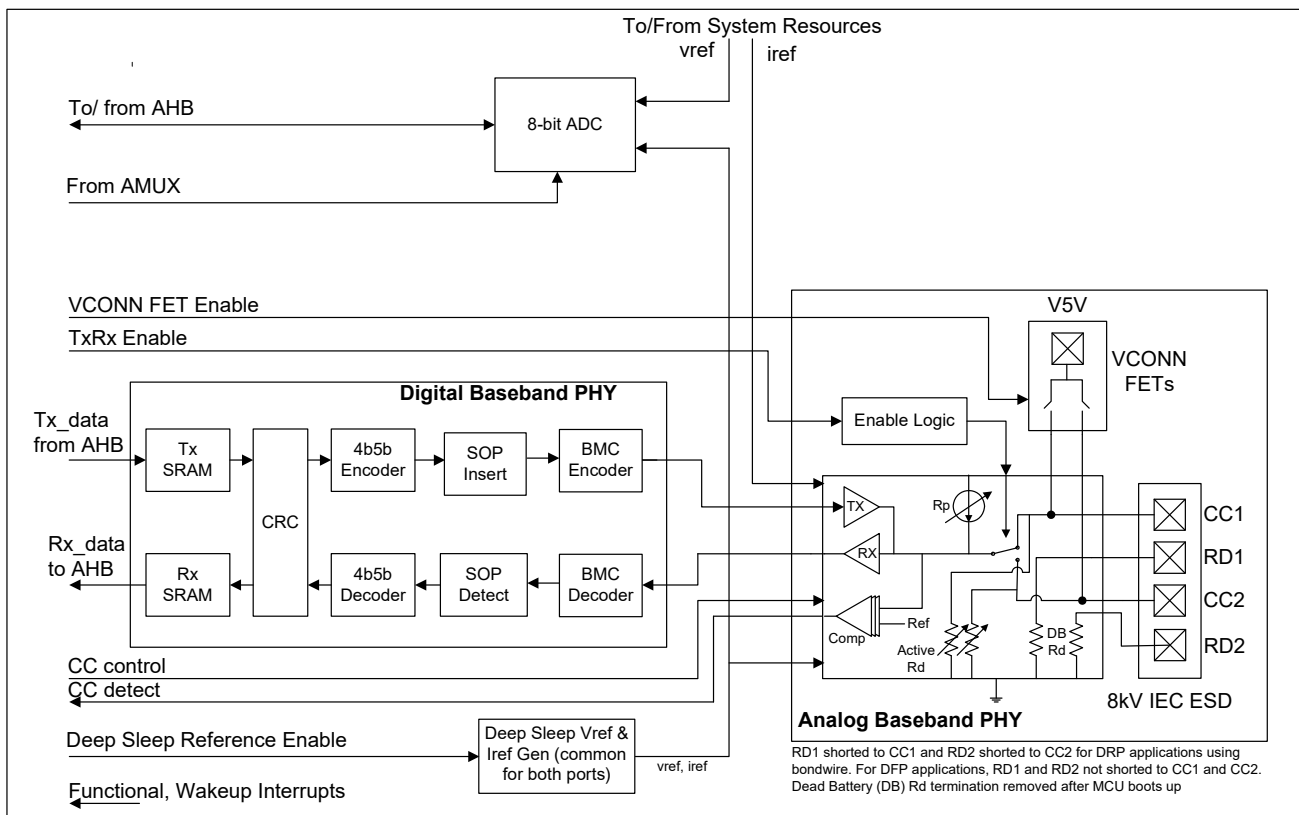
To support the latest USB-PD 3.0 specification, CCG5 has implemented the Fast Role Swap (FRS) feature. The FRS feature enables externally powered docks and hubs to rapidly switch to bus power when their external power supply is removed. CCG5 also supports DeepSleep in notebook systems where CCG5 is expecting FRS detection.

For more details, refer to Section 6.3.17 in the [USB-PD 3.0 specification](#).

CCG5 is designed to be fully interoperable with revision 3.0 of the USB Power Delivery specification as well as revision 2.0 of the USB Power Delivery specification.

CCG5 supports Extended Messages containing data of up to 260 bytes. The Extended Messages will be larger than expected by the USB-PD 2.0 hardware. To accommodate Revision 2.0 based systems, a Chunking mechanism is implemented such that messages are limited to Revision 2.0 sizes unless it is discovered that both systems support longer message lengths.

**Figure 1. USB-PD Subsystem**



**VCONN FET**

CCG5 has two power supply inputs, V5V\_P1 and V5V\_P2 pins, for providing power to EMCA cables through integrated VCONN FETs. There are two VCONN FETs for each PD port to power either CC1 or CC2 pins. These FETs can provide 1.5-W power over VCONN on the CC1 and CC2 pins for the EMCA cables. CCG5 also supports integrated OCP on VCONN.

**ADC**

The USB-PD subsystem contains one 8-bit successive approximation register (SAR) for analog-to-digital conversions (ADC). The ADCs include an 8-bit DAC and a comparator. The DAC output forms the positive input of the comparator. The negative input of the comparator is from a 4-input multiplexer. The four inputs of the multiplexer are a pair of global analog multiplex busses, an internal bandgap voltage, and an internal voltage proportional to the absolute temperature. All GPIOs on the chip

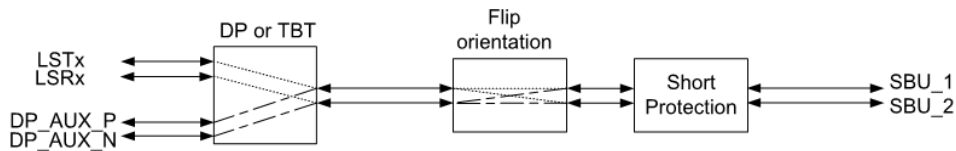
have access to the ADCs through the chip-wide analog mux bus. The CC1 and CC2 pins of both Type-C ports are not available to connect to the mux bus.

**SBU Mux**

The SBU switch mux contains 2x1 Mux and a single 2x2 cross bar SBU switch per the Type-C port. The 2x1 MUX enables you to select between the Display Port or Thunderbolt alternate mode and the single-ended 2x2 switch enables you to route signals to the appropriate SBU1/2 based on CC (Type-C plug) orientation.

The AUX port of the SBU switch supports only differential signals. Non-differential signals on the AUX port cause signal coupling at the output of the SBU switch. The LS port of the SBU switch supports both non-differential and differential signals.

**Figure 2. CCG5 SBU Crossbar Switch Block Diagram**



**USB HS Mux**

The HS Mux contains a 2x2 cross bar switch to route the system D± lines to the Type-C top or bottom ports based on the CC (Type-C plug) orientation. The unused D± top or bottom lines can be connected to a UART (Debug) port. The maximum operating frequency of UART must be 1 Mbps.

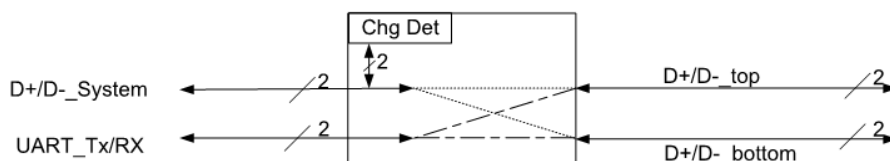
The HS Mux also contains charger detection/emulation for detecting USB BC 1.2 (source only) and Apple terminations. The charger detection block is connected to the D± from the system as shown in Figure 3.

To meet the HS eye diagram requirements with sufficient margin, follow these guidelines:

- Trace lengths of HS signals shall be no more than 2 inches from the USB 2.0 host to the CCG5 device. Similarly, trace length from the CCG5 device to Type-C connector pins shall be no more than 2 inches.
- The differential impedance across the DP/DM signal traces shall be 90 Ω.
- Trace width shall be 6 mils.
- Air Gap (distance between lines) shall be 8 mils.

Increasing the trace length by more than 2 inches on either side of the CCG5 device degrades the HS eye diagram.

**Figure 3. CCG5 DP/DM Switch Block Diagram**



**Overvoltage and Undervoltage Protection on VBUS**

CCG5 implements an undervoltage/overvoltage (UV/OV) detection circuit for the VBUS supply. The threshold for OV and UV detection can be set independently. Both UV and OV detector have programmable thresholds and is controlled by the firmware.

**Overcurrent Protection on VBUS**

CCG5 integrates a high-side current sense amplifier to detect overcurrent on the VBUS. Overcurrent protection is enabled by sensing the current through the 10-mΩ sense resistor connected between the “CSP\_Px” and “CSN\_Px” pins.

**VBUS Discharge**

CCG5 also has integrated VBUS discharge FETs and resistors for each port. It is used to discharge VBUS to meet the USB-PD specification timing on a detach condition and negative voltage transition.

### *VBUS Regulator*

CCG5 can operate from three power supplies –  $V_{SYS}$ ,  $V_{BUS\_P1}$ , and  $V_{BUS\_P2}$ . CCG5 integrates the regulator (that supports up to 21.5 V) to derive operating supply voltage. The  $V_{SYS}$  always takes priority over  $V_{BUS\_P1}/V_{BUS\_P2}$ . In the absence of  $V_{SYS}$ , the regulator powers CCG5 either from  $V_{BUS\_P1}$  or  $V_{BUS\_P2}$ .

### *PFET Gate Driver for VBUS*

CCG5 supports the consumer-side and provider-side external power FET Drivers for PFET. The  $V_{BUS\_P\_CTRL}$  and  $V_{BUS\_C\_CTRL}$  gate drivers can drive only low or high-Z, thus requiring an external pull-up. These pins are VBUS voltage-tolerant.

### *Charger Detect*

CCG5 integrates battery charger emulation and detection for USB BC.1.2, Apple charge (source only).

### *IEC Compliant VBUS, CC, D±, and SBU Lines*

The chip supports IEC-compliant ESD protection on VBUS, CC, D±, and SBU lines.

### *High-Voltage Tolerant SBU and CC Lines*

The chip supports high-voltage tolerant SBU and CC lines. In the case of SBU/CC short to VBUS through connectors, these lines will be protected internally.

## **CPU and Memory Subsystem**

### *CPU*

The Cortex-M0 CPU in EZ-PD CCG5 is part of the 32-bit MCU subsystem, which is optimized for low-power operation with extensive clock gating.

The CPU also includes a serial wire debug (SWD) interface, which is a 2-wire form of JTAG. The debug configuration used for EZ-PD CCG5 has four break-point (address) comparators and two watchpoint (data) comparators.

### *Flash*

The EZ-PD CCG5 device has a flash module with a flash accelerator, tightly coupled to the CPU to improve average access times from the flash block. The flash block is designed to deliver two wait states (WS) access time at 48 MHz. The flash accelerator delivers 85% of single-cycle SRAM access performance on average. Part of the flash module can be used to emulate EEPROM operation if required.

### *SRAM*

A supervisory ROM that contains boot and configuration routines is provided.

### *SRAM*

CCG5 supports 12-KB SRAM.

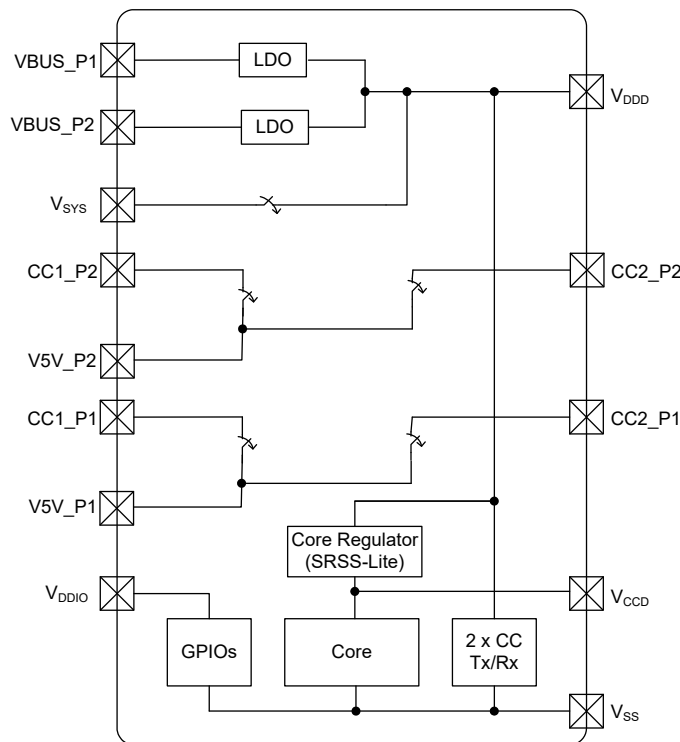
## Power System Overview

Figure 4 provides an overview of the EZ-PD CCG5 power system. CCG5 can operate from three possible external supply sources:  $V_{BUS\_P1}/V_{BUS\_P2}$  (4 V–21.5 V) or  $V_{SYS}$  (2.75 V–5.5 V). The  $V_{BUS\_P1}$  and  $V_{BUS\_P2}$  supply is regulated inside the chip with a LDO. The switched supply,  $V_{DDD}$ , is either used directly inside some analog blocks or further regulated down to  $V_{CCD}$ , which powers majority of the core using the regulators. CCG5 has two different power modes: Active and Deep sleep. Transitions between these power modes are managed by the power system. A separate power domain,  $V_{DDIO}$ , is provided for the GPIOs. The  $V_{DDD}$  and  $V_{CCD}$  pins, both outputs of regulators, are brought out for connecting a 1  $\mu$ F and 0.1  $\mu$ F capacitor respectively for the regulator stability only. The  $V_{CCD}$  pin is not supported as a power supply.  $V_{DDD}$  can source 2 mA (max) for external load.

Table 1. CCG5 Power Modes

| Mode       | Description  |
|------------|--|
| RESET      | Power is valid and XRES is not asserted. An internal reset source is asserted or Sleep Controller is sequencing the system out of reset. |
| ACTIVE     | Power is valid and CPU is executing instructions.  |
| DEEP SLEEP | Main regulator and most blocks are shut off. Deep Sleep regulator powers logic, but only low-frequency clock if available.               |

Figure 4. EZ-PD CCG5 Power System



## Peripherals

### *Serial Communication Blocks (SCB)*

EZ-PD CCG5 has four SCBs, which can be configured to implement an I<sup>2</sup>C, SPI, or UART interface. The hardware I<sup>2</sup>C blocks implement full multi-master and slave interfaces capable of multimaster arbitration. In the SPI mode, the SCB blocks can be configured to act as a Master/slave.

In the I<sup>2</sup>C mode, the SCB blocks are capable of operating at speeds up to 1 Mbps (Fast Mode Plus) and have flexible buffering options to reduce interrupt overhead and latency for the CPU. These blocks also support I<sup>2</sup>C that creates a mailbox address range in the memory of EZ-PD CCG5 and effectively reduce I<sup>2</sup>C communication to reading from and writing to an array in memory. In addition, the blocks support 8-deep FIFOs for receive and transmit which, by increasing the time given for the CPU to read data, greatly reduce the need for clock stretching caused by the CPU not having read data on time.

The I<sup>2</sup>C peripherals are compatible with the I<sup>2</sup>C Standard-mode, Fast-mode, and Fast-mode Plus devices as defined in the NXP I<sup>2</sup>C-bus specification and user manual (UM10204). The I<sup>2</sup>C bus I/Os are implemented with GPIO in open-drain modes.

The I<sup>2</sup>C port on SCB 2, SCB 3 and SCB 4 blocks of EZ-PD CCG5 are not completely compliant with the I<sup>2</sup>C spec in the following:

- The GPIO cells for SCB 2 to SCB 4 I<sup>2</sup>C port are not overvoltage-tolerant and, therefore, cannot be hot-swapped or powered up independently of the rest of the I<sup>2</sup>C system.
- Fast-mode Plus has an I<sub>OL</sub> specification of 20 mA at a V<sub>OL</sub> of 0.4 V. The GPIO cells can sink a maximum of 10-mA I<sub>OL</sub> with a V<sub>OL</sub> maximum of 0.6 V.
- Fast-mode and Fast-mode Plus specify minimum Fall times, which are not met with the GPIO cell; Slow strong mode can help meet this spec depending on the bus load.

### *Timer/Counter/PWM Block (TCPWM)*

EZ-PD CCG5 has up to two TCPWM blocks. Each implements a 16-bit timer, counter, pulse-width modulator (TCPWM), and quadrature decoder functionality. The block can be used to measure the period and pulse width of an input signal (timer), find the number of times a particular event occurs (counter), generate PWM signals, or decode quadrature signals.

## GPIO

EZ-PD CCG5 has 28 GPIOs that includes the I<sup>2</sup>C and SWD pins, which can also be used as GPIOs. The I<sup>2</sup>C pins from only SCB 1 are overvoltage-tolerant. The number of available GPIOs vary with the part numbers. The GPIO block implements the following:

- Seven drive strength modes:
  - Input only
  - Weak pull-up with strong pull-down
  - Strong pull-up with weak pull-down
  - Open drain with strong pull-down
  - Open drain with strong pull-up
  - Strong pull-up with strong pull-down
  - Weak pull-up with weak pull-down
- Input threshold select (CMOS or LVTTTL)
- Individual control of input and output buffer enabling/disabling in addition to the drive strength modes
- Hold mode for latching previous state (used for retaining I/O state in Deep Sleep mode)
- Selectable slew rates for dV/dt related noise control to improve EMI

During power-on and reset, the I/O pins are forced to the disable state so as not to crowbar any inputs and/or cause excess turn-on current. A multiplexing network known as a high-speed I/O matrix is used to multiplex between various signals that may connect to an I/O pin.



## Pinouts

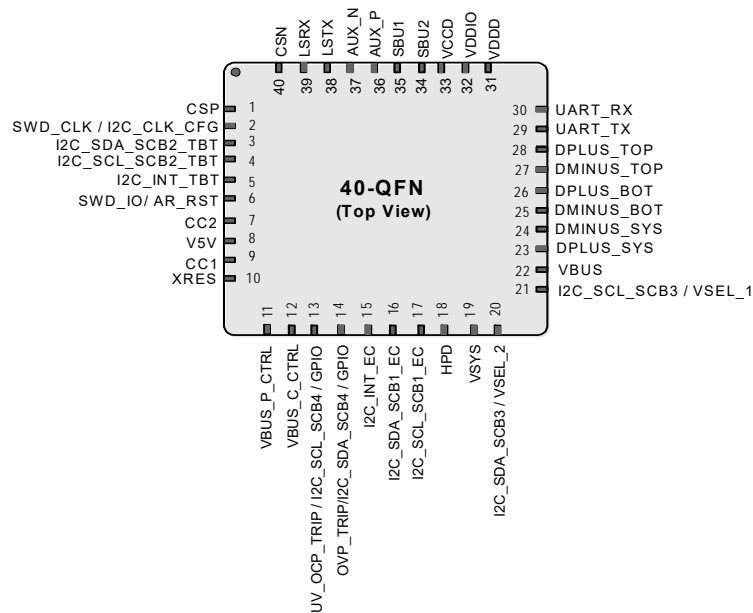
**Table 2. Pinout for CYPD5125-40LQXIT**

| Group Name                  | Pin Name                      | Port   | Pin | Description   |
|-----------------------------|-------------------------------|--------|-----|---|
| USB Type-C                  | CC1                           | Analog | 9   | USB PD connector detect/Configuration Channel 1   |
|                             | CC2                           | Analog | 7   | USB PD connector detect/Configuration Channel 2   |
| Mux                         | DPLUS_SYS                     | Analog | 23  | USB 2.0 DP from the Host System   |
|                             | DMINUS_SYS                    | Analog | 24  | USB 2.0 DM from the Host System   |
|                             | UART_TX/GPIO                  | P4.0   | 29  | UART TX from Host System/GPIO   |
|                             | UART_RX/GPIO                  | P4.1   | 30  | UART RX from Host System/GPIO   |
|                             | DPLUS_BOT                     | Analog | 26  | USB 2.0 DP from Bottom of Type-C Connector  |
|                             | DMINUS_BOT                    | Analog | 25  | USB 2.0 DM from Bottom of Type-C Connector  |
|                             | DMINUS_TOP                    | Analog | 27  | USB 2.0 DM from Top of Type-C Connector   |
|                             | DPLUS_TOP                     | Analog | 28  | USB 2.0 DP from Top of Type-C Connector   |
|                             | SBU2                          | Analog | 34  | Sideband Use signal   |
|                             | SBU1                          | Analog | 35  | Sideband Use signal   |
|                             | AUX_P                         | Analog | 36  | Auxiliary signal for DisplayPort  |
|                             | AUX_N                         | Analog | 37  | Auxiliary signal for DisplayPort  |
|                             | LSTX                          | Analog | 38  | Thunderbolt Link Management UART Rx   |
|                             | LSRX                          | Analog | 39  | Thunderbolt Link Management UART Tx   |
| VBUS Control                | VBUS_P_CTRL                   | Analog | 11  | Full rail control I/O for enabling/disabling Provider load PFET of USB Type-C Port 1<br>0: Path ON<br>High Z: Path OFF  |
|                             | VBUS_C_CTRL                   | Analog | 12  | Full rail control I/O for enabling/disabling Consumer load PFET of USB Type-C port1<br>0: Path ON<br>High Z: Path OFF   |
| VBUS OCP                    | CSP                           | Analog | 1   | Current Sense positive Input for VBUS side external Rsense  |
|                             | CSN                           | Analog | 40  | Current sense negative for other side of external Rsense  |
| GPIOs and Serial Interfaces | SWD_IO/AR_RST/GPIO            | P1.6   | 6   | SWD I/O/GPIO  |
|                             | SWD_CLK/I2C_CFG_EC/ GPIO      | P1.0   | 2   | SWD Clock/ I <sup>2</sup> C config line.<br>I <sup>2</sup> C config line is used to select the I <sup>2</sup> C address of HPI interface.<br>The state of line decides the 7 bit I <sup>2</sup> C address for HPI.<br>I <sup>2</sup> C Config Line Floating: 0x08<br>Pulled up with 1 KW: 0x42<br>Pulled down with 1 KW: 0x40 |
|                             | I2C_SDA_SCB2_TBT/GPIO         | P1.1   | 3   | SCB2 I <sup>2</sup> C Data/GPIO   |
|                             | I2C_SCL_SCB2_TBT/GPIO         | P1.2   | 4   | SCB2 I <sup>2</sup> C Clock/GPIO  |
|                             | I2C_INT_TBT/GPIO              | P1.3   | 5   | TBT interrupt for port 1/GPIO   |
|                             | OVP_TRIP/I2C_SDA_SCB4/GPIO    | P2.4   | 14  | VBUS overvoltage output indicator for port 1/SCB4 I <sup>2</sup> C Data   |
|                             | UV_OCP_TRIP/I2C_SCL_SCB4/GPIO | P2.3   | 13  | VBUS undervoltage or OCP Output Indicator for Port1 / SCB4 I <sup>2</sup> C Clock / GPIO  |
|                             | I2C_SDA_SCB1_EC/GPIO          | P5.0   | 16  | SCB1 I <sup>2</sup> C Data / GPIO   |
|                             | I2C_SCL_SCB1_EC/GPIO          | P5.1   | 17  | SCB1 I <sup>2</sup> C Clock / GPIO  |
|                             | I2C_INT_EC/GPIO               | P2.5   | 15  | Embedded Controller interrupt/GPIO  |
|                             | HPD/GPIO                      | P3.0   | 18  | Hot Plug Detect I/O for port 1/GPIO   |
|                             | I2C_SDA_SCB3 / GPIO / VSEL_2  | P3.6   | 20  | SCB3 I <sup>2</sup> C Data or GPIO or voltage selection control for VBUS  |
|                             | I2C_SCL_SCB3 / GPIO /VSEL_1   | P3.7   | 21  | SCB3 I <sup>2</sup> C Clock or GPIO or voltage selection control for VBUS   |
| Reset                       | XRES                          | Analog | 10  | Reset input (Active LOW)  |

**Table 2. Pinout for CYPD5125-40LQXIT (continued)**

| Group Name | Pin Name | Port   | Pin  | Description   |
|------------|----------|--------|------|---|
| Power      | VBUS     | Power  | 22   | VBUS Input for Port 1 (4 V to 21.5 V)   |
|            | VSYS     | Power  | 19   | 2.75 V to 5.5 V supply for the system   |
|            | VDDD     | Power  | 31   | VDDD supply output<br>1. VSYS powered - (Min: VSYS-50 mV) 2.7 V to 5.5 V<br>2. VBUS powered - 3.15 V to 3.6 V |
|            | VDDIO    | Power  | 32   | At system-level short the VDDD to VDDIO   |
|            | VCCD     | Power  | 33   | 1.8 V regulator output for filter capacitor. This pin cannot drive external load.                             |
|            | V5V      | Power  | 8    | 4.85 V to 5.5 V supply for VCONN FET of Type-C Port 1   |
| Ground     | VSS      | Ground | EPAD | Ground  |

**Figure 5. 40-Pin QFN Pin Map (Top View) for CYPD5125-40LQXIT**



**Table 3. Pinout for CYPD5225-96BZXI, CYPD5235-96BZXI, and CYPD5236-96BZXI**

| Group Name                | Pin Name        | Port   | Ball Location                           | Description  |
|---------------------------|-----------------|--------|---|--|
| USB Type-C Port 1         | CC1_P1          | Analog | K2                                      | USB PD connector detect/Configuration Channel 1  |
|                           | CC2_P1          | Analog | H2                                      | USB PD connector detect/Configuration Channel 2  |
| USB Type-C Port 2         | CC1_P2          | Analog | K9                                      | USB PD connector detect/Configuration Channel 1  |
|                           | CC2_P2          | Analog | K10                                     | USB PD connector detect/Configuration Channel 2  |
| MUX Type-C Port 1         | AUX_P_P1        | Analog | B11                                     | Auxiliary signal for DisplayPort   |
|                           | AUX_N_P1        | Analog | C11                                     | Auxiliary signal for DisplayPort   |
|                           | LSRX_P1         | Analog | A11                                     | Thunderbolt Link Management UART Rx  |
|                           | LSTX_P1         | Analog | A10                                     | Thunderbolt Link Management UART Tx  |
|                           | SBU1_P1         | Analog | A3                                      | Sideband Use signal  |
|                           | SBU2_P1         | Analog | A4                                      | Sideband Use signal  |
|                           | DMINUS_SYS_P1   | Analog | A7                                      | USB 2.0 DM from the Host System  |
|                           | DPLUS_SYS_P1    | Analog | A6                                      | USB 2.0 DP from the Host System  |
|                           | UART_RX_P1/GPIO | P4.1   | A9                                      | UART Rx from Host System/GPIO  |
|                           | UART_TX_P1/GPIO | P4.0   | A8                                      | UART Tx from Host system/GPIO  |
|                           | DMINUS_BOT_P1   | Analog | C1                                      | USB 2.0 DM from Bottom of Type-C Connector   |
|                           | DPLUS_BOT_P1    | Analog | B1                                      | USB 2.0 DP from Bottom of Type-C Connector   |
|                           | DMINUS_TOP_P1   | Analog | A2                                      | USB 2.0 DM from Top of Type-C Connector  |
| DPLUS_TOP_P1              | Analog          | A1     | USB 2.0 DP from Top of Type-C Connector |  |
| MUX Type-C Port 2         | AUX_P_P2        | Analog | D11                                     | Auxiliary signal for DisplayPort   |
|                           | AUX_N_P2        | Analog | E11                                     | Auxiliary signal for DisplayPort   |
|                           | LSRX_P2         | Analog | L11                                     | Thunderbolt Link Management UART Rx  |
|                           | LSTX_P2         | Analog | K11                                     | Thunderbolt Link Management UART Tx  |
|                           | SBU1_P2         | Analog | E1                                      | Sideband Use signal  |
|                           | SBU2_P2         | Analog | F1                                      | Sideband Use signal  |
|                           | DMINUS_SYS_P2   | Analog | G11                                     | USB 2.0 DM from the Host System  |
|                           | DPLUS_SYS_P2    | Analog | F11                                     | USB 2.0 DP from the Host System  |
|                           | UART_RX_P2/GPIO | P0.2   | J11                                     | UART Rx from Host System/GPIO  |
|                           | UART_TX_P2/GPIO | P0.1   | H11                                     | UART Tx from Host system/GPIO  |
|                           | DMINUS_BOT_P2   | Analog | L1                                      | USB 2.0 DM from Bottom of Type-C Connector   |
|                           | DPLUS_BOT_P2    | Analog | K1                                      | USB 2.0 DP from Bottom of Type-C Connector   |
|                           | DMINUS_TOP_P2   | Analog | H1                                      | USB 2.0 DM from Top of Type-C Connector  |
| DPLUS_TOP_P2              | Analog          | G1     | USB 2.0 DP from Top of Type-C Connector |  |
| VBUS Control Type-C Port1 | VBUS_P_CTRL_P1  | Analog | K3                                      | Full rail control I/O for enabling/disabling Provider load PFET of USB Type-C Port 1<br>0: Path ON<br>High Z: Path OFF |
|                           | VBUS_C_CTRL_P1  | Analog | K4                                      | Full rail control I/O for enabling/disabling Consumer load PFET of USB Type-C Port 1<br>0: Path ON<br>High Z: Path OFF |

**Table 3. Pinout for CYPD5225-96BZXI, CYPD5235-96BZXI, and CYPD5236-96BZXI (continued)**

| Group Name                  | Pin Name                        | Port   | Ball Location | Description  |                          |
|-----------------------------|---------------------------------|--------|---------------|--|--------------------------|
| VBUS Control Type-C Port2   | VBUS_P_CTRL_P2                  | Analog | B4            | Full rail control I/O for enabling/disabling Provider load PFET of USB Type-C Port 2.<br>0: Path ON<br>High Z: Path OFF  |                          |
|                             | VBUS_C_CTRL_P2                  | Analog | B5            | Full rail control I/O for enabling/disabling Consumer load PFET of USB Type-C Port 2.<br>0: Path ON<br>High Z: Path OFF  |                          |
| VBUS OCP                    | CSP_P1                          | Analog | J1            | Current Sense Positive Input for P1  |                          |
|                             | CSN_P1                          | Analog | B3            | Current Sense Negative Input for P1  |                          |
|                             | CSP_P2                          | Analog | L2            | Current Sense Positive Input for P2  |                          |
|                             | CSN_P2                          | Analog | K8            | Current Sense Negative Input for P2  |                          |
| GPIOs and Serial Interfaces | GPIO                            | P3.1   | L7            | GPIO   |                          |
|                             | I2C_SDA_SCB4/OVP_TRIP_P1/GPIO   | P2.4   | K5            | VBUS overvoltage output indicator for Port 1 / SCB4 I2C Data/GPIO  |                          |
|                             | OVP_TRIP_P2 / GPIO              | P2.2   | L8            | VBUS overvoltage output indicator for Port 2 / GPIO  |                          |
|                             | VSEL_1_P2 / GPIO                | P0.0   | L4            | Voltage selection control for VBUS on Port 2 / GPIO  |                          |
|                             | UV_OCP_TRIP_P1/GPIO             | P1.4   | B6            | VBUS undervoltage of OCP output indicator for Port 1/GPIO  |                          |
|                             | HPD_P1/GPIO                     | P3.0   | K7            | Hot Plug Detect I/O for Port 1 / GPIO  |                          |
|                             | HPD_P2/GPIO                     | P3.4   | E10           | Hot Plug Detect I/O for Port 2 /GPIO   |                          |
|                             | VCONN_OCP_TRIP_P2/GPIO          | P3.3   | B9            | VCONN OCP output indicator for Port 2 / GPIO   |                          |
|                             | VCONN_OCP_TRIP_P1/GPIO          | P3.5   | B8            | VCONN OCP output indicator for Port 1/ GPIO  |                          |
|                             | UV_OCP_TRIP_P2/GPIO             | P1.5   | B7            | VBUS undervoltage or OCP output indicator for Port 2/GPIO  |                          |
|                             | VSEL_2_P2 / GPIO                | P2.0   | H10           | Voltage selection control for VBUS on Port 2 / GPIO  |                          |
|                             | I2C_SCL_SCB1_EC/GPIO            | P5.1   | L6            | SCB1 I <sup>2</sup> C Clock  |                          |
|                             | I2C_SDA_SCB1_EC/GPIO            | P5.0   | K6            | SCB1 I <sup>2</sup> C Data   |                          |
|                             | I2C_INT_EC/GPIO                 | P2.5   | L5            | I <sup>2</sup> C interrupt line  |                          |
|                             | I2C_SCL_SCB2_TBT/GPIO           | P1.2   | E2            | SCB2 I <sup>2</sup> C Clock/GPIO   |                          |
|                             | I2C_SDA_SCB2_TBT/GPIO           | P1.1   | D2            | SCB2 I <sup>2</sup> C Data /GPIO   |                          |
|                             | I2C_INT_TBT_P1/GPIO             | P1.3   | F2            | I <sup>2</sup> C interrupt line/GPIO   |                          |
|                             | I2C_INT_TBT_P2/GPIO             | P2.1   | G2            | I <sup>2</sup> C interrupt line  |                          |
|                             | I2C_SCL_SCB3 / VSEL_1_P1 /GPIO  | P3.7   | L10           | SCB3 I <sup>2</sup> C Clock/ Voltage selection control for VBUS on Port 1/ GPIO  |                          |
|                             | I2C_SDA_SCB3 / VSEL_2_P1 / GPIO | P3.6   | J10           | SCB3 I <sup>2</sup> C Data / Voltage selection control for VBUS on Port 1 /GPIO  |                          |
|                             | I2C_SCL_SCB4/GPIO               | P2.3   | F10           | SCB4 I <sup>2</sup> C Clock /GPIO  |                          |
|                             | I2C_SDA_SCB4/GPIO               | P3.2   | G10           | SCB4 I <sup>2</sup> C Data /GPIO   |                          |
|                             | SWD_IO/AR_RST#/GPIO             | P1.6   | B2            | SWD I/O / AR Reset / GPIO  |                          |
|                             | SWD_CLK/I2C_CFG_EC/GPIO         | P1.0   | C2            | SWD Clock / I <sup>2</sup> C config line / GPIO.<br>I <sup>2</sup> C config line is used to select the I <sup>2</sup> C address of HPI interface. The state of line decides the 7 bit I <sup>2</sup> C address for HPI.<br>I <sup>2</sup> C Config Line Floating: 0x08<br>Pulled up with 1 KW: 0x42<br>Pulled down with 1 KW: 0x40 |                          |
|                             | Reset                           | XRES   | Analog        | H6   | Reset input (Active LOW) |

**Table 3. Pinout for CYPD5225-96BZXI, CYPD5235-96BZXI, and CYPD5236-96BZXI (continued)**

| Group Name | Pin Name | Port   | Ball Location | Description   |
|------------|----------|--------|---------------|---|
| Power      | VBUS_P1  | Power  | D1            | VBUS Input for Port 1 (4 V to 21.5 V)   |
|            | VBUS_P2  | Power  | L3            | VBUS Input for Port 2 (4 V to 21.5 V)   |
|            | VSYS     | Power  | A5            | 2.75 V to 5.5 V supply for the system   |
|            | VDDD     | Power  | D10           | VDDD supply output<br>1. VSYS powered - (Min: VSYS-50 mV) 2.7 V to 5.5 V<br>2. VBUS powered - 3.15 V to 3.6 V |
|            | VCCD     | Power  | B10           | 1.8 V regulator output for filter capacitor. This pin cannot drive external load.                             |
|            | VDDIO    | Power  | C10           | At system-level short the VDDD to VDDIO   |
|            | V5V_P1   | Power  | J2            | 4.85 V to 5.5 V supply for VCONN FET of Type-C Port 1   |
|            | V5V_P2   | Power  | L9            | 4.85 V to 5.5 V supply for VCONN FET of Type-C Port 2   |
| Ground     | GND      | Ground | D5            | Ground  |
|            | GND      | Ground | D6            | Ground  |
|            | GND      | Ground | D7            | Ground  |
|            | GND      | Ground | D8            | Ground  |
|            | GND      | Ground | E4            | Ground  |
|            | GND      | Ground | E5            | Ground  |
|            | GND      | Ground | E6            | Ground  |
|            | GND      | Ground | E7            | Ground  |
|            | GND      | Ground | E8            | Ground  |
|            | GND      | Ground | F4            | Ground  |
|            | GND      | Ground | F5            | Ground  |
|            | GND      | Ground | F6            | Ground  |
|            | GND      | Ground | F7            | Ground  |
|            | GND      | Ground | F8            | Ground  |
|            | GND      | Ground | G4            | Ground  |
|            | GND      | Ground | G5            | Ground  |
|            | GND      | Ground | G6            | Ground  |
|            | GND      | Ground | G7            | Ground  |
| GND        | Ground   | H7     | Ground        |   |
| No Connect | NC       | DNU    | G8            | Not Connect   |
|            | NC       | DNU    | H4            | Not Connect   |
|            | NC       | DNU    | H5            | Not Connect   |
|            | NC       | DNU    | H8            | Not Connect   |

Figure 6. 96-Pin BGA Pin Map for CYPD5225-96BZXI, CYPD5235-96BZXI, and CYPD5236-96BZXI

|   | 1               | 2                         | 3               | 4               | 5                                | 6                        | 7                     | 8                        | 9                        | 10                      | 11               |
|---|-----------------|---------------------------|-----------------|-----------------|----------------------------------|--------------------------|-----------------------|--------------------------|--------------------------|-------------------------|------------------|
| A | DPLUS_TO_P_P1   | DMIN-US_TOP_P1            | SBU1_P1         | SBU2_P1         | VSYS                             | DPLUS_SY S_P1            | DMIN-US_SYS-_P1       | UART_Tx-_P1 / P4.0       | UART_Rx-_P1 / P4.1       | LSTx_P1                 | LSRx_P1          |
| B | DPLUS_BO T_P1   | SWD_DATA/ TBT_RST# / P1.6 | CSN_P1          | VBUS_P C-TRL_P2 | VBUS_C C-TRL_P2                  | P1.4 / UV_OCP_T RIP_P1   | P1.5 / UV_OC_TRI P_P2 | P3.5 / VCON_OCP _TRIP_P1 | P3.3 / VCON_OCP _TRIP_P2 | VCCD                    | AUX_P_P1         |
| C | DMIN-US_BOT_P 1 | SWD_CLK/ I2C_CFG_EC/ P1.0 |                 |                 |                                  |                          |                       |                          |                          | VDDIO                   | AUX_N_P1         |
| D | VBUS_P1         | I2C S-DA_SCB2_TB T/ P1.1  |                 |                 | GND                              | GND                      | GND                   | GND                      |                          | VDDD                    | AUX_P_P2         |
| E | SBU1_P2         | I2C S-CL_SCB2_TB T/ P1.2  |                 | GND             | GND                              | GND                      | GND                   | GND                      |                          | HPD_P2 / P3.4           | AUX_N_P2         |
| F | SBU2_P2         | I2C INT_TBT _P1/ P1.3     |                 | GND             | GND                              | GND                      | GND                   | GND                      |                          | SCL_4 / P2.3            | DPLUS_SY S-_P2   |
| G | DPLUS_TO P_P2   | I2C INT_TBT _P2/ P2.1     |                 | GND             | GND                              | GND                      | GND                   | DNU                      |                          | SDA_4 / P3.2            | DMIN-US_SYS_P2   |
| H | DMIN-US_TOP_P2  | CC2_P1                    |                 | DNU             | DNU                              | XRES                     | GND                   | DNU                      |                          | VSEL_2_P2/ P2.0         | UART_Tx_P2/ P0.1 |
| J | CSP_P1          | V5V_P1                    |                 |                 |                                  |                          |                       |                          |                          | SDA_3/ VSEL_2_P1/ P3.6  | UART_Rx_P2 /P0.2 |
| K | DPLUS_BO T_P2   | CC1_P1                    | VBUS_P C-TRL_P1 | VBUS_C C-TRL_P1 | I2C S-DA_SCB4/O VP_TRIP_P1 /P2.4 | I2C S-DA_SCB1_ EC / P5.0 | HPD_P1 / P3.0         | CSN_P2                   | CC1_P2                   | CC2_P2                  | LSTx_P2          |
| L | DMIN-US_BOT_P 2 | CSP_P2                    | VBUS_P2         | VSEL_1_P2 /P0.0 | I2C_INT_EC 7/P2.5                | I2C S-CL_SCB1_ EC / P5.1 | P3.1                  | OVP_TRIP_ P2/P2.2        | V5V_P2                   | SCL_3 / VSEL_1_P1/ P3.7 | LSRx_P2          |

|               |
|---------------|
| Type-C Port 1 |
| Type-C Port 2 |
| Power Pins    |
| GND           |
| GPIOs         |

Table 4 through Table 7 provide the various configuration options for the serial interfaces.

**Table 4. Serial Communication Block (SCB1) Configuration**

| QFN Pin | BGA Pin | UART          | SPI           | I <sup>2</sup> C | GPIO Functionality                             |
|---------|---------|---------------|---------------|------------------|--|
| 16      | K6      | –             | –             | I2C_SDA_SCB1     | GPIO   |
| 17      | L6      | –             | –             | I2C_SCL_SCB1     | GPIO   |
|         | B8      | UART_CTS_SCB1 | –             | –                | VCONN OCP output indicator for port 1/<br>GPIO |
| 20      | J10     | UART_TX_SCB1  | SPI_SEL_SCB1  | –                | I2C_SDA_SCB3/ VSEL_2_P1 /GPIO                  |
| 21      | L10     | UART_RX_SCB1  | SPI_MISO_SCB1 | –                | I2C_SCL_SCB3 / VSEL_1_P1/GPIO                  |
| 18      | K7      | UART_RTS_SCB1 | –             | –                | HPD_P1/GPIO                                    |
| 29      | A8      | –             | SPI_MOSI_SCB1 | –                | UART_TX_P1/GPIO                                |
| 30      | A9      | –             | SPI_CLK_SCB1  | –                | UART_RX_P1/GPIO                                |

**Note:** UART TX and RX of the SCB1 is also the I<sup>2</sup>C SDA and SCL of the SCB3. So if SCB 3 is in use, then SCB1 cannot be used for UART and SPI.

**Table 5. Serial Communication Block (SCB2) Configuration**

| QFN Pin | BGA Pin | UART          | SPI Master    | I <sup>2</sup> C Slave | GPIO Functionality      |
|---------|---------|---------------|---------------|------------------------|-------------------------|
| 2       | C2      | UART_RX_SCB2  | SPI_SEL_SCB2  | –                      | SWD_CLK/I2C_CFG_EC/GPIO |
| 3       | D2      | UART_TX_SCB2  | SPI_MOSI_SCB2 | I2C_SDA_SCB2           | I2C_SDA_SCB2_TBT/GPIO   |
| 4       | E2      | UART_CTS_SCB2 | SPI_MISO_SCB2 | I2C_SCL_SCB2           | I2C_SCL_SCB2_TBT/GPIO   |
| 5       | F2      | UART_RTS_SCB2 | SPI_CLK_SCB2  | –                      | I2C_INT_TBT_P1/GPIO     |

**Table 6. Serial Communication Block (SCB3) Configuration**

| QFN Pin | BGA Pin | UART          | SPI Master    | I <sup>2</sup> C Slave | GPIO Functionality            |
|---------|---------|---------------|---------------|------------------------|-------------------------------|
| 20      | J10     | –             | –             | I2C_SDA_SCB3           | UART_TX_SCB1/VSEL_2_P1 /GPIO  |
| 21      | L10     | –             | –             | I2C_SCL_SCB3           | UART_RX_SCB1 / VSEL_1_P1/GPIO |
|         | G2      | UART_CTS_SCB3 | SPI_MISO_SCB3 | –                      | I2C_INT_TBT_P2/GPIO           |
|         | H10     | UART_TX_SCB3  | SPI_MOSI_SCB3 | –                      | VSEL_2_P2 / GPIO              |
|         | L4      | UART_RX_SCB3  | SPI_SEL_SCB3  | –                      | VSEL_1_P2 / GPIO              |
|         | L8      | UART_RTS_SCB3 | SPI_CLK_SCB3  | –                      | OVP_TRIP_P2 / GPIO            |

**Table 7. Serial Communication Block (SCB4) Configuration**

| QFN Pin | BGA Pin | UART          | SPI Master    | I <sup>2</sup> C Slave | GPIO Functionality     |
|---------|---------|---------------|---------------|------------------------|------------------------|
| 13      | F10     | –             | –             | I2C_SCL_SCB4           | GPIO                   |
| 14      | G10     | UART_TX_SCB4  | SPI_MOSI_SCB4 | I2C_SDA_SCB4           | GPIO                   |
|         | L7      | UART_CTS_SCB4 | SPI_MISO_SCB4 | –                      | GPIO                   |
|         | B9      | UART_RX_SCB4  | SPI_SEL_SCB4  | –                      | VCONN_OCP_TRIP_P2/GPIO |
|         | E10     | UART_RTS_SCB4 | SPI_CLK_SCB4  | –                      | HPD_P2/GPIO            |

## Application Diagrams

Figure 8 and Figure 9 illustrate the Dual Type-C Port and Single Type-C port Thunderbolt Notebook DRP application diagrams using a CCG5 device respectively. The Type-C port can be used as a power provider/power consumer.

The CCG5 device communicates with the embedded controller (EC), which manages the Battery Charger Controller (BCC) to control the charging and discharging of the internal battery. It also updates the Thunderbolt Controller via I<sup>2</sup>C to route the High-speed signals coming from the Type-C port to the USB host (during normal mode) or the Graphics processor unit (during Display port Alternate mode) or the Thunderbolt Host (during Thunderbolt Alternate mode) based on the alternate mode negotiation.

For the dual Type-C notebook application (Figure 8), these Type-C ports can be power providers or power consumers simultaneously. The CCG5 device controls the transfer of USB 2.0 D± lines from the top and bottom of the Type-C receptacle to the D± lines of the USB Host controller. CCG5 also handles the routing of SBU1 and SBU2 lines from the Type-C receptacle to the Thunderbolt controller for the Link management. CCG5 offers ESD Protection on D± and SBU lines as well as VBUS Short protection on SBU and CC lines.

The CCG5 device has an integrated VCONN FET for applications that need to provide power for accessories and cables using the VCONN pin of the Type-C receptacle. VBUS FETs are also used for providing power over VBUS and for consuming power over VBUS. The 10 mΩ resistor between the 5 V supply and FETs is used for overcurrent detection on the VBUS. The VBUS\_P\_CTRL pin of CCG5 has an in-built VBUS monitoring circuit that can detect OVP and UVP on VBUS.

CCG5 also has an in-built VBUS discharge circuit that is used to quickly discharge VBUS after the Type-C connection is detached. The internal resistance (as listed in Table 41) of this VBUS discharge circuit is expected to be sufficient for typical CCG5 applications. However, customers can include an optional VBUS discharge circuit as shown in Figure 7 using any available GPIO. This optional circuit can be added to the design if the discharge time using the in-built VBUS discharge circuit needs to be further reduced; that is, VBUS transition time from higher to lower voltages can be further reduced using the external VBUS discharge circuit shown in Figure 7. This optional external circuit comprises of a N-channel MOSFET and the CCG5 device can be used to enable or disable it as appropriate.

**Figure 7. Optional External VBUS Discharge Circuit**

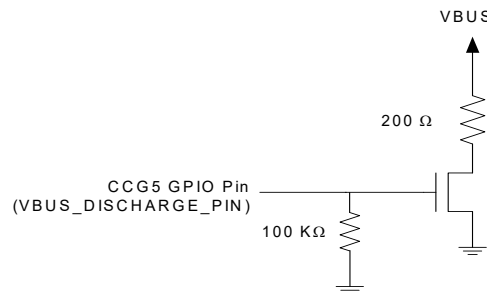






Figure 9 illustrates a Single Port Thunderbolt Notebook DRP application diagram using CYPD5125-40LQXIT.

Figure 9. CCG5 in a Single Port Notebook Application using CYPD5125-40LQXIT

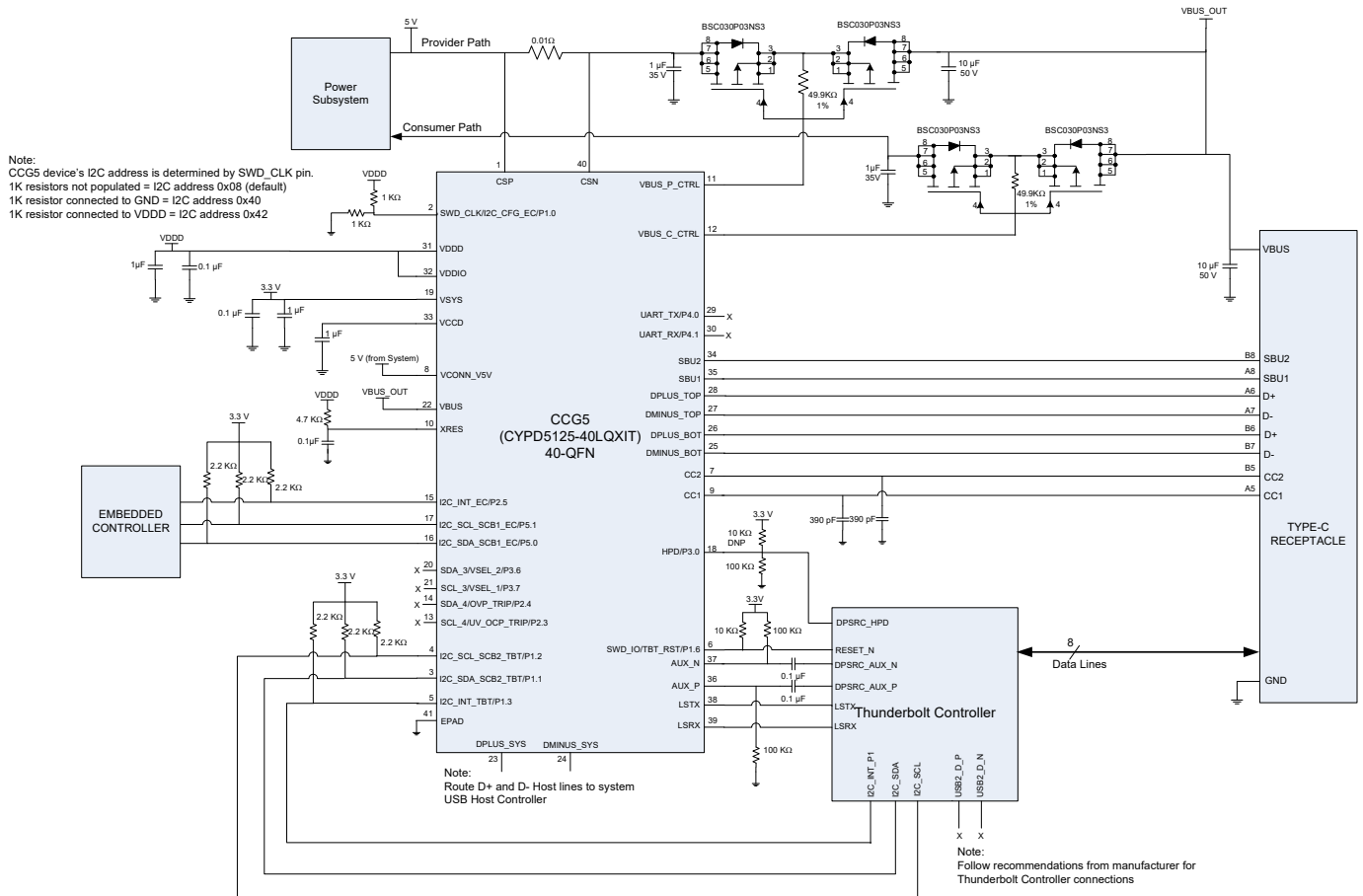
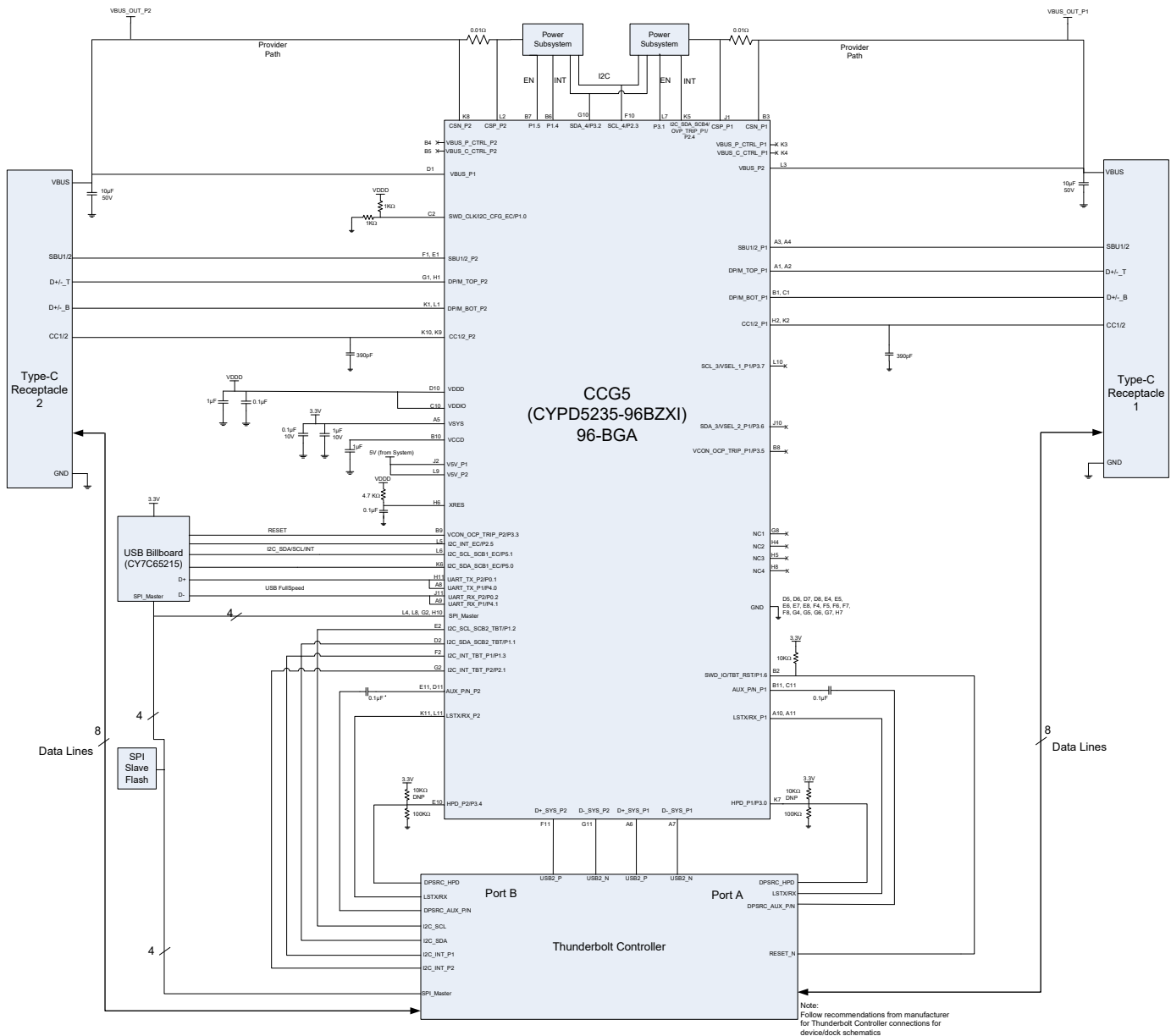


Figure 10 illustrates the Dual Type-C Port Thunderbolt device/dock upstream application diagram using a CCG5 device. The CCG5 device communicates with the power system over I<sup>2</sup>C, which manages the power provided to the upstream Type-C ports. It also updates the Thunderbolt Controller over I<sup>2</sup>C based on the alternate mode negotiation to sink Thunderbolt or USB or DisplayPort Data. The CCG5 device controls the transfer of USB 2.0 D± lines from the top and bottom of the Type-C receptacle to the D± lines of the Thunderbolt Controller and Billboard controller. CCG5 also handles the routing of SBU1 and SBU2 lines from the Type-C receptacle to the Thunderbolt controller for the link management. As mentioned in [Features](#), CCG5 offers ESD Protection on D± and SBU lines as well as VBUS Short protection on SBU and CC lines.

**Figure 10. CCG5 in a Dual port Thunderbolt Device/Dock Upstream Port Application using CYPD5235-96BXZI**





## Electrical Specifications

### Absolute Maximum Ratings

**Table 8. Absolute Maximum Ratings<sup>[3]</sup>**

| Parameter                   | Description  | Min   | Typ | Max                     | Unit | Details/Conditions  |
|-----------------------------|--|-------|-----|-------------------------|------|---|
| V <sub>SYS_MAX</sub>        | Digital supply relative to V <sub>SS</sub>   | –     | –   | 6                       | V    | Absolute max  |
| V <sub>5V_P1_MAX</sub>      | Max supply voltage relative to V <sub>SS</sub>   | –     | –   | 6                       | V    |   |
| V <sub>5V_P2_MAX</sub>      | Max supply voltage relative to V <sub>SS</sub>   | –     | –   | 6                       | V    |   |
| V <sub>BUS_P1_MAX</sub>     | Max VBUS voltage relative to V <sub>SS</sub>   | –     | –   | 24                      | V    |   |
| V <sub>BUS_P2_MAX</sub>     | Max VBUS voltage relative to V <sub>SS</sub>   | –     | –   | 24                      | V    |   |
| V <sub>DDIO_MAX</sub>       | Max supply voltage relative to V <sub>SS</sub>   | –     | –   | V <sub>DDD</sub>        | V    |   |
| V <sub>GPIO_ABS</sub>       | Inputs to GPIO, DP/DM mux (UART, SYS, DP/DM top/bot pins), SBU mux (AUX, LS, SBU1/2 pins)                          | –0.5  | –   | V <sub>DDIO</sub> + 0.5 | V    |   |
| I <sub>GPIO_ABS</sub>       | Maximum current per GPIO   | –25   | –   | 25                      | mA   |   |
| I <sub>GPIO_INJECTION</sub> | GPIO injection current, Max for V <sub>IH</sub> > V <sub>DDD</sub> , and Min for V <sub>IL</sub> < V <sub>SS</sub> | –0.5  | –   | 0.5                     | mA   | Absolute max, current injected per pin  |
| ESD_HBM                     | Electrostatic discharge human body model   | 2200  | –   | –                       | V    | Applicable for all pins except SBU pins   |
| ESD_HBM_SBU <sup>[4]</sup>  | Electrostatic discharge human body model for SBU1, SBU2 pins   | 1100  | –   | –                       | V    | Only applicable to SBU pins   |
| ESD_CDM                     | Electrostatic discharge charged device model   | 500   | –   | –                       | V    | –   |
| LU                          | Pin current for latch up   | –200  | –   | 200                     | mA   | –   |
| ESD_IEC_CON                 | Electrostatic discharge IEC61000-4-2, contact discharge  | 8000  | –   | –                       | V    | Contact Discharge for CC1_P1/P2, CC2_P1/P2, VBUS_P1/P2, SBU1_P1/P2, SBU2_P1/P2, DPLUS_TOP/BOT_P1/P2, DMINUX_TOP/BOT_P1/P2 |
| ESD_IEC_AIR                 | Electrostatic discharge IEC61000-4-2, air discharge  | 15000 | –   | –                       | V    | Air Discharge for CC1_P1/P2, CC2_P1/P2, VBUS_P1/P2, SBU1_P1/P2, SBU2_P1/P2, DPLUS_TOP/BOT_P1/P2, DMINUX_TOP/BOT_P1/P2     |
| VCC_PIN_ABS                 | Max voltage on CC1 and CC2 pins  | –     | –   | 24                      | V    | Absolute max  |
| VSBU_PIN_ABS                | Max voltage on SBU1 and SBU2 pins  | –     | –   | 24                      | V    |   |
| VGPIO_OVT_ABS               | OVT GPIO voltage   | –0.5  | –   | 6                       | V    | Absolute maximum for OVT pins K6 and L6 of BGA, pins 16 and 17 of QFN   |

**Notes**

- Usage above the absolute maximum conditions listed in Table 8 may cause permanent damage to the device. Exposure to absolute maximum conditions for extended periods of time may affect device reliability. The maximum storage temperature is 150 °C in compliance with JEDEC Standard JESD22-A103, High Temperature Storage Life. When used below absolute maximum conditions but above normal operating conditions, the device may not operate to specification.
- JEDEC document JEP155 states that 500 V HBM allows safe manufacturing with a standard ESD control process.

**Device-Level Specifications**

All specifications are valid for  $-40\text{ }^{\circ}\text{C} \leq T_A \leq 85\text{ }^{\circ}\text{C}$  and  $T_J \leq 100\text{ }^{\circ}\text{C}$ , except where noted. Specifications are valid for 3.0 V to 5.5 V except where noted.

**Table 9. DC Specifications**

| Spec ID   | Parameter                                 | Description  | Min                     | Typ | Max                  | Unit | Details/Conditions  |
|---|---|--|-------------------------|-----|----------------------|------|---|
| SID.PWR#23  | V <sub>SYS</sub>                          | Power supply input voltage   | 2.75                    | –   | 5.5                  | V    | UFP applications  |
| SID.PWR#23_A  | V <sub>SYS</sub>                          | Power supply input voltage   | 3.15                    | –   | 5.5                  | V    | DFP/DRP applications  |
| SID.PWR#22  | V <sub>BUS</sub>                          | VBUS_P1 and VBUS_P2 valid range  | 4                       | –   | 21.5                 | V    | –   |
| SID.PWR#1   | V <sub>DDD</sub>                          | Regulated output voltage when V <sub>SYS</sub> is powered                      | V <sub>SYS</sub> – 0.05 | –   | V <sub>SYS</sub>     | V    | –   |
| SID.PWR#1_A   | V <sub>DDD</sub>                          | Regulated output voltage when V <sub>BUS</sub> powered                         | 3.15                    | –   | 3.6                  | V    | –   |
| SID.PWR#26  | V <sub>5V_P1</sub> and V <sub>5V_P2</sub> | Power supply Input voltage   | 4.85                    | –   | 5.5                  | V    | –   |
| SID.PWR#13  | V <sub>DDIO</sub>                         | GPIO power supply  | V <sub>DDD</sub>        | –   | V <sub>DD</sub><br>D | V    | At system-level short the V <sub>DDIO</sub> to V <sub>DDD</sub>   |
| SID.PWR#24  | V <sub>CCD</sub>                          | Output voltage (for Core Logic)  | –                       | 1.8 | –                    | V    | –   |
| SID.PWR#15  | C <sub>EFC</sub>                          | External regulator voltage bypass on V <sub>CCD</sub>                          | 80                      | 100 | 120                  | nF   | X5R ceramic or better   |
| SID.PWR#16  | C <sub>EXC</sub>                          | Power supply decoupling capacitor on V <sub>DDD</sub>                          | –                       | 1   | –                    | μF   |   |
| SID.PWR#27  | C <sub>EXV</sub>                          | Power supply decoupling capacitor on V <sub>5V_P1</sub> and V <sub>5V_P2</sub> | –                       | 0.1 | –                    | μF   |   |
| SID.PWR#5   | I <sub>VDDD_EXT</sub>                     | External load current on V <sub>DDD</sub> either in Active or Deep Sleep mode  | –                       | 1   | 2                    | mA   | –   |
| <b>Active Mode, V<sub>SYS</sub> = 2.75 to 5.5 V. Typical values measured at V<sub>SYS</sub> = 3.3 V</b> |   |  |                         |     |                      |      |   |
| SID.PWR#4   | I <sub>DD12</sub>                         | Supply current   | –                       | 10  | –                    | mA   | T <sub>A</sub> = 25 °C, CC I/O IN Transmit or Receive, no I/O sourcing current, CPU at 24 MHz, two PD ports active  |
| <b>Deep Sleep Mode, V<sub>SYS</sub> = 2.75 to 3.6 V</b>   |   |  |                         |     |                      |      |   |
| SID34   | I <sub>DD29</sub>                         | V <sub>SYS</sub> = 2.75 to 3.6 V, I <sup>2</sup> C, wakeup and WDT on.         | –                       | 150 | –                    | μA   | V <sub>SYS</sub> = 3.3 V, T <sub>A</sub> = 25 °C,   |
| SID34A  | I <sub>DD29A</sub>                        |  | –                       | 160 | –                    | μA   | V <sub>SYS</sub> = 3.3 V, T <sub>A</sub> = 25 °C for two PD ports   |
| SID_DS1   | I <sub>DD_DS1</sub>                       | V <sub>SYS</sub> = 3.3 V, CC wakeup on, Type-C not connected.                  | –                       | 100 | –                    | μA   | Power source = V <sub>SYS</sub> , Type-C not attached, CC enabled for wakeup, Rp and Rd connected at 70-ms intervals by CPU. Rp, Rd connection should be enabled for both PD ports. |
| SID_DS3   | I <sub>DD_DS2</sub>                       | V <sub>SYS</sub> = 3.3 V, CC wakeup on, DP/DM, SBU ON with ADC/CSA/UVOV On     | –                       | 500 | –                    | μA   | ID <sub>DD_DS1</sub> + DP/DM, SBU, CC ON, ADC/CSA/UVOV ON   |
| <b>XRES Current</b>   |   |  |                         |     |                      |      |   |
| SID307  | I <sub>DD_XR</sub>                        | Supply current while XRES asserted   | –                       | 130 | –                    | μA   | Power Source = V <sub>SYS</sub> = 3.3 V, Type-C not attached, T <sub>A</sub> = 25 °C  |

**Table 10. AC Specifications (Guaranteed by Characterization)**

| Spec ID    | Parameter              | Description   | Min | Typ | Max | Unit | Details/Conditions             |
|------------|------------------------|---|-----|-----|-----|------|--------------------------------|
| SID.CLK#4  | F <sub>CPU</sub>       | CPU input frequency                                       | –   | –   | 48  | MHz  | All V <sub>DD</sub>            |
| SID.PWR#21 | T <sub>DEEPSLEEP</sub> | Wakeup from Deep Sleep mode                               | –   | 35  | –   | μs   | Guaranteed by characterization |
| SYS.XRES#5 | T <sub>XRES</sub>      | External reset pulse width                                | 5   | –   | –   | μs   |                                |
| SYS.FES#1  | T <sub>PWR_RDY</sub>   | Power-up to “Ready to accept I <sup>2</sup> C/CC command” | –   | 5   | 25  | ms   |                                |

**Table 11. I/O DC Specifications**

| Spec ID     | Parameter                 | Description                            | Min                      | Typ | Max                     | Unit | Details/Conditions   |
|-------------|---------------------------|--|--------------------------|-----|-------------------------|------|--|
| SID.GIO#37  | V <sub>IH_CMOS</sub>      | Input voltage HIGH threshold           | 0.7 × V <sub>DDIO</sub>  | –   | –                       | V    | CMOS input   |
| SID.GIO#38  | V <sub>IL_CMOS</sub>      | Input voltage LOW threshold            | –                        | –   | 0.3 × V <sub>DDIO</sub> | V    | CMOS input   |
| SID.GIO#39  | V <sub>IH_VDDIO2.7-</sub> | LVTTL input, V <sub>DDIO</sub> < 2.7 V | 0.7 × V <sub>DDIO</sub>  | –   | –                       | V    | –  |
| SID.GIO#40  | V <sub>IL_VDDIO2.7-</sub> | LVTTL input, V <sub>DDIO</sub> < 2.7 V | –                        | –   | 0.3 × V <sub>DDIO</sub> | V    | –  |
| SID.GIO#41  | V <sub>IH_VDDIO2.7+</sub> | LVTTL input, V <sub>DDIO</sub> ≥ 2.7 V | 2.0                      | –   | –                       | V    | –  |
| SID.GIO#42  | V <sub>IL_VDDIO2.7+</sub> | LVTTL input, V <sub>DDIO</sub> ≥ 2.7 V | –                        | –   | 0.8                     | V    | –  |
| SID.GIO#33  | V <sub>OH</sub>           | Output voltage HIGH level              | V <sub>DDIO</sub> – 0.6  | –   | –                       | V    | I <sub>OH</sub> = –4 mA at 3 V V <sub>DDIO</sub>           |
| SID.GIO#34  | V <sub>OH</sub>           | Output voltage HIGH level              | V <sub>DDIO</sub> – 0.5  | –   | –                       | V    | I <sub>OH</sub> = –1mA at 1.8 V V <sub>DDIO</sub>          |
| SID.GIO#35  | V <sub>OL</sub>           | Output voltage LOW level               | –                        | –   | 0.6                     | V    | I <sub>OL</sub> = 4 mA at 1.8 V V <sub>DDIO</sub>          |
| SID.GIO#36  | V <sub>OL</sub>           | Output voltage LOW level               | –                        | –   | 0.6                     | V    | I <sub>OL</sub> = 10 mA (IOL_LED) at 3 V V <sub>DDIO</sub> |
| SID.GIO#5   | R <sub>PU</sub>           | Pull-up resistor value                 | 3.5                      | 5.6 | 8.5                     | kΩ   | +25 °C T <sub>A</sub> , All V <sub>DDIO</sub>              |
| SID.GIO#6   | R <sub>PD</sub>           | Pull-down resistor value               | 3.5                      | 5.6 | 8.5                     | kΩ   | +25 °C T <sub>A</sub> , All V <sub>DDIO</sub>              |
| SID.GIO#16  | I <sub>IL</sub>           | Input leakage current (absolute value) | –                        | –   | 2                       | nA   | +25 °C T <sub>A</sub> , 3-V V <sub>DDIO</sub>              |
| SID.GIO#17  | C <sub>PIN</sub>          | Max pin capacitance                    | –                        | 3   | 7                       | pF   | –  |
| SID.GIO#43  | V <sub>HYSTTL</sub>       | Input hysteresis, LVTTL                | 15                       | 40  | –                       | mV   | V <sub>DDIO</sub> > 2.7 V. Guaranteed by characterization. |
| SID.GIO#44  | V <sub>HYS CMOS</sub>     | Input hysteresis CMOS                  | 0.05 × V <sub>DDIO</sub> | –   | –                       | mV   | V <sub>DDIO</sub> < 4.5 V                                  |
| SID.GIO#44A | V <sub>HYS CMOS55</sub>   | Input hysteresis CMOS                  | 200                      | –   | –                       | mV   | V <sub>DDIO</sub> > 4.5 V                                  |

**Table 12. I/O AC Specifications (Guaranteed by Characterization)**

| Spec ID    | Parameter              | Description  | Min | Typ | Max | Unit | Details/Conditions                                  |
|------------|------------------------|--|-----|-----|-----|------|---|
| SID70      | T <sub>RISE F</sub>    | Rise time in Fast Strong mode  | 2   | –   | 12  | ns   | 3.3-V V <sub>DDIO</sub> , C <sub>load</sub> = 25 pF |
| SID71      | T <sub>FALL F</sub>    | Fall time in Fast Strong mode  | 2   | –   | 12  | ns   | 3.3-V V <sub>DDIO</sub> , C <sub>load</sub> = 25 pF |
| SID.GIO#46 | T <sub>RISE S</sub>    | Rise time in Slow Strong mode  | 10  | –   | 60  | ns   | 3.3-V V <sub>DDIO</sub> , C <sub>load</sub> = 25 pF |
| SID.GIO#47 | T <sub>FALL S</sub>    | Fall time in Slow Strong mode  | 10  | –   | 60  | ns   | 3.3-V V <sub>DDIO</sub> , C <sub>load</sub> = 25 pF |
| SID.GIO#48 | F <sub>GPIO_OUT1</sub> | GPIO F <sub>OUT</sub> ; 3.3 V ≤ V <sub>DDIO</sub> ≤ 5.5 V. Fast Strong mode. | –   | –   | 16  | MHz  | 90/10%, 25 pF load                                  |
| SID.GIO#49 | F <sub>GPIO_OUT2</sub> | GPIO F <sub>OUT</sub> ; 1.7 V ≤ V <sub>DDIO</sub> ≤ 3.3 V. Fast Strong mode. | –   | –   | 16  | MHz  | 90/10%, 25 pF load                                  |
| SID.GIO#50 | F <sub>GPIO_OUT3</sub> | GPIO F <sub>OUT</sub> ; 3.3 V ≤ V <sub>DDIO</sub> ≤ 5.5 V. Slow Strong mode. | –   | –   | 7   | MHz  | 90/10%, 25 pF load                                  |

**Table 12. I/O AC Specifications (Guaranteed by Characterization) (continued)**

| Spec ID    | Parameter              | Description  | Min | Typ | Max | Unit | Details/Conditions     |
|------------|------------------------|--|-----|-----|-----|------|------------------------|
| SID.GIO#51 | F <sub>GPIO_OUT4</sub> | GPIO F <sub>OUT</sub> ; 1.7 V ≤ V <sub>DDIO</sub> ≤ 3.3 V. Slow Strong mode. | –   | –   | 3.5 | MHz  | 90/10%, 25 pF load     |
| SID.GIO#52 | F <sub>GPIO_IN</sub>   | GPIO input operating frequency; 1.7 V ≤ V <sub>DDIO</sub> ≤ 5.5 V.           | –   | –   | 16  | MHz  | 90/10% V <sub>IO</sub> |

XRES

**Table 13. XRES DC Specifications**

| Spec ID    | Parameter            | Description                  | Min                     | Typ                      | Max                     | Unit | Details/Conditions             |
|------------|----------------------|------------------------------|-------------------------|--------------------------|-------------------------|------|--------------------------------|
| SID.XRES#1 | V <sub>IH</sub>      | Input voltage HIGH threshold | 0.7 x V <sub>DDIO</sub> | –                        | –                       | V    | CMOS input                     |
| SID.XRES#2 | V <sub>IL</sub>      | Input voltage LOW threshold  | –                       | –                        | 0.3 x V <sub>DDIO</sub> | V    | CMOS input                     |
| SID.XRES#3 | C <sub>IN</sub>      | Input capacitance            | –                       | –                        | 7                       | pF   | –                              |
| SID.XRES#4 | V <sub>HYSXRES</sub> | Input voltage hysteresis     | –                       | 0.05 x V <sub>DDIO</sub> | –                       | mV   | Guaranteed by characterization |

## Digital Peripherals

The following specifications apply to the Timer/Counter/PWM peripherals in the Timer mode.

PWM for GPIO Pins

**Table 14. PWM AC Specifications (Guaranteed by Characterization)**

| Spec ID      | Parameter             | Description                  | Min              | Typ | Max            | Unit | Details/Conditions   |
|--------------|-----------------------|------------------------------|------------------|-----|----------------|------|--|
| SID.TCPWM.3  | T <sub>CPWMFREQ</sub> | Operating frequency          | –                | –   | F <sub>c</sub> | MHz  | F <sub>c</sub> max = CLK_SYS. Maximum = 48 MHz.  |
| SID.TCPWM.4  | T <sub>PWMENEXT</sub> | Input trigger pulse width    | 2/F <sub>c</sub> | –   | –              | ns   | For all trigger events   |
| SID.TCPWM.5  | T <sub>PWMENT</sub>   | Output trigger pulse width   | 2/F <sub>c</sub> | –   | –              | ns   | Minimum possible width of Overflow, Underflow, and CC (Counter equals Compare value) outputs |
| SID.TCPWM.5A | T <sub>CRES</sub>     | Resolution of counter        | 1/F <sub>c</sub> | –   | –              | ns   | Minimum time between successive counts   |
| SID.TCPWM.5B | PWM <sub>RES</sub>    | PWM resolution               | 1/F <sub>c</sub> | –   | –              | ns   | Minimum pulse width of PWM output  |
| SID.TCPWM.5C | Q <sub>RES</sub>      | Quadrature inputs resolution | 1/F <sub>c</sub> | –   | –              | ns   | Minimum pulse width between quadrature-phase inputs  |

**Table 15. Fixed I<sup>2</sup>C AC Specifications**

(Guaranteed by Characterization)

| Spec ID | Parameter         | Description | Min | Typ | Max | Unit | Details/Conditions |
|---------|-------------------|-------------|-----|-----|-----|------|--------------------|
| SID153  | F <sub>I2C1</sub> | Bit rate    | –   | –   | 1   | Mbps | –                  |

**Table 16. Fixed UART AC Specifications**

(Guaranteed by Characterization)

| Spec ID | Parameter         | Description | Min | Typ | Max | Unit | Details/Conditions |
|---------|-------------------|-------------|-----|-----|-----|------|--------------------|
| SID162  | F <sub>UART</sub> | Bit rate    | –   | –   | 1   | Mbps | –                  |



**Table 17. Fixed SPI AC Specifications**

(Guaranteed by Characterization)

| Spec ID | Parameter        | Description                                       | Min | Typ | Max | Unit | Details/Conditions |
|---------|------------------|---|-----|-----|-----|------|--------------------|
| SID166  | F <sub>SPI</sub> | SPI operating frequency (Master; 6X oversampling) | –   | –   | 8   | MHz  | –                  |

**Table 18. Fixed SPI Master Mode AC Specifications**

(Guaranteed by Characterization)

| Spec ID | Parameter        | Description                           | Min | Typ | Max | Unit | Details/Conditions               |
|---------|------------------|---------------------------------------|-----|-----|-----|------|----------------------------------|
| SID167  | T <sub>DMO</sub> | MOSI valid after SClk driving edge    | –   | –   | 15  | ns   | –                                |
| SID168  | T <sub>DSI</sub> | MISO valid before SClk capturing edge | 20  | –   | –   | ns   | Full clock, late MISO sampling   |
| SID169  | T <sub>HMO</sub> | Previous MOSI data hold time          | 0   | –   | –   | ns   | Referred to slave capturing edge |

**Table 19. Fixed SPI Slave Mode AC Specifications**

(Guaranteed by Characterization)

| Spec ID | Parameter            | Description   | Min | Typ | Max                       | Unit | Details/Conditions                  |
|---------|----------------------|---|-----|-----|---------------------------|------|-------------------------------------|
| SID170  | T <sub>DMI</sub>     | MOSI Valid before Sclck capturing edge              | 40  | –   | –                         | ns   | –                                   |
| SID171  | T <sub>DSO</sub>     | MISO Valid after Sclck driving edge                 | –   | –   | 48 + 3 × T <sub>SCB</sub> | ns   | T <sub>SCB</sub> = T <sub>CPU</sub> |
| SID171A | T <sub>DSO_EXT</sub> | MISO Valid after Sclck driving edge in Ext Clk mode | –   | –   | 48                        | ns   | –                                   |
| SID172  | T <sub>HSO</sub>     | Previous MISO data hold time                        | 0   | –   | –                         | ns   | –                                   |
| SID172A | T <sub>SSELSCK</sub> | SSEL Valid to first SCK Valid edge                  | 100 | –   | –                         | ns   | –                                   |

*Memory*
**Table 20. Flash AC Specifications**

| Spec ID   | Parameter               | Description  | Min  | Typ | Max | Unit   | Details/Conditions                   |
|-----------|-------------------------|--|------|-----|-----|--------|--------------------------------------|
| SID.MEM#4 | T <sub>ROW_WRITE</sub>  | Row (Block) write time (erase and program)               | –    | –   | 20  | ms     | –                                    |
| SID.MEM#3 | T <sub>ROW_ERASE</sub>  | Row erase time   | –    | –   | 13  | ms     | –                                    |
| SID.MEM#8 | T <sub>ROWPROGRAM</sub> | Row program time after erase                             | –    | –   | 7   | ms     | 25 °C to 55 °C, All V <sub>DDD</sub> |
| SID178    | T <sub>BULKERASE</sub>  | Bulk erase time (128 KB)                                 | –    | –   | 35  | ms     | Guaranteed by design                 |
| SID180    | T <sub>DEVPROG</sub>    | Total device program time                                | –    | –   | 25  | s      | Guaranteed by design                 |
| SID.MEM#6 | F <sub>END</sub>        | Flash endurance  | 100k | –   | –   | cycles | –                                    |
| SID182    | F <sub>RET1</sub>       | Flash retention, T <sub>A</sub> ≤ 55 °C, 100K P/E cycles | 20   | –   | –   | years  | –                                    |
| SID182A   | F <sub>RET2</sub>       | Flash retention, T <sub>A</sub> ≤ 85 °C, 10K P/E cycles  | 10   | –   | –   | years  | –                                    |

**System Resources**
*Power-on-Reset (POR) with Brownout*
**Table 21. Imprecise Power On Reset (PRES)**

| Spec ID | Parameter             | Description          | Min  | Typ | Max  | Unit | Details/Conditions             |
|---------|-----------------------|----------------------|------|-----|------|------|--------------------------------|
| SID185  | V <sub>RISEIPOR</sub> | Rising trip voltage  | 0.80 | –   | 1.50 | V    | Guaranteed by characterization |
| SID186  | V <sub>FALLIPOR</sub> | Falling trip voltage | 0.70 | –   | 1.4  | V    |                                |

**Table 22. Precise Power On Reset (POR) (Guaranteed by Characterization)**

| Spec ID | Parameter              | Description  | Min  | Typ | Max  | Unit | Details/Conditions             |
|---------|------------------------|--|------|-----|------|------|--------------------------------|
| SID190  | V <sub>FALLPPOR</sub>  | Brownout Detect (BOD) trip voltage in active/sleep modes | 1.48 | –   | 1.62 | V    | Guaranteed by characterization |
| SID192  | V <sub>FALLDPSLP</sub> | BOD trip voltage in Deep Sleep mode                      | 1.1  | –   | 1.5  | V    |                                |

*SWD Interface*
**Table 23. SWD Interface Specifications**

| Spec ID   | Parameter    | Description                                    | Min             | Typ | Max             | Unit | Details/Conditions                    |
|-----------|--------------|--|-----------------|-----|-----------------|------|---------------------------------------|
| SID.SWD#1 | F_SWDCLK1    | $3.3\text{ V} \leq V_{DDIO} \leq 5.5\text{ V}$ | –               | –   | 14              | MHz  | SWDCLK $\leq$ 1/3 CPU clock frequency |
| SID.SWD#2 | F_SWDCLK2    | $2.7\text{ V} \leq V_{DDIO} \leq 3.3\text{ V}$ | –               | –   | 7               | MHz  | SWDCLK $\leq$ 1/3 CPU clock frequency |
| SID.SWD#3 | T_SWDI_SETUP | $T = 1/f\text{ SWDCLK}$                        | $0.25 \times T$ | –   | –               | ns   | Guaranteed by characterization        |
| SID.SWD#4 | T_SWDI_HOLD  | $T = 1/f\text{ SWDCLK}$                        | $0.25 \times T$ | –   | –               | ns   |                                       |
| SID.SWD#5 | T_SWDO_VALID | $T = 1/f\text{ SWDCLK}$                        | –               | –   | $0.50 \times T$ | ns   |                                       |
| SID.SWD#6 | T_SWDO_HOLD  | $T = 1/f\text{ SWDCLK}$                        | 1               | –   | –               | ns   |                                       |

*Internal Main Oscillator*
**Table 24. IMO AC Specifications**

(Guaranteed by Design)

| Spec ID     | Parameter               | Description                             | Min | Typ | Max     | Unit          | Details/Conditions  |
|-------------|-------------------------|---|-----|-----|---------|---------------|---|
| SID.CLK#13  | F <sub>IMOTOL</sub>     | Frequency variation at 48 MHz (trimmed) | –   | –   | $\pm 2$ | %             | $2.7\text{ V} \leq V_{DD} < 5.5\text{ V}$ , $25\text{ }^\circ\text{C} \leq T_A \leq 85\text{ }^\circ\text{C}$ |
| SID.CLK#13A | F <sub>IMOTOLVCCD</sub> | Frequency variation at 48 MHz (trimmed) | –   | –   | $\pm 4$ | %             | All conditions  |
| SID226      | T <sub>STARTIMO</sub>   | IMO start-up time                       | –   | –   | 7       | $\mu\text{s}$ | –   |
| SID.CLK#1   | F <sub>IMO</sub>        | IMO frequency                           | –   | 48  | –       | MHz           | –   |

*Internal Low-speed Oscillator*
**Table 25. ILO AC Specifications**

| Spec ID   | Parameter              | Description                   | Min | Typ | Max | Unit | Details/Conditions             |
|-----------|------------------------|-------------------------------|-----|-----|-----|------|--------------------------------|
| SID234    | T <sub>STARTILO1</sub> | I <sub>LO</sub> start-up time | –   | –   | 2   | ms   | Guaranteed by characterization |
| SID238    | T <sub>ILODUTY</sub>   | I <sub>LO</sub> duty cycle    | 40  | 50  | 60  | %    |                                |
| SID.CLK#5 | F <sub>ILO</sub>       | I <sub>LO</sub> frequency     | 20  | 40  | 80  | kHz  | –                              |

**Table 26. PD DC Specifications**

| Spec ID           | Parameter        | Description   | Min   | Typ | Max   | Unit | Details/Conditions   |
|-------------------|------------------|---|-------|-----|-------|------|----------------------|
| SID.DC.cc_shvt.1  | vSwing           | Transmitter Output High Voltage   | 1.05  | –   | 1.2   | V    | –                    |
| SID.DC.cc_shvt.2  | vSwing_low       | Transmitter Output Low Voltage  |       | –   | 0.075 | V    | –                    |
| SID.DC.cc_shvt.3  | zDriver          | Transmitter output impedance  | 33    | –   | 75    | Ω    | –                    |
| SID.DC.cc_shvt.4  | zBmcRx           | Receiver Input Impedance  | 10    | –   |       | MΩ   | Guaranteed by design |
| SID.DC.cc_shvt.5  | Idac_std         | Source current for USB standard advertisement   | 64    | –   | 96    | μA   | –                    |
| SID.DC.cc_shvt.6  | Idac_1p5a        | Source current for 1.5A at 5 V advertisement  | 165.6 | –   | 194.4 | μA   | –                    |
| SID.DC.cc_shvt.7  | Idac_3a          | Source current for 3A at 5 V advertisement  | 303.6 | –   | 356.4 | μA   | –                    |
| SID.DC.cc_shvt.8  | Rd               | Pull down termination resistance when acting as UFP (upstream facing port)                    | 4.59  | –   | 5.61  | kΩ   | –                    |
| SID.DC.cc_shvt.9  | Rd_db            | Pull down termination resistance when acting as UFP, with dead battery (upstream facing port) | 4.08  | –   | 6.12  | kΩ   | –                    |
| SID.DC.cc_shvt.10 | zOPEN            | CC impedance to ground when disabled  | 108   | –   |       | kΩ   | –                    |
| SID.DC.cc_shvt.11 | DFP_default_0p2  | CC voltages on DFP side-Standard USB  | 0.15  | –   | 0.25  | V    | –                    |
| SID.DC.cc_shvt.12 | DFP_1.5A_0p4     | CC voltages on DFP side-1.5A  | 0.35  | –   | 0.45  | V    | –                    |
| SID.DC.cc_shvt.13 | DFP_3A_0p8       | CC voltages on DFP side-3A  | 0.75  | –   | 0.85  | V    | –                    |
| SID.DC.cc_shvt.14 | DFP_3A_2p6       | CC voltages on DFP side-3A  | 2.45  | –   | 2.75  | V    | –                    |
| SID.DC.cc_shvt.15 | UFP_default_0p66 | CC voltages on UFP side-Standard USB  | 0.61  | –   | 0.7   | V    | –                    |
| SID.DC.cc_shvt.16 | UFP_1.5A_1p23    | CC voltages on UFP side-1.5A  | 1.16  | –   | 1.31  | V    | –                    |
| SID.DC.cc_shvt.17 | Vattach_ds       | Deep sleep attach threshold   | 0.3   | –   | 0.6   | %    | –                    |
| SID.DC.cc_shvt.18 | Rattach_ds       | Deep sleep pull-up resistor   | 10    | –   | 50    | kΩ   | –                    |
| SID.DC.cc_shvt.30 | FS_0p53          | Voltage threshold for Fast Swap Detect  | 0.49  | –   | 0.58  | V    | –                    |

*Analog to Digital Converter*
**Table 27. ADC DC Specifications**

| Spec ID   | Parameter  | Description                | Min                | Typ | Max                | Unit | Details/Conditions                               |
|-----------|------------|----------------------------|--------------------|-----|--------------------|------|--|
| SID.ADC.1 | Resolution | ADC resolution             | –                  | 8   | –                  | Bits | –  |
| SID.ADC.2 | INL        | Integral non-linearity     | –1.5               | –   | 1.5                | LSB  | –  |
| SID.ADC.3 | DNL        | Differential non-linearity | –2.5               | –   | 2.5                | LSB  | –  |
| SID.ADC.4 | Gain Error | Gain error                 | –1.5               | –   | 1.5                | LSB  | –  |
| SID.ADC.5 | VREF_ADC1  | Reference voltage of ADC   | V <sub>DDmin</sub> | –   | V <sub>DDmax</sub> | V    | Reference voltage generated from V <sub>DD</sub> |
| SID.ADC.6 | VREF_ADC2  | Reference voltage of ADC   | 1.96               | 2.0 | 2.04               | V    | Reference voltage generate from bandgap          |

*Charger Detect*
**Table 28. Charger Detect Specifications**

| Spec ID      | Parameter            | Description                                | Min   | Typ | Max   | Unit | Details/Conditions |
|--------------|----------------------|--|-------|-----|-------|------|--------------------|
| DC.CHGDET.1  | V <sub>DAT_REF</sub> | Data detect voltage in charger detect mode | 250   | –   | 400   | mV   | –                  |
| DC.CHGDET.2  | V <sub>DM_SRC</sub>  | Dn voltage source in charger detect mode   | 500   | –   | 700   | mV   | –                  |
| DC.CHGDET.3  | V <sub>DP_SRC</sub>  | Dp voltage source in charger detect mode   | 500   | –   | 700   | mV   | –                  |
| DC.CHGDET.4  | I <sub>DM_SINK</sub> | Dn sink current in charger detect mode     | 25    | –   | 175   | μA   | –                  |
| DC.CHGDET.5  | I <sub>DP_SINK</sub> | Dp sink current in charger detect mode     | 25    | –   | 175   | μA   | –                  |
| DC.CHGDET.6  | I <sub>DP_SRC</sub>  | Data contact detect current source         | 7     | –   | 13    | μA   | –                  |
| DC.CHGDET.27 | R <sub>DP_UP</sub>   | Qualcomm pull-up termination on Dp/Dn      | 0.9   | –   | 1.575 | kΩ   | –                  |
| DC.CHGDET.32 | R <sub>DM_UP</sub>   | Dp/Dn pull-up resistance                   | 0.9   | –   | 1.575 | kΩ   | –                  |
| DC.CHGDET.28 | R <sub>DP_DWN</sub>  | Qualcomm pull-down termination on Dp/Dn    | 14.25 | –   | 24.8  | kΩ   | –                  |
| DC.CHGDET.31 | R <sub>DM_DWN</sub>  | Dp/Dn pull-down resistance                 | 14.25 | –   | 24.8  | kΩ   | –                  |
| DC.CHGDET.29 | R <sub>DAT_LKG</sub> | Data line leakage on Dp/Dn                 | 300   | –   | 500   | kΩ   | –                  |
| DC.CHGDET.34 | V <sub>SETH</sub>    | Logic Threshold                            | 1.26  | –   | 1.54  | V    | –                  |

**Table 29. V<sub>BUS</sub> Regulator AC Specifications**

| Spec ID         | Parameter          | Description   | Min | Typ | Max | Unit | Details/Conditions   |
|-----------------|--------------------|---|-----|-----|-----|------|--|
| SID.AC.20VREG.1 | T <sub>START</sub> | Total start up time for the regulator supply outputs            | –   | –   | 120 | μs   | Apply V <sub>BUS</sub> and measure start time on V <sub>DDD</sub> pin.   |
| SID.AC.20VREG.2 | T <sub>STOP</sub>  | Regulator power down time from vreg_en = 0 to regulator disable | –   | –   | 1   | μs   | Time from assertion of an internal disable signal to for load current on V <sub>DDD</sub> to decrease from 30 mA to 10 μA. |

**Table 30. V<sub>sys</sub> Switch Specifications**

| Spec ID         | Parameter         | Description  | Min | Typ | Max | Unit | Details/Conditions  |
|-----------------|-------------------|--|-----|-----|-----|------|---|
| SID.DC.VDDDSW.1 | Res <sub>sw</sub> | Resistance from supply input to output supply V <sub>DDD</sub> | –   | –   | 1.5 | Ω    | Measured with a load current of 5 mA to 10 mA on V <sub>DDD</sub> . |

**Table 31. CSA DC Specifications**

| Spec ID       | Parameter         | Description  | Min   | Typ | Max  | Unit | Details/Conditions |
|---------------|-------------------|--|-------|-----|------|------|--------------------|
| SID.DC.CSA.21 | Out_E_Trim_15_DS  | Cumulative output Error for $A_v = 15$ , after trim, using Deep sleep (beta-multiplier) reference  | -7    | -   | 7    | %    | -                  |
| SID.DC.CSA.22 | Out_E_Trim_15_BG  | Cumulative output Error for $A_v = 15$ , after trim, using bandgap reference                       | -4.5  | -   | 4.5  | %    | -                  |
| SID.DC.CSA.23 | Out_E_Trim_100_DS | Cumulative output Error for $A_v = 100$ , after trim, using Deep sleep (beta-multiplier) reference | -24.5 | -   | 24.5 | %    | -                  |

**Table 32. UV/OV Specifications**

| Spec ID      | Parameter     | Description  | Min | Typ     | Max | Unit | Details/Conditions |
|--------------|---------------|--|-----|---------|-----|------|--------------------|
| SID.UVOV.1   | $V_{THUVOV1}$ | Voltage threshold accuracy in active mode using bandgap reference        | -   | $\pm 3$ | -   | %    | -                  |
| SID.UVOV.2   | $V_{THUVOV2}$ | Voltage threshold accuracy in Deep Sleep mode using Deep Sleep reference | -   | $\pm 5$ | -   | %    | -                  |
| SID.COMP_ACC | COMP_ACC      | Comparator input offset at 4s  | -15 | -       | 15  | mV   | -                  |

**Table 33. PFET Gate Driver DC Specifications**

| Spec ID       | Parameter | Description                       | Min | Typ | Max | Unit       | Details/Conditions |
|---------------|-----------|-----------------------------------|-----|-----|-----|------------|--------------------|
| SID.DC.PGDO.1 | $R_{pd}$  | Resistance when "pull_dn" enabled | -   | -   | 5   | k $\Omega$ | -                  |

**Table 34. PFET Gate Driver AC Specifications**

| Spec ID       | Parameter          | Description                   | Min | Typ | Max | Unit       | Details/Conditions   |
|---------------|--------------------|-------------------------------|-----|-----|-----|------------|----------------------|
| SID.AC.PGDO.2 | $T_{r\_discharge}$ | Discharge Rate of output note | -   | -   | 5   | V/ $\mu$ s | Guaranteed by design |

**SBU**
**Table 35. SBU Switch DC Specifications**

| Spec ID         | Parameter       | Description  | Min  | Typ | Max  | Unit | Details/Conditions   |
|-----------------|-----------------|--|------|-----|------|------|----------------------|
| SID.DC.20sbu.1  | Ron1            | On resistances for Aux switch at 3.3 V input                               | –    | 4   | 7    | Ω    | –                    |
| SID.DC.20sbu.2  | Ron2            | On resistances for Aux switch at 1 V input                                 | –    | 3   | 5    | Ω    | –                    |
| SID.DC.20sbu.4  | Ileak1          | Pin leakage current for SBU1, SBU2   | –4.5 | –   | 4.5  | μA   | –                    |
| SID.DC.20sbu.5  | Ileak2          | Pin leakage current for LSTX, LSRX, AUX_P, AUX_N                           | –1   | –   | 1    | μA   | –                    |
| SID.DC.20sbu.6  | Rpu_aux_1       | Pull-up resistance on AUX_P/N  | 80   | –   | 320  | KΩ   | –                    |
| SID.DC.20sbu.7  | Rpu_aux_2       | Pull-up resistance on AUX_P/N  | 0.8  | –   | 1.4  | MΩ   | –                    |
| SID.DC.20sbu.8  | Rpd_aux_1       | Pull-down resistance on AUX_P/N  | 80   | –   | 120  | KΩ   | –                    |
| SID.DC.20sbu.9  | Rpd_aux_2       | Pull-down resistance on AUX_P/N  | 0.3  | –   | 1.2  | MΩ   | –                    |
| SID.DC.20sbu.10 | Rpd_aux_3       | Pull-down resistance on AUX_P/N  | 250  | –   | 611  | KΩ   | –                    |
| SID.DC.20sbu.11 | Rpd_aux_4       | Pull-down resistance on AUX_P/N  | 0.3  | –   | 6.11 | MΩ   | –                    |
| SID.DC.20sbu.16 | OVP_threshold   | Over-voltage protection detection threshold above V <sub>DDIO</sub>        | 200  | –   | 1200 | mV   | –                    |
| SID.DC.20sbu.17 | lsx_ron_3p3     | On resistances of LSTX/LSRX to SBU1/2 switch at 3.3 V input                | –    | 8.5 | 17   | Ω    | –                    |
| SID.DC.20sbu.18 | lsx_ron_1       | On resistances of LSTX/LSRX to SBU1/2 switch at 1 V input                  | –    | 5.5 | 11   | Ω    | –                    |
| SID.DC.20sbu.19 | aux_ron_flat_fs | Switch On flat resistances of AUX_P/N to SBU1/2 switch (from 0 to 3.3 V)   | –    | –   | 2.5  | Ω    | Guaranteed by design |
| SID.DC.20sbu.20 | aux_ron_flat_hs | Switch On flat resistances of AUX_P/N to SBU1/2 switch (from 0 to 1 V)     | –    | –   | 0.5  | Ω    | Guaranteed by design |
| SID.DC.20sbu.21 | lsx_ron_flat_fs | Switch On flat resistances of LSTX/LSRX to SBU1/2 switch (from 0 to 3.3 V) | –    | –   | 5    | Ω    | Guaranteed by design |
| SID.DC.20sbu.22 | lsx_ron_flat_hs | Switch On flat resistances of LSTX/LSRX to SBU1/2 switch (from 0 to 1 V)   | –    | –   | 0.5  | Ω    | Guaranteed by design |

**Table 36. SBU Switch AC Specifications**

| Spec ID        | Parameter          | Description   | Min | Typ | Max | Unit | Details/Conditions   |
|----------------|--------------------|---|-----|-----|-----|------|----------------------|
| SID.AC.20sbu.1 | Con                | Switch ON capacitance   | –   | –   | 120 | pF   | –                    |
| SID.AC.20sbu.2 | Coff               | Switch OFF capacitance - Connector side   | –   | –   | 80  | pF   | –                    |
| SID.AC.20sbu.3 | Off_isolation      | Switch isolation at F = 1 MHz   | –50 | –   | –   | dB   | –                    |
| SID.AC.20sbu.4 | T <sub>ON</sub>    | SBU Switch turn-on time   | –   | –   | 200 | μs   | –                    |
| SID.AC.20sbu.5 | T <sub>OFF</sub>   | SBU Switch turn-off time  | –   | –   | 400 | μs   | Guaranteed by design |
| SID.AC.20sbu.6 | Off_isolation_tran | Coupling on sbu1,2 terminated to 50 ohm, switch-OFF, Rail-to-rail toggling on LSTX/LSRX | –60 | –   | 60  | mV   | Guaranteed by design |
| SID.AC.20sbu.7 | X_talk_AC          | Cross talk of Switch at F=1 MHz SBU1/2 to SBU2/1  | –50 | –   | –   | dB   | Guaranteed by design |
| SID.AC.20sbu.8 | X_talk_tran        | Check voltage coupling on SBU2(1) when Data is transferred from LSTX (RX) to SBU1 (2)   | –70 | –   | 70  | mV   | Guaranteed by design |

**Table 37. DP/DM Switch DC Specifications**

| Spec ID        | Parameter     | Description   | Min | Typ | Max | Unit | Details/Conditions   |
|----------------|---------------|---|-----|-----|-----|------|----------------------|
| SID.DC.dpdm.1  | Ron_HS        | DPDM On resistance for SYS lines (0 to 0.5 V) - HS mode | –   | –   | 8   | Ω    | –                    |
| SID.DC.dpdm.2  | Ron_FS        | DPDM On resistance for SYS lines (0 to 3.3 V) - FS mode | –   | –   | 12  | Ω    | –                    |
| SID.DC.dpdm.5  | Con_FS        | Switch On capacitance at FS at 6 MHz                    | –   | –   | 50  | pF   | Guaranteed by design |
| SID.DC.dpdm.6  | Con_HS        | Switch on capacitance at HS at 240 MHz                  | –   | –   | 10  | pF   | –                    |
| SID.DC.dpdm.9  | Ileak_pin     | pin leakage at DP/DM connector side and host side       | –   | –   | 1   | μA   | –                    |
| SID.DC.dpdm.10 | RON_UART      | DPDM On resistance for UART lines (0 to 3.3 V)          | –   | –   | 17  | Ω    | –                    |
| SID.DC.dpdm.11 | RON_FLAT_HS   | DPDM On Flat resistance in HS mode (0 to 0.4 V)         | –   | –   | 0.5 | Ω    | Guaranteed by design |
| SID.DC.dpdm.12 | RON_FLAT_FS   | DPDM On flat resistance in FS mode (0 to 3.3 V)         | –   | –   | 4   | Ω    | Guaranteed by design |
| SID.DC.dpdm.13 | RON_FLAT_UART | DPDM UART On flat resistance (0 to 3.3 V)               | –   | –   | 4   | Ω    | Guaranteed by design |

**Table 38. DP/DM Switch AC Specifications**

| Spec ID        | Parameter             | Description   | Min | Typ | Max | Unit | Details/Conditions             |
|----------------|-----------------------|---|-----|-----|-----|------|--------------------------------|
| SID.AC.dpdm.5  | T <sub>ON</sub>       | DP/DM Switch turn-on time   | –   | –   | 200 | μs   | –                              |
| SID.AC.dpdm.6  | T <sub>OFF</sub>      | DP/DM Switch turn-off time  | –   | –   | 0.4 | μs   | Guaranteed by design           |
| SID.AC.dpdm.7  | T <sub>ON_VPUMP</sub> | DP/DM charge pump startup time  | –   | –   | 200 | μs   | Guaranteed by characterization |
| SID.AC.dpdm.8  | Off_isolation_HS      | Switch-off isolation for HS   | –20 | –   | –   | db   | Guaranteed by design           |
| SID.AC.dpdm.9  | Off_isolation_FS      | Switch-off isolation for FS   | –50 | –   | –   | db   | Guaranteed by design           |
| SID.AC.dpdm.10 | X <sub>talk</sub>     | Cross talk of Switch From FS to HS at F = 12 MHz                                  | –50 | –   | –   | db   | Guaranteed by design           |
| SID.AC.dpdm.11 | uart_coupling         | peak to peak coupling of UART signal to DP lines. (UART swinging from 0 to 3.3 V) | –   | –   | 20  | mV   | Guaranteed by design           |

**Table 39. VCONN Switch DC Specifications**

| Spec ID           | Parameter         | Description   | Min | Typ | Max  | Unit | Details/Conditions   |
|-------------------|-------------------|---|-----|-----|------|------|----------------------|
| SID.DC.20VCONN.1  | R <sub>on</sub>   | Switch ON resistance at V <sub>5V</sub> = 5 V with 215-mA load current  | –   | 1.4 | 2    | Ω    | –                    |
| SID.DC.20VCONN.9  | I <sub>OC</sub> P | Overcurrent detection range for CC1/CC2   | 400 | –   | 600  | mA   | –                    |
| SID.DC.20VCONN.10 | OVP_threshold     | Overvoltage protection detection threshold above V <sub>DD</sub> or V <sub>5V</sub> whichever is higher   | 200 | –   | 1200 | mV   | –                    |
| SID.DC.20VCONN.11 | OVP_hysteresis    | Overvoltage protection detection hysteresis   | 50  | –   | 200  | mV   | Guaranteed by design |
| SID.DC.20VCONN.12 | OCP_hysteresis    | Overcurrent detection hysteresis  | 20  | –   | 60   | mA   | –                    |
| SID.DC.20vconn.14 | OVP_thresh-old_on | Overvoltage protection detection threshold above V <sub>5V</sub> of CC1/2, with CC1 or CC2 switch enabled. Same threshold triggers reverse current protection circuit | 200 | –   | 700  | mV   | –                    |

**Table 40. VCONN Switch AC Specifications**

| Spec ID          | Parameter        | Description                | Min | Typ | Max | Unit | Details/Conditions   |
|------------------|------------------|----------------------------|-----|-----|-----|------|----------------------|
| SID.AC.20VCONN.1 | T <sub>ON</sub>  | VCONN switch turn-on time  | –   | –   | 200 | μs   | –                    |
| SID.AC.20VCONN.2 | T <sub>OFF</sub> | VCONN switch turn-off time | –   | –   | 3   | μs   | Guaranteed by design |

**Table 41. V<sub>BUS</sub> Discharge Specifications**

| Spec ID         | Parameter        | Description             | Min  | Typ | Max  | Unit | Details/Conditions |
|-----------------|------------------|-------------------------|------|-----|------|------|--------------------|
| SID.VBUS.DISC.1 | R <sub>on1</sub> | 20-V NMOS ON resistance | 1500 | –   | 3000 | Ω    | –                  |
| SID.VBUS.DISC.2 | R <sub>on2</sub> | 20-V NMOS ON resistance | 750  | –   | 1500 | Ω    | –                  |
| SID.VBUS.DISC.3 | R <sub>on3</sub> | 20-V NMOS ON resistance | 500  | –   | 1000 | Ω    | –                  |
| SID.VBUS.DISC.4 | R <sub>on4</sub> | 20-V NMOS ON resistance | 375  | –   | 750  | Ω    | –                  |
| SID.VBUS.DISC.5 | R <sub>on5</sub> | 20-V NMOS ON resistance | 300  | –   | 600  | Ω    | –                  |



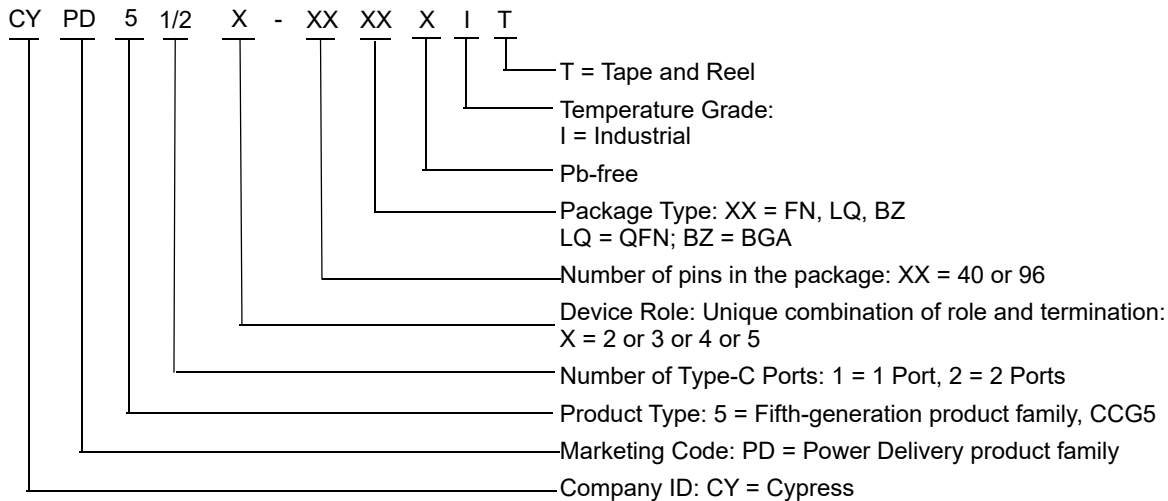
## Ordering Information

Table 42 lists the EZ-PD CCG5 part numbers and features.

**Table 42. EZ-PD CCG5 Ordering Information**

| Part Number      | Application           | Type-C Ports | Dead Battery Termination | Termination Resistor                         | Role | Package     |
|------------------|-----------------------|--------------|--------------------------|--|------|-------------|
| CYPD5125-40LQXIT | Notebooks, Desktops   | 1            | Yes                      | $R_p^{[5]}$ , $R_D^{[6]}$ , $R_{D-DB}^{[7]}$ | DRP  | 40-pin QFN  |
| CYPD5135-40LQXIT | Dock                  | 1            | No                       | $R_p^{[5]}$ , $R_D^{[6]}$                    | DRP  | 40-pin QFN  |
| CYPD5225-96BZXI  | Notebooks, Desktops   | 2            | Yes                      | $R_p^{[5]}$ , $R_D^{[6]}$ , $R_{D-DB}^{[7]}$ | DRP  | 96-ball BGA |
| CYPD5225-96BZXIT |                       |              |                          |  |      |             |
| CYPD5235-96BZXI  | Dock, Upstream port   | 2            | No                       | $R_p^{[5]}$ , $R_D^{[6]}$                    | DRP  | 96-ball BGA |
| CYPD5235-96BZXIT |                       |              |                          |  |      |             |
| CYPD5236-96BZXI  | Dock, Downstream port | 2            | No                       | $R_p^{[5]}$ , $R_D^{[6]}$                    | DRP  | 96-ball BGA |
| CYPD5236-96BZXIT |                       |              |                          |  |      |             |

## Ordering Code Definitions



### Notes

5. Termination resistor denoting a downstream facing port.
6. Termination resistor denoting an accessory or upstream facing port.
7. Termination resistor denoting dead-battery termination.

## Packaging

**Table 43. Package Characteristics**

| Parameter       | Description                           | Conditions | Min | Typ | Max  | Unit |
|-----------------|---------------------------------------|------------|-----|-----|------|------|
| T <sub>A</sub>  | Operating ambient temperature         | Industrial | -40 | 25  | 85   | °C   |
| T <sub>J</sub>  | Operating junction temperature        | Industrial | -40 | 25  | 100  | °C   |
| T <sub>JA</sub> | Package θ <sub>JA</sub> (96-ball BGA) | -          | -   | -   | 56   | °C/W |
| T <sub>JC</sub> | Package θ <sub>JC</sub> (96-ball BGA) | -          | -   | -   | 18.5 | °C/W |
| T <sub>JA</sub> | Package θ <sub>JA</sub> (40-pin QFN)  | -          | -   | -   | 19.3 | °C/W |
| T <sub>JC</sub> | Package θ <sub>JC</sub> (40-pin QFN)  | -          | -   | -   | 13.6 | °C/W |

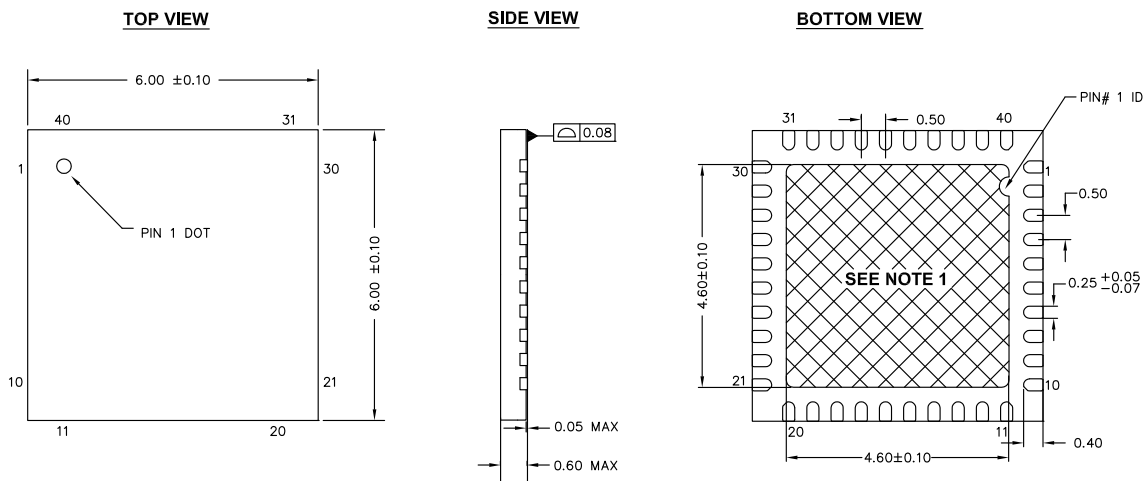
**Table 44. Solder Reflow Peak Temperature**

| Package     | Maximum Peak Temperature | Maximum Time within 5 °C of Peak Temperature |
|-------------|--------------------------|--|
| 96-ball BGA | 260 °C                   | 30 seconds                                   |
| 40-pin QFN  | 260 °C                   | 30 seconds                                   |

**Table 45. Package Moisture Sensitivity Level (MSL), IPC/JEDEC J-STD-2**

| Package     | MSL   |
|-------------|-------|
| 96-ball BGA | MSL 3 |
| 40-pin QFN  | MSL 3 |

**Figure 12. 40-Pin QFN (6 × 6 × 0.6 mm), LR40A/LQ40A 4.6 × 4.6 E-PAD (Sawn) Package Outline, 001-80659**

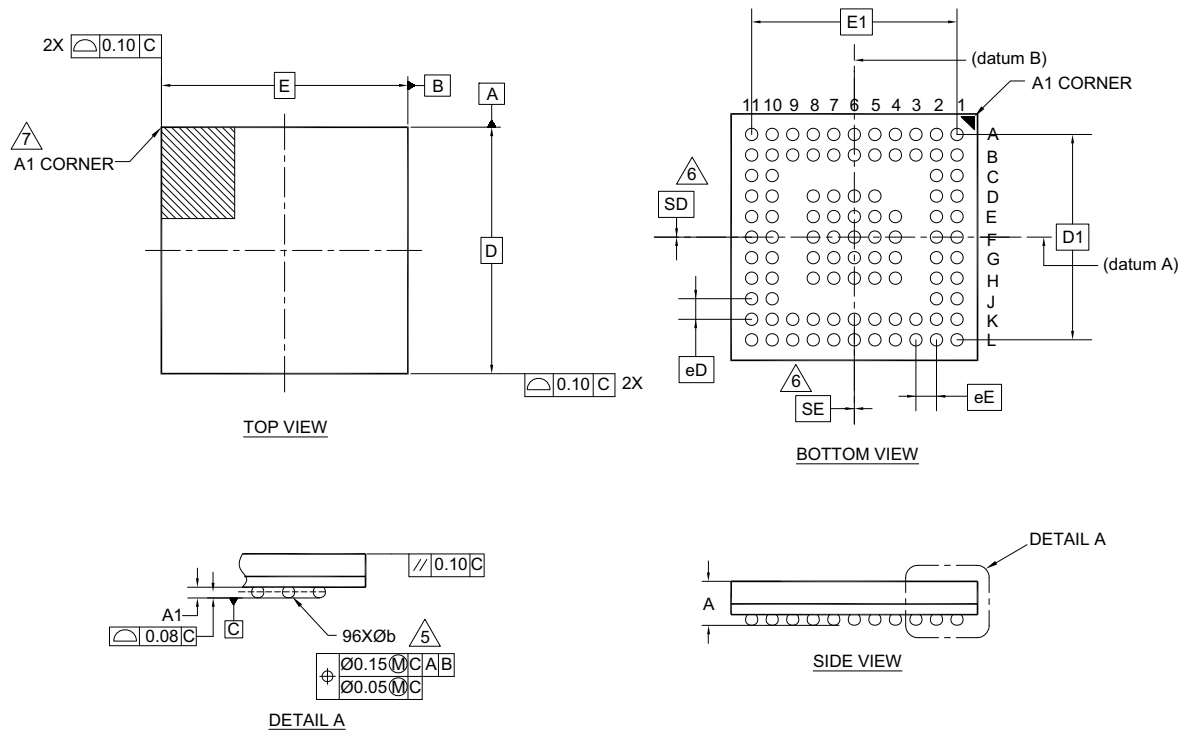


**NOTES:**

1. HATCH AREA IS SOLDERABLE EXPOSED PAD
2. REFERENCE JEDEC # MO-248
3. PACKAGE WEIGHT: 68 ± 2 mg
4. ALL DIMENSIONS ARE IN MILLIMETERS

001-80659 \*A

**Figure 13. 96-Ball BGA (6 × 6 × 1.0 mm), Package Outline, 002-10631**



| SYMBOL | DIMENSIONS |      |      |
|--------|------------|------|------|
|        | MIN.       | NOM. | MAX. |
| A      | -          | -    | 1.00 |
| A1     | 0.16       | -    | -    |
| D      | 6.00 BSC   |      |      |
| E      | 6.00 BSC   |      |      |
| D1     | 5.00 BSC   |      |      |
| E1     | 5.00 BSC   |      |      |
| MD     | 11         |      |      |
| ME     | 11         |      |      |
| N      | 96         |      |      |
| Ø b    | 0.25       | 0.30 | 0.35 |
| eD     | 0.50 BSC   |      |      |
| eE     | 0.50 BSC   |      |      |
| SD     | 0.00       |      |      |
| SE     | 0.00       |      |      |

**NOTES:**

- ALL DIMENSIONS ARE IN MILLIMETERS.
- SOLDER BALL POSITION DESIGNATION PER JEP95, SECTION 3, SPP-020.
- "e" REPRESENTS THE SOLDER BALL GRID PITCH.
- SYMBOL "MD" IS THE BALL MATRIX SIZE IN THE "D" DIRECTION. SYMBOL "ME" IS THE BALL MATRIX SIZE IN THE "E" DIRECTION. N IS THE NUMBER OF POPULATED SOLDER BALL POSITIONS FOR MATRIX SIZE MD X ME.
- DIMENSION "b" IS MEASURED AT THE MAXIMUM BALL DIAMETER IN A PLANE PARALLEL TO DATUM C.
- "SD" AND "SE" ARE MEASURED WITH RESPECT TO DATUMS A AND B AND DEFINE THE POSITION OF THE CENTER SOLDER BALL IN THE OUTER ROW WHEN THERE IS AN ODD NUMBER OF SOLDER BALLS IN THE OUTER ROW "SD" OR "SE" = 0. WHEN THERE IS AN EVEN NUMBER OF SOLDER BALLS IN THE OUTER ROW "SD" = eD/2 AND "SE" = eE/2.
- A1 CORNER TO BE IDENTIFIED BY CHAMFER, LASER OR INK MARK METALIZED MARK, INDENTATION OR OTHER MEANS.
- "+" INDICATES THE THEORETICAL CENTER OF DEPOPULATED SOLDER BALLS.
- JEDEC SPECIFICATION NO. REF. : MO-225. 002-10631 \*A

## Acronyms

**Table 46. Acronyms Used in this Document**

| Acronym                  | Description   |
|--------------------------|---|
| ADC                      | analog-to-digital converter   |
| API                      | application programming interface   |
| Arm®                     | advanced RISC machine, a CPU architecture   |
| CC                       | configuration channel   |
| BOD                      | Brown out Detect  |
| CPU                      | central processing unit   |
| CRC                      | cyclic redundancy check, an error-checking protocol   |
| CS                       | current sense   |
| DFP                      | downstream facing port  |
| DIO                      | digital input/output, GPIO with only digital capabilities, no analog. See GPIO.                               |
| DRP                      | dual role port  |
| EEPROM                   | electrically erasable programmable read-only memory   |
| EMCA                     | a USB cable that includes an IC that reports cable characteristics (e.g., current rating) to the Type-C ports |
| EMI                      | electromagnetic interference  |
| ESD                      | electrostatic discharge   |
| FPB                      | flash patch and breakpoint  |
| FS                       | full-speed  |
| GPIO                     | general-purpose input/output  |
| IC                       | integrated circuit  |
| IDE                      | integrated development environment  |
| I <sup>2</sup> C, or IIC | Inter-Integrated Circuit, a communications protocol   |
| ILO                      | internal low-speed oscillator, see also IMO   |
| IMO                      | internal main oscillator, see also ILO  |
| I/O                      | input/output, see also GPIO   |
| LVD                      | low-voltage detect  |
| LVTTTL                   | low-voltage transistor-transistor logic   |
| MCU                      | microcontroller unit  |
| NC                       | no connect  |
| NMI                      | nonmaskable interrupt   |
| NVIC                     | nested vectored interrupt controller  |

**Table 46. Acronyms Used in this Document (continued)**

| Acronym | Description  |
|---------|--|
| opamp   | operational amplifier  |
| OCP     | overcurrent protection   |
| OVP     | overvoltage protection   |
| PCB     | printed circuit board  |
| PD      | power delivery   |
| PGA     | programmable gain amplifier  |
| PHY     | physical layer   |
| POR     | power-on reset   |
| PRES    | precise power-on reset   |
| PSoC®   | Programmable System-on-Chip™   |
| PWM     | pulse-width modulator  |
| RAM     | random-access memory   |
| RISC    | reduced-instruction-set computing  |
| RMS     | root-mean-square   |
| RTC     | real-time clock  |
| RX      | receive  |
| SAR     | successive approximation register  |
| SCL     | I <sup>2</sup> C serial clock  |
| SDA     | I <sup>2</sup> C serial data   |
| S/H     | sample and hold  |
| SPI     | Serial Peripheral Interface, a communications protocol   |
| SRAM    | static random access memory  |
| SWD     | serial wire debug, a test protocol   |
| TX      | transmit   |
| Type-C  | a new standard with a slimmer USB connector and a reversible cable, capable of sourcing up to 100 W of power |
| UART    | Universal Asynchronous Transmitter Receiver, a communications protocol                                       |
| USB     | Universal Serial Bus   |
| USBIO   | USB input/output, CCG5 pins used to connect to a USB port  |
| XRES    | external reset I/O pin   |

## Document Conventions

### Units of Measure

Table 47. Units of Measure

| Symbol | Unit of Measure        |
|--------|------------------------|
| °C     | degrees Celsius        |
| Hz     | hertz                  |
| KB     | 1024 bytes             |
| kHz    | kilohertz              |
| kΩ     | kilo ohm               |
| Mbps   | megabits per second    |
| MHz    | megahertz              |
| MΩ     | mega-ohm               |
| Msps   | megasamples per second |
| μA     | microampere            |
| μF     | microfarad             |
| μs     | microsecond            |
| μV     | microvolt              |

Table 47. Units of Measure (continued)

| Symbol | Unit of Measure    |
|--------|--------------------|
| μW     | microwatt          |
| mA     | milliampere        |
| ms     | millisecond        |
| mV     | millivolt          |
| nA     | nanoampere         |
| ns     | nanosecond         |
| Ω      | ohm                |
| pF     | picofarad          |
| ppm    | parts per million  |
| ps     | picosecond         |
| s      | second             |
| sps    | samples per second |
| V      | volt               |

## References and Links To Applications Collaterals

### Knowledge Base Articles

- [Key Differences Among EZ-PD™ CCG1, CCG2, CCG3 and CCG5 - KBA210740](#)
- [Programming EZ-PD™ CCG2, EZ-PD™ CCG3 and EZ-PD™ CCG5 Using PSoC® Programmer and MiniProg3 - KBA96477](#)
- [CCGX Frequently Asked Questions \(FAQs\) - KBA97244](#)
- [Handling Precautions for CY4501 CCG1 DVK - KBA210560](#)
- [Cypress EZ-PD™ CCGx Hardware - KBA204102](#)
- [Difference between USB Type-C and USB-PD - KBA204033](#)
- [CCGX Programming Methods - KBA97271](#)
- [Getting started with Cypress USB Type-C Products - KBA04071](#)
- [Type-C to DisplayPort Cable Electrical Requirements](#)
- [Dead Battery Charging Implementation in USB Type-C Solutions - KBA97273](#)
- [Termination Resistors Required for the USB Type-C Connector – KBA97180](#)
- [VBUS Bypass Capacitor Recommendation for Type-C Cable and Type-C to Legacy Cable/Adapter Assemblies – KBA97270](#)
- [Need for Regulator and Auxiliary Switch in Type-C to DisplayPort \(DP\) Cable Solution - KBA97274](#)
- [Need for a USB Billboard Device in Type-C Solutions – KBA97146](#)
- [CCG1 Devices in Type-C to Legacy Cable/Adapter Assemblies – KBA97145](#)
- [Cypress USB Type-C Controller Supported Solutions – KBA97179](#)
- [Termination Resistors for Type-C to Legacy Ports – KBA97272](#)
- [Handling Instructions for CY4502 CCG2 Development Kit – KBA97916](#)
- [Thunderbolt™ Cable Application Using CCG3 Devices - KBA210976](#)
- [Power Adapter Application Using CCG3 Devices - KBA210975](#)
- [Methods to Upgrade Firmware on CCG3 Devices - KBA210974](#)
- [Device Flash Memory Size and Advantages - KBA210973](#)
- [Applications of EZ-PD™ CCG5 - KBA210739](#)

### Application Notes

- [AN96527 - Designing USB Type-C Products Using Cypress's CCG1 Controllers](#)
- [AN95615 - Designing USB 3.1 Type-C Cables Using EZ-PD™ CCG2](#)

- [AN95599 - Hardware Design Guidelines for EZ-PD™ CCG2](#)
- [AN210403 - Hardware Design Guidelines for Dual Role Port Applications Using EZ-PD™ USB Type-C Controllers](#)
- [AN210771 - Getting Started with EZ-PD™ CCG5](#)

### Reference Designs

- [EZ-PD™ CCG2 Electronically Marked Cable Assembly \(EMCA\) Paddle Card Reference Design](#)
- [EZ-PD™ CCG2 USB Type-C to DisplayPort Cable Solution](#)
- [CCG1 USB Type-C to DisplayPort Cable Solution](#)
- [CCG1 USB Type-C to HDMI/DVI/VGA Adapter Solution](#)
- [EZ-PD™ CCG2 USB Type-C to HDMI Adapter Solution](#)
- [CCG1 Electronically Marked Cable Assembly \(EMCA\) Paddle Card Reference Design](#)
- [CCG1 USB Type-C to Legacy USB Device Cable Paddle Card Reference Schematics](#)
- [EZ-USB GX3 USB Type-C to Gigabit Ethernet Dongle](#)
- [EZ-PD™ CCG2 USB Type-C Monitor/Dock Solution](#)
- [CCG2 20W Power Adapter Reference Design](#)
- [CCG2 18W Power Adapter Reference Design](#)
- [EZ-USB GX3 USB Type-A to Gigabit Ethernet Reference Design Kit](#)

### Kits

- [CY4501 CCG1 Development Kit](#)
- [CY4502 EZ-PD™ CCG2 Development Kit](#)
- [CY4531 EZ-PD CCG3 Evaluation Kit](#)
- [CY4541 EZ-PD™ CCG5 Evaluation Kit](#)

### Datasheets

- [CCG1 Datasheet: USB Type-C Port Controller with Power Delivery](#)
- [CYPD1120 Datasheet: USB Power Delivery Alternate Mode Controller on Type-C](#)
- [CCG2: USB Type-C Port Controller Datasheet](#)
- [CCG3: USB Type-C Controller Datasheet](#)

**Document History Page**

| Document Title: EZ-PD™ CCG5, USB Type-C Port Controller |         |                 |                 |   |
|---|---------|-----------------|-----------------|---|
| Document Number: 002-17682                              |         |                 |                 |   |
| Revision  | ECN     | Orig. of Change | Submission Date | Description of Change   |
| **  | 5528106 | SOBI            | 12/07/2016      | New datasheet   |
| *A  | 5606273 | SOBI            | 01/27/2017      | Updated EZ-PD™ CCG5, USB Type-C Port Controller and Features.<br>Updated Logic Block Diagram.<br>Updated USB-PD Subsystem (SS) and reordered the Functional Overview section.<br>Updated GPIO.<br>Updated 40-Pin QFN Pin Map (Top View) for CYPD5125-40LQXIT.   |
| *B  | 5694572 | SOBI            | 06/03/2017      | Changed datasheet status to Preliminary.<br>Added Errata.<br>Added Table 4 through Table 7.<br>Added Table 9 through Table 41 in Device-Level Specifications.<br>Updated Logic Block Diagram, GPIO, and VBUS Discharge.<br>Updated Table 2, Table 3, Table 8, and Table 46.<br>Updated Figure 5 through Figure 9.<br>Updated Figure 13 (spec 002-10631 Rev. ** to *A) in Packaging.<br>Updated compliance with USB spec in Sales, Solutions, and Legal Information.<br>Updated template.  |
| *C  | 5885413 | VGT             | 09/27/2017      | Updated USB HS Mux and SBU Mux in Functional Overview.<br>Updated Flash in CPU and Memory Subsystem.<br>Updated Power System Overview.<br>Updated description of BGA pin P2.4 to support SCB4 I2C data.<br>Changed SID.PWR#1_A; VDDD from 3 V to 3.15 V for DFP application.<br>Changed SID.AC.dpdm.3; Trise_HS from 630 ps max to 300 ps min.<br>Changed SID.AC.dpdm.4, Tfall_HS from 630 ps max to 300 ps min.<br>Updated SID.PWR#23 - changed V <sub>SYS</sub> to V <sub>SYS_UEP</sub> and changed range to 2.7 to 5.5 V.<br>Added SID.PWR#23_A for DFP/DRP application.<br>Changed max value for SID.20VREG.8, V <sub>BUSLOADREG</sub> , from 0.2 to 0.3.<br>Updated SID.ADC.2, SID.ADC.4 to ±1.5.<br>Updated SID.PWR#18 description to extend to SBU, DPDM mux pins.<br>Updated SID.PWR#2 - changed V <sub>DDD_MAX</sub> to V <sub>SYS_MAX</sub> .<br>Removed min value from SID.PWR#14, VDDIO_MAX.<br>Added min spec of -25mA for SID.PWR#19, I <sub>gpio_abs</sub> .<br>Removed ADC.AC spec.<br>Updated SID.DC.20vconn.11, OVP_hysteresis max.<br>Added SID.DC.20vconn.14, OVP_threshold_on.<br>Added SID.AC.dpdm.10, SID.AC.dpdm.11.<br>Changed min value of SID.AC.dpdm.1, BW_3dB_HS from 1000 to 700.<br>Changed max value of SID.DC.dpdm.12, SID.DC.dpdm.13 from 4 to 3.<br>Changed max value of SID.DC.dpdm.2, RON_FS to 12.<br>Corrected values for SID.AC.dpdm.8, SID.AC.dpdm.9.<br>Added SID.AC.20sbu.6, SID.AC.20sbu.8, and SID.AC.20sbu.8. |

| Document Title: EZ-PD™ CCG5, USB Type-C Port Controller |         |     |            |  |
|---|---------|-----|------------|--|
| Document Number: 002-17682                              |         |     |            |  |
| *C<br>(contd.)  | 5885413 | VGT | 09/27/2017 | <p>Updated SID.DC.20sbu.12, SID.DC.20sbu.15, SID.DC.20sbu.6, SID.DC.20sbu.7, SID.DC.20sbu.7A, SID.DC.20sbu.8, SID.DC.20sbu.9, SID.DC.20sbu.10, SID.DC.20sbu.11, SID.DC.20sbu.3, and SID.DC.20sbu.3.</p> <p>Changed SBU pins ESD voltage to 750 V.</p> <p>Added new <a href="#">Table 28</a>, new <a href="#">Table 29</a>, <a href="#">Table 43</a> through <a href="#">Table 45</a>.</p> <p>Updated <a href="#">Figure 5</a>, <a href="#">Figure 8</a>, <a href="#">Figure 9</a>.</p> <p>Added <a href="#">Figure 7</a>.</p> <p>Removed ADC AC specifications and CSAAC specifications (<a href="#">Table 28</a> and <a href="#">Table 32</a> from previous revision).</p> <p>Removed Errata.</p>   |
| *D  | 5943992 | VGT | 10/24/2017 | <p>Added "Thunderbolt hosts and devices" in <a href="#">Applications</a>.</p> <p>Updated <a href="#">Figure 1</a> to correctly depict "2 x ADC" for entire CCG5.</p> <p>Updated description of VDDD pin in <a href="#">Table 2</a> and <a href="#">Table 3</a>.</p> <p>Updated the description for pin P2.4 in <a href="#">Table 3</a>.</p> <p>Added "CYPD5235-96BZXI" and "CYPD5236-96BZXI" part numbers to the description of <a href="#">Table 3</a> and <a href="#">Figure 6</a>.</p> <p>Updated <math>V_{BUS\_P1\_MAX}</math> and <math>V_{BUS\_P2\_MAX}</math> values to 24 in <a href="#">Table 8</a>.</p> <p>Updated min value of ESD_HBM_SBU spec from 750 to 1100 V in <a href="#">Table 8</a>.</p> <p>Added "Applicable for all pins except SBU pins" in description of "ESD_HBM" parameter in <a href="#">Table 8</a>.</p> <p>Updated description of <math>V_{GPIO\_OVT\_ABS}</math> in <a href="#">Table 8</a>.</p> <p>Updated description of ESD_IEC_CON and ESD_IEC_AIR parameters in <a href="#">Table 8</a>.</p> <p>Changed SID.PWR#13 min value from 1.7 to <math>V_{DDD}</math> in <a href="#">Table 9</a>.</p> <p>Updated min value of SID.PWR#23 to 2.75 in <a href="#">Table 9</a>.</p> <p>Updated pin description, values, and details/conditions of parameters SID.PWR#1 and SID.PWR#1_A to better define <math>V_{DDD}</math> supply in <a href="#">Table 9</a>.</p> <p>Replace <math>V_{DDD}</math> with <math>V_{SYS}</math> in supply name and conditions for IDD parameters listed in <a href="#">Table 9</a>.</p> <p>Updated Conditions for SID.CLK#4 to "All <math>V_{DDD}</math>" in <a href="#">Table 10</a>.</p> <p>Removed SID.PWR#20 in <a href="#">Table 10</a>.</p> <p>Added Guaranteed by Design for SID178 and SID180 in <a href="#">Table 20</a>.</p> <p>Added description for SID.MEM#8 in <a href="#">Table 20</a>.</p> <p>Added description for SID.CLK#13 and SID.CLK#13A in <a href="#">Table 24</a>.</p> <p>Added Guaranteed by Design for SID.DC.cc_shvt.4 in <a href="#">Table 26</a>.</p> <p>Deleted details and conditions for SID.DC.cc_shvt.14 in <a href="#">Table 26</a>.</p> <p>Removed SID.DC.cc_SHVT.19 in <a href="#">Table 26</a>.</p> <p>Updated spec values in <a href="#">Table 32</a>.</p> <p>Added Guaranteed by Design for SID.AC.PGDO.2 in <a href="#">Table 34</a>.</p> <p>Added Guaranteed by Design for SID.DC.20sbu.19 through SID.DC.20sbu.22 and removed SID.AC.20sbu.3 in <a href="#">Table 35</a>.</p> <p>Added Guaranteed by Design for SID.AC.20SBU.5 in <a href="#">Table 36</a>.</p> <p>Updated max value for SID.AC.20SBU.8 in <a href="#">Table 36</a>.</p> <p>Removed SID.DC.dpdm.3 and SID.DC.dpdm.4 and added Guaranteed by Design for SID.DC.dpdm.5 and SID.DC.dpdm.11 through SID.DC.dpdm.13 in <a href="#">Table 37</a>.</p> <p>Updated SID.DC.dpdm.12 and SID.DC.dpdm.13 max value in <a href="#">Table 37</a>.</p> <p>Removed SID.AC.dpdm.1, SID.AC.dpdm.2, SID.AC.dpdm.3, and SID.AC.dpdm.4 in <a href="#">Table 38</a>.</p> |



| Document Title: EZ-PD™ CCG5, USB Type-C Port Controller |         |         |            |  |
|---|---------|---------|------------|--|
| Document Number: 002-17682                              |         |         |            |  |
| *D<br>(contd.)  | 5943992 | VGT     | 10/24/2017 | <p>Added Guaranteed by Design for SID.AC.dpdm.6, SID.AC.dpdm.7, SID.AC.dpdm.8, SID.AC.dpdm.9, SID.AC.dpdm.10, and SID.AC.dpdm.13 in <a href="#">Table 38</a>.</p> <p>Added Guaranteed by Design for SID.DC.20VCONN.11 in <a href="#">Table 39</a>.</p> <p>Removed SID.DC.20VCONN.13 in <a href="#">Table 39</a>.</p> <p>Added Guaranteed by Design for SID.AC.20VCONN.2 in <a href="#">Table 40</a>.</p> <p>Updated min value of <math>V_{SYS}</math> to 2.75 throughout the document.</p> |
| *E  | 5968629 | VGT     | 11/16/2017 | <p>Updated <a href="#">Figure 8</a>.</p> <p>Added <a href="#">Figure 10</a> and <a href="#">Figure 11</a> and associated content.</p>  |
| *F  | 6040630 | HPV     | 02/16/2018 | Removed VBUS Regulator DC Specifications.  |
| *G  | 6111610 | VGT/AKK | 03/27/2018 | <p>Updated pin name and description of P2.4 pin in <a href="#">Table 3</a>.</p> <p>Updated <a href="#">Power System Overview</a>.</p> <p>Updated pin name of pin K5 in <a href="#">Figure 6</a>.</p> <p>Updated application diagrams in <a href="#">Figure 8</a>, <a href="#">Figure 10</a>, and <a href="#">Figure 11</a>.</p> <p>Added SID.PWR#5.</p> <p>Added MPN CYPD5135-40LQXIT in <a href="#">Table 42</a>.</p>   |
| *H  | 6206852 | VGT     | 06/13/2018 | Added MPNs CYPD5225-96BZXIT, CYPD5235-96BZXIT and CYPD5236-96BZXIT in <a href="#">Table 42</a> .   |

## Sales, Solutions, and Legal Information

### Worldwide Sales and Design Support

Cypress maintains a worldwide network of offices, solution centers, manufacturer's representatives, and distributors. To find the office closest to you, visit us at [Cypress Locations](#).

#### Products

|                               |  |
|-------------------------------|--|
| Arm® Cortex® Microcontrollers | <a href="http://cypress.com/arm">cypress.com/arm</a>               |
| Automotive                    | <a href="http://cypress.com/automotive">cypress.com/automotive</a> |
| Clocks & Buffers              | <a href="http://cypress.com/clocks">cypress.com/clocks</a>         |
| Interface                     | <a href="http://cypress.com/interface">cypress.com/interface</a>   |
| Internet of Things            | <a href="http://cypress.com/iot">cypress.com/iot</a>               |
| Memory                        | <a href="http://cypress.com/memory">cypress.com/memory</a>         |
| Microcontrollers              | <a href="http://cypress.com/mcu">cypress.com/mcu</a>               |
| PSoC                          | <a href="http://cypress.com/psoc">cypress.com/psoc</a>             |
| Power Management ICs          | <a href="http://cypress.com/pmic">cypress.com/pmic</a>             |
| Touch Sensing                 | <a href="http://cypress.com/touch">cypress.com/touch</a>           |
| USB Controllers               | <a href="http://cypress.com/usb">cypress.com/usb</a>               |
| Wireless Connectivity         | <a href="http://cypress.com/wireless">cypress.com/wireless</a>     |

#### PSoC® Solutions

[PSoC 1](#) | [PSoC 3](#) | [PSoC 4](#) | [PSoC 5LP](#) | [PSoC 6 MCU](#)

#### Cypress Developer Community

[Community](#) | [Projects](#) | [Video](#) | [Blogs](#) | [Training](#) | [Components](#)

#### Technical Support

[cypress.com/support](http://cypress.com/support)

Notice regarding compliance with Universal Serial Bus specification. Cypress offers firmware and hardware solutions that are certified to comply with the Universal Serial Bus specification, USB Type-C™ Cable and Connector Specification, and other specifications of USB Implementers Forum, Inc (USB-IF). You may use Cypress or third party software tools, including sample code, to modify the firmware for Cypress USB products. Modification of such firmware could cause the firmware/hardware combination to no longer comply with the relevant USB-IF specification. You are solely responsible ensuring the compliance of any modifications you make, and you must follow the compliance requirements of USB-IF before using any USB-IF trademarks or logos in connection with any modifications you make. In addition, if Cypress modifies firmware based on your specifications, then you are responsible for ensuring compliance with any desired standard or specifications as if you had made the modification. CYPRESS IS NOT RESPONSIBLE IN THE EVENT THAT YOU MODIFY OR HAVE MODIFIED A CERTIFIED CYPRESS PRODUCT AND SUCH MODIFIED PRODUCT NO LONGER COMPLIES WITH THE RELEVANT USB-IF SPECIFICATIONS.

© Cypress Semiconductor Corporation, 2016-2018. This document is the property of Cypress Semiconductor Corporation and its subsidiaries, including Spansion LLC ("Cypress"). This document, including any software or firmware included or referenced in this document ("Software"), is owned by Cypress under the intellectual property laws and treaties of the United States and other countries worldwide. Cypress reserves all rights under such laws and treaties and does not, except as specifically stated in this paragraph, grant any license under its patents, copyrights, trademarks, or other intellectual property rights. If the Software is not accompanied by a license agreement and you do not otherwise have a written agreement with Cypress governing the use of the Software, then Cypress hereby grants you a personal, non-exclusive, nontransferable license (without the right to sublicense) (1) under its copyright rights in the Software (a) for Software provided in source code form, to modify and reproduce the Software solely for use with Cypress hardware products, only internally within your organization, and (b) to distribute the Software in binary code form externally to end users (either directly or indirectly through resellers and distributors), solely for use on Cypress hardware product units, and (2) under those claims of Cypress's patents that are infringed by the Software (as provided by Cypress, unmodified) to make, use, distribute, and import the Software solely for use with Cypress hardware products. Any other use, reproduction, modification, translation, or compilation of the Software is prohibited.

TO THE EXTENT PERMITTED BY APPLICABLE LAW, CYPRESS MAKES NO WARRANTY OF ANY KIND, EXPRESS OR IMPLIED, WITH REGARD TO THIS DOCUMENT OR ANY SOFTWARE OR ACCOMPANYING HARDWARE, INCLUDING, BUT NOT LIMITED TO, THE IMPLIED WARRANTIES OF MERCHANTABILITY AND FITNESS FOR A PARTICULAR PURPOSE. No computing device can be absolutely secure. Therefore, despite security measures implemented in Cypress hardware or software products, Cypress does not assume any liability arising out of any security breach, such as unauthorized access to or use of a Cypress product. In addition, the products described in these materials may contain design defects or errors known as errata which may cause the product to deviate from published specifications. To the extent permitted by applicable law, Cypress reserves the right to make changes to this document without further notice. Cypress does not assume any liability arising out of the application or use of any product or circuit described in this document. Any information provided in this document, including any sample design information or programming code, is provided only for reference purposes. It is the responsibility of the user of this document to properly design, program, and test the functionality and safety of any application made of this information and any resulting product. Cypress products are not designed, intended, or authorized for use as critical components in systems designed or intended for the operation of weapons, weapons systems, nuclear installations, life-support devices or systems, other medical devices or systems (including resuscitation equipment and surgical implants), pollution control or hazardous substances management, or other uses where the failure of the device or system could cause personal injury, death, or property damage ("Unintended Uses"). A critical component is any component of a device or system whose failure to perform can be reasonably expected to cause the failure of the device or system, or to affect its safety or effectiveness. Cypress is not liable, in whole or in part, and you shall and hereby do release Cypress from any claim, damage, or other liability arising from or related to all Unintended Uses of Cypress products. You shall indemnify and hold Cypress harmless from and against all claims, costs, damages, and other liabilities, including claims for personal injury or death, arising from or related to any Unintended Uses of Cypress products.

Cypress, the Cypress logo, Spansion, the Spansion logo, and combinations thereof, WICED, PSoC, CapSense, EZ-USB, F-RAM, and Traveo are trademarks or registered trademarks of Cypress in the United States and other countries. For a more complete list of Cypress trademarks, visit [cypress.com](http://cypress.com). Other names and brands may be claimed as property of their respective owners.

## X-ON Electronics

Largest Supplier of Electrical and Electronic Components

*Click to view similar products for [USB Interface IC](#) category:*

*Click to view products by [Cypress](#) manufacturer:*

Other Similar products are found below :

[CY7C69356-48LTXC](#) [USB3319C-GJ-TR](#) [USB3370B-EZK-TR](#) [CYPD2120-24LQXI](#) [CYPD2122-20FNXIT](#) [CYPD2122-24LQXIT](#) [LIF-UC120-SWG36ITR50](#) [UPD360-A/6HX](#) [CP2102NP1174GM](#) [DPO2039DABQ-13](#) [CY7C68034-56LTXC](#) [TUSB212RWBT](#) [TUSB213IRGYT](#) [TUSB213RGYT](#) [USB3503T-I/ML](#) [CY7C63310-SXC](#) [USB3316C-CP-TR](#) [USB3250-ABZJ](#) [MAX3107ETG+](#) [LAN9514-JZX](#) [CYPD2120-24LQXIT](#) [MAX3100CEE+T](#) [USB5806/KD](#) [USB5826-I/KD](#) [USB5826/KD](#) [USB5906/KD](#) [USB5916/KD](#) [USB5926/KD](#) [TUSB215QRGYTQ1](#) [NB7NPQ701MMTTBG](#) [TUSB213RGYR](#) [USB5926-I/KD](#) [USB5906-I/KD](#) [USB4640I-HZH-03](#) [CY7C63813-SXC](#) [CY7C63823-SXC](#) [CY7C64215-28PVXC](#) [CY7C68013A-128AXC](#) [CY7C68013A-56LTXC](#) [CY7C68013A-56LTXI](#) [CY7C68013A-56PVXC](#) [CY7C68013A-56PVXI](#) [CYPD1120-40LQXI](#) [AP43771VDKZ-13](#) [AP43771VFBZ-13](#) [DIO32320MP10](#) [HT42B534-2](#) [KTU1001AEVA-TR](#) [KTU1108EFAA-TR](#) [LIF-UC120-CM36ITR50](#)