



Please note that Cypress is an Infineon Technologies Company.

The document following this cover page is marked as “Cypress” document as this is the company that originally developed the product. Please note that Infineon will continue to offer the product to new and existing customers as part of the Infineon product portfolio.

Continuity of document content

The fact that Infineon offers the following product as part of the Infineon product portfolio does not lead to any changes to this document. Future revisions will occur when appropriate, and any changes will be set out on the document history page.

Continuity of ordering part numbers

Infineon continues to support existing part numbers. Please continue to use the ordering part numbers listed in the datasheet for ordering.

General Description

HX3 is a family of USB 3.0 hub controllers compliant with the USB 3.0 specification revision 1.0. HX3 supports SuperSpeed (SS), Hi-Speed (HS), Full-Speed (FS), and Low-Speed (LS) on all the ports. It has integrated termination, pull-up, and pull-down resistors, and supports configuration options through pin-straps to reduce the overall BOM of the system.

HX3 includes the following Cypress-proprietary features:

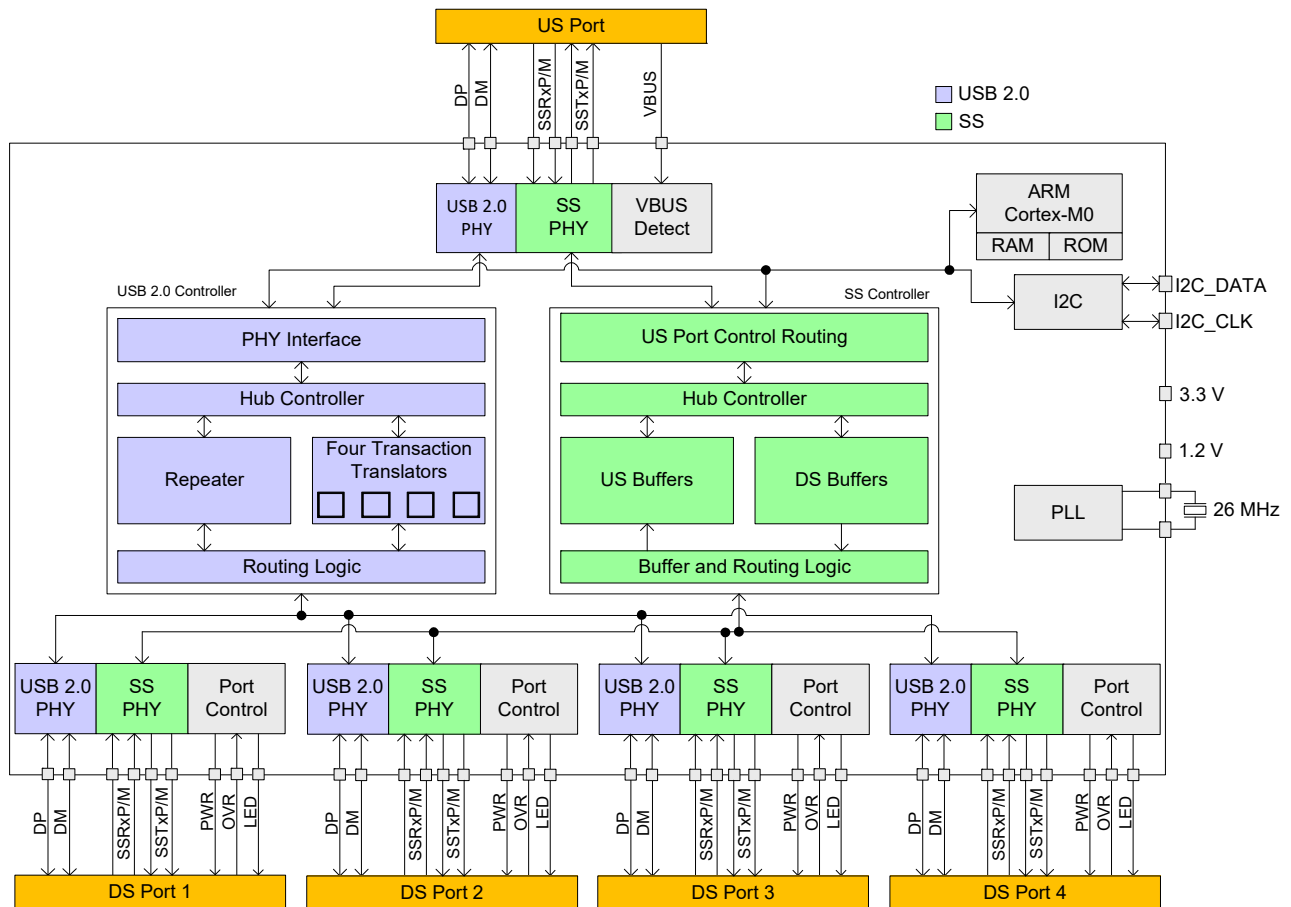
Shared Link™: Enables extra downstream (DS) ports for on-board connections in embedded applications

Ghost Charge™: Enables charging of devices connected to the DS ports when no host is connected on the upstream (US) port

Features

- USB-IF Certified Hub, TID# 330000060, 30000074
- Supports up to Four USB 3.0-Compliant DS ports
 - All ports support SS (5 Gbps), and are backward-compatible with HS (480 Mbps), FS (12 Mbps), and LS (1.5 Mbps)
 - SS and USB 2.0 Link Power Management (LPM)
 - Dedicated Hi-Speed Transaction Translators (Multi-TT)
 - LED status indicators – suspend, SS, and USB 2.0 operation
- Shared Link™ for Embedded Applications
 - Each DS port can simultaneously connect to an embedded SS device and a removable USB 2.0 device
 - Enables up to eight device connections
- Enhanced Battery Charging
 - Each DS port complies with the USB Battery Charging v1.2 (BC v1.2) specification
 - Ghost Charge™: Each DS port can emulate a Dedicated Charging Port (DCP) when the host is not connected to the US port
 - Accessory Charger Adapter Dock (ACA-Dock): Enables charging and simultaneous data transfer for a smart phone or a tablet acting as a host compliant to BC v1.2
 - Apple charging supported on all DS ports
- Integrated ARM® Cortex™-M0 CPU
 - 16 KB RAM, 32 KB ROM
 - Configure GPIOs for overcurrent protection, power enable, and LEDs
 - Upgrade firmware using (a) I²C EEPROM or (b) an external I²C master
- Vendor-Command Support to Implement a USB-to-I²C Bridge
 - Firmware upgrade of an external ASSP connected to HX3 through USB
 - In-System Programming (ISP) of the EEPROM connected to HX3 through USB
- Extensive Configuration Support
 - Pin-strap configuration for the following functions:
 - Vendor ID (VID)
 - Charging support for each DS port
 - Number of active ports
 - Number of non-removable devices
 - Ganged or individual power switch enables for DS ports
 - Power switch polarity selection
 - Custom configuration modes supported with eFuse, I²C EEPROM, or I²C slave
 - SS and USB 2.0 PHY parameters
 - Product ID (PID)/VID, manufacturer, and product string descriptors
 - Swap DP/DM signals for flexible PCB routing
- Software Features
 - Microsoft WHQL-certified for Windows XP/Vista/7/8/8.1
 - Compatible with Mac OS 10.9 and Linux kernel version 3.11
 - Customize configuration parameters with the easy-to-use Cypress's "Blaster Plus" software tool
- Flexible Packaging Options
 - 68-pin QFN (8 × 8 × 1.0 mm)
 - 88-pin QFN (10 × 10 × 1.0 mm)
 - 100-ball BGA (6 × 6 × 1.0 mm)
 - Industrial temperature range (–40 °C to +85 °C)

Block Diagram



Contents

| | | | |
|---------------------------------------|-----------|--|-----------|
| Architecture Overview | 4 | EMI | 33 |
| SS Hub Controller | 4 | ESD | 33 |
| USB 2.0 Hub Controller | 4 | Absolute Maximum Ratings | 34 |
| CPU | 4 | Electrical Specifications | 34 |
| I2C Interface | 4 | DC Electrical Characteristics | 34 |
| Port Controller | 4 | Power Consumption | 35 |
| Applications | 4 | Ordering Information | 36 |
| HX3 Product Options | 5 | Ordering Code Definitions | 37 |
| Product Features | 6 | Packaging | 38 |
| Shared Link | 6 | Package Diagrams | 39 |
| Ghost Charge | 6 | Acronyms | 41 |
| Vendor-Command Support | 7 | Reference Documents | 41 |
| ACA-Dock Support | 7 | Document Conventions | 41 |
| Pin Information | 8 | Units of Measure | 41 |
| System Interfaces | 24 | Silicon Revision History | 42 |
| Upstream Port (US) | 24 | Method of Identification | 42 |
| Downstream Ports (DS1, 2, 3, 4) | 24 | Document History Page | 43 |
| Communication Interfaces (I2C) | 24 | Sales, Solutions, and Legal Information | 45 |
| Oscillator | 24 | Worldwide Sales and Design Support | 45 |
| GPIOs | 24 | Products | 45 |
| Power Control | 24 | PSoC® Solutions | 45 |
| Reset | 24 | Cypress Developer Community | 45 |
| Configuration Mode Select | 24 | Technical Support | 45 |
| Configuration Options | 25 | | |

Architecture Overview

The [Block Diagram on page 2](#) shows the HX3 architecture. HX3 consists of two independent hub controllers (SS and USB 2.0), the Cortex-M0 CPU subsystem, an I²C interface, and port controller blocks.

SS Hub Controller

This block supports the SS hub functionality based on the USB 3.0 specification. The SS hub controller supports the following:

- SS link power management (U0, U1, U2, U3 states)
- Full-duplex data transmission

USB 2.0 Hub Controller

This block supports the LS, FS, and HS hub functionalities. It includes the repeater, frame timer, and four transaction translators.

The USB 2.0 hub controller block supports the following:

- USB 2.0 link power management (L0, L1, L2, L3 states)
- Suspend, resume, and remote wake-up signaling
- Multi-TT (one TT for each DS port)

CPU

The ARM Cortex-M0 CPU subsystem is used for the following functions:

- System configuration and initialization
- Battery charging control
- Vendor-specific commands for the USB-to-I²C bridge
- String-descriptor support
- Suspend status indicator
- Shared Link support in embedded systems

I²C Interface

The I²C interface in HX3 supports the following:

- I²C Slave, Master, and Multi-master configurations
 - Configure HX3 by an external I²C master in I²C slave mode
 - Configure HX3 from an I²C EEPROM
 - Multi-master mode to share EEPROM with other I²C masters
- In-System Programming of the I²C EEPROM from HX3's US port

Port Controller

The port controller block controls DS port power to comply with the BC v1.2 and USB 3.0 specifications. This block also controls the US port power in the ACA-Dock mode. Control signals for external power switches are implemented within the chip. HX3 controls the external power switches at power-on to reduce in-rush current.

The port controller block supports the following:

- Overcurrent detection
- SS and USB 2.0 port indicators for each DS port
- Ganged and individual power control modes
- Automatic port numbering based on active ports

Applications

- Standalone hubs
- PC and tablet motherboards
- Docking station
- Hand-held cradles
- Monitors
- Digital TVs
- Set-top boxes
- Printers

HX3 Product Options

Table 1. HX3 Product Options

| Features | CYUSB3302 | CYUSB3304 | CYUSB3312 | CYUSB3314 | CYUSB3324 | CYUSB3326 | CYUSB3328 | CYUSB2302 | CYUSB2304 |
|-------------------------------|---------------------------|---------------------------|---------------------------|---------------------------|---------------------------|--------------------------------|---|---------------------------|---------------------------|
| Number of DS ports | 2 (USB 3.0) | 4 (USB 3.0) | 2 (USB 3.0) | 4 (USB 3.0) | 4 (USB 3.0) | 6 (2 USB 3.0, 2 SS, 2 USB 2.0) | 8 (4 SS, 4 USB 2.0) | 2 (USB 2.0) | 4 (USB 2.0) |
| Number of Shared Link ports | 0 | 0 | 0 | 0 | 0 | 2 ^[1] | 4 | 0 | 0 |
| BC v1.2 | Yes | Yes | Yes | Yes | Yes | Yes | Yes | Yes | Yes |
| ACA-Dock | No | No | No | No | Yes | No | Yes | No | No |
| External Power Switch Control | Ganged | Ganged | Individual and Ganged | Individual and Ganged | Individual and Ganged | Individual | Individual | Ganged | Ganged |
| Pin-Strap support | No | No | Yes | Yes | Yes | Yes | Yes | No | No |
| I ² C | Yes | Yes | Yes | Yes | Yes | Yes | Yes | Yes | Yes |
| Vendor command | Yes | Yes | Yes | Yes | Yes | Yes | Yes | Yes | Yes |
| Port indicators | No | No | Yes | Yes | Yes | No | No | No | No |
| Packages ^[2] | 68-QFN, 100-ball BGA | 68-QFN, 100-ball BGA | 88-QFN, 100-ball BGA | 88-QFN, 100-ball BGA | 88-QFN, 100-ball BGA | 88-QFN, 100-ball BGA | 88-QFN, 100-ball BGA | 68-QFN, 100-ball BGA | 68-QFN, 100-ball BGA |
| Temperature range | Industrial and Commercial | Industrial and Commercial | Industrial and Commercial | Industrial and Commercial | Industrial and Commercial | Industrial and Commercial | Industrial (88-QFN only) and Commercial | Industrial and Commercial | Industrial and Commercial |

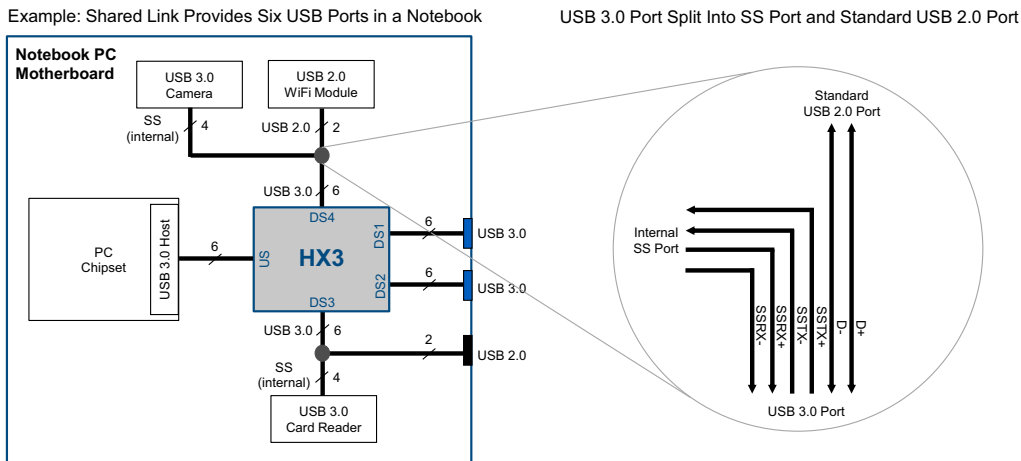
Notes

1. DS1 and DS2 are Shared link Ports.
2. BGA Industrial Grade packages are limited to 1 W of active power. For power calculations refer to [Table 12](#) on page 35.

Product Features

Shared Link

Figure 1. Application of Shared Link in a Notebook



Shared Link is a Cypress-proprietary feature that enables a USB 3.0 port to be split into an embedded SS port and a standard USB 2.0 port. Shared Link enables a maximum of eight DS ports from a four-port USB 3.0 hub.

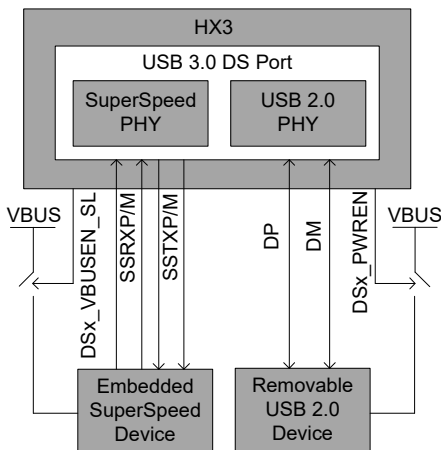
For example, if one of the DS ports is connected to an embedded SS device, such as a USB 3.0 camera, HX3 enables the system designer to reuse the USB 2.0 signals of that specific port to connect to a standard USB 2.0 port. Figure 1 shows how Shared Link can be used in an application.

DSx_PWREN is another output signal generated by HX3 and controls VBUS for the removable USB 2.0 device. For example, when an overcurrent condition occurs, DSx_PWREN turns off the port power.

Ghost Charge

Ghost Charge is a Cypress-proprietary feature for charging USB devices on the DS port when the US port is not connected to a host. For example, in a docking station with HX3 as shown in Figure 3, when the laptop is undocked, HX3 will emulate a dedicated charging port (DCP) to provide charge to a phone connected on a DS port.

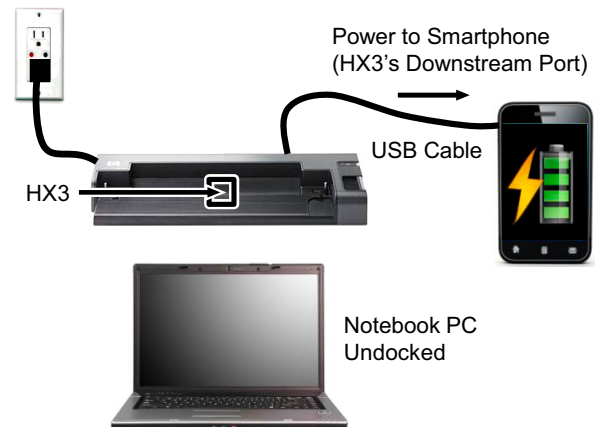
Figure 2. DS Port VBUS Control in Shared Link



The Shared Link mode requires a separate VBUS control for the removable USB 2.0 device and the embedded SS device. Figure 2 shows the VBUS control implementation.

To ensure that the embedded SS device does not fall back to USB 2.0 operation, an external power switch is required. This switch is controlled by HX3, which generates an output signal called DSx_VBUSEN_SL. This signal controls the VBUS for the embedded device.

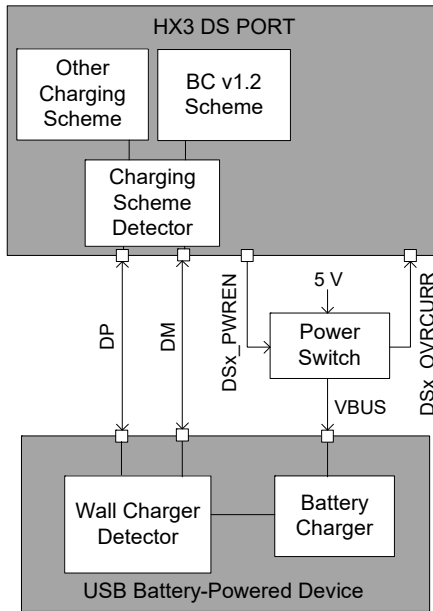
Figure 3. Ghost Charge



Charge a smartphone without docking the notebook

When the US port is disconnected from the host, HX3 detects if any of the DS ports are connected to a device requesting charging. It determines the charging method and then switches to the appropriate signaling based on the detected charging specification as shown in Figure 4. The hub either emulates a USB-compliant dedicated charging port by connecting DP and DM (see the BC v1.2 specification) or other supported proprietary charging schemes.

Figure 4. Ghost Charge Implementation in HX3



Ghost Charge is enabled by default and can be disabled through configuration. Refer to Configuration Options on page 25.

Vendor-Command Support

HX3 supports vendor-specific requests and can also enumerate as a vendor-specific device. The vendor-specific request can be used to (a) bridge USB and I²C and (b) configure HX3. This feature can be used for the following applications:

- Firmware upgrade of an external ASSP connected to HX3 through USB
- In-System programming (ISP) of an EEPROM connected to HX3 through USB

Note

3. 124 kΩ is the recommended RID_A value as per BC v1.2 specification, but some portable devices use custom RID_A values.

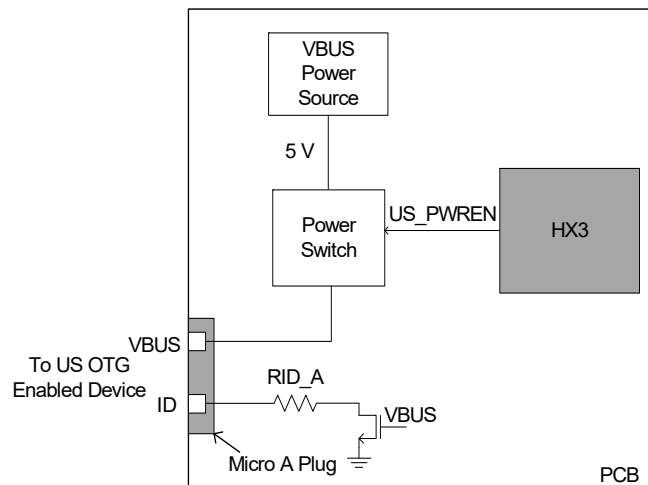
ACA-Dock Support

In traditional USB topologies, the host provides VBUS to enable and charge the connected devices. For OTG hosts, however, an ACA-Dock provides VBUS and a method to charge the host. HX3 supports the ACA-Dock standard (see BC v1.2 specification) by integrating the functions of the adapter controller.

Figure 5 shows the ACA-Dock system. If the ACA-Dock feature is enabled, HX3 turns on the external power switch to drive VBUS on the US port. To inform the OTG host that it is connected to an ACA-Dock, the ID pin is tied to ground using a resistor RID_A³ as shown in Figure 5. The ACA-Dock feature can be disabled using the Configuration Options on page 25.

For example, a BC v1.2 compliant phone such as a Sony Xperia (neo V) can be docked to a HX3-based ACA-Dock system. The phone acts as an OTG host and the ACA-Dock charges the phone connected to the US port while also powering the four DS ports.

Figure 5. ACA-Dock Support



Pin Information

Figure 6. HX3 68-Pin QFN 2-Port Pinout

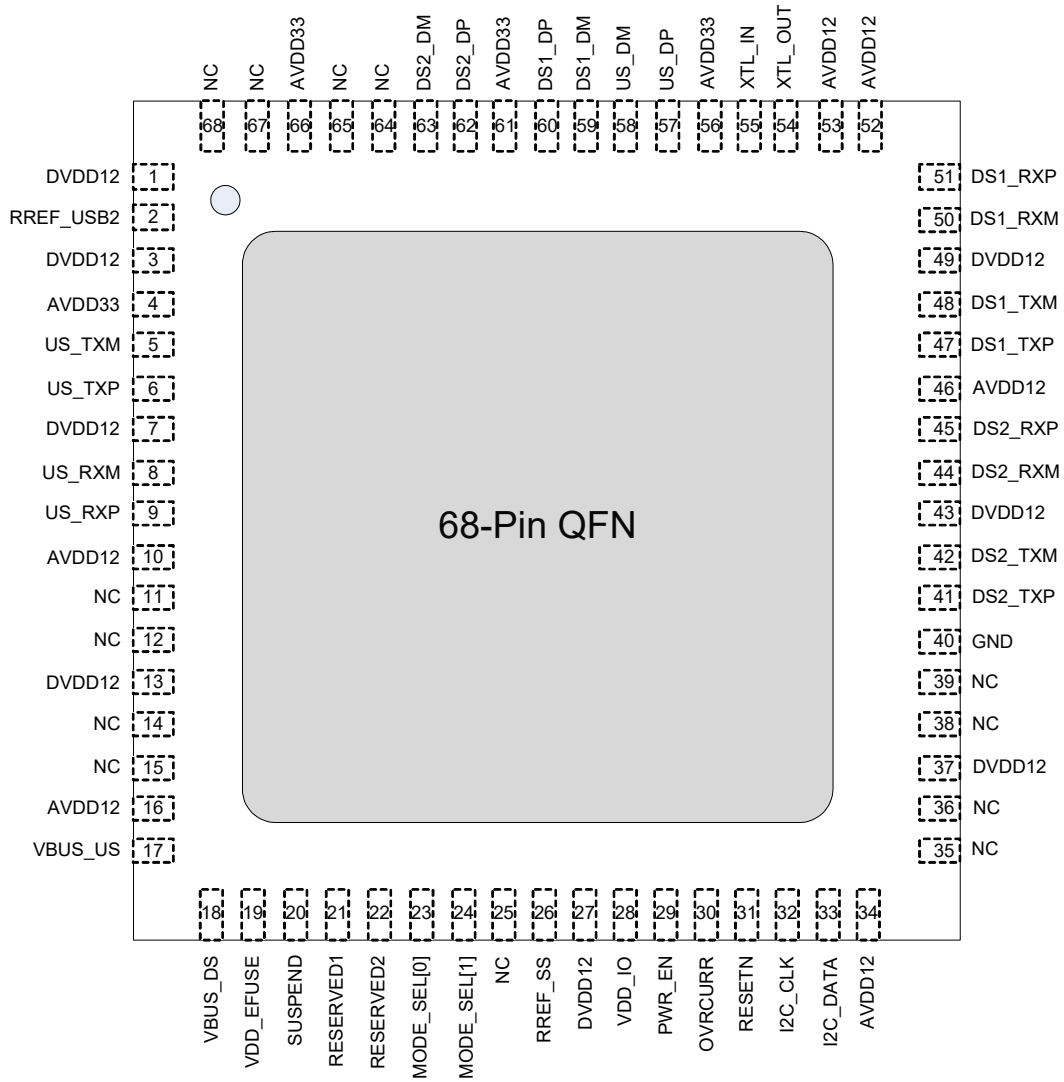


Figure 7. HX3 68-Pin QFN 4-Port Pinout

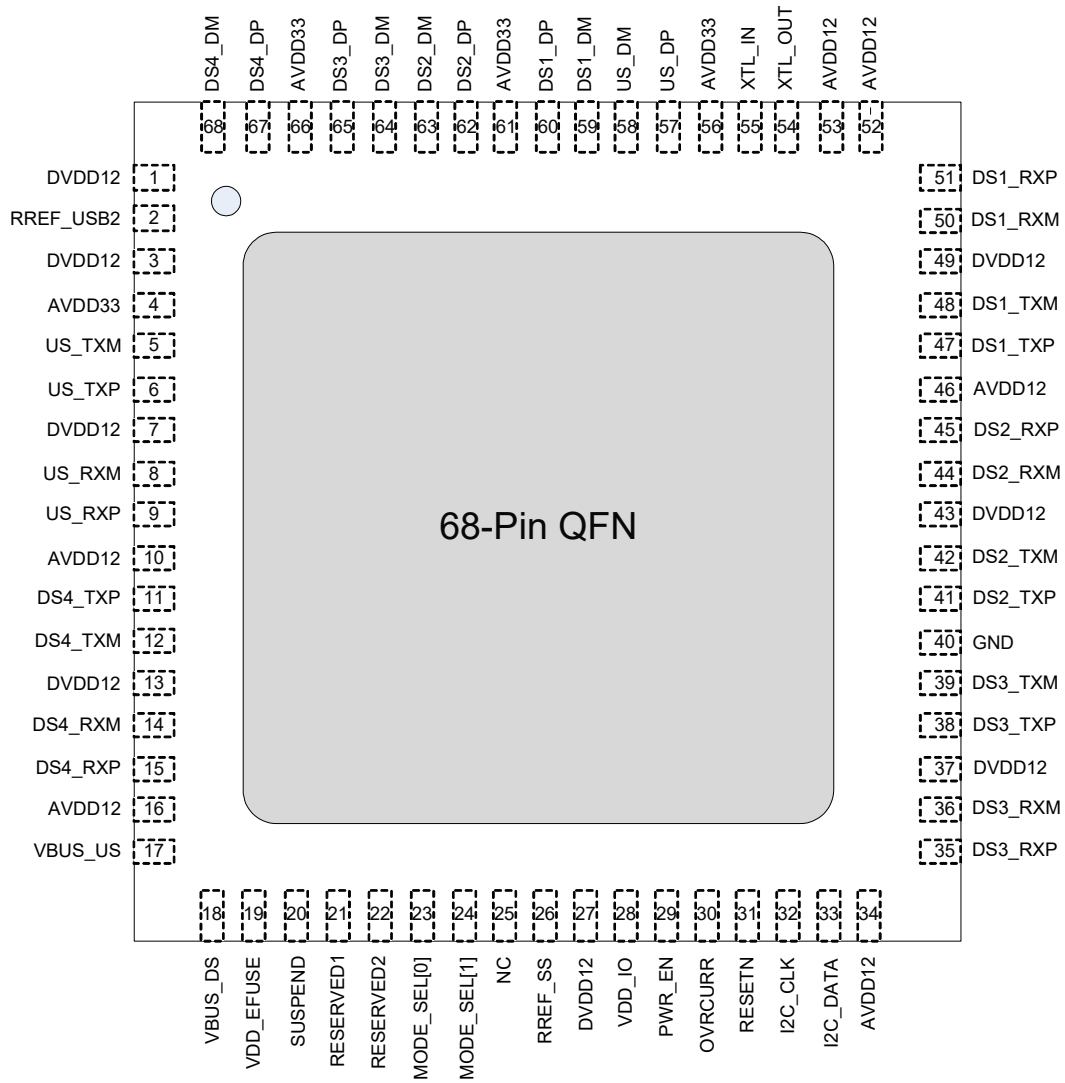


Figure 8. HX3 100-Ball BGA Pinout for CYUSB3302

| | | | | | | | | | |
|-----------|---------------|---------------|-----------------|-----------------|-------------|-----------|-----------|-----------|------------|
| A1 | A2 | A3 | A4 | A5 | A6 | A7 | A8 | A9 | A10 |
| NC | NC | NC | AVDD33 | DS2_DM | DS2_DP | AVDD33 | US_DM | US_DP | AVDD12 |
| B1 | B2 | B3 | B4 | B5 | B6 | B7 | B8 | B9 | B10 |
| NC | NC | NC | VDD_IO | VSS | AVDD33 | NC | NC | NC | DVDD12 |
| C1 | C2 | C3 | C4 | C5 | C6 | C7 | C8 | C9 | C10 |
| US_TXM | NC | NC | NC | NC | VSS | DS1_DP | DS1_DM | AVDD12 | DS1_RXM |
| D1 | D2 | D3 | D4 | D5 | D6 | D7 | D8 | D9 | D10 |
| US_TXP | NC | NC | DVDD12 | VSS | DVDD12 | VSS | DVDD12 | VSS | DS1_RXP |
| E1 | E2 | E3 | E4 | E5 | E6 | E7 | E8 | E9 | E10 |
| DVDD12 | RREF_US B2 | NC | NC | XTL_IN | XTL_OUT | VDD_IO | DS1_TXM | VSS | DVDD12 |
| F1 | F2 | F3 | F4 | F5 | F6 | F7 | F8 | F9 | F10 |
| US_RXM | VSS | AVDD33 | MODE_SE L[1] | DVDD12 | OVRCUR R | RESETN | DS1_TXP | AVDD12 | DS2_RXP |
| G1 | G2 | G3 | G4 | G5 | G6 | G7 | G8 | G9 | G10 |
| US_RXP | VBUS_DS | SUSPEND | RESERVE D1 | MODE_SE L[0] | VDD_IO | PWR_EN | I2C_DATA | VSS | DS2_RXM |
| H1 | H2 | H3 | H4 | H5 | H6 | H7 | H8 | H9 | H10 |
| AVDD12 | VBUS_US | VDD_EFU SE | RESERVE D2 | RREF_SS | VSS | DS2_TXM | DS2_TXP | NC | AVDD12 |
| J1 | J2 | J3 | J4 | J5 | J6 | J7 | J8 | J9 | J10 |
| VSS | AVDD12 | VSS | GPIO | NC | I2C_CLK | NC | NC | VSS | NC |
| K1 | K2 | K3 | K4 | K5 | K6 | K7 | K8 | K9 | K10 |
| NC | NC | DVDD12 | NC | NC | NC | NC | NC | DVDD12 | NC |

Figure 9. HX3 100-Ball BGA Pinout for CYUSB3304

| A1 | A2 | A3 | A4 | A5 | A6 | A7 | A8 | A9 | A10 |
|---------|---------------|---------------|-----------------|-----------------|-------------|---------|----------|--------|---------|
| NC | DS4_DM | DS4_DP | AVDD33 | DS2_DM | DS2_DP | AVDD33 | US_DM | US_DP | AVDD12 |
| B1 | B2 | B3 | B4 | B5 | B6 | B7 | B8 | B9 | B10 |
| NC | NC | NC | VDD_IO | VSS | AVDD33 | NC | NC | NC | DVDD12 |
| C1 | C2 | C3 | C4 | C5 | C6 | C7 | C8 | C9 | 10 |
| US_TXM | NC | NC | DS3_DP | DS3_DM | VSS | DS1_DP | DS1_DM | AVDD12 | DS1_RXM |
| D1 | D2 | D3 | D4 | D5 | D6 | D7 | D8 | D9 | D10 |
| US_TXP | NC | NC | DVDD12 | VSS | DVDD12 | VSS | DVDD12 | VSS | DS1_RXP |
| E1 | E2 | E3 | E4 | E5 | E6 | E7 | E8 | E9 | E10 |
| DVDD12 | RREF_US B2 | NC | NC | XTL_IN | XTL_OUT | VDD_IO | DS1_TXM | VSS | DVDD12 |
| F1 | F2 | F3 | F4 | F5 | F6 | F7 | F8 | F9 | F10 |
| US_RXM | VSS | AVDD33 | MODE_SE L[1] | DVDD12 | OVRCUR R | RESETN | DS1_TXP | AVDD12 | DS2_RXP |
| G1 | G2 | G3 | G4 | G5 | G6 | G7 | G8 | G9 | G10 |
| US_RXP | VBUS_DS | SUSPEND | RESERVE D1 | MODE_SE L[0] | VDD_IO | PWR_EN | I2C_DATA | VSS | DS2_RXM |
| H1 | H2 | H3 | H4 | H5 | H6 | H7 | H8 | H9 | H10 |
| AVDD12 | VBUS_US | VDD_EFU SE | RESERVE D2 | RREF_SS | VSS | DS2_TXM | DS2_TXP | NC | AVDD12 |
| J1 | J2 | J3 | J4 | J5 | J6 | J7 | J8 | J9 | J10 |
| VSS | AVDD12 | VSS | GPIO | NC | I2C_CLK | NC | NC | VSS | DS3_RXM |
| K1 | K2 | K3 | K4 | K5 | K6 | K7 | K8 | K9 | K10 |
| DS4_TXP | DS4_TXM | DVDD12 | DS4_RXP | DS4_RXM | NC | DS3_TXP | DS3_TXM | DVDD12 | DS3_RXP |

Table 2. 68-Pin QFN, 100-Ball BGA Pinout for CYUSB3302 and CYUSB3304

| Pin Name | | Type | 68-QFN Pin# | 100-BGA Ball # | Description |
|-----------------|-----------|------|-------------|----------------|----------------------------|
| CYUSB3302 | CYUSB3304 | | | | |
| US Port | | | | | |
| | US_RXP | I | 9 | G1 | SuperSpeed receive plus |
| | US_RXM | I | 8 | F1 | SuperSpeed receive minus |
| | US_TXP | O | 6 | D1 | SuperSpeed transmit plus |
| | US_TXM | O | 5 | C1 | SuperSpeed transmit minus |
| | US_DP | I/O | 57 | A9 | USB 2.0 data plus |
| | US_DM | I/O | 58 | A8 | USB 2.0 data minus |
| DS1 Port | | | | | |
| | DS1_RXP | I | 51 | D10 | SuperSpeed receive plus |
| | DS1_RXM | I | 50 | C10 | SuperSpeed receive minus |
| | DS1_TXP | O | 47 | F8 | SuperSpeed transmit plus |
| | DS1_TXM | O | 48 | E8 | SuperSpeed transmit minus |
| | DS1_DP | I/O | 60 | C7 | USB 2.0 data plus |
| | DS1_DM | I/O | 59 | C8 | USB 2.0 data minus |
| DS2 Port | | | | | |
| | DS2_RXP | I | 45 | F10 | SuperSpeed receive plus |
| | DS2_RXM | I | 44 | G10 | SuperSpeed receive minus |
| | DS2_TXP | O | 41 | H8 | SuperSpeed transmit plus |
| | DS2_TXM | O | 42 | H7 | SuperSpeed transmit minus |
| | DS2_DP | I/O | 62 | A6 | USB 2.0 data plus |
| | DS2_DM | I/O | 63 | A5 | USB 2.0 data minus |
| DS3 Port | | | | | |
| NC | DS3_RXP | I | 35 | K10 | SuperSpeed receive plus |
| NC | DS3_RXM | I | 36 | J10 | SuperSpeed receive minus |
| NC | DS3_TXP | O | 38 | K7 | SuperSpeed transmit plus |
| NC | DS3_TXM | O | 39 | K8 | SuperSpeed transmit minus |
| NC | DS3_DP | I/O | 65 | C4 | USB 2.0 data plus |
| NC | DS3_DM | I/O | 64 | C5 | USB 2.0 data minus |
| DS4 Port | | | | | |
| NC | DS4_RXP | I | 15 | K4 | SuperSpeed receive plus |
| NC | DS4_RXM | I | 14 | K5 | SuperSpeed receive minus |
| NC | DS4_TXP | O | 11 | K1 | SuperSpeed transmit plus |
| NC | DS4_TXM | O | 12 | K2 | SuperSpeed transmit minus |
| NC | DS4_DP | I/O | 67 | A3 | USB 2.0 data plus |
| NC | DS4_DM | I/O | 68 | A2 | USB 2.0 data minus |
| | OVRCURR | I | 30 | F6 | Ganged overcurrent input |
| | PWR_EN | I/O | 29 | G7 | Ganged power enable output |

Table 2. 68-Pin QFN, 100-Ball BGA Pinout for CYUSB3302 and CYUSB3304 (continued)

| Pin Name | | Type | 68-QFN Pin# | 100-BGA Ball # | Description |
|--------------------------------------|-----------|------|------------------------------|--|---|
| CYUSB3302 | CYUSB3304 | | | | |
| NC | | I/O | 25 | NA | NC |
| RESERVED1 | | I/O | 21 | G4 | This pin must be pulled HIGH using a 10 k Ω to VDD_IO. |
| RESERVED2 | | I | 22 | H4 | This pin must be pulled HIGH using a 10 k Ω to VDD_IO. |
| Mode Select, Clock, and Reset | | | | | |
| MODE_SEL[0] | | I | 23 | G5 | Device operation mode select bit 0; refer to Table 5 on page 24 |
| MODE_SEL[1] | | I | 24 | F4 | Device operation mode select bit 1; refer to Table 5 on page 24 |
| XTL_OUT | | A | 54 | E6 | Crystal out |
| XTL_IN | | A | 55 | E5 | Crystal in |
| RESETN | | I | 31 | F7 | Active LOW reset input |
| I2C_CLK | | I/O | 32 | J6 | I ² C clock |
| I2C_DATA | | I/O | 33 | G8 | I ² C data |
| SUSPEND | | I/O | 20 | G3 | Hub suspend status indicator. This pin is asserted if both the SS and USB 2.0 hubs are in the suspend state and is de-asserted when either of the hubs comes out of the suspend state. |
| Power and Ground | | | | | |
| VDD_EFUSE | | PWR | 19 | H3 | 1.2 V normal operation, 2.5 V for programming. Customers should connect to 1.2 V. |
| AVDD12 | | PWR | 10, 16, 34, 46, 52, 53 | A10, C9, F9, H1, H10, J2 | 1.2 V analog supply |
| GND | | PWR | 40 | B5, C6, D5, D7, D9, E9, F2, G9, H6, J1, J3, J9 | GND pin |
| DVDD12 | | PWR | 1, 3, 7, 13, 27, 37, 43, 49, | B10, D4, D6, D8, E1, E10, F5, K3, K9 | 1.2 V core supply |
| VBUS_US | | PWR | 17 | H2 | This pin must be connected to VBUS from US port |
| VBUS_DS | | PWR | 18 | G2 | This pin is used to power the Apple-charging circuit in HX3. For normal operation, connect pin to local 5 V supply to enable Apple charging and BC v1.2 charging modes (enable multi-charger mode). For BC v1.2 compliance testing or when Apple charging is not required, connect pin to GND to enable BC v1.2 charging mode (disable multi-charger mode). |
| AVDD33 | | PWR | 4, 56, 61, 66 | A4, A7, B6, F3 | 3.3 V analog supply |
| VDD_IO | | PWR | 28 | B4, E7, G6 | 3.3 V I/O supply |
| USB Precision Resistors | | | | | |
| RREF_USB2 | | A | 2 | E2 | Connect pin to a precision resistor (6.04 k Ω \pm 1%) to generate a current reference for USB 2.0 PHY. |
| RREF_SS | | A | 26 | H5 | Connect pin to a precision resistor (200 Ω \pm 1%) for SS PHY termination impedance calibration. |

Note

4. These pins are Do Not Use (DNU); they must be left floating.

Table 3. 68-Pin QFN, 100-Ball BGA Pinout for CYUSB2302 and CYUSB2304

| Pin Name | | Type | 68-QFN Pin# | 100-BGA Ball # | Description |
|-----------------|-----------|------|-------------|----------------|----------------------------|
| CYUSB2302 | CYUSB2304 | | | | |
| US Port | | | | | |
| NC | | I | 9 | G1 | SuperSpeed receive plus |
| NC | | I | 8 | F1 | SuperSpeed receive minus |
| NC | | O | 6 | D1 | SuperSpeed transmit plus |
| NC | | O | 5 | C1 | SuperSpeed transmit minus |
| US_DP | | I/O | 57 | A9 | USB 2.0 data plus |
| US_DM | | I/O | 58 | A8 | USB 2.0 data minus |
| DS1 Port | | | | | |
| NC | | I | 51 | D10 | SuperSpeed receive plus |
| NC | | I | 50 | C10 | SuperSpeed receive minus |
| NC | | O | 47 | F8 | SuperSpeed transmit plus |
| NC | | O | 48 | E8 | SuperSpeed transmit minus |
| DS1_DP | | I/O | 60 | C7 | USB 2.0 data plus |
| DS1_DM | | I/O | 59 | C8 | USB 2.0 data minus |
| DS2 Port | | | | | |
| NC | | I | 45 | F10 | SuperSpeed receive plus |
| NC | | I | 44 | G10 | SuperSpeed receive minus |
| NC | | O | 41 | H8 | SuperSpeed transmit plus |
| NC | | O | 42 | H7 | SuperSpeed transmit minus |
| DS2_DP | | I/O | 62 | A6 | USB 2.0 data plus |
| DS2_DM | | I/O | 63 | A5 | USB 2.0 data minus |
| DS3 Port | | | | | |
| NC | NC | I | 35 | K10 | SuperSpeed receive plus |
| NC | NC | I | 36 | J10 | SuperSpeed receive minus |
| NC | NC | O | 38 | K7 | SuperSpeed transmit plus |
| NC | NC | O | 39 | K8 | SuperSpeed transmit minus |
| NC | DS3_DP | I/O | 65 | C4 | USB 2.0 data plus |
| NC | DS3_DM | I/O | 64 | C5 | USB 2.0 data minus |
| DS4 Port | | | | | |
| NC | NC | I | 15 | K4 | SuperSpeed receive plus |
| NC | NC | I | 14 | K5 | SuperSpeed receive minus |
| NC | NC | O | 11 | K1 | SuperSpeed transmit plus |
| NC | NC | O | 12 | K2 | SuperSpeed transmit minus |
| NC | DS4_DP | I/O | 67 | A3 | USB 2.0 data plus |
| NC | DS4_DM | I/O | 68 | A2 | USB 2.0 data minus |
| OVRCURR | | I | 30 | F6 | Ganged overcurrent input |
| PWR_EN | | I/O | 29 | G7 | Ganged power enable output |

Table 3. 68-Pin QFN, 100-Ball BGA Pinout for CYUSB2302 and CYUSB2304 (continued)

| Pin Name | | Type | 68-QFN Pin# | 100-BGA Ball # | Description |
|--------------------------------------|-----------|------|------------------------------|--|---|
| CYUSB2302 | CYUSB2304 | | | | |
| NC | | I/O | 25 | NA | NC |
| RESERVED1 | | I/O | 21 | G4 | This pin must be pulled HIGH using a 10 k Ω to VDD_IO. |
| RESERVED2 | | I | 22 | H4 | This pin must be pulled HIGH using a 10 k Ω to VDD_IO. |
| Mode Select, Clock, and Reset | | | | | |
| MODE_SEL[0] | | I | 23 | G5 | Device operation mode select bit 0; refer to Table 5 on page 24 |
| MODE_SEL[1] | | I | 24 | F4 | Device operation mode select bit 1; refer to Table 5 on page 24 |
| XTL_OUT | | A | 54 | E6 | Crystal out |
| XTL_IN | | A | 55 | E5 | Crystal in |
| RESETN | | I | 31 | F7 | Active LOW reset input |
| I2C_CLK | | I/O | 32 | J6 | I ² C clock |
| I2C_DATA | | I/O | 33 | G8 | I ² C data |
| SUSPEND | | I/O | 20 | G3 | Hub suspend status indicator. This pin is asserted if both the SS and USB 2.0 hubs are in the suspend state and is de-asserted when either of the hubs comes out of the suspend state. |
| Power and Ground | | | | | |
| VDD_EFUSE | | PWR | 19 | H3 | 1.2 V normal operation, 2.5 V for programming. Customers should connect to 1.2 V. |
| AVDD12 | | PWR | 10, 16, 34, 46, 52, 53 | A10, C9, F9, H1, H10, J2 | 1.2 V analog supply |
| GND | | PWR | 40 | B5, C6, D5, D7, D9, E9, F2, G9, H6, J1, J3, J9 | GND pin |
| DVDD12 | | PWR | 1, 3, 7, 13, 27, 37, 43, 49, | B10, D4, D6, D8, E1, E10, F5, K3, K9 | 1.2 V core supply |
| VBUS_US | | PWR | 17 | H2 | This pin must be connected to VBUS from US port |
| VBUS_DS | | PWR | 18 | G2 | This pin is used to power the Apple-charging circuit in HX3. For normal operation, connect pin to local 5 V supply to enable Apple charging and BC v1.2 charging modes (enable multi-charger mode). For BC v1.2 compliance testing or when Apple charging is not required, connect pin to GND to enable BC v1.2 charging mode (disable multi-charger mode). |
| AVDD33 | | PWR | 4, 56, 61, 66 | A4, A7, B6, F3 | 3.3 V analog supply |
| VDD_IO | | PWR | 28 | B4, E7, G6 | 3.3 V I/O supply |
| USB Precision Resistors | | | | | |
| RREF_USB2 | | A | 2 | E2 | Connect pin to a precision resistor (6.04 k Ω \pm 1%) to generate a current reference for USB 2.0 PHY. |
| RREF_SS | | A | 26 | H5 | Connect pin to a precision resistor (200 Ω \pm 1%) for SS PHY termination impedance calibration. |

Figure 10. HX3 88-Pin QFN 2-Port Pinout

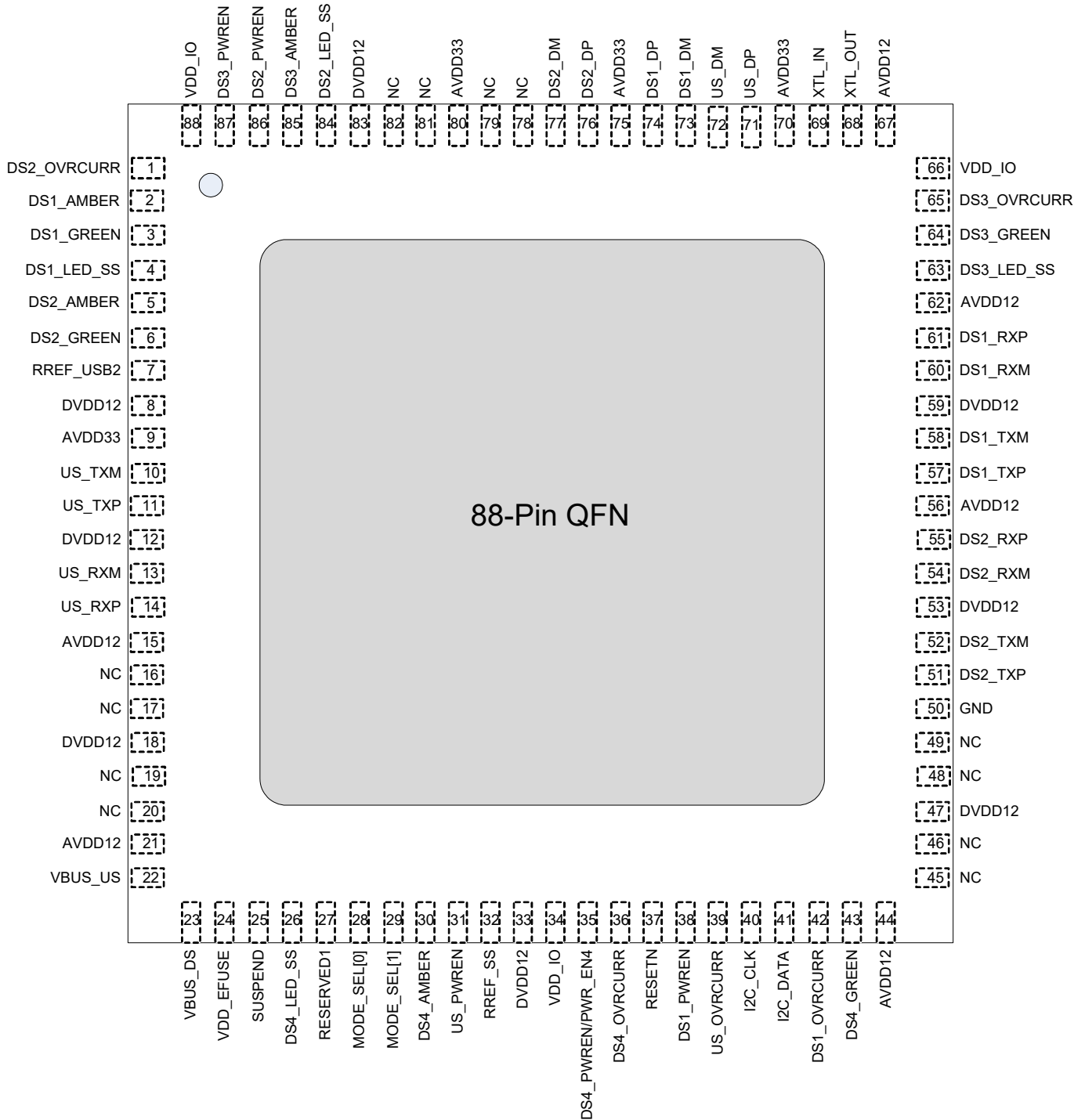


Figure 11. HX3 88-Pin QFN 4-Port Pinout

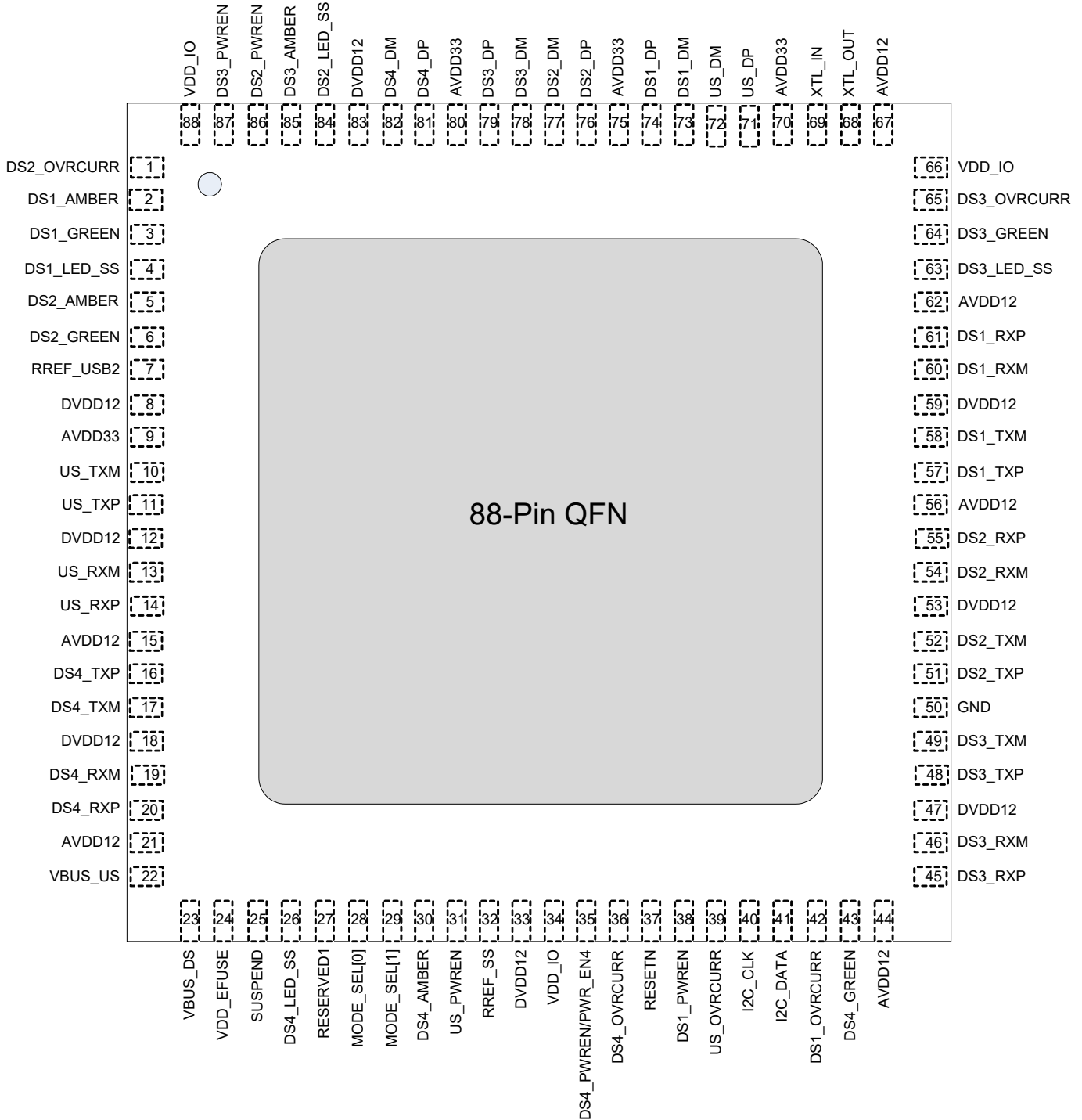


Figure 12. HX3 100-Ball BGA Pinout for CYUSB3312

| A1 | A2 | A3 | A4 | A5 | A6 | A7 | A8 | A9 | A10 |
|-----------------|----------------|----------------|-----------------|-----------------|-----------------|-----------------|-----------------|----------------|---------|
| DS3_PWR EN | NC | NC | AVDD33 | DS2_DM | DS2_DP | AVDD33 | US_DM | US_DP | AVDD12 |
| B1 | B2 | B3 | B4 | B5 | B6 | B7 | B8 | B9 | B10 |
| DS2_OVR CURR | DS2_PWR EN | DS3_AMBE R | VDD_IO | VSS | AVDD33 | DS3_OVR CURR | DS3_GREE N | DS3_LED_ SS | DVDD12 |
| C1 | C2 | C3 | C4 | C5 | C6 | C7 | C8 | C9 | C10 |
| US_TXM | DS1_AMBE R | DS2_LED_ SS | NC | NC | VSS | DS1_DP | DS1_DM | AVDD12 | DS1_RXM |
| D1 | D2 | D3 | D4 | D5 | D6 | D7 | D8 | D9 | D10 |
| US_TXP | DS1_LED_ SS | DS1_GREE N | DVDD12 | VSS | DVDD12 | VSS | DVDD12 | VSS | DS1_RXP |
| E1 | E2 | E3 | E4 | E5 | E6 | E7 | E8 | E9 | E10 |
| DVDD12 | RREF_USB 2 | DS2_GREE N | DS2_AMBE R | XTL_IN | XTL_OUT | VDD_IO | DS1_TXM | VSS | DVDD12 |
| F1 | F2 | F3 | F4 | F5 | F6 | F7 | F8 | F9 | F10 |
| US_RXM | VSS | AVDD33 | MODE_SE L[1] | DVDD12 | DS4_OVR CURR | RESETN | DS1_TXP | AVDD12 | DS2_RXP |
| G1 | G2 | G3 | G4 | G5 | G6 | G7 | G8 | G9 | G10 |
| US_RXP | VBUS_DS | SUSPEND | RESERVE D1 | MODE_SE L[0] | VDD_IO | DS4_PWR EN | I2C_DATA | VSS | DS2_RXM |
| H1 | H2 | H3 | H4 | H5 | H6 | H7 | H8 | H9 | H10 |
| AVDD12 | VBUS_US | VDD_EFUS E | DS4_LED_ SS | RREF_SS | VSS | DS2_TXM | DS2_TXP | DS4_GREE N | AVDD12 |
| J1 | J2 | J3 | J4 | J5 | J6 | J7 | J8 | J9 | J10 |
| VSS | AVDD12 | VSS | DS4_AMBE R | US_PWRE N | I2C_CLK | DS1_PWR EN | DS1_OVR CURR | VSS | NC |
| K1 | K2 | K3 | K4 | K5 | K6 | K7 | K8 | K9 | K10 |
| NC | NC | DVDD12 | NC | NC | US_OVRC URR | NC | NC | DVDD12 | NC |

Figure 13. HX3 100-Ball BGA Pinout for CYUSB3314, CYUSB332x

| A1 | A2 | A3 | A4 | A5 | A6 | A7 | A8 | A9 | A10 |
|-----------------|----------------|----------------|-----------------|-----------------|-----------------|-----------------|-----------------|----------------|---------|
| DS3_PWR EN | DS4_DM | DS4_DP | AVDD33 | DS2_DM | DS2_DP | AVDD33 | US_DM | US_DP | AVDD12 |
| B1 | B2 | B3 | B4 | B5 | B6 | B7 | B8 | B9 | B10 |
| DS2_OVR CURR | DS2_PWR EN | DS3_AMB ER | VDD_IO | VSS | AVDD33 | DS3_OVR CURR | DS3_GRE EN | DS3_LED _SS | DVDD12 |
| C1 | C2 | C3 | C4 | C5 | C6 | C7 | C8 | C9 | C10 |
| US_TXM | DS1_AMB ER | DS2_LED _SS | DS3_DP | DS3_DM | VSS | DS1_DP | DS1_DM | AVDD12 | DS1_RXM |
| D1 | D2 | D3 | D4 | D5 | D6 | D7 | D8 | D9 | D10 |
| US_TXP | DS1_LED _SS | DS1_GRE EN | DVDD12 | VSS | DVDD12 | VSS | DVDD12 | VSS | DS1_RXP |
| E1 | E2 | E3 | E4 | E5 | E6 | E7 | E8 | E9 | E10 |
| DVDD12 | RREF_US B2 | DS2_GRE EN | DS2_AMB ER | XTL_IN | XTL_OUT | VDD_IO | DS1_TXM | VSS | DVDD12 |
| F1 | F2 | F3 | F4 | F5 | F6 | F7 | F8 | F9 | F10 |
| US_RXM | VSS | AVDD33 | MODE_SE L[1] | DVDD12 | DS4_OVR CURR | RESETN | DS1_TXP | AVDD12 | DS2_RXP |
| G1 | G2 | G3 | G4 | G5 | G6 | G7 | G8 | G9 | G10 |
| US_RXP | VBUS_DS | SUSPEND | RESERVE D1 | MODE_SE L[0] | VDD_IO | DS4_PWR EN | I2C_DATA | VSS | DS2_RXM |
| H1 | H2 | H3 | H4 | H5 | H6 | H7 | H8 | H9 | H10 |
| AVDD12 | VBUS_US | VDD_EFU SE | DS4_LED _SS | RREF_SS | VSS | DS2_TXM | DS2_TXP | DS4_GRE EN | AVDD12 |
| J1 | J2 | J3 | J4 | J5 | J6 | J7 | J8 | J9 | J10 |
| VSS | AVDD12 | VSS | DS4_AMB ER | US_PWR EN | I2C_CLK | DS1_PWR EN | DS1_OVR CURR | VSS | DS3_RXM |
| K1 | K2 | K3 | K4 | K5 | K6 | K7 | K8 | K9 | K10 |
| DS4_TXP | DS4_TXM | DVDD12 | DS4_RXP | DS4_RXM | US_OVRC URR | DS3_TXP | DS3_TXM | DVDD12 | DS3_RXP |

Table 4. 88-Pin QFN, 100-Ball BGA Pinout for CYUSB331X and CYUSB332X

| Pin Name | | Type | Pin# | Ball# | Description |
|--------------------------------|-----------|------|------|--|-------------|
| CYUSB3312 | CYUSB3314 | | | | |
| | CYUSB3324 | | | | |
| | CYUSB3326 | | | | |
| | CYUSB3328 | | | | |
| US Port | | | | | |
| US_RXP | I | 14 | G1 | SuperSpeed receive plus | |
| US_RXM | I | 13 | F1 | SuperSpeed receive minus | |
| US_TXP | O | 11 | D1 | SuperSpeed transmit plus | |
| US_TXM | O | 10 | C1 | SuperSpeed transmit minus | |
| US_DP | I/O | 71 | A9 | USB 2.0 data plus | |
| US_DM | I/O | 72 | A8 | USB 2.0 data minus | |
| US_OVRCURR | I | 39 | K6 | CYUSB3324/3328: Overcurrent detect input for US port in ACA-Dock mode. If ACA-Dock mode is disabled using Configuration Options on page 25 , this pin must be pulled HIGH using a 10 kΩ to VDD_IO. Other part numbers: This pin must be pulled HIGH using a 10 kΩ to VDD_IO. | |
| US_PWREN ^[5] | I/O | 31 | J5 | CYUSB3324/3328: VBUS power enable output for US port in ACA-Dock mode. If ACA-Dock mode is disabled using Configuration Options on page 25 , this pin can be left floating if Pin-Strap is not enabled. Other part numbers: This pin can be left floating if Pin-Strap (Pin# 63) is not enabled. | |
| PWR_SW_POL ^[6] | | | | This pin is called PWR_SW_POL in pin-strap configuration mode. | |
| DS1 Port | | | | | |
| DS1_RXP | I | 61 | D10 | SuperSpeed receive plus | |
| DS1_RXM | I | 60 | C10 | SuperSpeed receive minus | |
| DS1_TXP | O | 57 | F8 | SuperSpeed transmit plus | |
| DS1_TXM | O | 58 | E8 | SuperSpeed transmit minus | |
| DS1_DP | I/O | 74 | C7 | USB 2.0 data plus | |
| DS1_DM | I/O | 73 | C8 | USB 2.0 data minus | |
| DS1_OVRCURR | I | 42 | J8 | Overcurrent detect input for DS1 port | |
| DS1_PWREN ^[5] | I/O | 38 | J7 | VBUS power enable output for DS1 port. When the port is disabled, this pin is in tristate. | |
| DS1_CDP_EN ^[6] | | | | This pin is called DS1_CDP_EN in pin-strap configuration mode. | |
| DS1_AMBER ^[5] | I/O | 2 | C2 | LED_AMBER output for DS1 port | |
| ACA_DOCK ^[6] | | | | This pin is called ACA-DOCK in pin-strap configuration mode. | |
| DS1_GREEN ^[5] | I/O | 3 | D3 | CYUSB3312/3314/3324: LED_GREEN output for DS1 port | |
| DS1_VBUSEN_SL ^[5] | | | | CYUSB3326/3328: VBUS power enable output for SS port 1 | |
| PORT_DISABLE[0] ^[6] | | | | This pin is called PORT_DISABLE[0] in pin-strap configuration mode. | |
| DS1_LED_SS ^[5] | I/O | 4 | D2 | LED_SS output for DS1 port | |
| PORT_DISABLE[1] ^[6] | | | | This pin is called PORT_DISABLE[1] in pin-strap configuration mode. | |

Notes

- This pin can be configured as a GPIO using custom firmware. For information contact www.cypress.com/support.
- For pin-strap configuration details, refer to [Table 6](#) on page 26.

Table 4. 88-Pin QFN, 100-Ball BGA Pinout for CYUSB331X and CYUSB332X (continued)

| Pin Name | | Type | Pin# | Ball# | Description |
|-----------|---------------------------------|-----------|------|-------|---|
| CYUSB3312 | CYUSB3314 | | | | |
| | | CYUSB3324 | | | |
| | | CYUSB3326 | | | |
| | | CYUSB3328 | | | |
| DS2 Port | | | | | |
| | DS2_RXP | I | 55 | F10 | SuperSpeed receive plus |
| | DS2_RXM | I | 54 | G10 | SuperSpeed receive minus |
| | DS2_TXP | O | 51 | H8 | SuperSpeed transmit plus |
| | DS2_TXM | O | 52 | H7 | SuperSpeed transmit minus |
| | DS2_DP | I/O | 76 | A6 | USB 2.0 data plus |
| | DS2_DM | I/O | 77 | A5 | USB 2.0 data minus |
| | DS2_OVRCURR | I | 1 | B1 | Overcurrent detect input for DS2 port |
| | DS2_PWREN ^[7] | I/O | 86 | B2 | VBUS power enable output for DS2 port. When the port is disabled, this pin is in tristate. |
| | DS2_CDP_EN ^[8] | | | | This pin is called DS2_CDP_EN in the pin-strap configuration mode. |
| | DS2_AMBER ^[7] | I/O | 5 | E4 | LED_AMBER output for DS2 port |
| | NON_REMOVABLE[0] ^[8] | | | | This pin is called NON_REMOVABLE[0] in the pin-strap configuration mode. |
| | DS2_GREEN ^[7] | I/O | 6 | E3 | CYUSB3312/3314/3324: LED_GREEN output for DS2 port |
| | DS2_VBUSEN_SL ^[7] | | | | CYUSB3326/3328: VBUS power enable output for SS port 2 |
| | NON_REMOVABLE[1] ^[8] | | | | This pin is called NON_REMOVABLE[1] in the pin-strap configuration mode. |
| | DS2_LED_SS ^[7] | I/O | 84 | C3 | LED_SS output for DS2 port |
| | PWR_EN_SEL ^[8] | | | | This pin is called PWR_EN_SEL in the pin-strap configuration mode. |
| DS3 Port | | | | | |
| NC | DS3_RXP | I | 45 | K10 | SuperSpeed receive plus |
| NC | DS3_RXM | I | 46 | J10 | SuperSpeed receive minus |
| NC | DS3_TXP | O | 48 | K7 | SuperSpeed transmit plus |
| NC | DS3_TXM | O | 49 | K8 | SuperSpeed transmit minus |
| NC | DS3_DP | I/O | 79 | C4 | USB 2.0 data plus |
| NC | DS3_DM | I/O | 78 | C5 | USB 2.0 data minus |
| | DS3_OVRCURR | I | 65 | B7 | CYUSB3314/3324/3326/3328: Overcurrent detect input for DS3 port CYUSB3312: This pin must be pulled HIGH using a 10 kΩ to VDD_IO. |
| | DS3_PWREN ^[7] | I/O | 87 | A1 | VBUS power enable output for DS3 port. When the port is disabled, this pin is in tristate. |
| | DS3_CDP_EN ^[8] | | | | This pin is called DS3_CDP_EN in the pin-strap configuration mode. |
| | DS3_AMBER ^[7] | I/O | 85 | B3 | LED_AMBER output for DS3 port |
| | VID_SEL[2] ^[8] | | | | This pin is called VID_SEL[2] in the pin-strap configuration mode. |

Notes

7. This pin can be configured as a GPIO using custom firmware. For information contact www.cypress.com/support.
8. For pin-strap configuration details, refer to [Table 6](#) on page 26.

Table 4. 88-Pin QFN, 100-Ball BGA Pinout for CYUSB331X and CYUSB332X (continued)

| Pin Name | | Type | Pin# | Ball# | Description |
|--------------------------------------|---------|------|------|-------|---|
| CYUSB3312 | | | | | |
| CYUSB3314 | | | | | |
| CYUSB3324 | | | | | |
| CYUSB3326 | | | | | |
| CYUSB3328 | | | | | |
| DS3_GREEN ^[9] | | I/O | 64 | B8 | CYUSB3312/3314/3324: LED_GREEN output for DS3 port |
| DS3_VBUSEN_SL ^[9] | | | | | CYUSB3328: VBUS power enable output for SS port 3 |
| VID_SEL[1] ^[10] | | | | | This pin is called VID_SEL[1] in the pin-strap configuration mode. For pin-strap configuration details, refer to Table 6 on page 26. |
| DS3_LED_SS ^[9] | | I/O | 63 | B9 | LED_SS output for DS3 port |
| PIN_STRAP ^[10] | | | | | This pin is called PIN_STRAP in pin-strap configuration mode. When connected to VDD_IO through a 10-kΩ resistor, this pin enables pin-strap configuration mode for HX3. |
| DS4 Port | | | | | |
| NC | DS4_RXP | I | 20 | K4 | SuperSpeed receive plus |
| NC | DS4_RXM | I | 19 | K5 | SuperSpeed receive minus |
| NC | DS4_TXP | O | 16 | K1 | SuperSpeed transmit plus |
| NC | DS4_TXM | O | 17 | K2 | SuperSpeed transmit minus |
| NC | DS4_DP | I/O | 81 | A3 | USB 2.0 data plus |
| NC | DS4_DM | I/O | 82 | A2 | USB 2.0 data minus |
| DS4_OVRCURR | | I | 36 | F6 | CYUSB3314/3324/3326/3328: Overcurrent detect input for DS4 port. CYUSB3312: This pin must be pulled HIGH using a 10 kΩ to VDD_IO. |
| DS4_PWREN/PWR_EN4 | | I/O | 35 | G7 | VBUS power enable output for DS4 port. This pin is also used as power enable output when configured in ganged power mode using the Blaster Plus tool. When the port is disabled, this pin is in tristate. |
| DS4_CDP_EN ^[10] | | | | | This pin is called DS4_CDP_EN in the pin-strap configuration mode. |
| DS4_AMBER ^[9] | | I/O | 30 | J4 | LED_AMBER output for DS4 port |
| I2C_DEV_ID ^[10] | | | | | This pin is called I2C_DEV_ID in the pin-strap configuration mode. |
| DS4_GREEN ^[9] | | I/O | 43 | H9 | CYUSB3312/3314/3324: LED_GREEN output for DS4 port |
| DS4_VBUSEN_SL | | | | | CYUSB3328: VBUS power enable output for SS port 4 |
| VID_SEL[0] ^[10] | | | | | This pin is called VID_SEL[0] in the pin-strap configuration mode. |
| DS4_LED_SS | | I/O | 26 | H4 | LED_SS output for DS4 port. The LED must be connected to GND as shown in Figure 16 on page 25. If LED is not used, this pin must be pulled HIGH using a 10 kΩ to VDD_IO. |
| RESERVED1 | | I | 27 | G4 | This pin must be pulled HIGH using a 10 kΩ to VDD_IO. |
| Mode Select, Clock, and Reset | | | | | |
| MODE_SEL[0] | | I | 28 | G5 | Device operation mode select bit 0; refer to Table 5 on page 24 |
| MODE_SEL[1] | | I | 29 | F4 | Device operation mode select bit 1; refer to Table 5 on page 24 |
| XTL_OUT | | A | 68 | E6 | Crystal out |
| XTL_IN | | A | 69 | E5 | Crystal in |
| RESETN | | I | 37 | F7 | Active LOW reset input |
| I2C_CLK | | I/O | 40 | J6 | I ² C clock |
| I2C_DATA | | I/O | 41 | G8 | I ² C data |

Notes

- 9. This pin can be configured as a GPIO using custom firmware. For information contact www.cypress.com/support.
- 10. For pin-strap configuration details, refer to [Table 6](#) on page 26.

Table 4. 88-Pin QFN, 100-Ball BGA Pinout for CYUSB331X and CYUSB332X (continued)

| Pin Name | | Type | Pin# | Ball# | Description |
|--------------------------------|-----------|------|-------------------------------|--|---|
| CYUSB3312 | CYUSB3314 | | | | |
| | CYUSB3324 | | | | |
| | CYUSB3326 | | | | |
| | CYUSB3328 | | | | |
| SUSPEND | | I/O | 25 | G3 | Hub suspend status indicator. This pin is asserted if both the SS and USB 2.0 hubs are in the suspend state and is de-asserted when either of the hubs comes out of the suspend state. |
| Power and Ground | | | | | |
| VDD_EFUSE | | PWR | 24 | H3 | 1.2 V normal operation, 2.5 V for programming. Customers should connect to 1.2 V |
| AVDD12 | | PWR | 15, 21, 44, 56, 62, 67 | A10, C9, F9, H1, H10, J2 | 1.2 V analog supply |
| GND | | PWR | 50 | B5, C6, D5, D7, D9, E9, F2, G9, H6, J1, J3, J9 | GND pin |
| DVDD12 | | PWR | 8, 12, 18, 33, 47, 53, 59, 83 | B10, D4, D6, D8, E1, E10, F5, K3, K9 | 1.2 V core supply |
| VBUS_US | | PWR | 22 | H2 | CYUSB3324/3328: Connect the VBUS_US pin to the local 5 V supply. If ACA-Dock mode is disabled using Configuration Options on page 25 , this pin must be connected to VBUS from US port. Other part numbers: This pin must be connected to VBUS from US port. |
| VBUS_DS | | PWR | 23 | G2 | This pin is used to power the Apple-charging circuit in HX3. For normal operation, connect pin to local 5 V supply to enable Apple charging and BC v1.2 charging modes (enable multi-charger mode). For BC v1.2 compliance testing or when Apple charging is not required, connect pin to GND to enable BC v1.2 charging mode (disable multi-charger mode). |
| AVDD33 | | PWR | 9, 70, 75, 80 | A4, A7, B6, F3 | 3.3 V analog supply |
| VDD_IO | | PWR | 34, 66, 88 | B4, E7, G6 | 3.3 V I/O supply |
| USB Precision Resistors | | | | | |
| RREF_USB2 | | A | 7 | E2 | Connect pin to a precision resistor (6.04 kΩ ±1%) to generate a current reference for USB 2.0 PHY. |
| RREF_SS | | A | 32 | H5 | Connect pin to a precision resistor (200 Ω ±1%) for SS PHY termination impedance calibration. |

System Interfaces

Upstream Port (US)

This port is compliant with the USB 3.0 specification and includes an integrated 1.5 kΩ pull-up and termination resistors. It also supports ACA-Dock to enable charging an OTG host connected on the US port.

Downstream Ports (DS1, 2, 3, 4)

DS ports are compliant with the USB 3.0 specification and integrate 15 kΩ pull-down and termination resistors. Ports can be disabled or enabled, and can be set to removable or non-removable options. BC v1.2 charging is enabled by default and can be disabled on each DS port using the configuration options (see [Configuration Options](#)).

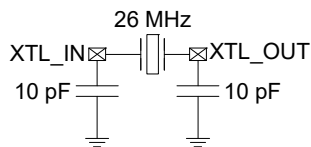
Communication Interfaces (I²C)

The interface follows the Inter-IC Bus specification, version 3.0, with support for the standard mode (100 kHz) and the fast mode (400 kHz) frequencies. HX3 supports I²C in the slave and master modes. The I²C interface supports the multi-master mode of operation. Both the SCL and SDA signals require external pull-up resistors based on the specification. VDD_IO for HX3 is 3.3 V and it is expected that the I²C pull-up resistors will be connected to the same supply.

Oscillator

HX3 requires an external crystal with a frequency of 26 MHz and an accuracy of ±150 ppm in parallel resonant, fundamental mode. The crystal drive circuit is capable of a low-power drive level (<200 μW). The crystal connection to the XTL_OUT and XTL_IN pins is shown in [Figure 14](#).

Figure 14. Crystal Connection



GPIOs

HX3 GPIOs are used for overcurrent sensing, controlling external power switches, and driving LEDs. These pins can sink up to 4 mA current each. GPIOs also enable pin-straps for input configuration. Refer to [Table 6](#) for more details.

Power Control

The PWR_EN[1-4] and OV_CURR[1-4] pins interface HX3 to external power switches. These pins are used to control power

switches for DS port power and monitor overcurrent conditions. The power switch polarity and the power control mode (individual and ganged) can be changed using the configuration options.

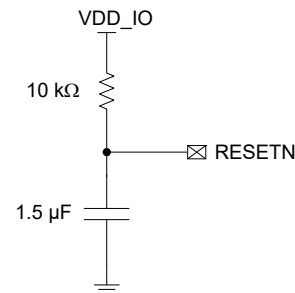
Reset

HX3 operates with two external power supplies, 3.3 V and 1.2 V. There is no power sequencing requirement between these two supplies. However, the RESETN pin should be held LOW until both these supplies become stable.

The RESETN pin can be tied to VDD_IO through an external resistor and to ground (GND) through an external capacitor (minimum 5 ms time constant), as shown in [Figure 15](#). This creates a clean reset signal for power-on reset (POR).

HX3 does not support internal brown-out detection. If the system requires this feature, an external reset should be provided on the RESETN pin when supplies are below their valid operating ranges.

Figure 15. Reset Connection



Configuration Mode Select

Configuration options are selected through the MODE_SEL pins and the pin-strap enable pin (PIN_STRAP). After power-up, these pins are sampled by an on-chip bootloader to determine the configuration options (see [Table 5](#)).

Table 5. HX3 Boot Sequence

| MODE SEL[1] | MODE SEL[0] | HX3 Configuration Modes |
|-------------|-------------|---|
| 0 | 0 | Reserved. Do not use this mode. |
| 1 | 1 | Internal ROM configuration |
| 0 | 1 | I ² C Master, read configuration from I ² C EEPROM* |
| 1 | 0 | I ² C Slave, configure from an external I ² C Master* |

* Download Cypress-provided firmware from www.cypress.com/hx3.

Configuration Options

HX3 can be configured by using one of the following:

- eFuse (one-time programmable memory)
- Pin-Strap (read configuration from dedicated pins at power on)
- External I²C slave such as an EEPROM
- External I²C master

The I²C master/slave configuration overrides the pin-strap configuration. Pin-straps override the eFuse configuration, and the eFuse configuration overrides the internal ROM configuration.

eFuse Configuration

HX3 contains eFuses, which are OTP elements on the chip that can be electrically blown. The eFuses are read by the bootloader to determine the customer-specific configurations. eFuse programming is supported only at factory and distributor locations where programming conditions can be controlled. eFuse programming is supported under the following conditions: Temperature range of 25 °C–70 °C and programming voltage of 2.5 V–2.7 V.

Pin-Strap Configuration

Pin-straps are supported for select product options (see [Table 1](#) on page 5) to provide reconfigurability without an additional EEPROM. The pin-strap configuration is enabled by pulling the Pin #63 of 88-pin QFN HIGH. [Table 6](#) on page 26 shows the configuration options supported through pin-straps and the GPIOs used for this purpose. [Figure 16](#) and [Figure 17](#) show how

the GPIOs need to be connected if pin-strap and LED connection are required or only pin-strap is required.

HX3 samples pin-strap GPIOs at power-up. Floating straps are considered as invalid and the default configuration is used. If PIN_STRAP (Pin #63 of 88-pin QFN) is floating, all strap inputs are considered invalid. A GPIO is considered strapped “1” or “0” when connected with a weak pull-up (10 kΩ) or pull-down (10 kΩ) respectively. After the initial sampling at power-up and reset, the GPIOs are used in their normal functions.

Figure 16. Pin-Strap With LED or LED-Only Connection

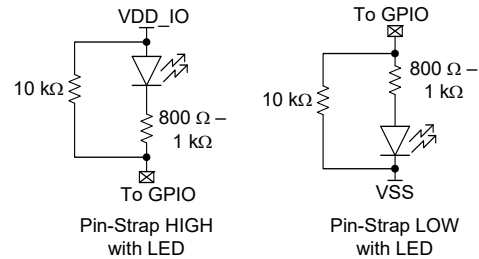


Figure 17. Pin-Strap Connection

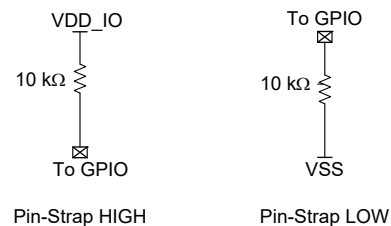


Table 6. Pin-Strap Configuration

| 88-pin QFN Pin # | Pin-Strap Name | Strapped '0' ^[11] | | Strapped '1' ^[11] | |
|------------------|----------------------------------|--|------------------|---|-----------------|
| 30 | I2C_DEV_ID ^[12] | ID 0: HX3 I ² C slave address (7 bits) is 0x60. This is also the default I ² C slave address for the 68-pin QFN package. | | ID 1: HX3 I ² C slave address (7 bits) is 0x58 | |
| 31 | PWR_SW_POL | Power enable and overcurrent will be active LOW | | Power enable and overcurrent will be active HIGH | |
| 2 | ACA_DOCK | Disabled | | Enabled | |
| 84 | PWR_EN_SEL | Individual | | Gang | |
| 63 | PIN_STRAP ^[13] | No pin-straping | | Pin-straping configuration enabled | |
| 4 | PORT_DISABLE[1] | PORT_DISABLE[1:0] = b'00: DS1, DS2, DS3, DS4 active b'01: DS1, DS2, DS3 active b'10: DS1, DS2 active b'11: DS1 active Pin-straps cannot enable ports disabled by factory setting. | | | |
| 3 | PORT_DISABLE[0] | | | | |
| 6 | NON_REMOVABLE[1] ^[14] | NON_REMOVABLE[1:0] = b'00: DS1, DS2, DS3, DS4 removable b'01: DS1, DS2, DS3 removable b'10: DS1, DS2 removable b'11: DS1 removable | | | |
| 5 | NON_REMOVABLE[0] ^[14] | | | | |
| 85 | VID[2] | Reserved. If PIN_STRAP is enabled and CY VID is required, strap VID[2:0] to '1'. | | | |
| 64 | VID[1] | | | | |
| 43 | VID[0] | | | | |
| 38 | DS1_CDP_EN ^[15] | strapped '0' | strapped '1' | strapped '0' | strapped '1' |
| | | DS1 CDP enabled | DS1 CDP disabled | DS1 CDP disabled | DS1 CDP enabled |
| 86 | DS2_CDP_EN ^[15] | DS2 CDP enabled | DS2 CDP disabled | DS2 CDP disabled | DS2 CDP enabled |
| 87 | DS3_CDP_EN ^[15] | DS3 CDP enabled | DS3 CDP disabled | DS3 CDP disabled | DS3 CDP enabled |
| 35 | DS4_CDP_EN ^[15] | DS4 CDP enabled | DS4 CDP disabled | DS4 CDP disabled | DS4 CDP enabled |

Notes

11. See [Figure 16 on page 25](#) and [Figure 17 on page 25](#).
12. I2C_DEV_ID is valid only when HX3 is in I²C slave mode.
13. VID, PORT_DISABLE, NON_REMOVABLE are group straps. If one of the pins in a group strap is floating (INVALID), that group input will be INVALID and the default will not be overwritten.
14. These DS ports are exposed ports and the connected devices can be removed.
15. DS_x_CDP_EN will be active LOW input when PWR_SW_POL is set to active LOW; similarly DS_x_CDP_EN will be active HIGH input when PWR_SW_POL is set to active HIGH.

I²C Configuration

When enabled for I²C configuration through the MODE_SEL pins (See Table 5 on page 24), HX3 can be configured as an I²C master or as an I²C slave. HX3's configuration data is a maximum of 197 bytes and HX3's firmware is 10 KB. Note that HX3's firmware also includes configuration settings.

HX3 as I²C Master

HX3 reads configurations from an external I²C EEPROM with sizes ranging from 16 to 64 KB. An example of a supported EEPROM is 24LC128. Based on the contents of the bSignature and bImageType fields in Table 8 on page 27, HX3 performs one of the following actions:

- Loads custom configuration settings from the EEPROM when bSignature is "CY" and bImageType is 0xD4.
- Loads the Cypress-provided firmware from the EEPROM when bSignature is "CY" and bImageType is 0xB0. This firmware also includes configuration settings.
- If bSignature ≠ "CY", HX3 enumerates in the vendor-specific mode.

The contents of the EEPROM can be updated with the easy-to-use [Cypress Blaster Plus](#) tool. Blaster Plus is a GUI-based tool to configure HX3. This tool allows to do the following:

- Download the Cypress-provided firmware from a PC via HX3's US port and store it on an EEPROM connected to HX3's I²C port.

Table 8. EEPROM Map

| I ² C Offset | Bits | Name | Default | Description |
|-------------------------|------|------------------------|---------|--|
| 0 | 7:0 | bSignature LSB ("C") | 0x43 | The first byte of the 2-byte signature initialized with "CY" ASCII text. When the signature is not valid, the hub enumerates as a vendor-specific device. |
| 1 | 7:0 | bSignature MSB ("Y") | 0x59 | The second byte of the 2-byte signature initialized with "CY" ASCII text. When the signature is not valid, the hub enumerates as a vendor-specific device. |
| 2 | 7:6 | bImageCTL | b'00 | Reserved |
| | 5:4 | I ² C Speed | b'11 | b'01: 400 kHz b'11: 100 kHz |
| | 3:1 | bImageCTL | b'000 | Reserved |
| | 0 | bImageCTL | 0 | 0: Execution binary file 1: Data file |
| 3 | 7:0 | bImageType | 0xD4 | 0xD4: Load only configuration 0xB0: Load firmware boot image All other bImageType will return an error code. |

- Read the configuration settings from the EEPROM. These settings are displayed in the Blaster Plus GUI. Modify settings as required.
- Write back the updated settings on to the EEPROM. In addition, an image file can be created for external use.

The EEPROM addresses for small and large EEPROM is shown in Table 7.

Small EEPROM refers to one-byte address I²C EEPROM with size ranging from 128-byte to 2K-byte while Large EEPROM refers to two-byte address I²C EEPROM with size ranging from 4K-byte to 256K-byte.

Table 7. EEPROM Addresses

| EEPROM Type | EEPROM Address | Blaster Plus I ² C Address |
|--------------|----------------|---------------------------------------|
| Small EEPROM | 0x50 | 0xA0 |
| Large EEPROM | 0x51 | 0xA2 |

The Blaster Plus tool, user guide, and the Cypress-provided firmware are available at www.cypress.com/hx3.

HX3 as I²C Slave

An external I²C master can program the configuration settings into HX3 according to the EEPROM map in Table 8. Alternatively, the HX3 firmware (<10 KB), which includes configuration settings, can also be programmed. It is recommended to use the Blaster Plus tool to create the HX3 firmware or configuration image file. HX3's I²C slave address needs to be provided while creating the image file. Refer to Table 6 on page 26 for HX3's I²C slave address.

Table 8. EEPROM Map (continued)

| i ² C Offset | Bits | Name | Default | Description |
|-------------------------|------|------------------------|-------------------------------------|--|
| 4 | 7:0 | bD4Length | 40 | bD4Length is defined in bytes as the length from offset 5. i ² C offset bytes 0–4 are the header bytes. bD4Length = 6: Only update VID, PID, and DID bD4Length = 18: Configuration options (no PHY trim) bD4Length = 40: Configuration options with PHY trim options bD4Length > 40: User must provide valid string descriptors bD4Length > 192: Error |
| 5 | 7:0 | VID [7:0] | 0xB4 | Custom Vendor ID - LSB |
| 6 | 7:0 | VID [15:8] | 0x04 | Custom Vendor ID - MSB |
| 7 | 7:0 | PID [7:0] | 0x04 | Custom Product ID (PID) |
| 8 | 7:0 | PID [15:8] | 0x65 | Default: 0x6504 If separate PID is used for USB 2.0, the USB 2.0 PID will be read from offset 35 and 36. Else, USB 2.0 PID = PID+2; Default: 0x6506 Refer to Table 9 on page 33 for other default PID values for different parts. |
| 9 | 7:0 | DID [7:0] | 00 - 88-pin QFN, 10 - 68-pin QFN | Custom Device ID - revision - LSB |
| 10 | 7:0 | DID [15:8] | 50 | Custom Device ID - revision - MSB |
| 11 | 7:0 | Reserved | 0 | Reserved |
| 12 | 7:4 | SHARED_LINK_EN | b'0000 | Enable Shared Link on DS port bit[7:4]=DS4, DS3, DS2, DS1 0: Shared Link not enabled 1: Shared Link enabled |
| | 3:0 | SHC_ACTIVE_PORTS [3:0] | b'1111 | Indicates if a SuperSpeed port is active. bit[3:0] = DS4, DS3, DS2, DS1 0: Not active 1: Active |
| 13 | 7:0 | POWER_ON_TIME | 0x32 | Time (in 2-ms intervals) from the time the power-on sequence begins on a port until power is good on that port (bPwron2PwrGood) |
| 14 | 7:4 | REMOVABLE_PORTS [3:0] | b'1111 | Indicates if the port is removable. bit[7:4]=DS4, DS3, DS2, DS1 0: Non-removable 1: Removable |
| | 3:0 | UHC_ACTIVE_PORTS [3:0] | b'1111 | Indicates if a USB 2.0 port is active. bit[3:0]=DS4, DS3, DS2, DS1 0: Not active 1: Active |

Table 8. EEPROM Map (continued)

| I ² C Offset | Bits | Name | Default | Description |
|-------------------------|------|---------------------------|---------|---|
| 15 | 7 | SS_LED_PIN_CONTROL | 0 | Port 1–4: SS LED disable 0: DS[1:4]_LED_SS are LEDs. The LED glows when the SS port is active and not in disabled state. 1: DS[1:4]_LED_SS are not LEDs |
| | 6 | GREEN_LED_PIN_CONTROL | 0 | Port 1–4: USB 2.0 Green LED disable 0: DS[1:4]_GREEN are LEDs 1: DS[1:4]_GREEN are not LEDs |
| | 5 | AMBER_LED_PIN_CONTROL | 0 | Port 1–4: USB 2.0 Amber LED disable 0: DS[1:4]_AMBER are LEDs 1: DS[1:4]_AMBER are not LEDs |
| | 4 | PORT_INDICATORS | 1 | Port indicators supported 0: Port indicators are not supported on its DS-facing ports and the USB 2.0 PORT_INDICATOR request has no effect. 1: Port indicators are supported on its DS-facing ports and the USB 2.0 PORT_INDICATOR request controls the indicators. |
| | 3 | COMPOUND_HUB | 0 | Identifies a compound device. 0: Hub is not part of a compound device. 1: Hub is part of a compound device. |
| | 2:1 | Reserved | 0 | Reserved |
| | 0 | GANG | 0 | 1: Ganged power switch enable for all DS ports 0: Individual port power switch enable for each DS port |
| 16 | 7 | SUSPEND_INDICATOR_DISABLE | 0 | 0: Suspend indicator enabled 1: Suspend indicator disabled |
| | 6 | SS_US_DISABLE | 0 | Hub mode of operation (USB 3.0 or USB 2.0) 0: USB 3.0 hub and USB 2.0 hub enabled 1: USB 3.0 hub disabled and USB 2.0 hub enabled |
| | 5 | PWR_EN_POLARITY | 0 | Power switch control output polarity 0: Active LOW 1: Active HIGH |
| | 4:0 | PORT_POLARITY | b'00000 | USB 2.0 DP and DM swapped bit[4:0]=DS4, DS3, DS2, DS1, US 1: Port polarity swapped 0: Port polarity not swapped |
| 17 | 7:5 | Reserved | 0 | Reserved |
| | 4 | BC_ENABLE | 1 | 0: BC v1.2 disabled 1: BC v1.2 enabled |
| | 3 | ACA_DOCK | 0 | If this bit is set, enable ACA-Dock on the US port |
| | 2 | APPLE_XA | 0 | 0: Max limit for Apple charging 2.1 A 1: Max limit for Apple charging 1 A |
| | 1 | Reserved | 0 | Reserved |
| | 0 | GHOST_CHARGE_EN | 1 | 0: Ghost Charging disabled 1: Ghost Charging enabled |
| 18 | 7:4 | CDP_EN[3:0] | b'1111 | Per-port charging setting bit[7:4]=DS4, DS3, DS2, DS1 0: CDP disabled 1: CDP enabled |
| | 3:0 | DCP_EN[3:0] | b'0000 | Per-port charging setting bit[3:0]=DS4, DS3, DS2, DS1 0: DCP disabled 1: DCP enabled |

Table 8. EEPROM Map (continued)

| I ² C Offset | Bits | Name | Default | Description |
|-------------------------|------|--|---------|---|
| 19 | 7 | EMBEDDED_HUB | 0 | If this bit is set, the US is as an embedded port and VBUS connected to VBUS_US pin is ignored. |
| | 6 | ILLEGAL_DESCRIPTOR | 1 | If this bit is set, the USB 2.0 hub controller will accept both 0x00 and 0x29 as valid descriptor types. If '0', only 0x29 will be accepted as a valid descriptor type. |
| | 5 | Reserved | 1 | Reserved |
| | 4 | OC_POLARITY | 0 | Overcurrent input polarity 0: Active LOW 1: Active HIGH |
| | 3:0 | OC_TIMER | b'1000 | Time in milliseconds for which the overcurrent inputs will be filtered |
| 20 | 7:0 | Reserved | 0 | Reserved |
| 21 | 7:4 | Reserved | 0 | Reserved |
| | 3 | STRING_DESCRIPTOR_ENABLE ^[16] | 0 | 0: String descriptor support is disabled 1: String descriptor support is enabled When string descriptors are not supported, the hub controller returns a non-zero index (compile-time programmable) for each string which is supported, and 0x00 for each string not supported, as indicated by this field. |
| | 2:0 | Reserved | 0 | Reserved |
| 22 | 7:0 | Reserved | 0 | Reserved |
| 23 | 7:6 | HS_AMPLITUDE_DS4 | b'00 | HS driver amplitude control; HS driver current: +0% to +7.5% b'00: Default b'01: +2.5% b'10: +5% b'11: +7.5% |
| | 5:4 | HS_AMPLITUDE_DS3 | b'00 | |
| | 3:2 | HS_AMPLITUDE_DS2 | b'00 | |
| | 1:0 | HS_AMPLITUDE_DS2 | b'00 | |
| 24 | 7:6 | HS_AMPLITUDE_US | b'00 | HS driver slope control for all ports b'0000: +15% b'0001: +5% b'0100: Default b'0101: -5% b'1111: -7.5% |
| | 5:2 | HS_SLOPE | b'0100 | |
| | 1:0 | HS_TX_VREF | b'10 | |

Note

16. When the string descriptor supports LangID, Manufacturer, Product and Serial Number, the serial number must be unique for each device.

Table 8. EEPROM Map (continued)

| I ² C Offset | Bits | Name | Default | Description |
|-------------------------|------|-------------------------------------|---------|---|
| 25 | 7:3 | HS_PREEMP_EN[4:0] | b'00000 | HS driver pre-emphasis enable – for ports DS4, DS3, DS2, DS1, and US 0: pre-emphasis is disabled 1: pre-emphasis is enabled |
| | 2 | HS_PREEMP_DEPTH_DS4 ^[17] | 0 | HS driver pre-emphasis depth 0: +10% 1: +20% |
| | 1 | HS_PREEMP_DEPTH_DS3 ^[17] | 0 | |
| | 0 | HS_PREEMP_DEPTH_DS2 ^[17] | 0 | |
| 26 | 7 | HS_PREEMP_DEPTH_DS1 ^[17] | 0 | |
| | 6 | HS_PREEMP_DEPTH_US ^[17] | 0 | |
| | 5 | Reserved | 1 | Reserved |
| | 4:1 | PCS_TX_DEEMPH_DS4 | 0x6 | USB 3.0 Tx driver de-emphasis value 0x3: -2.75 dB 0x6: -3.4 dB (Default) 0x9: -4.0 dB |
| 27 | 7:4 | PCS_TX_DEEMPH_DS3 | 0x6 | USB 3.0 Tx driver de-emphasis value 0x3: -2.75 dB 0x6: -3.4 dB (Default) 0x9: -4.0 dB |
| | 3:0 | PCS_TX_DEEMPH_DS2 | 0x6 | |
| 28 | 7:4 | PCS_TX_DEEMPH_DS1 | 0x6 | USB 3.0 Tx driver de-emphasis value 0x3: -2.75 dB 0x6: -3.4 dB (Default) 0x9: -4.0 dB |
| | 3:0 | PCS_TX_DEEMPH_US | 0x6 | |
| 29 | 7 | Reserved | 0 | Reserved |
| | 6 | Reserved | 1 | Reserved |
| | 5:0 | PCS_TX_SWING_FULL_DS4 | 0x29 | Adjust launch amplitude of the transmitter 0x1F – 0.9 V 0x29 – 1.0 V (Default) 0x35 – 1.1 V 0x3F – 1.2 V |
| 30 | 7:6 | Reserved | 0 | Reserved |
| | 5:0 | PCS_TX_SWING_FULL_DS3 | 0x29 | Adjust launch amplitude of the transmitter 0x1F – 0.9 V 0x29 – 1.0 V (Default) 0x35 – 1.1 V 0x3F – 1.2 V |
| 31 | 7:6 | Reserved | 0 | Reserved |
| | 5:0 | PCS_TX_SWING_FULL_DS2 | 0x29 | Adjust launch amplitude of the transmitter 0x1F – 0.9 V 0x29 – 1.0 V (Default) 0x35 – 1.1 V 0x3F – 1.2 V |
| 32 | 7:6 | Reserved | 0 | Reserved |
| | 5:0 | PCS_TX_SWING_FULL_DS1 | 0x29 | Adjust launch amplitude of the transmitter 0x1F – 0.9 V 0x29 – 1.0 V (Default) 0x35 – 1.1 V 0x3F – 1.2 V |

Note

17. HS_PREEMP_DEPTH is valid only when corresponding HS_PREEMP_EN is set for that port.

Table 8. EEPROM Map (continued)

| i ² C Offset | Bits | Name | Default | Description |
|-------------------------|------|----------------------------|---|--|
| 33 | 7:6 | Reserved | 0 | Reserved |
| | 5:0 | PCS_TX_SWING_FULL_US | 0x29 | Adjust launch amplitude of the transmitter 0x1F – 0.9 V 0x29 – 1.0 V (Default) 0x35 – 1.1 V 0x3F – 1.2 V |
| 34 | 7:0 | Reserved | 0 | Reserved |
| 35 | 7:0 | UHC_PID [7:0]_LSB | 0x06 | USB 2.0 PID. If bD4Length ≥ 40, USB 2.0 PID will be read from this location. |
| 36 | 7:0 | UHC_PID [15:8]_MSB | 0x65 | |
| 37–44 | 7:0 | Reserved | 0 | Eight bytes reserved for future expansion |
| 45 | 7:0 | bLength: LangID | 4 | Size of LangID (defined by spec as N+2) |
| 46 | 7:0 | DescType | 3 | String descriptor type (constant value) |
| 47 | 7:0 | LangID - MSB | 9 | String language ID - MSB of wLangID |
| 48 | 7:0 | LangID - LSB | 4 | String language ID - MSB of wLangID |
| 49 | 7:0 | bLength: Manufacturer (X) | 54 | Manufacturer string length (“bLength: LangID + bLength: Manufacturer + bLength: Product + bLength: Serial Number” should be less than or equal to 152 bytes). X ≤ 66. |
| 50 | 7:0 | DescType | 3 | String descriptor type (constant value) |
| 51 | 7:0 | bString: Manufacturer | '2', 0, '0', 0, '1', 0, '4', 0, ' ', 0, 'C', 0, 'y', 0, 'p', 0, 'r', 0, 'e', 0, 's', 0, 's', 0, ' ', 0, 'S', 0, 'e', 0, 'm', 0, 'i', 0, 'c', 0, 'o', 0, 'n', 0, 'd', 0, 'u', 0, 'c', 0, 't', 0, 'o', 0, 'r', 0 | Manufacturer string: UNICODE UTF-16LE per USB 2.0 specification: “2014 Cypress Semiconductor” |
| 49 + X | 7:0 | bLength: Product (Y) | 22 | Product string length (“bLength: LangID + bLength: Manufacturer + bLength: Product + bLength: Serial Number” should be less than or equal to 152 bytes). Y ≤ 66. |
| 50 + X | 7:0 | DescType | 3 | String descriptor type (constant value) |
| 51 + X | 7:0 | bString: Product | 'C', 0, 'Y', 0, '-', 0, 'H', 0, 'X', 0, '3', 0, ' ', 0, 'H', 0, 'U', 0, 'B', 0 | Product string: UNICODE UTF-16LE per USB 2.0 specification: “CY-HX3 HUB” |
| 49 + X + Y | 7:0 | bLength: Serial Number (Z) | 22 | Serial number string length (“bLength: LangID + bLength: Manufacturer + bLength: Product + bLength: Serial Number” should be less than or equal to 152 bytes). Z ≤ 66. |
| 50 + X + Y | 7:0 | DescType | 3 | String descriptor type (constant value) |
| 51 + X + Y | 7:0 | bString: Serial Number | '1', 0, '2', 0, '3', 0, '4', 0, '5', 0, '6', 0, '7', 0, '8', 0, '9', 0, 'A', 0 | Serial number string: UNICODE UTF-16LE per USB 2.0 specification: “123456789A” |

Table 9 contains example values of PID for different parts.

Table 9. PID Values

| Part Number | VID | PID (USB 3.0) | PID (USB 2.0) | Vendor Mode PID (USB 2.0) |
|---------------------------------------|--------|---------------|---------------|---------------------------|
| CYUSB3304-68LTXC, CYUSB3302-68LTXC | 0x04B4 | 0x6500 | 0x6502 | 0x6503 |
| CYUSB3314-88LTXC, CYUSB3312-88LTXC | 0x04B4 | 0x6504 | 0x6506 | 0x6503 |
| CYUSB3328-88LTXC, CYUSB3326-88LTXC | 0x04B4 | 0x6508 | 0x650A | 0x6507 |

Note: In I²C Master boot mode, if the connected EEPROM contains invalid signature or is blank, the hub will come up in Vendor mode in 2.0 configuration with a default Vendor Mode PID as mentioned in Table 9.

EMI

HX3 meets the EMI requirements outlined by FCC 15B (USA) and EN55022 (Europe) for consumer electronics. HX3 tolerates EMI conducted by aggressors outlined by the above specifications and continues to function as expected.

ESD

HX3 has a built-in ESD protection on all pins. The ESD protection level provided on these ports is 2.2 kV Human Body Model (HBM) based on the JESD22-A114 specification.

Absolute Maximum Ratings

Exceeding maximum ratings may shorten the useful life of the device. User guidelines are not tested.

Storage temperature..... -65 °C to +150 °C

Operating temperature -40 °C to +85 °C

Electrostatic discharge voltage 2200 V

Oscillator or crystal frequency 26 MHz ±150 ppm

I/O voltage supply 3 V to 3.6 V

Maximum input sink current per I/O 4 mA

Electrical Specifications

HX3 meets all USB-IF Electrical Compliance specifications.

DC Electrical Characteristics

Table 10. DC Electrical Characteristics

| Parameter | Description | Conditions | Min | Typ | Max | Units |
|--------------------|---|---|--------------|-----|--------------|-------|
| DVDD12 | 1.2 V core supply | – | 1.14 | 1.2 | 1.26 | V |
| VDD_EFUSE | eFuse supply | Normal operation | 1.14 | 1.2 | 1.26 | V |
| | | Programming | 2.5 | 2.6 | 2.7 | V |
| AVDD12 | 1.2 V analog supply | – | 1.14 | 1.2 | 1.26 | V |
| VDD_IO | 3.3 V I/O supply | – | 3 | 3.3 | 3.6 | V |
| AVDD33 | 3.3 V analog supply | – | 3 | 3.3 | 3.6 | V |
| V _{IH} | Input HIGH voltage | – | 0.7 × VDD_IO | – | VDD_IO | V |
| V _{IL} | Input LOW voltage | – | 0 | – | 0.3 × VDD_IO | V |
| V _{OH} | Output HIGH voltage | Output HIGH voltage at I _{OH} ≤ +4 mA | 2.4 | – | – | V |
| V _{OL} | Output LOW voltage | Output LOW voltage at I _{OL} ≥ -4 mA | – | – | 0.4 | V |
| I _{OS} | Input sink current | LED GPIO usage | – | – | 4 | mA |
| I _{IX} | Input leakage current | All I/O signals held at VDD_IO or GND | -1 | – | 1 | µA |
| I _{OZ} | Output HI-Z leakage current | – | – | – | 10 | µA |
| I _{CC} | 1.2 V supplies combined operating current | – | – | 410 | 526 | mA |
| I _{CC} | 3.3 V supplies combined operating current | – | – | 260 | 286 | mA |
| V _{RAMP} | Voltage ramp rate on core and I/O supplies | Voltage ramp must be monotonic | 0.2 | – | 50 | V/ms |
| V _N | Noise level permitted on core and I/O supplies | Max p-p noise level permitted on all supplies except AVDD | – | – | 100 | mV |
| V _{N_USB} | Noise level permitted on AVDD12 and AVDD33 supply | Max p-p noise level permitted USB supply | – | – | 20 | mV |

Power Consumption

Table 11 provides the power consumption estimates for HX3 under different conditions. Table 12 summarizes the power consumption for various combinations of devices connected to DS ports.

For example, to calculate the HX3 power consumption for three SS devices connected to DS ports (and no device connected to one DS port), and a US port connected to a USB 3.0 host:

$$\text{Power consumption} = [a] + 2*[g] = 492.5 + 2*76 = 644 \text{ mW}$$

[a] is the active power consumption for the US port connected to a USB 3.0 host and the SS device connected to the DS port.

[g] is the incremental power consumption for an additional SS device connected to the DS port.

Table 11. Power Consumption Estimates for Various Usage Scenarios

| Device Condition | Number and Speed of DS Ports Connected | Typical Consumption | | | Comments |
|--|--|---------------------|-------|------------|----------|
| | | Supply Current (mA) | | Power (mW) | |
| | | 1.2 V | 3.3 V | | |
| Suspend ^[18] | NA | 12.0 | 7.1 | 37.8 | – |
| Active power with USB 3.0 host ^[19] | 1 SS | 204.1 | 75.0 | 492.5 | [a] |
| | 1 HS | 51.2 | 45.2 | 210.7 | [b] |
| | 1 FS | 51.2 | 34.0 | 173.7 | [c] |
| | 1 SS + 1 HS | 218.0 | 103.4 | 602.9 | [d] |
| Active power with USB 2.0 host ^[19, 20] | 1 HS | 51.2 | 45.2 | 210.7 | [e] |
| | 1 FS | 51.2 | 34.0 | 173.7 | [f] |
| Incremental active power for additional DS port | SS | 39.4 | 8.7 | 76.0 | [g] |
| | HS | 7.0 | 19.8 | 73.7 | [h] |
| | FS | 7.0 | 14.2 | 55.2 | [i] |
| Active power saving per disabled DS port ^[21] | – | 10.6 | 9.6 | 44.4 | [j] |

Table 12. Power Consumption Under Various Configurations

| Configuration | Number of DS Devices Connected With Data Transfer | Typical Consumption | | | Comments |
|--|---|---------------------|-------|------------|---------------------|
| | | Supply Current (mA) | | Power (mW) | |
| | | 1.2 V | 3.3 V | | |
| USB 3.0 4-Port Hub (USB 3.0 host) | 4 SS devices | 322 | 101 | 720 | [a] + 3*[g] |
| | 3 SS + 1 HS devices | 297 | 121 | 755 | [d] + 2*[g] |
| | 3 SS devices | 283 | 92 | 644 | [a] + 2*[g] |
| USB 3.0 4-Port Hub with one port disabled (USB 3.0 host) | 3 SS devices | 272 | 83 | 600 | [a] + 2*[g] - [j] |
| | 2 SS + 1 HS devices | 247 | 103 | 634 | [d] + [g] - [j] |
| Shared Link with eight DS ports | 4 SS + 4 HS devices | 357 | 189 | 1052 | [d] + 3*([g] + [h]) |
| USB 2.0 4-Port Hub (USB 2.0 host) | 4 HS devices | 72 | 105 | 432 | [e] + 3*[h] |
| | 3 HS + 1 FS devices | 72 | 99 | 413 | [e] + 2*[h] + [i] |

Notes

18. US port in low-power state (SS in U3 and USB 2.0 in L2).

19. All four DS ports are enabled.

20. US SS disabled using configuration options. Refer to Table 8 on page 27 for I²C configuration options.

21. Power saving applicable only with a USB 3.0 host. DS ports can be disabled through configuration options. Refer to Table 6 on page 26 for pin-strapping and Table 8 on page 27 for I²C configuration options.

Ordering Information

Table 13 lists HX3's ordering information. The table contains only the part numbers that are currently available for order. Additional part numbers for industrial temperature range can be made available on request. For more information, visit the Cypress [website](#) or contact the local sales representative.

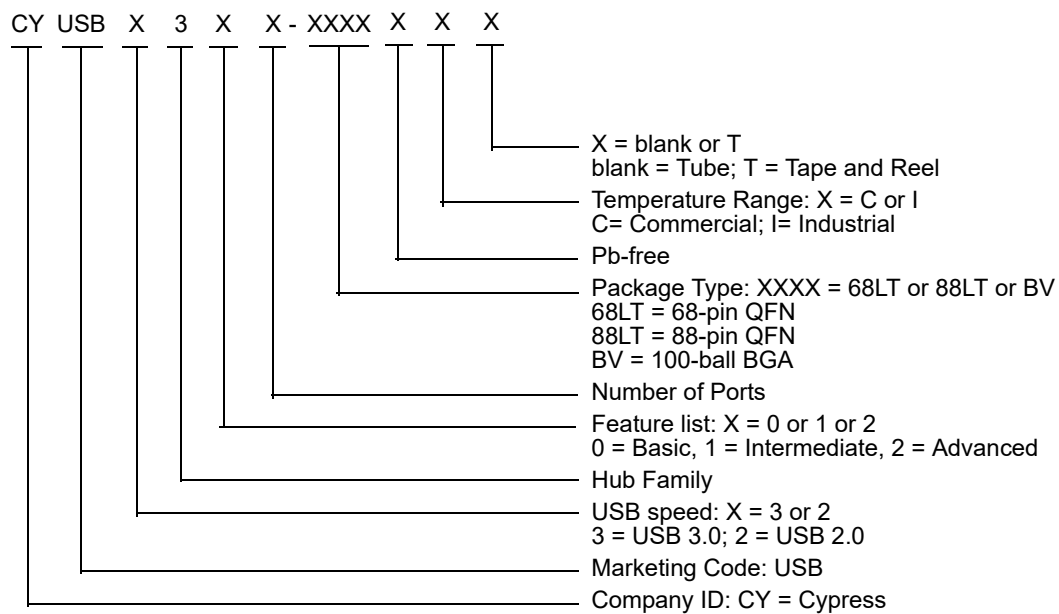
Table 13. Ordering Information

| Serial No. | Ordering Part Number | Number of DS Ports | Number of Shared Link Ports | Ghost Charge | ACA-Dock | Temperature | Package |
|------------|----------------------|--------------------------------|-----------------------------|--------------|----------|--------------|--------------|
| 1. | CYUSB3302-68LTXC | 2 (USB 3.0) | 0 | Yes | No | 0 °C–70 °C | 68-pin QFN |
| 2. | CYUSB3302-68LTXI | 2 (USB 3.0) | 0 | Yes | No | –40 °C–85 °C | 68-pin QFN |
| 3. | CYUSB3304-68LTXC | 4 (USB 3.0) | 0 | Yes | No | 0 °C–70 °C | 68-pin QFN |
| 4. | CYUSB3304-68LTXI | 4 (USB 3.0) | 0 | Yes | No | –40 °C–85 °C | 68-pin QFN |
| 5. | CYUSB3312-88LTXC | 2 (USB 3.0) | 0 | Yes | No | 0 °C–70 °C | 88-pin QFN |
| 6. | CYUSB3312-88LTXCT | 2 (USB 3.0) | 0 | Yes | No | 0 °C–70 °C | 88-pin QFN |
| 7. | CYUSB3312-88LTXI | 2 (USB 3.0) | 0 | Yes | No | –40 °C–85 °C | 88-pin QFN |
| 8. | CYUSB3312-88LTXIT | 2 (USB 3.0) | 0 | Yes | No | –40 °C–85 °C | 88-pin QFN |
| 9. | CYUSB3314-88LTXC | 4 (USB 3.0) | 0 | Yes | No | 0 °C–70 °C | 88-pin QFN |
| 10. | CYUSB3314-88LTXCT | 4 (USB 3.0) | 0 | Yes | No | 0 °C–70 °C | 88-pin QFN |
| 11. | CYUSB3314-88LTXI | 4 (USB 3.0) | 0 | Yes | No | –40 °C–85 °C | 88-pin QFN |
| 12. | CYUSB3314-88LTXIT | 4 (USB 3.0) | 0 | Yes | No | –40 °C–85 °C | 88-pin QFN |
| 13. | CYUSB3324-88LTXC | 4 (USB 3.0) | 0 | Yes | Yes | 0 °C–70 °C | 88-pin QFN |
| 14. | CYUSB3324-88LTXCT | 4 (USB 3.0) | 0 | Yes | Yes | 0 °C–70 °C | 88-pin QFN |
| 15. | CYUSB3324-88LTXI | 4 (USB 3.0) | 0 | Yes | Yes | –40 °C–85 °C | 88-pin QFN |
| 16. | CYUSB3324-88LTXIT | 4 (USB 3.0) | 0 | Yes | Yes | –40 °C–85 °C | 88-pin QFN |
| 17. | CYUSB3326-88LTXC | 6 (2 USB 3.0, 2 SS, 2 USB 2.0) | 2 | Yes | No | 0 °C–70 °C | 88-pin QFN |
| 18. | CYUSB3326-88LTXCT | 6 (2 USB 3.0, 2 SS, 2 USB 2.0) | 2 | Yes | No | 0 °C–70 °C | 88-pin QFN |
| 19. | CYUSB3326-88LTXI | 6 (2 USB 3.0, 2 SS, 2 USB 2.0) | 2 | Yes | No | –40 °C–85 °C | 88-pin QFN |
| 20. | CYUSB3326-88LTXIT | 6 (2 USB 3.0, 2 SS, 2 USB 2.0) | 2 | Yes | No | –40 °C–85 °C | 88-pin QFN |
| 21. | CYUSB3328-88LTXC | 8 (4 SS, 4 USB 2.0) | 4 | Yes | Yes | 0 °C–70 °C | 88-pin QFN |
| 22. | CYUSB3328-88LTXCT | 8 (4 SS, 4 USB 2.0) | 4 | Yes | Yes | 0 °C–70 °C | 88-pin QFN |
| 23. | CYUSB3328-88LTXI | 8 (4 SS, 4 USB 2.0) | 4 | Yes | Yes | –40 °C–85 °C | 88-pin QFN |
| 24. | CYUSB3328-88LTXIT | 8 (4 SS, 4 USB 2.0) | 4 | Yes | Yes | –40 °C–85 °C | 88-pin QFN |
| 25. | CYUSB3302-BVXC | 2 (USB 3.0) | 0 | Yes | No | 0 °C–70 °C | 100-ball BGA |
| 26. | CYUSB3302-BVXI | 2 (USB 3.0) | 0 | Yes | No | –40–85 °C | 100-ball BGA |
| 27. | CYUSB3304-BVXC | 4 (USB 3.0) | 0 | Yes | No | 0 °C–70 °C | 100-ball BGA |
| 28. | CYUSB3304-BVXI | 4 (USB 3.0) | 0 | Yes | No | –40 °C–85 °C | 100-ball BGA |
| 29. | CYUSB3312-BVXC | 2 (USB 3.0) | 0 | Yes | No | 0 °C–70 °C | 100-ball BGA |
| 30. | CYUSB3312-BVXI | 2 (USB 3.0) | 0 | Yes | No | –40 °C–85 °C | 100-ball BGA |
| 31. | CYUSB3314-BVXC | 4 (USB 3.0) | 0 | Yes | No | 0 °C–70 °C | 100-ball BGA |
| 32. | CYUSB3314-BVXI | 4 (USB 3.0) | 0 | Yes | No | –40 °C–85 °C | 100-ball BGA |
| 33. | CYUSB3324-BVXC | 4 (USB 3.0) | 0 | Yes | Yes | 0 °C–70 °C | 100-ball BGA |
| 34. | CYUSB3324-BVXI | 4 (USB 3.0) | 0 | Yes | Yes | –40 °C–85 °C | 100-ball BGA |

Table 13. Ordering Information (continued)

| Serial No. | Ordering Part Number | Number of DS Ports | Number of Shared Link Ports | Ghost Charge | ACA-Dock | Temperature | Package |
|------------|----------------------|--------------------------------|-----------------------------|--------------|----------|--------------|--------------|
| 35. | CYUSB3326-BVXC | 6 (2 USB 3.0, 2 SS, 2 USB 2.0) | 2 | Yes | No | 0 °C–70 °C | 100-ball BGA |
| 36. | CYUSB3326-BVXI | 6 (2 USB 3.0, 2 SS, 2 USB 2.0) | 2 | Yes | No | –40 °C–85 °C | 100-ball BGA |
| 37. | CYUSB3328-BVXC | 8 (4 SS, 4 USB 2.0) | 4 | Yes | Yes | 0 °C–70 °C | 100-ball BGA |
| 38. | CYUSB2302-68LTXI | 2 (USB 2.0) | 0 | Yes | No | –40 °C–85 °C | 68-pin QFN |
| 39. | CYUSB2304-68LTXI | 4 (USB 2.0) | 0 | Yes | No | –40 °C–85 °C | 68-pin QFN |

Ordering Code Definitions



Packaging

Table 14. Package Characteristics

| Parameter | Description | Min | Typ | Max | Units |
|-----------------|---------------------------------------|-----|------|-----|-------|
| T _A | Operating ambient temperature | -40 | - | 85 | °C |
| T _J | Operating junction temperature | -40 | - | 125 | °C |
| T _{JA} | Package J _A (68-pin QFN) | - | 16.2 | - | °C/W |
| T _{JA} | Package J _A (88-pin QFN) | - | 15.7 | - | °C/W |
| T _{JA} | Package J _A (100-ball BGA) | - | 35 | - | °C/W |
| T _{JC} | Package J _C (68-pin QFN) | - | 23.8 | - | °C/W |
| T _{JC} | Package J _C (88-pin QFN) | - | 18.9 | - | °C/W |
| T _{JC} | Package J _C (100-ball BGA) | - | 12 | - | °C/W |

Table 15. Solder Reflow Peak Temperature

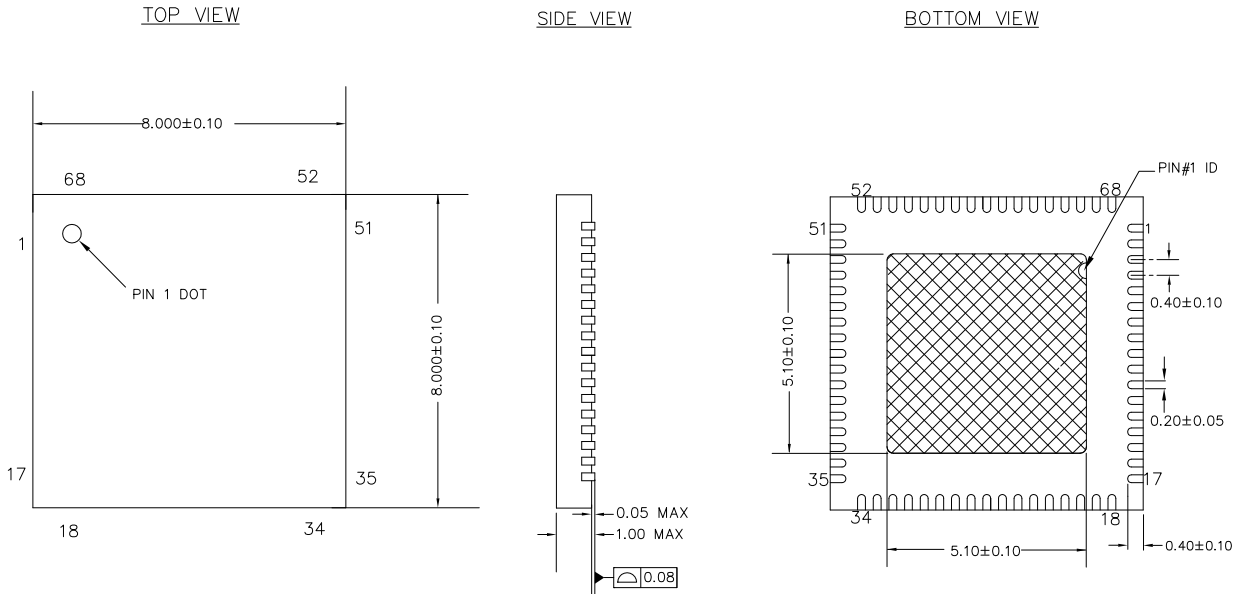
| Package | Maximum Peak Temperature | Maximum Time at Peak Temperature |
|--------------|--------------------------|----------------------------------|
| 68-pin QFN | 260 °C | 30 seconds |
| 88-pin QFN | 260 °C | 30 seconds |
| 100-ball BGA | 260 °C | 30 seconds |

Table 16. Package Moisture Sensitivity Level (MSL), IPC/JEDEC J-STD-2


| Package | MSL |
|--------------|-------|
| 68-pin QFN | MSL 3 |
| 88-pin QFN | MSL 3 |
| 100-ball BGA | MSL 3 |

Package Diagrams

Figure 18. 68-pin QFN (8 × 8 × 1.0 mm) LT68B 5.1 × 5.1 mm EPAD (Sawn) Package Outline

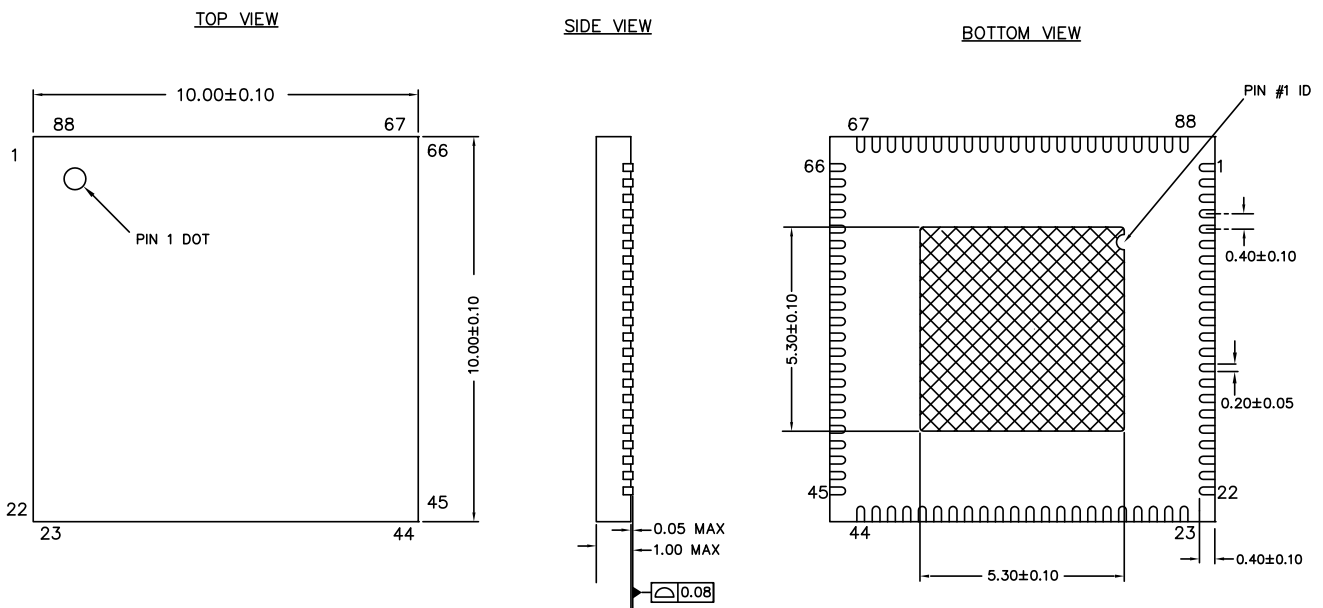


NOTES:

1.  HATCH AREA IS SOLDERABLE EXPOSED PAD
2. REFERENCE JEDEC#: MO-220
3. ALL DIMENSIONS ARE IN MILLIMETERS

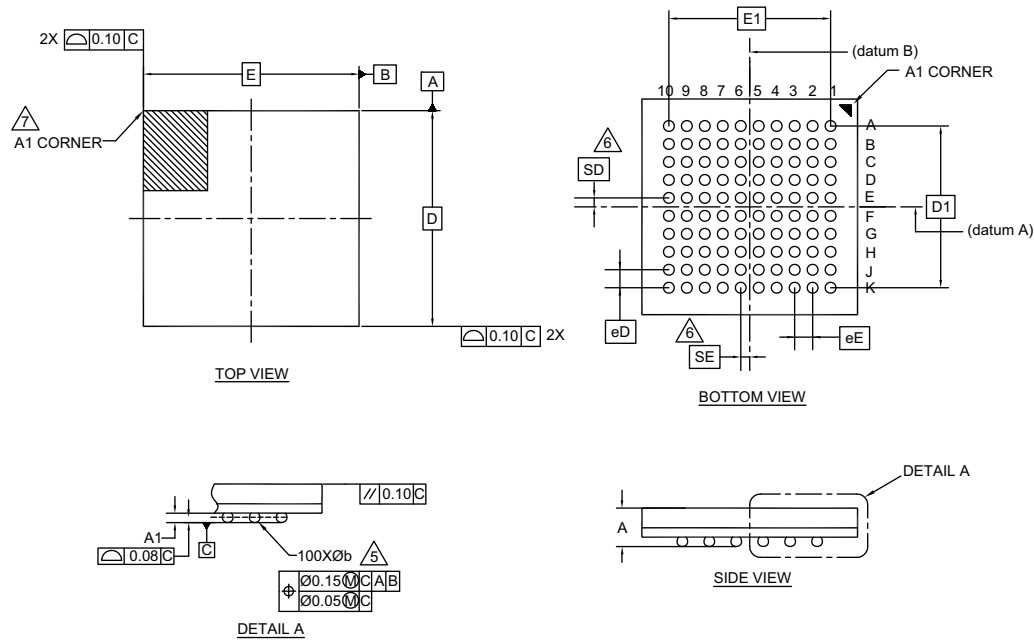
001-78925 *B

Figure 19. 88-pin QFN (10 × 10 × 1.0 mm) LT88B 5.3 × 5.3 EPAD (Sawn) Package Outline



001-76569 *B

Figure 20. 100-Ball BGA (6.0 × 6.0 × 1.0 mm) BZ100 Package Outline



| SYMBOL | DIMENSIONS | | |
|--------|------------|------|------|
| | MIN. | NOM. | MAX. |
| A | - | - | 1.00 |
| A1 | 0.16 | - | - |
| D | 6.00 BSC | | |
| E | 6.00 BSC | | |
| D1 | 4.50 BSC | | |
| E1 | 4.50 BSC | | |
| MD | 10 | | |
| ME | 10 | | |
| N | 100 | | |
| Ø b | 0.25 | 0.30 | 0.35 |
| eD | 0.50 BSC | | |
| eE | 0.50 BSC | | |
| SD | 0.25 BSC | | |
| SE | 0.25 BSC | | |

NOTES:

- ALL DIMENSIONS ARE IN MILLIMETERS.
- SOLDER BALL POSITION DESIGNATION PER JEP95, SECTION 3, SPP-020.
- "e" REPRESENTS THE SOLDER BALL GRID PITCH.
- SYMBOL "MD" IS THE BALL MATRIX SIZE IN THE "D" DIRECTION. SYMBOL "ME" IS THE BALL MATRIX SIZE IN THE "E" DIRECTION. N IS THE NUMBER OF POPULATED SOLDER BALL POSITIONS FOR MATRIX SIZE MD X ME.
- DIMENSION "b" IS MEASURED AT THE MAXIMUM BALL DIAMETER IN A PLANE PARALLEL TO DATUM C.
- "SD" AND "SE" ARE MEASURED WITH RESPECT TO DATUMS A AND B AND DEFINE THE POSITION OF THE CENTER SOLDER BALL IN THE OUTER ROW. WHEN THERE IS AN ODD NUMBER OF SOLDER BALLS IN THE OUTER ROW "SD" OR "SE" = 0. WHEN THERE IS AN EVEN NUMBER OF SOLDER BALLS IN THE OUTER ROW, "SD" = eD/2 AND "SE" = eE/2.
- A1 CORNER TO BE IDENTIFIED BY CHAMFER, LASER OR INK MARK METALIZED MARK, INDENTATION OR OTHER MEANS.
- "+" INDICATES THE THEORETICAL CENTER OF DEPOPULATED SOLDER BALLS.
- JEDEC SPECIFICATION NO. REF. : MO-195C.

51-85209 *F

Acronyms

Table 17. Acronyms Used in this Document

| Acronym | Description |
|---------|---|
| ACA | Accessory Charging Adapter |
| ASSP | Application-Specific Standard Product |
| BC | Battery Charging |
| CDP | Charging Downstream Port |
| DS | DownStream |
| DCP | Dedicated Charging Port |
| DNU | Do Not Use |
| DWG | Device Working Group |
| EEPROM | Electrically Erasable Programmable Read-Only Memory |
| FS | Full-Speed |
| FW | FirmWare |
| GND | GrouND |
| GPIO | General-Purpose Input/Output |
| HS | Hi-Speed |
| ISP | In-System Programming |
| I/O | Input/Output |
| LS | Low-Speed |
| NC | No Connect |
| OTG | On-The-Go |
| PID | Product ID |
| POR | Power-On Reset |
| ROM | Read-Only Memory |
| SCL | Serial CLock |
| SDA | Serial DAta |
| SS | SuperSpeed |
| TT | Transaction Translator |
| US | UpStream |
| VID | Vendor ID |

Reference Documents

[USB 2.0 Specification](#)

[USB 3.0 Specification](#)

[Battery Charging Specification](#)

Document Conventions

Units of Measure

Table 18. Units of Measure

| Symbol | Unit of Measure |
|--------|--------------------|
| °C | degree celsius |
| Ω | ohm |
| Gbps | gigabit per second |
| KB | kilobyte |
| kHz | kilohertz |
| kΩ | kiloohm |
| Mbps | megabit per second |
| MHz | megahertz |
| μA | microampere |
| mA | milliampere |
| ms | millisecond |
| mW | milliwatt |
| ns | nanosecond |
| ppm | parts per million |
| V | volt |

Silicon Revision History

This datasheet is applicable for the USB-IF certified (TID# 330000060) HX3 Rev. *D and Rev. *C Silicon.

Rev. *D: This Silicon revision improves the yield of HX3, and is drop-in compatible for all the part numbers. There is no need to change the board design or layout to use the HX3 Rev. *D Silicon. Products are completely compatible with the HX3 Rev. *C Silicon.

Rev. *C: This Silicon revision fixes the errata applicable to the Rev. *A Silicon.

The following table defines the changes between Rev. *A, Rev. *C, and Rev. *D Silicon.

| No. | Items | Part Numbers | Rev. *A | Rev. *C | Rev. *D |
|-----|--|--------------|--------------------------------------|-----------------------------|-----------------------------|
| 1 | USB-IF Compliance | All | Requires firmware on external EEPROM | No external EEPROM required | No external EEPROM required |
| 2 | FS-only hub or host connected to HX3 Upstream Port | All | Not supported | Supported | Supported |
| 3 | Suspend Power | All | 90 mW | 37.8 mW | 37.8 mW |

Method of Identification

Markings on row 3 of the HX3 package differentiate Rev. *D Silicon from Rev. *C Silicon and Rev. *A Silicon as indicated in the example below. Cypress maintains traceability of product to wafer level, including wafer fabrication location, through the lot number marked on the package.

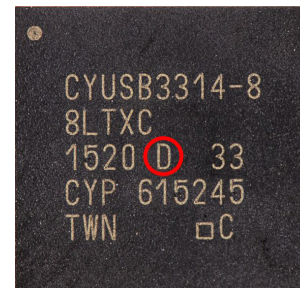
HX3 REV *A SILICON



HX3 REV *C SILICON



HX3 REV *D SILICON



Document History Page

| Document Title: CYUSB330x/CYUSB331x/CYUSB332x/CYUSB230x, HX3 USB 3.0 Hub | | | | |
|--|---------|-----------------|-----------------|--|
| Document Number: 001-73643 | | | | |
| Revision | ECN | Orig. of Change | Submission Date | Description of Change |
| *E | 4271496 | MURT | 02/21/2014 | Changed status from Preliminary to Final. |
| *F | 4291210 | MURT | 02/25/2014 | Post to external web. |
| *G | 4308926 | MURT | 03/14/2014 | Updated System Interfaces : Updated Configuration Options : Updated HX3 as I2C Slave : Updated Table 8 . |
| *H | 4463533 | MURT | 08/01/2014 | Updated Features : Replaced "USB 3.0-Certified Hub, TID# 330000047" with "USB 3.0-Certified Hub, TID# 330000060". Updated Electrical Specifications : Updated Power Consumption : Updated Table 11 : Removed "Host not attached", "Suspend with host attached" Device Conditions and their corresponding details. Added "Suspend" Device Condition and its corresponding details. Removed Errata. |
| *I | 4483117 | RAJM | 08/22/2014 | Added Silicon Revision History . |
| *J | 4499514 | RAJM | 09/15/2014 | Added 100-ball BGA Package related information in all instances across the document. Updated Ordering Information : Updated Table 13 : Updated part numbers. Updated Package Diagrams : Added spec 51-85209 *D. |
| *K | 4582512 | PRJI | 11/28/2014 | Updated HX3 Product Options : Updated Table 1 . Updated Pin Information : Updated Table 4 . |
| *L | 4632890 | HBM | 01/20/2015 | Updated Pin Information : Updated Figure 12 . Updated Figure 13 . Updated Table 4 . Added Packaging . Updated Package Diagrams : spec 51-85209 – Changed revision from *D to *E. |
| *M | 4669639 | HBM | 02/24/2015 | No technical updates. |
| *N | 4764583 | HBM | 05/13/2015 | Updated Package Diagrams : spec 001-76569 – Changed revision from *A to *B. Updated Silicon Revision History : Updated description and table below. Updated Method of Identification : Updated description and figure below. |

Document History Page *(continued)*

| Document Title: CYUSB330x/CYUSB331x/CYUSB332x/CYUSB230x, HX3 USB 3.0 Hub | | | | |
|--|---------|-----------------|-----------------|--|
| Document Number: 001-73643 | | | | |
| Revision | ECN | Orig. of Change | Submission Date | Description of Change |
| *O | 4941772 | HBM | 11/25/2015 | Updated HX3 Product Options : Updated Table 1 : Added CYUSB2302-68LTXI and CYUSB2304-68LTXI part numbers related information. Updated Ordering Information : Updated Table 13 : Updated part numbers. Completing Sunset Review. |
| *P | 5466603 | HBM | 10/20/2016 | Updated Features : Replaced "USB 3.0-Certified Hub, TID# 330000060" with "USB-IF Certified Hub, TID# 330000060, 30000074". Updated Package Diagrams : spec 51-85209 – Changed revision from *E to *F. Updated to new template. Completing Sunset Review. |
| *Q | 5725383 | GNKK | 05/03/2017 | Updated Cypress Logo and Copyright. |
| *R | 6045135 | HBM | 01/25/2018 | Updated HX3 Product Options : Updated Table 1 : Replaced "CYUSB2302-68LTXI" with "CYUSB2302" in column heading. Replaced "CYUSB2304-68LTXI" with "CYUSB2304" in column heading. Updated Ordering Information : Updated Table 13 : Updated part numbers. Updated Ordering Code Definitions . Updated to new template. |
| *S | 6288337 | MKRS | 03/13/2019 | Updated Pin Information : Updated Table 2 . Updated Table 3 . Updated Table 4 . Updated System Interfaces : Updated Configuration Options : Updated HX3 as I2C Master : Updated description. Added Table 7 . Updated HX3 as I2C Slave : Updated description. Updated Table 8 . Added Table 9 . |
| *T | 6562235 | HBM | 04/30/2019 | Updated to new template. |

Sales, Solutions, and Legal Information

Worldwide Sales and Design Support

Cypress maintains a worldwide network of offices, solution centers, manufacturer's representatives, and distributors. To find the office closest to you, visit us at [Cypress Locations](#).

Products

| | |
|-------------------------------|--|
| Arm® Cortex® Microcontrollers | cypress.com/arm |
| Automotive | cypress.com/automotive |
| Clocks & Buffers | cypress.com/clocks |
| Interface | cypress.com/interface |
| Internet of Things | cypress.com/iot |
| Memory | cypress.com/memory |
| Microcontrollers | cypress.com/mcu |
| PSoC | cypress.com/psoc |
| Power Management ICs | cypress.com/pmic |
| Touch Sensing | cypress.com/touch |
| USB Controllers | cypress.com/usb |
| Wireless Connectivity | cypress.com/wireless |

PSoC® Solutions

[PSoC 1](#) | [PSoC 3](#) | [PSoC 4](#) | [PSoC 5LP](#) | [PSoC 6 MCU](#)

Cypress Developer Community

[Community](#) | [Projects](#) | [Video](#) | [Blogs](#) | [Training](#) | [Components](#)

Technical Support

cypress.com/support

© Cypress Semiconductor Corporation, 2011–2019. This document is the property of Cypress Semiconductor Corporation and its subsidiaries ("Cypress"). This document, including any software or firmware included or referenced in this document ("Software"), is owned by Cypress under the intellectual property laws and treaties of the United States and other countries worldwide. Cypress reserves all rights under such laws and treaties and does not, except as specifically stated in this paragraph, grant any license under its patents, copyrights, trademarks, or other intellectual property rights. If the Software is not accompanied by a license agreement and you do not otherwise have a written agreement with Cypress governing the use of the Software, then Cypress hereby grants you a personal, non-exclusive, nontransferable license (without the right to sublicense) (1) under its copyright rights in the Software (a) for Software provided in source code form, to modify and reproduce the Software solely for use with Cypress hardware products, only internally within your organization, and (b) to distribute the Software in binary code form externally to end users (either directly or indirectly through resellers and distributors), solely for use on Cypress hardware product units, and (2) under those claims of Cypress's patents that are infringed by the Software (as provided by Cypress, unmodified) to make, use, distribute, and import the Software solely for use with Cypress hardware products. Any other use, reproduction, modification, translation, or compilation of the Software is prohibited.

TO THE EXTENT PERMITTED BY APPLICABLE LAW, CYPRESS MAKES NO WARRANTY OF ANY KIND, EXPRESS OR IMPLIED, WITH REGARD TO THIS DOCUMENT OR ANY SOFTWARE OR ACCOMPANYING HARDWARE, INCLUDING, BUT NOT LIMITED TO, THE IMPLIED WARRANTIES OF MERCHANTABILITY AND FITNESS FOR A PARTICULAR PURPOSE. No computing device can be absolutely secure. Therefore, despite security measures implemented in Cypress hardware or software products, Cypress shall have no liability arising out of any security breach, such as unauthorized access to or use of a Cypress product. CYPRESS DOES NOT REPRESENT, WARRANT, OR GUARANTEE THAT CYPRESS PRODUCTS, OR SYSTEMS CREATED USING CYPRESS PRODUCTS, WILL BE FREE FROM CORRUPTION, ATTACK, VIRUSES, INTERFERENCE, HACKING, DATA LOSS OR THEFT, OR OTHER SECURITY INTRUSION (collectively, "Security Breach"). Cypress disclaims any liability relating to any Security Breach, and you shall and hereby do release Cypress from any claim, damage, or other liability arising from any Security Breach. In addition, the products described in these materials may contain design defects or errors known as errata which may cause the product to deviate from published specifications. To the extent permitted by applicable law, Cypress reserves the right to make changes to this document without further notice. Cypress does not assume any liability arising out of the application or use of any product or circuit described in this document. Any information provided in this document, including any sample design information or programming code, is provided only for reference purposes. It is the responsibility of the user of this document to properly design, program, and test the functionality and safety of any application made of this information and any resulting product. "High-Risk Device" means any device or system whose failure could cause personal injury, death, or property damage. Examples of High-Risk Devices are weapons, nuclear installations, surgical implants, and other medical devices. "Critical Component" means any component of a High-Risk Device whose failure to perform can be reasonably expected to cause, directly or indirectly, the failure of the High-Risk Device, or to affect its safety or effectiveness. Cypress is not liable, in whole or in part, and you shall and hereby do release Cypress from any claim, damage, or other liability arising from any use of a Cypress product as a Critical Component in a High-Risk Device. You shall indemnify and hold Cypress, its directors, officers, employees, agents, affiliates, distributors, and assigns harmless from and against all claims, costs, damages, and expenses, arising out of any claim, including claims for product liability, personal injury or death, or property damage arising from any use of a Cypress product as a Critical Component in a High-Risk Device. Cypress products are not intended or authorized for use as a Critical Component in any High-Risk Device except to the limited extent that (i) Cypress's published data sheet for the product explicitly states Cypress has qualified the product for use in a specific High-Risk Device, or (ii) Cypress has given you advance written authorization to use the product as a Critical Component in the specific High-Risk Device and you have signed a separate indemnification agreement.

Cypress, the Cypress logo, Spansion, the Spansion logo, and combinations thereof, WICED, PSoC, CapSense, EZ-USB, F-RAM, and Traveo are trademarks or registered trademarks of Cypress in the United States and other countries. For a more complete list of Cypress trademarks, visit cypress.com. Other names and brands may be claimed as property of their respective owners.

X-ON Electronics

Largest Supplier of Electrical and Electronic Components

Click to view similar products for [USB Interface IC](#) category:

Click to view products by [Cypress](#) manufacturer:

Other Similar products are found below :

[CY7C69356-48LTXC](#) [USB3319C-GJ-TR](#) [USB3370B-EZK-TR](#) [CYPD2120-24LQXI](#) [CYPD2122-20FNXIT](#) [CYPD2122-24LQXIT](#) [LIF-UC120-SWG36ITR50](#) [UPD360-A/6HX](#) [CP2102NP1174GM](#) [DPO2039DABQ-13](#) [CY7C68034-56LTXC](#) [TUSB212RWBT](#) [TUSB213IRGYT](#) [TUSB213RGYT](#) [USB3503T-I/ML](#) [CY7C63310-SXC](#) [USB3316C-CP-TR](#) [USB3250-ABZJ](#) [MAX3107ETG+](#) [MAX14632EZK+T](#) [LAN9514-JZX](#) [CYPD2120-24LQXIT](#) [MAX3100CEE+T](#) [USB5806/KD](#) [USB5826-I/KD](#) [USB5826/KD](#) [USB5906/KD](#) [USB5916/KD](#) [USB5926/KD](#) [TUSB215QRGYTQ1](#) [NB7NPQ701MMTTBG](#) [TUSB213RGYR](#) [USB5926-I/KD](#) [USB5906-I/KD](#) [USB4640I-HZH-03](#) [CY7C63813-SXC](#) [CY7C63823-SXC](#) [CY7C64215-28PVXC](#) [CY7C68013A-128AXC](#) [CY7C68013A-56LTXC](#) [CY7C68013A-56LTXI](#) [CY7C68013A-56PVXC](#) [CY7C68013A-56PVXI](#) [CYPD1120-40LQXI](#) [AP43771VDKZ-13](#) [AP43771VFBZ-13](#) [DIO32320MP10](#) [HT42B534-2](#) [FT2232HPQ-TRAY](#) [FT312D-32L1C-T](#)