



Single-Chip Bluetooth Transceiver and Baseband Processor

The CYW20702 is a monolithic, single-chip, Bluetooth 4.0 compliant, stand-alone baseband processor with an integrated 2.4 GHz transceiver. Manufactured using the industry's most advanced 65 nm CMOS low-power process, the CYW20702 employs the highest level of integration, eliminating all critical external components, and thereby minimizing the device's footprint and costs associated with the implementation of Bluetooth solutions.

The CYW20702 is the optimal solution for voice and data applications that require a Bluetooth SIG standard Host Controller Interface (HCI) via USB, UART H4 or H5, and PCM audio interface support. The CYW20702 radio transceiver's enhanced radio performance meets the most stringent industrial temperature application requirements for compact integration into mobile handset and portable devices. The CYW20702 is fully compatible with all standard TCXO frequencies and provides full radio compatibility, enabling it to operate simultaneously with GPS and cellular radios.

This document provides engineering design information for the CYW20702, a single-chip Bluetooth transceiver and baseband processor that provides a complete lower layer Bluetooth protocol stack. The CYW20702 supports Bluetooth 4.0, which includes support for Enhanced Data Rates (2 Mbps and 3 Mbps) and Low Energy (LE) connections.

The information provided is intended for hardware design engineers who will be incorporating the CYW20702 into their designs.

Cypress Part Numbering Scheme

Cypress is converting the acquired IoT part numbers from Broadcom to the Cypress part numbering scheme. Due to this conversion, there is no change in form, fit, or function as a result of offering the device with Cypress part number marking. The table provides Cypress ordering part number that matches an existing IoT part number.

Table 1. Mapping Table for Part Number between Broadcom and Cypress

Broadcom Part Number	Cypress Part Number
BCM4325	CYW4325
BCM4329	CYW4329
BCM4330	CYW4330
BCM20702	CYW20702
BCM20702A1KWFBG	CYW20702A1KWFBG
BCM20702B0KWFBG	CYW20702B0KWFBG

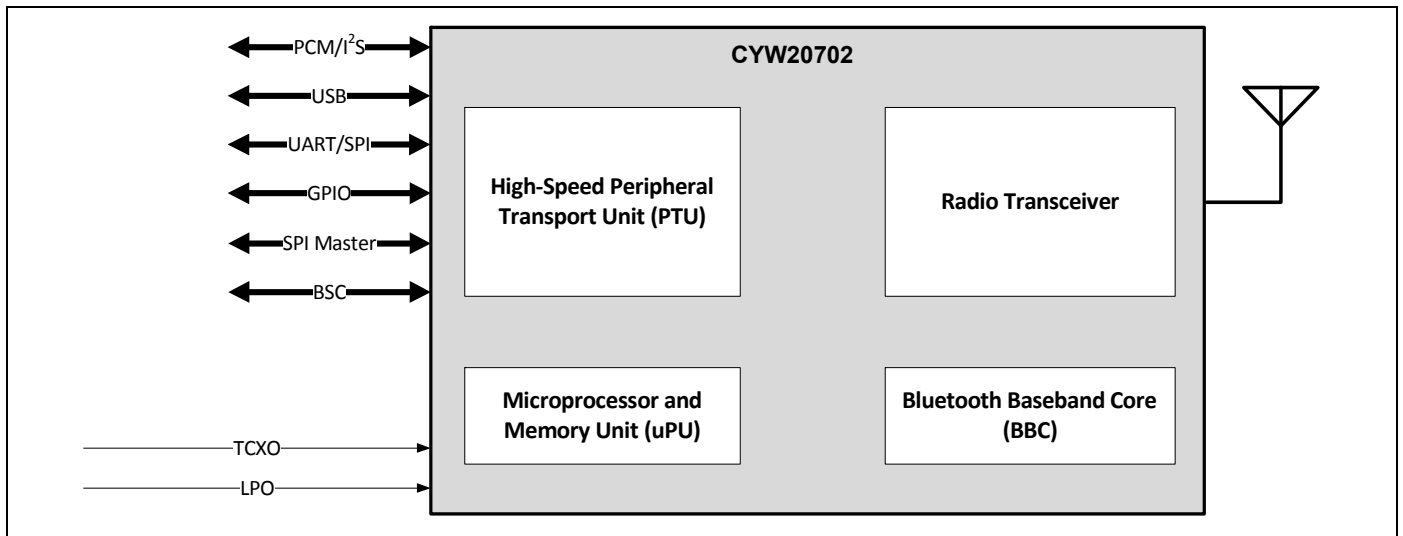
Features

- Bluetooth 4.0 + EDR and Low Energy compliant
- Class 1 capable with built-in PA
- Programmable output power control meets Class 1, Class 2, or Class 3 requirements
- Use supply voltages up to 5.5V
- Supports Broadcom SmartAudio™, wide-band speech, SBC codec, and packet loss concealment.
- Fractional-N synthesizer supports frequency references from 12 MHz to 52 MHz
- Automatic frequency detection for standard crystal and TCXO values when an external 32.768 kHz reference clock is provided.
- Ultra-low power consumption
- Supports serial flash interfaces
- Available in a 50-ball FPBGA package.
- ARM7TDMI-S™-based microprocessor with integrated ROM and RAM
- Supports mobile and PC applications without external memory
- A USB hub

Applications

- Desktop and laptop personal computers
- Personal digital assistants
- Computer peripheral devices (PCMCIA cards, CF cards, and USB dongles)
- Automotive telematic systems

Figure 1. System Block Diagram



Contents

1. Overview	4	5. Peripheral Transport Unit	17
1.1 Major Features	4	5.1 PCM Interface	17
1.2 Block Diagram	6	5.2 HCI Transport Detection Configuration	19
1.3 Usage Model	7	5.3 USB Interface	19
2. Integrated Radio Transceiver	8	5.4 UART Interface	21
2.1 Transmitter Path	8	5.5 SPI	22
2.2 Receiver Path	8	5.6 Simultaneous UART Transport and Bridging	22
2.3 Local Oscillator Generation	8	6. Frequency References	23
2.4 Calibration	8	6.1 Crystal Interface and Clock Generation	23
2.5 Internal LDO	9	6.2 Crystal Oscillator	24
3. Bluetooth Baseband Core	10	6.3 External Frequency Reference	24
3.1 Transmit and Receive Functions	10	6.4 Frequency Selection	25
3.2 Bluetooth 4.0 + EDR Features	10	6.5 Frequency Trimming	25
3.3 Frequency Hopping Generator	10	6.6 LPO Clock Interface	26
3.4 Link Control Layer	10	7. Pin-out and Signal Descriptions	27
3.5 Test Mode Support	11	7.1 Pin Descriptions	27
3.6 Power Management Unit	11	8. Ball Grid Arrays	29
3.7 Adaptive Frequency Hopping	13	9. Electrical Characteristics	30
3.8 Collaborative Coexistence	13	9.1 RF Specifications	36
3.9 Serial Enhanced Coexistence Interface	14	9.2 Timing and AC Characteristics	39
4. Microprocessor Unit	15	9.3 Electrostatic Discharge	48
4.1 Overview	15	10. Mechanical Information	50
4.2 NVRAM Configuration Data and Storage	15	10.1 Tape, Reel, and Packing Specification	51
4.3 EEPROM	15	11. Ordering Information	52
4.4 External Reset	15	12. Acronyms and Abbreviations	52
4.5 One-Time Programmable Memory	16	13. IoT Resources	52
		Document History	53
		Sales, Solutions, and Legal Information	55

1. Overview

The CYW20702 complies with Bluetooth Core Specification, version 4.0 and is designed for use in standard Host Controller Interface (HCI) UART and HCI USB applications. The combination of the Bluetooth Baseband Core (BBC), a Peripheral Transport Unit (PTU), and an ARM®-based microprocessor with on-chip ROM provides a complete lower layer Bluetooth protocol stack, including the Link Controller (LC), Link Manager (LM), and HCI.

1.1 Major Features

Major features of the CYW20702 include:

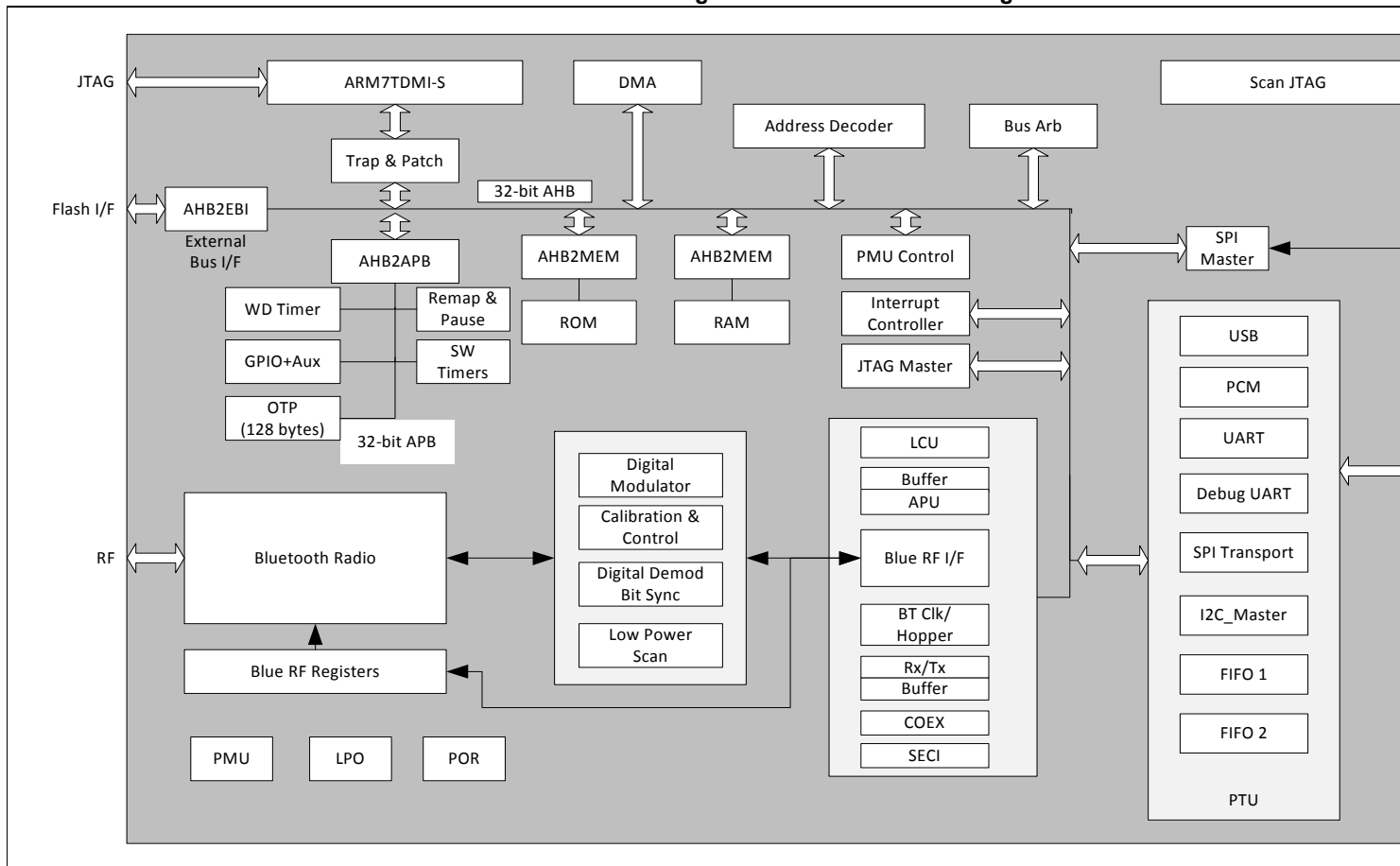
- Support for Bluetooth 4.0 + EDR and Low Energy (LE), including the following options:
 - A whitelist size of 25.
 - Enhanced Power Control
 - HCI Read Encryption Key Size command
- Full support for Bluetooth 2.1 + EDR additional features:
 - Secure Simple Pairing (SSP)
 - Encryption Pause Resume (EPR)
 - Enhance Inquiry Response (EIR)
 - Link Supervision Time Out (LSTO)
 - Sniff SubRating (SSR)
 - Erroneous Data (ED)
 - Packet Boundary Flag (PBF)
- Built-in Low Drop-Out (LDO) regulators (2)
 - 1.63 to 5.5V input voltage range
 - 1.8 to 3.3V intermediate programmable output voltage
- Integrated RF section
 - Single-ended, 50 ohm RF interface
 - Built-in TX/RX switch functionality
 - TX Class 1 output power capability
 - RX sensitivity basic rate of -88 dBm
 - RX sensitivity for Low Energy of -92 dBm
- Supports maximum Bluetooth data rates over HCI UART, USB, and SPI interfaces
- Multipoint operation, with up to 7 active slaves
 - Maximum of 7 simultaneous active ACL links
 - Maximum of 3 simultaneous active SCO and eSCO links, with Scatternet support
- Scatternet operation, with up to 4 active piconets (with background scan and support for ScatterMode)
- High-speed HCI UART transport support
 - H4 five-wire UART (four signal wires, one ground wire)
 - H5 three-wire UART (two signal wires, one ground wire)
 - Maximum UART baud rates of 4 Mbps
 - Low-power out-of-band BT_WAKE and HOST_WAKE signaling
 - VSC from host transport to UART
 - Proprietary compressing scheme (allows more than 2 simultaneous A2DP packets and up to 5 devices at a time)
- HCI USB transport support
 - USB version 2.0 full-speed compliant interface
 - Full USB hub
 - UHE (proprietary method for emulating a Human Interface Device (HID) at system bootup)

- Channel Quality-Driven Data Rate (CQDDR) and packet type selection
- Standard Bluetooth test modes
- Extended radio and production test mode features
- Full support for power savings modes:
 - Bluetooth standard sniff
 - Deep sleep modes and regulator shutdown
- Supports Wide-Band Speech (WBS) over PCM and Packet Loss Concealment (PLC) for better audio quality
- 2-, 3-, and 4-wire coexistence
- Power Amplifier (PA) shutdown for externally controlled coexistence, such as WIMAX
- Built-in LPO clock or operation using an external LPO clock
- TCXO input and auto-detection of all standard handset clock frequencies (supports low-power crystal, which can be used during Power Saving mode with better timing accuracy)
- OR gate for combining a host clock request with a Bluetooth clock request (operates even when the Bluetooth core logic is powered off)
- Larger patch RAM space to support future enhancements
- Serial flash Interface with native support for devices from several manufacturers
- One-Time Programmable (OTP) memory

1.2 Block Diagram

Figure 2 shows the interconnect of the major CYW20702 physical blocks and associated external interfaces.

Figure 2. Functional Block Diagram



1.3 Usage Model

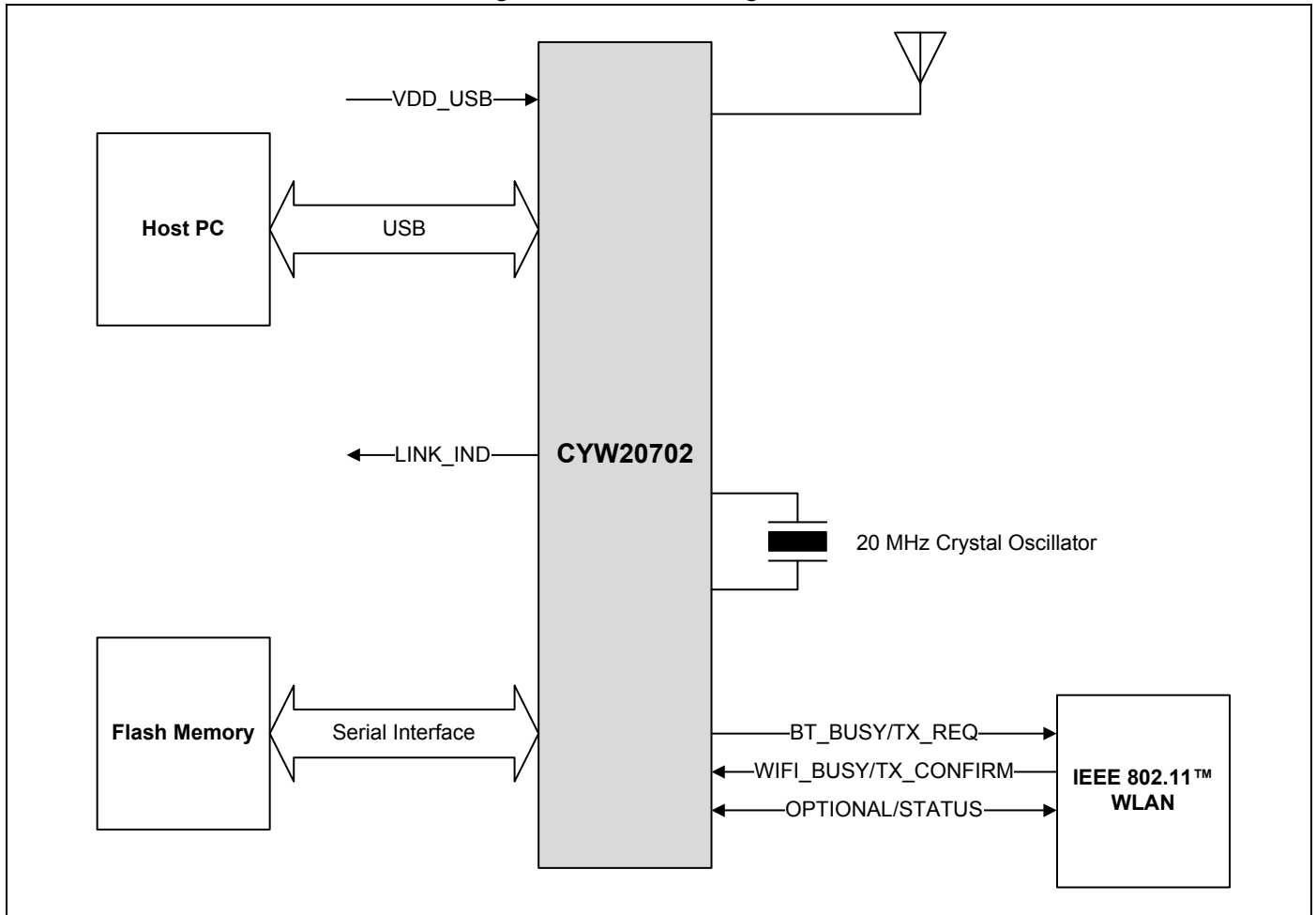
This section contains information on the “PC Product Usage Model”.

1.3.1 PC Product Usage Model

The CYW20702 can be directly interfaced using the HCI USB interface, providing full support for embedded USB applications like laptops and PC motherboards. The CYW20702 also supports PC applications as an external USB dongle peripheral device.

Figure 3 shows an example of a PC product usage model.

Figure 3. PC Product Usage Model



2. Integrated Radio Transceiver

The CYW20702 has an integrated radio transceiver that has been optimized for use in 2.4 GHz Bluetooth wireless systems. It has been designed to provide low-power, low-cost, robust communications for applications operating in the globally available 2.4 GHz unlicensed ISM band. The CYW20702 is fully compliant with the Bluetooth Radio Specification and enhanced data rate specification and meets or exceeds the requirements to provide the highest communication link quality of service.

2.1 Transmitter Path

The CYW20702 features a fully integrated zero IF transmitter. The baseband transmitted data is digitally modulated in the modem block and up-converted to the 2.4 GHz ISM band in the transmitter path. The transmitter path consists of signal filtering, I/Q up-conversion, a high-output power amplifier (PA), and RF filtering.

The CYW20702 also incorporates modulation schemes to support enhanced data rates.

- P/4-DQPSK for 2 Mbps
- 8-DPSK for 3 Mbps

2.1.1 Digital Modulator

The digital modulator performs the data modulation and filtering required for the GFSK, $\Pi/4$ DQPSK, and 8-DPSK signals. The fully digital modulator minimizes any frequency drift or anomalies in the modulation characteristics of the transmitted signal and is much more stable than direct VCO modulation schemes.

2.1.2 Power Amplifier

The CYW20702 integrated PA can be configured for Class 2 operation, transmitting up to +4 dBm. The PA can also be configured for Class 1 operation, transmitting up +10 dBm at the chip in gFSK mode, when a minimum supply voltage of 2.5V is applied to VDDTF.

Because of the linear nature of the PA, combined with integrated filtering, minimal external filtering is required to meet Bluetooth and regulatory harmonic and spurious requirements.

Using a highly linearized, temperature compensated design, the PA can transmit +10 dBm for basic rate and +8 dBm for enhanced data rates (2 to 3 Mbps). A flexible supply voltage range allows the PA to operate from 1.2V to 3.3V. A minimum supply voltage of 2.5V is required at VDDTF to achieve +10 dBm of transmit power.

2.2 Receiver Path

The receiver path uses a low IF scheme to downconvert the received signal for demodulation in the digital demodulator and bit synchronizer. The receiver path provides a high degree of linearity, an extended dynamic range, and high order on-chip channel filtering to ensure reliable operation in the noisy 2.4 GHz ISM band. The front-end topology, with built-in out-of-band attenuation, enables the device to be used in most applications without off-chip filtering. For integrated handset operation where the Bluetooth function is integrated close to the cellular transmitter, minimal external filtering is required to eliminate the desensitization of the receiver by the cellular transmit signal.

2.2.1 Digital Demodulator and Bit Synchronizer

The digital demodulator and bit synchronizer uses the low IF received signal to perform an optimal frequency tracking and bit synchronization algorithm.

2.2.2 Receiver Signal Strength Indicator

The CYW20702 radio provides a Receiver Signal Strength Indicator (RSSI) signal to the baseband so that the controller can take part in a Bluetooth power-controlled link by providing a metric of its own receiver signal strength to determine whether the transmitter should increase or decrease its output power.

2.3 Local Oscillator Generation

Local Oscillator (LO) generation provides fast frequency hopping (1600 hops/second) across the 79 maximum available channels. The LO generation subblock employs an architecture for high immunity to LO pulling during PA operation. The device uses fully-integrated PLL loop filters.

2.4 Calibration

The radio transceiver features an automated calibration scheme that is fully self-contained in the radio. User interaction is not required during normal operation or during manufacturing to provide the optimal performance. Calibration optimizes the performance of all major blocks in the radio, including gain and phase characteristics of filters, matching between key components, and key gain blocks. Calibration, which takes process and temperature variations into account, occurs transparently during the settling time of the hops, adjusting for temperature variations as the device cools and heats during normal operation.

2.5 Internal LDO

Two internal Low Drop-Out (LDO) voltage regulators eliminate the need for external voltage regulators and therefore reduce the BOM. The first LDO is a preregulator (HV LDO). The second LDO (Main LDO) supplies the main power to the CYW20702 (see Figure 4).

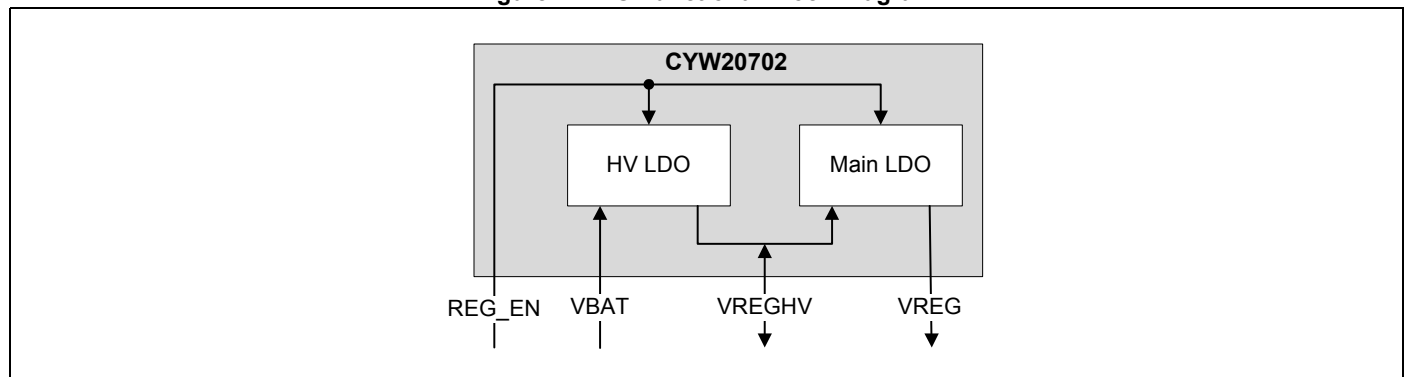
The HV LDO has an input voltage range of 2.3V to 5.5V. The input VBAT is ideal for batteries. The VREGHV output is programmable from 1.8V to 3.3V, in 100 mV steps. The dropout voltage is 200 mV. The HV LDO can supply up to 95 mA, which leaves spare power for external circuitry such as an RF power amp for higher transmit power. If the HV LDO is not used, to turn off the HV LDO and minimize current consumption, connect the VBAT input to the VREGHV output. Firmware can then disable the HV LDO, saving the quiescent current.

The HV LDO default output voltage is 2.9V, allowing this regulator to be used to power external NV memory devices, as well as the VDDO rail. The firmware can then adjust this output to as low as 1.8V, if desired, to power VDDTF.

The main LDO has a 1.22V output (VREG) and is used to supply main power to the CYW20702. The input of this LDO (VREGHV) has an input voltage range of from 1.63V to 3.63V. The output of the HV LDO is internally connected to the input to the main LDO. Power can be applied to VREGHV when the HV LDO is not used. The main LDO supplies power to the entire device for Class 2 operation. The main LDO can drive up to 60 mA, which leaves spare power for external circuitry. The main LDO is bypassed by not connecting anything to its output (VREG) and driving 1.12V–1.32V directly to VDDC and VDDRF.

REG_EN provides a control signal for the host to control power to the CYW20702. When power is enabled, the CYW20702 will require complete initialization.

Figure 4. LDO Functional Block Diagram



3. Bluetooth Baseband Core

The Bluetooth Baseband Core (BBC) implements the time critical functions required for high-performance Bluetooth and Low Energy operation. The BBC manages buffering, segmentation, and data routing for all connections. It also buffers data that passes through it, handles data flow control, schedules SCO/ACL Tx/Rx transactions, monitors Bluetooth slot usage, optimally segments and packages data into baseband packets, manages connection status indicators, and composes and decodes HCI packets. In addition to these functions, it independently handles HCI event types and HCI command types.

3.1 Transmit and Receive Functions

The following transmit and receive functions are implemented in the BBC hardware to increase the reliability and security of the Tx/Rx data before sending the data over the air:

In the transmitter:

- Data framing
- Forward Error Correction (FEC) generation
- Header Error Control (HEC) generation
- Cyclic Redundancy Check (CRC) generation
- Key generation
- Data encryption
- Data whitening

In the receiver:

- Symbol timing recovery
- Data deframing
- FEC
- HEC
- CRC
- Data decryption
- Data dewhitening

3.2 Bluetooth 4.0 + EDR Features

The CYW20702 supports Bluetooth 4.0 + EDR and Low Energy, including the following options:

- A whitelist size of 25
- Enhanced Power Control
- HCI Read Encryption Key Size command

The CYW20702 provides full support for Bluetooth 2.1 + EDR additional features:

- Secure Simple Pairing (SSP)
- Encryption Pause Resume (EPR)
- Enhance Inquiry Response (EIR)
- Link Supervision Time Out (LSTO)
- Sniff SubRating (SSR)
- Erroneous Data (ED)
- Packet Boundary Flag (PBF)

3.3 Frequency Hopping Generator

The frequency hopping sequence generator selects the correct hopping channel number, based on the link controller state, Bluetooth clock, and device address.

3.4 Link Control Layer

The Link Control layer is part of the Bluetooth link control functions implemented in dedicated logic in the Link Control Unit (LCU). This layer consists of the Command Controller that takes commands from the software and other controllers that are activated or configured by the Command Controller to perform the link control tasks.

There are two major states—Standby and Connection. Each task establishes a different state in the Bluetooth Link Controller. In addition, there are eight substates—Page, Page Scan, Inquiry, Inquiry Scan, Sniff, and Sniff SubRating.

3.5 Test Mode Support

The CYW20702 fully supports Bluetooth Test Mode.

In addition to the standard Bluetooth Test mode, the device supports enhanced testing features to simplify RF debugging and qualification and type approval testing.

These test features include:

- Fixed frequency carrier wave (unmodulated) transmission
 - Simplifies some type approval measurements (Japan)
 - Aids in transmitter performance analysis
- Fixed frequency constant receiver mode
 - Directs receiver output to I/O pin
 - Allows for direct BER measurements using standard RF test equipment
 - Facilitates spurious emissions testing for receive mode
- Fixed frequency constant bit stream transmission
 - Unmodulated, 8-bit fixed pattern, PRBS-9, or PRBS-15
 - Enables modulated signal measurements with standard RF test equipment
- Packetized connectionless transmitter test
 - Hopping or fixed frequency
 - Multiple packet types supported
 - Multiple data patterns supported
- Packetized connectionless receiver test
 - Fixed frequency
 - Multiple packet types supported
 - Multiple data patterns supported

3.6 Power Management Unit

The Power Management Unit (PMU) provides power management features that can be invoked through power management registers or packet handling in the baseband core. This section contains descriptions of the PMU features.

3.6.1 RF Power Management

The BBC generates power-down control signals for the transmit path, receive path, PLL, and power amplifier to the 2.4 GHz transceiver. The transceiver then processes the power-down functions, accordingly.

3.6.2 Host Controller Power Management

The host can place the device in a sleep state, in which all nonessential blocks are powered off and all nonessential clocks are disabled. Power to the digital core is maintained so that the state of the registers and RAM is not lost. In addition, the LPO clock is applied to the internal sleep controller so that the chip can wake automatically at a specified time or based on signaling from the host. The goal is to limit the current consumption to a minimum, while maintaining the ability to wake up and resume a connection with minimal latency.

If a scan or sniff session is enabled while the device is in Sleep mode, the device automatically will wake up for the scan/sniff event, then go back to sleep when the event is done. In this case, the device uses its internal LPO-based timers to trigger the periodic wake up. While in Sleep mode, the transports are idle. However, the host can signal the device to wake up at any time. If signaled to wake up while a scan or sniff session is in progress, the session continues but the device will not sleep between scan/sniff events. Once Sleep mode is enabled, the wake signaling mechanism can also be thought of as a sleep signaling mechanism, since removing the wake status will often cause the device to sleep.

In addition to a Bluetooth device wake signaling mechanism, there is a host wake signaling mechanism. This feature provides a way for the Bluetooth device to wake up a host that is in a reduced power state.

There are three mechanisms for the device and the host to signal wake status to each other:

- **USB:** When running in USB mode, the device supports the USB version 2.0 full-speed specification, suspend/resume signaling, as well as remote wake-up signaling for power control.
- **Bluetooth WAKE (BT_WAKE) and Host WAKE (and HOST_WAKE) signaling:** The BT_WAKE pin (GPIO_0) allows the host to wake the BT device, and HOST_WAKE (GPIO_1) is an output that allows the BT device to wake the host.
- **In-band UART signaling:** The CTS and RTS signals of the UART interface are used for BT wake (CTS) and Host wake (RTS) functions in addition to their normal function on the UART interface. Note that this applies for both H4 and H5 protocols.

When running in SPI mode, the CYW20702 has a mode where it enters Sleep mode when there is no activity on the SPI interface for a specified (programmable) amount of time. Idle mode is detected when the SPI_CSN is left deasserted. Whether to sleep on an idle interface and the amount of time to wait before entering Sleep mode can be programmed by the host. Once the CYW20702 enters sleep, the host can wake it by asserting SPI_CSN. If the host decides to sleep, the CYW20702 will wake up the host by asserting SPI_INT when it has data for it.

Note: Successful operation of the power management handshaking signals requires coordinated support between the device firmware and the host software.

Table 2. Power Control Pin Summary

Pin	Direction	Description
BT_WAKE (GPIO_0)	Host output BT input	Bluetooth device wake-up: Signal from the host to the Bluetooth device that the host requires attention. <ul style="list-style-type: none"> ■ Asserted = Bluetooth device must wake up or remain awake. ■ Deasserted = Bluetooth device may sleep when sleep criteria are met. The polarity of this signal is software configurable and can be asserted high or low. By default, BT_WAKE is active-low (if BT-WAKE is low it requires the device to wake up or remain awake). For USB applications, this can be used for setting Airport mode (radio disable mode).
HOST_WAKE (GPIO_1)	BT output Host input	Host wake-up. Signal from the Bluetooth device to the host indicating that Bluetooth device requires attention. <ul style="list-style-type: none"> ■ Asserted = Host device must wake up or remain awake. ■ Deasserted = Host device may sleep when sleep criteria are met. The polarity of this signal is software configurable and can be asserted high or low.
CLK_REQ (GPIO_5)	BT output	Clock request <ul style="list-style-type: none"> ■ Asserted = External clock reference required ■ Deasserted = External clock reference may be powered down For the CYW20702A1KWFBG, the polarity of CLK_REQ is active low.
REG_EN	BT input	Enables the internal preregulator and main regulator outputs. REG_EN is active-high. <ul style="list-style-type: none"> ■ 1 = Enabled ■ 0 = Disabled

3.6.3 BBC Power Management

The device provides the following low-power operations for the BBC:

- Physical layer packet handling turns RF on and off dynamically within packet TX and RX.
- Bluetooth specified low-power connection mode (Sniff). While in this low-power connection mode, the device runs on the Low Power Oscillator and wakes up after a predefined time period.

3.6.4 Backdrive Protection

The CYW20702 provides a backdrive protection feature that allows the device to be turned off while the host and other devices in the system remain operational. When the device is not needed in the system, VDD_RF and VDDC are shut down and VDDO remains powered. This allows the device to be effectively off, while keeping the I/O pins powered so that they do not draw extra current from other devices connected to the I/O.

Note: VDD_RF collectively refers to the VDDTF, VDDIF, VDDLNA, VDDPX, and VDDRF RF power supplies.

Note: Never apply voltage to I/O pins if VDDO is not applied.

During the low power shutdown state and as long as VDDO remains applied to the device, all outputs are tristated and all digital and analog clocks are disabled. Input voltages must remain within the limits defined for normal operation. This is done to either prevent current draw and back loading on digital signals in the system. It also enables the device to be fully integrated in an embedded device and take full advantage of the lowest power savings modes. If VDDC is powered up externally (not connected to VREG), VDDC requires 750K ohms to ground during low-power shutdown. If VDDC is powered up by VREG, VDDC does not require 750K ohms to ground because the internal main LDO has about 750 K ohms to ground when turned off.

Several signals, including the frequency reference input (XTAL_IN) and external LPO input (LPO_IN), are designed to be high-impedance inputs that will not load down the driving signal, even if VDDO power is not applied to the chip. The other signals with back drive prevention are RST_N, COEX_IN, PCM_SYNC, PCM_CLK, PCM_OUT, PCM_IN, UART_RTS_N, UART_CTS_N, UART_RXD, UART_TXD, GPIO_0, GPIO_1, GPIO_4, GPIO_7, HUSB_DP, HUSB_DN, CFG_SEL, and OTP_DIS.

All other I/O signals must remain at VSS until VDDO is applied. Failing to do this can result in unreliable startup behavior.

When powered on, using REG_EN is the same as applying power to the CYW20702. The device does not have information about its state before being powered-down.

3.7 Adaptive Frequency Hopping

The CYW20702 supports host channel classification and dynamic channel classification Adaptive Frequency Hopping (AFH) schemes, as defined in the Bluetooth specification.

Host channel classification enables the host to set a predefined hopping map for the device to follow.

If dynamic channel classification is enabled, the device gathers link quality statistics on a channel-by-channel basis to facilitate channel assessment and channel map selection. To provide a more accurate frequency hop map, link quality is determined using both RF and baseband signal processing.

3.8 Collaborative Coexistence

The CYW20702 provides extensions and collaborative coexistence to the standard Bluetooth AFH for direct communication with WLAN devices. Collaborative coexistence enables WLAN and Bluetooth to operate simultaneously in a single device. The device supports industry-standard coexistence signaling, including 802.15.2, and supports Broadcom and third-party WLAN solutions.

Using a multitiered prioritization approach, relative priorities between data types and applications can be set. This approach maximizes the performance-WLAN data throughput vs. voice quality vs. link performance.

A PA shutdown pin is available to allow full external control of the RF output for other types of coexistence, such as WIMAX.

3.9 Serial Enhanced Coexistence Interface

The Serial Enhanced Coexistence Interface (Serial ECI or SECI) is a proprietary Cypress interface between Cypress WLAN devices and Bluetooth devices. It is an optional replacement to the legacy 3- or 4-wire coexistence feature, which is also available.

The following key features are associated with the interface:

- Enhanced coexistence data can be exchanged over a two-wire interface, one serial input (SECI_IN), and one serial output (SECI_OUT). The pad configuration registers must be programmed to choose the digital I/O pins that serve the SECI_IN and SECI_OUT function.
- It supports generic UART communication between WLAN and Bluetooth devices.
- To conserve power, it is disabled when inactive.
- It supports automatic resynchronization upon waking from sleep mode.
- It supports a baud rate of up to 4 Mbps.

3.9.1 SECI Advantages

The advantages of the SECI over the legacy 3-wire coexistence interface are:

- Only two wires are required: SECI_IN and SECI_OUT.
- Up to 48-bits of coexistence data can be exchanged.

Previous Cypress standalone Bluetooth devices such as the BCM2070 supported only a 3-wire or 4-wire coexistence interface. Previous Cypress WLAN and Bluetooth combination devices such as the CYW4325, CYW4329, and CYW4330 support an internal parallel enhanced coexistence interface for more efficient WLAN and Bluetooth information exchange. The SECI allows enhanced coexistence information to be passed to a companion Cypress WLAN chip through a serial interface using fewer I/O than the 3-wire coexistence scheme.

The 48-bits of the SECI significantly enhance WLAN and Bluetooth coexistence by sharing such information as frequencies used and radio usage times. The exact contents of the SECI are Cypress confidential.

3.9.2 SECI I/O

The CYW20702 does not have dedicated SECI_IN or SECI_OUT pins, but the two pin functions can be mapped to the following digital I/O: the UART, GPIO, SPI Master (or BSC), PCM, and COEX pins. Pin function mapping is controlled by the config file that is either stored in NVRAM or downloaded directly into on-chip RAM from the host.

4. Microprocessor Unit

4.1 Overview

The CYW20702 microprocessor unit runs software from the Link Control (LC) layer up to the Host Controller Interface (HCI). The microprocessor is based on the ARM7TDMI-S 32-bit RISC processor with embedded ICE-RT debug and JTAG interface units. The microprocessor also includes 384 KB of ROM memory for program storage and boot ROM, 112 KB of RAM for data scratch-pad, and patch RAM code.

The internal boot ROM provides flexibility during power-on reset to enable the same device to be used in various configurations, including automatic host transport selection from SPI, USB, or UART, with or without external NVRAM. At power-up, the lower layer protocol stack is executed from the internal ROM.

External patches can be applied to the ROM-based firmware to provide flexibility for bug fixes and features additions. These patches can be downloaded from the host to the device through the SPI, USB, or UART transports, or using external NVRAM. The device can also support the integration of user applications and profiles using an external serial flash memory.

4.2 NVRAM Configuration Data and Storage

4.2.1 Serial Interface

The CYW20702 includes an SPI master controller that can be used to access serial flash memory. The SPI master contains an AHB slave interface, transmit and receive FIFOs, and the SPI core PHY logic. Data is transferred to and from the module by the system CPU. DMA operation is not supported.

The CYW20702 supports serial flash vendors Atmel®, MXIC, and Numonyx™. The most commonly used parts from two of these vendors are:

- AT25BCM512B, manufactured by Atmel
- MX25V512ZUI-20G, manufactured by MXIC

4.3 EEPROM

The CYW20702 includes a Broadcom Serial Control (BSC) master interface. The BSC interface supports low-speed and fast mode devices and is compatible with I²C slave devices. Multiple I²C master devices and flexible wait state insertion by the master interface or slave devices are not supported. The CYW20702 provides 400 kHz, full speed clock support.

The BSC interface is programmed by the CPU to generate the following BSC transfer types on the bus:

- Read-only
- Write-only
- Combined read/write
- Combined write-read

NVRAM may contain configuration information about the customer application, including the following:

- Fractional-N information
- BD_ADDR
- UART baud rate
- USB enumeration information
- SDP service record
- File system information used for code, code patches, or data

4.4 External Reset

The CYW20702 has an integrated power-on reset circuit which completely resets all circuits to a known power on state. This action can also be driven by an external reset signal, which can be used to externally control the device, forcing it into a power-on reset state. The RST_N signal input is an active-low signal for all versions of the CYW20702. The CYW20702 requires an external pull-up resistor on the RST_N input. Alternatively, the RST_N input can be connected to REG_EN or driven directly by a host GPIO.

4.5 One-Time Programmable Memory

The CYW20702 includes a One-Time Programmable (OTP) memory, allowing manufacturing customization and avoiding the need for an on-board NVRAM. If customization is not required, then the OTP does not need to be programmed. Whether the OTP is programmed or not, it is disabled after the boot process completes to save power.

The OTP size is 128 bytes.

The OTP is designed to store a minimal amount of information. Aside from OTP data, most user configuration information will be downloaded into RAM after the CYW20702 boots up and is ready for host transport communication. The OTP contents are limited to:

- Parameters required prior to downloading user configuration to RAM.
- Parameters unique to each part and each customer (i.e., the BD_ADDR, software license key, and USB PID/VID).

The OTP memory is particularly useful in a PC design with USB transport capability because:

- Some customer-specific information must be configured before enumerating the part on the USB transport.
- Part or customer unique information (BD_ADDR, software license key, and USB PID/VID) do not need to be stored on the host system.

4.5.1 Contents

The following are typical parameters programmed into the OTP memory:

- BD_ADDR
- Software license key
- USB PID/VID
- USB bus/self-powered status
- Output power calibration
- Frequency trimming
- Initial status LED drive configuration

The OTP contents also include a static error correction table to improve yield during the programming process as well as forward error correction codes to eliminate any long-term reliability problems. The OTP contents associated with error correction are not visible by customers.

4.5.2 Programming

OTP memory programming takes place through a combination of Cypress software integrated with the manufacturing test software and code embedded in CYW20702 firmware.

Programming the OTP requires a 3.3V supply. The OTP programming supply comes from the VDD_USB pin. For applications where the OTP is most useful, such as the USB transport application for the PC market, the 3.3V is already required for USB operation from the VDD_USB pin. The OTP power supply is allowed to be as low as 1.8 V to be able to read the contents. See [Table 3](#) for the OTP memory programming supply voltage requirements.

The OTP is enabled by default by setting OTP_DIS to low using an internal pull-down resistor. Leave this pin floating for a default configuration. To disable the OTP, set the OTP_DIS pin to active high. This pin can be configured from the HW to enable or disable OTP.

Typically it won't be necessary to disable the OTP memory, even if it is not programmed during manufacturing. The OTP_DIS package ball only needs to be tied to high if recommended by Cypress.

Table 3. OTP Programming Supply Voltage Requirements^a

Supply	Minimum ^b	Typical	Maximum ^b	Unit
VDD_USB	TBD	TBD	TBD	V

a. The average and peak current consumptions during OTP memory programming are 20 mA and 70 mA, respectively.

b. Contact your Cypress representative for recommended minimum and maximum supply voltages.

5. Peripheral Transport Unit

This section discusses the PCM, USB, UART, and SPI peripheral interfaces. The CYW20702 has a 1040 byte transmit and receive fifo, which is large enough to hold the entire payload of the largest EDR BT packet (3-DH5).

5.1 PCM Interface

The CYW20702 PCM interface can connect to linear PCM codec devices in master or slave mode. In master mode, the device generates the PCM_BCLK and PCM_SYNC signals. In slave mode, these signals are provided by another master on the PCM interface as inputs to the device.

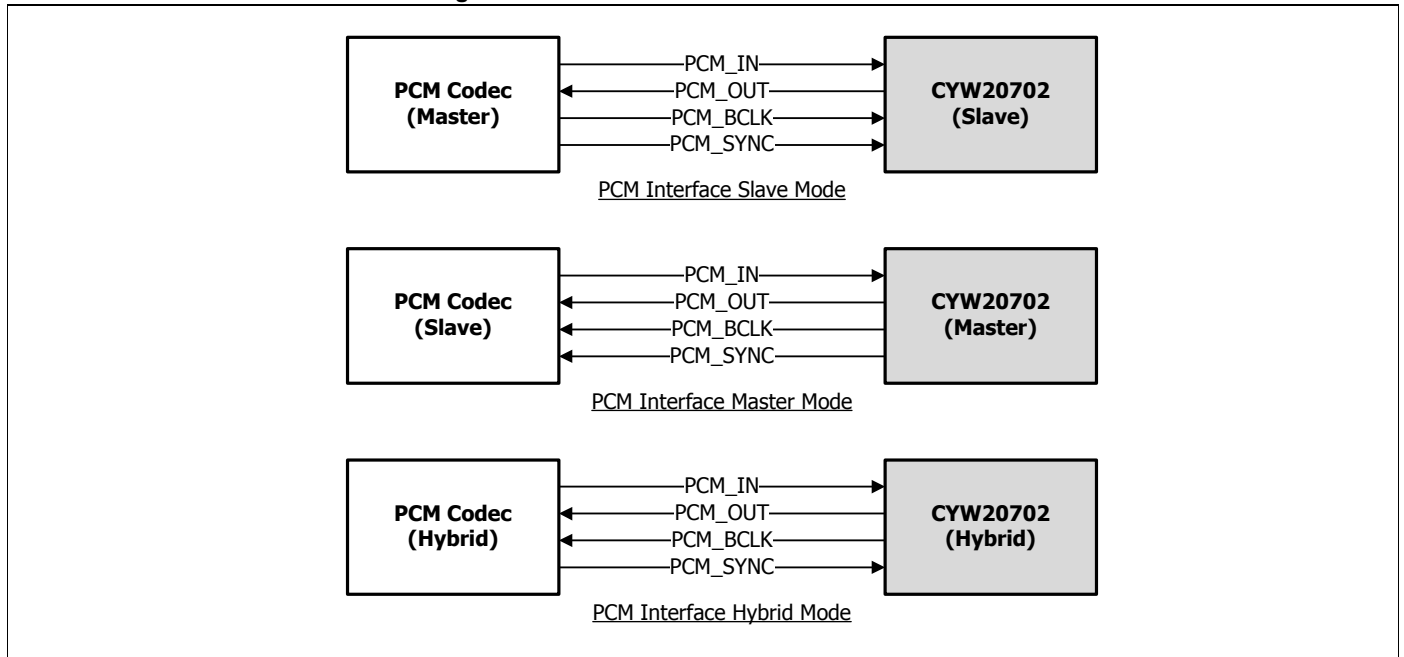
The device supports up to three SCO or eSCO channels through the PCM interface and each channel can be independently mapped to any available slot in a frame.

The host can adjust the PCM interface configuration using vendor-specific HCI commands or it can be setup in the configuration file.

5.1.1 System Diagram

Figure 5 shows options for connecting the device to a PCM codec device as a master or a slave.

Figure 5. PCM Interface with Linear PCM Codec



5.1.2 Slot Mapping

The device supports up to three simultaneous, full-duplex SCO or eSCO channels. These channels are time-multiplexed onto the PCM interface using a time slotting scheme based on the audio sampling rate, as described in Table 4.

Table 4. PCM Interface Time Slotting Scheme

Audio Sample Rate	Time Slotting Scheme	
8 kHz	The number of slots depends on the selected interface rate, as follows:	
	Interface rate 128 256 512 1024 2048	Slot 1 2 4 8 16
16 kHz	The number of slots depends on the selected interface rate, as follows:	
	Interface rate 256 512 1024 2048	Slot 1 2 4 8

Transmit and receive PCM data from an SCO channel is always mapped to the same slot. The PCM data output driver tri-states its output on unused slots to allow other devices to share the same PCM interface signals. The data output driver tri-states its output after the falling edge of the PCM clock during the last bit of the slot.

5.1.3 Wideband Speech

The CYW20702 provides support for Wideband Speech (WBS) in two ways:

- **Transparent mode:** The host encodes WBS packets and the encoded packets are transferred over the PCM bus for SCO or eSCO voice connections. In Transparent mode, the PCM bus is typically configured in master mode for a 4 kHz sync rate with 16-bit samples, resulting in a 64 kbps bit rate.
- **On-chip SmartAudio® technology:** The CYW20702 can perform Subband-Codec (SBC) encoding and decoding of linear 16 bits at 16 kHz (256 kbps rate) transferred over the PCM bus.

5.1.4 Frame Synchronization

The device supports both short and long frame synchronization types in both master and slave configurations. In short frame synchronization mode, the frame synchronization signal is an active-high pulse at the 8 kHz audio frame rate (which is a single bit period in width) and synchronized to the rising edge of the bit clock. The PCM slave expects PCM_SYNC to be high on the falling edge of the bit clock and the first bit of the first slot to start at the next rising edge of the clock. In the long frame synchronization mode, the frame synchronization signal is an active-high pulse at the 8 kHz audio frame rate. However, the duration is 3-bit periods and the pulse starts coincident with the first bit of the first slot.

5.1.5 Data Formatting

The device can be configured to generate and accept several different data formats. The device uses 13 of the 16 bits in each PCM frame. The location and order of these 13 bits is configurable to support various data formats on the PCM interface. The remaining three bits are ignored on the input, and may be filled with zeros, ones, a sign bit, or a programmed value on the output. The default format is 13-bit two's complement data, left justified, and clocked most significant bit first.

5.2 HCI Transport Detection Configuration

The CYW20702 supports the following interface types for the HCI transport from the host:

- UART (H4 and H5)
- USB
- SPI

Only one host interface can be active at a time. The firmware performs a transport detect function at boot-time to determine which host is the active transport. It can auto-detect UART and USB interfaces, but the SPI interface must be selected by strapping the SCL pin to 0.

The complete algorithm is summarized as follows:

1. Determine if SCL is pulled low. If it is, select SPI as HCI host transport.
2. Determine if any local NVRAM contains a valid configuration file. If it does and a transport configuration entry is present, select the active transport according to entry, and then exit the transport detection routine.
3. Look for start-of-frame (SOF) on the USB interface. If it is present, select USB.
4. Look for CTS_N = 0 on the UART interface. If it is present, select UART.
5. Repeat [Step 3](#) and [Step 4](#) until transport is determined.

5.3 USB Interface

5.3.1 Features

The following USB interface features are supported:

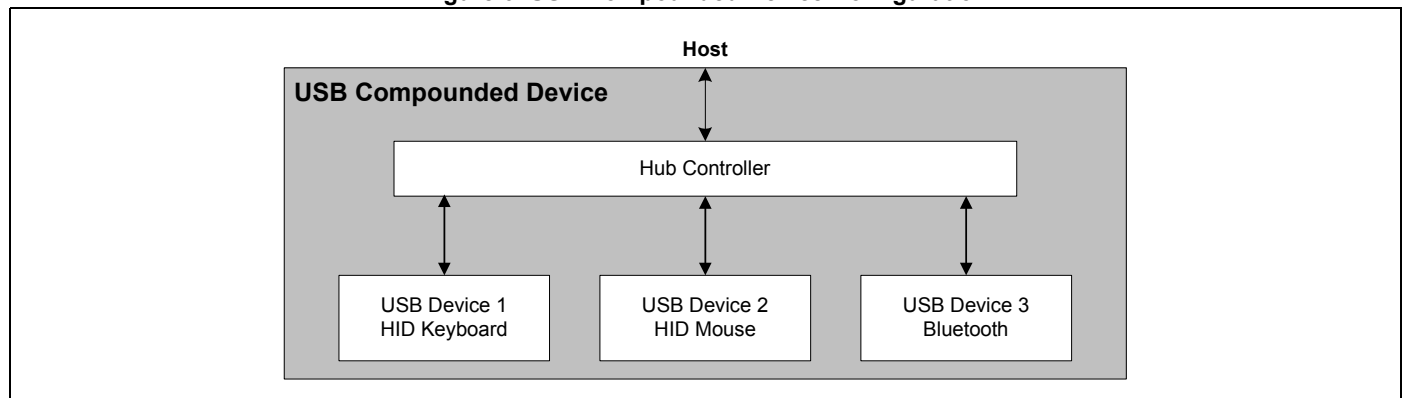
- USB Protocol, Revision 2.0, full-speed compliant including the hub
- Optional hub compound device with up to three device cores internal to device.
- Bus or self-power, dynamic configuration for the hub
- Global and selective suspend and resume with remote wakeup
- Bluetooth HCI
- HID, DFU, UHE (proprietary method to emulate an HID device at system bootup)
- Integrated detach resistor

5.3.2 Operation

Note: The USB and HCI UART interfaces cannot be used simultaneously. For designs that do not use the USB interface, VDD_USB, HUSB_DP and HUSB_DN must be connected to ground.

The CYW20702 can be configured to boot up as either a single USB peripheral or a USB hub with several USB peripherals attached. As a single peripheral, the host detects a single USB Bluetooth device. In Hub mode, the host detects a hub with one to three of the ports already connected to USB devices (see [Figure 6](#)).

Figure 6. USB Compounded Device Configuration



Depending on the desired hub mode configuration, the CYW20702 can boot up showing the three ports connected to logical USB devices internal to the CYW20702—a generic Bluetooth device, a mouse, and a keyboard. In this mode, the mouse and keyboard are emulated devices, since they connect to real HID devices via a Bluetooth link. The Bluetooth link to these HID devices is hidden from the USB host. To the host, the mouse and/or keyboard appear to be directly connected to the USB port. This Cypress proprietary architecture is called USB HID Emulation (UHE).

The USB device, configuration, and string descriptors are fully programmable, allowing manufacturers to customize the descriptors, including vendor and product IDs, the CYW20702 uses to identify itself on the USB port. To make custom USB descriptor information available at boot time, stored it in external NVRAM.

Despite the mode of operation (Single Peripheral or Hub), the Bluetooth device is configured to include the following interfaces:

Interface 0	Contains a Control endpoint (Endpoint 0x00) for HCI commands, a Bulk In Endpoint (Endpoint 0x82) for receiving ACL data, a Bulk Out Endpoint (Endpoint 0x02) for transmitting ACL data, and an Interrupt Endpoint (Endpoint 0x81) for HCI events.
Interface 1	Contains Isochronous In and Out endpoints (Endpoints 0x83 and 0x03) for SCO traffic. Several alternate Interface 1 settings are available for reserving the proper bandwidth of isochronous data (depending on the application).
Interface 2	Contains Bulk In and Bulk Out endpoints (Endpoints 0x84 and 0x04) used for proprietary testing and debugging purposes. These endpoints can be ignored during normal operation.

5.3.3 USB Hub and UHE Support

The CYW20702 supports the USB hub and device model (USB, Revision 2.0, full-speed compliant). Optional mouse and keyboard devices utilize Broadcom’s proprietary USB HID Emulation (UHE) architecture, which allows these devices appear as standalone HID devices even though connected through a Bluetooth link.

The presence of UHE devices requires the hub to be enabled. The CYW20702 cannot appear as a single keyboard or a single mouse device without the hub. Once either mouse or keyboard UHE device is enabled, the hub must also be enabled.

When the hub is enabled, the CYW20702 handles all standard USB functions for the following devices:

- HID keyboard
- HID mouse
- Bluetooth

All hub and device descriptors are firmware-programmable. This USB compound device configuration (see [Figure 6](#)) supports up to three downstream ports. This configuration can also be programmed to a single USB device core. The device automatically detects activity on the USB interface when connected. Therefore, no special configuration is needed to select HCI as the transport.

The hub’s downstream port definition is as follows:

- Port 1 USB lite device core (for HID applications)
- Port 2 USB lite device core (for HID applications)
- Port 3 USB full device core (for Bluetooth applications)

When operating in Hub mode, all three internal devices do not have to be enabled. Each internal USB device can be optionally enabled. The configuration record in NVRAM determines which devices are present.

5.4 UART Interface

The UART physical interface is a standard, 4-wire interface (RX, TX, RTS, CTS) with adjustable baud rates from 9600 bps to 4.0 Mbps. The interface features an automatic baud rate detection capability that returns a baud rate selection. Alternatively, the baud rate can be selected via a vendor-specific UART HCI command. The interface supports Bluetooth UART HCI (H4) specifications. The default baud rate for H4 is 115.2 Kbaud.

The following baud rates are supported:

- 9600
- 14400
- 19200
- 28800
- 38400
- 57600
- 115200
- 230400
- 460800
- 921600
- 1444444
- 150000
- 2000000
- 3000000
- 3250000
- 3692000
- 4000000

Normally, the UART baud rate is set by a configuration record downloaded after reset or by automatic baud rate detection. The host does not need to adjust the baud rate. Support for changing the baud rate during normal HCI UART operation is provided through a vendor-specific command.

The CYW20702 UART operates with the host UART correctly, provided the combined baud rate error of the two devices is within $\pm 2\%$.

5.4.1 HCI 3-Wire Transport (UART H5)

The CYW20702 supports H5 UART transport for serial UART communications. H5 reduces the number of signal lines required by eliminating CTS and RTS, when compared to H4.

H5 requires the use of an external LPO. CTS must be pulled low.

5.5 SPI

The CYW20702 supports a slave SPI HCI transport with an input clock range of up to 16 MHz. Higher clock rates may be possible. The physical interface between the SPI master and the CYW20702 consists of the four SPI signals (SPI_CSB, SPI_CLK, SPI_SI, and SPI_SO) and one interrupt signal (SPI_INT). The 20702 internal SPI transport signals are multiplexed to the UART pins as follows: 20702-pin F6 --> UART_TXD (MISO); 20702-pin G7 --> UART_CTS (SPI_CLK); 20702-pin E5 --> UART_RTS (CS); and 20702-pin D7 --> UART_RXD (MOSI). The GPIO_1 is used for the SPI interrupt signal (SPI_INT). The CYW20702 can be configured to accept active-low or active-high polarity on the SPI_CSB chip select signal. It can also be configured to drive an active-low or active-high SPI_INT interrupt signal. Bit ordering on the SPI_SI and SPI_SO data lines can be configured as either little-endian or big-endian. Additionally, proprietary sleep mode, half-duplex handshaking is implemented between the SPI master and the CYW20702.

SPI_INT is required to negotiate the start of a transaction. The SPI interface does not require flow control in the middle of a payload. The FIFO is large enough to handle the largest packet size. Only the SPI master can stop the flow of bytes on the data lines, since it controls SPI_CSB and SPI_CLK. Flow control should be implemented in higher layer protocols.

Note: The 20702 pins E7, F7, G8, and E8 are used for SPI serial flash access. When the SPI transport detection is used, the serial flash interface may not be used because SCL must be tied low.

5.6 Simultaneous UART Transport and Bridging

The CYW20702 supports UART or USB interfaces that can function as the host controller interface (HCI). Typically, a customer application would choose one of the two interfaces and the other would be idle. The CYW20702 allows the UART transport to operate simultaneously with the USB. To operate this way, the assumption is that the USB would function as the primary host transport, while the UART would function as a secondary communication channel that can operate at the same time. This can enable the following applications:

- Bridging primary HCI transport traffic to another device via the UART
- Generic communication to an external device for a vendor-supported application via the UART

Simultaneous UART transport and bridging is enabled by including:

- Two dedicated 64-byte FIFOs, one for the input and one for the output
- Additional DMA channels
- Additional vendor-supported commands over the HCI transport

6. Frequency References

The CYW20702 uses two different frequency references for normal and low-power operational modes. An external crystal or frequency reference driven by a Temperature Compensated Crystal Oscillator (TCXO) signal is used to generate the radio frequencies and normal operation clocking. Either an external 32.768 kHz or fully integrated internal Low-Power Oscillator (LPO) is used for low-power mode timing.

6.1 Crystal Interface and Clock Generation

The CYW20702 uses a fractional-N synthesizer to generate the radio frequencies, clocks, and data/packet timing, enabling it to operate from any of a multitude of frequency sources. The source can be external, such as a TCXO, or a crystal interfaced directly to the device.

The default frequency reference setting is for a 20 MHz crystal or TCXO. The signal characteristics for the crystal interface are listed in [Table 5](#).

Table 5. Crystal Interface Signal Characteristics

Parameter	Crystal	External Frequency Reference	Units
Acceptable frequencies	12–52 MHz in 2 ppm ^a steps	12–52 MHz in 2 ppm ^a steps	–
Crystal load capacitance	12 (typical)	N/A	pF
ESR	60 (max)	–	Ω
Power dissipation	200 (max)	–	μW
Input signal amplitude	N/A	400 to 2000 2000 to 3300 (requires a 10 pF DC blocking capacitor to attenuate the signal)	mVp-p
Signal type	N/A	Square-wave or sine-wave	–
Input impedance	N/A	≥1 ≤ 2	MΩ pF
Phase noise	N/A	–	–
@ 1 kHz	N/A	< –120 ^b	dBc/Hz
@ 10 kHz	N/A	< –131 ^b	dBc/Hz
@ 100 kHz	N/A	< –136 ^b	dBc/Hz
@ 1 MHz	N/A	< –136 ^b	dBc/Hz
Auto-detection frequencies when using external LPO ^c	12, 13, 14.4, 15.36, 16.2, 16.8, 18, 19.2, 19.44, 19.68, 19.8, 20, 24, 26, 33.6, 37.4, and 38.4	12, 13, 14.4, 15.36, 16.2, 16.8, 18, 19.2, 19.44, 19.68, 19.8, 20, 24, 26, 33.6, 37.4, and 38.4	MHz
Tolerance without frequency trimming ^d	±20	±20	ppm
Initial frequency tolerance trimming range	±50	±50	ppm

a. The frequency step size is approximately 80 Hz resolution.

b. With a 26 MHz reference clock. For a 13 MHz clock, subtract 6 dB. For a 52 MHz clock, add 6 dB.

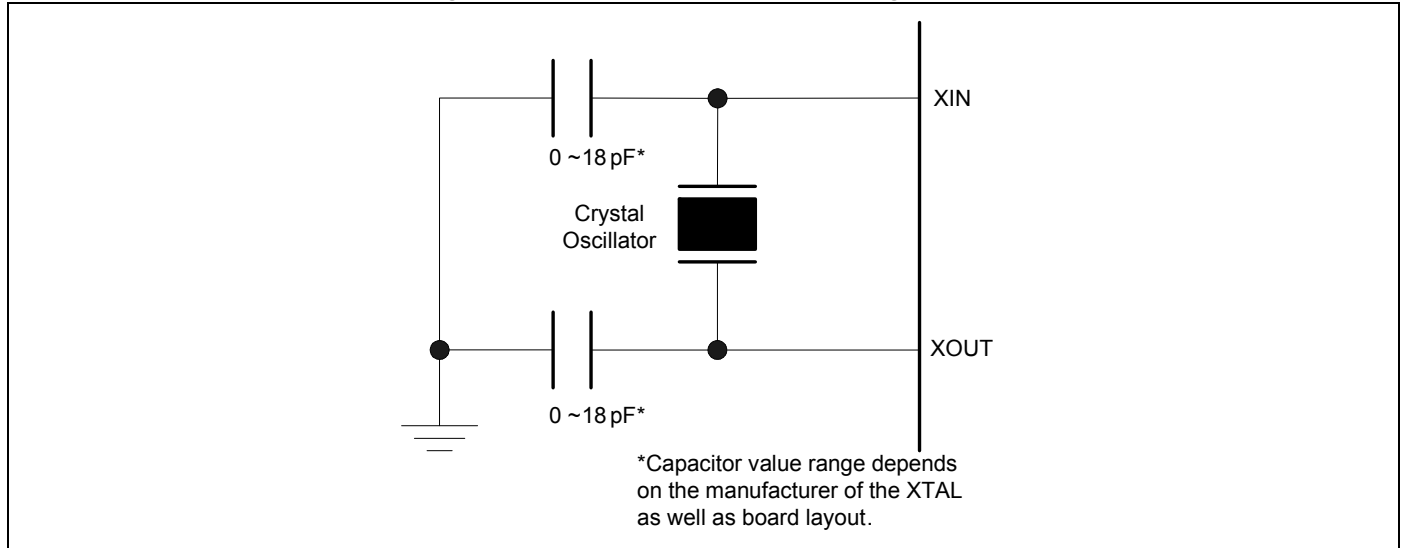
c. Auto-detection of the frequency requires the crystal or external frequency reference to have less than ±50 ppm of variation and also requires an external LPO frequency which has less than ±250 ppm of variation at the time of detection.

d. AT-Cut crystal or TXCO recommended.

6.2 Crystal Oscillator

The CYW20702 can use an external crystal to provide a frequency reference. The recommended configuration for the crystal oscillator, including all external components, is shown in [Figure 7](#).

Figure 7. Recommended Oscillator Configuration

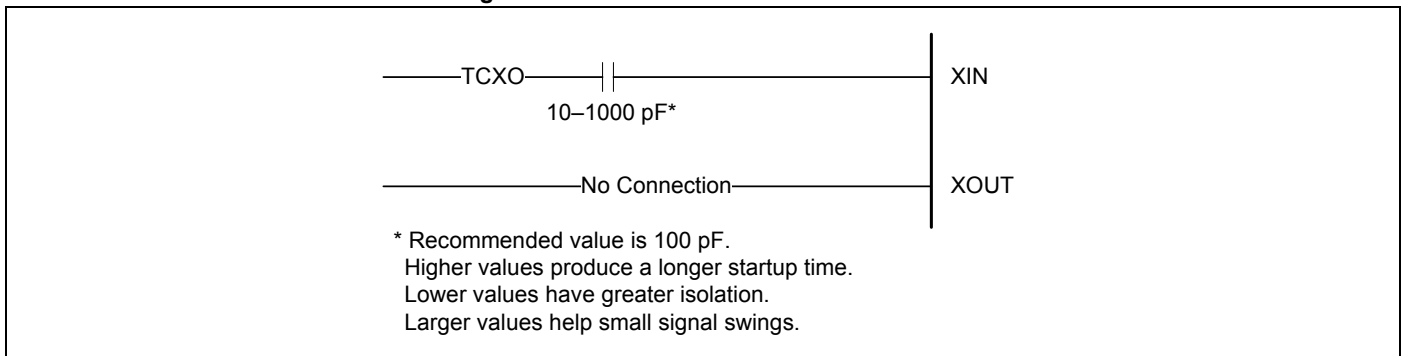


6.3 External Frequency Reference

An external frequency reference, such as VDD_RF, collectively refers to several RF power supplies generated by a TCXO signal that may be directly connected to the crystal input pin on the CYW20702, as shown in [Figure 8](#). The external frequency reference input is designed to not change loading on the TCXO when the CYW20702 is powered up or powered down.

When using the CYW20702 with the TXCO OR gate option, GPIO 6 must be driven active high or active low. Excessive leakage current results if GPIO6 is allowed to float.

Figure 8. Recommended TCXO Connection



6.3.1 TCXO Clock Request Support

If the application utilizes an external TCXO as a clock reference, the CYW20702 provides a clock request output to allow the system to power off the TCXO when not in use.

6.4 Frequency Selection

Any frequency within the range specified for the crystal and TCXO reference can be used. These frequencies include standard handset reference frequencies (12, 13, 14.4, 15.36, 16.2, 16.8, 18, 19.2, 19.44, 19.68, 19.8, 20, 24, 26, 33.6, 37.4, and 38.4 MHz) and any frequency between these reference frequencies, as desired by the system designer. Since bit timing is derived from the reference frequency, the CYW20702 must have the reference frequency set correctly in order for any of the USB, UART, and PCM interfaces to function properly.

The CYW20702 reference frequency can be set in one of the following ways.

- Use the default 20 MHz frequency by leaving the CFG_SEL pin unconnected or by strapping it high. The CFG_SEL pin is internally pulled up in the CYW20702.
- Use the 26 MHz option by setting CFG_SEL low.
- Designate the reference frequency in external NVRAM
- Auto-detect the standard handset reference frequencies using an external LPO clock

For PC and embedded applications where there typically won't be an LPO clock, if autobaud is enabled, the CYW20702 will use XTAL to sync up with the UART, thus allowing a user to download a firmware configuration without having to make a crystal frequency assumption. Alternatively, the CYW20702 will upload the firmware configuration from an attached NVRAM (if one is attached) and use it to make a crystal frequency assumption. Finally, if neither of the above is true, then the CYW20702 will look at the status of the CFG_SEL pin and decide whether to choose 20 or 26 MHz. Autobaud is only valid for UART applications.

The 20 MHz choice is only a default in the sense that if the pin is left floating, it will be pulled up internally to support the 20 MHz option.

If the application requires a frequency other than the default, the value can be stored in an external NVRAM. Programming the reference frequency in NVRAM provides the maximum flexibility in the selection of the reference frequency, since any frequency within the specified range for crystal and external frequency reference can be used. During power-on reset (POR), the device downloads the parameter settings stored in NVRAM, which can be programmed to include the reference frequency and frequency trim values. Typically, this is how a PC Bluetooth application is configured.

For applications such as handsets and portable smart communication devices, where the reference frequency is one of the standard frequencies commonly used, the CYW20702 automatically detects the reference frequency and programs itself to the correct reference frequency. In order for auto-frequency detection to work properly, the CYW20702 must have a valid and stable 32.768 kHz external LPO clock present during POR. This eliminates the need for NVRAM in applications where the external LPO clock is available and an external NVRAM is typically not used.

6.5 Frequency Trimming

The CYW20702 uses a fractional-N synthesizer to digitally fine-tune the frequency reference input to within ± 2 ppm tuning accuracy. This trimming function can be applied to either the crystal or an external frequency source such as a TCXO. Unlike the typical crystal-trimming methods used, the CYW20702 changes the frequency using a fully digital implementation and is much more stable and unaffected by crystal characteristics or temperature. Input impedance and loading characteristics remain unchanged on the TCXO or crystal during the trimming process and are unaffected by process and temperature variations.

The option to use or not use frequency trimming is based on the system designer's cost trade-off between bill-of-materials (BOM) cost of the crystal and the added manufacturing cost associated with frequency trimming. The frequency trimming value can either be stored in the host and written to the CYW20702 as a vendor-specific HCI command or stored in NVRAM and subsequently recalled during POR.

Frequency trimming is not a substitute for the poor use of tuning capacitors at an crystal oscillator (XTAL). Occasionally, trimming can help alleviate hardware changes.

6.6 LPO Clock Interface

The LPO clock is the second frequency reference that the CYW20702 uses to provide low-power mode timing for sniff. The LPO clock can be provided to the device externally, from a 32.768 kHz source or the CYW20702 can operate using the internal LPO clock.

The LPO can be internally driven from the main clock. However, sleep current will be impacted.

The accuracy of the internal LPO limits the maximum sniff intervals.

Table 6. External LPO Signal Requirements

Parameter	External LPO Clock	Units
Nominal input frequency	32.768	kHz
Frequency accuracy	±250	ppm
Input signal amplitude	200 to 3600	mVp-p
Signal type	Square-wave or sine-wave	–
Input impedance (when power is applied or power is off)	>100 <5	kΩ pF

7. Pin-out and Signal Descriptions

7.1 Pin Descriptions

Table 7. CYW20702 Signal Descriptions

Signal	WFBGA Pin (50-Ball)	I/O	Power Domain	Description
Radio				
RES	F3	O	VDD_RF	External calibration resistor, 15 kΩ @ 1%
RFP	D1	I/O	VDD_RF	RF I/O antenna port
XIN	G2	I	VDD_RF	Crystal or reference input
XOUT	G3	O	VDD_RF	Crystal oscillator output
Analog				
LPO_IN	B4	I	VDDRF	External LPO input
Voltage Regulators				
REG_EN	B2	I	VDDO	HV LDO and main enable
VBAT	A3	I	N/A	HV LDO input
VREGHV	A2	I/O	N/A	HV LDO output: main LDO input
VREG	A1	O	N/A	Main LDO output
Straps				
CFG_SEL	B8	I/O	VDDO	This pin is floating for the 20 MHz XTAL option and tied to ground for the 26 MHz XTAL option.
OTP_DIS	B7	I/O	VDDO	OTP disable pin. By default, leave this pin floating.
RST_N	A4	I	VDDO	Active-low reset input
TM0	–	I	VDDO	Clock request polarity select
TM1	–	I	VDDO	Internally connected to ground
TM2	E3	I	VDDO	Reserved: connect to ground.
Digital I/O				
GPIO_0	B5	I/O	VDDO	GPIO/BT_WAKE
GPIO_1	B3	I/O	VDDO	GPIO/HOST_WAKE. It is also used for the SPI interrupt signal (SPI_INT) when used as SPI transport.
GPIO_3	D8	I/O	VDDO	GPIO/LINK_IND Can be configured for active high or low as well as open drain.
GPIO_4	–	I/O	VDDO	GPIO
GPIO_5	F4	I/O	VDDO	GPIO/CLK_REQ TCXO-OR Function Out available on some packages. See Section 11. Ordering Information .
GPIO_6	E4	I/O	VDDO	GPIO TCXO-OR Function In available on some packages. See Section 11. Ordering Information .
GPIO_7	C7	I/O	VDDO	DETATCH/CARD_DETECT
UART_RXD	D7	I/O	VDDO	UART receive data. Also mapped to the SPI signal MOSI.
UART_TXD	F6	I/O	VDDO	UART transmit data. Also mapped to the SPI signal MISO.
GPIO_0	B5	I/O	VDDO	GPIO/BT_WAKE
GPIO_1	B3	I/O	VDDO	GPIO/HOST_WAKE. It is also used for the SPI interrupt signal (SPI_INT) when used as SPI transport.

Table 7. CYW20702 Signal Descriptions (Cont.)

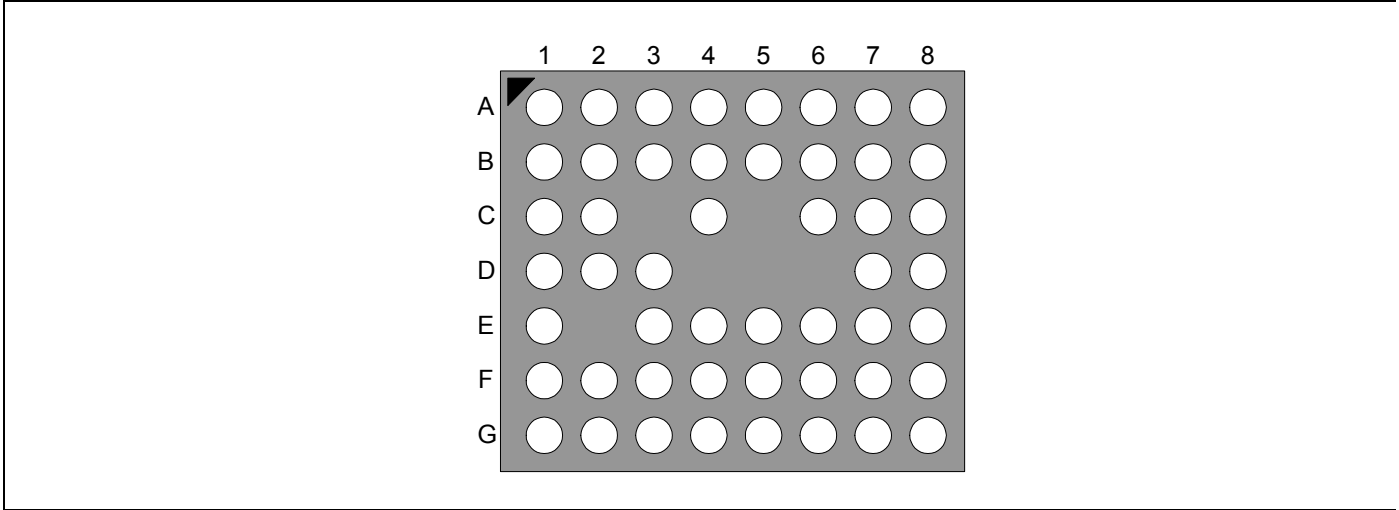
Signal	WFBGA Pin (50-Ball)	I/O	Power Domain	Description
UART_RTS_N	E5	I/O	VDDO	UART request to send output. Also mapped to the SPI signal CS.
UART_CTS_N	G7	I/O	VDDO	UART clear to send input. Also mapped to the SPI signal SPI_CLK.
SCL	F7	I/O	VDDO	BSC clock. Also used for serial flash access (MISO).
SDA	E7	I/O	VDDO	BSC data. Also used for serial flash access (MOSI).
SPIM_CLK	E8	I/O	VDDO	Serial flash SPI clock
SPIM_CS_N	G8	I/O	VDDO	Serial flash active-low chip select
PCM_IN	G6	I/O	VDDO	PCM/I2S data input
PCM_OUT	F5	I/O	VDDO	PCM/I2S data output
PCM_CLK	G5	I/O	VDDO	PCM/I2S clock
PCM_SYNC	C4	I/O	VDDO	PCM sync/I2S word select
COEX_IN	B6	I/O	VDDO	Coexistence input
USB				
HUSB_DP	A8	I/O	VDD_USB	USB hub. If not used, connect to GND.
HUSB_DN	A7	I/O	VDD_USB	If not used, connect to GND.
Supplies				
VDDIF	B1	I	N/A	Radio IF PLL supply
VDDTF	C1	I	N/A	Radio PA supply
VDDLNA	E1	I	N/A	Radio LNA supply
VDDRF	F1	I	N/A	Radio supply
VDDPX	G1	I	N/A	Radio RF PLL supply
VDDC	A6	I	N/A	Core logic supply
VDDC	F8	I	N/A	Core logic supply
VDDC	–	I	N/A	Core logic supply
VDDO	G4	I	N/A	Digital I/O supply voltage
VDDO	A5	I	N/A	Digital I/O supply voltage
VDDO	E6	I	N/A	Digital I/O supply voltage
VDD_USB	C8	I	N/A	USB transceiver supply voltage. If not used, connect to GND.
VSS	C2	–	N/A	Ground
VSS	D2	–	N/A	Ground
VSS	F2	–	N/A	Ground
VSS	D3	–	N/A	Ground

8. Ball Grid Arrays

Figure 9 shows the top view of the following array:

- 50-ball 4.5 x 4 x 0.8 mm (WFBGA)

Figure 9. 4.5 x 4 x 0.8 mm (WFBGA) Arra



y

Table 8. Ball-Out for the 50-Ball WFBGA

	1	2	3	4	5	6	7	8
A	VREG	VREGHV	VBAT	RST_N	VDDO	VDDC	HUSB_DN	HUSB_DP
B	VDDIF	REG_EN	GPIO_1	LPO_IN	GPIO_0	COEX_IN	OTP_DIS	CFG_SEL
C	VDDTF	VSS	–	PCM_SYNC	–	VSS	GPIO_7	VDD_USB
D	RFP	VSS	VSS	–	–	–	UART_RXD	GPIO_3
E	VDDLNA	–	TM2	GPIO_6	UART_RTS_N	VDDO	SDA	SPIM_CLK
F	VDDRF	VSS	RES	GPIO_5	PCM_OUT	UART_TXD	SCL	VDDC
G	VDDPX	XIN	XOUT	VDDO	PCM_CLK	PCM_IN	UART_CTS_N	SPIM_CS_N

9. Electrical Characteristics

Note: All voltages listed in [Table 9](#) are referenced to V_{DD} .

Table 9. Absolute Maximum Voltages

Rating	Symbol	Minimum	Typical	Maximum	Unit
DC supply voltage for RF	VDD_RF ^a	–	1.22	1.32	V
DC supply voltage for core	VDDC	–	1.22	1.32	V
DC supply voltage for I/O	VDDO ^b	–	1.8	3.6	V
DC supply	VDDTF	–	1.12	3.3 ^c	V
Voltage on input or output pin	VIMAX, VIMIN	$V_{SS} - 0.3$	–	$VDDO + 0.3$	V
Storage temperature range	TSTG	–40	–	125	°C

a. VDD_RF collectively refers to the VDDIF, VDDLNA, VDDPX, and VDDRF RF power supplies.

b. If VDDO is not applied, voltage should never be applied to any digital I/O pins (I/O pins should never be driven or pulled high). The list of digital I/O pins includes the following (these pins are listed in [Section 7. Pin-out and Signal Descriptions](#) with VDDO shown as their power domain):
 GPIO[3], GPIO[5], GPIO[6]
 SCL, SDA
 N_MODE
 SPIM_CS_N, SPIM_CLK

c. VDDTF for Class 2 must be connected to VREG (main LDO output). VDDTF for Class 1 must be connected to VREGHV (HV LDO output) or an external voltage source. Refer to the Cypress compatibility guide for configuration details.

Table 10. Power Supply

Parameter	Symbol	Minimum	Typical	Maximum	Unit
DC supply voltage for RF	VDD_RF ^a	1.159	1.22	1.281	V
DC supply noise for RF, from 100 kHz to 1 MHz	VDD_RF ^b	–	–	150	μV rms
DC supply voltage for core	VDDC	1.159	1.22	1.281	V
DC supply voltage for I/O	VDDO	1.7	–	3.6	V
DC supply voltage for USB	VDD_USB	3.0	3.3	3.6	V
DC supply	VDDTF ^c	1.12	–	3.0 ^d	V

a. VDD_RF collectively refers to the VDDIF, VDDLNA, VDDPX, VDDLNA, VDDRF RF power supplies.

b. Overall performance defined using integrated regulation.

c. VDDTF for Class 2 must be connected to VREG (main LDO output). VDDTF for Class 1 must be connected to VREGHV (HV LDO output) or an external voltage source. Refer to the Cypress compatibility guide for configuration details. VDDTF requires a capacitor to ground. The value of the capacitor must be tuned to ensure optimal RF RX sensitivity. Typical 10 pF for BGA packages and 6.2 pF for wafer package. The value may depend on board layout.

d. Can be 3.3V if the output power is limited to 9 dBm.

Table 11. High-Voltage Regulator (HV LDO) Electrical Specifications

Parameter	Minimum	Typical	Maximum	Unit
Input voltage	2.3	–	5.5	V
Output voltage	1.8	–	3.3	V
Max current load	–	–	95	mA
Load capacitance	1	–	10	μF
Load capacitor ESR	0.01	–	2	Ω
PSRR	20	–	40	dB
Turn-on time (C _{load} = 2.2 μF)	–	–	200	μs
Dropout voltage	–	–	200	mV

Table 12. Main Regulator (Main LDO) Electrical Specifications

Parameter	Minimum	Typical	Maximum	Unit
Input voltage	1.63	–	3.63	V
Output voltage	1.159	1.22	1.281	V
Load current	–	–	60	mA
Load capacitance	1	–	2.2	μF
ESR	0.1	–	0.5	Ω
Turn-on time	–	–	300	μs
PSRR	15	–	–	dB
Dropout voltage	–	–	200	mV

Table 13. Digital I/O Characteristics

Characteristics	Symbol	Minimum	Typical	Maximum	Unit
Input low voltage (VDDO = 3.3V)	V _{IL}	–	–	0.8	V
Input high voltage (VDDO = 3.3V)	V _{IH}	2.0	–	–	V
Input low voltage (VDDO = 1.8V)	V _{IL}	–	–	0.6	V
Input high voltage (VDDO = 1.8V)	V _{IH}	1.1	–	–	V
Output low voltage	V _{OL}	–	–	0.4	V
Output high voltage	V _{OH}	VDDO – 0.4V	–	–	V
Input low current	I _{IL}	–	–	1.0	μA
Input high current	I _{IH}	–	–	1.0	μA
Output low current (VDDO = 3.3V, V _{OL} = 0.4V)	I _{OL}	–	–	3.0	mA
Output high current (VDDO = 3.3V, V _{OH} = 2.9V)	I _{OH}	–	–	3.0	mA
Output low current (VDDO = 1.8V, V _{OL} = 0.4V)	I _{OL}	–	–	3.0	mA
Output high current (VDDO = 1.8V, V _{OH} = 1.4V)	I _{OH}	–	–	3.0	mA
Input capacitance	C _{IN}	–	–	0.4	pF

Note: GPIO_3/LINK_IND has a 10 mA IOH or IOL driver current that can be used for an LED.

Note: By default, the drive strength settings specified in Table 13 are for 3.3V. To achieve the required drive strength for a VDDIO of 2.5V or 1.8V, contact a Cypress technical support representative (see “IoT Resources” for contact information).

Table 14. Pad I/O Characteristics^a

Pad Name	Pull-Up/Pull-Down	Fail-Safe
COEX_IN	Y	Y
PCM_CLK	Y	Y
PCM_OUT	Y	Y
PCM_IN	Y	Y
PCM_SYNC	Y	Y
UART_RTS_N	Y	Y
UART_CTS_N	Y	Y
UART_RXD	Y	Y
UART_TXD	Y	Y
GPIO_0	Y	Y
GPIO_1	Y	Y
GPIO_4	Y	Y
GPIO_7	Y	Y
RST_N	N/A	Y
USB D+	N/A	Y
USB D-	N/A	Y
CFG_SEL	Y	N
OTP_DIS	Y	N

a. All digital I/O internal pull-up or pull-down values are around 60 kΩ. This does not include the USB signals.

Table 15. USB Interface Level

Parameter	Symbol	Minimum	Typical	Maximum	Unit
I/O supply voltage	VDD_USB	3.0	–	3.6	V
Supply current	Icchpf	–	–	500	mA
Input high voltage (driven)	Vih	2.0	–	–	V
Input high voltage (floating)	Vihz	2.7	–	3.6	V
Input low voltage	Vil	–	–	0.8	V
Differential input sensitivity	Vdi	0.2	–	–	V
Differential common-mode range	Vcm	0.8	–	2.5	V
Output low voltage	Vol	0.0	–	0.3	V
Output high voltage (driven)	Voh	2.8	–	3.6	V
Output signal crossover voltage	Vcrs	1.3	–	2.0	V

Table 16. Current Consumption—Class 1(10 dBm)

Operational Mode	Conditions	Typical	Units
Receive (1 Mbps)	Current level during receive of a basic rate packet	31	mA
Transmit (1 Mbps)	Current level during transmit of a basic rate packet, GFSK output power = 10 dBm	65	mA
Receive (EDR)	Current level during receive of a 2 or 3 Mbps rate packet	32	mA
Transmit (EDR)	Current level during transmit of a 2 or 3 Mbps rate packet, GFSK output power = 10 dBm	59	mA
DM1/DH1	Average current during basic rate max throughput connection which includes only this packet type.	45	mA
DM3/DH3	Average current during basic rate max throughput connection which includes only this packet type.	46	mA
DM5/DH5	Average current during max basic rate throughput connection which includes only this packet type.	48	mA
HV1	Average current during SCO voice connection consisting of only this packet type. ACL channel is in 500 ms sniff.	38	mA
HV2	Average current during SCO voice connection consisting of only this packet type. ACL channel is in 500 ms sniff.	23	mA
HV3	Average current during SCO voice connection consisting of only this packet type. ACL channel is in 500 ms sniff.	17	mA
HCI only active	Average current when waiting for HCI command UART, USB, or SPI transports.	4.8	mA
Sleep	UART transport active, external LPO clock available.	55	µA
Sleep, HV Reg Bypass	UART transport active, external LPO clock available, HV LDO disabled and in bypass mode.	45	µA
Inquiry Scan (1.28 sec)	Periodic scan rate is 1.28 sec.	350	µA
Page Scan (R1)	Periodic scan rate is R1 (1.28 sec).	350	µA
Inquiry Scan + Page Scan (R1)	Both inquiry and page scans are interlaced together at 1.28 sec periodic scan rate.	630	µA
Sniff master (500 ms)	Attempt and timeout parameters set to 4. Quality connection which rarely requires more than minimum packet exchange.	175	µA
Sniff slave (500 ms)	Attempt and timeout parameters set to 4. Quality connection which rarely requires more than minimum packet exchange. Sniff master follows optimal sniff protocol of CYW20702 master.	160	µA
Sniff (500 ms) + Inquiry/ Page Scan (R1)	Same conditions as Sniff master and Page Scan (R1). Scan maybe either Inquiry Scan or Page Scan at 1.28 sec periodic scan rate.	455	µA
Sniff (500ms) + Inquiry Scan + Page Scan (R1)	Same conditions as Sniff master and Inquiry Scan + Page Scan.	760	µA

Table 17. Current Consumption—Class 2 (3 dBm)

Operational Mode	Conditions	Typical	Units
Receive (1 Mbps)	Current level during receive of a basic rate packet	31	mA
Transmit (1 Mbps)	Current level during transmit of a basic rate packet, GFSK output power = 3 dBm	44	mA
Receive (EDR)	Current level during receive of a 2 or 3 Mbps rate packet	32	mA
Transmit (EDR)	Current level during transmit of a 2 or 3 Mbps rate packet, GFSK output power = 3 dBm	41	mA
DM1/DH1	Average current during basic rate max throughput connection which includes only this packet type.	35	mA
DM3/DH3	Average current during basic rate max throughput connection which includes only this packet type.	36	mA
DM5/DH5	Average current during max basic rate throughput connection which includes only this packet type.	37	mA
HV1	Average current during SCO voice connection consisting of only this packet type. ACL channel is in 500 ms sniff.	28	mA
HV2	Average current during SCO voice connection consisting of only this packet type. ACL channel is in 500 ms sniff.	17	mA
HV3	Average current during SCO voice connection consisting of only this packet type. ACL channel is in 500 ms sniff.	13	mA
HCI only active	Average current when waiting for HCI command UART, USB, or SPI transports.	4.8	mA
Sleep	UART transport active, external LPO clock available.	55	μA
Sleep, HV Reg Bypass	UART transport active, external LPO clock available, HV LDO disabled and in bypass mode.	45	μA
Inquiry Scan (1.28 sec)	Periodic scan rate is 1.28 sec.	350	μA
Page Scan (R1)	Periodic scan rate is R1 (1.28 sec).	350	μA
Inquiry Scan + Page Scan (R1)	Both inquiry and page scans are interlaced together at 1.28 sec periodic scan rate.	630	μA
Sniff master (500 ms)	Attempt and timeout parameters set to 4. Quality connection which rarely requires more than minimum packet exchange.	145	μA
Sniff slave (500 ms)	Attempt and timeout parameters set to 4. Quality connection which rarely requires more than minimum packet exchange. Sniff master follows optimal sniff protocol of CYW20702 master.	135	μA
Sniff (500 ms) + Inquiry/ Page Scan (R1)	Same conditions as Sniff master and Page Scan (R1). Scan maybe either Inquiry Scan or Page Scan at 1.28 sec periodic scan rate.	425	μA
Sniff (500 ms) + Inquiry Scan + Page Scan (R1)	Same conditions as Sniff master and Inquiry Scan + Page Scan.	730	μA

Table 18. Operating Conditions

Parameter	Conditions	Minimum	Typical	Maximum	Unit
Temperature	Commercial	-30.0	-	85	°C
Power supply	RF, Core	1.14	1.22	1.32	V
PA supply (VDDTF)	Reduced power level	1.14	3.0	3.3	V

9.1 RF Specifications

Table 19. Receiver RF Specifications^{a, b}

Parameter	Conditions	Minimum	Typical ^c	Maximum	Unit
General					
Frequency range	–	2402	–	2480	MHz
RX sensitivity ^d	GFSK, 0.1% BER, 1 Mbps	–	–89	–85	dBm
	LE GFSK, 0.1% BER, 1 Mbps	–	–92	–88	dBm
	$\pi/4$ -DQPSK, 0.01% BER, 2 Mbps	–	–91	–85	dBm
	8-DPSK, 0.01% BER, 3 Mbps	–	–86	–81	dBm
Maximum input	GFSK, 1 Mbps	–	–	–20	dBm
Maximum input	$\pi/4$ -DQPSK, 8-DPSK, 2/3 Mbps	–	–	–20	dBm
Interference Performance					
C/I cochannel	GFSK, 0.1% BER	–	–	11	dB
C/I 1 MHz adjacent channel	GFSK, 0.1% BER	–	–	0	dB
C/I 2 MHz adjacent channel	GFSK, 0.1% BER	–	–	–30.0	dB
C/I \geq 3 MHz adjacent channel	GFSK, 0.1% BER	–	–	–40.0	dB
C/I image channel	GFSK, 0.1% BER	–	–	–9.0	dB
C/I 1 MHz adjacent to image channel	GFSK, 0.1% BER	–	–	–20.0	dB
C/I cochannel	$\pi/4$ -DQPSK, 0.1% BER	–	–	13	dB
C/I 1 MHz adjacent channel	$\pi/4$ -DQPSK, 0.1% BER	–	–	0	dB
C/I 2 MHz adjacent channel	$\pi/4$ -DQPSK, 0.1% BER	–	–	–30.0	dB
C/I \geq 3 MHz adjacent channel	8-DPSK, 0.1% BER	–	–	–40.0	dB
C/I image channel	$\pi/4$ -DQPSK, 0.1% BER	–	–	–7.0	dB
C/I 1 MHz adjacent to image channel	$\pi/4$ -DQPSK, 0.1% BER	–	–	–20.0	dB
C/I cochannel	8-DPSK, 0.1% BER	–	–	21	dB
C/I 1 MHz adjacent channel	8-DPSK, 0.1% BER	–	–	5	dB
C/I 2 MHz adjacent channel	8-DPSK, 0.1% BER	–	–	–25.0	dB
C/I \geq 3 MHz adjacent channel	8-DPSK, 0.1% BER	–	–	–33.0	dB
C/I Image channel	8-DPSK, 0.1% BER	–	–	0	dB
C/I 1 MHz adjacent to image channel	8-DPSK, 0.1% BER	–	–	–13.0	dB
Out-of-Band Blocking Performance (CW)^e					
30 MHz–2000 MHz	0.1% BER	–	–10.0	–	dBm
2000–2399 MHz	0.1% BER	–	–27	–	dBm
2498–3000 MHz	0.1% BER	–	–27	–	dBm
3000 MHz–12.75 GHz	0.1% BER	–	–10.0	–	dBm

Table 19. Receiver RF Specifications^{a, b} (Cont.)

Parameter	Conditions	Minimum	Typical ^c	Maximum	Unit
Out-of-Band Blocking Performance, Modulated Interferer					
776–764 MHz	CDMA	–	–15	–	dBm
824–849 MHz	CDMA	–	–15	–	dBm
1850–1910 MHz	CDMA	–	–20	–	dBm
824–849 MHz	EDGE/GSM	–	–10	–	dBm
880–915 MHz	EDGE/GSM	–	–10	–	dBm
1710–1785 MHz	EDGE/GSM	–	–15	–	dBm
1850–1910 MHz	EDGE/GSM	–	–15	–	dBm
1850–1910 MHz	WCDMA	–	–25	–	dBm
1920–1980 MHz	WCDMA	–	–25	–	dBm
Intermodulation Performance^f					
BT, Df = 5 MHz	–	–39.0	–	–	dBm
Spurious Emissions^g					
30 MHz to 1 GHz	–	–	–	–57	dBm
1 GHz to 12.75 GHz	–	–	–	–47	dBm
65 MHz to 108 MHz	FM Rx	–	–145	–	dBm/Hz
746 MHz to 764 MHz	CDMA	–	–145	–	dBm/Hz
851–894 MHz	CDMA	–	–145	–	dBm/Hz
925–960 MHz	EDGE/GSM	–	–145	–	dBm/Hz
1805–1880 MHz	EDGE/GSM	–	–145	–	dBm/Hz
1930–1990 MHz	PCS	–	–145	–	dBm/Hz
2110–2170 MHz	WCDMA	–	–145	–	dBm/Hz

a. All specifications are single ended. Unused inputs are left open.

b. All specifications, except typical, are for industrial temperatures. For details see [Table 18](#).

c. Typical operating conditions are 1.22V operating voltage and 25°C ambient temperature.

d. The receiver sensitivity is measured at BER of 0.1% on the device interface.

e. Meets this specification using front-end band pass filter.

f. $f_0 = -64$ dBm Bluetooth-modulated signal, $f_1 = -39$ dBm sine wave, $f_2 = -39$ dBm Bluetooth-modulated signal, $f_0 = 2f_1 - f_2$, and $|f_2 - f_1| = n \times 1$ MHz, where n is 3, 4, or 5. For the typical case, $n = 5$.

g. Includes baseband radiated emissions.

Table 20. Transmitter RF Specifications ^{a, b}

Parameter	Conditions	Minimum	Typical	Maximum	Unit
General					
Frequency range	–	2402	–	2480	MHz
Class1: GFSK Tx power ^c	–	6.5	10	–	dBm
Class1: EDR Tx power ^d	–	4.5	8	–	dBm
Class 2: GFSK Tx power	–	–1.5	2	–	dBm
Power control step	–	2	4	6	dB
Modulation Accuracy					
$\pi/4$ -DQPSK Frequency Stability	–	–10	–	10	kHz
$\pi/4$ -DQPSK RMS DEVM	–	–	–	20	%
$\pi/4$ -QPSK Peak DEVM	–	–	–	35	%
$\pi/4$ -DQPSK 99% DEVM	–	–	–	30	%
8-DPSK frequency stability	–	–10	–	10	kHz
8-DPSK RMS DEVM	–	–	–	13	%
8-DPSK Peak DEVM	–	–	–	25	%
8-DPSK 99% DEVM	–	–	–	20	%
In-Band Spurious Emissions					
+500 kHz	–	–	–	–20	dBc
1.0 MHz < M – N < 1.5 MHz	–	–	–	–26	dBc
1.5 MHz < M – N < 2.5 MHz	–	–	–	–20	dBm
M – N \geq 2.5 MHz	–	–	–	–40	dBm
Out-of-Band Spurious Emissions					
30 MHz to 1 GHz	–	–	–	–36.0 ^e	dBm
1 GHz to 12.75 GHz	–	–	–	–30.0 ^{e, f}	dBm
1.8 GHz to 1.9 GHz	–	–	–	–47.0	dBm
5.15 GHz to 5.3 GHz	–	–	–	–47.0	dBm
GPS Band Noise Emission (without a front-end band pass filter)					
1572.92 MHz to 1577.92 MHz	–	–	–150	–127	dBm/Hz
Out-of-Band Noise Emissions (without a front-end band pass filter)					
65 MHz to 108 MHz	FM Rx	–	–145	–	dBm/Hz
746 MHz to 764 MHz	CDMA	–	–145	–	dBm/Hz
869 MHz to 960 MHz	CDMA	–	–145	–	dBm/Hz
925 MHz to 960 MHz	EDGE/GSM	–	–145	–	dBm/Hz
1805 MHz to 1880 MHz	EDGE/GSM	–	–145	–	dBm/Hz
1930 MHz to 1990 MHz	PCS	–	–145	–	dBm/Hz
2110 MHz to 2170 MHz	WCDMA	–	–145	–	dBm/Hz

- a. All specifications are for industrial temperatures. For details, see [Table 18](#).
- b. All specifications are single-ended. Unused input are left open.
- c. +10 dBm output for GFSK measured with VDDTF = 2.9 V.
- d. +8 dBm output for EDR measured with VDDTF = 2.9 V.
- e. Maximum value is the value required for Bluetooth qualification.
- f. Meets this spec using a front-end bandpass filter.

9.2 Timing and AC Characteristics

In this section, use the numbers listed in the reference column to interpret the timing diagrams.

9.2.1 Startup Timing

There are two basic startup scenarios. In one scenario, the chip startup and firmware boot is held off while the RST_N pin is asserted. In the second scenario, the chip startup and firmware boot is directly triggered by the chip power-up. In this case, an internal power-on reset (POR) is held for a few ms, after which the chip commences startup.

The global reset signal in the CYW20702 is a logical OR (actually a wired AND, since the signals are active low) of the RST_N input and the internal POR signals. The last signal to be released determines the time at which the chip is released from reset. The POR is typically asserted for 3 ms after VDDC crosses the 0.8V threshold, but it may be as soon as 1.5 ms after this event.

After the chip is released from reset, both startup scenarios follow the same sequence, as follows:

1. For the CYW20702A1KWFBG part: After approximately 120 μ s, the CLK_REQ (GPIO_5) signal is asserted.
2. The chip remains in sleep state for a minimum of 4.2 ms.
3. If present, the crystal (or TCXO) and LPO clocks must be oscillating by the end of the 4.2 ms period.

If a TCXO clock is not in the system, a crystal is assumed to be present at the XIN and XOUT pins. If an LPO clock is not used, the firmware will detect the absence of a clock at the LPO_IN lead and use the internal LPO clock instead.

The following two figures illustrate two startup timing scenarios.

Figure 10. Startup Timing from RST_N

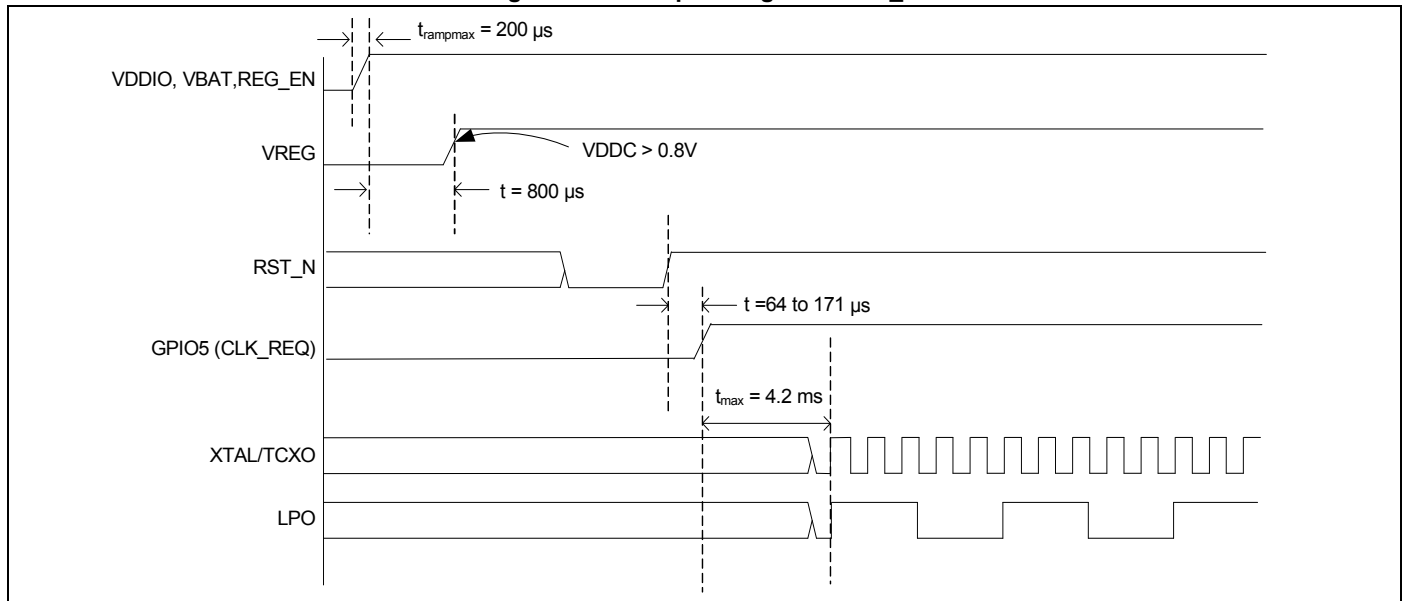
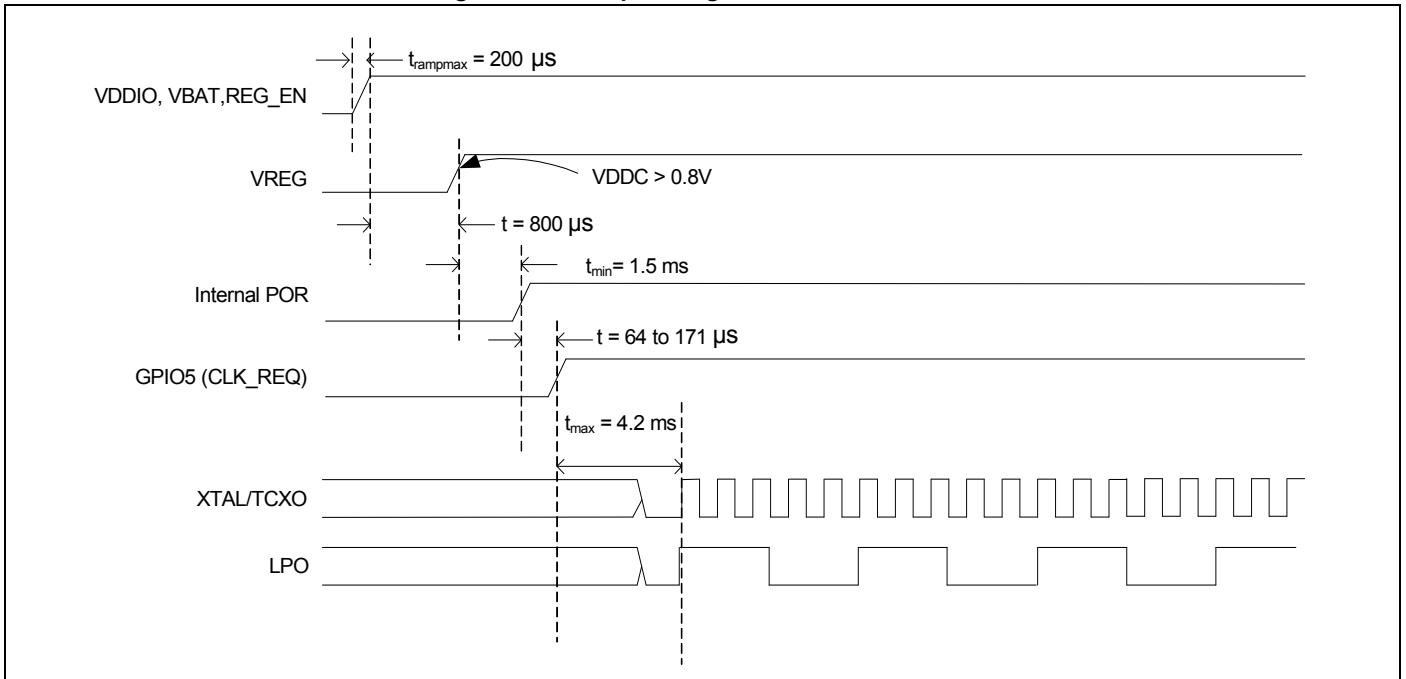


Figure 11. Startup Timing from Power-on Reset



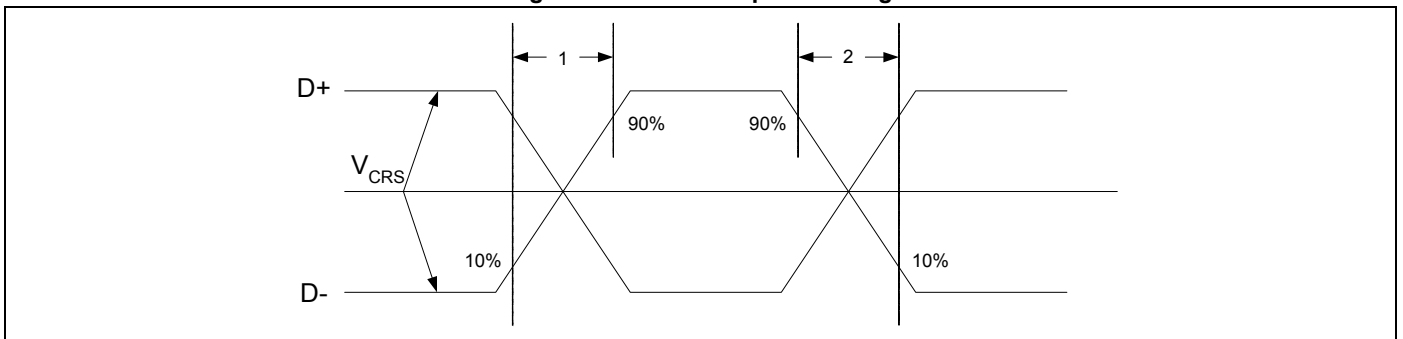
9.2.2 USB Full-Speed Timing

Table 21 through Table 26 shows timing specifications for VDD_USB = 3.3V, V_{SS} = 0V, and T_A = 0 to 85°C operating temperature range.

Table 21. USB Full-Speed Timing Specifications

Reference	Characteristics	Minimum	Maximum	Unit
1	Transition rise time	4	20	ns
2	Transition fall time	4	20	ns
3	Rise/fall timing matching	90	111	%
4	Full-speed data rate	12 – 0.25%	12 + 0.25%	Mb/s

Figure 12. USB Full-Speed Timing



9.2.3 UART Timing

Table 22. UART Timing Specifications

Reference	Characteristics	Minimum	Maximum	Unit
1	Delay time, UART_CTS_N low to UART_TXD valid	–	24	Baudout cycles
2	Setup time, UART_CTS_N high before midpoint of stop bit	–	10	ns
3	Delay time, midpoint of stop bit to UART_RTS_N high	–	2	Baudout cycles

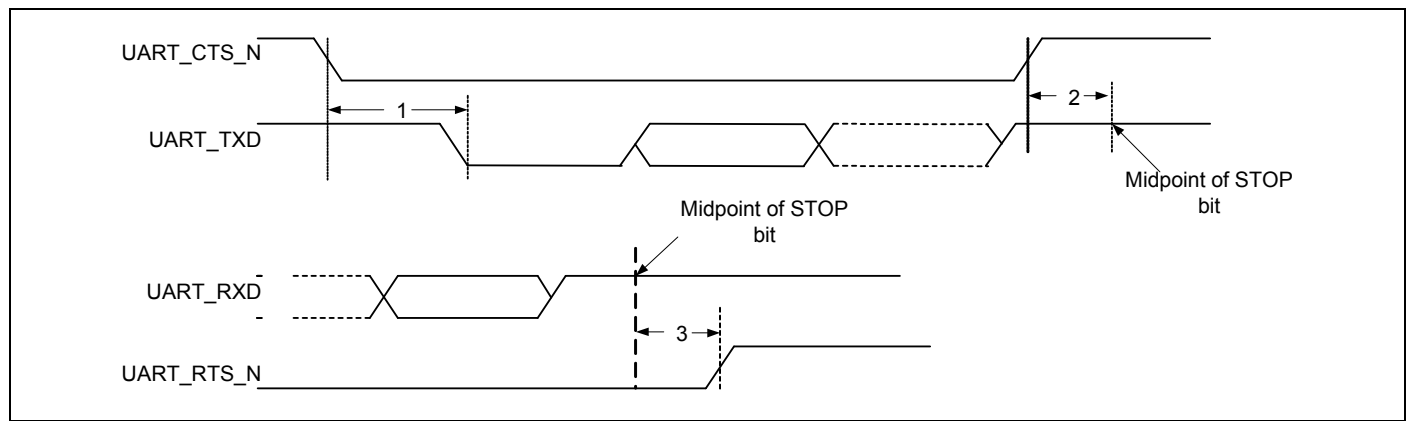


Figure 13. UART Timing

9.2.4 PCM Interface Timing

Table 23. PCM Interface Timing Specifications (Short Frame Synchronization, Master Mode)

Reference	Characteristics	Minimum	Maximum	Unit
1	PCM bit clock frequency	128	2048	kHz
2	PCM bit clock HIGH time	128	–	ns
3	PCM bit clock LOW time	209	–	ns
4	Delay from PCM_BCLK rising edge to PCM_SYNC high	–	50	ns
5	Delay from PCM_BCLK rising edge to PCM_SYNC low	–	50	ns
6	Delay from PCM_BCLK rising edge to data valid on PCM_OUT	–	50	ns
7	Setup time for PCM_IN before PCM_BCLK falling edge	50	–	ns
8	Hold time for PCM_IN after PCM_BCLK falling edge	10	–	ns
9	Delay from falling edge of PCM_BCLK during last bit period to PCM_OUT becoming high impedance	–	50	ns

Figure 14. PCM Interface Timing (Short Frame Synchronization, Master Mode)

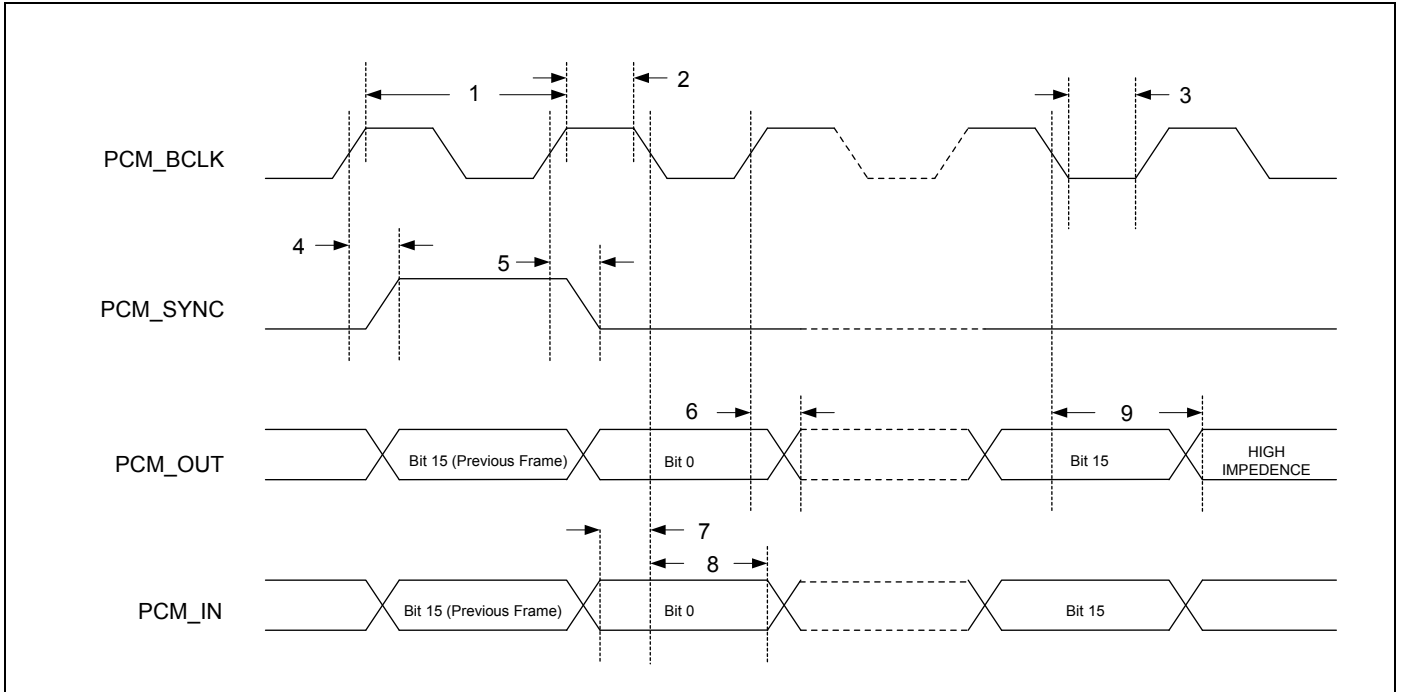


Table 24. PCM Interface Timing Specifications (Short Frame Synchronization, Slave Mode)

Reference	Characteristics	Minimum	Maximum	Unit
1	PCM bit clock frequency	128	2048	kHz
2	PCM bit clock HIGH time	209	–	ns
3	PCM bit clock LOW time	209	–	ns
4	Setup time for PCM_SYNC before falling edge of PCM_BCLK	50	–	ns
5	Hold time for PCM_SYNC after falling edge of PCM_BCLK	10	–	ns
6	Hold time of PCM_OUT after PCM_BCLK falling edge	–	175	ns
7	Setup time for PCM_IN before PCM_BCLK falling edge	50	–	ns
8	Hold time for PCM_IN after PCM_BCLK falling edge	10	–	ns
9	Delay from falling edge of PCM_BCLK during last bit period to PCM_OUT becoming high impedance	–	100	ns

Figure 15. PCM Interface Timing (Short Frame Synchronization, Slave Mode)

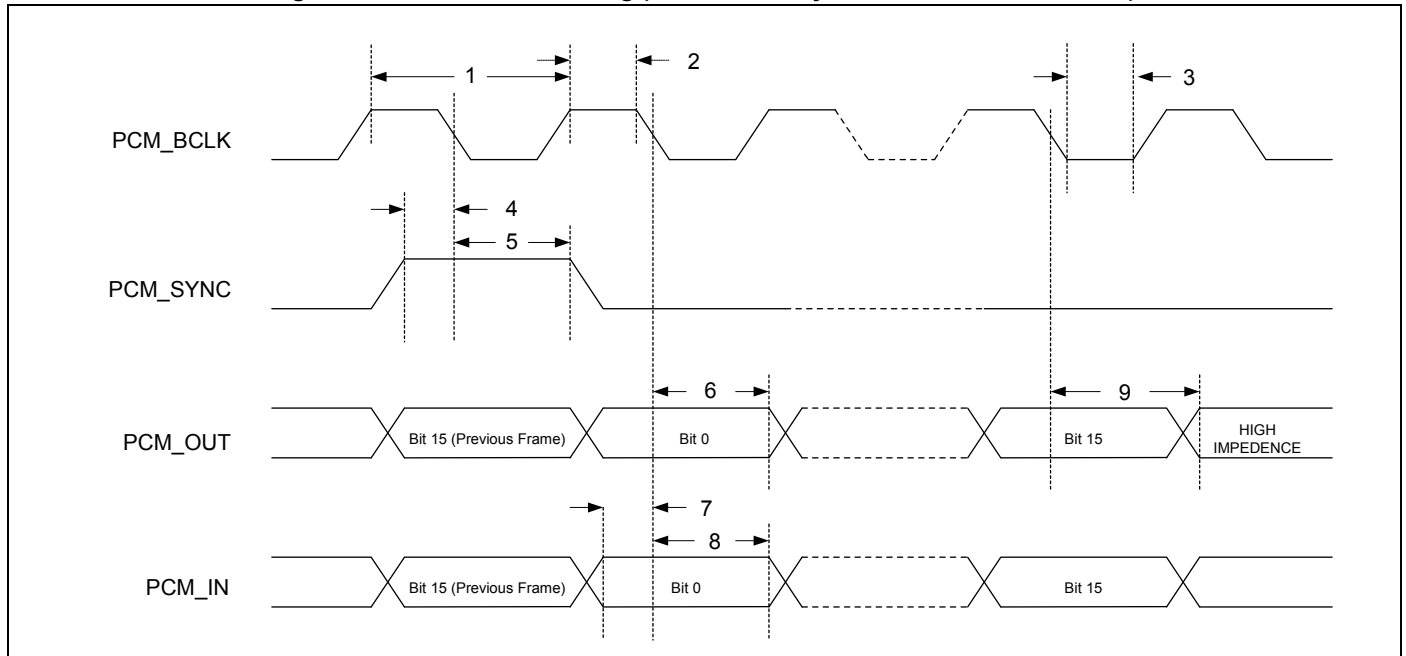


Table 25. PCM Interface Timing Specifications (Long Frame Synchronization, Master Mode)

Reference	Characteristics	Minimum	Maximum	Unit
1	PCM bit clock frequency	128	2048	kHz
2	PCM bit clock HIGH time	209	–	ns
3	PCM bit clock LOW time	209	–	ns
4	Delay from PCM_BCLK rising edge to PCM_SYNC HIGH during first bit time	–	50	ns
5	Delay from PCM_BCLK rising edge to PCM_SYNC LOW during third bit time	–	50	ns
6	Delay from PCM_BCLK rising edge to data valid on PCM_OUT	–	50	ns
7	Setup time for PCM_IN before PCM_BCLK falling edge	50	–	ns
8	Hold time for PCM_IN after PCM_BCLK falling edge	10	–	ns
9	Delay from falling edge of PCM_BCLK during last bit period to PCM_OUT becoming high impedance	–	50	ns

Figure 16. PCM Interface Timing (Long Frame Synchronization, Master Mode)

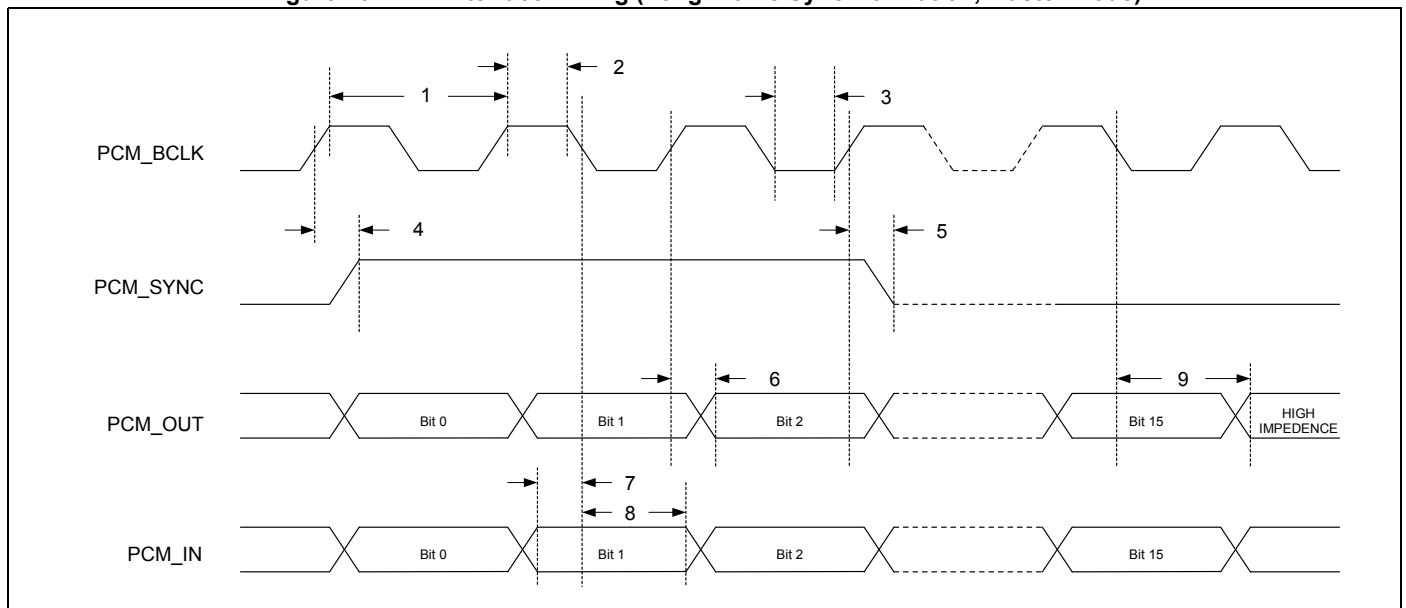
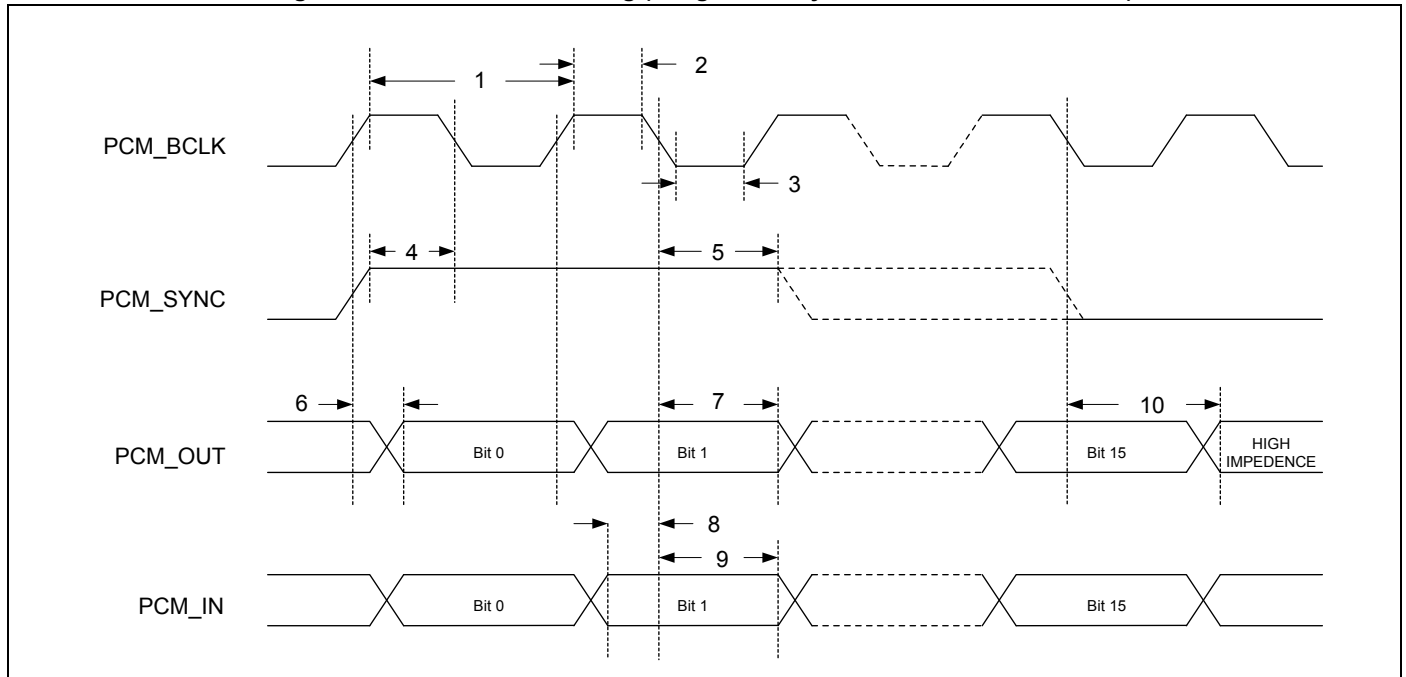


Table 26. PCM Interface Timing Specifications (Long Frame Synchronization, Slave Mode)

Reference	Characteristics	Minimum	Maximum	Unit
1	PCM bit clock frequency.	128	2048	kHz
2	PCM bit clock HIGH time.	209	–	ns
3	PCM bit clock LOW time.	209	–	ns
4	Setup time for PCM_SYNC before falling edge of PCM_BCLK during first bit time.	50	–	ns
5	Hold time for PCM_SYNC after falling edge of PCM_BCLK during second bit period. (PCM_SYNC may go low any time from second bit period to last bit period).	10	–	ns
6	Delay from rising edge of PCM_BCLK or PCM_SYNC (whichever is later) to data valid for first bit on PCM_OUT.	–	50	ns
7	Hold time of PCM_OUT after PCM_BCLK falling edge.	–	175	ns
8	Setup time for PCM_IN before PCM_BCLK falling edge.	50	–	ns
9	Hold time for PCM_IN after PCM_BCLK falling edge.	10	–	ns
10	Delay from falling edge of PCM_BCLK or PCM_SYNC (whichever is later) during last bit in slot to PCM_OUT becoming high impedance.	–	100	ns

Figure 17. PCM Interface Timing (Long Frame Synchronization, Slave Mode)



9.2.5 BSC Interface Timing

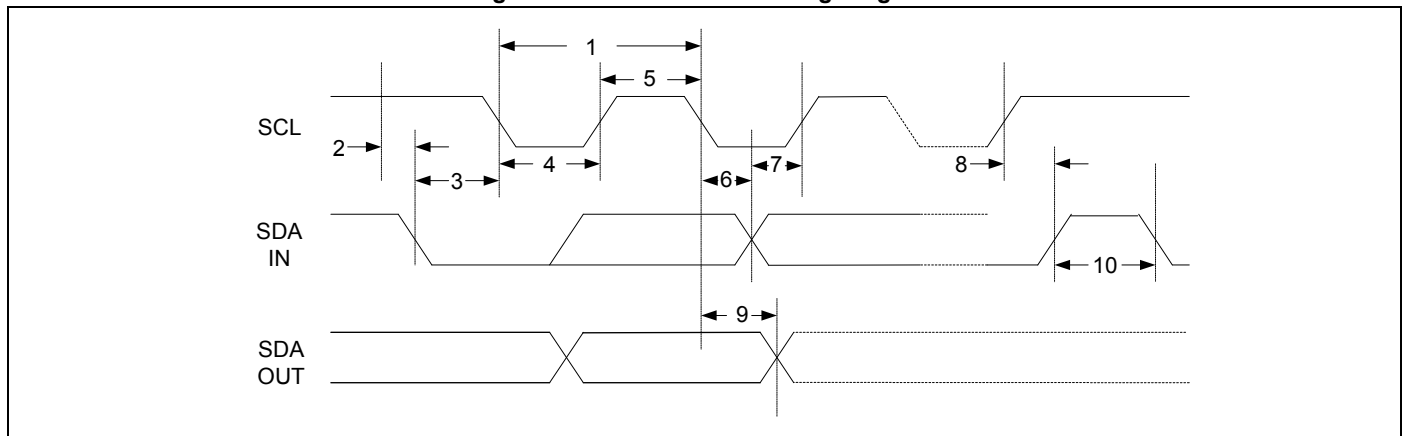
Table 27. BSC Interface Timing Specifications

Reference	Characteristics	Minimum	Maximum	Unit
1	Clock frequency	–	100 400 800 1000	kHz
2	START condition setup time	650	–	ns
3	START condition hold time	280	–	ns
4	Clock low time	650	–	ns
5	Clock high time	280	–	ns
6	Data input hold time ^a	0	–	ns
7	Data input setup time	100	–	ns
8	STOP condition setup time	280	–	ns
9	Output valid from clock	–	400	ns
10	Bus free time ^b	650	–	ns

a. As a transmitter, 300 ns of delay is provided to bridge the undefined region of the falling edge of SCL to avoid unintended generation of START or STOP conditions

b. Time that the cbus must be free before a new transaction can start.

Figure 18. BSC Interface Timing Diagram



9.2.6 SPI Timing

The SPI interface can be clocked up to 12 MHz.

Table 28 and Figure 20 show the timing requirements when operating in SPI Mode 0 and 2.

Table 28. SPI Mode 0 and 2

Reference	Characteristics	Minimum	Maximum	Unit
1	Time from slave assert SPI_INT to master assert SPI_CSN (DirectRead)	0	∞	ns
2	Time from master assert SPI_CSN to slave assert SPI_INT (DirectWrite)	0	∞	ns
3	Time from master assert SPI_CSN to first clock edge	20	∞	ns
4	Setup time for MOSI data lines	8	1/2 SCK	ns
5	Hold time for MOSI data lines	8	1/2 SCK	ns
6	Time from last sample on MOSI/MISO to slave deassert SPI_INT	0	100	ns
7	Time from slave deassert SPI_INT to master deassert SPI_CSN	0	∞	ns
8	Idle time between subsequent SPI transactions	1 SCK	∞	ns

Figure 19. SPI Timing, Mode 0 and 2

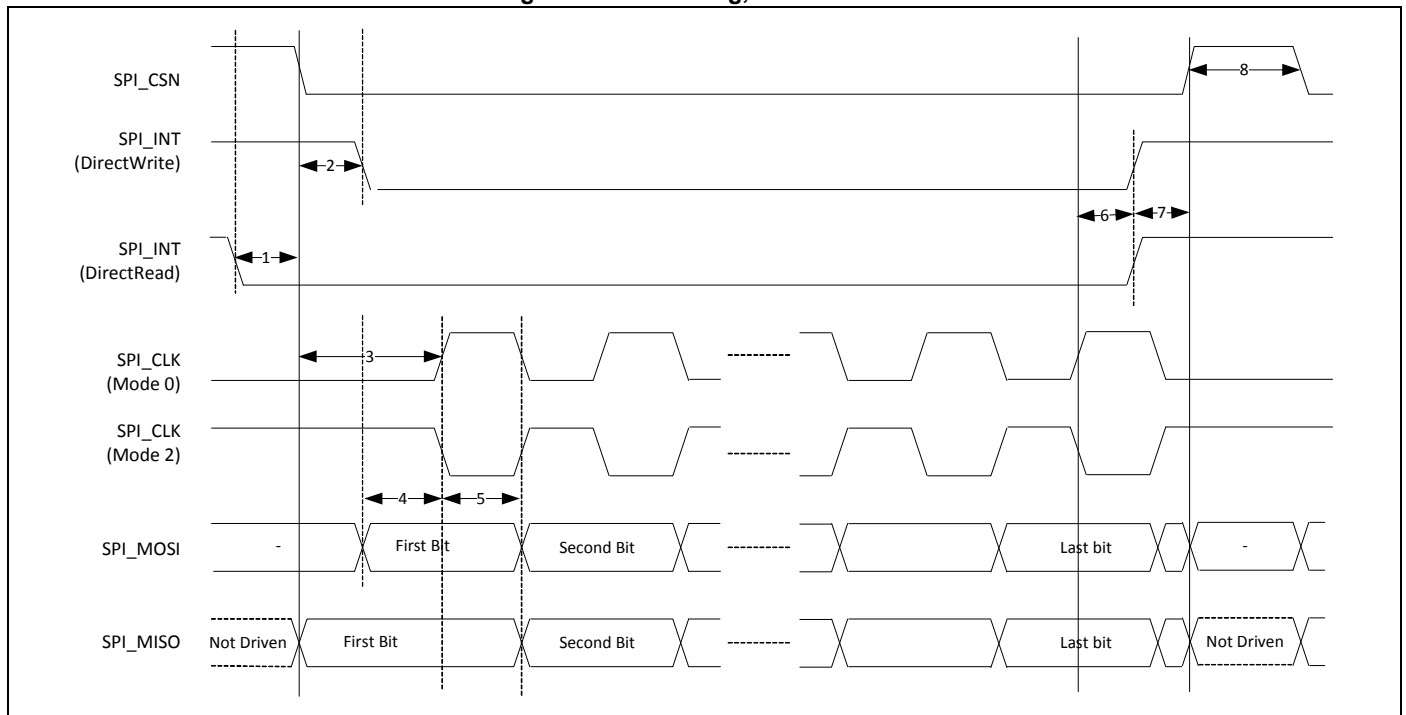
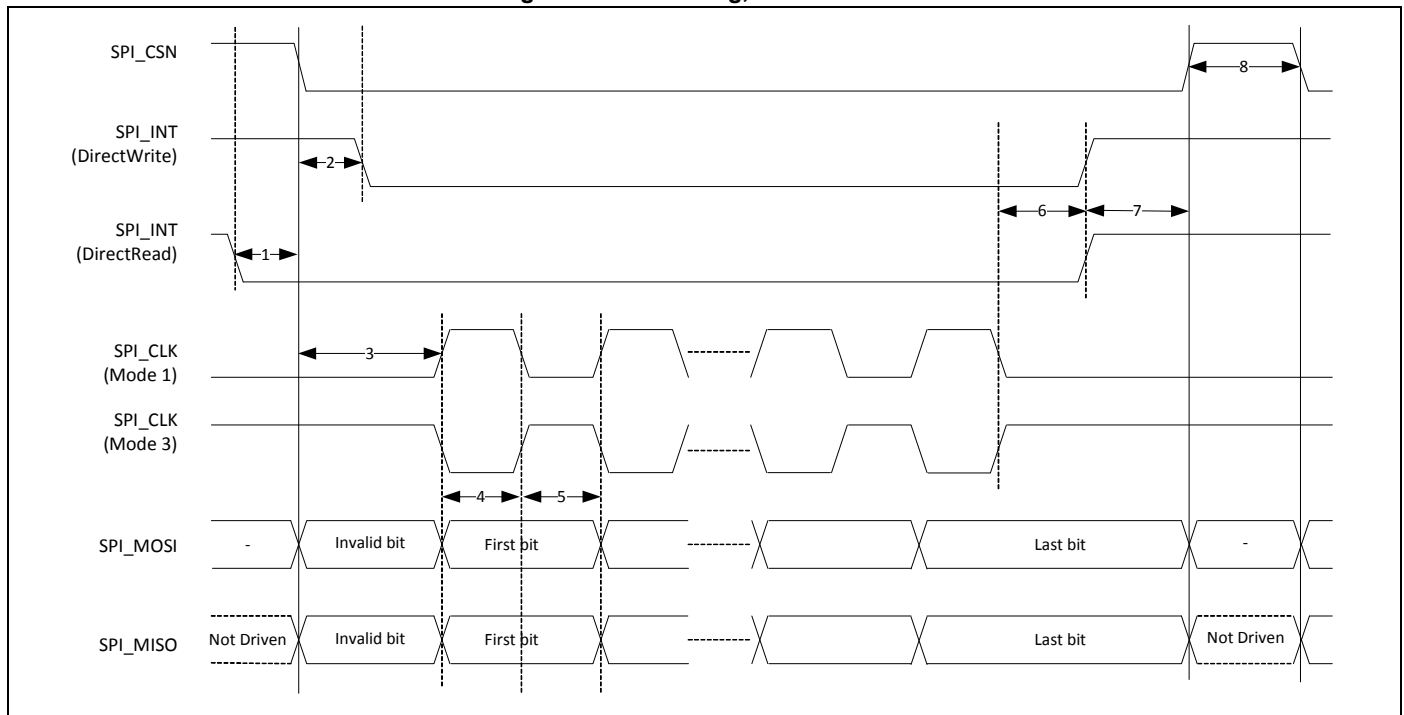


Table 29 and Figure 20 show the timing requirements when operating in SPI Mode 0 and 2.

Table 29. SPI Mode 1 and 3

Reference	Characteristics	Minimum	Maximum	Unit
1	Time from slave assert SPI_INT to master assert SPI_CSN (DirectRead)	0	∞	ns
2	Time from master assert SPI_CSN to slave assert SPI_INT (DirectWrite)	0	∞	ns
3	Time from master assert SPI_CSN to first clock edge	20	∞	ns
4	Setup time for MOSI data lines	8	$\frac{1}{2}$ SCK	ns
5	Hold time for MOSI data lines	8	$\frac{1}{2}$ SCK	ns
6	Time from last sample on MOSI/MISO to slave deassert SPI_INT	0	100	ns
7	Time from slave deassert SPI_INT to master deassert SPI_CSN	0	∞	ns
8	Idle time between subsequent SPI transactions	1 SCK	∞	ns

Figure 20. SPI Timing, Mode 1 and 3



9.3 Electrostatic Discharge

Table 30. Electrostatic Discharge Classification – Human Body Model (ESD – HBM)^a

Title	Description
CLASS 0	< 250V
CLASS 1A	250V to < 500V
CLASS 1B	500V to < 1000V
CLASS 1C	1000V to < 2000V
CLASS 2	2000V to < 4000V
CLASS 3A	4000V to < 8000V
CLASS 3B	≥ 8000V
Procedures (HBM)	For every pin, a positive and negative pulse is applied between (1) the pin and ground, (2) the pin and VCC, and (3) the pin and all other pins tied together.
Test	Electrostatic Discharge (ESD)
Conditions	Human Body Model (HBM) JESD22-A114
Purpose	To establish the ESD sensitivity.
Failure	A failure is any device that fails to meet data sheet electrical requirements after ESD testing.
Pass/Fail	Goal is >1000V on all I/O Pins (HBM)

a. JESD22-A114 is used as reference.

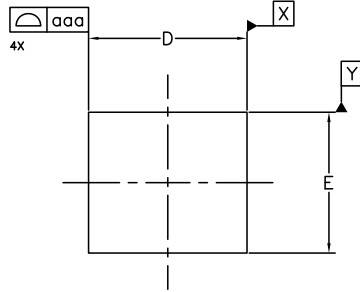
Table 31. Electrostatic Discharge – Machine Model (ESD – MM)^a

Title	Description
CLASS A	≤ 200V
CLASS B	> 200V to ≤ 400V
CLASS C	> 400V
Procedures (MM)	Each sample is stressed at one voltage level using 1 positive and 1 negative pulse with a minimum of 0.5 second between pulses per pin for all pin combinations.
Test	Electrostatic Discharge – Charged-Device Model (ESD - MM)
Conditions	Machine Model (MM) JESD22-A115
Purpose	To establish the ESD sensitivity.
Failure	A failure is any device that fails to meet data sheet electrical requirements after ESD testing.

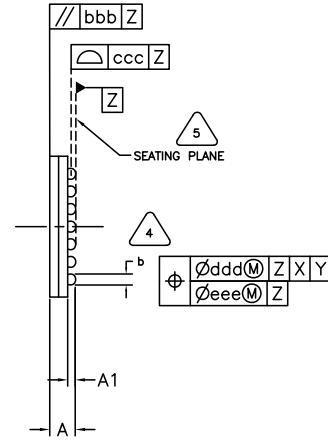
a. JESD22-A115, latest revision, is used as reference.

10. Mechanical Information

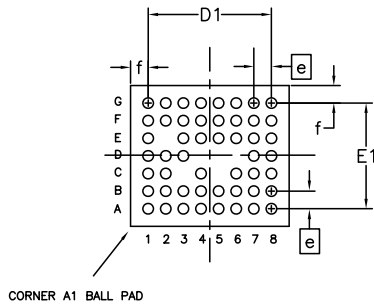
Figure 21. 50-Ball WFBGA Mechanical Drawing



TOP VIEW



SIDE VIEW



BOTTOM VIEW
(50 SOLDER BALLS)

DIMENSIONAL REFERENCES (mm)			
REF.	MIN	NOM	MAX
A	-	-	0.80
A1	0.13	0.16	0.19
D	4.40	4.50	4.60
D1	3.50 BSC		
E	3.90	4.00	4.10
E1	3.00 BSC		
b	0.20	0.25	0.30
e	0.50 BSC		
f	-	0.5	-
aaa	-	-	0.10
bbb	-	-	0.10
ccc	-	-	0.08
ddd	-	-	0.15
eee	-	-	0.05

Filename: MOD-000-0000-000



PRIMARY DATUM Z AND SEATING PLANE ARE DEFINED BY THE SPHERICAL CROWNS OF THE SOLDER BALLS.



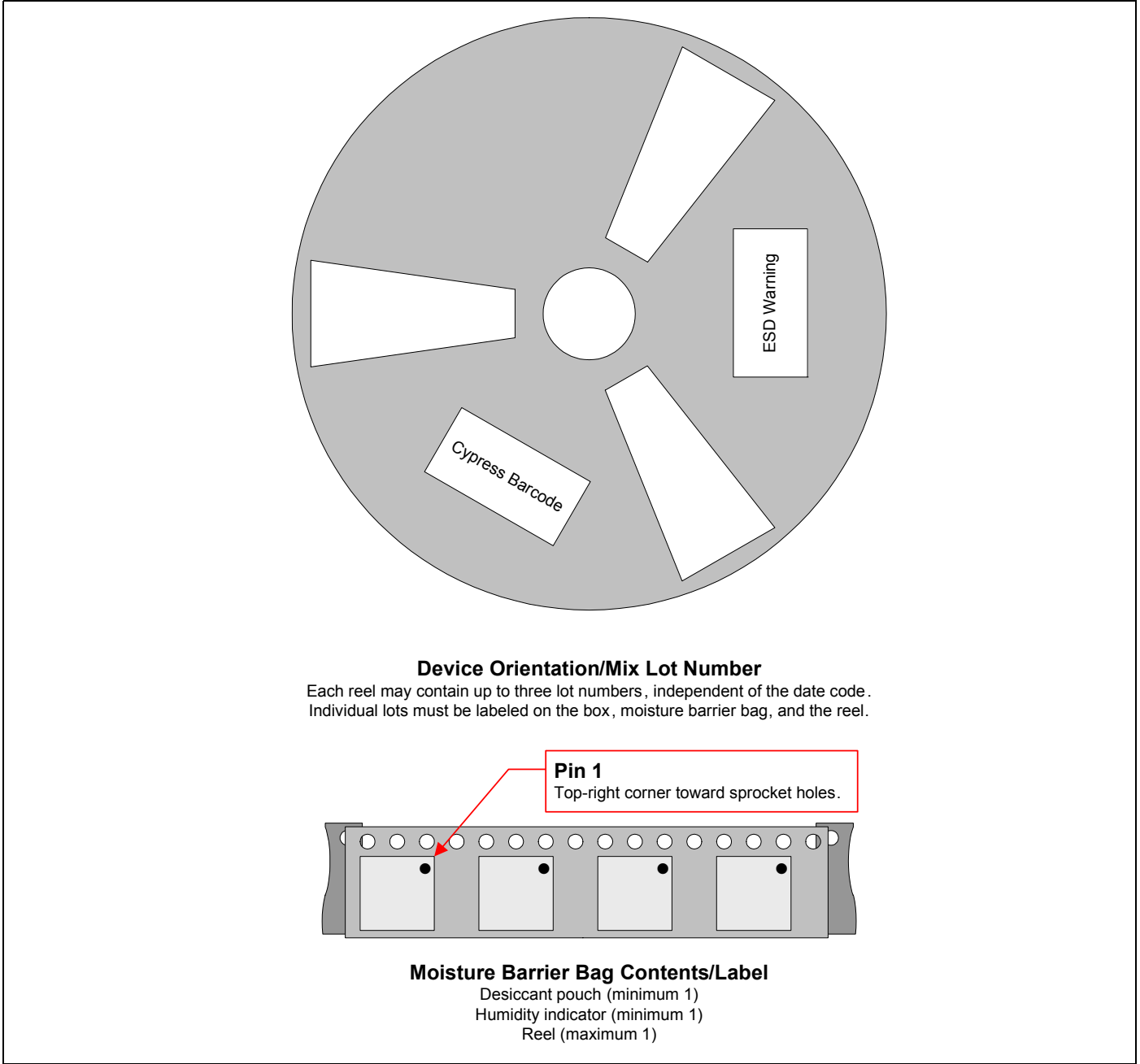
DIMENSION IS MEASURED AT THE MAXIMUM SOLDER BALL DIAMETER, PARALLEL TO PRIMARY DATUM Z.

3. THE BASIC SOLDER BALL GRID PITCH IS 0.50mm
2. THIS PACKAGE CONFORMS TO THE JEDEC REGISTERED OUTLINE MO-207.
1. ALL DIMENSIONS AND TOLERANCES CONFORM TO ASME Y14.5M-1994.

NOTES: UNLESS OTHERWISE SPECIFIED

10.1 Tape, Reel, and Packing Specification

Figure 22. Reel, Labeling, and Packing Specification



11. Ordering Information

The following table lists available part numbers and describes differences in package type, available I/O, and functional configuration. See the referenced figures and tables for mechanical drawings and package I/O information.

All packages are rated from –30°C to +85°C.

Part Number	Package Type
CYW20702A1KWFBG	Commercial 50-ball WFBGA, 4.5 mm x 4.0 mm x 0.8 mm
CYW20702B0KWFBG	Commercial 50-ball WFBGA, 4.5 mm x 4.0 mm x 0.8 mm

Note: See [Figure 21](#).

12. Acronyms and Abbreviations

In most cases, acronyms and abbreviations are defined on first use.

For a comprehensive list of acronyms and other terms used in Cypress documents, go to:

<http://www.cypress.com/glossary>

13. IoT Resources

Cypress provides a wealth of data at <http://www.cypress.com/internet-things-iot> to help you to select the right IoT device for your design, and quickly and effectively integrate the device into your design. Cypress provides customer access to a wide range of information, including technical documentation, schematic diagrams, product bill of materials, PCB layout information, and software updates. Customers can acquire technical documentation and software from the Cypress Support Community website (<http://community.cypress.com/>).

Document History

Document Title: CYW20702 Single-Chip Bluetooth Transceiver and Baseband Processor				
Document Number: 002-14773				
Revision	ECN	Orig. of Change	Submission Date	Description of Change
**	-	-	04/20/2010	20702-DS100-RI Initial release
*A	-	-	06/11/2010	20702-DS101-RI Updated: <ul style="list-style-type: none"> ■ Power Amplifier ■ Programming ■ Package Options and TCXO Mode ■ Frequency Selection ■ Table 6. CYW20702 Signal Description ■ Section 8. Ball Grid Arrays ■ Figure 9. Startup Timing from RST_N ■ Figure 10. Startup Timing from Power-on Reset ■ Section 10. Mechanical Information ■ Section 11. Ordering Information Removed: <ul style="list-style-type: none"> ■ Mobile handsets and smart phones from the chips relevant applications. ■ The 42-bump WLBGA package from the features list. ■ Mobile Phone Usage Model ■ Clock Request Output and TXCO OR Option
*B	-	-	08/16/2010	20702-DS102-RI Updated: <ul style="list-style-type: none"> ■ Table 6. CYW20702 Signal Descriptions ■ Table 8. Absolute Maximum Voltages ■ Table 9. Power Supply ■ Table 11. Main Regulator (Main LDO) Electrical Specifications
*C	-	-	09/13/2010	20702-DS103-R Updated: <ul style="list-style-type: none"> ■ The document number to show that the document is for external use.
*D	-	-	02/23/2011	20702-DS104-R Updated: <ul style="list-style-type: none"> ■ Section 11. Ordering Information
*E	-	-	08/01/2011	20702-DS105-R Updated: <ul style="list-style-type: none"> ■ Simultaneous UART Transport and Bridging
*F	-	-	08/15/2011	20702-DS106-R Added: <ul style="list-style-type: none"> ■ SPI Timing ■ Electrostatic Discharge
*G	-	-	12/02/2011	20702-DS107-R Updated: <ul style="list-style-type: none"> ■ Table 27. SPI Mode 0 and 2
*H	-	-	12/09/2011	20702-DS108-R Updated: <ul style="list-style-type: none"> ■ Table 27. SPI Mode 0 and 2

Document Title: CYW20702 Single-Chip Bluetooth Transceiver and Baseband Processor				
Document Number: 002-14773				
*I	–	UTSV	05/11/2012	20702-DS109-R Updated: <ul style="list-style-type: none"> ■ Added compliance support for Low Energy (LE). ■ Figure 1. System Block Diagram ■ Figure 2. Functional Block Diagram ■ Table 2. Power Control Pin Summary ■ Microprocessor Unit “Overview” ■ Microprocessor ROM and RAM value in “Overview” ■ One-Time Programmable Memory ■ TCXO Clock Request Support ■ LPO Clock Interface ■ Table 7. BCM20702 Signal Descriptions ■ Table 8. Ball-Out for the 50-Ball WFBGA ■ Table 14. Pad I/O Characteristics ■ Table 19. Receiver RF Specifications, ■ Startup Timing ■ Section 11. Ordering Information
*J	–	–	02/25/2013	Updated: <ul style="list-style-type: none"> ■ Host Controller Power Management ■ HCI 3-Wire Transport (UART H5)
*K	–	–	03/04/2014	Updated: <ul style="list-style-type: none"> ■ SPI ■ Table 7. BCM20702 Signal Descriptions ■ Table 13. Digital I/O Characteristics
*L	5520447	UTSV	11/23/2016	Updated to Cypress Template. Added Cypress Part Numbering Scheme.

Sales, Solutions, and Legal Information

Worldwide Sales and Design Support

Cypress maintains a worldwide network of offices, solution centers, manufacturer's representatives, and distributors. To find the office closest to you, visit us at [Cypress Locations](#).

Products

ARM® Cortex® Microcontrollers	cypress.com/arm
Automotive	cypress.com/automotive
Clocks & Buffers	cypress.com/clocks
Interface	cypress.com/interface
Internet of Things	cypress.com/iot
Lighting & Power Control	cypress.com/powerpsoc
Memory	cypress.com/memory
PSoC	cypress.com/psoc
Touch Sensing	cypress.com/touch
USB Controllers	cypress.com/usb
Wireless/RF	cypress.com/wireless

PSoC® Solutions

[PSoC 1](#) | [PSoC 3](#) | [PSoC 4](#) | [PSoC 5LP](#)

Cypress Developer Community

[Forums](#) | [WICED IoT Forums](#) | [Projects](#) | [Video](#) | [Blogs](#) | [Training](#) | [Components](#)

Technical Support

cypress.com/support

© Cypress Semiconductor Corporation, 2010-2016. This document is the property of Cypress Semiconductor Corporation and its subsidiaries, including Spansion LLC ("Cypress"). This document, including any software or firmware included or referenced in this document ("Software"), is owned by Cypress under the intellectual property laws and treaties of the United States and other countries worldwide. Cypress reserves all rights under such laws and treaties and does not, except as specifically stated in this paragraph, grant any license under its patents, copyrights, trademarks, or other intellectual property rights. If the Software is not accompanied by a license agreement and you do not otherwise have a written agreement with Cypress governing the use of the Software, then Cypress hereby grants you a personal, non-exclusive, nontransferable license (without the right to sublicense) (1) under its copyright rights in the Software (a) for Software provided in source code form, to modify and reproduce the Software solely for use with Cypress hardware products, only internally within your organization, and (b) to distribute the Software in binary code form externally to end users (either directly or indirectly through resellers and distributors), solely for use on Cypress hardware product units, and (2) under those claims of Cypress's patents that are infringed by the Software (as provided by Cypress, unmodified) to make, use, distribute, and import the Software solely for use with Cypress hardware products. Any other use, reproduction, modification, translation, or compilation of the Software is prohibited.

TO THE EXTENT PERMITTED BY APPLICABLE LAW, CYPRESS MAKES NO WARRANTY OF ANY KIND, EXPRESS OR IMPLIED, WITH REGARD TO THIS DOCUMENT OR ANY SOFTWARE OR ACCOMPANYING HARDWARE, INCLUDING, BUT NOT LIMITED TO, THE IMPLIED WARRANTIES OF MERCHANTABILITY AND FITNESS FOR A PARTICULAR PURPOSE. To the extent permitted by applicable law, Cypress reserves the right to make changes to this document without further notice. Cypress does not assume any liability arising out of the application or use of any product or circuit described in this document. Any information provided in this document, including any sample design information or programming code, is provided only for reference purposes. It is the responsibility of the user of this document to properly design, program, and test the functionality and safety of any application made of this information and any resulting product. Cypress products are not designed, intended, or authorized for use as critical components in systems designed or intended for the operation of weapons, weapons systems, nuclear installations, life-support devices or systems, other medical devices or systems (including resuscitation equipment and surgical implants), pollution control or hazardous substances management, or other uses where the failure of the device or system could cause personal injury, death, or property damage ("Unintended Uses"). A critical component is any component of a device or system whose failure to perform can be reasonably expected to cause the failure of the device or system, or to affect its safety or effectiveness. Cypress is not liable, in whole or in part, and you shall and hereby do release Cypress from any claim, damage, or other liability arising from or related to all Unintended Uses of Cypress products. You shall indemnify and hold Cypress harmless from and against all claims, costs, damages, and other liabilities, including claims for personal injury or death, arising from or related to any Unintended Uses of Cypress products.

Cypress, the Cypress logo, Spansion, the Spansion logo, and combinations thereof, WICED, PSoC, CapSense, EZ-USB, F-RAM, and Traveo are trademarks or registered trademarks of Cypress in the United States and other countries. For a more complete list of Cypress trademarks, visit cypress.com. Other names and brands may be claimed as property of their respective owners.

X-ON Electronics

Largest Supplier of Electrical and Electronic Components

Click to view similar products for [RF Microcontrollers - MCU category](#):

Click to view products by [Cypress manufacturer](#):

Other Similar products are found below :

[BCM20704UA1KFFB1G](#) [BCM20733A3KFB1G](#) [BCM20705B0KWFBG](#) [BCM20706UA1KFFB1G](#) [BCM20706UA1KFFB4G](#)
[BCM20734UA1KFFB3G](#) [BCM20736A1KML2G](#) [CYBL11172-56LQXI](#) [RY7011A0000DZ00#002](#) [CYW20732I](#) [CYW20748A0KFBGT](#)
[CYW20732E](#) [CYW20702B0KWFBG](#) [BCM20730A1KMLG](#) [CC1310F32RGZR](#) [CC1310F32RSMR](#) [ATMEGA64RFR2-ZF](#)
[BCM20735PKML1G](#) [JN5168/001,515](#) [STA2058](#) [CC1310F128RHBR](#) [ADUCRF101BCPZ128R7](#) [ADUCRF101BCPZ128](#)
[ATMEGA1284RFR2-ZU](#) [ATMEGA128RFA1-ZU](#) [ATMEGA128RFR2-ZU](#) [ATMEGA64RZAV-10MU](#) [CY8C4127LQI-BL483](#)
[ATMEGA1280R231-CU](#) [ATSAMR21E16A-MU](#) [PIC12LF1840T39A-I/ST](#) [ATMEGA64RFR2-ZUR](#) [ATMEGA128RFA1-ZUR](#)
[RFPIC12F675H-I/SS](#) [JN5169001Z](#) [CYBL11171-56LQXI](#) [CYBL11573-56LQXI](#) [CYBL10161-56LQXI](#) [EZR32LG230F64R63G-C0](#)
[ATSAMR21E18A-MU](#) [SI4010-C2-GSR](#) [EZR32WG330F256R69G-B0](#) [EZR32WG230F128R55G-B0](#) [EZR32WG230F256R55G-B0](#)
[EZR32WG330F64R55G-B0](#) [Si1063-A-GM](#) [Si1081-A-GM](#) [Si1082-A-GM](#) [Si1084-A-GM](#) [Si1085-A-GM](#)