



The following document contains information on Cypress products. The document has the series name, product name, and ordering part numbering with the prefix “MB”. However, Cypress will offer these products to new and existing customers with the series name, product name, and ordering part number with the prefix “CY”.

How to Check the Ordering Part Number

1. Go to www.cypress.com/pcn.
2. Enter the keyword (for example, ordering part number) in the **SEARCH PCNS** field and click **Apply**.
3. Click the corresponding title from the search results.
4. Download the Affected Parts List file, which has details of all changes

For More Information

Please contact your local sales office for additional information about Cypress products and solutions.

About Cypress

Cypress is the leader in advanced embedded system solutions for the world's most innovative automotive, industrial, smart home appliances, consumer electronics and medical products. Cypress' microcontrollers, analog ICs, wireless and USB-based connectivity solutions and reliable, high-performance memories help engineers design differentiated products and get them to market first. Cypress is committed to providing customers with the best support and development resources on the planet enabling them to disrupt markets by creating new product categories in record time. To learn more, go to www.cypress.com.



FR60 MB91460G Series, 32-bit Microcontroller Datasheet

MB91460G series is a line of general-purpose 32-bit RISC microcontrollers designed for embedded control applications which require high-speed real-time processing, such as consumer devices and on-board vehicle systems. This series uses the FR60 CPU, which is compatible with the FR family of CPUs.

This series contains the LIN-USART and CAN controllers.

Features

FR60 CPU core

- 32-bit RISC, load/store architecture, five-stage pipeline
- 16-bit fixed-length instructions (basic instructions)
- Instruction execution speed: 1 instruction per cycle
- Instructions including memory-to-memory transfer, bit manipulation, and barrel shift instructions: Instructions suitable for embedded applications
- Function entry/exit instructions and register data multi-load store instructions: Instructions supporting C language
- Register interlock function: Facilitating assembly-language coding
- Built-in multiplier with instruction-level support
 - Signed 32-bit multiplication: 5 cycles
 - Signed 16-bit multiplication: 3 cycles
- Interrupts (save PC/PS): 6 cycles (16 priority levels)
- Harvard architecture enabling program access and data access to be performed simultaneously
- Instructions compatible with the FR family

Internal Peripheral Resources

- General-purpose ports : Maximum 205 ports
- DMAC (DMA Controller)
 - Maximum of 5 channels able to operate simultaneously (including 2 external channels)
 - 3 transfer sources (external pin/internal peripheral/software)
 - Activation source can be selected using software
 - Addressing mode specifies full 32-bit addresses (increment/decrement/fixe)
 - Transfer mode (demand transfer/burst transfer/step transfer/block transfer)
 - Fly-by transfer support (between external I/O and memory)
 - Transfer data size selectable from 8/16/32-bit
 - Multi-byte transfer enabled (by software)
 - DMAC descriptor in I/O areas (200_H to 240_H, 1000_H to 1024_H)
- A/D converter (successive approximation type)
 - 10-bit resolution: 32 channels
 - Conversion time: minimum 1 μ s
- External interrupt inputs : 16 channels
 - 12 channels shared with CAN RX, I²C SDA or I²C SCL pins
- Bit search module (for REALOS)
 - Function to search from the MSB (most significant bit) for the position of the first "0", "1", or changed bit in a word
- LIN-USART (full duplex double buffer): 8 channels, 4 channels with FIFO
 - Clock synchronous/asynchronous selectable
 - Sync-break detection
 - Internal dedicated baud rate generator
- I²C bus interface (supports 400 kbps): 4 channel
 - Master/slave transmission and reception
 - Arbitration function, clock synchronization function
- CAN controller (C-CAN): 6 channels
 - Maximum transfer speed: 1 Mbps
 - 128 transmission/reception message buffers
- Sound generator: 1 channel
 - Tone frequency: PWM frequency divide-by-two (reload value + 1)
- Alarm comparator: 2 channels
 - Monitor external voltage
 - Generate an interrupt in case of voltage lower/higher than the defined thresholds (reference voltage)
- 16-bit PPG timer: 16 channels
- 16-bit PFM timer: 1 channel
- 16-bit reload timer: 8 channels
- 16-bit free-run timer: 8 channels (1 channel each for ICU and OCU)
- Input capture: 8 channels (operates in conjunction with the free-run timer)
- Output compare: 8 channels (operates in conjunction with the free-run timer)
- Up/Down counter: 4 channels (4*8-bit or 2*16-bit)
- Watchdog timer
- Real-time clock
- Low-power consumption modes: Sleep/stop mode function
- Low voltage detection circuit

- **Clock supervisor**
Monitors the sub-clock (32 kHz) and the main clock (4 MHz) , and switches to a recovery clock (CR oscillator, etc.) when the oscillations stop.
 - **Clock modulator**
 - **Clock monitor**
 - **Sub-clock calibration**
Corrects the real-time clock timer when operating with the 32 kHz or CR oscillator
 - **Main oscillator stabilization timer**
Generates an interrupt in sub-clock mode after the stabilization wait time has elapsed on the 23-bit stabilization wait time counter
 - **Sub-oscillator stabilization timer**
Generates an interrupt in main clock mode after the stabilization wait time has elapsed on the 15-bit stabilization wait time counter
- Package and Technology**
- **Package:** 320-pin plastic BGA (BGA-320)
 - **CMOS** 0.18 μm technology
 - **Power supply range** 3 V to 5 V (1.8 V internal logic provided by a step-down voltage converter)
 - **Operating temperature range:** between -40°C and $+125^{\circ}\text{C}$

Contents

1. Product Lineup	4	15.3 DC Characteristics.....	99
2. Pin Assignment	6	15.4 A/D Converter Characteristics.....	102
2.1 MB91F469Gx.....	6	15.5 Alarm Comparator Characteristics.....	106
3. Pin Description	7	15.6 Flash Memory Program/Erase Characteristics.....	107
3.1 MB91F469Gx.....	7	15.7 AC Characteristics.....	107
3.2 Power Supply/Ground Pins.....	21	16. Ordering Information	141
4. I/O Circuit Types	22	17. Package Dimension	142
5. Handling Devices	29	18. Revision History	143
5.1 Preventing Latch-up.....	29	19. Main Changes in this Edition	144
5.2 Handling of Unused Input Pins.....	29	Document History	145
5.3 Power Supply Pins.....	29		
5.4 Crystal Oscillator Circuit.....	29		
5.5 Notes on using External Clock.....	29		
5.6 Mode pins (MD_x).....	30		
5.7 Notes on operating in PLL clock mode.....	30		
5.8 Pull-up control.....	30		
5.9 Notes on PS register.....	30		
6. Notes on Debugger	31		
6.1 Execution of the RETI Command.....	31		
6.2 Break function.....	31		
6.3 Operand break.....	31		
7. Block Diagram	32		
7.1 MB91F469Gx.....	32		
8. CPU and Control Unit	33		
8.1 Features.....	33		
8.2 Internal Architecture.....	33		
8.3 Programming Model.....	34		
8.4 Registers.....	35		
9. Embedded Program/Data Memory (Flash)	38		
9.1 Flash features.....	38		
9.2 Operation modes.....	38		
9.3 Flash Access in CPU Mode.....	39		
9.4 Parallel Flash Programming Mode.....	42		
9.5 Power on Sequence in Parallel Programming Mode ...	44		
9.6 Flash Security.....	45		
10. Memory Space	48		
11. Memory Maps	49		
11.1 MB91F469Gx.....	49		
12. I/O Map	50		
12.1 MB91F469Gx.....	50		
12.2 Flash Memory and External Bus Area.....	81		
13. Interrupt Vector Table	83		
14. Recommended Settings	88		
14.1 PLL and Clock Gear Settings.....	88		
14.2 Clock Modulator Settings.....	89		
15. Electrical Characteristics	95		
15.1 Absolute maximum ratings.....	95		
15.2 Recommended Operating Conditions.....	98		

1. Product Lineup

Feature	MB91V460A (Evaluation device)	MB91F469Gx
Max. core frequency (CLKB)	80MHz	100MHz at 1.9V main regulator output voltage ^[1] 88MHz at 1.8V main regulator output voltage
Max. resource frequency (CLKP)	40MHz	50MHz
Max. external bus freq. (CLKT)	40MHz	50MHz
Max. CAN frequency (CLKCAN)	20MHz	50MHz
Max. FlexRay frequency (SCLK)		
Technology	0.35μm	0.18μm
Flash memory	Emulation SRAM 32bit read data	2112 KByte
Satellite Flash memory	no	no
Flash Protection	no	yes
Flash CRC calculation	no	yes
D-RAM	64 KByte	64 KByte
ID-RAM	64 KByte	32 KByte
Flash-cache (F-cache)	16 KByte	16 KBytes
External bus cache (I-cache)	4 KBytes	4 KBytes
Boot-ROM / BI-ROM	4 KByte fixed	4 KByte
MMU/MPU	MPU (16 ch) ^[1]	MPU (8 ch) ^[2]
DMA	5 ch	5 ch
MAC (μDSP)	no	no
Watchdog timer	yes	yes
Watchdog timer (RC osc. based)	yes (disengageable)	yes
Bit Search	yes	yes
RTC	1 ch	1 ch
Free Running Timer	8 ch	8 ch
ICU	8 ch	8 ch
OCU	8 ch	8 ch
Reload Timer	8 ch	8 ch
PPG 16-bit	16 ch	16 ch
PFM 16-bit	1 ch	1 ch
Sound Generator	1 ch	1 ch
Up/Down Counter (8/16-bit)	4 ch (8-bit) / 2 ch (16-bit)	4 ch (8-bit) / 2 ch (16-bit)
SMC	6 ch	-
LCD controller (40x4)	1ch	-

Feature	MB91V460A (Evaluation device)	MB91F469Gx
C_CAN	6 ch (128msg)	6 ch (128msg)
LIN-USART	4 ch + 4 ch FIFO + 8 ch	4 ch + 4 ch FIFO
I ² C (400k)	4 ch	4 ch
FR external bus	yes (32bit addr, 32bit data, 8 chip selects)	yes (28bit addr, 32bit data, 8 chip selects)
External Interrupts	16 ch	16 ch
NMI Interrupts	1 ch	
General IO ports	288	205
ADC (10 bit)	32 ch	32 ch
Alarm Comparator	2 ch	2 ch
Reset input (INITX)	yes	yes
Hardware Standby Input (HSTX)	yes	no
Clock Modulator	yes	yes
Low power mode	yes	yes
Supply Supervisor (low voltage detection)	yes	yes
Clock Supervisor	yes	yes
Main clock oscillator	4MHz	4MHz
Sub clock oscillator	32kHz	32kHz
RC Oscillator	100kHz	100kHz / 2MHz
PLL	x 20	x 25
DSU4	yes	no
EDSU	yes (32 BP) ^[2]	yes (16 BP) ^[2]
JTAG Boundary Scan	no	yes
Supply Voltage	3V / 5V	3V / 5V
Regulator	yes	yes
Power Consumption	n.a.	< 2 W
Temperature Range (Ta)	0..70 C	-40..125 C
Package	BGA660	BGA-320
Power on to PLL run	< 20 ms	< 20 ms
Flash Download Time	n.a.	< 8 sec typical

1. In order to enter this mode please set REGSEL_FLASHSEL=1 and REGSEL_MAINSEL=1
2. MPU channels use EDSU breakpoint registers (shared operation between MPU and EDSU).

2. Pin Assignment

2.1 MB91F469Gx

(TOP VIEW)

▲	1	2	3	4	5	6	7	8	9	10	11	12	13	14	15	16	17	18	19	20	
A	1	76	75	74	73	72	71	70	69	68	67	66	65	64	63	62	61	60	59	58	A
B	2	77	144	143	142	141	140	139	138	137	136	135	134	133	132	131	130	129	128	57	B
C	3	78	145	204	203	202	201	200	199	198	197	196	195	194	193	192	191	190	127	56	C
D	4	79	146	205	256	255	254	253	252	251	250	249	248	247	246	245	244	189	126	55	D
E	5	80	147	206													243	188	125	54	E
F	6	81	148	207													242	187	124	53	F
G	7	82	149	208			257	284	283	282	281	280	279	278			241	186	123	52	G
H	8	83	150	209			258	285	304	303	302	301	300	277			240	185	122	51	H
J	9	84	151	210			259	286	305	316	315	314	299	276			239	184	121	50	J
K	10	85	152	211			260	287	306	317	320	313	298	275			238	183	120	49	K
L	11	86	153	212			261	288	307	318	319	312	297	274			237	182	119	48	L
M	12	87	154	213			262	289	308	309	310	311	296	273			236	181	118	47	M
N	13	88	155	214			263	290	291	292	293	294	295	272			235	180	117	46	N
P	14	89	156	215			264	265	266	267	268	269	270	271			234	179	116	45	P
R	15	90	157	216													233	178	115	44	R
T	16	91	158	217													232	177	114	43	T
U	17	92	159	218	219	220	221	222	223	224	225	226	227	228	229	230	231	176	113	42	U
V	18	93	160	161	162	163	164	165	166	167	168	169	170	171	172	173	174	175	112	41	V
W	19	94	95	96	97	98	99	100	101	102	103	104	105	106	107	108	109	110	111	40	W
Y	20	21	22	23	24	25	26	27	28	29	30	31	32	33	34	35	36	37	38	39	Y
	1	2	3	4	5	6	7	8	9	10	11	12	13	14	15	16	17	18	19	20	

BGA-320P-M06

3. Pin Description

3.1 MB91F469Gx

JEDEC	Pin no.	Pin name	I/O	I/O circuit type ^[1]	Description
B1	2	P24_1	I/O	A	General-purpose input/output port
		INT1			External interrupt input pin
C1	3	P13_0	I/O	A	General-purpose input/output port
		DREQ0			DMA external transfer request input
D1	4	P13_1	I/O	A	General-purpose input/output port
		DACKX0			DMA external transfer acknowledge output pin
E1	5	P13_3	I/O	A	General-purpose input/output port
		DEOP0			DMA external transfer EOP (End of Process) output pin
F1	6	P13_6	I/O	A	General-purpose input/output port
		DEOTX1			DMA external transfer EOT (End of Track) output pin
		DEOP1			DMA external transfer EOP (End of Process) output pin
G1	7	P11_1	I/O	A	General-purpose input/output port
		IOWRX			DMA memory to I/O fly-by transfer output pin
H1	8	P09_3	I/O	A	General-purpose input/output port
		CSX3			Chip select output pin
J1	9	P09_6	I/O	A	General-purpose input/output port
		CSX6			Chip select output pin
K1	10	P08_2	I/O	A	General-purpose input/output port
		WRX2			External write strobe output pin
L1	11	P08_5	I/O	A	General-purpose input/output port
		BGRNTX			External bus release reception output pin
M1	12	P07_1	I/O	A	General-purpose input/output port
		A1			Signal pin of external address bus (bit1)
N1	13	P07_5	I/O	A	General-purpose input/output port
		A5			Signal pin of external address bus (bit5)
P1	14	P06_0	I/O	A	General-purpose input/output port
		A8			Signal pin of external address bus (bit8)
R1	15	P06_4	I/O	A	General-purpose input/output port
		A12			Signal pin of external address bus (bit12)
T1	16	P06_7	I/O	A	General-purpose input/output port
		A15			Signal pin of external address bus (bit15)
U1	17	P05_3	I/O	A	General-purpose input/output port
		A19			Signal pin of external address bus (bit19)

JEDEC	Pin no.	Pin name	I/O	I/O circuit type ^[1]	Description
V1	18	P05_6	I/O	A	General-purpose input/output port
		A22			Signal pin of external address bus (bit22)
W1	19	P04_1	I/O	A	General-purpose input/output port
		A25			Signal pin of external address bus (bit25)
Y2	21	P04_3	I/O	A	General-purpose input/output port
		A27			Signal pin of external address bus (bit27)
Y3	22	P03_1	I/O	A	General-purpose input/output port
		D1			Signal pin of external data bus (bit1)
Y4	23	P03_4	I/O	A	General-purpose input/output port
		D4			Signal pin of external data bus (bit4)
Y5	24	P02_0	I/O	A	General-purpose input/output port
		D8			Signal pin of external data bus (bit8)
Y6	25	P02_3	I/O	A	General-purpose input/output port
		D11			Signal pin of external data bus (bit11)
Y7	26	P02_7	I/O	A	General-purpose input/output port
		D15			Signal pin of external data bus (bit15)
Y8	27	P01_2	I/O	A	General-purpose input/output port
		D18			Signal pin of external data bus (bit18)
Y9	28	P01_6	I/O	A	General-purpose input/output port
		D22			Signal pin of external data bus (bit22)
Y10	29	P00_1	I/O	A	General-purpose input/output port
		D25			Signal pin of external data bus (bit25)
Y11	30	P00_5	I/O	A	General-purpose input/output port
		D29			Signal pin of external data bus (bit29)
Y12	31	P00_6	I/O	A	General-purpose input/output port
		D30			Signal pin of external data bus (bit30)
Y13	32	P00_7	I/O	A	General-purpose input/output port
		D31			Signal pin of external data bus (bit31)
Y14	33	P10_4	I/O	A	General-purpose input/output port
		MCLKO			Clock output pin for memory
Y16	35	MONCLK	O	M	Clock monitor pin
W20	40	P21_0	I/O	A	General-purpose input/output port
		SIN0			Data input pin of USART0

JEDEC	Pin no.	Pin name	I/O	I/O circuit type ^[1]	Description
V20	41	P21_4	I/O	A	General-purpose input/output port
		SIN1			Data input pin of USART1
U20	42	P20_0	I/O	A	General-purpose input/output port
		SIN2			Data input pin of USART2
		AIN0			Up/down counter input pin
T20	43	P20_4	I/O	A	General-purpose input/output port
		SIN3			Data input pin of USART3
		AIN1			Up/down counter input pin
R20	44	P19_0	I/O	A	General-purpose input/output port
		SIN4			Data input pin of USART4
P20	45	P19_2	I/O	A	General-purpose input/output port
		SCK4			Clock input/output pin of USART4
		CK4			External clock input pin of free-run timer 4
N20	46	X1	--	J1	Clock (oscillation) output
M20	47	P18_2	I/O	A	General-purpose input/output port
		SCK6			Clock input/output pin of USART6
		ZIN2			Up/down counter input pin
		CK6			External clock input pin of free-run timer 6
L20	48	P18_6	I/O	A	General-purpose input/output port
		SCK7			Clock input/output pin of USART7
		ZIN3			Up/down counter input pin
		CK7			External clock input pin of free-run timer 7
K20	49	P17_2	I/O	A	General-purpose input/output port
		PPG2			PPG timer output pins
J20	50	P17_6	I/O	A	General-purpose input/output port
		PPG6			PPG timer output pins
H20	51	P23_2	I/O	A	General-purpose input/output port
		RX1			RX input pin of CAN1
		INT9			External interrupt input pin
G20	52	P23_5	I/O	A	General-purpose input/output port
		TX2			TX output pin of CAN2
F20	53	P23_7	I/O	A	General-purpose input/output port
		TX3			TX output pin of CAN3

JEDEC	Pin no.	Pin name	I/O	I/O circuit type ^[1]	Description
E20	54	P29_4	I/O	B	General-purpose input/output port
		AN4			Analog input pin of A/D converter
D20	55	P28_0	I/O	B	General-purpose input/output port
		AN8			Analog input pin of A/D converter
C20	56	P28_3	I/O	B	General-purpose input/output port
		AN11			Analog input pin of A/D converter
B20	57	P28_5	I/O	B	General-purpose input/output port
		AN13			Analog input pin of A/D converter
A19	59	P28_7	I/O	B	General-purpose input/output port
		AN15			Analog input pin of A/D converter
A17	61	P27_2	I/O	B	General-purpose input/output port
		AN18			Analog input pin of A/D converter
A14	64	P26_0	I/O	B	General-purpose input/output port
		AN24			Analog input pin of A/D converter
A13	65	P22_0	I/O	A	General-purpose input/output port
		RX4			RX input pin of CAN4
		INT12			External interrupt input pin
A12	66	P22_1	I/O	A	General-purpose input/output port
		TX4			TX output pin of CAN4
A11	67	P22_3	I/O	A	General-purpose input/output port
		TX5			TX output pin of CAN5
A10	68	P22_6	I/O	C	General-purpose input/output port
		SDA1			I ² C bus data input/output pin (open drain)
		INT15			External interrupt input pin
A9	69	P14_2	I/O	A	General-purpose input/output port
		ICU2			Input capture input pin
		TIN2			External trigger input pin of reload timer
		TTG10/2			External trigger input pin of PPG timer
A8	70	P14_6	I/O	A	General-purpose input/output port
		ICU6			Input capture input pin
		TIN6			Input capture input pin
		TTG14/6			External trigger input pin of PPG timer
A7	71	P16_1	I/O	A	General-purpose input/output port
		PPG9			Output pin of PPG timer

JEDEC	Pin no.	Pin name	I/O	I/O circuit type ^[1]	Description
A6	72	P16_5	I/O	A	General-purpose input/output port
		PPG13			Output pin of PPG timer
		SG0			SG0 output pin of sound generator
A5	73	P15_0	I/O	A	General-purpose input/output port
		OCU0			Output compare output pin
		TOT0			Reload timer output pin
A4	74	P15_4	I/O	A	General-purpose input/output port
		OCU4			Output compare output pin
		TOT4			Reload timer output pin
A3	75	P15_7	I/O	A	General-purpose input/output port
		OCU7			Output compare output pin
		TOT7			Reload timer output pin
A2	76	P24_0	I/O	A	General-purpose input/output port
		INT0			External interrupt input pin
B2	77	P24_2	I/O	A	General-purpose input/output port
		INT2			External interrupt input pin
C2	78	P24_4	I/O	C	General-purpose input/output port
		INT4			External interrupt input pin
		SDA2			I ² C bus DATA input/output pin (open drain)
D2	79	P13_2	I/O	A	General-purpose input/output port
		DEOTX0			DMA external transfer EOT (End of Track) output pin
		DEOP0			DMA external transfer EOP (End of Process) output pin
E2	80	P13_4	I/O	A	General-purpose input/output port
		DREQ1			DMA external transfer request input
F2	81	P13_7	I/O	A	General-purpose input/output port
		DEOP1			DMA external transfer EOP (End of Process) output pin
G2	82	P09_0	I/O	A	General-purpose input/output port
		CSX0			Chip select output pin
H2	83	P09_4	I/O	A	General-purpose input/output port
		CSX4			Chip select output pin
J2	84	P09_7	I/O	A	General-purpose input/output port
		CSX7			Chip select output pin
K2	85	P08_3	I/O	A	General-purpose input/output port
		WRX3			External write strobe output pin

JEDEC	Pin no.	Pin name	I/O	I/O circuit type ^[1]	Description
L2	86	P08_6	I/O	A	General-purpose input/output port
		BRQ			External bus release request input pin
M2	87	P07_2	I/O	A	General-purpose input/output port
		A2			Signal pin of external address bus (bit2)
N2	88	P07_6	I/O	A	General-purpose input/output port
		A6			Signal pin of external address bus (bit6)
P2	89	P06_1	I/O	A	General-purpose input/output port
		A9			Signal pin of external address bus (bit9)
R2	90	P06_5	I/O	A	General-purpose input/output port
		A13			Signal pin of external address bus (bit13)
T2	91	P05_0	I/O	A	General-purpose input/output port
		A16			Signal pin of external address bus (bit16)
U2	92	P05_4	I/O	A	General-purpose input/output port
		A20			Signal pin of external address bus (bit20)
V2	93	P05_7	I/O	A	General-purpose input/output port
		A23			Signal pin of external address bus (bit23)
W2	94	P04_2	I/O	A	General-purpose input/output port
		A26			Signal pin of external address bus (bit26)
W3	95	P03_0	I/O	A	General-purpose input/output port
		D0			Signal pin of external data bus (bit0)
W4	96	P03_3	I/O	A	General-purpose input/output port
		D3			Signal pin of external data bus (bit3)
W5	97	P03_7	I/O	A	General-purpose input/output port
		D7			Signal pin of external data bus (bit7)
W6	98	P02_2	I/O	A	General-purpose input/output port
		D10			Signal pin of external data bus (bit10)
W7	99	P02_6	I/O	A	General-purpose input/output port
		D14			Signal pin of external data bus (bit14)
W8	100	P01_1	I/O	A	General-purpose input/output port
		D17			Signal pin of external data bus (bit17)
W9	101	P01_5	I/O	A	General-purpose input/output port
		D21			Signal pin of external data bus (bit21)
W10	102	P00_0	I/O	A	General-purpose input/output port
		D24			Signal pin of external data bus (bit24)

JEDEC	Pin no.	Pin name	I/O	I/O circuit type ^[1]	Description
W11	103	P00_4	I/O	A	General-purpose input/output port
		D28			Signal pin of external data bus (bit28)
W12	104	P10_1	I/O	A	General-purpose input/output port
		ASX			Address strobe output pin
W13	105	P10_0	I/O	A	General-purpose input/output port
		SYSCLK			Clock output pin for external bus
W14	106	P10_5	I/O	A	General-purpose input/output port
		MCLKI			Clock input pin for memory
W15	107	TDO	O	O	Boundary Scan Test Data Out pin
W16	108	TDI	I	H	Boundary Scan Test Data In pin
W17	109	TRST	I	I	Boundary Scan Test Reset pin
W18	110	P21_2	I/O	A	General-purpose input/output port
		SCK0			Clock input/output pin of USART0
		CK0			External clock input pin of free-run timer 0
W19	111	P21_1	I/O	A	General-purpose input/output port
		SOT0			Data output pin of USART0
V19	112	P21_5	I/O	A	General-purpose input/output port
		SOT1			Data output pin of USART1
U19	113	P20_1	I/O	A	General-purpose input/output port
		SOT2			Data output pin of USART2
		BIN0			Up/down counter input pin
T19	114	X0A	---	J2	Sub clock (oscillation) input
R19	115	P19_1	I/O	A	General-purpose input/output port
		SOT4			Data output pin of USART4
P19	116	P19_4	I/O	A	General-purpose input/output port
		SIN5			Data input pin of USART5
N19	117	P18_0	I/O	A	General-purpose input/output port
		SIN6			Data input pin of USART6
		AIN2			Up/down counter input pin
M19	118	X0	---	J1	Clock (oscillation) input
L19	119	P17_0	I/O	A	General-purpose input/output port
		PPG0			Output pin of PPG timer
K19	120	P17_3	I/O	A	General-purpose input/output port
		PPG3			Output pin of PPG timer

JEDEC	Pin no.	Pin name	I/O	I/O circuit type ^[1]	Description
J19	121	P17_7	I/O	A	General-purpose input/output port
		PPG7			Output pin of PPG timer
H19	122	P23_3	I/O	A	General-purpose input/output port
		TX1			TX output pin of CAN1
G19	123	P23_6	I/O	A	General-purpose input/output port
		RX3			RX input pin of CAN3
		INT11			External interrupt input pin
F19	124	P29_2	I/O	B	General-purpose input/output port
		AN2			Analog input pin of A/D converter
E19	125	P29_5	I/O	B	General-purpose input/output port
		AN5			Analog input pin of A/D converter
D19	126	P28_1	I/O	B	General-purpose input/output port
		AN9			Analog input pin of A/D converter
C19	127	P28_4	I/O	B	General-purpose input/output port
		AN12			Analog input pin of A/D converter
B19	128	P28_6	I/O	B	General-purpose input/output port
		AN14			Analog input pin of A/D converter
B18	129	P27_0	I/O	B	General-purpose input/output port
		AN16			Analog input pin of A/D converter
B17	130	P27_3	I/O	B	General-purpose input/output port
		AN19			Analog input pin of A/D converter
B16	131	P27_5	I/O	B	General-purpose input/output port
		AN21			Analog input pin of A/D converter
B15	132	P27_7	I/O	B	General-purpose input/output port
		AN23			Analog input pin of A/D converter
B14	133	P26_1	I/O	B	General-purpose input/output port
		AN25			Analog input pin of A/D converter
B13	134	P26_4	I/O	B	General-purpose input/output port
		AN28			Analog input pin of A/D converter
B12	135	P22_2	I/O	A	General-purpose input/output port
		RX5			RX input pin of CAN5
		INT13			External interrupt input pin

JEDEC	Pin no.	Pin name	I/O	I/O circuit type ^[1]	Description
B11	136	P22_4	I/O	A	General-purpose input/output port
		SDA0			I ² C bus data input/output pin (open drain)
		INT14			External interrupt input pin
B10	137	P22_7	I/O	C	General-purpose input/output port
		SCL1			I ² C bus clock input/output pin (open drain)
B9	138	P14_3	I/O	A	General-purpose input/output port
		ICU3			Input capture input pin
		TIN3			External trigger input pin of reload timer
		TTG11/3			External trigger input pin of PPG timer
B8	139	P14_7	I/O	A	General-purpose input/output port
		ICU7			Input capture input pin
		TIN7			External trigger input pin of reload timer
		TTG15/7			External trigger input pin of PPG timer
B7	140	P16_2	I/O	A	General-purpose input/output port
		PPG10			Output pin of PPG timer
B6	141	P16_6	I/O	A	General-purpose input/output port
		PPG14			Output pin of PPG timer
		PFM			Pulse frequency modulator output pin
B5	142	P15_1	I/O	A	General-purpose input/output port
		OCU1			Output compare output pin
		TOT1			Reload timer output pin
B4	143	P15_5	I/O	A	General-purpose input/output port
		OCU5			Output compare output pin
		TOT5			Reload timer output pin
B3	144	P24_3	I/O	A	General-purpose input/output port
		INT3			External interrupt input pin
C3	145	P24_5	I/O	C	General-purpose input/output port
		INT5			External interrupt input pin
		SCL2			I ² C bus clock input/output pin (open drain)
D3	146	P24_6	I/O	C	General-purpose input/output port
		INT6			External interrupt input pin
		SDA3			I ² C bus data input/output pin (open drain)
E3	147	P13_5	I/O	A	General-purpose input/output port
		DACKX1			DMA external transfer acknowledge output pin

JEDEC	Pin no.	Pin name	I/O	I/O circuit type ^[1]	Description
F3	148	P11_0	I/O	A	General-purpose input/output port
		IORDX			Output pin for DMA I/O to memory fly-by transfer
G3	149	P09_1	I/O	A	General-purpose input/output port
		CSX1			Chip select output pin
H3	150	P09_5	I/O	A	General-purpose input/output port
		CSX5			Chip select output pin
J3	151	P08_0	I/O	A	General-purpose input/output port
		WRX0			External write strobe output pin
K3	152	P08_4	I/O	A	General-purpose input/output port
		RDX			External read strobe output pin
L3	153	P08_7	I/O	A	General-purpose input/output port
		RDY			External ready input pin
M3	154	P07_3	I/O	A	General-purpose input/output port
		A3			Signal pin of external address bus (bit3)
N3	155	P07_7	I/O	A	General-purpose input/output port
		A7			Signal pin of external address bus (bit7)
P3	156	P06_2	I/O	A	General-purpose input/output port
		A10			Signal pin of external address bus (bit10)
R3	157	P06_6	I/O	A	General-purpose input/output port
		A14			Signal pin of external address bus (bit14)
T3	158	P05_1	I/O	A	General-purpose input/output port
		A17			Signal pin of external address bus (bit17)
U3	159	P05_5	I/O	A	General-purpose input/output port
		A21			Signal pin of external address bus (bit21)
V3	160	P04_0	I/O	A	General-purpose input/output port
		A24			Signal pin of external address bus (bit24)
V4	161	P03_2	I/O	A	General-purpose input/output port
		D2			Signal pin of external data bus (bit2)
V5	162	P03_6	I/O	A	General-purpose input/output port
		D6			Signal pin of external data bus (bit6)
V6	163	P02_1	I/O	A	General-purpose input/output port
		D9			Signal pin of external data bus (bit9)
V7	164	P02_5	I/O	A	General-purpose input/output port
		D13			Signal pin of external data bus (bit13)

JEDEC	Pin no.	Pin name	I/O	I/O circuit type ^[1]	Description
V8	165	P01_0	I/O	A	General-purpose input/output port
		D16			Signal pin of external data bus (bit16)
V9	166	P01_4	I/O	A	General-purpose input/output port
		D20			Signal pin of external data bus (bit20)
V10	167	P01_7	I/O	A	General-purpose input/output port
		D23			Signal pin of external data bus (bit23)
V11	168	P00_3	I/O	A	General-purpose input/output port
		D27			Signal pin of external data bus (bit27)
V12	169	P10_6	I/O	A	General-purpose input/output port
		MCLKE			Clock enable signal pin for memory
V13	170	P10_2	I/O	A	General-purpose input/output port
		BAAX			Burst address advance output pin
V14	171	TMS	I	H	Boundary Scan Test Mode Select pin
V15	172	MD_2	I	G	Mode setting pins
V16	173	MD_1	I	G	
V17	174	MD_0	I	G	
V18	175	P21_6	I/O	A	General-purpose input/output port
		SCK1			Clock input/output pin of USART1
		CK1			External clock input pin of free-run timer 1
U18	176	P20_2	I/O	A	General-purpose input/output port
		SCK2			Clock input/output pin of USART2
		ZIN0			Up/down counter input pin
		CK2			External clock input pin of free-run timer 2
T18	177	P20_5	I/O	A	General-purpose input/output port
		SOT3			Data output pin of USART3
		BIN1			Up/down counter input pin
R18	178	X1A	---	J2	Sub clock (oscillation) output
P18	179	P19_5	I/O	A	General-purpose input/output port
		SOT5			Data output pin of USART2
N18	180	P18_1	I/O	A	General-purpose input/output port
		SOT6			Data output pin of USART6
		BIN2			Up/down counter input pin

JEDEC	Pin no.	Pin name	I/O	I/O circuit type ^[1]	Description
M18	181	P18_4	I/O	A	General-purpose input/output port
		SIN7			Data input pin of USART7
		AIN3			Up/down counter input pin
L18	182	P17_1	I/O	A	General-purpose input/output port
		PPG1			PPG timer output pin
K18	183	P17_4	I/O	A	General-purpose input/output port
		PPG4			PPG timer output pin
J18	184	P23_0	I/O	A	General-purpose input/output port
		RX0			RX input pin of CAN0
		INT8			External interrupt input pin
H18	185	P23_4	I/O	A	General-purpose input/output port
		RX2			RX input pin of CAN2
		INT10			External interrupt input pin
G18	186	P29_0	I/O	B	General-purpose input/output port
		AN0			Analog input pin of A/D converter
F18	187	P29_3	I/O	B	General-purpose input/output port
		AN3			Analog input pin of A/D converter
E18	188	P29_6	I/O	B	General-purpose input/output port
		AN6			Analog input pin of A/D converter
D18	189	P28_2	I/O	B	General-purpose input/output port
		AN10			Analog input pin of A/D converter
C18	190	P27_1	I/O	B	General-purpose input/output port
		AN17			Analog input pin of A/D converter
C17	191	P27_4	I/O	B	General-purpose input/output port
		AN20			Analog input pin of A/D converter
C16	192	ALARM_0	I	N	Alarm comparator input pin
C15	193	ALARM_1	I	N	Alarm comparator input pin
C14	194	P26_2	I/O	B	General-purpose input/output port
		AN26			Analog input pin of A/D converter
C13	195	P26_5	I/O	B	General-purpose input/output port
		AN29			Analog input pin of A/D converter
C12	196	P26_6	I/O	B	General-purpose input/output port
		AN30			Analog input pin of A/D converter

JEDEC	Pin no.	Pin name	I/O	I/O circuit type ^[1]	Description
C11	197	P22_5	I/O	C	General-purpose input/output port
		SCL0			I ² C bus clock input/output pin (open drain)
C10	198	P14_0	I/O	A	General-purpose input/output port
		ICU0			Input capture input pin
		TIN0			External trigger input pin of reload timer
		TTG8/0			External trigger input pin of PPG timer
C9	199	P14_4	I/O	A	General-purpose input/output port
		ICU4			Input capture input pin
		TIN4			External trigger input pin of reload timer
		TTG12/4			External trigger input pin of PPG timer
C8	200	P16_0	I/O	A	General-purpose input/output port
		PPG8			Output pin of PPG timer
C7	201	P16_3	I/O	A	General-purpose input/output port
		PPG11			Output pin of PPG timer
C6	202	P16_7	I/O	A	General-purpose input/output port
		PPG15			Output pin of PPG timer
		ATGX			A/D converter external trigger input pin
C5	203	P15_2	I/O	A	General-purpose input/output port
		OCU2			Output compare output pin
		TOT2			Reload timer output pin
C4	204	P15_6	I/O	A	General-purpose input/output port
		OCU6			Output compare output pin
		TOT6			Reload timer output pin
E4	206	P24_7	I/O	C	General-purpose input/output port
		INT7			External interrupt input pin
		SCL3			I ² C bus clock input/output pin (open drain)
G4	208	P09_2	I/O	A	General-purpose input/output port
		CSX2			Chip select output pin
J4	210	P08_1	I/O	A	General-purpose input/output port
		WRX1			External write strobe output pin
L4	212	P07_0	I/O	A	General-purpose input/output port
		A0			Signal pin of external address bus (bit0)
M4	213	P07_4	I/O	A	General-purpose input/output port
		A4			Signal pin of external address bus (bit4)

JEDEC	Pin no.	Pin name	I/O	I/O circuit type ^[1]	Description
P4	215	P06_3	I/O	A	General-purpose input/output port
		A11			Signal pin of external address bus (bit11)
T4	217	P05_2	I/O	A	General-purpose input/output port
		A18			Signal pin of external address bus (bit18)
U5	219	P03_5	I/O	A	General-purpose input/output port
		D5			Signal pin of external data bus (bit5)
U7	221	P02_4	I/O	A	General-purpose input/output port
		D12			Signal pin of external data bus (bit12)
U9	223	P01_3	I/O	A	General-purpose input/output port
		D19			Signal pin of external data bus (bit19)
U11	225	P00_2	I/O	A	General-purpose input/output port
		D26			Signal pin of external data bus (bit26)
U12	226	P10_3	I/O	A	General-purpose input/output port
		WEX			Write enable output pin
U14	228	TCK	I	I	Boundary Scan Test Clock input pin
U16	230	INITX	I	H	External reset input pin
T17	232	P20_6	I/O	A	General-purpose input/output port
		SCK3			Clock input/output pin of USART3
		ZIN1			Up/down counter input pin
		CK3			External clock input pin of free-run timer 3
P17	234	P19_6	I/O	A	General-purpose input/output port
		SCK5			Clock input/output pin of USART5
		CK5			External clock input pin of free-run timer 5
M17	236	P18_5	I/O	A	General-purpose input/output port
		SOT7			Data output pin of USART7
		BIN3			Up/down counter input pin
K17	238	P17_5	I/O	A	General-purpose input/output port
		PPG5			Output pin of PPG timer
J17	239	P23_1	I/O	A	General-purpose input/output port
		TX0			TX output pin of CAN0
G17	241	P29_1	I/O	B	General-purpose input/output port
		AN1			Analog input pin of A/D converter
E17	243	P29_7	I/O	B	General-purpose input/output port
		AN7			Analog input pin of A/D converter

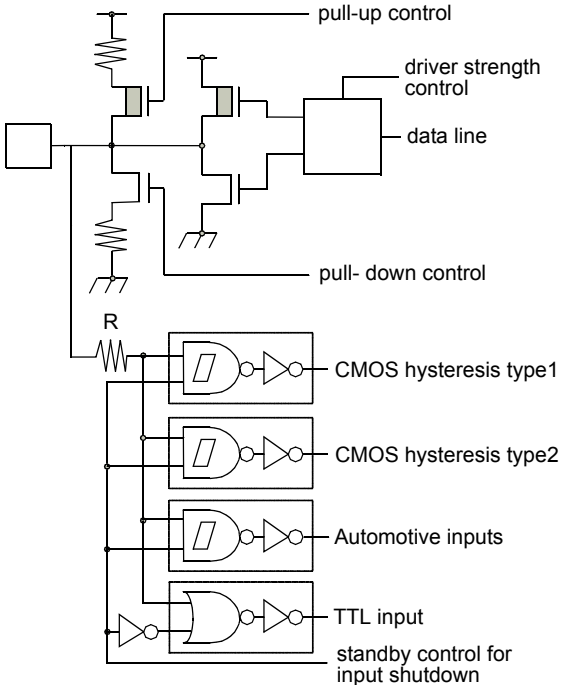
JEDEC	Pin no.	Pin name	I/O	I/O circuit type ¹⁾	Description
D16	245	P27_6	I/O	B	General-purpose input/output port
		AN22			Analog input pin of A/D converter
D14	247	P26_3	I/O	B	General-purpose input/output port
		AN27			Analog input pin of A/D converter
D12	249	P26_7	I/O	B	General-purpose input/output port
		AN31			Analog input pin of A/D converter
D10	251	P14_1	I/O	A	General-purpose input/output port
		ICU1			Input capture input pin
		TIN1			External trigger input pin of reload timer
		TTG9/1			External trigger input pin of PPG timer
D9	252	P14_5	I/O	A	General-purpose input/output port
		ICU5			Input capture input pin
		TIN5			External trigger input pin of reload timer
		TTG13/5			External trigger input pin of PPG timer
D7	254	P16_4	I/O	A	General-purpose input/output port
		PPG12			PPG timer output pin
		SGA			SGA output pin of sound generator
D5	256	P15_3	I/O	A	General-purpose input/output port
		OCU3			Output compare output pin
		TOT3			Reload timer output pin

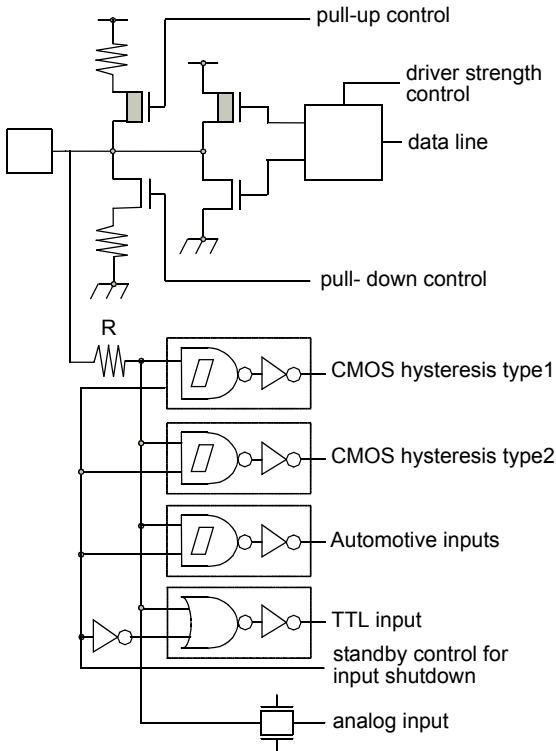
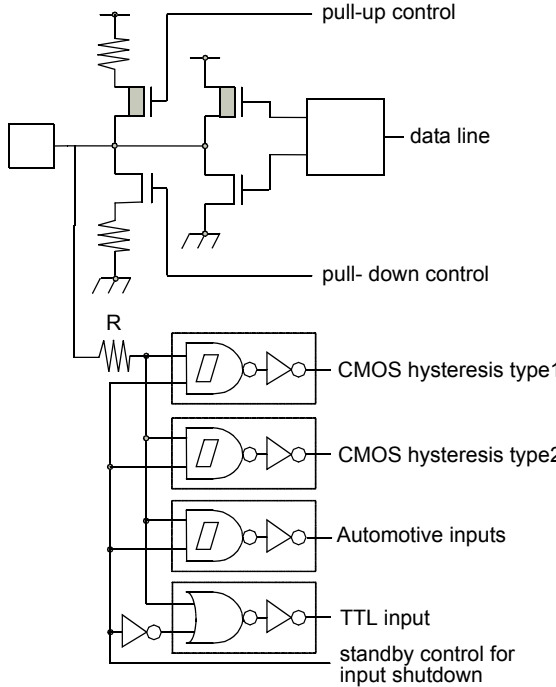
1. For information about the I/O circuit type, refer to "[I/O Circuit Types](#)".

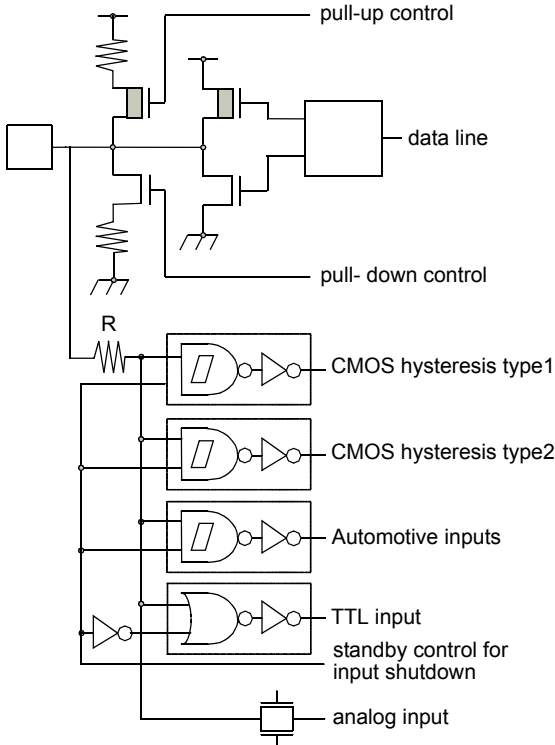
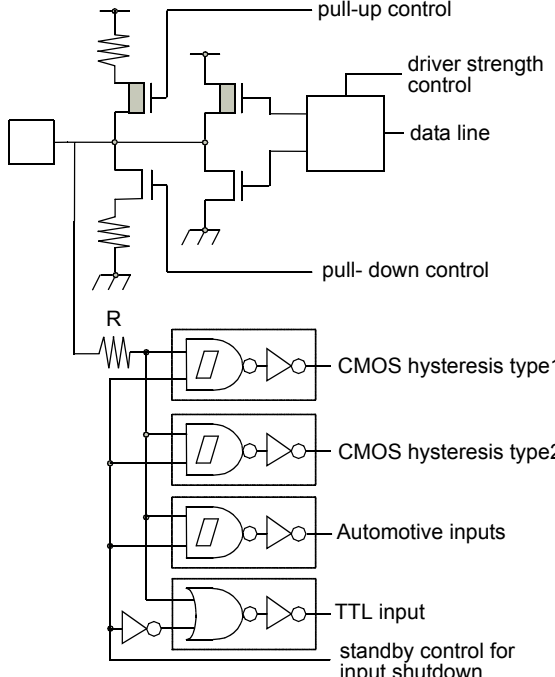
3.2 Power Supply/Ground Pins

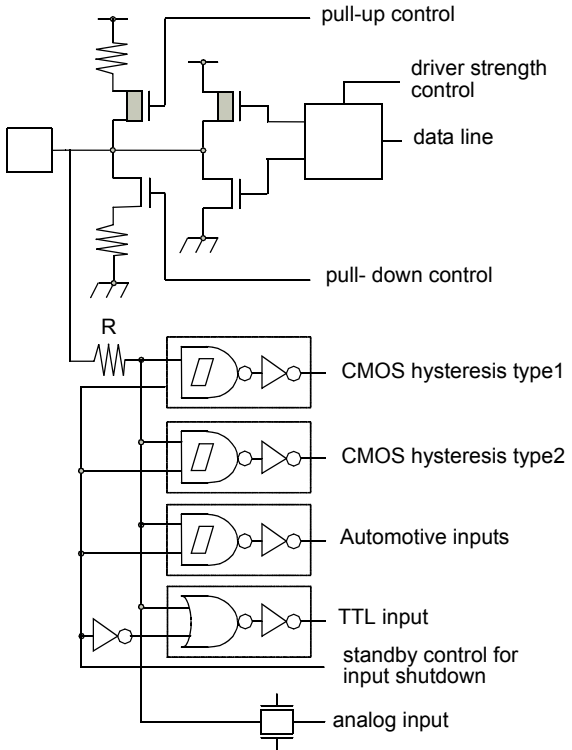
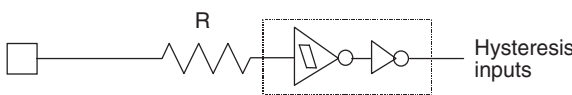
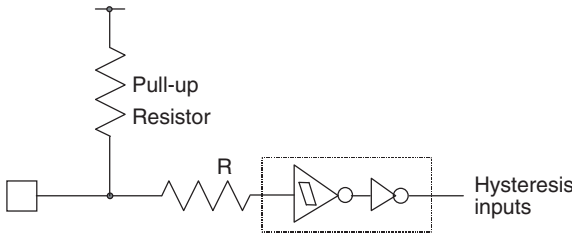
Pin no. (JEDEC)	Pin name	Description
1 (A1),20(Y1),34(Y15),39 (Y20), 58 (A20),205 (D4),209 (H4), 214 (N4),218 (U4),222 (U8), 227 (U13),231 (U17),235 (N17), 240 (H17),244 (D17),248 (D13), 253 (D8), 257 to 320 (G7..G14....P7..P14)	VSS	GND pins
233 (R17),237 (L17),242 (F17), 246 (D15),250 (D11),255 (D6)	VDD5	Power supply pins
207 (F4), 211 (K4),216 (R4), 220 (U6),224 (U10),229 (U15)	VDD35	Power supply pins for external bus
36 (Y17),37(Y18)	VDD5R	Power supply pin for internal regulator
60 (A18)	AVSS	Analog GND pin for A/D converter
63 (A15)	AVCC5	Power supply pin for A/D converter
62 (A16)	AVRH5	Reference power supply pin for A/D converter
38(Y19)	VCC18C	Capacitor connection pin for internal regulator

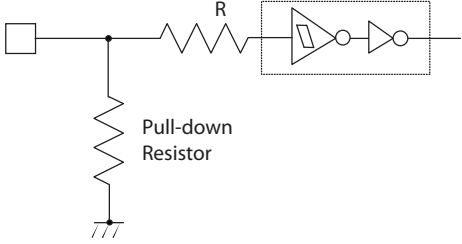
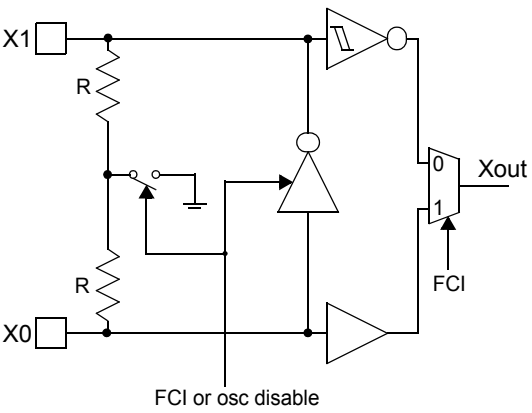
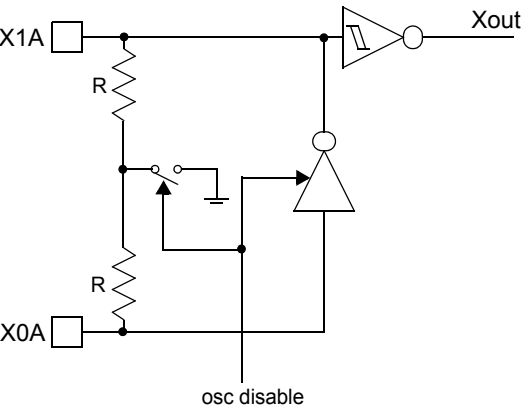
4. I/O Circuit Types

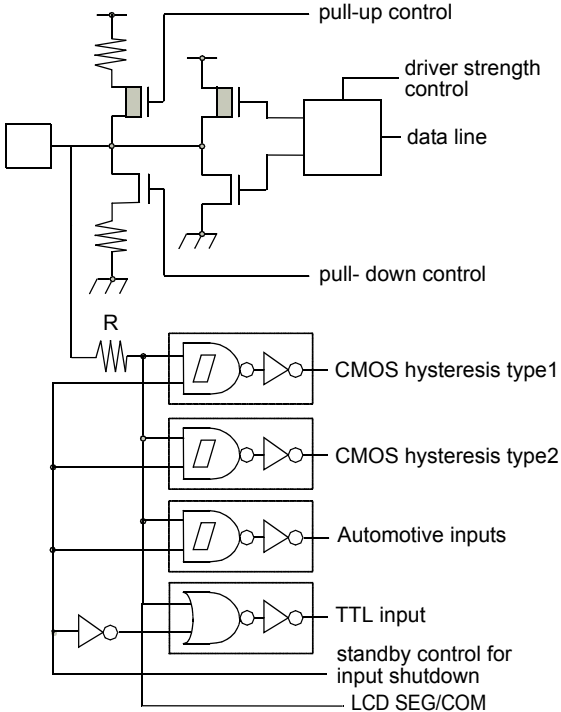
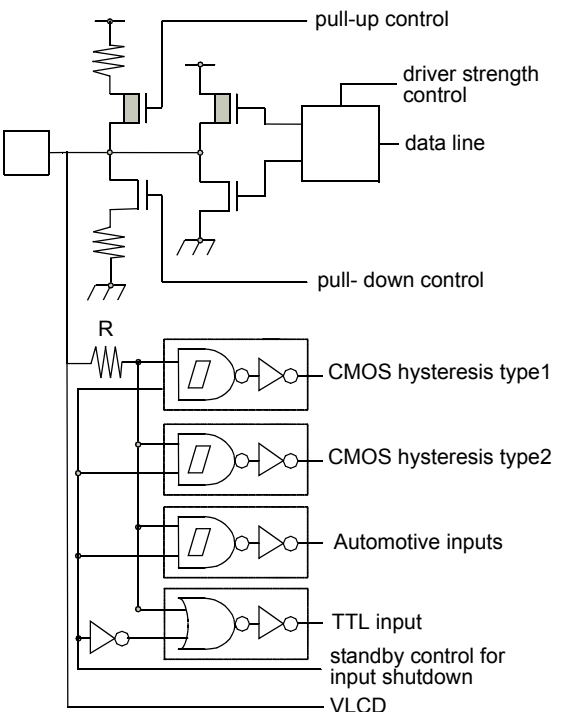
Type	Circuit	Remarks
A		<p>CMOS level output (programmable $I_{OL} = 5\text{mA}$, $I_{OH} = -5\text{mA}$ and $I_{OL} = 2\text{mA}$, $I_{OH} = -2\text{mA}$)</p> <p>2 different CMOS hysteresis inputs with input shutdown function</p> <p>Automotive input with input shutdown function</p> <p>TTL input with input shutdown function</p> <p>Programmable pull-up resistor: $50\text{k}\Omega$ approx.</p>

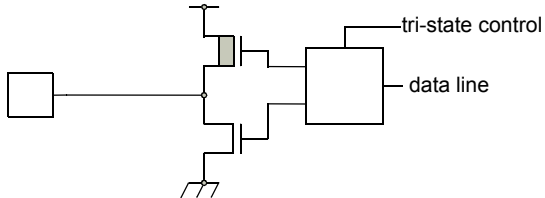
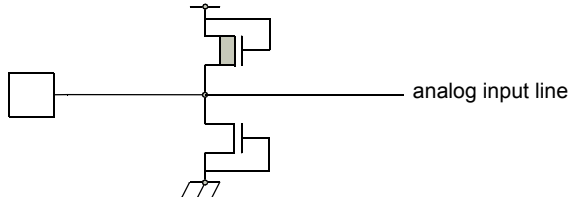
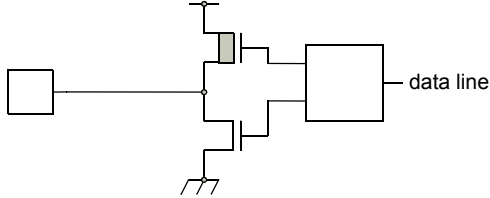
Type	Circuit	Remarks
B	 <p>pull-up control</p> <p>driver strength control</p> <p>data line</p> <p>pull-down control</p> <p>R</p> <p>CMOS hysteresis type1</p> <p>CMOS hysteresis type2</p> <p>Automotive inputs</p> <p>TTL input</p> <p>standby control for input shutdown</p> <p>analog input</p>	<p>CMOS level output (programmable $I_{OL} = 5\text{mA}$, $I_{OH} = -5\text{mA}$ and $I_{OL} = 2\text{mA}$, $I_{OH} = -2\text{mA}$)</p> <p>2 different CMOS hysteresis inputs with input shutdown function</p> <p>Automotive input with input shutdown function</p> <p>TTL input with input shutdown function</p> <p>Programmable pull-up resistor: 50kΩ approx.</p> <p>Analog input</p>
C	 <p>pull-up control</p> <p>data line</p> <p>pull-down control</p> <p>R</p> <p>CMOS hysteresis type1</p> <p>CMOS hysteresis type2</p> <p>Automotive inputs</p> <p>TTL input</p> <p>standby control for input shutdown</p>	<p>CMOS level output ($I_{OL} = 3\text{mA}$, $I_{OH} = -3\text{mA}$)</p> <p>2 different CMOS hysteresis inputs with input shutdown function</p> <p>Automotive input with input shutdown function</p> <p>TTL input with input shutdown function</p> <p>Programmable pull-up resistor: 50kΩ approx.</p>

Type	Circuit	Remarks
D		<p>CMOS level output ($I_{OL} = 3\text{mA}$, $I_{OH} = -3\text{mA}$)</p> <p>2 different CMOS hysteresis inputs with input shutdown function</p> <p>Automotive input with input shutdown function</p> <p>TTL input with input shutdown function</p> <p>Programmable pull-up resistor: $50\text{k}\Omega$ approx.</p> <p>Analog input</p>
E		<p>CMOS level output (programmable $I_{OL} = 5\text{mA}$, $I_{OH} = -5\text{mA}$ and $I_{OL} = 2\text{mA}$, $I_{OH} = -2\text{mA}$, and $I_{OL} = 30\text{mA}$, $I_{OH} = -30\text{mA}$)</p> <p>2 different CMOS hysteresis inputs with input shutdown function</p> <p>Automotive input with input shutdown function</p> <p>TTL input with input shutdown function</p> <p>Programmable pull-up resistor: $50\text{k}\Omega$ approx.</p>

Type	Circuit	Remarks
F		<p>CMOS level output (programmable $I_{OL} = 5\text{mA}$, $I_{OH} = -5\text{mA}$ and $I_{OL} = 2\text{mA}$, $I_{OH} = -2\text{mA}$, and $I_{OL} = 30\text{mA}$, $I_{OH} = -30\text{mA}$)</p> <p>2 different CMOS hysteresis inputs with input shutdown function Automotive input with input shutdown function TTL input with input shutdown function Programmable pull-up resistor: $50\text{k}\Omega$ approx. Analog input</p>
G		<p>Mask ROM and EVA device: CMOS Hysteresis input pin Flash device: CMOS input pin 12 V withstand (for MD [2:0])</p>
H		<p>CMOS Hysteresis input pin Pull-up resistor value: $50\text{ k}\Omega$ approx.</p>

Type	Circuit	Remarks
I		<p>CMOS Hysteresis input pin Pull-down resistor value: 50 kΩ approx.</p>
J1		<p>High-speed oscillation circuit:</p> <ul style="list-style-type: none"> ■ Programmable between oscillation mode (external crystal or resonator connected to X0/X1 pins) and Fast external Clock Input (FCI) mode (external clock connected to X0 pin) ■ Feedback resistor = approx. $2 * 0.5 \text{ M}\Omega$. Feedback resistor is grounded in the center when the oscillator is disabled or in FCI mode.
J2		<p>Low-speed oscillation circuit:</p> <ul style="list-style-type: none"> ■ Feedback resistor = approx. $2 * 5 \text{ M}\Omega$. Feedback resistor is grounded in the center when the oscillator is disabled.

Type	Circuit	Remarks
K		<p>CMOS level output (programmable $I_{OL} = 5\text{mA}$, $I_{OH} = -5\text{mA}$ and $I_{OL} = 2\text{mA}$, $I_{OH} = -2\text{mA}$)</p> <p>2 different CMOS hysteresis inputs with input shutdown function</p> <p>Automotive input with input shutdown function</p> <p>TTL input with input shutdown function</p> <p>Programmable pull-up resistor: $50\text{k}\Omega$ approx.</p> <p>LCD SEG/COM output</p>
L		<p>CMOS level output (programmable $I_{OL} = 5\text{mA}$, $I_{OH} = -5\text{mA}$ and $I_{OL} = 2\text{mA}$, $I_{OH} = -2\text{mA}$)</p> <p>2 different CMOS hysteresis inputs with input shutdown function</p> <p>Automotive input with input shutdown function)</p> <p>TTL input with input shutdown function</p> <p>Programmable pull-up resistor: $50\text{k}\Omega$ approx.</p> <p>Analog input</p> <p>LCD Voltage input</p>

Type	Circuit	Remarks
M		CMOS level tri-state output ($I_{OL} = 5\text{mA}$, $I_{OH} = -5\text{mA}$)
N		Analog input pin with protection
O		CMOS level output ($I_{OL} = 5\text{mA}$, $I_{OH} = -5\text{mA}$)

5. Handling Devices

5.1 Preventing Latch-up

Latch-up may occur in a CMOS IC if a voltage higher than (V_{DD5} or V_{DD35}) or less than (V_{SS5}) is applied to an input or output pin or if a voltage exceeding the rating is applied between the power supply pins and ground pins. If latch-up occurs, the power supply current increases rapidly, sometimes resulting in thermal breakdown of the device. Therefore, be very careful not to apply voltages in excess of the absolute maximum ratings.

5.2 Handling of Unused Input Pins

If unused input pins are left open, abnormal operation may result. Any unused input pins should be connected to pull-up or pull-down resistor ($2K\Omega$ to $10K\Omega$) or enable internal pullup or pulldown resistors (PPER/PPCR) before the input enable (PORTEN) is activated by software. The mode pins MD_x can be connected to V_{SS5} or V_{DD5} directly. Unused ALARM input pins can be connected to AV_{SS5} directly.

5.3 Power Supply Pins

In MB91460G series, devices including multiple power supply pins and ground pins are designed as follows; pins necessary to be at the same potential are interconnected internally to prevent malfunctions such as latch-up. All of the power supply pins and ground pins must be externally connected to the power supply and ground respectively in order to reduce unnecessary radiation, to prevent strobe signal malfunctions due to the ground level rising and to follow the total output current ratings. Furthermore, the power supply pins and ground pins of the MB91460G series must be connected to the current supply source via a low impedance.

It is also recommended to connect a ceramic capacitor of approximately $0.1 \mu F$ as a bypass capacitor between power supply pin and ground pin near this device. This series has a built-in step-down regulator. Connect a bypass capacitor of $4.7 \mu F$ (use a X7R ceramic capacitor) to VCC18C pin for the regulator.

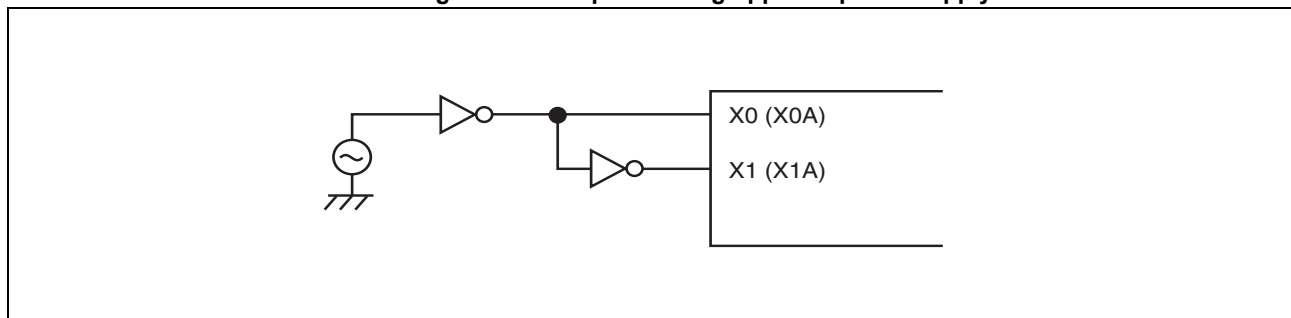
5.4 Crystal Oscillator Circuit

Noise in proximity to the X0 (X0A) and X1 (X1A) pins can cause the device to operate abnormally. Printed circuit boards should be designed so that the X0 (X0A) and X1 (X1A) pins, and crystal oscillator, as well as bypass capacitors connected to ground, are located near the device and ground. It is recommended that the printed circuit board layout be designed such that the X0 and X1 pins or X0A and X1A pins are surrounded by ground plane for the stable operation. Please request the oscillator manufacturer to evaluate the oscillational characteristics of the crystal and this device.

5.5 Notes on using External Clock

When using the external clock, it is necessary to simultaneously supply the X0 (X0A) and the X1 (X1A) pins. In the described combination, X1 (X1A) should be supplied with a clock signal which has the opposite phase to the X0 (X0A) pins. At X0 and X1, a frequency up to 16 MHz is possible.

Figure 1. Example of using opposite phase supply



5.6 Mode pins (MD_x)

These pins should be connected directly to the power supply or ground pins. To prevent the device from entering test mode accidentally due to noise, minimize the lengths of the patterns between each mode pin and power supply pin or ground pin on the printed circuit board as possible and connect them with low impedance.

5.7 Notes on operating in PLL clock mode

If the oscillator is disconnected or the clock input stops when the PLL clock is selected, the microcontroller may continue to operate at the free-running frequency of the self-oscillating circuit of the PLL. However, this self-running operation cannot be guaranteed.

5.8 Pull-up control

The AC standard is not guaranteed in case a pull-up resistor is connected to the pin serving as an external bus pin.

5.9 Notes on PS register

As the PS register is processed in advance by some instructions, when the debugger is being used, the exception handling may result in execution breaking in an interrupt handling routine or the displayed values of the flags in the PS register being updated. As the microcontroller is designed to carry out reprocessing correctly upon returning from such an EIT event, the operation before and after the EIT always proceeds according to specification.

■ **The following behavior may occur if any of the following occurs in the instruction immediately after a DIV0U/DIV0S instruction:**

- (a) a user interrupt or NMI is accepted;
- (b) single-step execution is performed;
- (c) execution breaks due to a data event or from the emulator menu.

1. D0 and D1 flags are updated in advance.
2. An EIT handling routine (user interrupt/NMI or emulator) is executed.
3. Upon returning from the EIT, the DIV0U/DIV0S instruction is executed and the D0 and D1 flags are updated to the same values as those in 1.

■ **The following behavior occurs when an ORCCR, STILM, MOV Ri,PS instruction is executed to enable a user interrupt or NMI source while that interrupt is in the active state.**

1. The PS register is updated in advance.
2. An EIT handling routine (user interrupt/NMI or emulator) is executed.
3. Upon returning from the EIT, the above instructions are executed and the PS register is updated to the same value as in 1.

6. Notes on Debugger

6.1 Execution of the RETI Command

If single-step execution is used in an environment where an interrupt occurs frequently, the corresponding interrupt handling routine will be executed repeatedly to the exclusion of other processing. This will prevent the main routine and the handlers for low priority level interrupts from being executed (For example, if the time-base timer interrupt is enabled, stepping over the RETI instruction will always break on the first line of the time-base timer interrupt handler).

Disable the corresponding interrupts when the corresponding interrupt handling routine no longer needs debugging.

6.2 Break function

If the range of addresses that cause a hardware break (including event breaks) is set to the address of the current system stack pointer or to an area that contains the stack pointer, execution will break after each instruction regardless of whether the user program actually contains data access instructions.

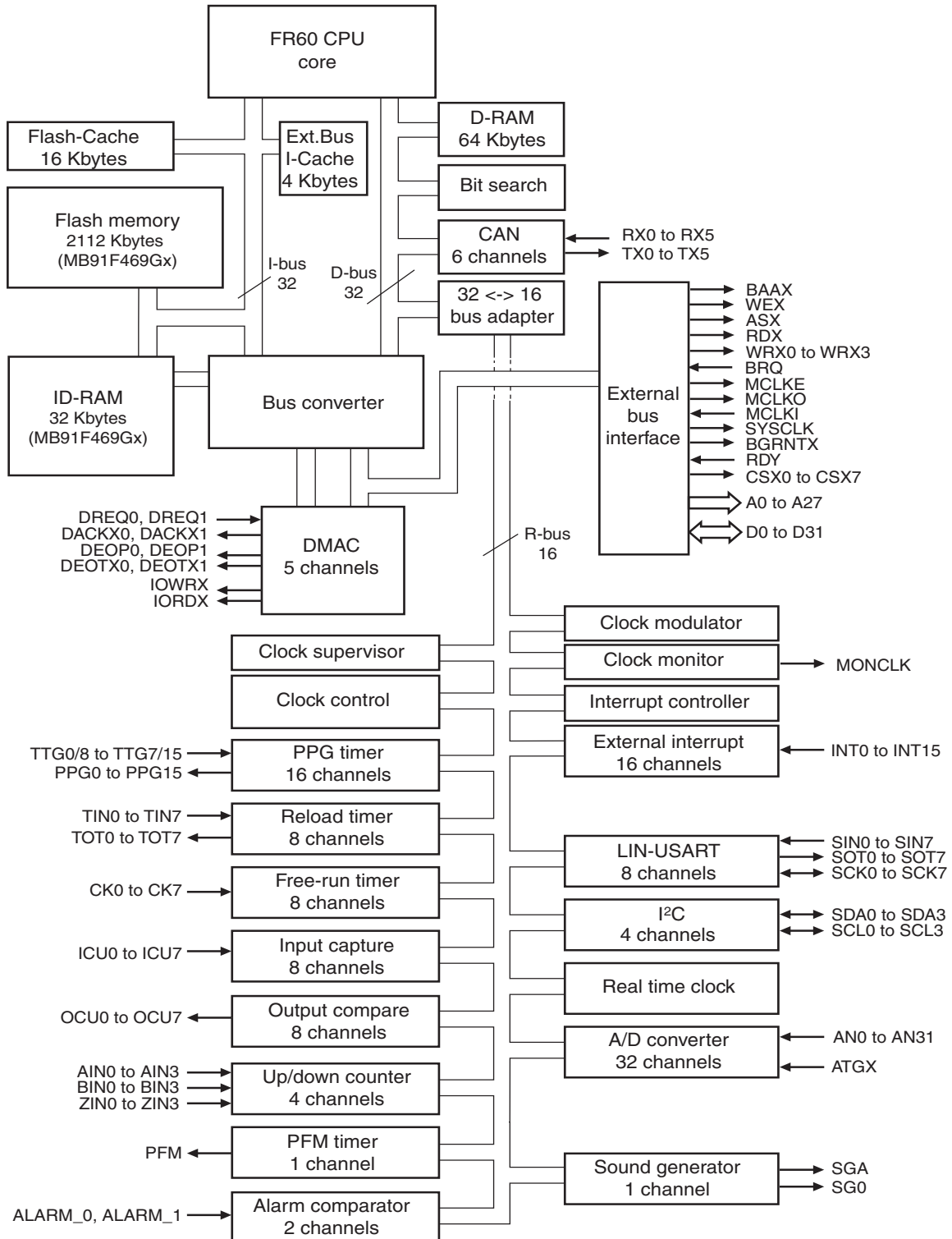
To prevent this, do not set (word) access to the area containing the address of the system stack pointer as the target of the hardware break (including an event breaks).

6.3 Operand break

It may cause malfunctions if a stack pointer exists in the area which is set as the DSU operand break. Do not set the access to the areas containing the address of system stack pointer as a target of data event break.

7. Block Diagram

7.1 MB91F469Gx



8. CPU and Control Unit

The FR family CPU is a high performance core that is designed based on the RISC architecture with advanced instructions for embedded applications.

8.1 Features

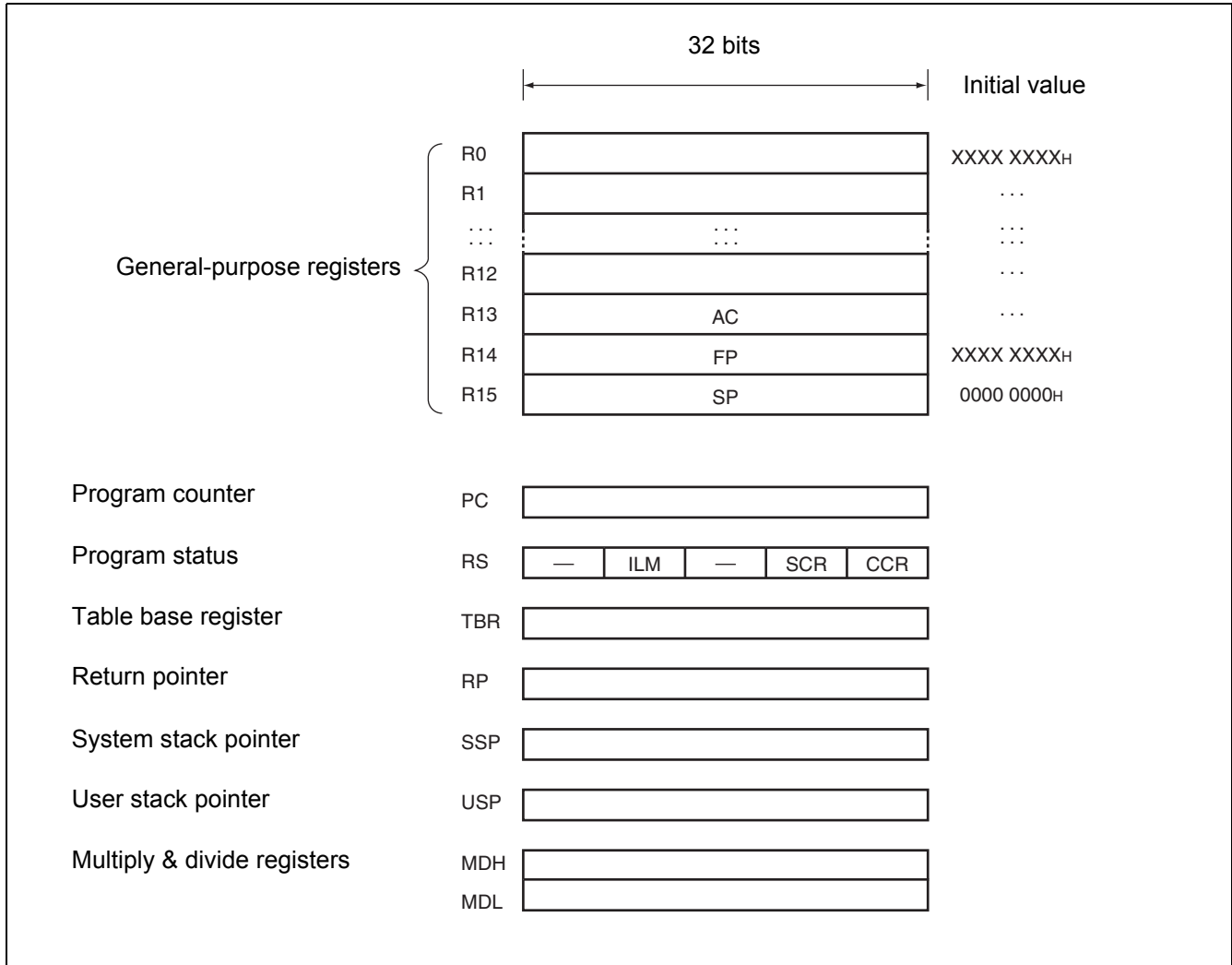
- Adoption of RISC architecture
Basic instruction: 1 instruction per cycle
- General-purpose registers: 32-bit × 16 registers
- 4 Gbytes linear memory space
- Multiplier installed
32-bit × 32-bit multiplication: 5 cycles
16-bit × 16-bit multiplication: 3 cycles
- Enhanced interrupt processing function
Quick response speed (6 cycles)
Multiple-interrupt support
Level mask function (16 levels)
- Enhanced instructions for I/O operation
Memory-to-memory transfer instruction
Bit processing instruction
- Basic instruction word length: 16 bits
- Low-power consumption
Sleep mode/stop mode

8.2 Internal Architecture

- The FR family CPU uses the Harvard architecture in which the instruction bus and data bus are independent of each other.
- A 32-bit ↔ 16-bit buffer is connected to the 32-bit bus (D-bus) to provide an interface between the CPU and peripheral resources.
- A Harvard ↔ Princeton bus converter is connected to both the I-bus and D-bus to provide an interface between the CPU and the bus controller.

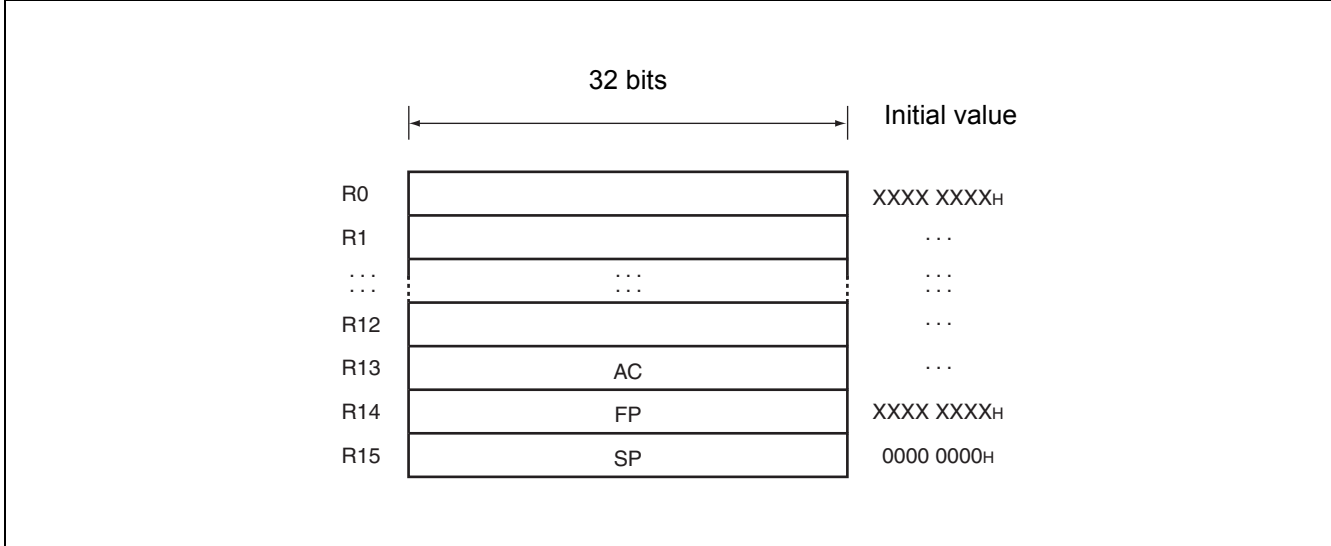
8.3 Programming Model

8.3.1 Basic programming model



8.4 Registers

8.4.1 General-Purpose Register



Registers R0 to R15 are general-purpose registers. These registers can be used as accumulators for computation operations and as pointers for memory access.

Of the 16 registers, enhanced commands are provided for the following registers to enable their use for particular applications.

R13: Virtual accumulator

R14: Frame pointer

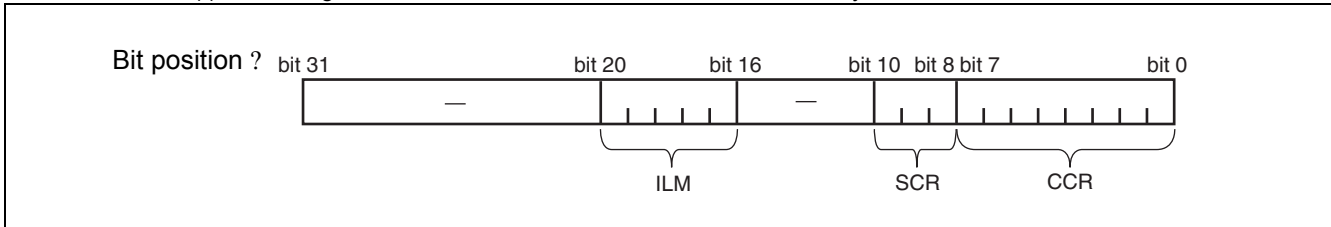
R15: Stack pointer

Initial values at reset are undefined for R0 to R14. The value for R15 is 00000000_H (SSP value).

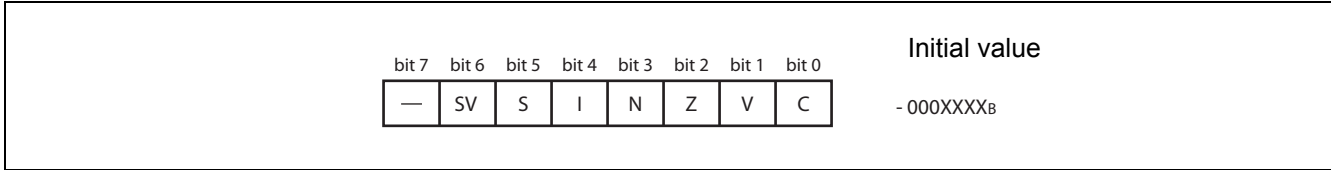
8.4.2 PS (Program Status)

This register holds the program status, and is divided into three parts, ILM, SCR, and CCR.

All undefined bits (-) in the diagram are Reserved bits. The read values are always "0". Write access to these bits is invalid.

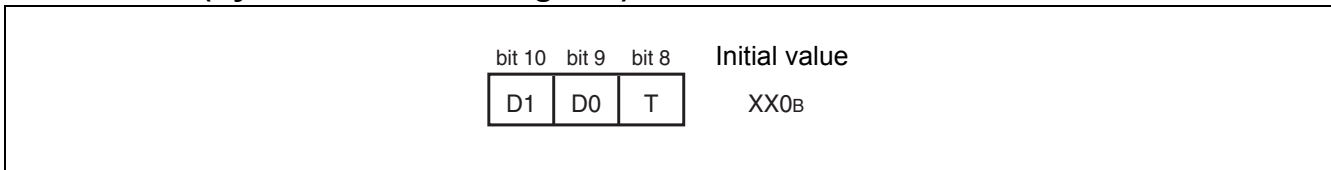


8.4.3 CCR (Condition Code Register)



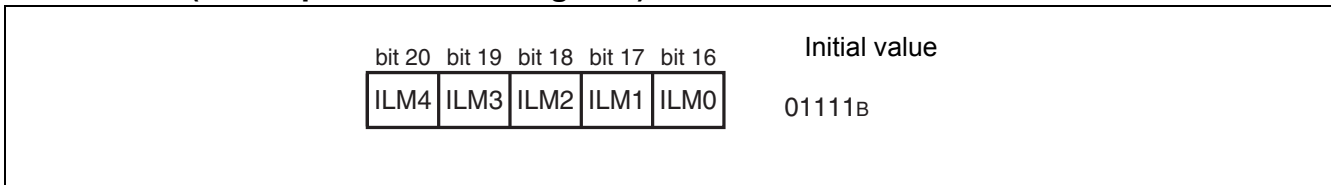
- SV: Supervisor flag
- S: Stack flag
- I: Interrupt enable flag
- N: Negative enable flag
- Z: Zero flag
- V: Overflow flag
- C: Carry flag

8.4.4 SCR (System Condition Register)



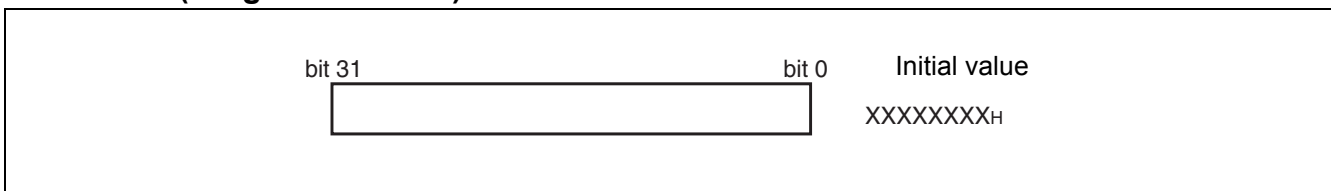
- Flag for step division (D1, D0)
This flag stores interim data during execution of step division.
- Step trace trap flag (T)
This flag indicates whether the step trace trap is enabled or disabled.
The step trace trap function is used by emulators. When an emulator is in use, it cannot be used in execution of user programs.

8.4.5 ILM (Interrupt Level Mask register)



This register stores interrupt level mask values, and the values stored in ILM4 to ILM0 are used for level masking.
The register is initialized to value “01111_B” at reset.

8.4.6 PC (Program Counter)



The program counter indicates the address of the instruction that is being executed.
The initial value at reset is undefined.

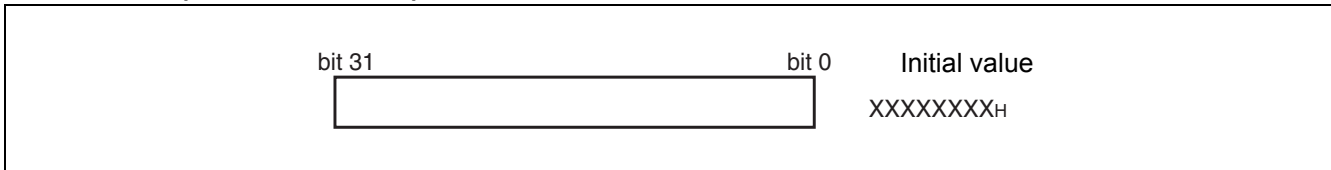
8.4.7 TBR (Table Base Register)



The table base register stores the starting address of the vector table used in EIT processing.

The initial value at reset is 000FFC00_H.

8.4.8 RP (Return Pointer)



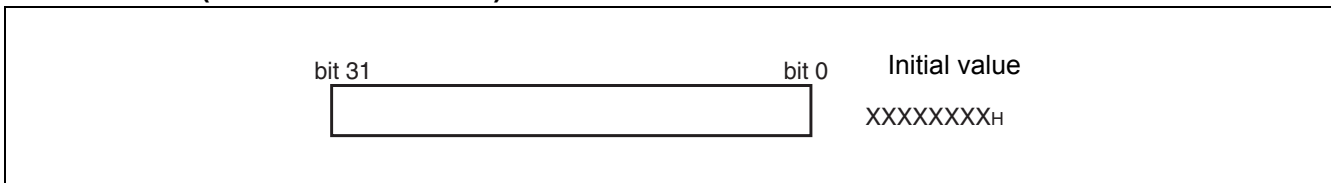
The return pointer stores the address for return from subroutines.

During execution of a CALL instruction, the PC value is transferred to this RP register.

During execution of a RET instruction, the contents of the RP register are transferred to PC.

The initial value at reset is undefined.

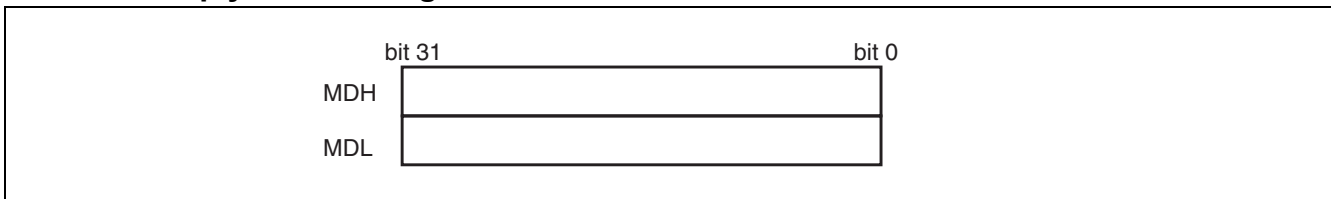
8.4.9 USP (User Stack Pointer)



The user stack pointer, when the S flag is “1”, this register functions as the R15 register.

- The USP register can also be explicitly specified.
The initial value at reset is undefined.
- This register cannot be used with RETI instructions.

8.4.10 Multiply & divide registers



These registers are for multiplication and division, and are each 32 bits in length.

The initial value at reset is undefined.

9. Embedded Program/Data Memory (Flash)

9.1 Flash features

- MB91F469Gx: 2112 Kbytes (32 · 64 Kbytes + 8 · 8 Kbytes = 16.5 Mbits)
- Programmable wait state for read/write access
- Flash and Boot security with security vector at 0x0024:8000 - 0x0024:800F
- Boot security
- Basic specification: Same as MBM29LV400TC (except size and part of sector configuration)

9.2 Operation modes

9.2.1 64-bit CPU mode:

- CPU reads and executes programs in word (32-bit) length units.
- Flash writing is not possible.
- Actual Flash Memory access is performed in d-word (64-bit) length units.

9.2.2 32-bit CPU mode :

- CPU reads and executes programs in word (32-bit) length units.
- Actual Flash Memory access is performed in word (32-bit) length units.

9.2.3 16-bit CPU mode :

- CPU reads and writes in half-word (16-bit) length units.
- Program execution from the Flash is not possible.
- Actual Flash Memory access is performed in half-word (16-bit) length units.

Note: The operation mode of the flash memory can be selected using a Boot-ROM function. The function start address is 0xBF60. The parameter description is given in the Hardware Manual in chapter 54.6 "Flash Access Mode Switching".

9.3 Flash Access in CPU Mode

9.3.1 Flash configuration

9.3.1.1 Flash memory map MB91F469Gx

0024:FFFFh 0024:C000h	SA6 (8KB)	SA7 (8KB)	ROMS10					
0024:BFFFh 0024:8000h	SA4 (8KB)	SA5 (8KB)						
0024:7FFFh 0024:4000h	SA2 (8KB)	SA3 (8KB)						
0024:3FFFh 0024:0000h	SA0 (8KB)	SA1 (8KB)						
0023:FFFFh 0022:0000h	SA38 (64KB)	SA39 (64KB)	ROMS9					
0021:FFFFh 0020:0000h	SA36 (64KB)	SA37 (64KB)						
001F:FFFFh 001E:0000h	SA34 (64KB)	SA35 (64KB)	ROMS8					
001D:FFFFh 001C:0000h	SA32 (64KB)	SA33 (64KB)						
001B:FFFFh 001A:0000h	SA30 (64KB)	SA31 (64KB)	ROMS7					
0019:FFFFh 0018:0000h	SA28 (64KB)	SA29 (64KB)						
0017:FFFFh 0016:0000h	SA26 (64KB)	SA27 (64KB)	ROMS6					
0015:FFFFh 0014:0000h	SA24 (64KB)	SA25 (64KB)						
0013:FFFFh 0012:0000h	SA22 (64KB)	SA23 (64KB)	ROMS5					
0011:FFFFh 0010:0000h	SA20 (64KB)	SA21 (64KB)						
000F:FFFFh 000E:0000h	SA18 (64KB)	SA19 (64KB)	ROMS4					
000D:FFFFh 000C:0000h	SA16 (64KB)	SA17 (64KB)						
000B:FFFFh 000A:0000h	SA14 (64KB)	SA15 (64KB)	ROMS3					
0009:FFFFh 0008:0000h	SA12 (64KB)	SA13 (64KB)						
0007:FFFFh 0006:0000h	SA10 (64KB)	SA11 (64KB)	ROMS2					
0005:FFFFh 0004:0000h	SA8 (64KB)	SA9 (64KB)						
	addr+0	addr+1	addr+2	addr+3	addr+4	addr+5	addr+6	addr+7
16bit write mode	dat[31:16]		dat[15:0]		dat[31:16]		dat[15:0]	
32bit write mode	dat[31:0]				dat[31:0]			

9.3.2 Flash Access Timing Settings in CPU Mode

The following tables list all settings for a given maximum Core Frequency (through the setting of CLKB or maximum clock modulation) and voltage supplies for Flash read and write access.

9.3.2.1 Flash Read Timing Settings (Synchronous Read)

Core clock (CLKB)	ATD	ALEH	EQ	WEXH	WTC	Flash/Main supply voltage
to 24 MHz	0	0	0	-	1	1.9V ^[1]
to 48 MHz	0	0	1	-	2	1.9V ^[1]
to 100 MHz	1	1	3	-	4	1.9V ^[1]

9.3.2.2 Flash Write Timing Settings (Synchronous Write)

Core clock (CLKB)	ATD	ALEH	EQ	WEXH	WTC	Flash/Main supply voltage
to 16 MHz	0	-	-	0	3	1.9V ^{1]}
to 32 MHz	0	-	-	0	4	1.9V ^[1]
to 48 MHz	0	-	-	0	5	1.9V ^[1]
to 64 MHz	1	-	-	0	6	1.9V ^[1]
to 96 MHz	1	-	-	0	7	1.9V ^[1]
to 100 MHz	1	-	-	1	8	1.9V ^[1]

1. In order to enter this mode please set REGSEL_FLASHSEL=1 and REGSEL_MAINSEL=1.

9.3.3 Address mapping from CPU to parallel programming mode

The following tables show the calculation from CPU addresses to flash macro addresses which are used in parallel programming.

9.3.3.1 Address mapping MB91F469Gx

CPU Address (addr)	Condition	Flash sectors	FA (flash address) Calculation
24:0000h to 24:FFFFh	addr[2]==0	SA0, SA2, SA4, SA6 (8 Kbyte)	FA := addr - addr%00:4000h + (addr%00:4000h)/2 - (addr/2)%4 + addr%4 - 05:0000h
24:0000h to 24:FFFFh	addr[2]==1	SA1, SA3, SA5, SA7 (8 Kbyte)	FA := addr - addr%00:4000h + (addr%00:4000h)/2 - (addr/2)%4 + addr%4 - 05:0000h + 00:2000h
04:0000h to 23:FFFFh	addr[2]==0	SA8, SA10, SA12, SA14, SA16, SA18, SA20, SA22, SA24, SA26, SA28, SA30, SA32, SA34, SA36, SA38 (64 Kbyte)	FA := addr - addr%02:0000 + (addr%02:0000h)/2 - (addr/2)%4 + addr%4 + 1C:0000h
04:0000h to 23:FFFFh	addr[2]==1	SA9, SA11, SA13, SA15, SA17, SA19, SA21, SA23, SA25, SA27, SA29, SA31, SA33, SA35, SA37, SA39 (64 Kbyte)	FA := addr - addr%02:0000h + (addr%02:0000h)/2 - (addr/2)%4 + addr%4 + 1C:0000h + 01:0000h

Note: FA result is without 40:0000h offset for parallel Flash programming . Set offset by keeping FA[22] = 1 as described in section “Parallel Flash programming mode”.

9.4 Parallel Flash Programming Mode

9.4.1 Flash configuration in Parallel Flash Programming Mode

9.4.1.1 Parallel Flash programming mode (MD[2:0] = 111):

MB91F469Gx

FA[21:0]

003F:FFFFh 003F:0000h	SA39 (64KB)
003E:FFFFh 003E:0000h	SA38 (64KB)
003D:FFFFh 003D:0000h	SA37 (64KB)
003C:FFFFh 003C:0000h	SA36 (64KB)
003B:FFFFh 003B:0000h	SA35 (64KB)
003A:FFFFh 003A:0000h	SA34 (64KB)
0039:FFFFh 0039:0000h	SA33 (64KB)
0038:FFFFh 0038:0000h	SA32 (64KB)
0037:FFFFh 0037:0000h	SA31 (64KB)
0036:FFFFh 0036:0000h	SA30 (64KB)
0035:FFFFh 0035:0000h	SA29 (64KB)
0034:FFFFh 0034:0000h	SA28 (64KB)
0033:FFFFh 0033:0000h	SA27 (64KB)
0032:FFFFh 0032:0000h	SA26 (64KB)
0031:FFFFh 0031:0000h	SA25 (64KB)
0030:FFFFh 0030:0000h	SA24 (64KB)
002F:FFFFh 002F:0000h	SA23 (64KB)
002E:FFFFh 002E:0000h	SA22 (64KB)
002D:FFFFh 002D:0000h	SA21 (64KB)
002C:FFFFh 002C:0000h	SA20 (64KB)
002B:FFFFh 002B:0000h	SA19 (64KB)

002A:FFFFh 002A:0000h	SA18 (64KB)	
0029:FFFFh 0029:0000h	SA17 (64KB)	
0028:FFFFh 0028:0000h	SA16 (64KB)	
0027:FFFFh 0027:0000h	SA15 (64KB)	
0026:FFFFh 0026:0000h	SA14 (64KB)	
0025:FFFFh 0025:0000h	SA13 (64KB)	
0024:FFFFh 0024:0000h	SA12 (64KB)	
0023:FFFFh 0023:0000h	SA11 (64KB)	
0022:FFFFh 0022:0000h	SA10 (64KB)	
0021:FFFFh 0021:0000h	SA9 (64KB)	
0020:FFFFh 0020:0000h	SA8 (64KB)	
001F:FFFFh 001F:E000h	SA7 (8KB)	
001F:DFFFh 001F:C000h	SA6 (8KB)	
001F:BFFFh 001F:A000h	SA5 (8KB)	
001F:9FFFh 001F:8000h	SA4 (8KB)	
001F:7FFFh 001F:6000h	SA3 (8KB)	
001F:5FFFh 001F:4000h	SA2 (8KB)	
001F:3FFFh 001F:2000h	SA1 (8KB)	
001F:1FFFh 001F:0000h	SA0 (8KB)	
	FA[1:0]=00	FA[1:0]=10
16bit write mod	DQ[15:0]	DQ[15:0]

Remark: Always keep FA[0] = 0 and FA[22] = 1

9.4.2 Pin Connections in Parallel Programming Mode

Resetting after setting the MD[2:0] pins to [111] will halt CPU functioning. At this time, the Flash memory's interface circuit enables direct control of the Flash memory unit from external pins by directly linking some of the signals to General Purpose Ports. Please see table below for signal mapping.

In this mode, the Flash memory appears to the external pins as a stand-alone unit. This mode is generally set when writing/erasing using the parallel Flash programmer. In this mode, all operations of the 16.5 Mbits Flash memory's Auto Algorithms are available.

Table 1. Correspondence between MBM29LV400TC and Flash Memory Control Signals

MBM29LV400TC External pins	FR-CPU mode	MB91F469Gx external pins			Comment
		Flash memory mode	Normal function	Pin number	
–	INITX	–	INITX	U16 (230)	
RESET	–	FRSTX	P00_6	Y12 (31)	
–	–	MD_2	MD_2	V15 (172)	Set to '1'
–	–	MD_1	MD_1	V16 (173)	Set to '1'
–	–	MD_0	MD_0	V17 (174)	Set to '1'
RY/BY	FMCS:RDY bit	RY/BYX	P00_0	W10 (102)	
BYTE	Internally fixed to 'H'	BYTEX	P00_2	U11 (225)	
WE	Internal control signal + control via interface circuit	WEX	P01_2	Y8 (27)	
OE		OEX	P01_1	W8 (100)	
CE		CEX	P01_0	V8 (165)	
–		ATDIN	P01_4	V9 (166)	Set to '0'
–		EQIN	P01_3	U9 (233)	Set to '0'
–		TESTX	P00_3	V11 (168)	Set to '1'
–		RDYI	P00_1	Y10 (29)	Set to '0'
A-1	Internal address bus	FA0	P14_6	A8 (70)	Set to '0'
A0 to A7		FA1 to FA8	P16_0 to P16_7	0: C8 (200) 1: A7(71), 2: B7(140), 3: C7(201), 4: D7(254), 5: A6(72), 6: B6(141), 7: C6(202)	

MBM29LV400TC External pins	FR-CPU mode	MB91F469Gx external pins			Comment
		Flash memory mode	Normal function	Pin number	
A8 to A15	Internal address bus	FA9 to FA16	P15_0 to P15_7	0: A5(73), 1: B5(142), 2: C5(203), 3: D5(256), 4: A4(74), 5: B4(143), 6: C4(204), 7: A3(75)	
A16 to A20		FA17 to FA21	P14_0 to P14_4	0: C10(198), 1: D10(251), 2: A9(69), 3: B9(138), 4: C9(199)	
–		FA22	P14_5	D9 (252)	Set to '1'
DQ0 to DQ7	Internal data bus	DQ0 to DQ7	P03_0 to P03_7	0: W3(95), 1: Y3(22), 2: V4(161), 3: W4(96), 4: Y4(23), 5: U5(219), 6: V5(162), 7: W5(97)	
DQ8 to DQ15		DQ8 to DQ15	P02_0 to P02_7	0: Y5(24), 1: V6(163), 2: W6(98), 3: Y6(25), 4: U7(221), 5: V7(164), 6: W7(99), 7: Y7(26)	

9.5 Power on Sequence in Parallel Programming Mode

The flash memory can be accessed in programming mode after a certain wait time, which is needed for Security Vector fetch:

- Minimum wait time after VDD5/VDD5R power on: 2.76 ms
- Minimum wait time after INITX rising: 1.0 ms

9.6 Flash Security

9.6.1 Vector addresses

Two Flash Security Vectors (FSV1, FSV2) are located parallel to the Boot Security Vectors (BSV1, BSV2) controlling the protection functions of the Flash Security Module:

FSV1: 0x24:8000 BSV1: 0x24:8004
 FSV2: 0x24:8008 BSV2: 0x24:800C

9.6.2 Security Vector FSV1

The setting of the Flash Security Vector FSV1 is responsible for the read and write protection modes and the individual write protection of the 8 Kbytes sectors.

9.6.2.1 FSV1 (bit31 to bit16)

The setting of the Flash Security Vector FSV1 bits [31:16] is responsible for the read and write protection modes.

Table 2. Explanation of the bits in the Flash Security Vector FSV1 [31:16]

FSV1[31:19]	FSV1[18] Write Protection Level	FSV1[17] Write Protection	FSV1[16] Read Protection	Flash Security Mode
set all to "0"	set to "0"	set to "0"	set to "1"	Read Protection (all device modes, except INTVEC mode MD[2:0] = "000")
set all to "0"	set to "0"	set to "1"	set to "0"	Write Protection (all device modes, without exception)
set all to "0"	set to "0"	set to "1"	set to "1"	Read Protection (all device modes, except INTVEC mode MD[2:0] = "000") and Write Protection (all device modes)
set all to "0"	set to "1"	set to "0"	set to "1"	Read Protection (all device modes, except INTVEC mode MD[2:0] = "000")
set all to "0"	set to "1"	set to "1"	set to "0"	Write Protection (all device modes, except INTVEC mode MD[2:0] = "000")
set all to "0"	set to "1"	set to "1"	set to "1"	Read Protection (all device modes, except INTVEC mode MD[2:0] = "000") and Write Protection (all device modes except INTVEC mode MD[2:0] = "000")

9.6.2.2 FSV1 (bit15 to bit0)

The setting of the Flash Security Vector FSV1 bits [15:0] is responsible for the individual write protection of the 8 Kbytes sectors. It is only evaluated if write protection bit FSV1[17] is set.

Table 3. Explanation of the bits in the Flash Security Vector FSV1 [15:0]

FSV1 bit	Sector	Enable Write Protection	Disable Write Protection	Comment
FSV1[0]	SA0	set to "0"	set to "1"	
FSV1[1]	SA1	set to "0"	set to "1"	
FSV1[2]	SA2	set to "0"	set to "1"	
FSV1[3]	SA3	set to "0"	set to "1"	
FSV1[4]	SA4	set to "0"	–	write protection is mandatory!
FSV1[5]	SA5	set to "0"	set to "1"	
FSV1[6]	SA6	set to "0"	set to "1"	
FSV1[7]	SA7	set to "0"	set to "1"	
FSV1[8]	–	set to "0"	set to "1"	not available
FSV1[9]	–	set to "0"	set to "1"	not available
FSV1[10]	–	set to "0"	set to "1"	not available
FSV1[11]	–	set to "0"	set to "1"	not available
FSV1[12]	–	set to "0"	set to "1"	not available
FSV1[13]	–	set to "0"	set to "1"	not available
FSV1[14]	–	set to "0"	set to "1"	not available
FSV1[15]	–	set to "0"	set to "1"	not available

Note: It is mandatory to always set the sector where the Flash Security Vectors FSV1 and FSV2 are located to write protected (here sector SA4). Otherwise it is possible to overwrite the Security Vector to a setting where it is possible to either read out the Flash content or manipulate data by writing. See section "Flash access in CPU mode" for an overview about the sector organization of the Flash Memory.

9.6.3 Security Vector FSV2

The setting of the Flash Security Vector FSV2 bits [31:0] is responsible for the individual write protection of the 64 Kbytes sectors. It is only evaluated if write protection bit FSV1 [17] is set.

Table 4. Explanation of the bits in the Flash Security Vector FSV2[31:0]

FSV2 bit	Sector	Enable Write Protection	Disable Write Protection	Comment
FSV2[0]	SA8	set to "0"	set to "1"	
FSV2[1]	SA9	set to "0"	set to "1"	
FSV2[2]	SA10	set to "0"	set to "1"	
FSV2[3]	SA11	set to "0"	set to "1"	
FSV2[4]	SA12	set to "0"	set to "1"	
FSV2[5]	SA13	set to "0"	set to "1"	
FSV2[6]	SA14	set to "0"	set to "1"	
FSV2[7]	SA15	set to "0"	set to "1"	
FSV2[8]	SA16	set to "0"	set to "1"	
FSV2[9]	SA17	set to "0"	set to "1"	
FSV2[10]	SA18	set to "0"	set to "1"	
FSV2[11]	SA19	set to "0"	set to "1"	
FSV2[12]	SA20	set to "0"	set to "1"	
FSV2[13]	SA21	set to "0"	set to "1"	
FSV2[14]	SA22	set to "0"	set to "1"	
FSV2[15]	SA23	set to "0"	set to "1"	
FSV2[16]	SA24	set to "0"	set to "1"	
FSV2[17]	SA25	set to "0"	set to "1"	
FSV2[18]	SA26	set to "0"	set to "1"	
FSV2[19]	SA27	set to "0"	set to "1"	
FSV2[20]	SA28	set to "0"	set to "1"	
FSV2[21]	SA29	set to "0"	set to "1"	
FSV2[22]	SA30	set to "0"	set to "1"	
FSV2[23]	SA31	set to "0"	set to "1"	
FSV2[24]	SA32	set to "0"	set to "1"	
FSV2[25]	SA33	set to "0"	set to "1"	
FSV2[26]	SA34	set to "0"	set to "1"	
FSV2[27]	SA35	set to "0"	set to "1"	
FSV2[28]	SA36	set to "0"	set to "1"	
FSV2[29]	SA37	set to "0"	set to "1"	
FSV2[30]	SA38	set to "0"	set to "1"	
FSV2[31]	SA39	set to "0"	set to "1"	

Note: See section "Flash access in CPU mode" for an overview about the sector organization of the Flash Memory.

10. Memory Space

The FR family has 4 Gbytes of logical address space (2^{32} addresses) available to the CPU by linear access.

■ Direct addressing area

The following address space area is used for I/O.

This area is called direct addressing area, and the address of an operand can be specified directly in an instruction.

The size of directly addressable area depends on the length of the data being accessed as shown below.

Byte data access : 000_H to $0FF_H$

Half word access : 000_H to $1FF_H$

Word data access : 000_H to $3FF_H$

11. Memory Maps

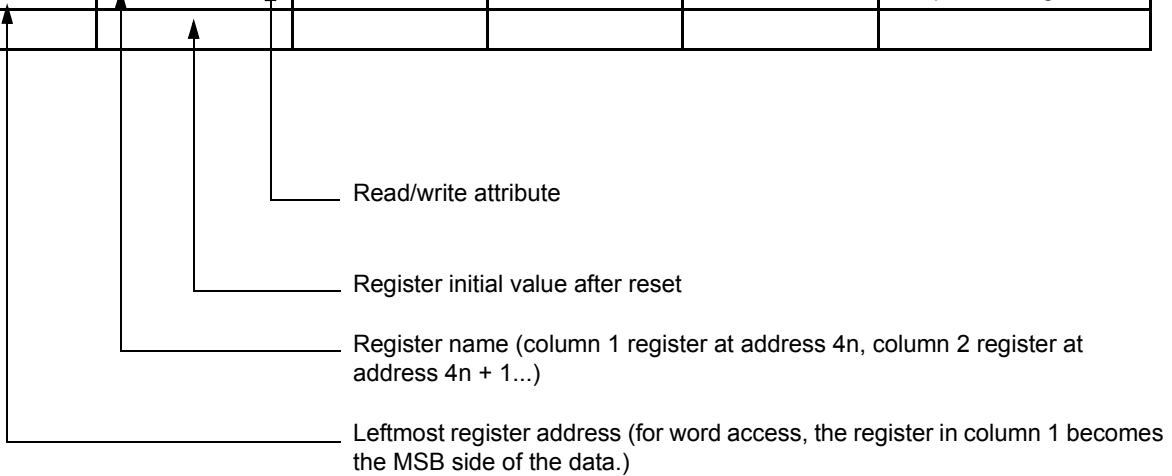
11.1 MB91F469Gx

MB91F469Gx	
00000000 _H	I/O (direct addressing area)
00000400 _H	I/O
00001000 _H	DMA
00002000 _H	Flash-Cache (16 KBytes)
00006000 _H	
00007000 _H	Flash memory control
00008000 _H	
0000B000 _H	Boot ROM (4 KBytes)
0000C000 _H	CAN
0000D000 _H	
00010000 _H	External Bus Cache (4 KBytes)
00020000 _H	D-RAM (0wait, 64 KBytes)
00030000 _H	ID-RAM (32 KBytes)
00038000 _H	
00040000 _H	Flash memory (2112 KBytes)
00250000 _H	
00280000 _H	External bus area
00500000 _H	External data bus
FFFFFFFF _H	Boot ROM (4 kB)
Note:	Access prohibited areas

12. I/O Map

12.1 MB91F469Gx

Address	Register				Block
	+ 0	+ 1	+ 2	+ 3	
000000 _H	PDR0 [R/W] XXXXXXXX	PDR1 [R/W] XXXXXXXX	PDR2 [R/W] XXXXXXXX	PDR3 [R/W] XXXXXXXX	T-unit port data register



Note: Initial values of register bits are represented as follows:

“ 1 ”: Initial value “ 1 ”

“ 0 ”: Initial value “ 0 ”

“ X ”: Initial value “ undefined ”

“ - ”: No physical register at this location

Access is barred with an undefined data access attribute.

Address	Register				Block
	+1	+2	+3	+4	
00000 _H	PDR00 [R/W] XXXXXXXX	PDR01 [R/W] XXXXXXXX	PDR02 [R/W] XXXXXXXX	PDR03 [R/W] XXXXXXXX	General Purpose IO Port Data Register
00004 _H	PDR04 [R/W] --- XXXX	PDR05 [R/W] XXXXXXXX	PDR06 [R/W] XXXXXXXX	PDR07 [R/W] XXXXXXXX	
00008 _H	PDR08 [R/W] XXXXXXXX	PDR09 [R/W] XXXXXXXX	PDR10 [R/W] - XXXXXX	PDR11 [R/W] ----- XX	
0000C _H	Reserved	PDR13 [R/W] XXXXXXXX	PDR14 [R/W] XXXXXXXX	PDR15 [R/W] XXXXXXXX	
00010 _H	PDR16 [R/W] XXXXXXXX	PDR17 [R/W] XXXXXXXX	PDR18 [R/W] - XXX - XXX	PDR19 [R/W] - XXX - XXX	
00014 _H	PDR20 [R/W] - XXX - XXX	PDR21 [R/W] - XXX - XXX	PDR22 [R/W] XXXXXXXX	PDR23 [R/W] XXXXXXXX	
00018 _H	PDR24 [R/W] XXXXXXXX	Reserved	PDR26 [R/W] XXXXXXXX	PDR27 [R/W] XXXXXXXX	
0001C _H	PDR28 [R/W] XXXXXXXX	PDR29 [R/W] XXXXXXXX	Reserved	Reserved	
00020 _H - 0002C _H	Reserved				Reserved
00030 _H	EIRR0 [R/W] XXXXXXXX	ENIR0 [R/W] 00000000	ELVR0 [R/W] 00000000 00000000		Ext. INT 0-7 NMI
00034 _H	EIRR1 [R/W] XXXXXXXX	ENIR1 [R/W] 00000000	ELVR1 [R/W] 00000000 00000000		Ext. INT 8-15
00038 _H	DICR [R/W] ----- 0	HRCL [R/W] 0 -- 11111	Reserved		DLYI/I-unit
0003C _H	Reserved				Reserved
00040 _H	SCR00 [R/W,W] 00000000	SMR00 [R/W,W] 00000000	SSR00 [R/W,R] 00001000	RDR00/TDR00 [R/W] 00000000	LIN-USART 0
00044 _H	ESCR00 [R/W] 00000X00	ECCR00 [R/W,R,W] -00000XX	Reserved		
00048 _H	SCR01 [R/W,W] 00000000	SMR01 [R/W,W] 00000000	SSR01 [R/W,R] 00001000	RDR01/TDR01 [R/W] 00000000	LIN-USART 1
0004C _H	ESCR01 [R/W] 00000X00	ECCR01 [R/W,R,W] -00000XX	Reserved		
00050 _H	SCR02 [R/W,W] 00000000	SMR02 [R/W,W] 00000000	SSR02 [R/W,R] 00001000	RDR02/TDR02 [R/W] 00000000	LIN-USART 2
00054 _H	ESCR02 [R/W] 00000X00	ECCR02 [R/W,R,W] -00000XX	Reserved		
00058 _H	SCR03[R/W,W] 00000000	SMR03 [R/W,W] 00000000	SSR03 [R/W,R] 00001000	RDR03/TDR02 [R/W] 00000000	LIN-USART 3
0005C _H	ESCR03 [R/W] 00000X00	ECCR03 [R/W,R,W] -00000XX	Reserved		

Address	Register				Block
	+1	+2	+3	+4	
000060 _H	SCR04 [R/W,W] 00000000	SMR04 [R/W,W] 00000000	SSR04 [R/W,R] 00001000	RDR04/TDR04 [R/W] 00000000	LIN-USART 4 with FIFO
000064 _H	ESCR04 [R/W] 00000X00	ECCR04 [R/W,R,W] -00000XX	FSR04 [R] - - - 00000	FCR04 [R/W] 0001 - 000	
000068 _H	SCR05 [R/W,W] 00000000	SMR05 [R/W,W] 00000000	SSR05 [R/W,R] 00001000	RDR05/TDR05 [R/W] 00000000	LIN-USART 5 with FIFO
00006C _H	ESCR05 [R/W] 00000X00	ECCR05 [R/W,R,W] -00000XX	FSR05 [R] - - - 00000	FCR05 [R/W] 0001 - 000	
000070 _H	SCR06 [R/W,W] 00000000	SMR06 [R/W,W] 00000000	SSR06 [R/W,R] 00001000	RDR06/TDR06 [R/W] 00000000	LIN-USART 6 with FIFO
000074 _H	ESCR06 [R/W] 00000X00	ECCR06 [R/W,R,W] -00000XX	FSR06 [R] - - - 00000	FCR06 [R/W] 0001 - 000	
000078 _H	SCR07 [R/W,W] 00000000	SMR07 [R/W,W] 00000000	SSR07 [R/W,R] 00001000	RDR07/TDR07 [R/W] 00000000	LIN-USART 7 with FIFO
00007C _H	ESCR07 [R/W] 00000X00	ECCR07 [R/W,R,W] -00000XX	FSR07 [R] - - - 00000	FCR07 [R/W] 0001 - 000	
000080 _H	BGR100 [R/W] 00000000	BGR000 [R/W] 00000000	BGR101 [R/W] 00000000	BGR001 [R/W] 00000000	Baudrate Generator LIN-USART 0-7
000084 _H	BGR102 [R/W] 00000000	BGR002 [R/W] 00000000	BGR103 [R/W] 00000000	BGR003 [R/W] 00000000	
000088 _H	BGR104 [R/W] 00000000	BGR004 [R/W] 00000000	BGR105 [R/W] 00000000	BGR005 [R/W] 00000000	
00008C _H	BGR106 [R/W] 00000000	BGR006 [R/W] 00000000	BGR107 [R/W] 00000000	BGR007 [R/W] 00000000	
000090 _H - 0000CC _H	Reserved				Reserved
0000D0 _H	IBCR0 [R/W] 00000000	IBSR0 [R] 00000000	ITBAH0 [R/W] - - - - - 00	ITBAL0 [R/W] 00000000	I ² C 0
0000D4 _H	ITMKH0 [R/W] 00 - - - - 11	ITMKL0 [R/W] 11111111	ISMK0 [R/W] 01111111	ISBA0 [R/W] - 0000000	
0000D8 _H	Reserved	IDAR0 [R/W] 00000000	ICCR0 [R/W] 00011111	Reserved	
0000DC _H	IBCR1 [R/W] 00000000	IBSR1 [R] 00000000	ITBAH1 [R/W] - - - - - 00	ITBAL1 [R/W] 00000000	I ² C 1
0000E0 _H	ITMKH1 [R/W] 00 - - - - 11	ITMKL1 [R/W] 11111111	ISMK1 [R/W] 01111111	ISBA1 [R/W] - 0000000	
0000E4 _H	Reserved	IDAR1 [R/W] 00000000	ICCR1 [R/W] 00011111	Reserved	
0000E8 _H - 0000FC _H	Reserved				Reserved
000100 _H	GCN10 [R/W] 00110010 00010000		Reserved	GCN20 [R/W] - - - - 0000	PPG Control 0-3

Register					
Address	+1	+2	+3	+4	Block
000104 _H	GCN11 [R/W] 00110010 00010000		Reserved	GCN21 [R/W] ---- 0000	PPG Control 4-7
000108 _H	GCN12 [R/W] 00110010 00010000		Reserved	GCN22 [R/W] ---- 0000	PPG Control 8-11
00010C _H	Reserved				Reserved
000110 _H	PTMR00 [R] 11111111 11111111		PCSR00 [W] XXXXXXXX XXXXXXXX		PPG 0
000114 _H	PDUT00 [W] XXXXXXXX XXXXXXXX		PCNH00 [R/W] 0000000 -	PCNL00 [R/W] 000000 - 0	
000118 _H	PTMR01 [R] 11111111 11111111		PCSR01 [W] XXXXXXXX XXXXXXXX		PPG 1
00011C _H	PDUT01 [W] XXXXXXXX XXXXXXXX		PCNH01 [R/W] 0000000 -	PCNL01 [R/W] 000000 - 0	
000120 _H	PTMR02 [R] 11111111 11111111		PCSR02 [W] XXXXXXXX XXXXXXXX		PPG 2
000124 _H	PDUT02 [W] XXXXXXXX XXXXXXXX		PCNH02 [R/W] 0000000 -	PCNL02 [R/W] 000000 - 0	
000128 _H	PTMR03 [R] 11111111 11111111		PCSR03 [W] XXXXXXXX XXXXXXXX		PPG 3
00012C _H	PDUT03 [W] XXXXXXXX XXXXXXXX		PCNH03 [R/W] 0000000 -	PCNL03 [R/W] 000000 - 0	
000130 _H	PTMR04 [R] 11111111 11111111		PCSR04 [W] XXXXXXXX XXXXXXXX		PPG 4
000134 _H	PDUT04 [W] XXXXXXXX XXXXXXXX		PCNH04 [R/W] 0000000 -	PCNL04 [R/W] 000000 - 0	
000138 _H	PTMR05 [R] 11111111 11111111		PCSR05 [W] XXXXXXXX XXXXXXXX		PPG 5
00013C _H	PDUT05 [W] XXXXXXXX XXXXXXXX		PCNH05 [R/W] 0000000 -	PCNL05 [R/W] 000000 - 0	
000140 _H	PTMR06 [R] 11111111 11111111		PCSR06 [W] XXXXXXXX XXXXXXXX		PPG 6
000144 _H	PDUT06 [W] XXXXXXXX XXXXXXXX		PCNH06 [R/W] 0000000 -	PCNL06 [R/W] 000000 - 0	
000148 _H	PTMR07 [R] 11111111 11111111		PCSR07 [W] XXXXXXXX XXXXXXXX		PPG 7
00014C _H	PDUT07 [W] XXXXXXXX XXXXXXXX		PCNH07 [R/W] 0000000 -	PCNL07 [R/W] 000000 - 0	
000150 _H	PTMR08 [R] 11111111 11111111		PCSR08 [W] XXXXXXXX XXXXXXXX		PPG 8
000154 _H	PDUT08 [W] XXXXXXXX XXXXXXXX		PCNH08 [R/W] 0000000 -	PCNL08 [R/W] 000000 - 0	
000158 _H	PTMR09 [R] 11111111 11111111		PCSR09 [W] XXXXXXXX XXXXXXXX		PPG 9
00015C _H	PDUT09 [W] XXXXXXXX XXXXXXXX		PCNH09 [R/W] 0000000 -	PCNL09 [R/W] 000000 - 0	

Address	Register				Block
	+1	+2	+3	+4	
000160 _H	PTMR10 [R] 11111111 11111111		PCSR10 [W] XXXXXXXX XXXXXXXX		PPG 10
000164 _H	PDUT10 [W] XXXXXXXX XXXXXXXX		PCNH10 [R/W] 0000000 -	PCNL10 [R/W] 000000 - 0	
000168 _H	PTMR11 [R] 11111111 11111111		PCSR11 [W] XXXXXXXX XXXXXXXX		PPG 11
00016C _H	PDUT11 [W] XXXXXXXX XXXXXXXX		PCNH11 [R/W] 0000000 -	PCNL11 [R/W] 000000 - 0	
000170 _H	P0TMCSRH [R/W] - 0 - 000 - 0	P0TMCSRL [R/W] - - - 00000	P1TMCSRH [R/W] - 0 - 000 - 0	P1TMCSRL [R/W] - - - 00000	Pulse Frequency Modulator
000174 _H	P0TMRLR [W] XXXXXXXX XXXXXXXX		P0TMR [R] XXXXXXXX XXXXXXXX		
000178 _H	P1TMRLR [W] XXXXXXXX XXXXXXXX		P1TMR [R] XXXXXXXX XXXXXXXX		
00017C _H	Reserved				Reserved
000180 _H	Reserved	ICS01 [R/W] 00000000	Reserved	ICS23 [R/W] 00000000	Input Capture 0-3
000184 _H	IPCP0 [R] XXXXXXXX XXXXXXXX		IPCP1 [R] XXXXXXXX XXXXXXXX		
000188 _H	IPCP2 [R] XXXXXXXX XXXXXXXX		IPCP3 [R] XXXXXXXX XXXXXXXX		
00018C _H	OCS01 [R/W] - - - 0 - - 00 0000 - - 00		OCS23 [R/W] - - - 0 - - 00 0000 - - 00		Output Compare 0-3
000190 _H	OCCP0 [R/W] XXXXXXXX XXXXXXXX		OCCP1 [R/W] XXXXXXXX XXXXXXXX		
000194 _H	OCCP2 [R/W] XXXXXXXX XXXXXXXX		OCCP3 [R/W] XXXXXXXX XXXXXXXX		
000198 _H	SGCRH [R/W] 0000 - - 00	SGCRL [R/W] - - 0 - - 000	SGFR [R/W, R] XXXXXXXX XXXXXXXX		Sound Generator
00019C _H	SGAR [R/W] 00000000	Reserved	SGTR [R/W] XXXXXXXX	SGDR [R/W] XXXXXXXX	
0001A0 _H	ADERH [R/W] 00000000 00000000		ADERL [R/W] 00000000 00000000		A/D Converter
0001A4 _H	ADCS1 [R/W] 00000000	ADCS0 [R/W] 00000000	ADCR1 [R] 000000XX	ADCR0 [R] XXXXXXXX	
0001A8 _H	ADCT1 [R/W] 00010000	ADCT0 [R/W] 00101100	ADSCH [R/W] - - - 00000	ADECH [R/W] - - - 00000	
0001AC _H	Reserved	ACSR0 [R/W] 011XXX00	Reserved	ACSR1 [R/W] 011XXX00	Alarm Comparator 0-1
0001B0 _H	TMRLRC0 [W] XXXXXXXX XXXXXXXX		TMRC0 [R] XXXXXXXX XXXXXXXX		Reload Timer 0 (PPG 0-1)
0001B4 _H	Reserved		TMCSRCH0 [R/W] - - - 00000	TMCSRCL0 [R/W] 0 - 000000	

Address	Register				Block
	+1	+2	+3	+4	
0001B8 _H	TMRLRC1 [W] XXXXXXXX XXXXXXXX		TMRC1 [R] XXXXXXXX XXXXXXXX		Reload Timer 1 (PPG 2-3)
0001BC _H	Reserved		TMCSRCH1 [R/W] --- 00000	TMCSRCL1 [R/W] 0 - 000000	
0001C0 _H	TMRLRC2 [W] XXXXXXXX XXXXXXXX		TMRC2 [R] XXXXXXXX XXXXXXXX		Reload Timer 2 (PPG 4-5)
0001C4 _H	Reserved		TMCSRCH2 [R/W] --- 00000	TMCSRCL2 [R/W] 0 - 000000	
0001C8 _H	TMRLRC3 [W] XXXXXXXX XXXXXXXX		TMRC3 [R] XXXXXXXX XXXXXXXX		Reload Timer 3 (PPG 6-7)
0001CC _H	Reserved		TMCSRCH3 [R/W] --- 00000	TMCSRCL3 [R/W] 0 - 000000	
0001D0 _H	TMRLRC4 [W] XXXXXXXX XXXXXXXX		TMRC4 [R] XXXXXXXX XXXXXXXX		Reload Timer 4 (PPG 8-9)
0001D4 _H	Reserved		TMCSRCH4 [R/W] --- 00000	TMCSRCL4 [R/W] 0 - 000000	
0001D8 _H	TMRLRC5 [W] XXXXXXXX XXXXXXXX		TMRC5 [R] XXXXXXXX XXXXXXXX		Reload Timer 5 (PPG 10-11)
0001DC _H	Reserved		TMCSRCH5 [R/W] --- 00000	TMCSRCL5 [R/W] 0 - 000000	
0001E0 _H	TMRLRC6 [W] XXXXXXXX XXXXXXXX		TMRC6 [R] XXXXXXXX XXXXXXXX		Reload Timer 6 (PPG 12-13)
0001E4 _H	Reserved		TMCSRCH6 [R/W] --- 00000	TMCSRCL6 [R/W] 0 - 000000	
0001E8 _H	TMRLRC7 [W] XXXXXXXX XXXXXXXX		TMRC7 [R] XXXXXXXX XXXXXXXX		Reload Timer 7 (PPG 14-15) (A/D Converter)
0001EC _H	Reserved		TMCSRCH7 [R/W] --- 00000	TMCSRCL7 [R/W] 0 - 000000	
0001F0 _H	TCDT0 [R/W] XXXXXXXX XXXXXXXX		Reserved	TCCS0 [R/W] 00000000	Free Running Timer 0 (ICU 0-1)
0001F4 _H	TCDT1 [R/W] XXXXXXXX XXXXXXXX		Reserved	TCCS1 [R/W] 00000000	Free Running Timer 1 (ICU 2-3)
0001F8 _H	TCDT2 [R/W] XXXXXXXX XXXXXXXX		Reserved	TCCS2 [R/W] 00000000	Free Running Timer 2 (OCU 0-1)
0001FC _H	TCDT3 [R/W] XXXXXXXX XXXXXXXX		Reserved	TCCS3 [R/W] 00000000	Free Running Timer 3 (OCU 2-3)

Register					
Address	+1	+2	+3	+4	Block
000200 _H	DMACA0 [R/W] 00000000 0000XXXX XXXXXXXX XXXXXXXX				DMAC 0
000204 _H	DMACB0 [R/W] 00000000 00000000 XXXXXXXX XXXXXXXX				
000208 _H	DMACA1 [R/W] 00000000 0000XXXX XXXXXXXX XXXXXXXX				DMAC 1
00020C _H	DMACB1 [R/W] 00000000 00000000 XXXXXXXX XXXXXXXX				
000210 _H	DMACA2 [R/W] 00000000 0000XXXX XXXXXXXX XXXXXXXX				DMAC 2
000214 _H	DMACB2 [R/W] 00000000 00000000 XXXXXXXX XXXXXXXX				
000218 _H	DMACA3 [R/W] 00000000 0000XXXX XXXXXXXX XXXXXXXX				DMAC 3
00021C _H	DMACB3 [R/W] 00000000 00000000 XXXXXXXX XXXXXXXX				
000220 _H	DMACA4 [R/W] 00000000 0000XXXX XXXXXXXX XXXXXXXX				DMAC 4
000224 _H	DMACB4 [R/W] 00000000 00000000 XXXXXXXX XXXXXXXX				
000228 _H - 00023C _H	Reserved				Reserved
000240 _H	DMACR [R/W] 00 - - 0000	Reserved			DMAC Control
000244 _H - 0002CC _H	Reserved				Reserved
0002D0 _H	Reserved	ICS45 [R/W] 00000000	Reserved	ICS67 [R/W] 00000000	Input Capture 4-7
0002D4 _H	IPCP4 [R] XXXXXXXX XXXXXXXX		IPCP5 [R] XXXXXXXX XXXXXXXX		
0002D8 _H	IPCP6 [R] XXXXXXXX XXXXXXXX		IPCP7 [R] XXXXXXXX XXXXXXXX		
0002DC _H	OCS45 [R/W] -- -0 - -00 0000 - -00		OCS67 [R/W] -- -0 - -00 0000 - -00		Output Compare 4-7
0002E0 _H	OCCP4 [R/W] XXXXXXXX XXXXXXXX		OCCP5 [R/W] XXXXXXXX XXXXXXXX		
0002E4 _H	OCCP6 [R/W] XXXXXXXX XXXXXXXX		OCCP7 [R/W] XXXXXXXX XXXXXXXX		
0002E8 _H - 0002EC _H	Reserved				Reserved
0002F0 _H	TCDT4 [R/W] XXXXXXXX XXXXXXXX		Reserved	TCCS4 [R/W] 00000000	Free Running Timer 4 (ICU 4-5)
0002F4 _H	TCDT5 [R/W] XXXXXXXX XXXXXXXX		Reserved	TCCS5 [R/W] 00000000	Free Running Timer 5 (ICU 6-7)

Register					
Address	+1	+2	+3	+4	Block
0002F8 _H	TCDT6 [R/W] XXXXXXXX XXXXXXXX		Reserved	TCCS6 [R/W] 00000000	Free Running Timer 6 (OCU 4-5)
0002FC _H	TCDT7 [R/W] XXXXXXXX XXXXXXXX		Reserved	TCCS7 [R/W] 00000000	Free Running Timer 7 (OCU 6-7)
000300 _H	UDRC1 [W] 00000000	UDRC0 [W] 00000000	UDCR1 [R] 00000000	UDCR0 [R] 00000000	Up/Down Counter 0-1
000304 _H	UDCCH0 [R/W] 00000000	UDCCL0 [R/W] 00001000	Reserved	UDCS0 [R/W] 00000000	
000308 _H	UDCCH1 [R/W] 00000000	UDCCL1 [R/W] 00001000	Reserved	UDCS1 [R/W] 00000000	
00030C _H	Reserved				Reserved
000310 _H	UDRC3 [W] 00000000	UDRC2 [W] 00000000	UDCR3 [R] 00000000	UDCR2 [R] 00000000	Up/Down Counter 2-3
000314 _H	UDCCH2 [R/W] 00000000	UDCCL2 [R/W] 00001000	Reserved	UDCS2 [R/W] 00000000	
000318 _H	UDCCH3 [R/W] 00000000	UDCCL3 [R/W] 00001000	Reserved	UDCS3 [R/W] 00000000	
00031C _H	Reserved				Reserved
000320 _H	GCN13 [R/W] 00110010 00010000		Reserved	GCN23 [R/W] ---- 0000	PPG Control 12-15
000324 _H - 00032C _H	Reserved				Reserved
000330 _H	PTMR12 [R] 11111111 11111111		PCSR12 [W] XXXXXXXX XXXXXXXX		PPG 12
000334 _H	PDUT12 [W] XXXXXXXX XXXXXXXX		PCNH12 [R/W] 0000000 -	PCNL12 [R/W] 000000 - 0	
000338 _H	PTMR13 [R] 11111111 11111111		PCSR13 [W] XXXXXXXX XXXXXXXX		PPG 13
00033C _H	PDUT13 [W] XXXXXXXX XXXXXXXX		PCNH13 [R/W] 0000000 -	PCNL13 [R/W] 000000 - 0	
000340 _H	PTMR14 [R] 11111111 11111111		PCSR14 [W] XXXXXXXX XXXXXXXX		PPG 14
000344 _H	PDUT14 [W] XXXXXXXX XXXXXXXX		PCNH14 [R/W] 0000000 -	PCNL14 [R/W] 000000 - 0	
000348 _H	PTMR15 [R] 11111111 11111111		PCSR15 [W] XXXXXXXX XXXXXXXX		PPG 15
00034C _H	PDUT15 [W] XXXXXXXX XXXXXXXX		PCNH15 [R/W] 0000000 -	PCNL15 [R/W] 000000 - 0	
000350 _H - 000364 _H	Reserved				Reserved

Address	Register				Block
	+1	+2	+3	+4	
000368 _H	IBCR2 [R/W] 00000000	IBSR2 [R] 00000000	ITBAH2 [R/W] ----- 00	ITBAL2 [R/W] 00000000	I ² C 2
00036C _H	ITMKH2 [R/W] 00 ---- 11	ITMKL2 [R/W] 11111111	ISMK2 [R/W] 01111111	ISBA2 [R/W] - 0000000	
000370 _H	Reserved	IDAR2 [R/W] 00000000	ICCR2 [R/W] 00011111	Reserved	
000374 _H	IBCR3 [R/W] 00000000	IBSR3 [R] 00000000	ITBAH3 [R/W] ----- 00	ITBAL3 [R/W] 00000000	I ² C 3
000378 _H	ITMKH3 [R/W] 00 ---- 11	ITMKL3 [R/W] 11111111	ISMK3 [R/W] 01111111	ISBA3 [R/W] - 0000000	
00037C _H	Reserved	IDAR3 [R/W] 00000000	ICCR3 [R/W] 00011111	Reserved	
000380 _H - 00038C _H	Reserved				Reserved
000390 _H	ROMS [R] 11111000 00000000		Reserved		ROM Select register
000394 _H - 0003BC _H	Reserved				Reserved
0003C0 _H	Reserved				I-Cache
0003C4 _H	Reserved			ISIZE [R/W] ----- 10	
0003C8 _H - 0003E0 _H	Reserved				Reserved
0003E4 _H	Reserved			ICHCR [R/W] 0 - 000000	I-Cache
0003E8 _H - 0003EC _H	Reserved				Reserved
0003F0 _H	BSD0 [W] XXXXXXXX XXXXXXXX XXXXXXXX XXXXXXXX				Bit Search Module
0003F4 _H	BSD1 [R/W] XXXXXXXX XXXXXXXX XXXXXXXX XXXXXXXX				
0003F8 _H	BSDC [W] XXXXXXXX XXXXXXXX XXXXXXXX XXXXXXXX				
0003FC _H	BSRR [R] XXXXXXXX XXXXXXXX XXXXXXXX XXXXXXXX				
000400 _H - 00043C _H	Reserved				Reserved

Address	Register				Block
	+1	+2	+3	+4	
000440 _H	ICR00 [R/W] --- 11111	ICR01 [R/W] --- 11111	ICR02 [R/W] --- 11111	ICR03 [R/W] --- 11111	Interrupt Control register
000444 _H	ICR04 [R/W] --- 11111	ICR05 [R/W] --- 11111	ICR06 [R/W] --- 11111	ICR07 [R/W] --- 11111	
000448 _H	ICR08 [R/W] --- 11111	ICR09 [R/W] --- 11111	ICR10 [R/W] --- 11111	ICR11 [R/W] --- 11111	
00044C _H	ICR12 [R/W] --- 11111	ICR13 [R/W] --- 11111	ICR14 [R/W] --- 11111	ICR15 [R/W] --- 11111	
000450 _H	ICR16 [R/W] --- 11111	ICR17 [R/W] --- 11111	ICR18 [R/W] --- 11111	ICR19 [R/W] --- 11111	
000454 _H	ICR20 [R/W] --- 11111	ICR21 [R/W] --- 11111	ICR22 [R/W] --- 11111	ICR23 [R/W] --- 11111	
000458 _H	ICR24 [R/W] --- 11111	ICR25 [R/W] --- 11111	ICR26 [R/W] --- 11111	ICR27 [R/W] --- 11111	
00045C _H	ICR28 [R/W] --- 11111	ICR29 [R/W] --- 11111	ICR30 [R/W] --- 11111	ICR31 [R/W] --- 11111	
000460 _H	ICR32 [R/W] --- 11111	ICR33 [R/W] --- 11111	ICR34 [R/W] --- 11111	ICR35 [R/W] --- 11111	
000464 _H	ICR36 [R/W] --- 11111	ICR37 [R/W] --- 11111	ICR38 [R/W] --- 11111	ICR39 [R/W] --- 11111	
000468 _H	ICR40 [R/W] --- 11111	ICR41 [R/W] --- 11111	ICR42 [R/W] --- 11111	ICR43 [R/W] --- 11111	
00046C _H	ICR44 [R/W] --- 11111	ICR45 [R/W] --- 11111	ICR46 [R/W] --- 11111	ICR47 [R/W] --- 11111	
000470 _H	ICR48 [R/W] --- 11111	ICR49 [R/W] --- 11111	ICR50 [R/W] --- 11111	ICR51 [R/W] --- 11111	
000474 _H	ICR52 [R/W] --- 11111	ICR53 [R/W] --- 11111	ICR54 [R/W] --- 11111	ICR55 [R/W] --- 11111	
000478 _H	ICR56 [R/W] --- 11111	ICR57 [R/W] --- 11111	ICR58 [R/W] --- 11111	ICR59 [R/W] --- 11111	
00047C _H	ICR60 [R/W] --- 11111	ICR61 [R/W] --- 11111	ICR62 [R/W] --- 11111	ICR63 [R/W] --- 11111	
000480 _H	RSRR [R/W] 10000000	STCR [R/W] 00110011	TBCR [R/W] 00XXX – 00	CTBR [W] XXXXXXXX	Clock Control Unit
000484 _H	CLKR [R/W] ---- 0000	WPR [W] XXXXXXXX	DIVR0 [R/W] 00000011	DIVR1 [R/W] 00000000	
000488 _H	Reserved				Reserved
00048C _H	PLLDIVM [R/W] ---- 0000	PLLDIVN [R/W] -- 000000	PLLDIVG [R/W] ---- 0000	PLLMULG [W] 00000000	PLL Clock Gear Unit
000490 _H	PLLCTRL [R/W] ---- 0000	Reserved			
000494 _H	OSCC1 [R/W] ----- 010	OSCS1 [R/W] 00001111	OSCC2 [R/W] ----- 010	OSCS2 [R/W] 00001111	Main/Sub Oscillator Control
000498 _H	PORTEN [R/W] ----- 00	Reserved			Port Input Enable Control
00049C _H	Reserved				Reserved

Register					
Address	+1	+2	+3	+4	Block
0004A0 _H	Reserved	WTCER [R/W] -----00	WTCR [R/W] 00000000 000-00-0		Watchdog Timer
0004A4 _H	Reserved	WTBR [R/W] ---XXXXX XXXXXXXX XXXXXXXX			
0004A8 _H	WTHR [R/W] ---00000	WTMR [R/W] --000000	WTSR [R/W] --000000	Reserved	
0004AC _H	CSVTR [R/W] ---00010	CSVCR [R/W] 00011100	CSCFG [R/W] 0X000000	CMCFG [R/W] 00000000	Clock- Supervisor / Selector / Monitor
0004B0 _H	CUCR [R/W] -----0--00		CUTD [R/W] 10000000 00000000		Calibration Unit of Sub Oscillation
0004B4 _H	CUTR1 [R] -----00000000		CUTR2 [R] 00000000 00000000		
0004B8 _H	CMPR [R/W] --000010 11111101		Reserved	CMCR [R/W] -001--00	Clock Modulation
0004BC _H	CMT1 [R/W] 00000000 1---0000		CMT2 [R/W] --000000 --000000		
0004C0 _H	CANPRE [R/W] 0---0000	CANCKD [R/W] --000000 ¹	Reserved		CAN Clock Control
0004C4 _H	LVSEL [R/W] 00000101	LVDET [R/W] -000 0-00	HWWE [R/W] -----00	HWWD [R/W,W] 00011000	LV Detection / Hardware- Watchdog
0004C8 _H	OSCRH [R/W] 000--001	OSCRL [R/W] -----000	WPCRH [R/W] 000--000	WPCRL [R/W] -----00	Main-/Sub-Oscillation Stabilization Timer
0004CC _H	OSCCR [R/W] -----00	Reserved	REGSEL [R/W] --000100	REGCTR [R/W] ---X--00	Main- Oscillation Standby Control Main/ Sub Regulator Control
0004D0 _H - 00063C _H	Reserved				Reserved

Address	Register				Block
	+1	+2	+3	+4	
000640 _H	ASR0 [R/W] 00000000 00000000		ACR0 [R/W] 1111**00 00100000 ²		External Bus Unit
000644 _H	ASR1 [R/W] XXXXXXXX XXXXXXXX		ACR1 [R/W] XXXXXXXX XXXXXXXX		
000648 _H	ASR2 [R/W] XXXXXXXX XXXXXXXX		ACR2 [R/W] XXXXXXXX XXXXXXXX		
00064C _H	ASR3 [R/W] XXXXXXXX XXXXXXXX		ACR3 [R/W] XXXXXXXX XXXXXXXX		
000650 _H	ASR4 [R/W] XXXXXXXX XXXXXXXX		ACR4 [R/W] XXXXXXXX XXXXXXXX		
000654 _H	ASR5 [R/W] XXXXXXXX XXXXXXXX		ACR5 [R/W] XXXXXXXX XXXXXXXX		
000658 _H	ASR6 [R/W] XXXXXXXX XXXXXXXX		ACR6 [R/W] XXXXXXXX XXXXXXXX		
00065C _H	ASR7 [R/W] XXXXXXXX XXXXXXXX		ACR7 [R/W] XXXXXXXX XXXXXXXX		
000660 _H	AWR0 [R/W] 01111111 11111011		AWR1 [R/W] XXXXXXXX XXXXXXXX		
000664 _H	AWR2 [R/W] XXXXXXXX XXXXXXXX		AWR3 [R/W] XXXXXXXX XXXXXXXX		
000668 _H	AWR4 [R/W] XXXXXXXX XXXXXXXX		AWR5 [R/W] XXXXXXXX XXXXXXXX		
00066C _H	AWR6 [R/W] XXXXXXXX XXXXXXXX		AWR7 [R/W] XXXXXXXX XXXXXXXX		
000670 _H	MCRA [R/W] XXXXXXXX	MCRB [R/W] XXXXXXXX	Reserved		
000674 _H	Reserved				
000678 _H	IOWR0 [R/W] XXXXXXXX	IOWR1 [R/W] XXXXXXXX	IOWR2 [R/W] XXXXXXXX	IOWR3 [R/W] XXXXXXXX	
00067C _H	Reserved				
000680 _H	CSER [R/W] 00000001	CHER [R/W] 11111111	Reserved	TCR [R/W] 0000**** ³	
000684 _H	RCRH [R/W] 00XXXXXX	RCRL [R/W] XXXX0XXX	Reserved		
000688 _H - 0007F8 _H	Reserved				Reserved
0007FC _H	Reserved	MODR [W] XXXXXXXX	Reserved		Mode Register
000800 _H - 000CFC _H	Reserved				Reserved

Address	Register				Block
	+1	+2	+3	+4	
000D00 _H	PDRD00 [R] XXXXXXXX	PDRD01 [R] XXXXXXXX	PDRD02 [R] XXXXXXXX	PDRD03 [R] XXXXXXXX	General IO Port Direct Read Data register
000D04 _H	PDRD04 [R] ---- XXXX	PDRD05 [R] XXXXXXXX	PDRD06 [R] XXXXXXXX	PDRD07 [R] XXXXXXXX	
000D08 _H	PDRD08 [R] XXXXXXXX	PDRD09 [R] XXXXXXXX	PDRD10 [R] - XXXXXX	PDRD11 [R] ----- XX	
000D0C _H	Reserved	PDRD13 [R] XXXXXXXX	PDRD14 [R] XXXXXXXX	PDRD15 [R] XXXXXXXX	
000D10 _H	PDRD16 [R] XXXXXXXX	PDRD17 [R] XXXXXXXX	PDRD18 [R] - XXX - XXX	PDRD19 [R] - XXX - XXX	
000D14 _H	PDRD20 [R] - XXX - XXX	PDRD21 [R] - XXX - XXX	PDRD22 [R] XXXXXXXX	PDRD23 [R] XXXXXXXX	
000D18 _H	PDRD24 [R] XXXXXXXX	Reserved	PDRD26 [R] XXXXXXXX	PDRD27 [R] XXXXXXXX	
000D1C _H	PDRD28 [R] XXXXXXXX	PDRD29 [R] XXXXXXXX	Reserved		
000D20 _H - 000D3C _H	Reserved				Reserved
000D40 _H	DDR00 [R/W] 00000000	DDR01 [R/W] 00000000	DDR02 [R/W] 00000000	DDR03 [R/W] 00000000	General IO Port Data Direction register
000D44 _H	DDR04 [R/W] ---- 0000	DDR05 [R/W] 00000000	DDR06 [R/W] 00000000	DDR07 [R/W] 00000000	
000D48 _H	DDR08 [R/W] 00000000	DDR09 [R/W] 00000000	DDR10 [R/W] - 0000000	DDR11 [R/W] ----- 00	
000D4C _H	Reserved	DDR13 [R/W] 00000000	DDR14 [R/W] 00000000	DDR15 [R/W] 00000000	
000D50 _H	DDR16 [R/W] 00000000	DDR17 [R/W] 00000000	DDR18 [R/W] - 000 - 000	DDR19 [R/W] - 000 - 000	
000D54 _H	DDR20 [R/W] - 000 - 000	DDR21 [R/W] - 000 - 000	DDR22 [R/W] 00000000	DDR23 [R/W] 00000000	
000D58 _H	DDR24 [R/W] 00000000	Reserved	DDR26 [R/W] 00000000	DDR27 [R/W] 00000000	
000D5C _H	DDR28 [R/W] 00000000	DDR29 [R/W] 00000000	Reserved		
000D60 _H - 000D7C _H	Reserved				Reserved

Address	Register				Block
	+1	+2	+3	+4	
000D80 _H	PFR00 [R/W] 11111111	PFR01 [R/W] 11111111	PFR02 [R/W] 11111111	PFR03 [R/W] 11111111	Port Function register
000D84 _H	PFR04 [R/W] ---- 1111	PFR05 [R/W] 11111111	PFR06 [R/W] 11111111	PFR07 [R/W] 11111111	
000D88 _H	PFR08 [R/W] 11111111	PFR09 [R/W] 11111111	PFR10 [R/W] - 1111111	PFR11 [R/W] ----- 00	
000D8C _H	Reserved	PFR13 [R/W] 00000000	PFR14 [R/W] 00000000	PFR15 [R/W] 00000000	
000D90 _H	PFR16 [R/W] 00000000	PFR17 [R/W] 00000000	PFR18 [R/W] - 000 - 000	PFR19 [R/W] - 000 - 000	
000D94 _H	PFR20 [R/W] - 000 - 000	PFR21 [R/W] - 000 - 000	PFR22 [R/W] 00000000	PFR23 [R/W] 00000000	
000D98 _H	PFR24 [R/W] 00000000	Reserved	PFR26 [R/W] 00000000	PFR27 [R/W] 00000000	
000D9C _H	PFR28 [R/W] 00000000	PFR29 [R/W] 00000000	Reserved		
000DA0 _H - 000DC4 _H	Reserved				Reserved
000DC8 _H	Reserved		EPFR10 [R/W] -- 00 --- 0	Reserved	Extended Port Function register
000DCC _H	Reserved	EPFR13 [R/W] - 0 --- 0 --	EPFR14 [R/W] 00000000	EPFR15 [R/W] 00000000	
000DD0 _H	EPFR16 [R/W] 0000 ----	Reserved	EPFR18 [R/W] - 000 - 000	EPFR19 [R/W] - 0 --- 0 --	
000DD4 _H	EPFR20 [R/W] - 000 - 000	EPFR21 [R/W] - 0 --- 0 --	Reserved		
000DD8 _H	Reserved		EPFR26 [R/W] 00000000	EPFR27 [R/W] 00000000	
000DDC _H - 000DFC _H	Reserved				Reserved
000E00 _H	PODR00 [R/W] 00000000	PODR01 [R/W] 00000000	PODR02 [R/W] 00000000	PODR03 [R/W] 00000000	Port Output Drive Strength control
000E04 _H	PODR04 [R/W] ---- 0000	PODR05 [R/W] 00000000	PODR06 [R/W] 00000000	PODR07 [R/W] 00000000	
000E08 _H	PODR08 [R/W] 00000000	PODR09 [R/W] 00000000	PODR10 [R/W] - 0000000	PODR11 [R/W] ----- 00	
000E0C _H	Reserved	PODR13 [R/W] 00000000	PODR14 [R/W] 00000000	PODR15 [R/W] 00000000	
000E10 _H	PODR16 [R/W] 00000000	PODR17 [R/W] 00000000	PODR18 [R/W] - 000 - 000	PODR19 [R/W] - 000 - 000	
000E14 _H	PODR20 [R/W] - 000 - 000	PODR21 [R/W] - 000 - 000	PODR22 [R/W] 00000000	PODR23 [R/W] 00000000	
000E18 _H	PODR24 [R/W] 00000000	Reserved	PODR26 [R/W] 00000000	PODR27 [R/W] 00000000	
000E1C _H	PODR28 [R/W] 00000000	PODR29 [R/W] 00000000	Reserved		

Address	Register				Block
	+1	+2	+3	+4	
000E20 _H - 000E3C _H	Reserved				Reserved
000E40 _H	PILR00 [R/W] 00000000	PILR01 [R/W] 00000000	PILR02 [R/W] 00000000	PILR03 [R/W] 00000000	Port Input Level selection register
000E44 _H	PILR04 [R/W] ---- 0000	PILR05 [R/W] 00000000	PILR06 [R/W] 00000000	PILR07 [R/W] 00000000	
000E48 _H	PILR08 [R/W] 00000000	PILR09 [R/W] 00000000	PILR10 [R/W] - 00000000	PILR11 [R/W] ----- 00	
000E4C _H	Reserved	PILR13 [R/W] 00000000	PILR14 [R/W] 00000000	PILR15 [R/W] 00000000	
000E50 _H	PILR16 [R/W] 00000000	PILR17 [R/W] 00000000	PILR18 [R/W] - 000 - 000	PILR19 [R/W] - 000 - 000	
000E54 _H	PILR20 [R/W] - 000 - 000	PILR21 [R/W] - 000 - 000	PILR22 [R/W] 00000000	PILR23 [R/W] 00000000	
000E58 _H	PILR24 [R/W] 00000000	Reserved	PILR26 [R/W] 00000000	PILR27 [R/W] 00000000	
000E5C _H	PILR28 [R/W] 00000000	PILR29 [R/W] 00000000	Reserved		
000E60 _H - 000E7C _H	Reserved				Reserved
000E80 _H	EPILR00 [R/W] 00000000	EPILR01 [R/W] 00000000	EPILR02 [R/W] 00000000	EPILR03 [R/W] 00000000	Extended Port Input Level selection register
000E84 _H	EPILR04 [R/W] ---- 0000	EPILR05 [R/W] 00000000	EPILR06 [R/W] 00000000	EPILR07 [R/W] 00000000	
000E88 _H	EPILR08 [R/W] 00000000	EPILR09 [R/W] 00000000	EPILR10 [R/W] - 00000000	EPILR11 [R/W] ----- 00	
000E8C _H	Reserved	EPILR13 [R/W] 00000000	EPILR14 [R/W] 00000000	EPILR15 [R/W] 00000000	
000E90 _H	EPILR16 [R/W] 00000000	EPILR17 [R/W] 00000000	EPILR18 [R/W] - 000 - 000	EPILR19 [R/W] - 000 - 000	
000E94 _H	EPILR20 [R/W] - 000 - 000	EPILR21 [R/W] - 000 - 000	EPILR22 [R/W] 00000000	EPILR23 [R/W] 00000000	
000E98 _H	EPILR24 [R/W] 00000000	Reserved	EPILR26 [R/W] 00000000	EPILR27 [R/W] 00000000	
000E9C _H	EPILR28 [R/W] 00000000	EPILR29 [R/W] 00000000	Reserved		
000EA0 _H - 000EBC _H	Reserved				Reserved

Address	Register				Block
	+1	+2	+3	+4	
000EC0 _H	PPER00 [R/W] 00000000	PPER01 [R/W] 00000000	PPER02 [R/W] 00000000	PPER03 [R/W] 00000000	Port Pull-Up/Down Enable register
000EC4 _H	PPER04 [R/W] ---- 0000	PPER05 [R/W] 00000000	PPER06 [R/W] 00000000	PPER07 [R/W] 00000000	
000EC8 _H	PPER08 [R/W] 00000000	PPER09 [R/W] 00000000	PPER10 [R/W] - 0000000	PPER11 [R/W] ----- 00	
000ECC _H	Reserved	PPER13 [R/W] 00000000	PPER14 [R/W] 00000000	PPER15 [R/W] 00000000	
000ED0 _H	PPER16 [R/W] 00000000	PPER17 [R/W] 00000000	PPER18 [R/W] - 000 - 000	PPER19 [R/W] - 000 - 000	
000ED4 _H	PPER20 [R/W] - 000 - 000	PPER21 [R/W] - 000 - 000	PPER22 [R/W] 00000000	PPER23 [R/W] 00000000	
000ED8 _H	PPER24 [R/W] 00000000	Reserved	PPER26 [R/W] 00000000	PPER27 [R/W] 00000000	
000EDC _H	PPER28 [R/W] 00000000	PPER29 [R/W] 00000000	Reserved		
000EE0 _H - 000EFC _H	Reserved				Reserved
000F00 _H	PPCR00 [R/W] 11111111	PPCR01 [R/W] 11111111	PPCR02 [R/W] 11111111	PPCR03 [R/W] 11111111	Port Pull-Up/Down Control register
000F04 _H	PPCR04 [R/W] ---- 1111	PPCR05 [R/W] 11111111	PPCR06 [R/W] 11111111	PPCR07 [R/W] 11111111	
000F08 _H	PPCR08 [R/W] 11111111	PPCR09 [R/W] 11111111	PPCR10 [R/W] - 1111111	PPCR11 [R/W] ----- 11	
000F0C _H	Reserved	PPCR13 [R/W] 11111111	PPCR14 [R/W] 11111111	PPCR15 [R/W] 11111111	
000F10 _H	PPCR16 [R/W] 11111111	PPCR17 [R/W] 11111111	PPCR18 [R/W] - 111 - 111	PPCR19 [R/W] - 111 - 111	
000F14 _H	PPCR20 [R/W] - 111 - 111	PPCR21 [R/W] - 111 - 111	PPCR22 [R/W] 11111111	PPCR23 [R/W] 11111111	
000F18 _H	PPCR24 [R/W] 11111111	Reserved	PPCR26 [R/W] 11111111	PPCR27 [R/W] 11111111	
000F1C _H	PPCR28 [R/W] 11111111	PPCR29 [R/W] 11111111	Reserved		
000F20 _H - 000FFC _H	Reserved				Reserved

Address	Register				Block
	+1	+2	+3	+4	
001000 _H	DMASA0 [R/W] XXXXXXXX XXXXXXXX XXXXXXXX XXXXXXXX				DMAC
001004 _H	DMADA0 [R/W] XXXXXXXX XXXXXXXX XXXXXXXX XXXXXXXX				
001008 _H	DMASA1 [R/W] XXXXXXXX XXXXXXXX XXXXXXXX XXXXXXXX				
00100C _H	DMADA1 [R/W] XXXXXXXX XXXXXXXX XXXXXXXX XXXXXXXX				
001010 _H	DMASA2 [R/W] XXXXXXXX XXXXXXXX XXXXXXXX XXXXXXXX				
001014 _H	DMADA2 [R/W] XXXXXXXX XXXXXXXX XXXXXXXX XXXXXXXX				
001018 _H	DMASA3 [R/W] XXXXXXXX XXXXXXXX XXXXXXXX XXXXXXXX				
00101C _H	DMADA3 [R/W] XXXXXXXX XXXXXXXX XXXXXXXX XXXXXXXX				
001020 _H	DMASA4 [R/W] XXXXXXXX XXXXXXXX XXXXXXXX XXXXXXXX				
001024 _H	DMADA4 [R/W] XXXXXXXX XXXXXXXX XXXXXXXX XXXXXXXX				
001028 _H - 01FFC _H	Reserved				Reserved
002000 _H - 005FFC _H	MB91F469Gx Instruction RAM/Flash Cache size is 16KB				Instruction RAM/Flash Cache
006000 _H - 006FFC _H	Reserved				Reserved
007000 _H	FMCS [R/W] 01101000	FMCR [R] --- 00000	FCHCR [R/W] ----- 00 10000011		Flash Memory/ F-Cache Control Register
007004 _H	FMWT [R/W] 11111111 11111111		FMWT2 [R] - 001 ----	FMPS [R/W] ----- 000	
007008 _H	FMAC [R] 00000000 00000000 00000000 00000000				
00700C _H	FCHA0 [R/W] ----- -- 000000 00000000 00000000				I-Cache Non-cacheable area setting Register
007010 _H	FCHA1 [R/W] ----- -- 000000 00000000 00000000				
007014 _H - 007FFC _H	Reserved				Reserved
008000 _H - 00BFFC _H	MB91F469Gx Boot-ROM size is 4 Kbytes (instruction access is 1 wait cycle, data access is 1 wait cycle)				Boot ROM

Address	Register				Block
	+1	+2	+3	+4	
00C00 _H	CTRLR0 [R/W] 00000000 00000001		STATR0 [R/W] 00000000 00000000		CAN 0 Control register
00C004 _H	ERRCNT0 [R] 00000000 00000000		BTR0 [R/W] 00100011 00000001		
00C008 _H	INTR0 [R] 00000000 00000000		TESTR0 [R/W] 00000000 X0000000		
00C00C _H	BRPE0 [R/W] 00000000 00000000		Reserved		
00C010 _H	IF1CREQ0 [R/W] 00000000 00000001		IF1CMSK0 [R/W] 00000000 00000000		CAN 0 IF 1 Register
00C014 _H	IF1MSK20 [R/W] 11111111 11111111		IF1MSK10 [R/W] 11111111 11111111		
00C018 _H	IF1ARB20 [R/W] 00000000 00000000		IF1ARB10 [R/W] 00000000 00000000		
00C01C _H	IF1MCTR0 [R/W] 00000000 00000000		Reserved		
00C020 _H	IF1DTA10 [R/W] 00000000 00000000		IF1DTA20 [R/W] 00000000 00000000		
00C024 _H	IF1DTB10 [R/W] 00000000 00000000		IF1DTB20 [R/W] 00000000 00000000		
00C028 _H - 00C02C _H	Reserved				Reserved
00C030 _H	IF1DTA20 [R/W] 00000000 00000000		IF1DTA10 [R/W] 00000000 00000000		CAN 0 IF 1 Register mirror
00C034 _H	IF1DTB20 [R/W] 00000000 00000000		IF1DTB10 [R/W] 00000000 00000000		
00C038 _H - 00C03C _H	Reserved				Reserved
00C040 _H	IF2CREQ0 [R/W] 00000000 00000001		IF2CMSK0 [R/W] 00000000 00000000		CAN 0 IF 2 Register
00C044 _H	IF2MSK20 [R/W] 11111111 11111111		IF2MSK10 [R/W] 11111111 11111111		
00C048 _H	IF2ARB20 [R/W] 00000000 00000000		IF2ARB10 [R/W] 00000000 00000000		
00C04C _H	IF2MCTR0 [R/W] 00000000 00000000		Reserved		
00C050 _H	IF2DTA10 [R/W] 00000000 00000000		IF2DTA20 [R/W] 00000000 00000000		
00C054 _H	IF2DTB10 [R/W] 00000000 00000000		IF2DTB20 [R/W] 00000000 00000000		
00C058 _H - 00C05C _H	Reserved				Reserved

Address	Register				Block
	+1	+2	+3	+4	
00C060 _H	IF2DTA20 [R/W] 00000000 00000000		IF2DTA10 [R/W] 00000000 00000000		CAN 0 IF 2 Register mirror
00C064 _H	IF2DTB20 [R/W] 00000000 00000000		IF2DTB10 [R/W] 00000000 00000000		
00C068 _H - 00C07C _H	Reserved				Reserved
00C080 _H	TREQR20 [R] 00000000 00000000		TREQR10 [R] 00000000 00000000		CAN 0 Status Flags
00C084 _H	TREQR40 [R] 00000000 00000000		TREQR30 [R] 00000000 00000000		
00C088 _H	TREQR60 [R] 00000000 00000000		TREQR50 [R] 00000000 00000000		
00C08C _H	TREQR80 [R] 00000000 00000000		TREQR70 [R] 00000000 00000000		
00C090 _H	NEWDT20 [R] 00000000 00000000		NEWDT10 [R] 00000000 00000000		
00C094 _H	NEWDT40 [R] 00000000 00000000		NEWDT30 [R] 00000000 00000000		
00C098 _H	NEWDT60 [R] 00000000 00000000		NEWDT50 [R] 00000000 00000000		
00C09C _H	NEWDT80 [R] 00000000 00000000		NEWDT70 [R] 00000000 00000000		
00C0A0 _H	INTPND20 [R] 00000000 00000000		INTPND10 [R] 00000000 00000000		
00C0A4 _H	INTPND40 [R] 00000000 00000000		INTPND30 [R] 00000000 00000000		
00C0A8 _H	INTPND60 [R] 00000000 00000000		INTPND50 [R] 00000000 00000000		
00C0AC _H	INTPND80 [R] 00000000 00000000		INTPND70 [R] 00000000 00000000		
00C0B0 _H	MSGVAL20 [R] 00000000 00000000		MSGVAL10 [R] 00000000 00000000		
00C0B4 _H	MSGVAL40 [R] 00000000 00000000		MSGVAL30 [R] 00000000 00000000		
00C0B8 _H	MSGVAL60 [R] 00000000 00000000		MSGVAL50 [R] 00000000 00000000		
00C0BC _H	MSGVAL80 [R] 00000000 00000000		MSGVAL70 [R] 00000000 00000000		
00C0C0 _H - 00C0FC _H	Reserved				Reserved

Address	Register				Block
	+1	+2	+3	+4	
00C100 _H	CTRLR1 [R/W] 00000000 00000001		STATR1 [R/W] 00000000 00000000		CAN 1 Control Register
00C104 _H	ERRCNT1 [R] 00000000 00000000		BTR1 [R/W] 00100011 00000001		
00C108 _H	INTR1 [R] 00000000 00000000		TESTR1 [R/W] 00000000 X0000000		
00C10C _H	BRPE1 [R/W] 00000000 00000000		Reserved		
00C110 _H	IF1CREQ1 [R/W] 00000000 00000001		IF1CMSK1 [R/W] 00000000 00000000		CAN 1 IF 1 Register
00C114 _H	IF1MSK21 [R/W] 11111111 11111111		IF1MSK11 [R/W] 11111111 11111111		
00C118 _H	IF1ARB21 [R/W] 00000000 00000000		IF1ARB11 [R/W] 00000000 00000000		
00C11C _H	IF1MCTR1 [R/W] 00000000 00000000		Reserved		
00C120 _H	IF1DTA11 [R/W] 00000000 00000000		IF1DTA21 [R/W] 00000000 00000000		
00C124 _H	IF1DTB11 [R/W] 00000000 00000000		IF1DTB21 [R/W] 00000000 00000000		
00C128 _H - 00C12C _H	Reserved				Reserved
00C130 _H	IF1DTA21 [R/W] 00000000 00000000		IF1DTA11 [R/W] 00000000 00000000		CAN 1 IF 1 Register mirror
00C134 _H	IF1DTB21 [R/W] 00000000 00000000		IF1DTB11 [R/W] 00000000 00000000		
00C138 _H - 00C13C _H	Reserved				Reserved
00C140 _H	IF2CREQ1 [R/W] 00000000 00000001		IF2CMSK1 [R/W] 00000000 00000000		CAN 1 IF 2 Register
00C144 _H	IF2MSK21 [R/W] 11111111 11111111		IF2MSK11 [R/W] 11111111 11111111		
00C148 _H	IF2ARB21 [R/W] 00000000 00000000		IF2ARB11 [R/W] 00000000 00000000		
00C14C _H	IF2MCTR1 [R/W] 00000000 00000000		Reserved		
00C150 _H	IF2DTA11 [R/W] 00000000 00000000		IF2DTA21 [R/W] 00000000 00000000		
00C154 _H	IF2DTB11 [R/W] 00000000 00000000		IF2DTB21 [R/W] 00000000 00000000		
00C158 _H - 00C15C _H	Reserved				Reserved

Address	Register				Block
	+1	+2	+3	+4	
00C160 _H	IF2DTA21 [R/W] 00000000 00000000		IF2DTA11 [R/W] 00000000 00000000		CAN 1 IF 2 Register mirror
00C164 _H	IF2DTB21 [R/W] 00000000 00000000		IF2DTB11 [R/W] 00000000 00000000		
00C168 _H - 00C17C _H	Reserved				Reserved
00C180 _H	TREQR21 [R] 00000000 00000000		TREQR11 [R] 00000000 00000000		CAN 1 Status Flags
00C184 _H	TREQR41 [R] 00000000 00000000		TREQR31 [R] 00000000 00000000		
00C188 _H	TREQR61 [R] 00000000 00000000		TREQR51 [R] 00000000 00000000		
00C18C _H	TREQR81 [R] 00000000 00000000		TREQR71 [R] 00000000 00000000		
00C190 _H	NEWDT21 [R] 00000000 00000000		NEWDT11 [R] 00000000 00000000		
00C194 _H	NEWDT41 [R] 00000000 00000000		NEWDT31 [R] 00000000 00000000		
00C198 _H	NEWDT61 [R] 00000000 00000000		NEWDT51 [R] 00000000 00000000		
00C19C _H	NEWDT81 [R] 00000000 00000000		NEWDT71 [R] 00000000 00000000		
00C1A0 _H	INTPND21 [R] 00000000 00000000		INTPND11 [R] 00000000 00000000		
00C1A4 _H	INTPND41 [R] 00000000 00000000		INTPND31 [R] 00000000 00000000		
00C1A8 _H	INTPND61 [R] 00000000 00000000		INTPND51 [R] 00000000 00000000		
00C1AC _H	INTPND81 [R] 00000000 00000000		INTPND71 [R] 00000000 00000000		
00C1B0 _H	MSGVAL21 [R] 00000000 00000000		MSGVAL11 [R] 00000000 00000000		
00C1B4 _H	MSGVAL41 [R] 00000000 00000000		MSGVAL31 [R] 00000000 00000000		
00C1B8 _H	MSGVAL61 [R] 00000000 00000000		MSGVAL51 [R] 00000000 00000000		
00C1BC _H	MSGVAL81 [R] 00000000 00000000		MSGVAL71 [R] 00000000 00000000		
00C1C0 _H - 00C1FC _H	Reserved				Reserved

Address	Register				Block
	+1	+2	+3	+4	
00C200 _H	CTRLR2 [R/W] 00000000 00000001		STATR2 [R/W] 00000000 00000000		CAN 2 Control Register
00C204 _H	ERRCNT2 [R] 00000000 00000000		BTR2 [R/W] 00100011 00000001		
00C208 _H	INTR2 [R] 00000000 00000000		TESTR2 [R/W] 00000000 X0000000		
00C20C _H	BRPE2 [R/W] 00000000 00000000		Reserved		
00C210 _H	IF1CREQ2 [R/W] 00000000 00000001		IF1CMSK2 [R/W] 00000000 00000000		CAN 2 IF 1 Register
00C214 _H	IF1MSK22 [R/W] 11111111 11111111		IF1MSK12 [R/W] 11111111 11111111		
00C218 _H	IF1ARB22 [R/W] 00000000 00000000		IF1ARB12 [R/W] 00000000 00000000		
00C21C _H	IF1MCTR2 [R/W] 00000000 00000000		Reserved		
00C220 _H	IF1DTA12 [R/W] 00000000 00000000		IF1DTA22 [R/W] 00000000 00000000		
00C224 _H	IF1DTB12 [R/W] 00000000 00000000		IF1DTB22 [R/W] 00000000 00000000		
00C228 _H - 00C22C _H	Reserved				Reserved
00C230 _H	IF1DTA22 [R/W] 00000000 00000000		IF1DTA12 [R/W] 00000000 00000000		CAN 2 IF 1 Register mirror
00C234 _H	IF1DTB22 [R/W] 00000000 00000000		IF1DTB12 [R/W] 00000000 00000000		
00C238 _H - 00C23C _H	Reserved				Reserved
00C240 _H	IF2CREQ2 [R/W] 00000000 00000001		IF2CMSK2 [R/W] 00000000 00000000		CAN 2 IF 2 Register
00C244 _H	IF2MSK22 [R/W] 11111111 11111111		IF2MSK12 [R/W] 11111111 11111111		
00C248 _H	IF2ARB22 [R/W] 00000000 00000000		IF2ARB12 [R/W] 00000000 00000000		
00C24C _H	IF2MCTR2 [R/W] 00000000 00000000		Reserved		
00C250 _H	IF2DTA12 [R/W] 00000000 00000000		IF2DTA22 [R/W] 00000000 00000000		
00C254 _H	IF2DTB12 [R/W] 00000000 00000000		IF2DTB22 [R/W] 00000000 00000000		
00C258 _H - 00C25C _H	Reserved				Reserved

Address	Register				Block
	+1	+2	+3	+4	
00C260 _H	IF2DTA22 [R/W] 00000000 00000000		IF2DTA12 [R/W] 00000000 00000000		CAN 2 IF 2 Register mirror
00C264 _H	IF2DTB22 [R/W] 00000000 00000000		IF2DTB12 [R/W] 00000000 00000000		
00C268 _H - 00C27C _H	Reserved				Reserved
00C280 _H	TREQR22 [R] 00000000 00000000		TREQR12 [R] 00000000 00000000		CAN 2 Status Flags
00C284 _H	TREQR42 [R] 00000000 00000000		TREQR32 [R] 00000000 00000000		
00C288 _H	TREQR62 [R] 00000000 00000000		TREQR52 [R] 00000000 00000000		
00C28C _H	TREQR82 [R] 00000000 00000000		TREQR72 [R] 00000000 00000000		
00C290 _H	NEWDT22 [R] 00000000 00000000		NEWDT12 [R] 00000000 00000000		
00C294 _H	NEWDT42 [R] 00000000 00000000		NEWDT32 [R] 00000000 00000000		
00C298 _H	NEWDT62 [R] 00000000 00000000		NEWDT52 [R] 00000000 00000000		
00C29C _H	NEWDT82 [R] 00000000 00000000		NEWDT72 [R] 00000000 00000000		
00C2A0 _H	INTPND22 [R] 00000000 00000000		INTPND12 [R] 00000000 00000000		
00C2A4 _H	INTPND42 [R] 00000000 00000000		INTPND32 [R] 00000000 00000000		
00C2A8 _H	INTPND62 [R] 00000000 00000000		INTPND52 [R] 00000000 00000000		
00C2AC _H	INTPND82 [R] 00000000 00000000		INTPND72 [R] 00000000 00000000		
00C2B0 _H	MSGVAL22 [R] 00000000 00000000		MSGVAL12 [R] 00000000 00000000		
00C2B4 _H	MSGVAL42 [R] 00000000 00000000		MSGVAL32 [R] 00000000 00000000		
00C2B8 _H	MSGVAL62 [R] 00000000 00000000		MSGVAL52 [R] 00000000 00000000		
00C2BC _H	MSGVAL82 [R] 00000000 00000000		MSGVAL72 [R] 00000000 00000000		
00C2C0 _H - 00C2FC _H	Reserved				Reserved

Address	Register				Block
	+1	+2	+3	+4	
00C300 _H	CTRLR3 [R/W] 00000000 00000001		STATR3 [R/W] 00000000 00000000		CAN 3 Control Register
00C304 _H	ERRCNT3 [R] 00000000 00000000		BTR3 [R/W] 00100011 00000001		
00C308 _H	INTR3 [R] 00000000 00000000		TESTR3 [R/W] 00000000 X0000000		
00C30C _H	BRPE3 [R/W] 00000000 00000000		Reserved		
00C310 _H	IF1CREQ3 [R/W] 00000000 00000001		IF1CMSK3 [R/W] 00000000 00000000		CAN 3 IF 1 Register
00C314 _H	IF1MSK23 [R/W] 11111111 11111111		IF1MSK13 [R/W] 11111111 11111111		
00C318 _H	IF1ARB23 [R/W] 00000000 00000000		IF1ARB13 [R/W] 00000000 00000000		
00C31C _H	IF1MCTR3 [R/W] 00000000 00000000		Reserved		
00C320 _H	IF1DTA13 [R/W] 00000000 00000000		IF1DTA23 [R/W] 00000000 00000000		
00C324 _H	IF1DTB13 [R/W] 00000000 00000000		IF1DTB23 [R/W] 00000000 00000000		
00C328 _H - 00C32C _H	Reserved				Reserved
00C330 _H	IF1DTA23 [R/W] 00000000 00000000		IF1DTA13 [R/W] 00000000 00000000		CAN 3 IF 1 Register mirror
00C334 _H	IF1DTB23 [R/W] 00000000 00000000		IF1DTB13 [R/W] 00000000 00000000		
00C338 _H - 00C33C _H	Reserved				Reserved
00C340 _H	IF2CREQ3 [R/W] 00000000 00000001		IF2CMSK3 [R/W] 00000000 00000000		CAN 3 IF 2 Register
00C344 _H	IF2MSK23 [R/W] 11111111 11111111		IF2MSK13 [R/W] 11111111 11111111		
00C348 _H	IF2ARB23 [R/W] 00000000 00000000		IF2ARB13 [R/W] 00000000 00000000		
00C34C _H	IF2MCTR3 [R/W] 00000000 00000000		Reserved		
00C350 _H	IF2DTA13 [R/W] 00000000 00000000		IF2DTA23 [R/W] 00000000 00000000		
00C354 _H	IF2DTB13 [R/W] 00000000 00000000		IF2DTB23 [R/W] 00000000 00000000		
00C358 _H - 00C35C _H	Reserved				Reserved

Address	Register				Block
	+1	+2	+3	+4	
00C360 _H	IF2DTA23 [R/W] 00000000 00000000		IF2DTA13 [R/W] 00000000 00000000		CAN 3 IF 2 Register mirror
00C364 _H	IF2DTB23 [R/W] 00000000 00000000		IF2DTB13 [R/W] 00000000 00000000		
00C368 _H - 00C37C _H	Reserved				Reserved
00C380 _H	TREQR23 [R] 00000000 00000000		TREQR13 [R] 00000000 00000000		CAN 3 Status Flags
00C384 _H	TREQR43 [R] 00000000 00000000		TREQR33 [R] 00000000 00000000		
00C388 _H	TREQR63 [R] 00000000 00000000		TREQR53 [R] 00000000 00000000		
00C38C _H	TREQR83 [R] 00000000 00000000		TREQR73 [R] 00000000 00000000		
00C390 _H	NEWDT23 [R] 00000000 00000000		NEWDT13 [R] 00000000 00000000		
00C394 _H	NEWDT43 [R] 00000000 00000000		NEWDT33 [R] 00000000 00000000		
00C398 _H	NEWDT63 [R] 00000000 00000000		NEWDT53 [R] 00000000 00000000		
00C39C _H	NEWDT83 [R] 00000000 00000000		NEWDT73 [R] 00000000 00000000		
00C3A0 _H	INTPND23 [R] 00000000 00000000		INTPND13 [R] 00000000 00000000		
00C3A4 _H	INTPND43 [R] 00000000 00000000		INTPND33 [R] 00000000 00000000		
00C3A8 _H	INTPND63 [R] 00000000 00000000		INTPND53 [R] 00000000 00000000		
00C3AC _H	INTPND83 [R] 00000000 00000000		INTPND73 [R] 00000000 00000000		
00C3B0 _H	MSGVAL23 [R] 00000000 00000000		MSGVAL13 [R] 00000000 00000000		
00C3B4 _H	MSGVAL43 [R] 00000000 00000000		MSGVAL33 [R] 00000000 00000000		
00C3B8 _H	MSGVAL63 [R] 00000000 00000000		MSGVAL53 [R] 00000000 00000000		
00C3BC _H	MSGVAL83 [R] 00000000 00000000		MSGVAL73 [R] 00000000 00000000		
00C3C0 _H - 00C3FC _H	Reserved				Reserved

Address	Register				Block
	+1	+2	+3	+4	
00C400 _H	CTRLR4 [R/W] 00000000 00000001		STATR4 [R/W] 00000000 00000000		CAN 4 Control Register
00C404 _H	ERRCNT4 [R] 00000000 00000000		BTR4 [R/W] 00100011 00000001		
00C408 _H	INTR4 [R] 00000000 00000000		TESTR4 [R/W] 00000000 X0000000		
00C40C _H	BRPE4 [R/W] 00000000 00000000		Reserved		
00C410 _H	IF1CREQ4 [R/W] 00000000 00000001		IF1CMSK4 [R/W] 00000000 00000000		CAN 4 IF 1 Register
00C414 _H	IF1MSK24 [R/W] 11111111 11111111		IF1MSK14 [R/W] 11111111 11111111		
00C418 _H	IF1ARB24 [R/W] 00000000 00000000		IF1ARB14 [R/W] 00000000 00000000		
00C41C _H	IF1MCTR4 [R/W] 00000000 00000000		Reserved		
00C420 _H	IF1DTA14 [R/W] 00000000 00000000		IF1DTA24 [R/W] 00000000 00000000		
00C424 _H	IF1DTB14 [R/W] 00000000 00000000		IF1DTB24 [R/W] 00000000 00000000		
00C428 _H - 00C42C _H	Reserved				Reserved
00C430 _H	IF1DTA24 [R/W] 00000000 00000000		IF1DTA14 [R/W] 00000000 00000000		CAN 4 IF 1 Register mirror
00C434 _H	IF1DTB24 [R/W] 00000000 00000000		IF1DTB14 [R/W] 00000000 00000000		
00C438 _H - 00C43C _H	Reserved				Reserved
00C440 _H	IF2CREQ4 [R/W] 00000000 00000001		IF2CMSK4 [R/W] 00000000 00000000		CAN 4 IF 2 Register
00C444 _H	IF2MSK24 [R/W] 11111111 11111111		IF2MSK14 [R/W] 11111111 11111111		
00C448 _H	IF2ARB24 [R/W] 00000000 00000000		IF2ARB14 [R/W] 00000000 00000000		
00C44C _H	IF2MCTR4 [R/W] 00000000 00000000		Reserved		
00C450 _H	IF2DTA14 [R/W] 00000000 00000000		IF2DTA24 [R/W] 00000000 00000000		
00C454 _H	IF2DTB14 [R/W] 00000000 00000000		IF2DTB24 [R/W] 00000000 00000000		
00C458 _H - 00C45C _H	Reserved				Reserved

Address	Register				Block
	+1	+2	+3	+4	
00C460 _H	IF2DTA24 [R/W] 00000000 00000000		IF2DTA14 [R/W] 00000000 00000000		CAN 4 IF 2 Register mirror
00C464 _H	IF2DTB24 [R/W] 00000000 00000000		IF2DTB14 [R/W] 00000000 00000000		
00C468 _H - 00C47C _H	Reserved				Reserved
00C480 _H	TREQR24 [R] 00000000 00000000		TREQR14 [R] 00000000 00000000		CAN 4 Status Flags
00C484 _H	TREQR44 [R] 00000000 00000000		TREQR34 [R] 00000000 00000000		
00C488 _H	TREQR64 [R] 00000000 00000000		TREQR54 [R] 00000000 00000000		
00C48C _H	TREQR84 [R] 00000000 00000000		TREQR74 [R] 00000000 00000000		
00C490 _H	NEWDT24 [R] 00000000 00000000		NEWDT14 [R] 00000000 00000000		
00C494 _H	NEWDT44 [R] 00000000 00000000		NEWDT34 [R] 00000000 00000000		
00C498 _H	NEWDT64 [R] 00000000 00000000		NEWDT54 [R] 00000000 00000000		
00C49C _H	NEWDT84 [R] 00000000 00000000		NEWDT74 [R] 00000000 00000000		
00C4A0 _H	INTPND24 [R] 00000000 00000000		INTPND14 [R] 00000000 00000000		
00C4A4 _H	INTPND44 [R] 00000000 00000000		INTPND34 [R] 00000000 00000000		
00C4A8 _H	INTPND64 [R] 00000000 00000000		INTPND54 [R] 00000000 00000000		
00C4AC _H	INTPND84 [R] 00000000 00000000		INTPND74 [R] 00000000 00000000		
00C4B0 _H	MSGVAL24 [R] 00000000 00000000		MSGVAL14 [R] 00000000 00000000		
00C4B4 _H	MSGVAL44 [R] 00000000 00000000		MSGVAL34 [R] 00000000 00000000		
00C4B8 _H	MSGVAL64 [R] 00000000 00000000		MSGVAL54 [R] 00000000 00000000		
00C4BC _H	MSGVAL84 [R] 00000000 00000000		MSGVAL74 [R] 00000000 00000000		
00C4C0 _H - 00C4FC _H	Reserved				Reserved

Address	Register				Block
	+1	+2	+3	+4	
00C500 _H	CTRLR5 [R/W] 00000000 00000001		STATR5 [R/W] 00000000 00000000		CAN 5 Control Register
00C504 _H	ERRCNT5 [R] 00000000 00000000		BTR5 [R/W] 00100011 00000001		
00C508 _H	INTR5 [R] 00000000 00000000		TESTR5 [R/W] 00000000 X0000000		
00C50C _H	BRPE5 [R/W] 00000000 00000000		Reserved		
00C510 _H	IF1CREQ5 [R/W] 00000000 00000001		IF1CMSK5 [R/W] 00000000 00000000		CAN 5 IF 1 Register
00C514 _H	IF1MSK25 [R/W] 11111111 11111111		IF1MSK15 [R/W] 11111111 11111111		
00C518 _H	IF1ARB25 [R/W] 00000000 00000000		IF1ARB15 [R/W] 00000000 00000000		
00C51C _H	IF1MCTR5 [R/W] 00000000 00000000		Reserved		
00C520 _H	IF1DTA15 [R/W] 00000000 00000000		IF1DTA25 [R/W] 00000000 00000000		
00C524 _H	IF1DTB15 [R/W] 00000000 00000000		IF1DTB25 [R/W] 00000000 00000000		
00C528 _H - 00C52C _H	Reserved				Reserved
00C530 _H	IF1DTA25 [R/W] 00000000 00000000		IF1DTA15 [R/W] 00000000 00000000		CAN 5 IF 1 Register mirror
00C534 _H	IF1DTB25 [R/W] 00000000 00000000		IF1DTB15 [R/W] 00000000 00000000		
00C538 _H - 00C53C _H	Reserved				Reserved
00C540 _H	IF2CREQ5 [R/W] 00000000 00000001		IF2CMSK5 [R/W] 00000000 00000000		CAN 5 IF 2 Register
00C544 _H	IF2MSK25 [R/W] 11111111 11111111		IF2MSK15 [R/W] 11111111 11111111		
00C548 _H	IF2ARB25 [R/W] 00000000 00000000		IF2ARB15 [R/W] 00000000 00000000		
00C54C _H	IF2MCTR5 [R/W] 00000000 00000000		Reserved		
00C550 _H	IF2DTA15 [R/W] 00000000 00000000		IF2DTA25 [R/W] 00000000 00000000		
00C554 _H	IF2DTB15 [R/W] 00000000 00000000		IF2DTB25 [R/W] 00000000 00000000		
00C558 _H - 00C55C _H	Reserved				Reserved

Address	Register				Block
	+1	+2	+3	+4	
00C560 _H	IF2DTA25 [R/W] 00000000 00000000		IF2DTA15 [R/W] 00000000 00000000		CAN 5 IF 2 Register mirror
00C564 _H	IF2DTB25 [R/W] 00000000 00000000		IF2DTB15 [R/W] 00000000 00000000		
00C568 _H - 00C57C _H	Reserved				Reserved
00C580 _H	TREQR25 [R] 00000000 00000000		TREQR15 [R] 00000000 00000000		CAN 5 Status Flags
00C584 _H	TREQR45 [R] 00000000 00000000		TREQR35 [R] 00000000 00000000		
00C588 _H	TREQR65 [R] 00000000 00000000		TREQR55 [R] 00000000 00000000		
00C58C _H	TREQR85 [R] 00000000 00000000		TREQR75 [R] 00000000 00000000		
00C590 _H	NEWDT25 [R] 00000000 00000000		NEWDT15 [R] 00000000 00000000		
00C594 _H	NEWDT45 [R] 00000000 00000000		NEWDT35 [R] 00000000 00000000		
00C598 _H	NEWDT65 [R] 00000000 00000000		NEWDT55 [R] 00000000 00000000		
00C59C _H	NEWDT85 [R] 00000000 00000000		NEWDT75 [R] 00000000 00000000		
00C5A0 _H	INTPND25 [R] 00000000 00000000		INTPND15 [R] 00000000 00000000		
00C5A4 _H	INTPND45 [R] 00000000 00000000		INTPND35 [R] 00000000 00000000		
00C5A8 _H	INTPND65 [R] 00000000 00000000		INTPND55 [R] 00000000 00000000		
00C5AC _H	INTPND85 [R] 00000000 00000000		INTPND75 [R] 00000000 00000000		
00C5B0 _H	MSGVAL25 [R] 00000000 00000000		MSGVAL15 [R] 00000000 00000000		
00C5B4 _H	MSGVAL45 [R] 00000000 00000000		MSGVAL35 [R] 00000000 00000000		
00C5B8 _H	MSGVAL65 [R] 00000000 00000000		MSGVAL55 [R] 00000000 00000000		
00C5BC _H	MSGVAL85 [R] 00000000 00000000		MSGVAL75 [R] 00000000 00000000		
00C5C0 _H - 00EFC _H	Reserved				Reserved

Address	Register				Block
	+1	+2	+3	+4	
00F00 _H	BCTRL [R/W] ----- 11111100 00000000				EDSU / MPU Control + IRQ
00F004 _H	BSTAT [R/W] ----- 000 00000000 10 -- 0000				
00F008 _H	BIAC [R] ----- 00000000 00000000				
00F00C _H	BOAC [R] ----- 00000000 00000000				
00F010 _H	BIRQ [R/W] ----- 00000000 00000000				
00F014 _H - 00F01C _H	Reserved				Reserved
00F020 _H	BCR0 [R/W] ----- 00000000 00000000 00000000				EDSU / MPU Control
00F024 _H	BCR1 [R/W] ----- 00000000 00000000 00000000				
00F028 _H	BCR2 [R/W] ----- 00000000 00000000 00000000				
00F02C _H	BCR3 [R/W] ----- 00000000 00000000 00000000				
00F030 _H - 00F07C _H	Reserved				Reserved
00F080 _H	BAD0 [R/W] XXXXXXXX XXXXXXXX XXXXXXXX XXXXXXXX				EDSU / MPU ch. 0
00F084 _H	BAD1 [R/W] XXXXXXXX XXXXXXXX XXXXXXXX XXXXXXXX				
00F088 _H	BAD2 [R/W] XXXXXXXX XXXXXXXX XXXXXXXX XXXXXXXX				
00F08C _H	BAD3 [R/W] XXXXXXXX XXXXXXXX XXXXXXXX XXXXXXXX				
00F090 _H	BAD4 [R/W] XXXXXXXX XXXXXXXX XXXXXXXX XXXXXXXX				EDSU / MPU ch. 1
00F094 _H	BAD5 [R/W] XXXXXXXX XXXXXXXX XXXXXXXX XXXXXXXX				
00F098 _H	BAD6 [R/W] XXXXXXXX XXXXXXXX XXXXXXXX XXXXXXXX				
00F09C _H	BAD7 [R/W] XXXXXXXX XXXXXXXX XXXXXXXX XXXXXXXX				
00F0A0 _H	BAD8 [R/W] XXXXXXXX XXXXXXXX XXXXXXXX XXXXXXXX				EDSU / MPU ch. 2
00F0A4 _H	BAD9 [R/W] XXXXXXXX XXXXXXXX XXXXXXXX XXXXXXXX				
00F0A8 _H	BAD10 [R/W] XXXXXXXX XXXXXXXX XXXXXXXX XXXXXXXX				
00F0AC _H	BAD11 [R/W] XXXXXXXX XXXXXXXX XXXXXXXX XXXXXXXX				

Address	Register				Block
	+1	+2	+3	+4	
00F0B0 _H	BAD12 [R/W] XXXXXXXX XXXXXXXX XXXXXXXX XXXXXXXX				EDSU / MPU ch. 3
00F0B4 _H	BAD13 [R/W] XXXXXXXX XXXXXXXX XXXXXXXX XXXXXXXX				
00F0B8 _H	BAD14 [R/W] XXXXXXXX XXXXXXXX XXXXXXXX XXXXXXXX				
00F0BC _H	BAD15 [R/W] XXXXXXXX XXXXXXXX XXXXXXXX XXXXXXXX				
00F0C0 _H - 00FFFC _H	Reserved				Reserved
010000 _H - 013FFC _H	Cache TAG way 1 (010000 _H - 0107FC _H)				2 Way Set Associative I-Cache 4 KB
014000 _H - 017FFC _H	Cache TAG way 2 (014000 _H - 0147FC _H)				
018000 _H - 01BFFC _H	Cache RAM way 1 (018000 _H - 0187FC _H)				
01C000 _H - 01FFFC _H	Cache RAM way 2 01C000 _H - 01C7FC _H)				
020000 _H - 02FFFC _H	MB91F469Gx D-RAM size is 64 KB (data access is 0 waitcycles)				Data-RAM
030000 _H - 037FFC _H	MB91F469Gx I-/D-RAM size is 32 KB (instruction access is 0 waitcycles, data access is 1 waitcycle)				Instruction/ Data RAM
380000 _H - 03FFFC _H	Reserved				

1. depends on the number of available CAN channels
2. ACR0[11:10] depends on bus width setting in Mode vector fetch information
3. TCR[3:0] INIT value = 0000, keeps value after RST

12.2 Flash Memory and External Bus Area

32bit read/write	dat[31:0]				dat[31:0]				
16bit read/write	dat[31:16]		dat[15:0]		dat[31:16]		dat[15:0]		
Address	Register								Block
	+ 0	+ 1	+ 2	+ 3	+ 4	+ 5	+ 6	+ 7	
040000 _H to 05FFFF _H	SA8 (64KB)				SA9 (64KB)				ROMS0
060000 _H to 07FFFF _H	SA10 (64KB)				SA11 (64KB)				ROMS1
080000 _H to 09FFFF _H	SA12 (64KB)				SA13 (64KB)				ROMS2
0A0000 _H to 0BFFFF _H	SA14 (64KB)				SA15 (64KB)				ROMS3
0C0000 _H to 0DFFFF _H	SA16 (64KB)				SA17 (64KB)				ROMS4
0E0000 _H to 0FFFF4 _H	SA18 (64KB)				SA19 (64KB)				ROMS5
0FFFF8 _H	FMV [R] 06 00 00 00 _H				FRV [R] 00 00 BF F8 _H				
100000 _H to 11FFFF _H	SA20 (64KB)				SA21 (64KB)				ROMS6
120000 _H to 13FFFF _H	SA22 (64KB)				SA23 (64KB)				
140000 _H to 15FFFF _H	SA24 (64KB)				SA25 (64KB)				ROMS7
160000 _H to 17FFFF _H	SA26 (64KB)				SA27 (64KB)				
180000 _H to 19FFFF _H	SA28 (64KB)				SA29 (64KB)				ROMS8
1A0000 _H to 1BFFFF _H	SA30 (64KB)				SA31 (64KB)				
1C0000 _H to 1DFFFF _H	SA32 (64KB)				SA33 (64KB)				ROMS9
1E0000 _H to 1FFFFF _H	SA34 (64KB)				SA35 (64KB)				

32bit read/write	dat[31:0]				dat[31:0]				
16bit read/write	dat[31:16]		dat[15:0]		dat[31:16]		dat[15:0]		
Address	Register								Block
	+ 0	+ 1	+ 2	+ 3	+ 4	+ 5	+ 6	+ 7	
20000 _H to 21FFFF _H	SA36 (64KB)				SA37 (64KB)				ROMS10
22000 _H to 23FFFF _H	SA38 (64KB)				SA39 (64KB)				
24000 _H to 243FFF _H	SA0 (8KB)				SA1 (8KB)				
24400 _H to 247FFF _H	SA2 (8KB)				SA3 (8KB)				
24800 _H to 24BFFF _H	SA4 (8KB)				SA5 (8KB)				
24C00 _H to 24FFFF _H	SA6 (8KB)				SA7 (8KB)				
25000 _H to 27FFFF _H	Reserved								
28000 _H to 2FFFF8 _H	External Bus Area								ROMS11
30000 _H to 37FFF8 _H									ROMS12
38000 _H to 3FFFF8 _H									ROMS13
40000 _H to 47FFF8 _H									ROMS14
48000 _H to 4FFFF8 _H									ROMS15

Note: Write operations to address 0FFFF8_H and 0FFFFC_H are not possible. When reading these addresses, the values shown above will be read.

13. Interrupt Vector Table

Interrupt	Interrupt number		Interrupt level [1]		Interrupt vector [2]		DMA Resource number
	Decimal	Hexa-decimal	Setting Register	Register address	Offset	Default Vector address	
Reset	0	00	–	–	3FC _H	000FFFFC _H	–
Mode vector	1	01	–	–	3F8 _H	000FFF8 _H	–
System Reserved	2	02	–	–	3F4 _H	000FFF4 _H	–
System Reserved	3	03	–	–	3F0 _H	000FFF0 _H	–
System Reserved	4	04	–	–	3EC _H	000FFFE _C	–
CPU supervisor mode (INT #5 instruction) [5]	5	05	–	–	3E8 _H	000FFE8 _H	–
Memory Protection exception [5]	6	06	–	–	3E4 _H	000FFE4 _H	–
System Reserved	7	07	–	–	3E0 _H	000FFE0 _H	–
System Reserved	8	08	–	–	3DC _H	000FFDC _H	–
System Reserved	9	09	–	–	3D8 _H	000FFD8 _H	–
System Reserved	10	0A	–	–	3D4 _H	000FFD4 _H	–
System Reserved	11	0B	–	–	3D0 _H	000FFD0 _H	–
System Reserved	12	0C	–	–	3CC _H	000FFCC _H	–
System Reserved	13	0D	–	–	3C8 _H	000FFC8 _H	–
Undefined instruction exception	14	0E	–	–	3C4 _H	000FFC4 _H	–
NMI request	15	0F	F _H fixed		3C0 _H	000FFC0 _H	–
External Interrupt 0	16	10	ICR00	440 _H	3BC _H	000FFBC _H	0, 16
External Interrupt 1	17	11			3B8 _H	000FFB8 _H	1, 17
External Interrupt 2	18	12	ICR01	441 _H	3B4 _H	000FFB4 _H	2, 18
External Interrupt 3	19	13			3B0 _H	000FFB0 _H	3, 19
External Interrupt 4	20	14	ICR02	442 _H	3AC _H	000FFAC _H	20
External Interrupt 5	21	15			3A8 _H	000FFA8 _H	21
External Interrupt 6	22	16	ICR03	443 _H	3A4 _H	000FFA4 _H	22
External Interrupt 7	23	17			3A0 _H	000FFA0 _H	23
External Interrupt 8	24	18	ICR04	444 _H	39C _H	000FF9C _H	–
External Interrupt 9	25	19			398 _H	000FF98 _H	–
External Interrupt 10	26	1A	ICR05	445 _H	394 _H	000FF94 _H	–
External Interrupt 11	27	1B			390 _H	000FF90 _H	–
External Interrupt 12	28	1C	ICR06	446 _H	38C _H	000FF8C _H	–
External Interrupt 13	29	1D			388 _H	000FF88 _H	–
External Interrupt 14	30	1E	ICR07	447 _H	384 _H	000FF84 _H	–
External Interrupt 15	31	1F			380 _H	000FF80 _H	–

Interrupt	Interrupt number		Interrupt level [1]		Interrupt vector [2]		DMA Resource number
	Decimal	Hexa-decimal	Setting Register	Register address	Offset	Default Vector address	
Reload Timer 0	32	20	ICR08	448 _H	37 _{C_H}	000FFF7C _H	4, 32
Reload Timer 1	33	21			378 _H	000FFF78 _H	5, 33
Reload Timer 2	34	22	ICR09	449 _H	374 _H	000FFF74 _H	34
Reload Timer 3	35	23			370 _H	000FFF70 _H	35
Reload Timer 4	36	24	ICR10	44A _H	36C _H	000FFF6C _H	36
Reload Timer 5	37	25			368 _H	000FFF68 _H	37
Reload Timer 6	38	26	ICR11	44B _H	364 _H	000FFF64 _H	38
Reload Timer 7	39	27			360 _H	000FFF60 _H	39
Free Run Timer 0	40	28	ICR12	44C _H	35C _H	000FFF5C _H	40
Free Run Timer 1	41	29			358 _H	000FFF58 _H	41
Free Run Timer 2	42	2A	ICR13	44D _H	354 _H	000FFF54 _H	42
Free Run Timer 3	43	2B			350 _H	000FFF50 _H	43
Free Run Timer 4	44	2C	ICR14	44E _H	34C _H	000FFF4C _H	44
Free Run Timer 5	45	2D			348 _H	000FFF48 _H	45
Free Run Timer 6	46	2E	ICR15	44F _H	344 _H	000FFF44 _H	46
Free Run Timer 7	47	2F			340 _H	000FFF40 _H	47
CAN 0	48	30	ICR16	450 _H	33C _H	000FFF3C _H	–
CAN 1	49	31			338 _H	000FFF38 _H	–
CAN 2	50	32	ICR17	451 _H	334 _H	000FFF34 _H	–
CAN 3	51	33			330 _H	000FFF30 _H	–
CAN 4	52	34	ICR18	452 _H	32C _H	000FFF2C _H	–
CAN 5	53	35			328 _H	000FFF28 _H	–
LIN-USART 0 RX	54	36	ICR19	453 _H	324 _H	000FFF24 _H	6, 48
LIN-USART 0 TX	55	37			320 _H	000FFF20 _H	7, 49
LIN-USART 1 RX	56	38	ICR20	454 _H	31C _H	000FFF1C _H	8, 50
LIN-USART 1 TX	57	39			318 _H	000FFF18 _H	9, 51
LIN-USART 2 RX	58	3A	ICR21	455 _H	314 _H	000FFF14 _H	52
LIN-USART 2 TX	59	3B			310 _H	000FFF10 _H	53
LIN-USART 3 RX	60	3C	ICR22	456 _H	30C _H	000FFF0C _H	54
LIN-USART 3 TX	61	3D			308 _H	000FFF08 _H	55
System Reserved	62	3E	ICR23 [3]	457 _H	304 _H	000FFF04 _H	–
Delayed Interrupt	63	3F			300 _H	000FFF00 _H	–

Interrupt	Interrupt number		Interrupt level [1]		Interrupt vector [2]		DMA Resource number
	Decimal	Hexa-decimal	Setting Register	Register address	Offset	Default Vector address	
System Reserved [4]	64	40	(ICR24)	(458 _H)	2F _C _H	000FFEFC _H	–
System Reserved [4]	65	41			2F ₈ _H	000FFE8 _H	–
LIN-USART (FIFO) 4 RX	66	42	ICR25	459 _H	2F ₄ _H	000FFE4 _H	10, 56
LIN-USART (FIFO) 4 TX	67	43			2F ₀ _H	000FFE0 _H	11, 57
LIN-USART (FIFO) 5 RX	68	44	ICR26	45A _H	2E _C _H	000FFEEC _H	12, 58
LIN-USART (FIFO) 5 TX	69	45			2E ₈ _H	000FEE8 _H	13, 59
LIN-USART (FIFO) 6 RX	70	46	ICR27	45B _H	2E ₄ _H	000FEE4 _H	60
LIN-USART (FIFO) 6 TX	71	47			2E ₀ _H	000FEE0 _H	61
LIN-USART (FIFO) 7 RX	72	48	ICR28	45C _H	2D _C _H	000FFEDC _H	62
LIN-USART (FIFO) 7 TX	73	49			2D ₈ _H	000FFED8 _H	63
I ² C 0 / I ² C 2	74	4A	ICR29	45D _H	2D ₄ _H	000FFED4 _H	–
I ² C 1 / I ² C 3	75	4B			2D ₀ _H	000FFED0 _H	–
System Reserved	76	4C	ICR30	45E _H	2C _C _H	000FFEC _C _H	64
System Reserved	77	4D			2C ₈ _H	000FFEC8 _H	65
System Reserved	78	4E	ICR31	45F _H	2C ₄ _H	000FFEC4 _H	66
System Reserved	79	4F			2C ₀ _H	000FFEC0 _H	67
System Reserved	80	50	ICR32	460 _H	2B _C _H	000FFEB _C _H	68
System Reserved	81	51			2B ₈ _H	000FFEB8 _H	69
System Reserved	82	52	ICR33	461 _H	2B ₄ _H	000FFEB4 _H	70
System Reserved	83	53			2B ₀ _H	000FFEB0 _H	71
System Reserved	84	54	ICR34	462 _H	2A _C _H	000FFEA _C _H	72
System Reserved	85	55			2A ₈ _H	000FFEA8 _H	73
System Reserved	86	56	ICR35	463 _H	2A ₄ _H	000FFEA4 _H	74
System Reserved	87	57			2A ₀ _H	000FFEA0 _H	75
System Reserved	88	58	ICR36	464 _H	29 _C _H	000FFE9 _C _H	76
System Reserved	89	59			29 ₈ _H	000FFE98 _H	77
System Reserved	90	5A	ICR37	465 _H	29 ₄ _H	000FFE94 _H	78
System Reserved	91	5B			29 ₀ _H	000FFE90 _H	79
Input Capture 0	92	5C	ICR38	466 _H	28 _C _H	000FFE8 _C _H	80
Input Capture 1	93	5D			28 ₈ _H	000FFE88 _H	81
Input Capture 2	94	5E	ICR39	467 _H	28 ₄ _H	000FFE84 _H	82
Input Capture 3	95	5F			28 ₀ _H	000FFE80 _H	83

Interrupt	Interrupt number		Interrupt level [1]		Interrupt vector [2]		DMA Resource number
	Decimal	Hexa-decimal	Setting Register	Register address	Offset	Default Vector address	
Input Capture 4	96	60	ICR40	468 _H	27C _H	000FFE7C _H	84
Input Capture 5	97	61			278 _H	000FFE78 _H	85
Input Capture 6	98	62	ICR41	469 _H	274 _H	000FFE74 _H	86
Input Capture 7	99	63			270 _H	000FFE70 _H	87
Output Compare 0	100	64	ICR42	46A _H	26C _H	000FFE6C _H	88
Output Compare 1	101	65			268 _H	000FFE68 _H	89
Output Compare 2	102	66	ICR43	46B _H	264 _H	000FFE64 _H	90
Output Compare 3	103	67			260 _H	000FFE60 _H	91
Output Compare 4	104	68	ICR44	46C _H	25C _H	000FFE5C _H	92
Output Compare 5	105	69			258 _H	000FFE58 _H	93
Output Compare 6	106	6A	ICR45	46D _H	254 _H	000FFE54 _H	94
Output Compare 7	107	6B			250 _H	000FFE50 _H	95
Sound Generator	108	6C	ICR46	46E _H	24C _H	000FFE4C _H	–
Phase Frequency Modulator	109	6D			248 _H	000FFE48 _H	–
System Reserved	110	6E	ICR47 [4]	46F _H	244 _H	000FFE44 _H	–
System Reserved	111	6F			240 _H	000FFE40 _H	–
PPG0	112	70	ICR48	470 _H	23C _H	000FFE3C _H	15, 96
PPG1	113	71			238 _H	000FFE38 _H	97
PPG2	114	72	ICR49	471 _H	234 _H	000FFE34 _H	98
PPG3	115	73			230 _H	000FFE30 _H	99
PPG4	116	74	ICR50	472 _H	22C _H	000FFE2C _H	100
PPG5	117	75			228 _H	000FFE28 _H	101
PPG6	118	76	ICR51	473 _H	224 _H	000FFE24 _H	102
PPG7	119	77			220 _H	000FFE20 _H	103
PPG8	120	78	ICR52	474 _H	21C _H	000FFE1C _H	104
PPG9	121	79			218 _H	000FFE18 _H	105
PPG10	122	7A	ICR53	475 _H	214 _H	000FFE14 _H	106
PPG11	123	7B			210 _H	000FFE10 _H	107
PPG12	124	7C	ICR54	476 _H	20C _H	000FFE0C _H	108
PPG13	125	7D			208 _H	000FFE08 _H	109
PPG14	126	7E	ICR55	477 _H	204 _H	000FFE04 _H	110
PPG15	127	7F			200 _H	000FFE00 _H	111

Interrupt	Interrupt number		Interrupt level ^[1]		Interrupt vector ^[2]		Resource number
	Decimal	Hexadecimal	Setting Register	Register address	Offset	Default Vector address	
Up/Down Counter 0	128	80	ICR56	478 _H	1FC _H	000FFDFC _H	–
Up/Down Counter 1	129	81			1F8 _H	000FFDF8 _H	–
Up/Down Counter 2	130	82	ICR57	479 _H	1F4 _H	000FFDF4 _H	–
Up/Down Counter 3	131	83			1F0 _H	000FFDF0 _H	–
Real Time Clock	132	84	ICR58	47A _H	1EC _H	000FFDEC _H	–
Calibration Unit	133	85			1E8 _H	000FFDE8 _H	–
A/D Converter 0	134	86	ICR59	47B _H	1E4 _H	000FFDE4 _H	14, 112
System Reserved	135	87			1E0 _H	000FFDE0 _H	–
Alarm Comparator 0	136	88	ICR60	47C _H	1DC _H	000FFDDC _H	–
Alarm Comparator 1	137	89			1D8 _H	000FFDD8 _H	–
Low Voltage Detection	138	8A	ICR61	47D _H	1D4 _H	000FFDD4 _H	–
System Reserved	139	8B			1D0 _H	000FFDD0 _H	–
Timebase Overflow	140	8C	ICR62	47E _H	1CC _H	000FFDCC _H	–
PLL Clock Gear	141	8D			1C8 _H	000FFDC8 _H	–
DMA Controller	142	8E	ICR63	47F _H	1C4 _H	000FFDC4 _H	–
Main/Sub OSC stability wait	143	8F			1C0 _H	000FFDC0 _H	–
Security vector	144	90	–	–	1BC _H	000FFDBC _H	–
Used by the INT instruction.	145 to 255	91 to FF	–	–	1B8 _H to 000 _H	000FFDB8 _H to 000FFC00 _H	–

1. The Interrupt Control Registers (ICRs) are located in the interrupt controller and set the interrupt level for each interrupt request. An ICR is provided for each interrupt request.
2. The vector address for each EIT (exception, interrupt or trap) is calculated by adding the listed offset to the table base register value (TBR). The TBR specifies the top of the EIT vector table. The addresses listed in the table are for the default TBR value (000FFC00_H). The TBR is initial-

- ized to this value by a reset. The TBR is set to 000FFC00_H after the internal boot ROM is executed.
3. ICR23 and ICR47 can be exchanged by setting the REALOS compatibility bit (addr 0C03_H : IOS[0])
4. Used by REALOS
5. Memory Protection Unit (MPU) support

14. Recommended Settings

14.1 PLL and Clock Gear Settings

Please note that for MB91F469Gx core base clock frequencies above 88MHz can only be achieved with 1.9V core supply voltage ^[1].

Table 5. Recommended PLL divider and clockgear settings

PLL Input (CLK) [MHz]	Frequency Parameter		Clockgear Parameter		PLL Output (X) [MHz]	Core Base Clock [MHz]	1.8V	1.9V
	DIVM	DIVN	DIVG	MULG				
4	2	25	16	24	200	100	no	yes
4	2	24	16	24	192	96	no	yes
4	2	23	16	24	184	92	no	yes
4	2	22	16	24	176	88	yes	yes
4	2	21	16	20	168	84	yes	yes
4	2	20	16	20	160	80	yes	yes
4	2	19	16	20	152	76	yes	yes
4	2	18	16	20	144	72	yes	yes
4	2	17	16	16	136	68	yes	yes
4	2	16	16	16	128	64	yes	yes
4	2	15	16	16	120	60	yes	yes
4	2	14	16	16	112	56	yes	yes
4	2	13	16	12	104	52	yes	yes
4	2	12	16	12	96	48	yes	yes
4	2	11	16	12	88	44	yes	yes
4	4	10	16	24	160	40	yes	yes
4	4	9	16	24	144	36	yes	yes
4	4	8	16	24	128	32	yes	yes
4	4	7	16	24	112	28	yes	yes
4	6	6	16	24	144	24	yes	yes
4	8	5	16	28	160	20	yes	yes
4	10	4	16	32	160	16	yes	yes
4	12	3	16	32	144	12	yes	yes

1. In order to enter this mode please set REGSEL_FLASHSEL=1 and REGSEL_MAINSEL=1 (HWM Chapter 52.3.1)

14.2 Clock Modulator Settings

The following table shows all possible settings for the Clock Modulator in a base clock frequency range from 32MHz up to 88MHz.

If Fmax exceeds 88MHz the core supply voltage needs to be set to 1.9V. Please refer to flash access time settings (section 2.3.2.2) to setup the correct voltage according to Fmax in the table below.

The Flash access time settings need to be adjusted according to Fmax while the PLL and clockgear settings should be set according to base clock frequency.

Table 6. Clock Modulator settings, frequency range and supported supply voltage

Modulation Degree (k)	Random No (N)	CMPR [hex]	Baseclk [MHz]	Fmin [MHz]	Fmax [MHz]	Remarks
1	3	026F	88	79.5	98.5	
1	3	026F	84	76.1	93.8	
1	3	026F	80	72.6	89.1	
1	5	02AE	80	68.7	95.8	
2	3	046E	80	68.7	95.8	
1	3	026F	76	69.1	84.5	
1	5	02AE	76	65.3	90.8	
1	7	02ED	76	62	98.1	
2	3	046E	76	65.3	90.8	
3	3	066D	76	62	98.1	
1	3	026F	72	65.5	79.9	
1	5	02AE	72	62	85.8	
1	7	02ED	72	58.8	92.7	
2	3	046E	72	62	85.8	
3	3	066D	72	58.8	92.7	
1	3	026F	68	62	75.3	
1	5	02AE	68	58.7	80.9	
1	7	02ED	68	55.7	87.3	
1	9	032C	68	53	95	
2	3	046E	68	58.7	80.9	
2	5	04AC	68	53	95	
3	3	066D	68	55.7	87.3	
4	3	086C	68	53	95	
1	3	026F	64	58.5	70.7	
1	5	02AE	64	55.3	75.9	
1	7	02ED	64	52.5	82	
1	9	032C	64	49.9	89.1	
1	11	036B	64	47.6	97.6	

Modulation Degree (k)	Random No (N)	CMPR [hex]	Baseclk [MHz]	Fmin [MHz]	Fmax [MHz]	Remarks
2	3	046E	64	55.3	75.9	
2	5	04AC	64	49.9	89.1	
3	3	066D	64	52.5	82	
4	3	086C	64	49.9	89.1	
5	3	0A6B	64	47.6	97.6	
1	3	026F	60	54.9	66.1	
1	5	02AE	60	51.9	71	
1	7	02ED	60	49.3	76.7	
1	9	032C	60	46.9	83.3	
1	11	036B	60	44.7	91.3	
2	3	046E	60	51.9	71	
2	5	04AC	60	46.9	83.3	
3	3	066D	60	49.3	76.7	
4	3	086C	60	46.9	83.3	
5	3	0A6B	60	44.7	91.3	
1	3	026F	56	51.4	61.6	
1	5	02AE	56	48.6	66.1	
1	7	02ED	56	46.1	71.4	
1	9	032C	56	43.8	77.6	
1	11	036B	56	41.8	84.9	
1	13	03AA	56	39.9	93.8	
2	3	046E	56	48.6	66.1	
2	5	04AC	56	43.8	77.6	
2	7	04EA	56	39.9	93.8	
3	3	066D	56	46.1	71.4	
3	5	06AA	56	39.9	93.8	
4	3	086C	56	43.8	77.6	
5	3	0A6B	56	41.8	84.9	
6	3	0C6A	56	39.9	93.8	
1	3	026F	52	47.8	57	
1	5	02AE	52	45.2	61.2	
1	7	02ED	52	42.9	66.1	
1	9	032C	52	40.8	71.8	
1	11	036B	52	38.8	78.6	
1	13	03AA	52	37.1	86.8	

Modulation Degree (k)	Random No (N)	CMPR [hex]	Baseclk [MHz]	Fmin [MHz]	Fmax [MHz]	Remarks
1	15	03E9	52	35.5	96.9	
2	3	046E	52	45.2	61.2	
2	5	04AC	52	40.8	71.8	
2	7	04EA	52	37.1	86.8	
3	3	066D	52	42.9	66.1	
3	5	06AA	52	37.1	86.8	
4	3	086C	52	40.8	71.8	
5	3	0A6B	52	38.8	78.6	
6	3	0C6A	52	37.1	86.8	
7	3	0E69	52	35.5	96.9	
1	3	026F	48	44.2	52.5	
1	5	02AE	48	41.8	56.4	
1	7	02ED	48	39.6	60.9	
1	9	032C	48	37.7	66.1	
1	11	036B	48	35.9	72.3	
1	13	03AA	48	34.3	79.9	
1	15	03E9	48	32.8	89.1	
2	3	046E	48	41.8	56.4	
2	5	04AC	48	37.7	66.1	
2	7	04EA	48	34.3	79.9	
3	3	066D	48	39.6	60.9	
3	5	06AA	48	34.3	79.9	
4	3	086C	48	37.7	66.1	
5	3	0A6B	48	35.9	72.3	
6	3	0C6A	48	34.3	79.9	
7	3	0E69	48	32.8	89.1	
1	3	026F	44	40.6	48.1	
1	5	02AE	44	38.4	51.6	
1	7	02ED	44	36.4	55.7	
1	9	032C	44	34.6	60.4	
1	11	036B	44	33	66.1	
1	13	03AA	44	31.5	73	
1	15	03E9	44	30.1	81.4	
2	3	046E	44	38.4	51.6	
2	5	04AC	44	34.6	60.4	

Modulation Degree (k)	Random No (N)	CMPR [hex]	Baseclk [MHz]	Fmin [MHz]	Fmax [MHz]	Remarks
2	7	04EA	44	31.5	73	
2	9	0528	44	28.9	92.1	
3	3	066D	44	36.4	55.7	
3	5	06AA	44	31.5	73	
4	3	086C	44	34.6	60.4	
4	5	08A8	44	28.9	92.1	
5	3	0A6B	44	33	66.1	
6	3	0C6A	44	31.5	73	
7	3	0E69	44	30.1	81.4	
8	3	1068	44	28.9	92.1	
1	3	026F	40	37	43.6	
1	5	02AE	40	34.9	46.8	
1	7	02ED	40	33.1	50.5	
1	9	032C	40	31.5	54.8	
1	11	036B	40	30	59.9	
1	13	03AA	40	28.7	66.1	
1	15	03E9	40	27.4	73.7	
2	3	046E	40	34.9	46.8	
2	5	04AC	40	31.5	54.8	
2	7	04EA	40	28.7	66.1	
2	9	0528	40	26.3	83.3	
3	3	066D	40	33.1	50.5	
3	5	06AA	40	28.7	66.1	
3	7	06E7	40	25.3	95.8	
4	3	086C	40	31.5	54.8	
4	5	08A8	40	26.3	83.3	
5	3	0A6B	40	30	59.9	
6	3	0C6A	40	28.7	66.1	
7	3	0E69	40	27.4	73.7	
8	3	1068	40	26.3	83.3	
9	3	1267	40	25.3	95.8	
1	3	026F	36	33.3	39.2	
1	5	02AE	36	31.5	42	
1	7	02ED	36	29.9	45.3	
1	9	032C	36	28.4	49.2	

Modulation Degree (k)	Random No (N)	CMPR [hex]	Baseclk [MHz]	Fmin [MHz]	Fmax [MHz]	Remarks
1	11	036B	36	27.1	53.8	
1	13	03AA	36	25.8	59.3	
1	15	03E9	36	24.7	66.1	
2	3	046E	36	31.5	42	
2	5	04AC	36	28.4	49.2	
2	7	04EA	36	25.8	59.3	
2	9	0528	36	23.7	74.7	
3	3	066D	36	29.9	45.3	
3	5	06AA	36	25.8	59.3	
3	7	06E7	36	22.8	85.8	
4	3	086C	36	28.4	49.2	
4	5	08A8	36	23.7	74.7	
5	3	0A6B	36	27.1	53.8	
6	3	0C6A	36	25.8	59.3	
7	3	0E69	36	24.7	66.1	
8	3	1068	36	23.7	74.7	
9	3	1267	36	22.8	85.8	
1	3	026F	32	29.7	34.7	
1	5	02AE	32	28	37.3	
1	7	02ED	32	26.6	40.2	
1	9	032C	32	25.3	43.6	
1	11	036B	32	24.1	47.7	
1	13	03AA	32	23	52.5	
1	15	03E9	32	22	58.6	
2	3	046E	32	28	37.3	
2	5	04AC	32	25.3	43.6	
2	7	04EA	32	23	52.5	
2	9	0528	32	21.1	66.1	
2	11	0566	32	19.5	89.1	
3	3	066D	32	26.6	40.2	
3	5	06AA	32	23	52.5	
3	7	06E7	32	20.3	75.9	
4	3	086C	32	25.3	43.6	
4	5	08A8	32	21.1	66.1	
5	3	0A6B	32	24.1	47.7	

Modulation Degree (k)	Random No (N)	CMPR [hex]	Baseclk [MHz]	Fmin [MHz]	Fmax [MHz]	Remarks
5	5	0AA6	32	19.5	89.1	
6	3	0C6A	32	23	52.5	
7	3	0E69	32	22	58.6	
8	3	1068	32	21.1	66.1	
9	3	1267	32	20.3	75.9	
10	3	1466	32	19.5	89.1	

15. Electrical Characteristics

15.1 Absolute maximum ratings

Parameter	Symbol	Rating		Unit	Remarks
		Min	Max		
Power supply slew rate	–	–	50	V/ms	
Power supply voltage 1 ^[1]	V _{DD5R}	– 0.3	+ 6.0	V	
Power supply voltage 2 ^[1]	V _{DD5}	– 0.3	+ 6.0	V	
Power supply voltage 4 ^[1]	V _{DD35}	– 0.3	+ 6.0	V	
Relationship of the supply voltages	AV _{CC5}	V _{DD5} – 0.3	V _{DD5} + 0.3	V	At least one pin of the Ports 25 to 29 (ANn) is used as digital input or output
		V _{SS5} – 0.3	V _{DD5} + 0.3	V	All pins of the Ports 25 to 29 (ANn) follow the condition of V _{IA}
Analog power supply voltage ^[1]	AV _{CC5}	– 0.3	+ 6.0	V	[2]
Analog reference power supply voltage ^[1]	AVRH	– 0.3	+ 6.0	V	[2]
Input voltage 1 ^[1]	V _{I1}	V _{SS5} – 0.3	V _{DD5} + 0.3	V	
Input voltage 2 ^[1]	V _{I2}	V _{SS5} – 0.3	V _{DD35} + 0.3	V	External bus
Analog pin input voltage ^[1]	V _{IA}	AV _{SS5} – 0.3	AV _{CC5} + 0.3	V	
Output voltage 1 ^[1]	V _{O1}	V _{SS5} – 0.3	V _{DD5} + 0.3	V	
Output voltage 2 ^[1]	V _{O2}	V _{SS5} – 0.3	V _{DD35} + 0.3	V	External bus
Maximum clamp current	I _{CLAMP}	– 4.0	+ 4.0	mA	[3]
Total maximum clamp current	Σ I _{CLAMP}	–	20	mA	[3]
“L” level maximum output current ^[4]	I _{OL}	–	10	mA	
“L” level average output current ^[5]	I _{OLAV}	–	8	mA	
“L” level total maximum output current	Σ I _{OL}	–	100	mA	
“L” level total average output current ^[6]	Σ I _{OLAV}	–	50	mA	
“H” level maximum output current ^[4]	I _{OH}	–	– 10	mA	
“H” level average output current ^[5]	I _{OHAV}	–	– 4	mA	
“H” level total maximum output current	Σ I _{OH}	–	– 100	mA	
“H” level total average output current ^[6]	Σ I _{OHAV}	–	– 25	mA	
Permitted operating frequency	f _{max, CLKB}	–	100	MHz	T _A ≤ 105 °C
	f _{max, CLKP}	–	50		
	f _{max, CLKT}	–	50		
	f _{max, CLKCAN}	–	50		
Permitted operating frequency	f _{max, CLKB}	–	96	MHz	T _A ≤ 125 °C
	f _{max, CLKP}	–	48		
	f _{max, CLKT}	–	48		
	f _{max, CLKCAN}	–	48		

Parameter	Symbol	Rating		Unit	Remarks
		Min	Max		
Permitted power dissipation [7]	P _D	-	2000 * ⁸	mW	T _A ≤ 85 °C
		-	1300 * ⁸	mW	T _A ≤ 105 °C
		-	800 * ⁸	mW	T _A ≤ 115 °C
		-	2000 * ⁸	mW	T _A ≤ 105 °C, no Flash program/erase [9]
		-	1800 * ⁸	mW	T _A ≤ 115 °C, no Flash program/erase [9]
		-	1300 * ⁸	mW	T _A ≤ 125 °C, no Flash program/erase [9]
Operating temperature	T _A	- 40	+ 125	°C	
Storage temperature	T _{stg}	- 55	+ 150	°C	

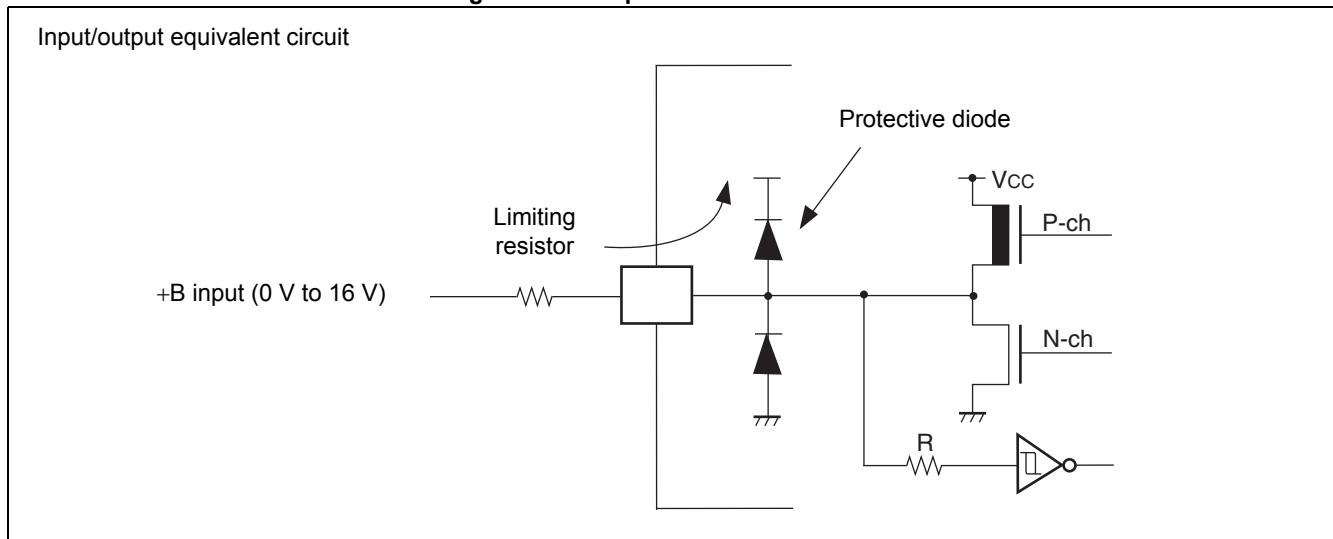
1 The parameter is based on V_{SS5} = AV_{SS5} = 0.0 V.

2 AV_{CC5} and AV_{RH5} must not exceed V_{DD5} + 0.3 V.

3

- Use within recommended operating conditions.
- Use with DC voltage (current).
- +B signals are input signals that exceed the V_{DD5} voltage. +B signals should always be applied by connecting a limiting resistor between the +B signal and the microcontroller.
- The value of the limiting resistor should be set so that the current input to the microcontroller pin does not exceed the rated value at any time, either instantaneously or for an extended period, when the +B signal is input.
- Note that when the microcontroller drive current is low, such as in the low power consumption modes, the +B input potential can increase the potential at the power supply pin via a protective diode, possibly affecting other devices.
- Note that if the +B signal is input when the microcontroller is off (not fixed at 0 V), power is supplied through the +B input pin; therefore, the microcontroller may partially operate.
- Note that if the +B signal is input at power-on, since the power is supplied through the pin, the power-on reset may not function in the power supply voltage.
- Do not leave +B input pins open.

Figure 2. Example of recommended circuit :



- 4 Maximum output current is defined as the value of the peak current flowing through any one of the corresponding pins.
- 5 Average output current is defined as the value of the average current flowing through any one of the corresponding pins for a 100 ms period.
- 6 Total average output current is defined as the value of the average current flowing through all of the corresponding pins for a 100 ms period.
- 7 The maximum permitted power dissipation depends on the ambient temperature, the air flow velocity and the thermal conductance of the package on the PCB.

The actual power dissipation depends on the customer application and can be calculated as follows:

$$P_D = P_{IO} + P_{INT}$$

$$P_{IO} = \sum (V_{OL} * I_{OL} + V_{OH} * I_{OH}) \text{ (IO load power dissipation, sum is performed on all IO ports)}$$

$$P_{INT} = V_{DD}5R * I_{CC} + AV_{CC}5 * I_A + AVRH5 * I_R \text{ (internal power dissipation)}$$

- 8 Worst case value for the BGA package mounted on a 4-layer PCB at specified T_A without air flow.
- 9 Please contact Cypress for reliability limitations when using under these conditions.

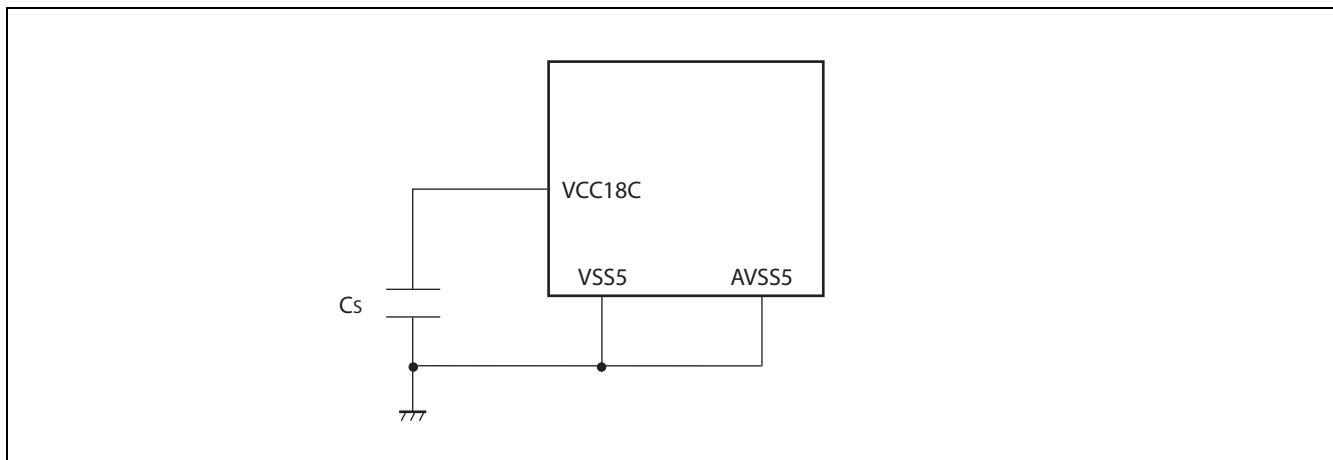
WARNING: Semiconductor devices can be permanently damaged by application of stress (voltage, current, temperature, etc.) in excess of absolute maximum ratings. Do not exceed these ratings.

15.2 Recommended Operating Conditions

($V_{SS5} = AV_{SS5} = 0.0\text{ V}$)

Parameter	Symbol	Value			Unit	Remarks
		Min	Typ	Max		
Power supply voltage	V_{DD5}	3.0	–	5.5	V	
	V_{DD5R}	3.0	–	5.5	V	Internal regulator
	V_{DD35}	3.0	–	5.5	V	External bus
	AV_{CC5}	3.0	–	5.5	V	A/D converter
Smoothing capacitor at VCC18C pin	C_S	–	4.7	–	μF	Use a X7R ceramic capacitor or a capacitor that has similar frequency characteristics.
Power supply slew rate		–	–	50	V/ms	
Main Oscillation stabilization time		10			ms	
Look-up time PLL (4 MHz?16 ...100MHz)				0.6	ms	
ESD Protection (Human body model)	Vsurge	2			kV	$R_{\text{discharge}} = 1.5\text{k}\Omega$ $C_{\text{discharge}} = 100\text{pF}$
RC Oscillator	$f_{RC100\text{kHz}}$	50	100	200	kHz MHz	$V_{DD\text{CORE}} \square 1.65\text{V}$
	$f_{RC2\text{MHz}}$	1	2	4		

WARNING: The recommended operating conditions are required in order to ensure the normal operation of the semiconductor device. All of the device's electrical characteristics are warranted when the device is operated within these ranges. Always use semiconductor devices within their recommended operating condition ranges. Operation outside these ranges may adversely affect reliability and could result in device failure. No warranty is made with respect to uses, operating conditions, or combinations not represented on the data sheet. Users considering application outside the listed conditions are advised to contact their representatives beforehand.



15.3 DC Characteristics

Note: In the following tables, “V_{DD}” means V_{DD35} for pins of ext. bus or V_{DD5} for other pins.

In the following tables, “V_{SS}” means V_{SS5} for the other pins.

(V_{DD5} = AV_{CC5} = 3.0 V to 5.5 V, V_{SS5} = AV_{SS5} = 0 V, T_A = -40 °C to +125 °C)

Parameter	Symbol	Pin name	Condition	Value			Unit	Remarks
				Min	Typ	Max		
Input “H” voltage	V _{IH}	–	Port inputs if CMOS Hysteresis 0.8/0.2 input is selected	0.8 · V _{DD}	–	V _{DD} + 0.3	V	CMOS hysteresis input
		–	Port inputs if CMOS Hysteresis 0.7/0.3 input is selected	0.7 · V _{DD}	–	V _{DD} + 0.3	V	4.5 V ≤ V _{DD} ≤ 5.5 V
				0.74 · V _{DD}	–	V _{DD} + 0.3	V	3 V ≤ V _{DD} < 4.5 V
		–	AUTOMOTIVE Hysteresis input is selected	0.8 · V _{DD}	–	V _{DD} + 0.3	V	
	–	Port inputs if TTL input is selected	2.0	–	V _{DD} + 0.3	V		
	V _{IHR}	INITX	–	0.8 · V _{DD}	–	V _{DD} + 0.3	V	INITX input pin (CMOS Hysteresis)
	V _{IHM}	MD_2 to MD_0	–	V _{DD} – 0.3	–	V _{DD} + 0.3	V	Mode input pins
	V _{IHX0S}	X0, X0A	–	2.5	–	V _{DD} + 0.3	V	External clock in “Oscillation mode”
V _{IHX0F}	X0	–	0.8 · V _{DD}	–	V _{DD} + 0.3	V	External clock in “Fast Clock Input mode”	
Input “L” voltage	V _{IL}	–	Port inputs if CMOS Hysteresis 0.8/0.2 input is selected	V _{SS} – 0.3	–	0.2 · V _{DD}	V	
		–	Port inputs if CMOS Hysteresis 0.7/0.3 input is selected	V _{SS} – 0.3	–	0.3 · V _{DD}	V	
		–	Port inputs if AUTOMOTIVE Hysteresis input is selected	V _{SS} – 0.3	–	0.5 · V _{DD}	V	4.5 V ≤ V _{DD} ≤ 5.5 V
				V _{SS} – 0.3	–	0.46 · V _{DD}	V	3 V ≤ V _{DD} < 4.5 V
	–	Port inputs if TTL input is selected	V _{SS} – 0.3	–	0.8	V		
	V _{ILR}	INITX	–	V _{SS} – 0.3	–	0.2 · V _{DD}	V	INITX input pin (CMOS Hysteresis)
	V _{ILM}	MD_2 to MD_0	–	V _{SS} – 0.3	–	V _{SS} + 0.3	V	Mode input pins
	V _{ILXDS}	X0, X0A	–	V _{SS} – 0.3	–	0.5	V	External clock in “Oscillation mode”

($V_{DD5} = AV_{CC5} = 3.0\text{ V to }5.5\text{ V}$, $V_{SS5} = AV_{SS5} = 0\text{ V}$, $T_A = -40\text{ }^\circ\text{C to }+125\text{ }^\circ\text{C}$)

Parameter	Symbol	Pin name	Condition	Value			Unit	Remarks
				Min	Typ	Max		
Input "L" voltage	V_{ILXDF}	X0	-	$V_{SS} - 0.3$	-	$0.2 \cdot V_{DD}$	V	External clock in "Fast Clock Input mode"
Output "H" voltage	V_{OH2}	Normal outputs	$4.5\text{V} \leq V_{DD} \leq 5.5\text{V}$, $I_{OH} = -2\text{mA}$	$V_{DD} - 0.5$	-	-	V	Driving strength set to 2 mA
			$3.0\text{V} \leq V_{DD} \leq 4.5\text{V}$, $I_{OH} = -1.6\text{mA}$					
	V_{OH5}	Normal outputs	$4.5\text{V} \leq V_{DD} \leq 5.5\text{V}$, $I_{OH} = -5\text{mA}$	$V_{DD} - 0.5$	-	-	V	Driving strength set to 5 mA
		$3.0\text{V} \leq V_{DD} \leq 4.5\text{V}$, $I_{OH} = -3\text{mA}$						
	V_{OH3}	I ² C outputs	$3.0\text{V} \leq V_{DD} \leq 5.5\text{V}$, $I_{OH} = -3\text{mA}$	$V_{DD} - 0.5$	-	-	V	
Output "L" voltage	V_{OL2}	Normal outputs	$4.5\text{V} \leq V_{DD} \leq 5.5\text{V}$, $I_{OL} = +2\text{mA}$	-	-	0.4	V	Driving strength set to 2 mA
			$3.0\text{V} \leq V_{DD} \leq 4.5\text{V}$, $I_{OL} = +1.6\text{mA}$					
	V_{OL5}	Normal outputs	$4.5\text{V} \leq V_{DD} \leq 5.5\text{V}$, $I_{OL} = +5\text{mA}$	-	-	0.4	V	Driving strength set to 5 mA
		$3.0\text{V} \leq V_{DD} \leq 4.5\text{V}$, $I_{OL} = +3\text{mA}$						
	V_{OL3}	I ² C outputs	$3.0\text{V} \leq V_{DD} \leq 5.5\text{V}$, $I_{OL} = +3\text{mA}$	-	-	0.4	V	
Input leakage current	I_{IL}	Pnn_m [1]	$3.0\text{V} \leq V_{DD} \leq 5.5\text{V}$ $V_{SS5} < V_I < V_{DD}$ $T_A = 25\text{ }^\circ\text{C}$	- 1	-	+ 1	μA	
			$3.0\text{V} \leq V_{DD} \leq 5.5\text{V}$ $V_{SS5} < V_I < V_{DD}$ $T_A = 125\text{ }^\circ\text{C}$	- 3	-	+ 3		

1. Pnn_m includes all GPIO pins. Analog (AN) channels and PullUp/PullDown are disabled.

($V_{DD5} = AV_{CC5} = 3.0\text{ V to }5.5\text{ V}$, $V_{SS5} = AV_{SS5} = 0\text{ V}$, $T_A = -40\text{ }^{\circ}\text{C to }+125\text{ }^{\circ}\text{C}$)

Parameter	Symbol	Pin name	Condition	Value			Unit	Remarks
				Min	Typ	Max		
Analog input leakage current	I_{AIN}	ANn [1]	$3.0\text{V} \leq V_{DD} \leq 5.5\text{V}$ $T_A = 25\text{ }^{\circ}\text{C}$	-1	-	+1	μA	
			$3.0\text{V} \leq V_{DD} \leq 5.5\text{V}$ $T_A = 125\text{ }^{\circ}\text{C}$	-3	-	+3	μA	
Pull-up resistance	R_{UP}	Pnn_m [2], INITX	$3.0\text{V} \leq V_{DD} \leq 3.6\text{V}$	40	100	160	$\text{k}\Omega$	
			$4.5\text{V} \leq V_{DD} \leq 5.5\text{V}$	25	50	100	$\text{k}\Omega$	
Pull-down resistance	R_{DOWN}	Pnn_m [3]	$3.0\text{V} \leq V_{DD} \leq 3.6\text{V}$	40	100	180	$\text{k}\Omega$	
			$4.5\text{V} \leq V_{DD} \leq 5.5\text{V}$	25	50	100	$\text{k}\Omega$	
Input capacitance	C_{IN}	All except V_{DD5} , V_{DD5R} , V_{SS5} , AV_{CC5} , AV_{SS} , $AVRH5$	$f = 1\text{ MHz}$	-	5	15	pF	
Power supply current MB91F469Gx	I_{CC}	V_{DD5R}	CLKB: 100 MHz CLKP: 50 MHz CLKT: 50 MHz CLKCAN: 50 MHz	-	140	170	mA	Code fetch from Flash
	I_{CCH}	V_{DD5R}	$T_A = +25\text{ }^{\circ}\text{C}$	-	50	210	μA	At stop mode [4]
			$T_A = +105\text{ }^{\circ}\text{C}$	-	0.6	2.8	mA	
			$T_A = +125\text{ }^{\circ}\text{C}$	-	1.4	7.0	mA	
			$T_A = +25\text{ }^{\circ}\text{C}$	-	120	560	μA	RTC: 4 MHz mode [4]
			$T_A = +105\text{ }^{\circ}\text{C}$	-	0.7	3.2	mA	
			$T_A = +125\text{ }^{\circ}\text{C}$	-	1.5	7.4	mA	
			$T_A = +25\text{ }^{\circ}\text{C}$	-	70	310	μA	RTC: 100 kHz mode [4]
	$T_A = +105\text{ }^{\circ}\text{C}$	-	0.65	3.0	mA			
	$T_A = +125\text{ }^{\circ}\text{C}$	-	1.45	7.2	mA			
I_{LVE}	V_{DD5}	-	-	70	150	μA	External low voltage detection	
I_{LVI}	V_{DD5R}	-	-	50	100	μA	Internal low voltage detection	
I_{OSC}	V_{DD5}	-	-	250	500	μA	Main clock (4 MHz)	
		-	-	20	40	μA	Sub clock (32 kHz)	

1. ANn includes all pins where AN channels are enabled.
2. Pnn_m includes all GPIO pins. The pull up resistors must be enabled by PPER/PPCR setting and the pins must be in input direction.
3. Pnn_m includes all GPIO pins. The pull down resistors must be enabled by PPER/PPCR setting and the pins must be in input direction.
4. Main regulator OFF, sub regulator set to 1.2V, Low voltage detection disabled.

15.4 A/D Converter Characteristics

($V_{DD5} = AV_{CC5} = 3.0\text{ V to }5.5\text{ V}$, $V_{SS5} = AV_{SS5} = 0\text{ V}$, $T_A = -40\text{ }^{\circ}\text{C to }+125\text{ }^{\circ}\text{C}$)

Parameter	Symbol	Pin name	Value			Unit	Remarks
			Min	Typ	Max		
Resolution	–	–	–	–	10	bit	
Total error	–	–	– 3	–	+ 3	LSB	
Nonlinearity error	–	–	– 2.5	–	+ 2.5	LSB	
Differential nonlinearity error	–	–	– 1.9	–	+ 1.9	LSB	
Zero reading voltage	V_{OT}	ANn	AVRL - 1.5 LSB	AVRL + 0.5 LSB	AVRL + 2.5 LSB	V	
Full scale reading voltage	V_{FST}	ANn	AVRH - 3.5 LSB	AVRH - 1.5 LSB	AVRH + 0.5 LSB	V	
Compare time	T_{comp}	–	0.6	–	16,500	μs	$4.5\text{ V} \leq AV_{CC5} \leq 5.5\text{ V}$
			2.0	–	–	μs	$3.0\text{ V} \leq AV_{CC5} \leq 4.5\text{ V}$
Sampling time	T_{samp}	–	0.4	–	–	μs	$4.5\text{ V} \leq AV_{CC5} \leq 5.5\text{ V}$, $R_{EXT} < 2\text{ k}\Omega$
			1.0	–	–	μs	$3.0\text{ V} \leq AV_{CC5} \leq 4.5\text{ V}$, $R_{EXT} < 1\text{ k}\Omega$
Conversion time	T_{conv}	–	1.0	–	–	μs	$4.5\text{ V} \leq AV_{CC5} \leq 5.5\text{ V}$
			3.0	–	–	μs	$3.0\text{ V} \leq AV_{CC5} \leq 4.5\text{ V}$
Input capacitance	C_{IN}	ANn	–	–	11	pF	
Input resistance	R_{IN}	ANn	–	–	2.6	k Ω	$4.5\text{ V} \leq AV_{CC5} \leq 5.5\text{ V}$
			–	–	12.1	k Ω	$3.0\text{ V} \leq AV_{CC5} \leq 4.5\text{ V}$
Analog input leakage current	I_{AIN}	ANn	– 1	–	+ 1	μA	$T_A = +25\text{ }^{\circ}\text{C}$
			– 3	–	+ 3	μA	$T_A = +125\text{ }^{\circ}\text{C}$
Analog input voltage range	V_{AIN}	ANn	AVRL	–	AVRH	V	
Offset between input channels	–	ANn	–	–	4	LSB	

Note: The accuracy gets worse as AVRH - AVRL becomes smaller

Parameter	Symbol	Pin name	Value			Unit	Remarks
			Min	Typ	Max		
Reference voltage range	AVRH	AVRH5	$0.75 \cdot AV_{CC5}$	–	AV_{CC5}	V	
	AVRL	AVSS5	AV_{SS5}	–	$AV_{CC5} \cdot 0.25$	V	
Power supply current per ADC macro ^[3]	I _A	AV _{CC5}	–	2.5	5	mA	A/D Converter active
	I _{AH}	AV _{CC5}	–	–	5	μA	A/D Converter not operated ^[1]
Reference voltage current per ADC macro ^[3]	I _R	AVRH5	–	0.7	1	mA	A/D Converter active
	I _{RH}	AVRH5	–	–	5	μA	A/D Converter not operated ^[2]

- Supply current at AV_{CC5}, if A/D converter and ALARM comparator are not operating, (V_{DD5} = AV_{CC5} = AVRH = 5.0 V)
- Input current at AVRH5, if A/D converter is not operating, (V_{DD5} = AV_{CC5} = AVRH = 5.0 V)
- The current consumption per ADC macro is given here. On devices having more than one A/D converter, the current values have to be multiplied by the number of macros.

Sampling Time Calculation

$$T_{\text{samp}} = (2.6 \text{ k}\Omega + R_{\text{EXT}}) \cdot 11 \text{ pF} \cdot 7; \text{ for } 4.5 \text{ V} \leq AV_{CC5} \leq 5.5 \text{ V}$$

$$T_{\text{samp}} = (12.1 \text{ k}\Omega + R_{\text{EXT}}) \cdot 11 \text{ pF} \cdot 7; \text{ for } 3.0 \text{ V} \leq AV_{CC5} \leq 4.5 \text{ V}$$

Conversion Time Calculation

$$T_{\text{conv}} = T_{\text{samp}} + T_{\text{comp}}$$

15.4.1 Definition of A/D Converter Terms

■ Resolution

Analog variation that is recognizable by the A/D converter.

■ Nonlinearity error

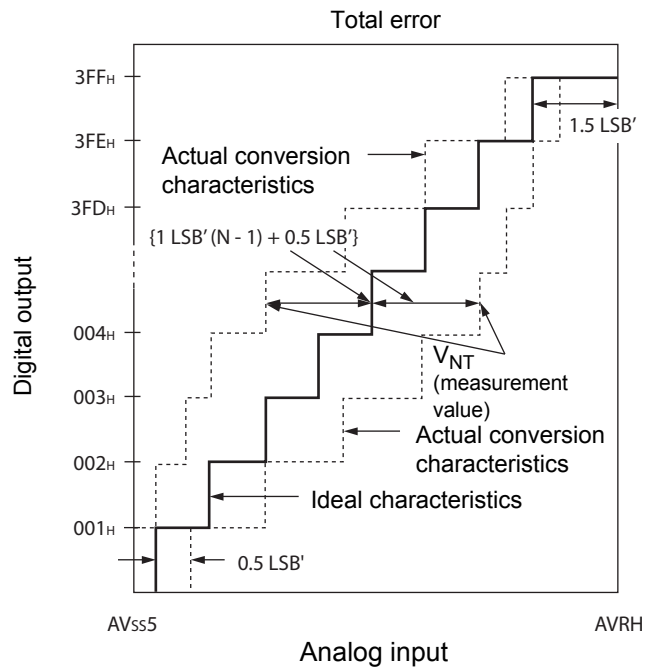
Deviation between actual conversion characteristics and a straight line connecting the zero transition point (00 0000 0000_B ↔ 00 0000 0001_B) and the full scale transition point (11 1111 1110_B ↔ 11 1111 1111_B).

■ Differential nonlinearity error

Deviation of the input voltage from the ideal value that is required to change the output code by 1 LSB.

■ Total error

This error indicates the difference between actual and theoretical values, including the zero transition error, full scale transition error, and nonlinearity error.



$$1\text{LSB}' \text{ (ideal value)} = \frac{\text{AVRH} - \text{AV}_{\text{SS5}}}{1024} \text{ [V]}$$

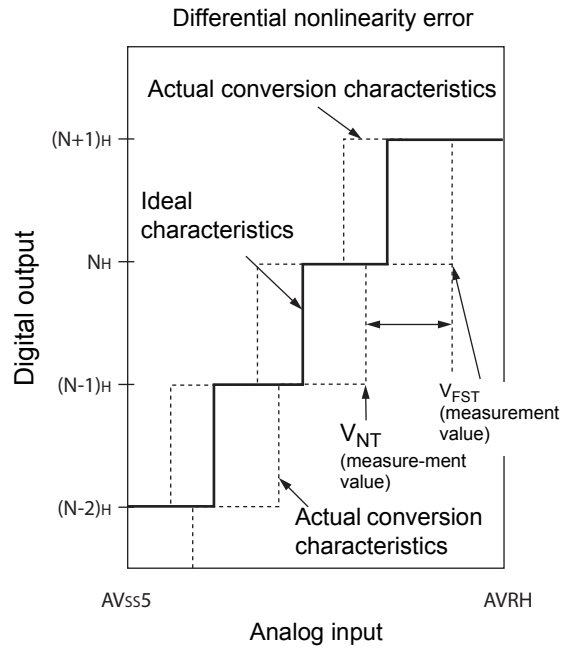
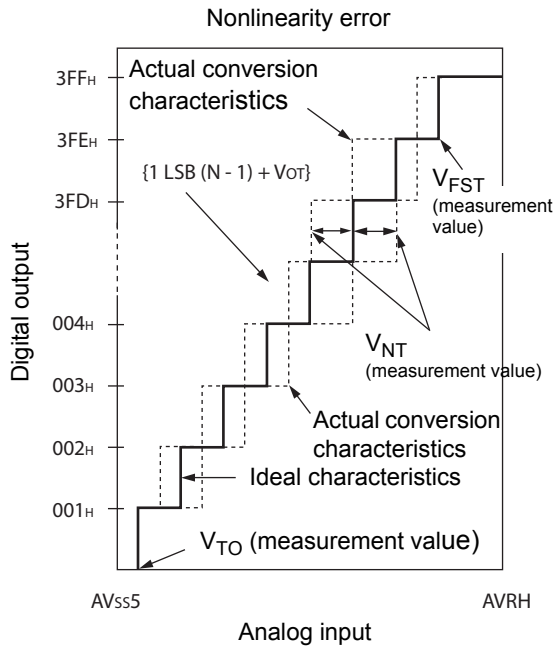
$$\text{Total error of digital output N} = \frac{V_{\text{NT}} - \{1 \text{LSB}' \cdot (N - 1) + 0.5 \text{LSB}'\}}{1 \text{LSB}'}$$

N: A/D converter digital output value

V_{OT}' (ideal value) = AV_{SS5} + 0.5 LSB' [V]

V_{FST}' (ideal value) = AV_{RH} - 1.5 LSB' [V]

V_{NT}: Voltage at which the digital output changes from (N + 1)_H to N_H



$$\text{Nonlinearity error of digital output } N = \frac{V_{NT} - \{1\text{LSB} \cdot (N - 1) + V_{OT}\}}{1\text{LSB}} \text{ [LSB]}$$

$$\text{Differential nonlinearity error of digital output } N = \frac{V_{(N+1)T} - V_{NT}}{1\text{LSB}} - 1 \text{ [LSB]}$$

$$1\text{LSB} = \frac{V_{FST} - V_{OT}}{1022} \text{ [V]}$$

N: A/D converter digital output value

V_{OT}: Voltage at which the digital output changes from 000_H to 001_H.

V_{FST}: Voltage at which the digital output changes from 3FE_H to 3FF_H.

15.5 Alarm Comparator Characteristics

Parameter	Symbol	Pin name	Value			Unit	Remarks
			Min	Typ	Max		
Power supply current	I _{A5ALMF}	AV _{CC5}	–	25	40	μA	Alarm comparator enabled in fast mode (per channel) ^[1]
	I _{A5ALMS}		–	7	10	μA	Alarm comparator enabled in normal mode (per channel) ^[1]
	I _{A5ALMH}		–	–	5	μA	Alarm comparator disabled
ALARM pin input current	I _{ALIN}	ALARM_n	– 1	–	+ 1	μA	T _A =25 °C
			– 3	–	+ 3	μA	T _A =125 °C
ALARM pin input voltage range	V _{ALIN}		0	–	AV _{CC5}	V	
Alarm upper limit voltage	V _{IAH}		AV _{CC5} · 0.78 – 3%	AV _{CC5} · 0.78	AV _{CC5} · 0.78 + 3%	V	
Alarm lower limit voltage	V _{IAL}		AV _{CC5} · 0.36 – 5%	AV _{CC5} · 0.36	AV _{CC5} · 0.36 + 5%	V	
Alarm hysteresis voltage	V _{IAHYS}		50	–	250	mV	
Alarm input resistance	R _{IN}		5	–	–	MΩ	
Comparison time	t _{COMPF}		–	0.1	0.2	μs	Alarm comparator enabled in fast mode ^[1]
	t _{COMPS}		–	1	2	μs	Alarm comparator enabled in normal mode ^[1]

Note:

1. The fast Alarm Comparator mode is enabled by setting ACSR.MD=1

Setting ACSR.MD=0 sets the normal mode.

15.6 Flash Memory Program/Erase Characteristics

15.6.1 MB91F469Gx

($V_{DD5} = 3.0\text{ V to } 5.5\text{ V}$, $V_{DD5R} = 3.0\text{ V to } 5.5\text{ V}$, $V_{SS5} = 0\text{ V}$, $T_A = -40\text{ }^\circ\text{C to } +105\text{ }^\circ\text{C}$)

Parameter	Value			Unit	Remarks
	Min	Typ	Max		
Sector erase time	–	0.5	2.0	s	Erasure programming time not included
Chip erase time	–	$n \cdot 0.5$	$n \cdot 2.0$	s	n is the number of Flash sector of the device
Word (16-bit and 32-bit width) programming time	–	6	100	μs	System overhead time not included
Program/Erase cycle	10000			cycle	
Flash data retention time	20			year	[1]

1. This value was converted from the results of evaluating the reliability of the technology (using Arrhenius equation to convert high temperature measurements into normalized value at 85 °C)

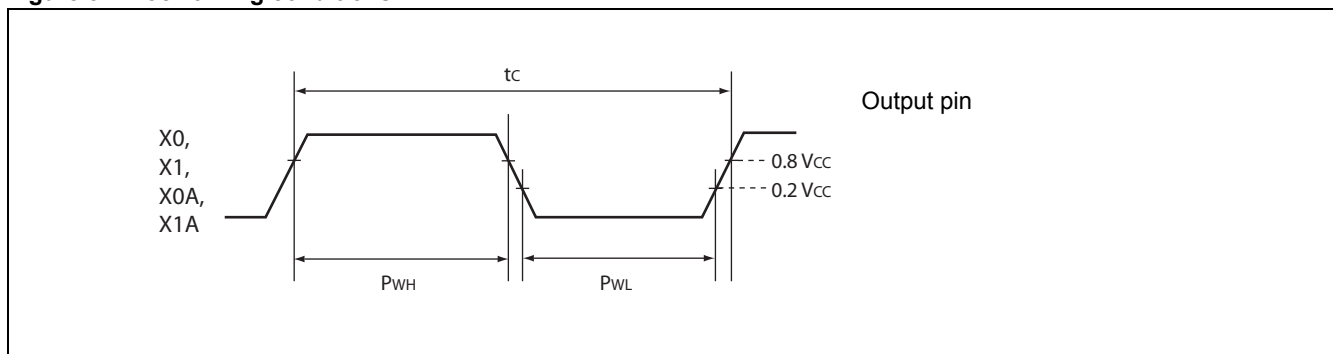
15.7 AC Characteristics

15.7.1 Clock Timing

($V_{DD5} = 3.0\text{ V to } 5.5\text{ V}$, $V_{SS5} = AV_{SS5} = 0\text{ V}$, $T_A = -40\text{ }^\circ\text{C to } +125\text{ }^\circ\text{C}$)

Parameter	Symbol	Pin name	Value			Unit	Condition
			Min	Typ	Max		
Clock frequency	f_c	X0 X1	3.5	4	16	MHz	Opposite phase external supply or crystal
		X0A X1A	32	32.768	100	kHz	

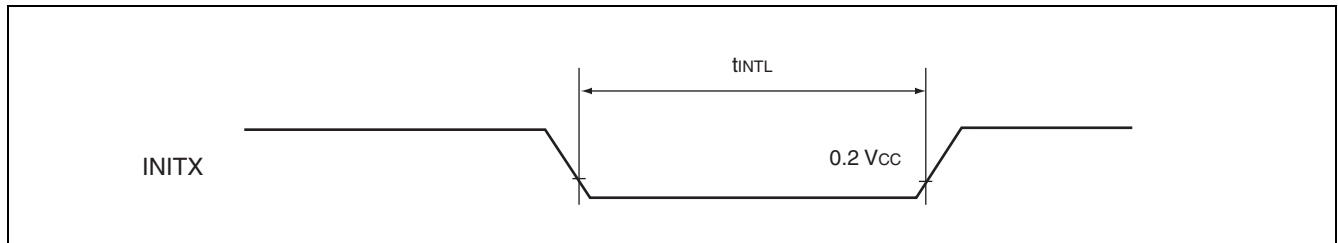
Figure 3. Clock timing conditions



15.7.2 Reset Input Ratings

($V_{DD5} = 3.0\text{ V to }5.5\text{ V}$, $V_{SS5} = AV_{SS5} = 0\text{ V}$, $T_A = -40\text{ }^\circ\text{C to }+125\text{ }^\circ\text{C}$)

Parameter	Symbol	Pin name	Condition	Value		Unit
				Min	Max	
INITX input time (at power-on)	t_{INTL}	INITX	-	8	-	ms
INITX input time (other than the above)				20	-	μs



15.7.3 LIN-USART Timings at $V_{DD5} = 3.0\text{ to }5.5\text{ V}$

- Conditions during AC measurements.
- All AC tests were measured under the following conditions:
 - - $I_{Odrive} = 5\text{ mA}$
 - - $V_{DD5} = 3.0\text{ V to }5.5\text{ V}$, $I_{load} = 3\text{ mA}$
 - - $V_{SS5} = 0\text{ V}$
 - - $T_a = -40\text{ }^\circ\text{C to }+125\text{ }^\circ\text{C}$
 - - $C_l = 50\text{ pF}$ (load capacity value of pins when testing)
 - - $V_{OL} = 0.2 \cdot V_{DD5}$
 - - $V_{OH} = 0.8 \cdot V_{DD5}$
 - - $EPILR = 0$, $PILR = 1$ (Automotive Level = worst case)

($V_{DD5} = 3.0\text{ V to }5.5\text{ V}$, $V_{SS5} = AV_{SS5} = 0\text{ V}$, $T_A = -40\text{ }^\circ\text{C to }+125\text{ }^\circ\text{C}$)

Parameter	Symbol	Pin name	Condition	$V_{DD5} = 3.0\text{ V to }4.5\text{ V}$		$V_{DD5} = 4.5\text{ V to }5.5\text{ V}$		Unit
				Min	Max	Min	Max	
Serial clock cycle time	t_{SCYCI}	SCKn	Internal clock operation (master mode)	$4 t_{CLKP}$	–	$4 t_{CLKP}$	–	ns
SCK ↓ → SOT delay time	t_{SLOVI}	SCKn SOTn		– 30	30	– 20	–	ns
SOT → SCK ↓ delay time	t_{OVSHI}	SCKn SOTn		$m \cdot t_{CLKP} - 30^{[1]}$	–	$m \cdot t_{CLKP} - 20^{[1]}$	–	ns
Valid SIN → SCK ↑ setup time	t_{IVSHI}	SCKn SINn		$t_{CLKP} + 55$	–	$t_{CLKP} + 45$	–	ns
SCK ↑ → valid SIN hold time	t_{SHIXI}	SCKn SINn		0	–	0	–	ns
Serial clock “H” pulse width	t_{SHSLE}	SCKn	External clock operation (slave mode)	$t_{CLKP} + 10$	–	$t_{CLKP} + 10$	–	ns
Serial clock “L” pulse width	t_{SLSHE}	SCKn		$t_{CLKP} + 10$	–	$t_{CLKP} + 10$	–	ns
SCK ↓ → SOT delay time	t_{SLOVE}	SCKn SOTn		–	$2 t_{CLKP} + 55$	–	$2 t_{CLKP} + 45$	ns
Valid SIN → SCK ↑ setup time	t_{IVSHE}	SCKn SINn		10	–	10	–	ns
SCK ↑ → valid SIN hold time	t_{SHIXE}	SCKn SINn		$t_{CLKP} + 10$	–	$t_{CLKP} + 10$	–	ns
SCK rising time	t_{FE}	SCKn		–	20	–	20	ns
SCK falling time	t_{RE}	SCKn		–	20	–	20	ns

1. Parameter m depends on t_{SCYCI} and can be calculated as :

- if $t_{SCYCI} = 2 \cdot k \cdot t_{CLKP}$, then $m = k$, where k is an integer > 2
- if $t_{SCYCI} = (2 \cdot k + 1) \cdot t_{CLKP}$, then $m = k + 1$, where k is an integer > 1

Notes:

- The above values are AC characteristics for CLK synchronous mode.
- t_{CLKP} is the cycle time of the peripheral clock.

Figure 4. Internal clock mode (master mode)

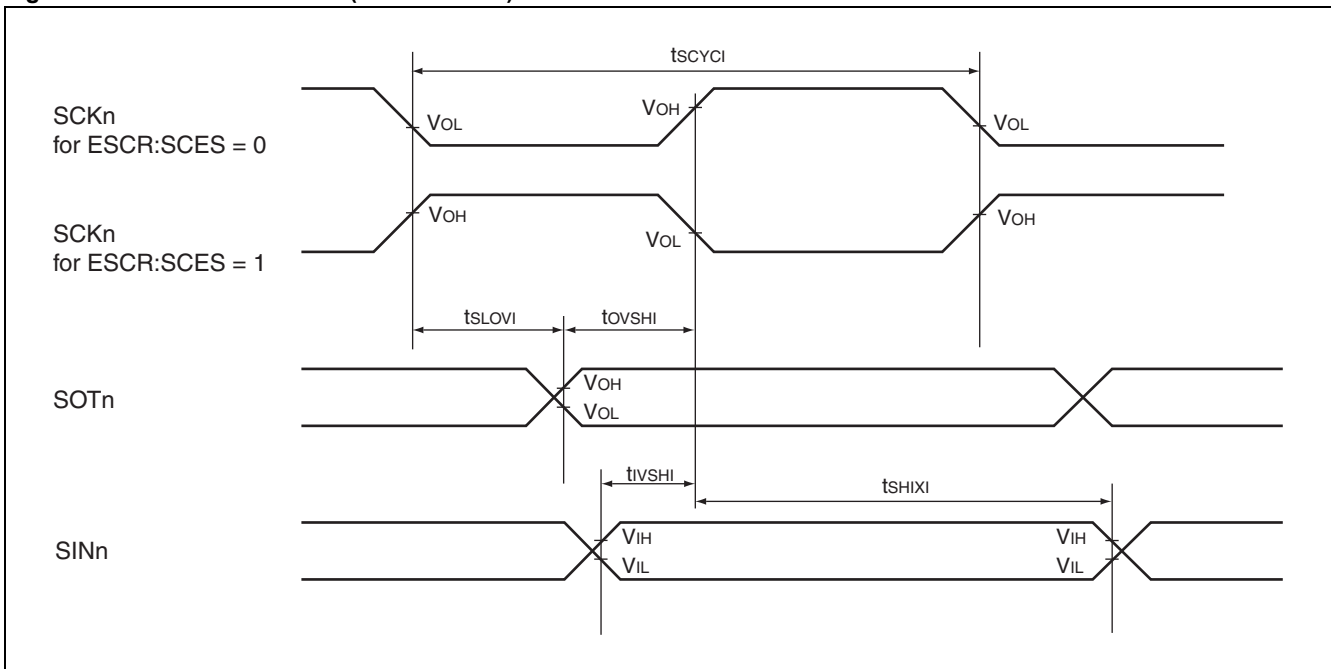
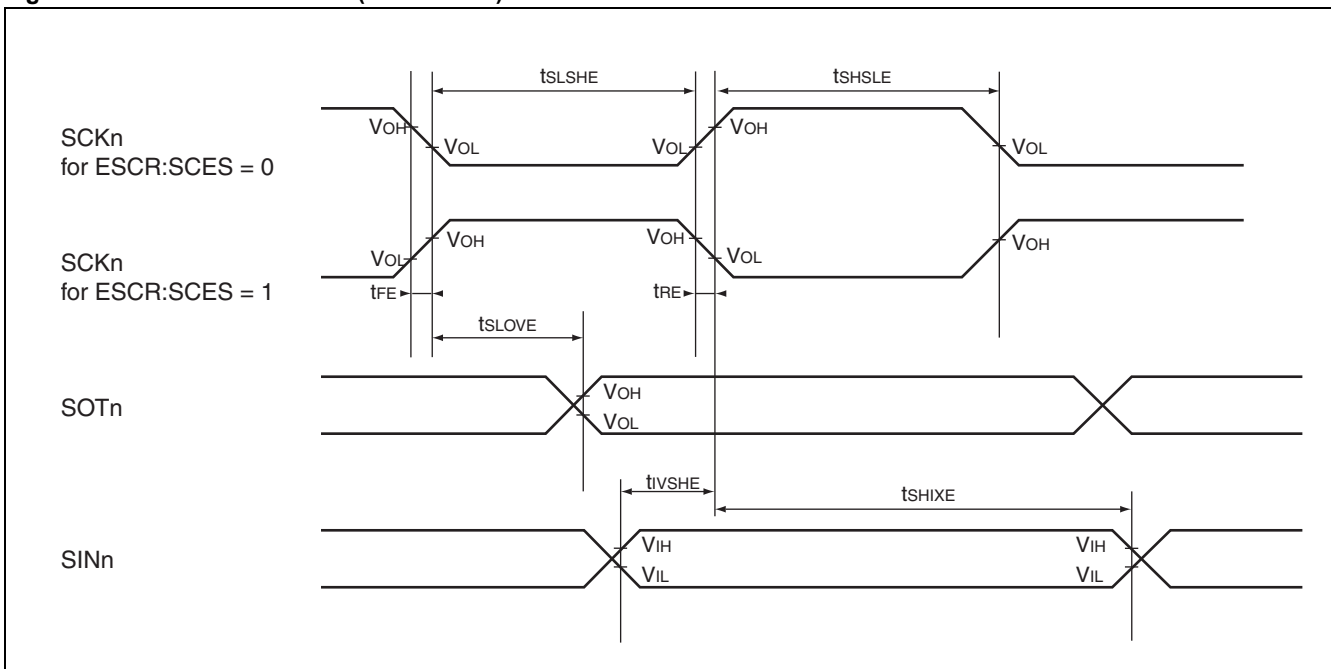


Figure 5. External clock mode (slave mode)



15.7.4 I²C AC Timings at V_{DD5} = 3.0 to 5.5 V

■ Conditions during AC measurements

All AC tests were measured under the following conditions:

- -I_{Odrive} = 3 mA
- -V_{DD5} = 3.0 V to 5.5 V, I_{load} = 3 mA
- -V_{SS5} = 0 V
- -T_a = -40 °C to +125 °C
- -C_l = 50 pF
- -VOL = 0.3 · V_{DD5}
- -VOH = 0.7 · V_{DD5}
- -EPILR = 0, PILR = 0 (CMOS Hysteresis 0.3 · V_{DD5}/0.7 · V_{DD5})

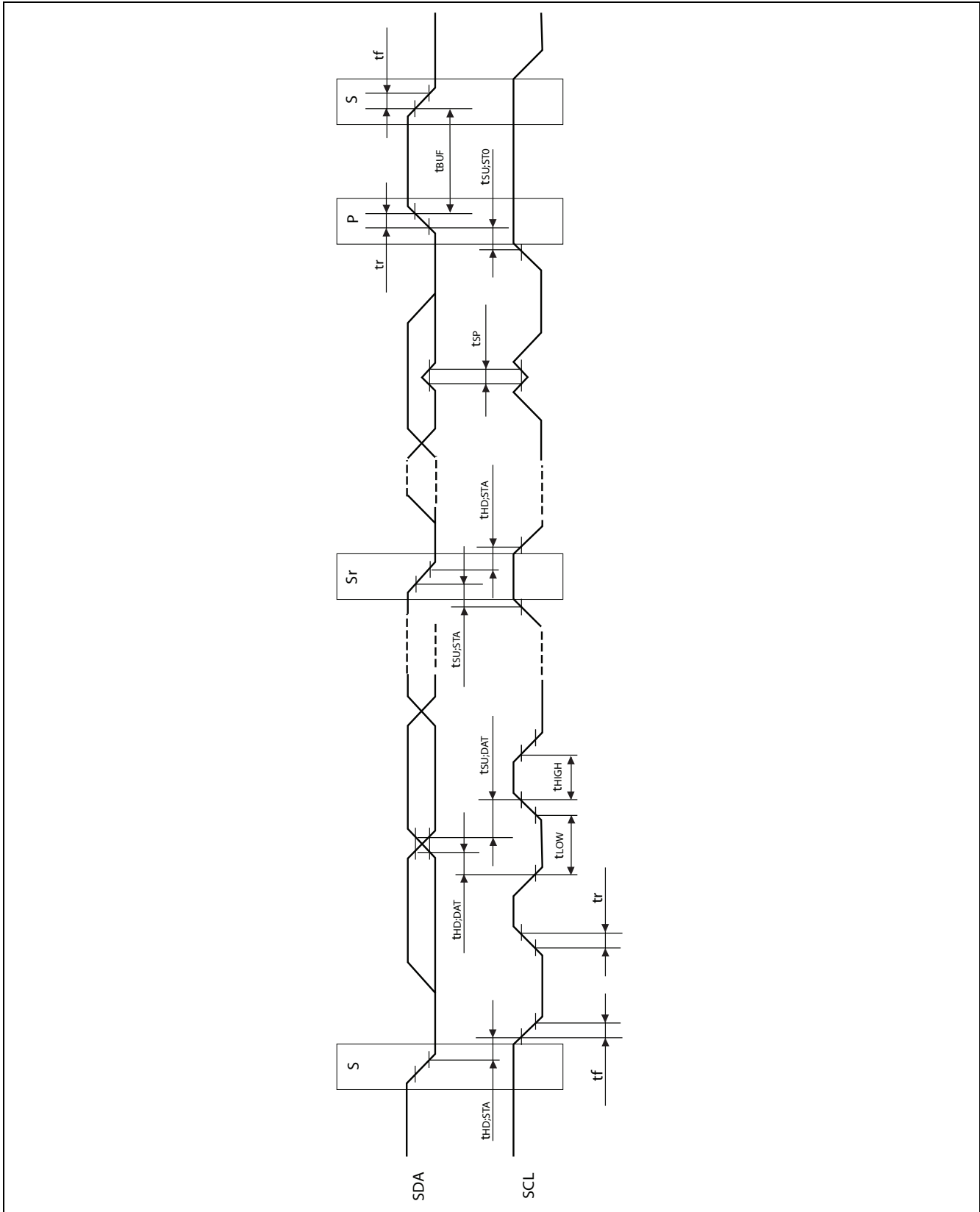
15.7.4.1 Fast mode:

(V_{DD5} = 3.5 V to 5.5 V, V_{SS5} = AV_{SS5} = 0 V, T_A = -40 °C to +125 °C)

Parameter	Symbol	Pin name	Value		Unit	Remark
			Min	Max		
SCL clock frequency	f _{SCL}	SCLn	0	400	kHz	
Hold time (repeated) START condition. After this period, the first clock pulse is generated	t _{HD,STA}	SCLn, SDAn	0.6	–	μs	
LOW period of the SCL clock	t _{LOW}	SCLn	1.3	–	μs	
HIGH period of the SCL clock	t _{HIGH}	SCLn	0.6	–	μs	
Setup time for a repeated START condition	t _{SU,STA}	SCLn, SDAn	0.6	–	μs	
Data hold time for I ² C-bus devices	t _{HD,DAT}	SCLn, SDAn	0	0.9	μs	
Data setup time	t _{SU,DAT}	SCLn SDAn	100	–	ns	
Rise time of both SDA and SCL signals	t _r	SCLn, SDAn	20 + 0.1C _b	300	ns	
Fall time of both SDA and SCL signals	t _f	SCLn, SDAn	20 + 0.1C _b	300	ns	
Setup time for STOP condition	t _{SU,STO}	SCLn, SDAn	0.6	–	μs	
Bus free time between a STOP and START condition	t _{BUF}	SCLn, SDAn	1.3	–	μs	
Capacitive load for each bus line	C _b	SCLn, SDAn	–	400	pF	
Pulse width of spike suppressed by input filter	t _{SP}	SCLn, SDAn	0	(1..1.5) · t _{CLKP}	ns	[1]

1. The noise filter will suppress single spikes with a pulse width of 0ns and between (1 to 1.5) cycles of peripheral clock, depending on the phase relationship between I²C signals (SDA, SCL) and peripheral clock.

Note: t_{CLKP} is the cycle time of the peripheral clock.

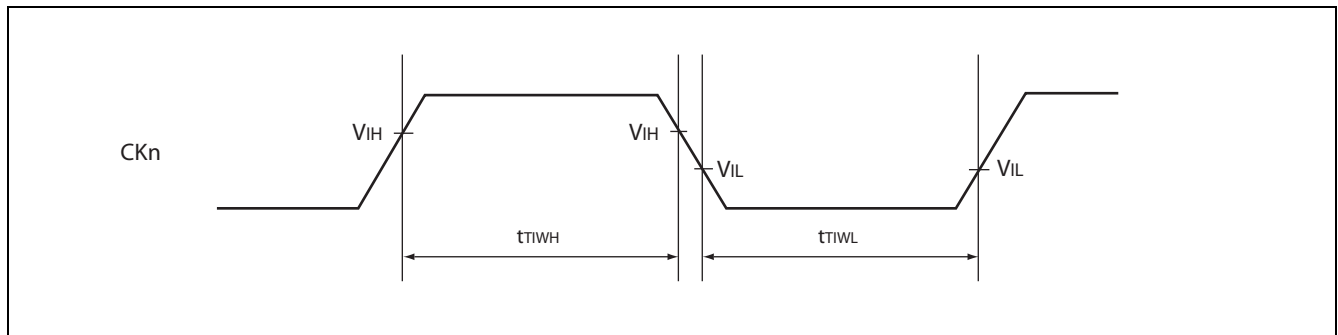


15.7.5 Free-Run Timer Clock

($V_{DD5} = 3.0\text{ V to }5.5\text{ V}$, $V_{SS5} = AV_{SS5} = 0\text{ V}$, $T_A = -40\text{ }^\circ\text{C to }+125\text{ }^\circ\text{C}$)

Parameter	Symbol	Pin name	Condition	Value		Unit
				Min	Max	
Input pulse width	t_{TIWH} t_{TIWL}	CKn	–	$4t_{CLKP}$	–	ns

Note: t_{CLKP} is the cycle time of the peripheral clock.

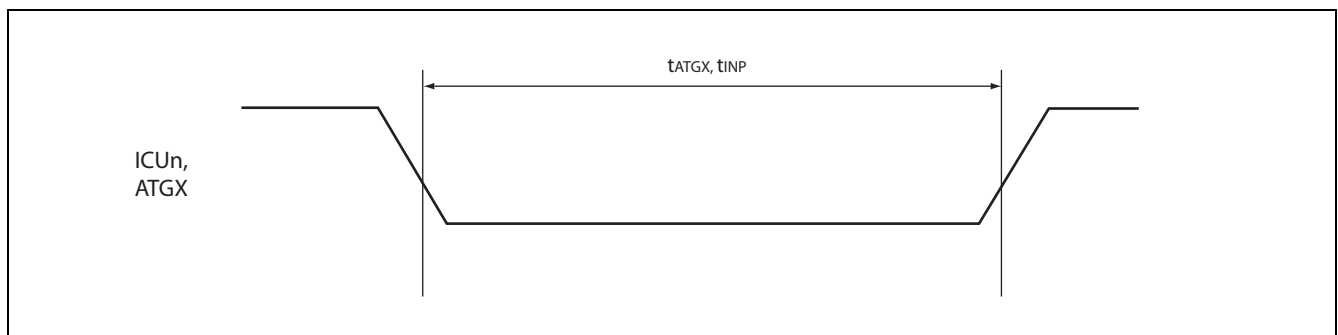


15.7.6 Trigger Input Timing

($V_{DD5} = 3.0\text{ V to }5.5\text{ V}$, $V_{SS5} = AV_{SS5} = 0\text{ V}$, $T_A = -40\text{ }^\circ\text{C to }+125\text{ }^\circ\text{C}$)

Parameter	Symbol	Pin name	Condition	Value		Unit
				Min	Max	
Input capture input trigger	t_{INP}	ICUn	–	$5t_{CLKP}$	–	ns
A/D converter trigger	t_{ATGX}	ATGX	–	$5t_{CLKP}$	–	ns

Note: t_{CLKP} is the cycle time of the peripheral clock.



15.7.7 External Bus AC Timings at $V_{DD35} = 4.5$ to 5.5 V

■ Conditions during AC measurements

All AC tests were measured under the following conditions:

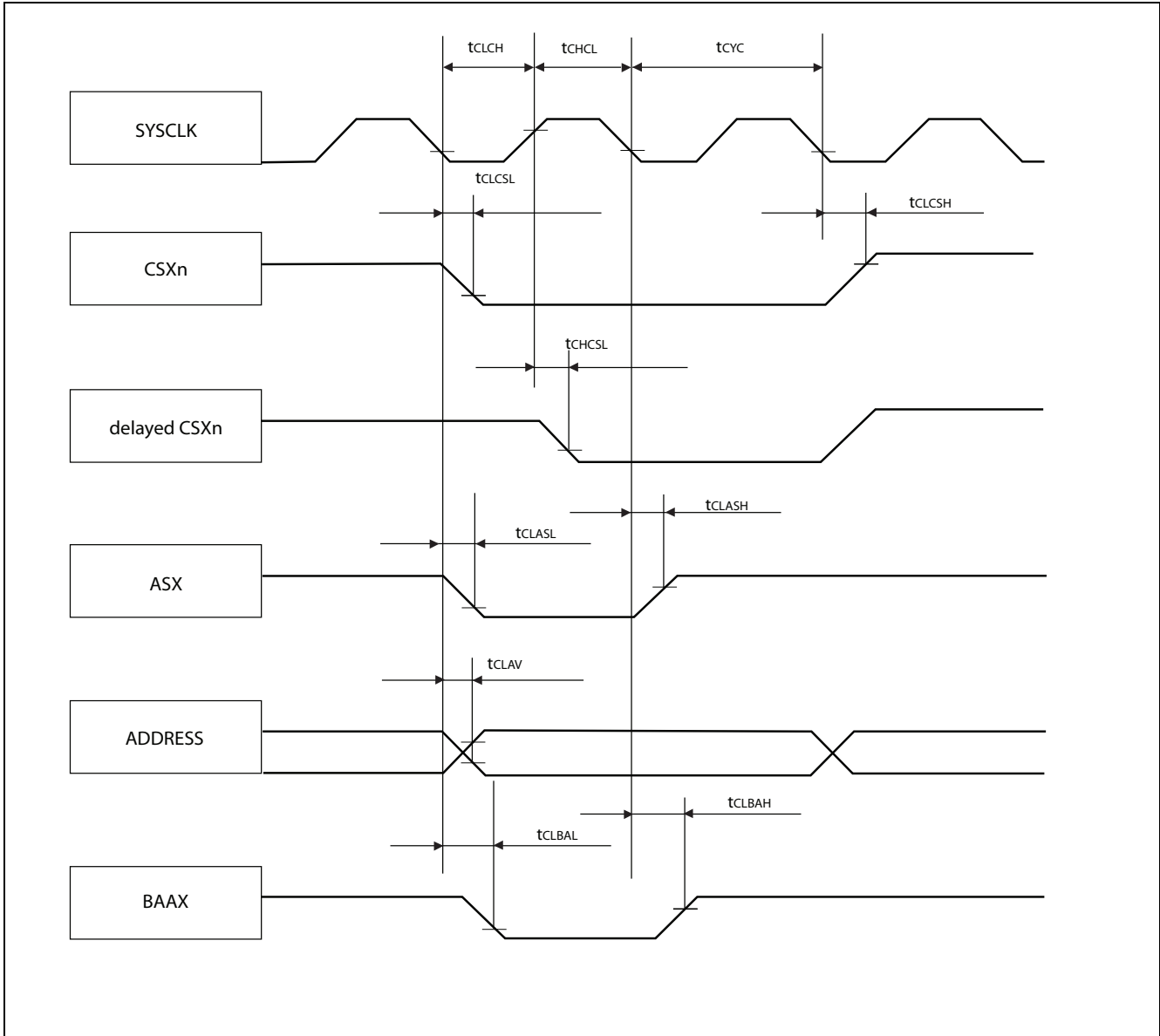
- $-I_{Odrive} = 5$ mA
- $-V_{DD35} = 4.5$ V to 5.5 V, $I_{load} = 5$ mA
- $-V_{SS5} = 0$ V
- $-T_a = -40$ °C to $+125$ °C
- $-C_l = 50$ pF
- $-VOL = 0.2 \cdot V_{DD35}$
- $-VOH = 0.8 \cdot V_{DD35}$
- $-EPILR = 0$, $PILR = 1$ (Automotive Level = worst case)

15.7.7.1 Basic Timing

($V_{DD35} = 4.5$ V to 5.5 V, $V_{ss5} = AV_{ss5} = 0$ V, $T_A = -40$ °C to $+125$ °C)

Parameter	Symbol	Pin name	Value		Unit
			Min	Max	
SYSCLK	t_{CLCH}	SYSCLK	$1/2 \cdot t_{CLKT} - 4$	$1/2 \cdot t_{CLKT} + 5$	ns
	t_{CHCL}		$1/2 \cdot t_{CLKT} - 5$	$1/2 \cdot t_{CLKT} + 4$	ns
SYSCLK ↓ to CSXn delay time	t_{CLCSL}	SYSCLK CSXn	–	9	ns
	t_{CLCSH}		–	8	ns
SYSCLK ↑ to CSXn delay time (Addr → CS delay)	t_{CHCSL}		– 2	8	ns
SYSCLK ↓ to ASX delay time	t_{CLASL}	SYSCLK ASX	–	8	ns
	t_{CLASH}		–	7	ns
SYSCLK ↓ to BAAX delay time	t_{CLBAL}	SYSCLK BAAX	–	5	ns
	t_{CLBAH}		– 2	–	ns
SYSCLK ↓ to Address valid delay time	t_{CLAV}	SYSCLK A27 to A0	–	10	ns

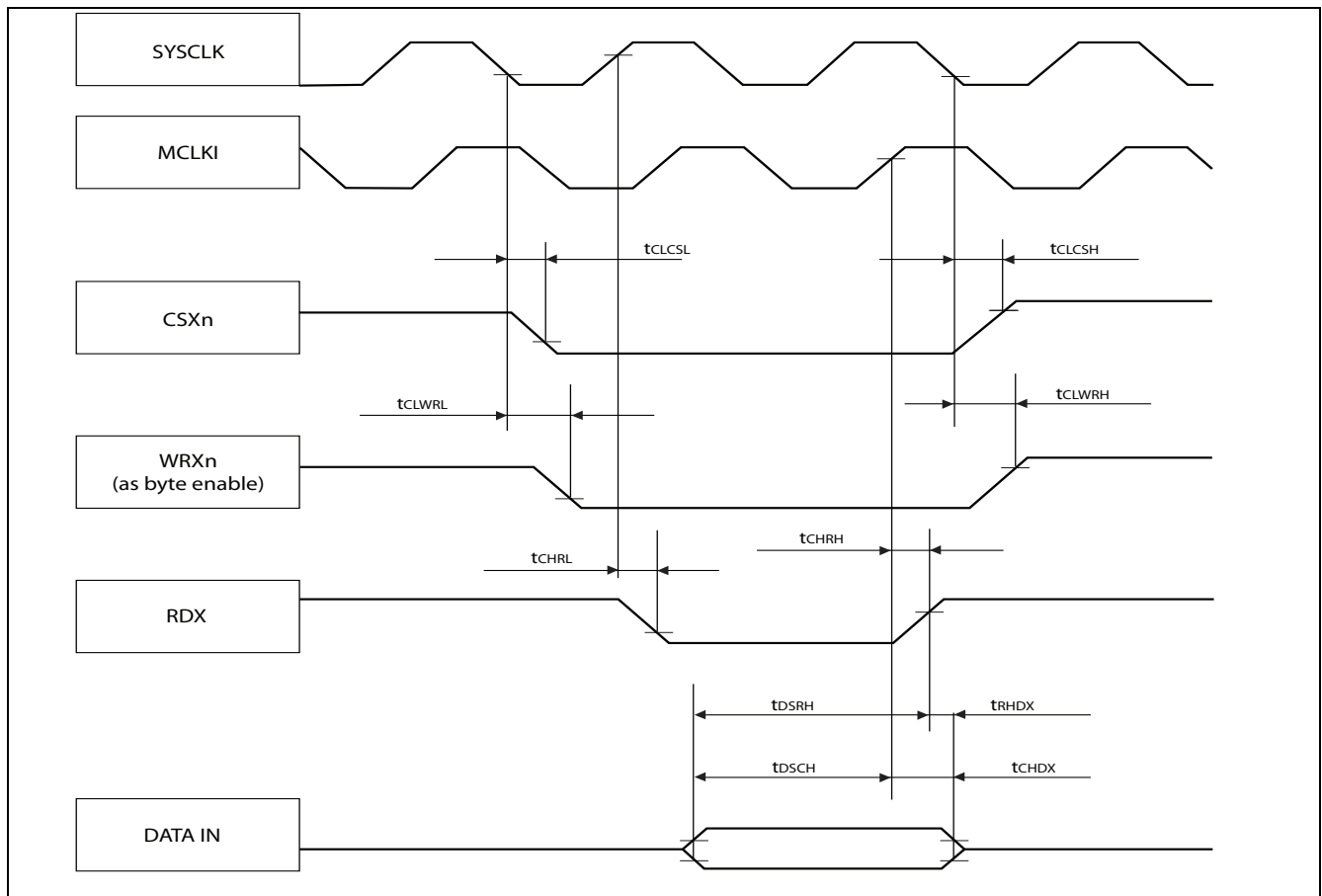
Note: t_{CLKT} is the cycle time of the external bus clock.



15.7.7.2 Synchronous/Asynchronous Read Access with External MCLKI Input

($V_{DD35} = 4.5\text{ V to }5.5\text{ V}$, $V_{SS5} = AV_{SS5} = 0\text{ V}$, $T_A = -40\text{ }^{\circ}\text{C to }+125\text{ }^{\circ}\text{C}$)

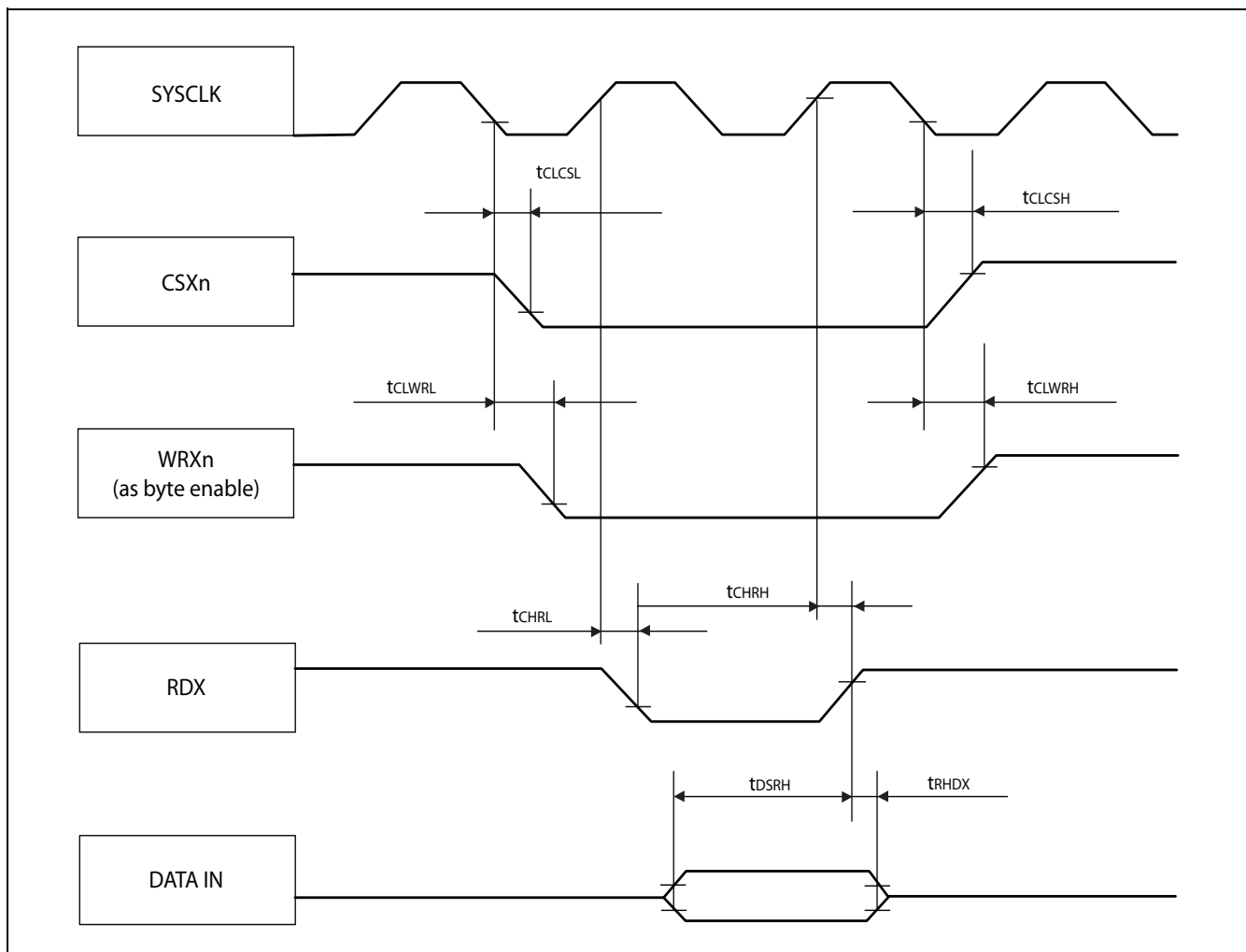
Parameter	Symbol	Pin name	Value		Unit
			Min	Max	
SYSCLK \uparrow /MCLKI \uparrow to RDX delay time	t_{CHRL}	SYSCLK RDX	-2	7	ns
	t_{CHRH}	MCLKI RDX	10	20	ns
Data valid to RDX \uparrow setup time	t_{DSRH}	RDX D31 to D0	20	-	ns
RDX \uparrow to Data valid hold time (external MCLKI input)	t_{RHDX}	RDX D31 to D0	0	-	ns
Data valid to MCLKI \uparrow setup time	t_{DSCH}	MCLKI D31 to D0	1	-	ns
MCLKI \uparrow to Data valid hold time	t_{CHDX}	MCLKI D31 to D0	3	-	ns
SYSCLK \downarrow to WRXn (as byte enable) delay time	t_{CLWRL}	SYSCLK WRXn	-	9	ns
	t_{CLWRH}		-1	-	ns
SYSCLK \downarrow to CSXn delay time	t_{CLCSL}	SYSCLK CSXn	-	9	ns
	t_{CLCSH}		-	8	ns



15.7.7.3 Synchronous/Asynchronous Read Access with Internal MCLKO --> MCLKI Feedback

($V_{DD35} = 4.5\text{ V to }5.5\text{ V}$, $V_{SS5} = AV_{SS5} = 0\text{ V}$, $T_A = -40\text{ }^{\circ}\text{C to }+125\text{ }^{\circ}\text{C}$)

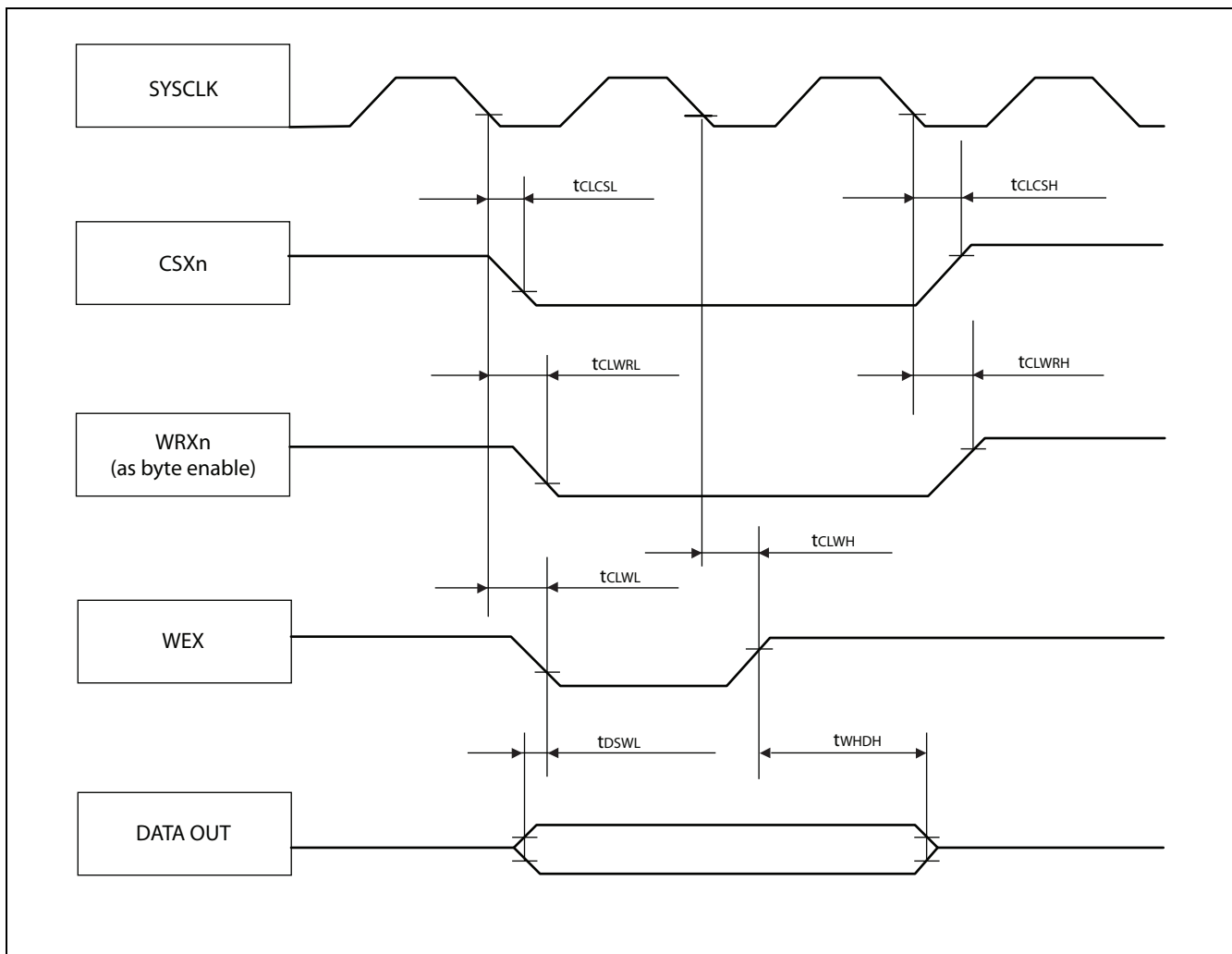
Parameter	Symbol	Pin name	Value		Unit
			Min	Max	
SYSCLK \uparrow to RDX delay time	t_{CHRL}	SYSCLK RDX	-2	7	ns
	t_{CHRH}		-2	4	ns
Data valid to RDX setup time	t_{DSRH}	RDX D31 to D0	19	-	ns
RDX \uparrow to Data valid hold time (internal MCLKO \rightarrow MCLKI / MCLKI feedback)	t_{RHDX}	RDX D31 to D0	0	-	ns
SYSCLK \downarrow to WRXn (as byte enable) delay time	t_{CLWRL}	SYSCLK WRXn	-	9	ns
	t_{CLWRH}		-1	-	ns
SYSCLK \downarrow to CSXn delay time	t_{CLCSL}	SYSCLK CSXn	-	9	ns
	t_{CLCSH}		-	8	ns



15.7.7.4 Synchronous Write Access - Byte Control Type

 ($V_{DD35} = 4.5\text{ V to }5.5\text{ V}$, $V_{SS5} = AV_{SS5} = 0\text{ V}$, $T_A = -40\text{ }^{\circ}\text{C to }+125\text{ }^{\circ}\text{C}$)

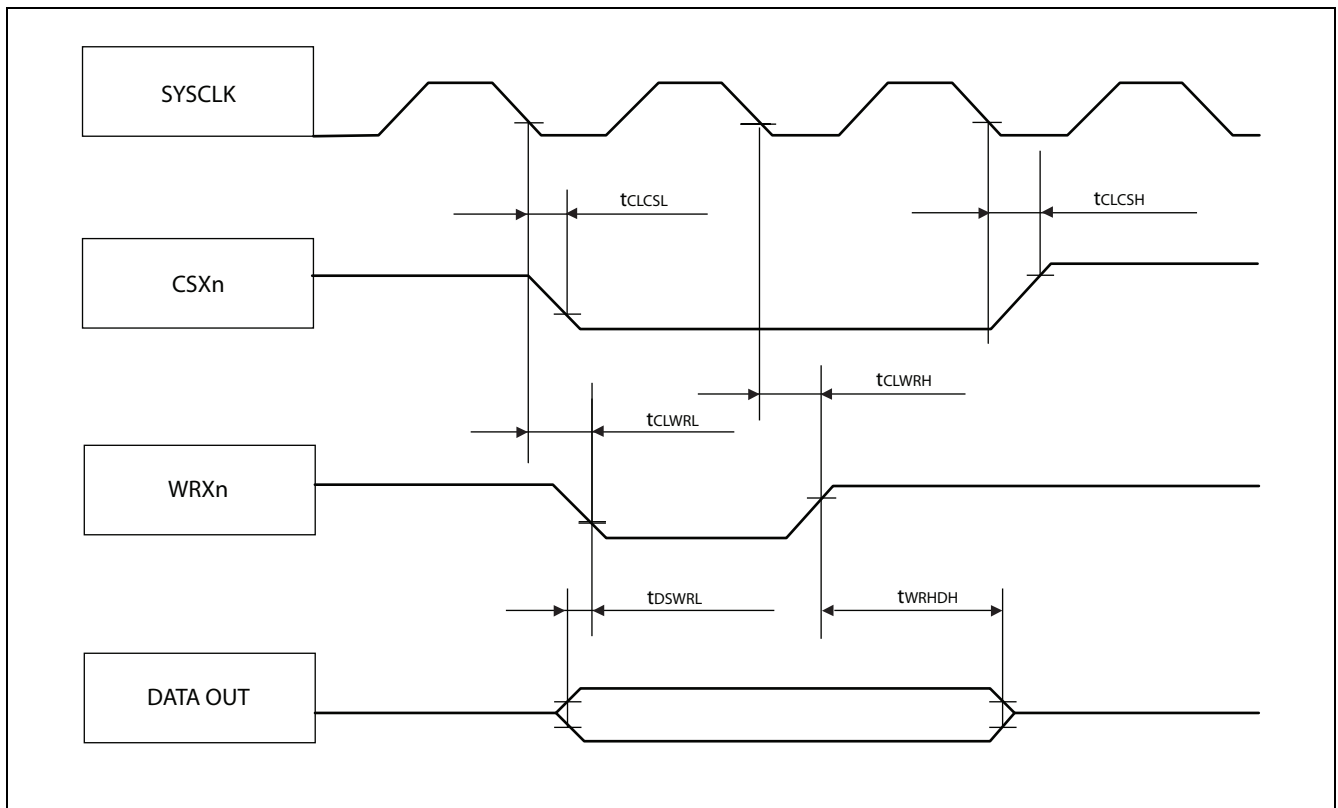
Parameter	Symbol	Pin name	Value		Unit
			Min	Max	
SYSCLK ↓ to WEX delay time	t_{CLWL}	SYSCLK WEX	–	8	ns
	t_{CLWH}		–2	–	ns
Data valid to WEX ↓ setup time	t_{DSWL}	WEX D31 to D0	–5	–	ns
WEX ↑ to Data valid hold time	t_{WHDH}	WEX D31 to D0	$t_{CLKT} - 10$	–	ns
SYSCLK ↓ to WRXn (as byte enable) delay time	t_{CLWRL}	SYSCLK WRXn	–	9	ns
	t_{CLWRH}		–1	–	ns
SYSCLK ↓ to CSXn delay time	t_{CLCSL}	SYSCLK CSXn	–	9	ns
	t_{CLCSH}		–	8	ns



15.7.7.5 Synchronous Write Access - No Byte Control Type

($V_{DD35} = 4.5\text{ V to }5.5\text{ V}$, $V_{SS5} = AV_{SS5} = 0\text{ V}$, $T_A = -40\text{ }^\circ\text{C to }+125\text{ }^\circ\text{C}$)

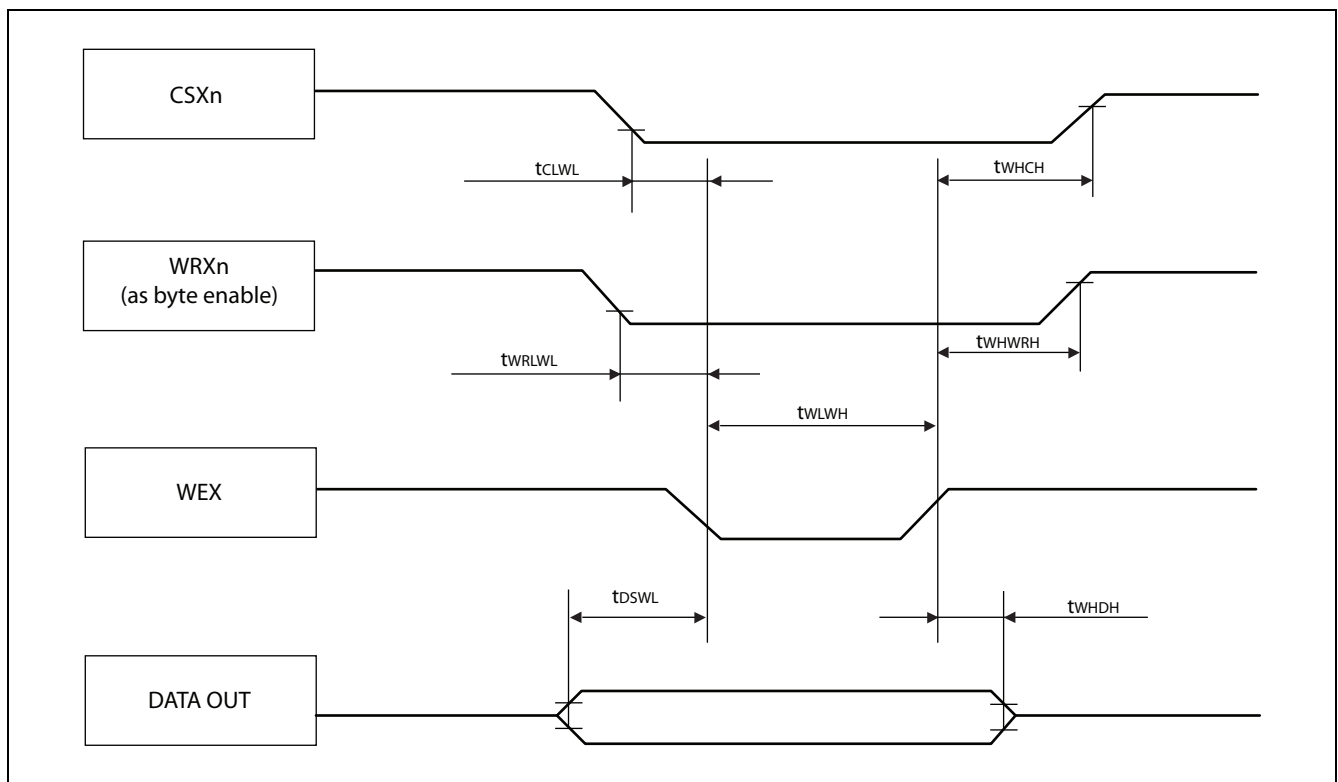
Parameter	Symbol	Pin name	Value		Unit
			Min	Max	
SYSCLK ↓ to WRXn delay time	t_{CLWRL}	SYSCLK WRXn	-	9	ns
	t_{CLWRH}		-1	-	ns
Data valid to WRXn ↓ setup time	t_{DSWRL}	WRXn D31 to D0	-6	-	ns
WRXn ↑ to Data valid hold time	t_{WRHDH}	WRXn D31 to D0	$t_{CLKT} - 10$	-	ns
SYSCLK ↓ to CSXn delay time	t_{CLCSL}	SYSCLK CSXn	-	9	ns
	t_{CLCSH}		-	8	ns



15.7.7.6 Asynchronous Write Access - Byte Control Type

($V_{DD35} = 4.5\text{ V to }5.5\text{ V}$, $V_{SS5} = AV_{SS5} = 0\text{ V}$, $T_A = -40\text{ }^\circ\text{C to }+125\text{ }^\circ\text{C}$)

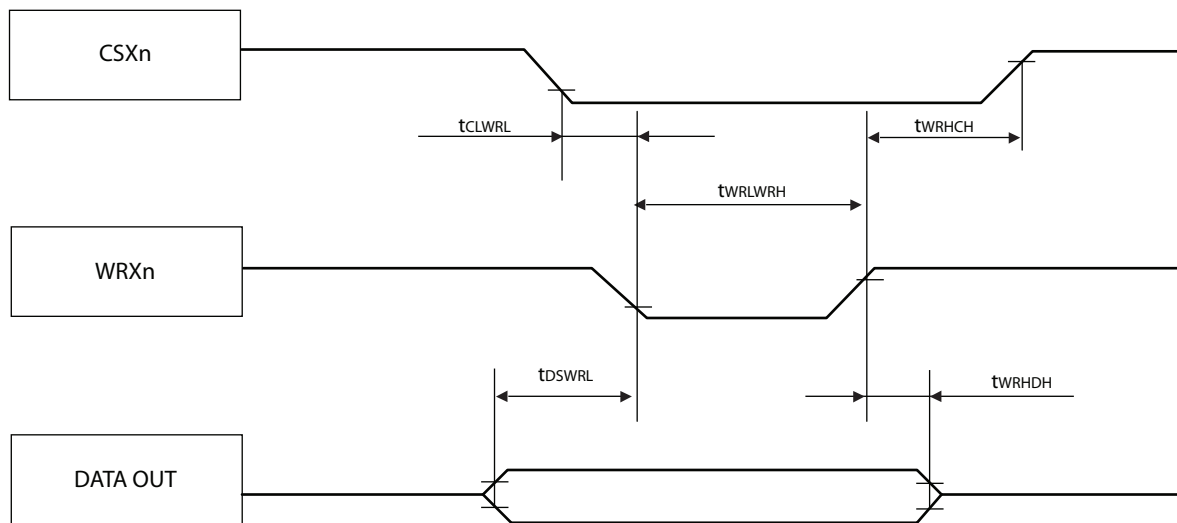
Parameter	Symbol	Pin name	Value		Unit
			Min	Max	
WEX ↓ to WEX ↑ pulse width	t_{WLWH}	WEX	$t_{CLKT} - 6$	–	ns
Data valid to WEX ↓ setup time	t_{DSWL}	WEX D31 to D0	$1/2 \cdot t_{CLKT} - 9$	–	ns
WEX ↑ to Data valid hold time	t_{WHDH}	WEX D31 to D0	$1/2 \cdot t_{CLKT} - 7$	–	ns
WEX to WRXn delay time	t_{WRLWL}	WEX WRXn	–	$1/2 \cdot t_{CLKT} + 2$	ns
	t_{WHWRH}		$1/2 \cdot t_{CLKT} - 1$	–	ns
WEX to CSXn delay time	t_{CLWL}	WEX CSXn	–	$1/2 \cdot t_{CLKT} - 1$	ns
	t_{WHCH}		$1/2 \cdot t_{CLKT} + 1$	–	ns



15.7.7.7 Asynchronous Write Access - No Byte Control Type

($V_{DD35} = 4.5\text{ V to }5.5\text{ V}$, $V_{SS5} = AV_{SS5} = 0\text{ V}$, $T_A = -40\text{ }^{\circ}\text{C to }+125\text{ }^{\circ}\text{C}$)

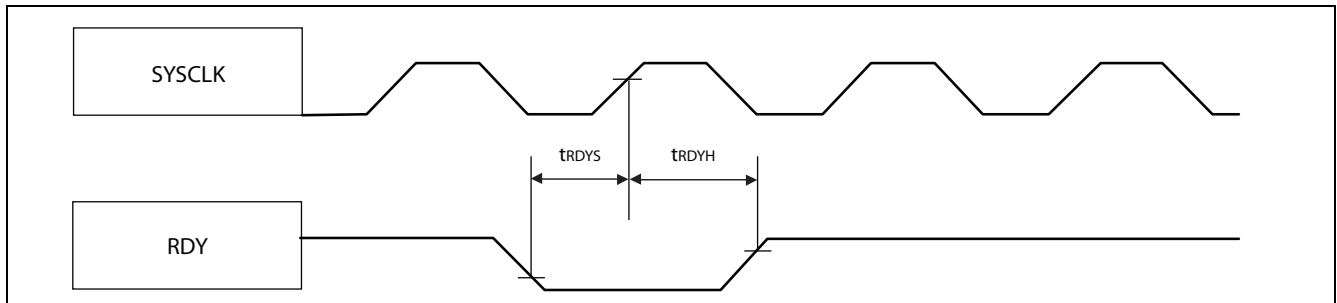
Parameter	Symbol	Pin name	Value		Unit
			Min	Max	
WRXn ↓ to WRXn ↑ pulse width	t_{WRLWRH}	WRXn	$t_{CLKT} - 6$	–	ns
Data valid to WRXn ↓ setup time	t_{DSWRL}	WRXn D31 to D0	$1/2 \cdot t_{CLKT} - 9$	–	ns
WRXn ↑ to Data valid hold time	t_{WRHDH}	WRXn D31 to D0	$1/2 \cdot t_{CLKT} - 7$	–	ns
WRXn to CSXn delay time	t_{CLWRL}	WRXn CSXn	–	$1/2 \cdot t_{CLKT} - 1$	ns
	t_{WRHCH}		$1/2 \cdot t_{CLKT} + 1$	–	ns



15.7.7.8 RDY Waitcycle Insertion

($V_{DD35} = 4.5\text{ V to }5.5\text{ V}$, $V_{ss5} = AV_{ss5} = 0\text{ V}$, $T_A = -40\text{ }^\circ\text{C to }+125\text{ }^\circ\text{C}$)

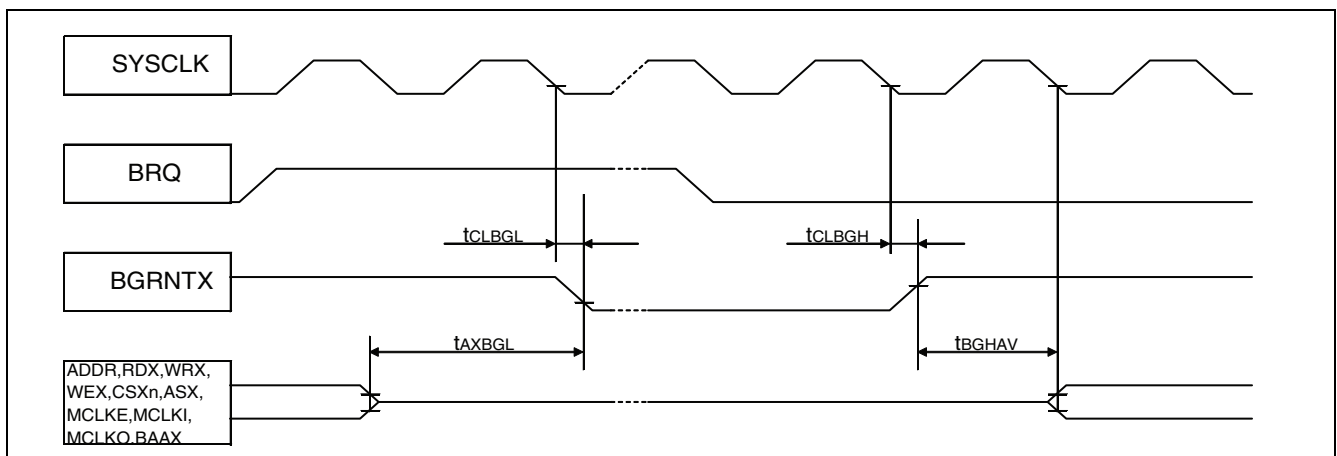
Parameter	Symbol	Pin name	Value		Unit
			Min	Max	
RDY setup time	t_{RDYS}	SYSCLK RDY	19	–	ns
RDY hold time	t_{RDYH}	SYSCLK RDY	0	–	ns


15.7.7.9 Bus Hold Timing

($V_{DD35} = 4.5\text{ V to }5.5\text{ V}$, $V_{ss5} = AV_{ss5} = 0\text{ V}$, $T_A = -40\text{ }^\circ\text{C to }+125\text{ }^\circ\text{C}$)

Parameter	Symbol	Pin name	Value		Unit
			Min	Max	
SYSCLK ↓ to BGRNTX delay time	t_{CLBGL}	SYSCLK	–	5	ns
	t_{CLBGH}	BGRNTX	–	5	ns
Bus HIZ to BGRNTX ↓	t_{AXBGL}	BGRNTX	$t_{CLKT} + 2$	–	ns
BGRNTX ↑ to Bus drive	t_{BGHAV}	BGRNTX MCLK* A0 to An RDX, ASX WRXn, WEX CSXn, BAAX	$t_{CLKT} + 1$	–	ns

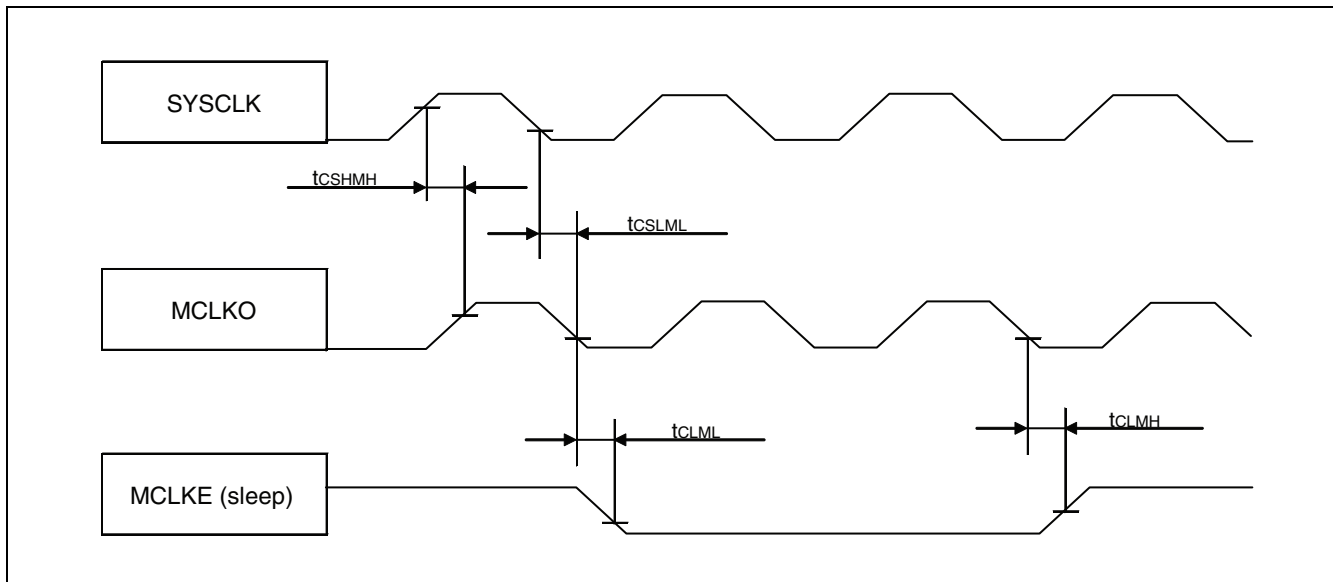
Note: BRQ must be kept High until the bus is granted (this is acknowledged by the falling edge of BGRNTX). It must be kept High as long as the bus shall be hold. After releasing the bus (BRQ set to Low) this is acknowledged by the rising edge of BGRNTX.



15.7.7.10 Clock Relationships

($V_{DD35} = 4.5\text{ V to }5.5\text{ V}$, $V_{SS5} = AV_{SS5} = 0\text{ V}$, $T_A = -40\text{ }^{\circ}\text{C to }+125\text{ }^{\circ}\text{C}$)

Parameter	Symbol	Pin name	Value		Unit
			Min	Max	
SYSCLK to MCLKO	t_{CSMHM}	SYSCLK	1	5	ns
	t_{CSLML}	MCLKO	0	2	ns
MCLKO \downarrow to MCLKE (in sleep mode)	t_{CLML}	MCLKO	-	5	ns
	t_{CLMH}	MCLKE	-3	-	ns

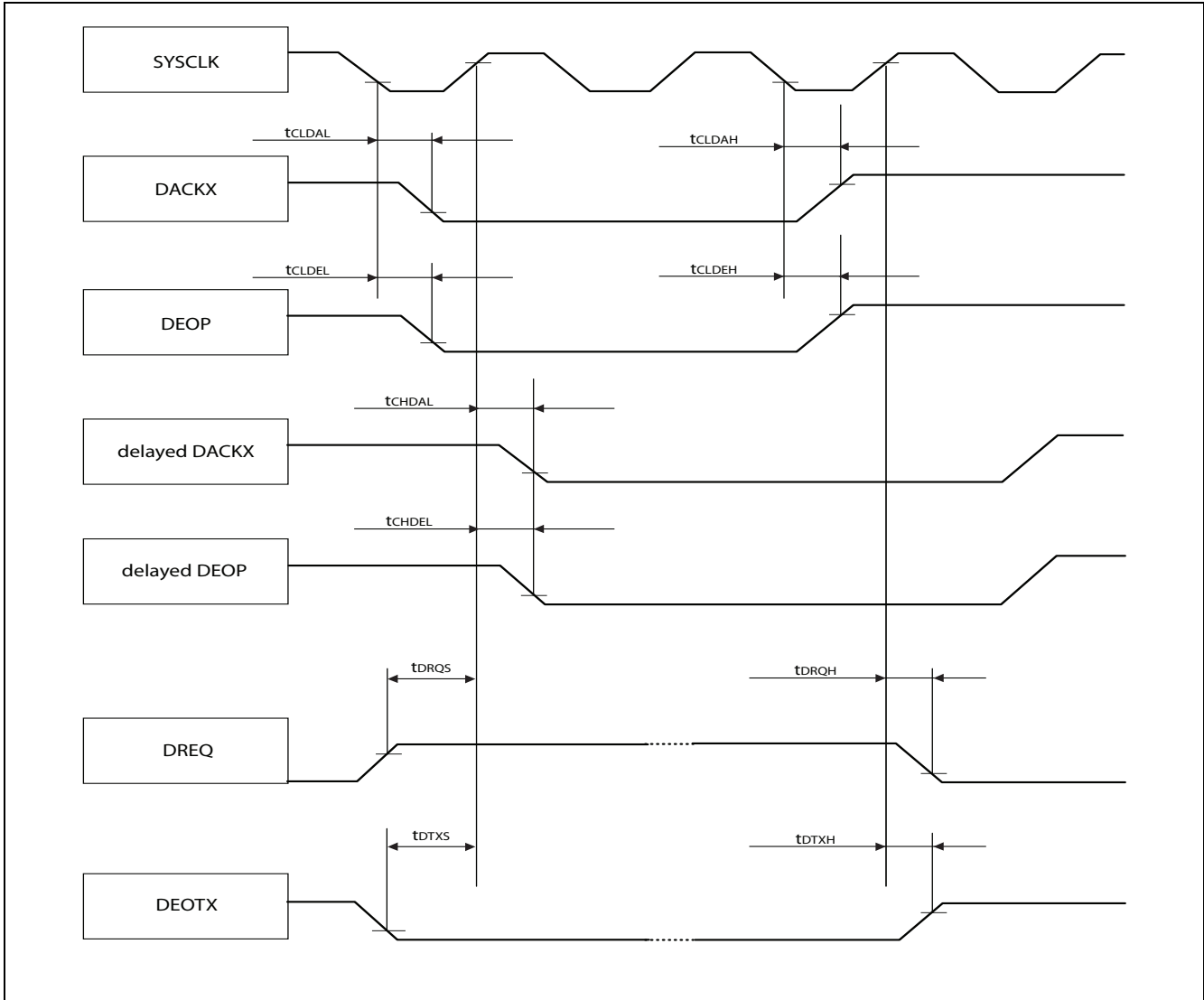


15.7.7.11 DMA Transfer

($V_{DD35} = 4.5\text{ V to }5.5\text{ V}$, $V_{SS5} = AV_{SS5} = 0\text{ V}$, $T_A = -40\text{ }^{\circ}\text{C to }+125\text{ }^{\circ}\text{C}$)

Parameter	Symbol	Pin name	Value		Unit
			Min	Max	
SYSCLK ↓ to DACKX delay time	t_{CLDAL}	SYSCLK DACKXn	–	8	ns
	t_{CLDAH}		–	8	ns
SYSCLK ↓ to DEOP delay time	t_{CLDEL}	SYSCLK DEOPn	–	7	ns
	t_{CLDEH}		–	9	ns
SYSCLK ↑ to DACKX delay time (ADDR → delayed CS)	t_{CHDAL}	SYSCLK DACKXn	– 1	8	ns
SYSCLK ↑ to DEOP delay time (ADDR → delayed CS)	t_{CHDEL}	SYSCLK DEOPn	– 1	8	ns
DREQ setup time	t_{DRQS}	SYSCLK DREQn	19	–	ns
DREQ hold time	t_{DRQH}	SYSCLK DREQn	0	–	ns
DEOTXn setup time	t_{DTXS}	SYSCLK DEOTXn	20	–	ns
DEOTXn hold time	t_{DTXH}	SYSCLK DEOTXn	0	–	ns

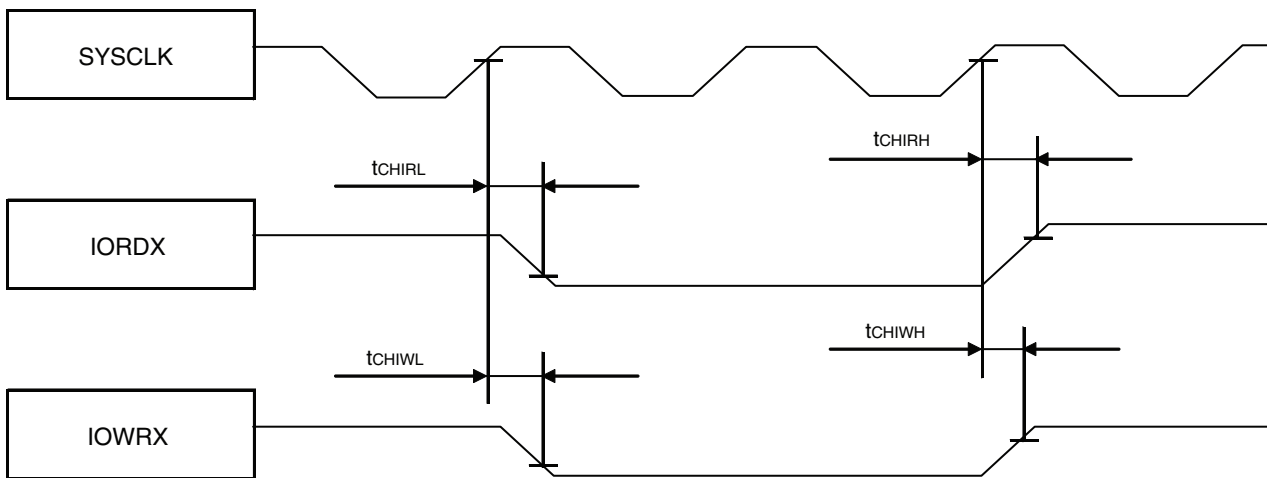
Note: DREQ and DEOTX must be applied for at least $5 \cdot t_{CLKT}$ to ensure that they are really sampled and evaluated. Under best case conditions (DMA not busy) only setup and hold times are required.



15.7.7.12 DMA Flyby Transfer

($V_{DD35} = 4.5\text{ V to }5.5\text{ V}$, $V_{SS5} = AV_{SS5} = 0\text{ V}$, $T_A = -40\text{ }^\circ\text{C}$ to $+125\text{ }^\circ\text{C}$)

Parameter	Symbol	Pin name	Value		Unit
			Min	Max	
SYSCLK \uparrow to IORDX delay time	t_{CHIRL}	SYSCLK IORDX	-2	8	ns
	t_{CHIRH}		0	4	ns
SYSCLK \uparrow to IOWRX delay time	t_{CHIWL}	SYSCLK IOWRX	-2	8	ns
	t_{CHIWH}		-1	3	ns



15.7.8 External Bus AC Timings at $V_{DD35} = 3.0$ to 4.5 V

■ Conditions during AC measurements

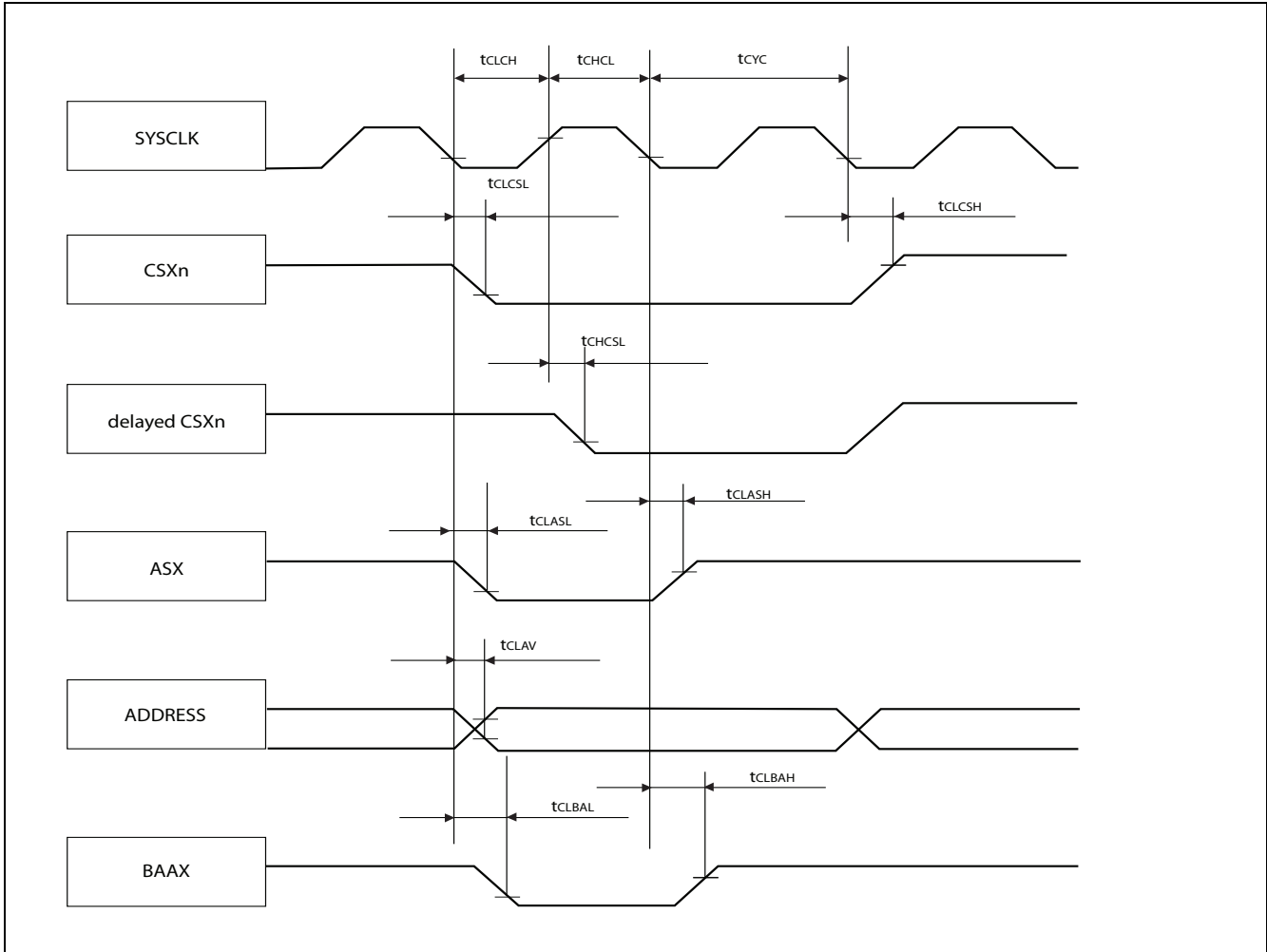
All AC tests were measured under the following conditions:

- $-I_{Odrive} = 5$ mA
- $-V_{DD35} = 3.0$ V to 4.5 V, $I_{load} = 3$ mA
- $-V_{SS5} = 0$ V
- $-T_a = -40$ °C to $+125$ °C
- $-C_l = 50$ pF
- $-VOL = 0.2 \cdot V_{DD35}$
- $-VOH = 0.8 \cdot V_{DD35}$
- $-EPILR = 0$, $PILR = 1$ (Automotive Level = worst case)

15.7.8.1 Basic Timing

($V_{DD35} = 3.0$ V to 4.5 V, $V_{ss5} = AV_{ss5} = 0$ V, $T_A = -40$ °C to $+125$ °C)

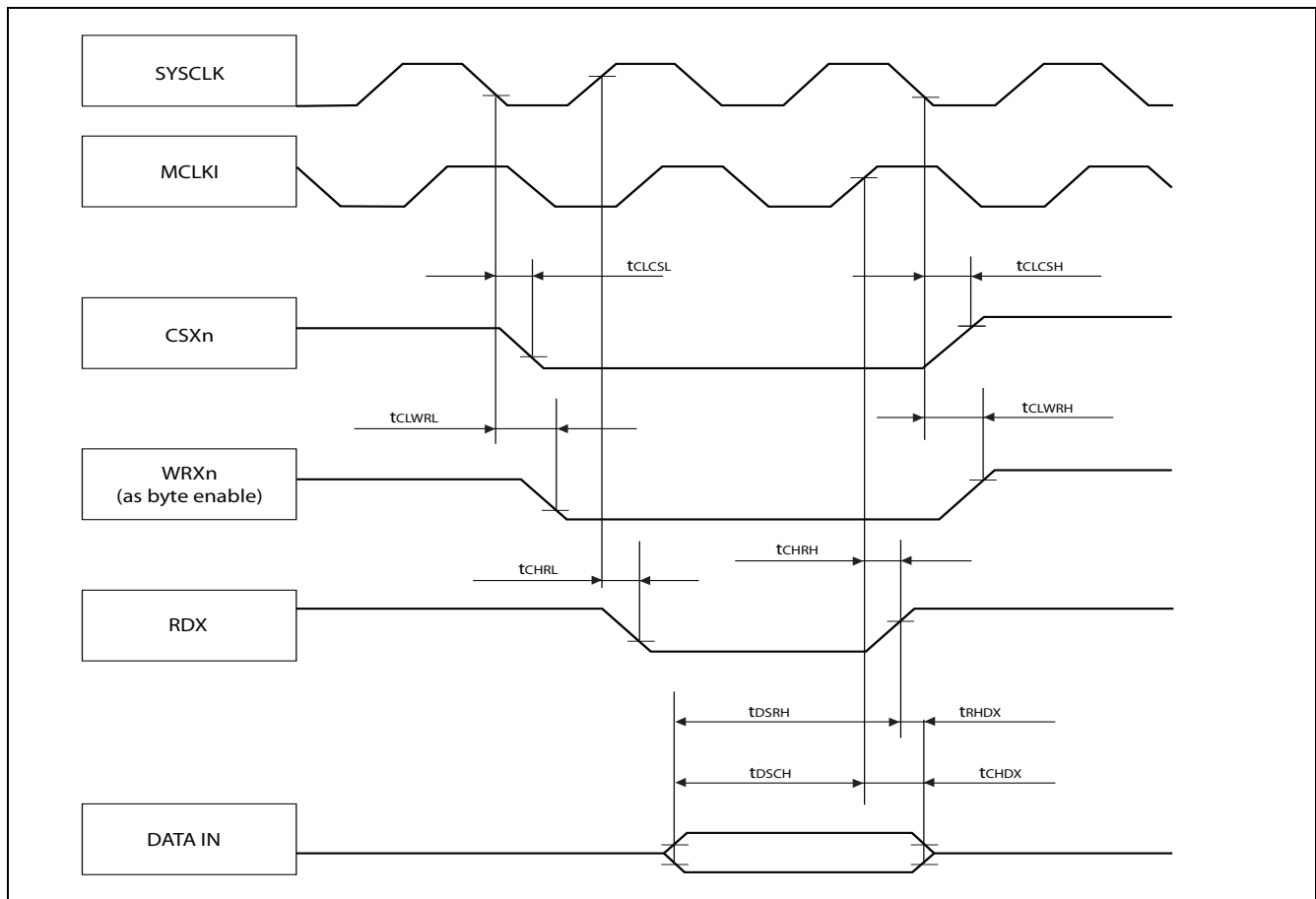
Parameter	Symbol	Pin name	Value		Unit
			Min	Max	
SYSCLK	t_{CLCH}	SYSCLK	$1/2 \cdot t_{CLKT} - 1$	$1/2 \cdot t_{CLKT} + 3$	ns
	t_{CHCL}		$1/2 \cdot t_{CLKT} - 3$	$1/2 \cdot t_{CLKT} + 1$	ns
SYSCLK ↓ to CSXn delay time	t_{CLCSL}	SYSCLK CSXn	–	9	ns
	t_{CLCSH}		–	7	ns
SYSCLK ↑ to CSXn delay time (Addr → CS delay)	t_{CHCSL}		– 1	4	ns
SYSCLK ↓ to ASX delay time	t_{CLASL}	SYSCLK ASX	–	5	ns
	t_{CLASH}		–	6	ns
SYSCLK ↓ to BAAX delay time	t_{CLBAL}	SYSCLK BAAX	–	6	ns
	t_{CLBAH}		0	–	ns
SYSCLK ↓ to Address valid delay time	t_{CLAV}	SYSCLK A27 to A0	–	13	ns



15.7.8.2 Synchronous/Asynchronous Read Access With External MCLKI Input

($V_{DD35} = 3.0\text{ V to }4.5\text{ V}$, $V_{SS5} = AV_{SS5} = 0\text{ V}$, $T_A = -40\text{ }^{\circ}\text{C to }+125\text{ }^{\circ}\text{C}$)

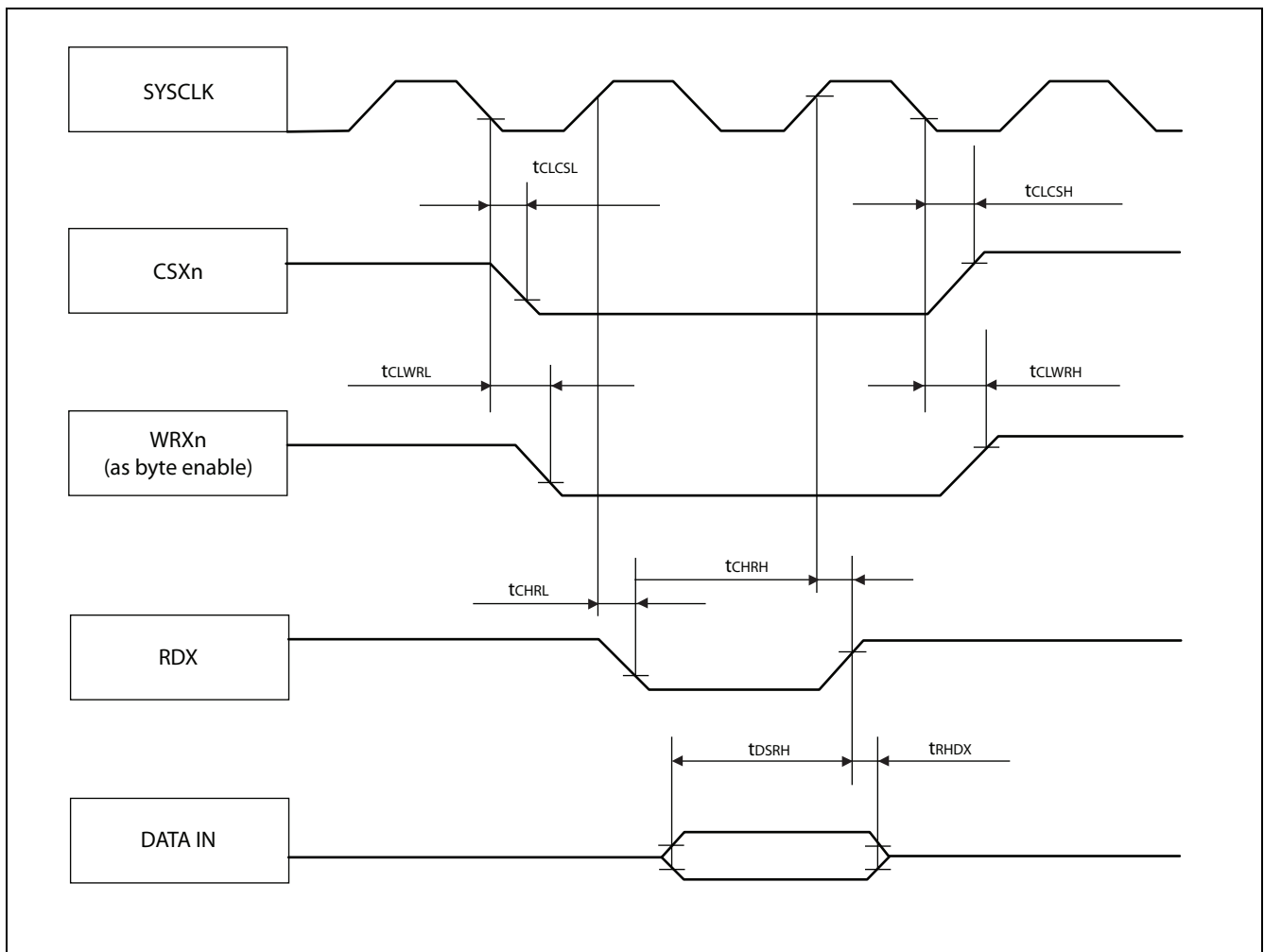
Parameter	Symbol	Pin name	Value		Unit
			Min	Max	
SYSCLK \uparrow /MCLKI \uparrow to RDX delay time	t_{CHRL}	SYSCLK RDX	- 1	3	ns
	t_{CHRH}	MCLKI RDX	11	25	ns
Data valid to RDX \uparrow setup time	t_{DSRH}	RDX D31 to D0	25	-	ns
RDX \uparrow to Data valid hold time (external MCLKI input)	t_{RHDX}	RDX D31 to D0	0	-	ns
Data valid to MCLKI \uparrow setup time	t_{DSCH}	MCLKI D31 to D0	1	-	ns
MCLKI \uparrow to Data valid hold time	t_{CHDX}	MCLKI D31 to D0	3	-	ns
SYSCLK \downarrow to WRXn (as byte enable) delay time	t_{CLWRL}	SYSCLK WRXn	-	5	ns
	t_{CLWRH}		- 1	-	ns
SYSCLK \downarrow to CSXn delay time	t_{CLCSL}	SYSCLK CSXn	-	5	ns
	t_{CLCSH}		-	6	ns



15.7.8.3 Synchronous/Asynchronous Read Access with Internal MCLKO --> MCLKI Feedback

($V_{DD35} = 3.0\text{ V to }4.5\text{ V}$, $V_{SS5} = AV_{SS5} = 0\text{ V}$, $T_A = -40\text{ }^\circ\text{C to }+125\text{ }^\circ\text{C}$)

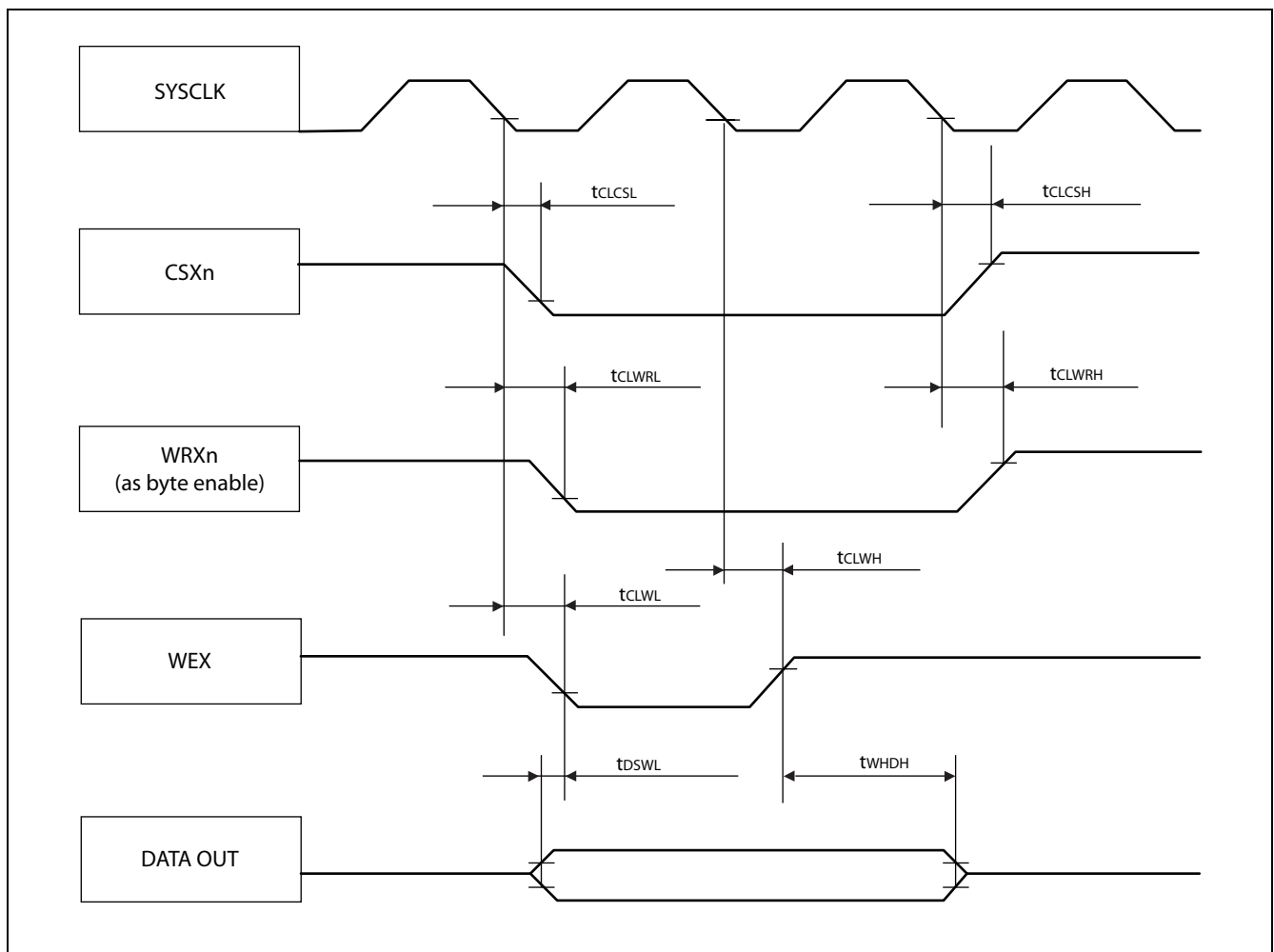
Parameter	Symbol	Pin name	Value		Unit
			Min	Max	
SYSCLK \uparrow to RDX delay time	t_{CHRL}	SYSCLK RDX	-1	3	ns
	t_{CHRH}	RDX	-2	4	ns
Data valid to RDX \uparrow setup time	t_{DSRH}	RDX D31 to D0	25	-	ns
RDX \uparrow to Data valid hold time (internal MCLKO \rightarrow MCLKI / /MCLKI feedback)	t_{RHDX}	RDX D31 to D0	0	-	ns
SYSCLK \downarrow to WRXn (as byte enable) delay time	t_{CLWRL}	SYSCLK WRXn	-	5	ns
	t_{CLWRH}	WRXn	-1	-	ns
SYSCLK \downarrow to CSXn delay time	t_{CLCSL}	SYSCLK CSXn	-	5	ns
	t_{CLCSH}	CSXn	-	6	ns



15.7.8.4 Synchronous Write Access - Byte Control Type

 ($V_{DD35} = 3.0\text{ V to }4.5\text{ V}$, $V_{SS5} = AV_{SS5} = 0\text{ V}$, $T_A = -40\text{ }^\circ\text{C to }+125\text{ }^\circ\text{C}$)

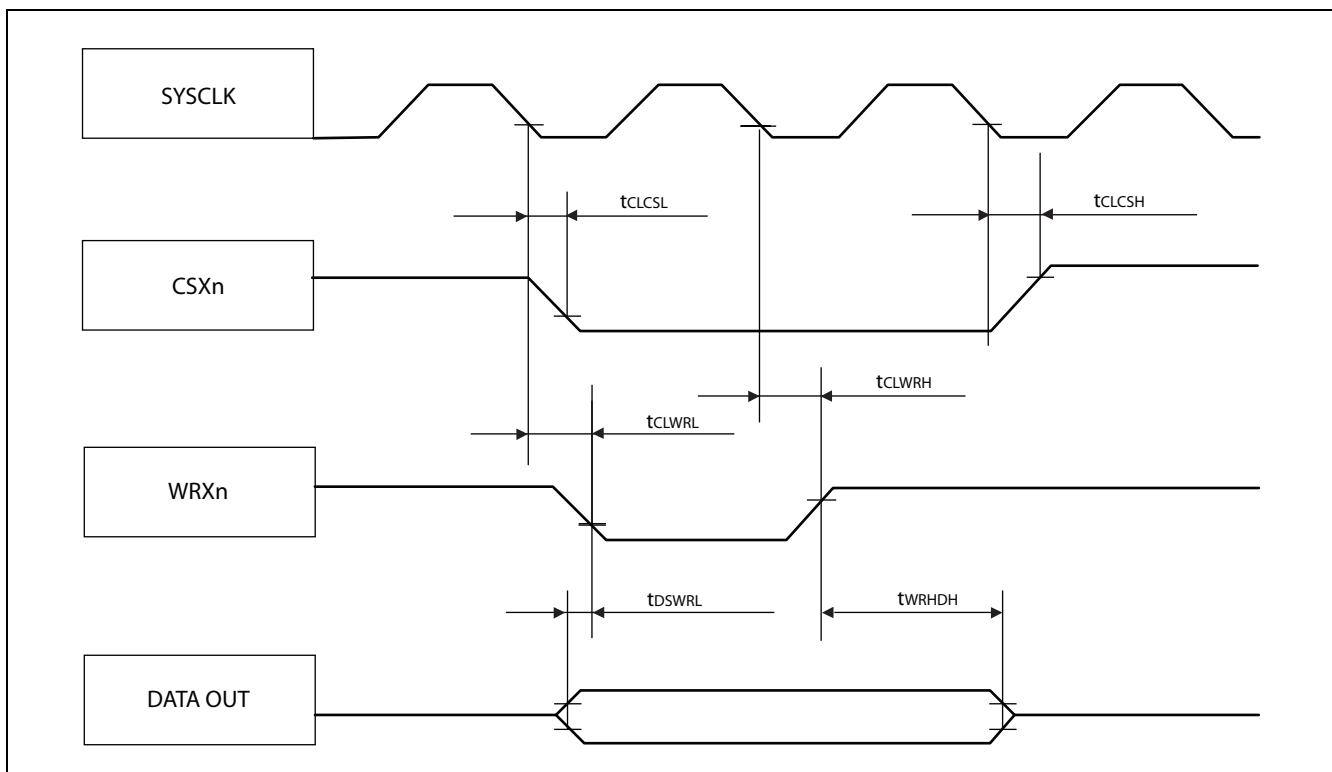
Parameter	Symbol	Pin name	Value		Unit
			Min	Max	
SYSCLK ↓ to WEX delay time	t_{CLWL}	SYSCLK WEX	-	5	ns
	t_{CLWH}		-1	-	ns
Data valid to WEX ↓ setup time	t_{DSWL}	WEX D31 to D0	-11	-	ns
WEX ↑ to Data valid hold time	t_{WHDH}	WEX D31 to D0	$t_{CLKT} - 13$	-	ns
SYSCLK ↓ to WRXn (as byte enable) delay time	t_{CLWRL}	SYSCLK WRXn	-	5	ns
	t_{CLWRH}		-1	-	ns
SYSCLK ↓ to CSXn delay time	t_{CLCSL}	SYSCLK CSXn	-	5	ns
	t_{CLCSH}		-	6	ns



15.7.8.5 Synchronous Write Access - No Byte Control Type

($V_{DD35} = 3.0\text{ V to }4.5\text{ V}$, $V_{SS5} = AV_{SS5} = 0\text{ V}$, $T_A = -40\text{ }^{\circ}\text{C to }+125\text{ }^{\circ}\text{C}$)

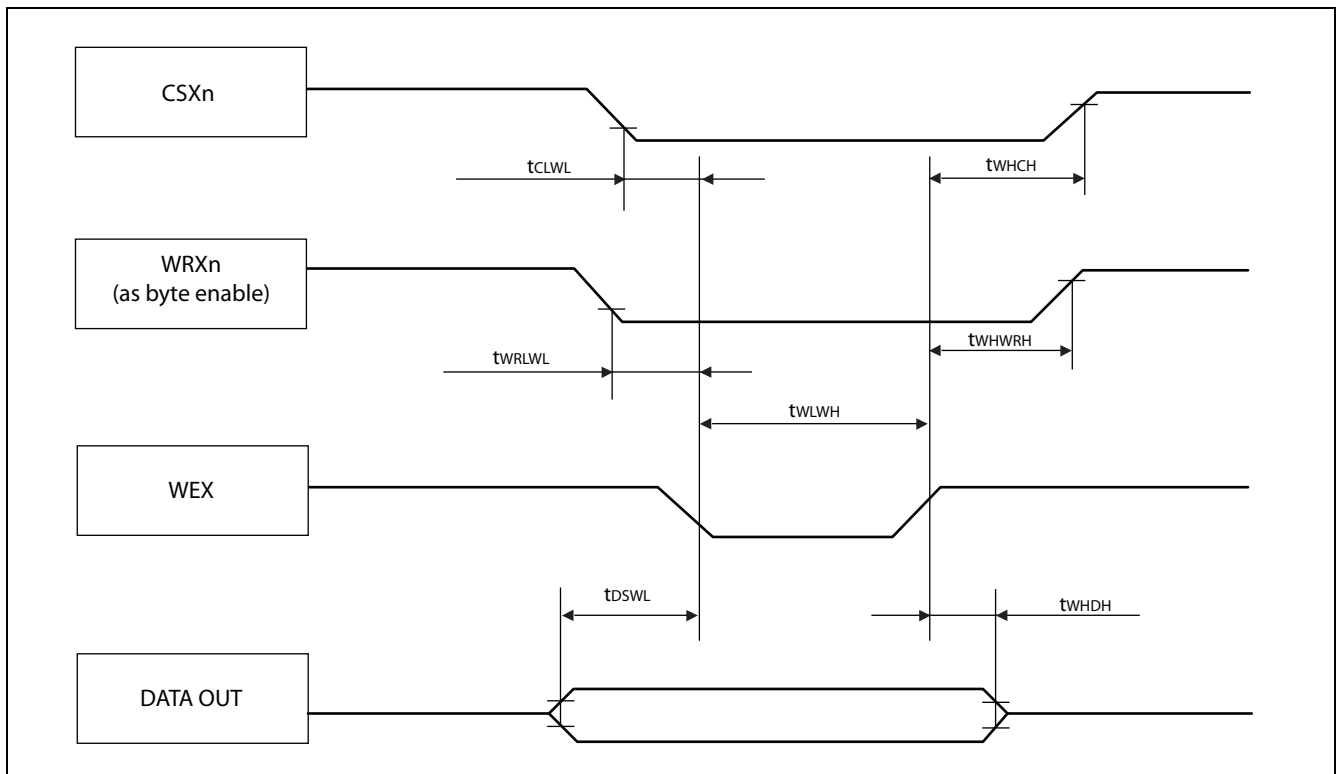
Parameter	Symbol	Pin name	Value		Unit
			Min	Max	
SYSCLK ↓ to WRXn delay time	t_{CLWRL}	SYSCLK WRXn	-	5	ns
	t_{CLWRH}		-1	-	ns
Data valid to WRXn ↓ setup time	t_{DSWRL}	WRXn D31 to D0	-11	-	ns
WRXn ↑ to Data valid hold time	t_{WRHDH}	WRXn D31 to D0	$t_{CLKT} - 13$	-	ns
SYSCLK ↓ to CSXn delay time	t_{CLCSL}	SYSCLK CSXn	-	5	ns
	t_{CLCSH}		-	6	ns



15.7.8.6 Asynchronous Write Access - Byte Control Type

 ($V_{DD35} = 3.0\text{ V to }4.5\text{ V}$, $V_{SS5} = AV_{SS5} = 0\text{ V}$, $T_A = -40\text{ }^\circ\text{C to }+125\text{ }^\circ\text{C}$)

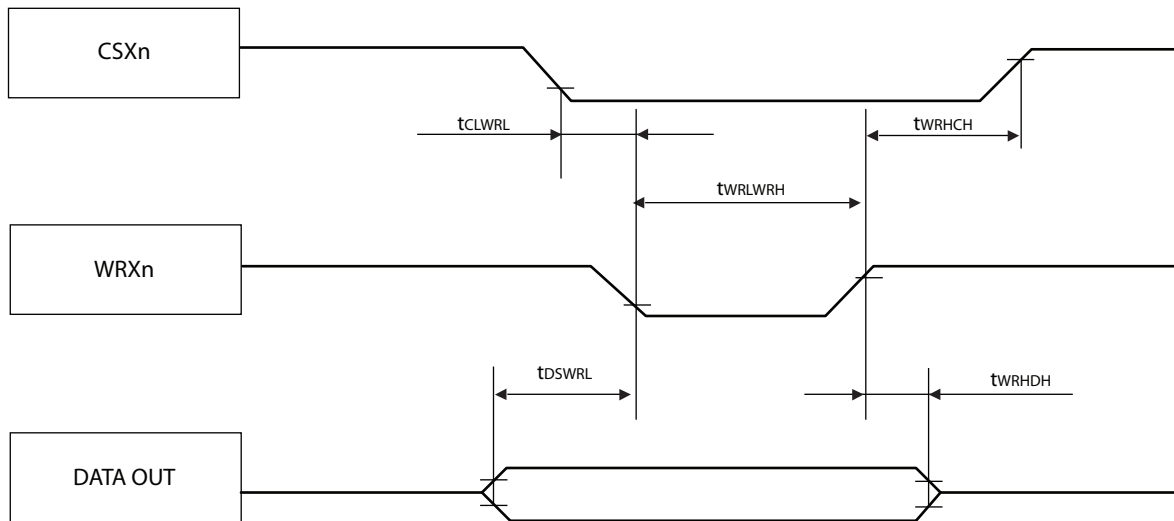
Parameter	Symbol	Pin name	Value		Unit
			Min	Max	
WEX ↓ to WEX ↑ pulse width	t_{WLWH}	WEX	$t_{CLKT} - 4$	–	ns
Data valid to WEX ↓ setup time	t_{DSWL}	WEX D31 to D0	$1/2 \cdot t_{CLKT} - 12$	–	ns
WEX ↑ to Data valid hold time	t_{WHDH}	WEX D31 to D0	$1/2 \cdot t_{CLKT} - 11$	–	ns
WEX to WRXn delay time	t_{WRLWL}	WEX WRXn	–	$1/2 \cdot t_{CLKT} + 1$	ns
	t_{WHWRH}		$1/2 \cdot t_{CLKT} - 1$	–	ns
WEX to CSXn delay time	t_{CLWL}	WEX CSXn	–	$1/2 \cdot t_{CLKT} - 1$	ns
	t_{WHCH}		$1/2 \cdot t_{CLKT} + 1$	–	ns



15.7.8.7 Asynchronous Write Access - No Byte Control Type

($V_{DD35} = 3.0\text{ V to }4.5\text{ V}$, $V_{SS5} = AV_{SS5} = 0\text{ V}$, $T_A = -40\text{ }^\circ\text{C to }+125\text{ }^\circ\text{C}$)

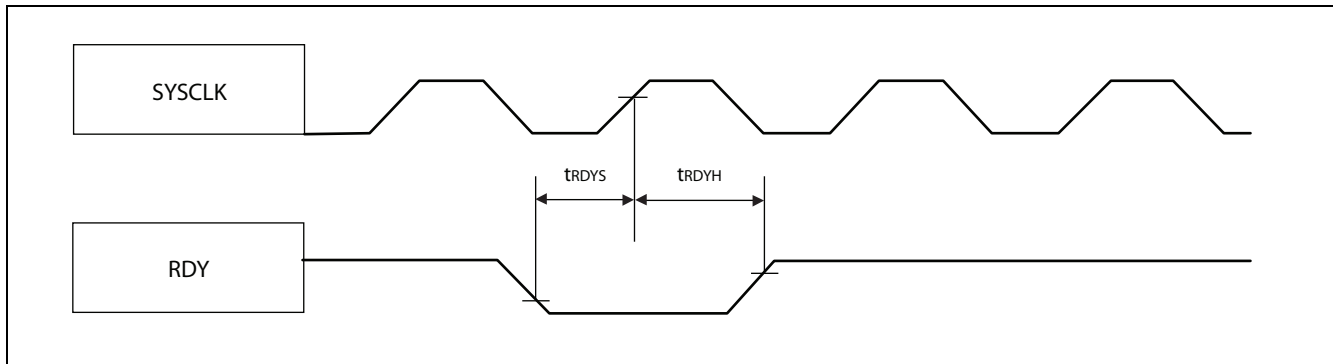
Parameter	Symbol	Pin name	Value		Unit
			Min	Max	
WRXn ↓ to WRXn ↑ pulse width	t_{WRLWRH}	WRXn	$t_{CLKT} - 3$	–	ns
Data valid to WRXn ↓ setup time	t_{DSWRL}	WRXn D31 to D0	$1/2 \cdot t_{CLKT} - 12$	–	ns
WRXn ↑ to Data valid hold time	t_{WRHDL}	WRXn D31 to D0	$1/2 \cdot t_{CLKT} - 11$	–	ns
WRXn to CSXn delay time	t_{CLWRL}	WRXn CSXn	–	$1/2 \cdot t_{CLKT} - 1$	ns
	t_{WRHCH}		$1/2 \cdot t_{CLKT} + 1$	–	ns



15.7.8.8 RDY Waitcycle Insertion

($V_{DD35} = 3.0\text{ V}$ to 4.5 V , $V_{SS5} = AV_{SS5} = 0\text{ V}$, $T_A = -40\text{ }^{\circ}\text{C}$ to $+125\text{ }^{\circ}\text{C}$)

Parameter	Symbol	Pin name	Value		Unit
			Min	Max	
RDY setup time	t_{RDYS}	SYCLK RDY	24	–	ns
RDY hold time	t_{RDYH}	SYCLK RDY	0	–	ns

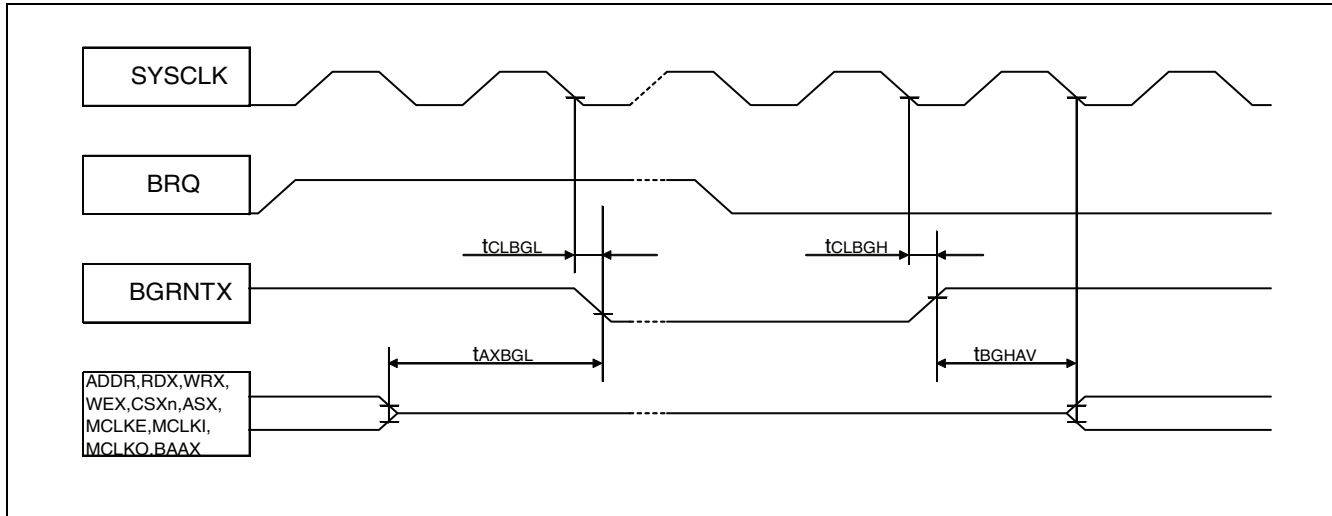


15.7.8.9 Bus Hold Timing

($V_{DD35} = 3.0\text{ V to }4.5\text{ V}$, $V_{SS5} = AV_{SS5} = 0\text{ V}$, $T_A = -40\text{ }^{\circ}\text{C to }+125\text{ }^{\circ}\text{C}$)

Parameter	Symbol	Pin name	Value		Unit
			Min	Max	
SYSCLK ↓ to BGRNTX delay time	t_{CLBGL}	SYSCLK BGRNTX	-	5	ns
	t_{CLBGH}		-	6	ns
Bus HIZ to BGRNTX ↓	t_{AXBGL}	BGRNTX MCLK* A0 to An RDX, ASX WRXn, WEX CSXn, BAAX	$t_{CLKT} + 2$	-	ns
BGRNTX ↑ to Bus drive	t_{BGHAV}		$t_{CLKT} - 2$	-	ns

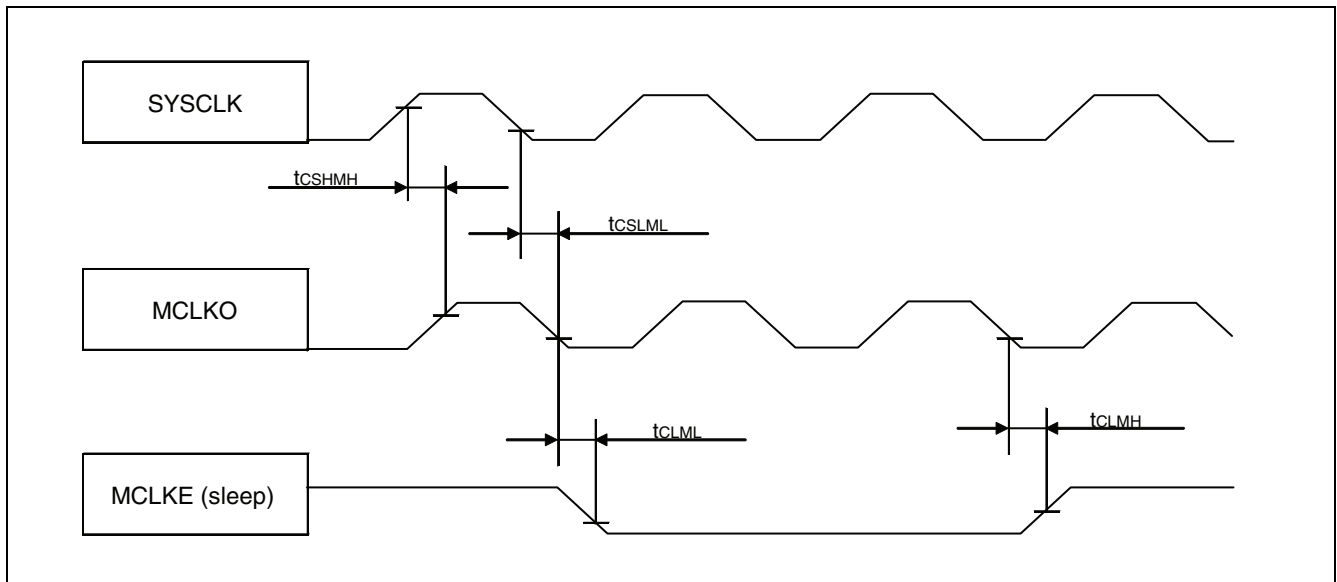
Note: BRQ must be kept High until the bus is granted (this is acknowledged by the falling edge of BGRNTX). It must be kept High as long as the bus shall be hold. After releasing the bus (BRQ set to Low) this is acknowledged by the rising edge of BGRNTX.



15.7.8.10 Clock Relationships

($V_{DD35} = 3.0\text{ V to }4.5\text{ V}$, $V_{SS5} = AV_{SS5} = 0\text{ V}$, $T_A = -40\text{ }^\circ\text{C to }+125\text{ }^\circ\text{C}$)

Parameter	Symbol	Pin name	Value		Unit
			Min	Max	
SYSCLK to MCLKO	t_{CSHMH}	SYSCLK MCLKO	1	5	ns
	t_{CSLML}		0	2	ns
MCLKO \downarrow to MCLKE (in sleep mode)	t_{CLML}	MCLKO MCLKE	-	4	ns
	t_{CLMH}		-3	-	ns

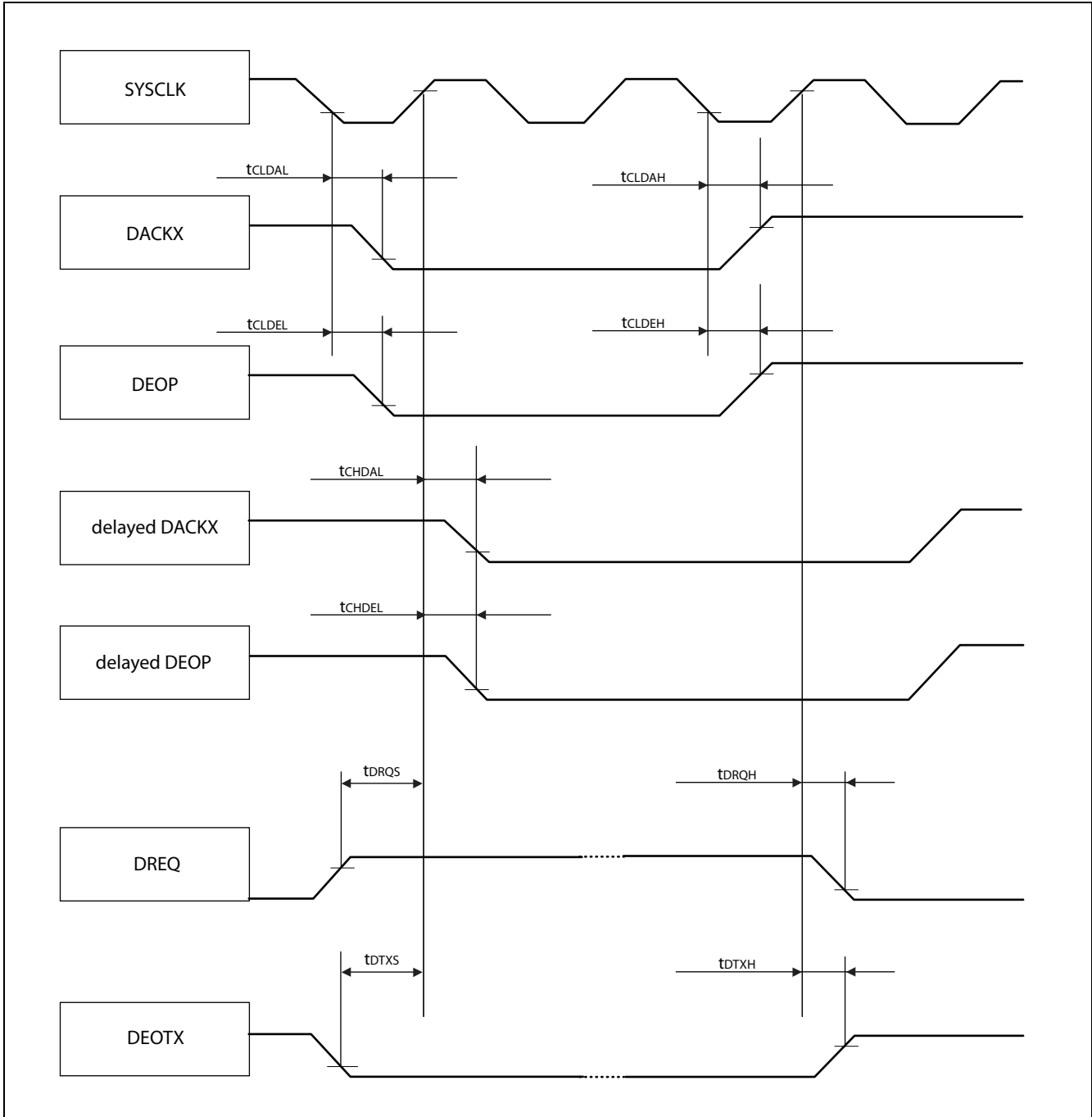


15.7.8.11 DMA Transfer

($V_{DD35} = 3.0\text{ V to }4.5\text{ V}$, $V_{SS5} = AV_{SS5} = 0\text{ V}$, $T_A = -40\text{ }^{\circ}\text{C to }+125\text{ }^{\circ}\text{C}$)

Parameter	Symbol	Pin name	Value		Unit
			Min	Max	
SYSCLK ↓ to DACKX delay time	t_{CLDAL}	SYSCLK DACKXn	–	9	ns
	t_{CLDAH}		–	7	ns
SYSCLK ↓ to DEOP delay time	t_{CLDEL}	SYSCLK DEOPn	–	8	ns
	t_{CLDEH}		–	7	ns
SYSCLK ↑ to DACKX delay time (ADDR → delayed CS)	t_{CHDAL}	SYSCLK DACKXn	0	8	ns
SYSCLK ↑ to DEOP delay time (ADDR → delayed CS)	t_{CHDEL}	SYSCLK DEOPn	–1	8	ns
DREQ setup time	t_{DRQS}	SYSCLK DREQn	25	–	ns
DREQ hold time	t_{DRQH}	SYSCLK DREQn	0	–	ns
DEOTXn setup time	t_{DTXS}	SYSCLK DEOTXn	26	–	ns
DEOTXn hold time	t_{DTXH}	SYSCLK DEOTXn	0	–	ns

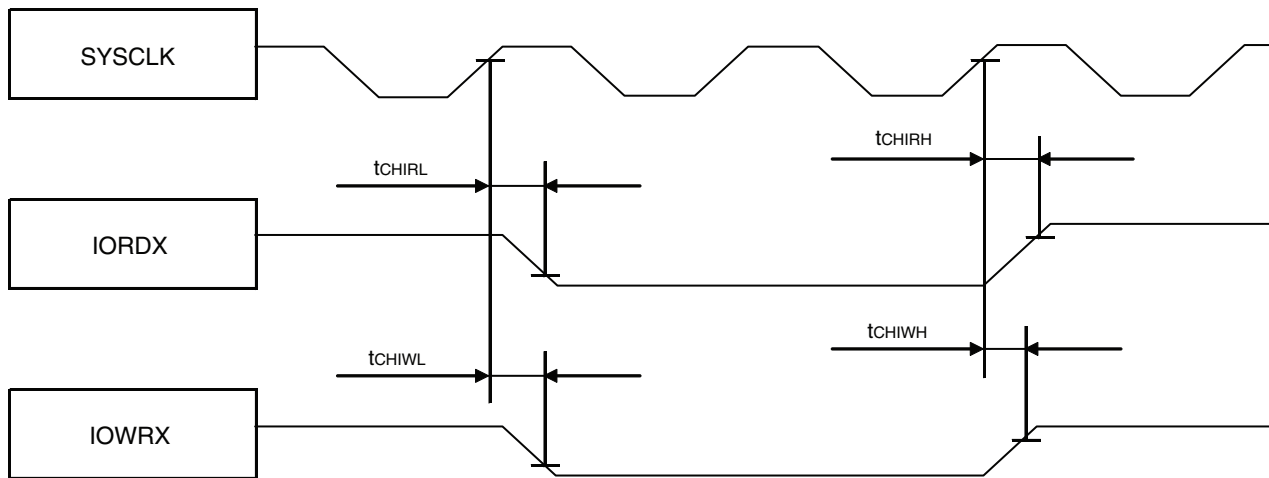
Note: DREQ and DEOTX must be applied for at least $5 \cdot t_{CLKT}$ to ensure that they are really sampled and evaluated. Under best case conditions (DMA not busy) only setup and hold times are required.



15.7.8.12 DMA Flyby Transfer

($V_{DD35} = 4.5\text{ V to }5.5\text{ V}$, $V_{SS5} = AV_{SS5} = 0\text{ V}$, $T_A = -40\text{ }^{\circ}\text{C to }+125\text{ }^{\circ}\text{C}$)

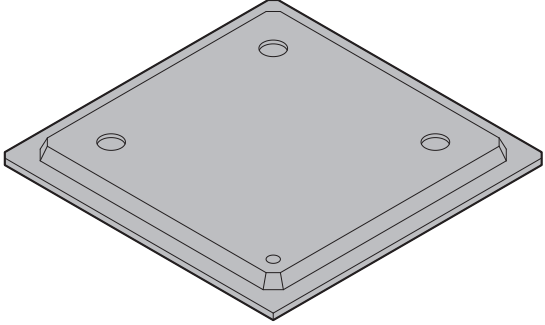
Parameter	Symbol	Pin name	Value		Unit
			Min	Max	
SYSCLK \uparrow to IORDX delay time	t_{CHIRL}	SYSCLK IORDX	-1	6	ns
	t_{CHIRH}		-2	3	ns
SYSCLK \uparrow to IOWRX delay time	t_{CHIWL}	SYSCLK IOWRX	0	5	ns
	t_{CHIWH}		-2	3	ns

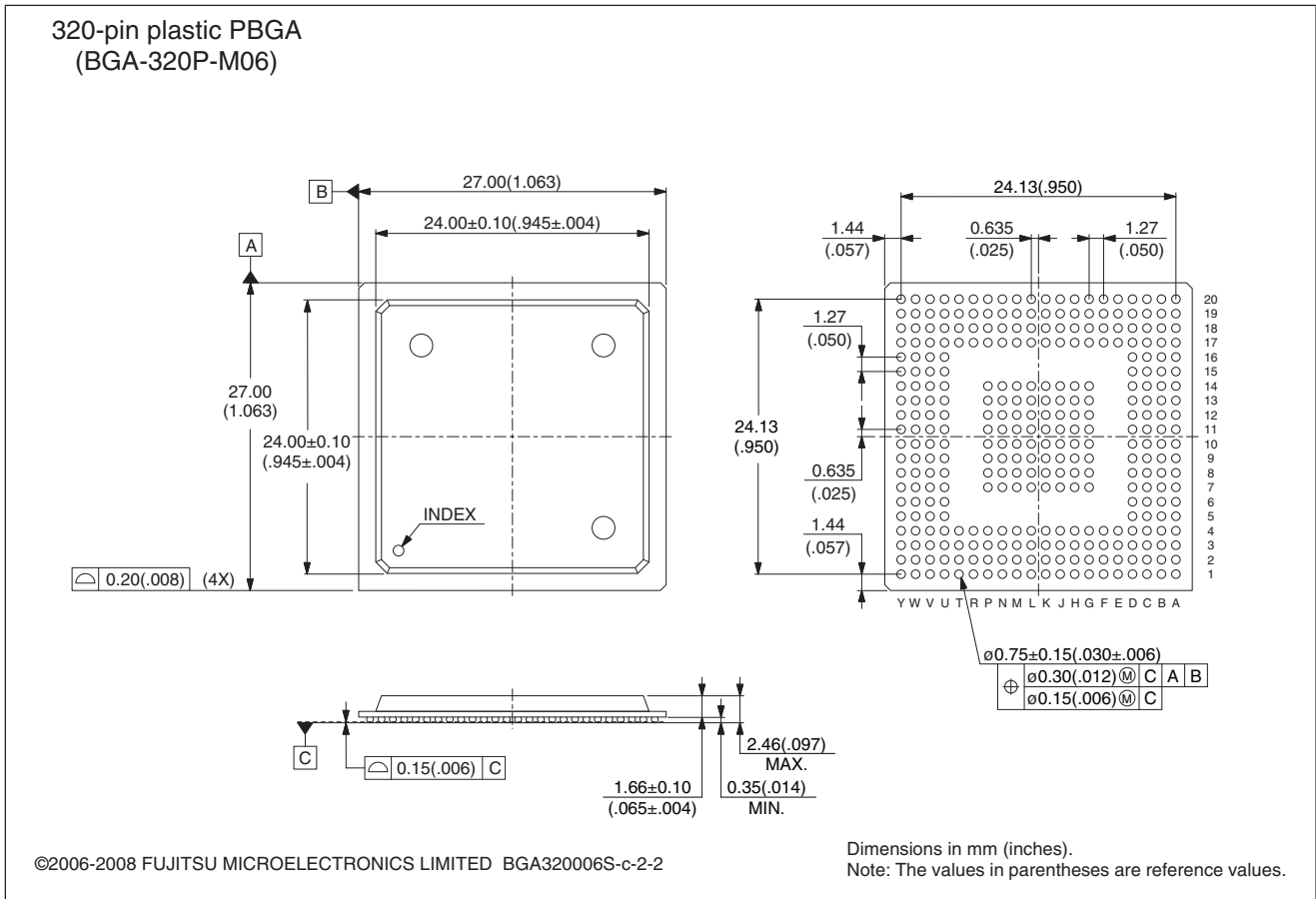


16. Ordering Information

Part number	Package	Remarks
MB91F469GAPB-GS	320-pin plastic BGA (BGA-320P-M06)	not recommended
MB91F469GBP-B-GS		not recommended
MB91F469GBP-B-GSE1		

17. Package Dimension

 <p>320-pin plastic PBGA</p> <p>(BGA-320P-M06)</p>	Lead pitch	1.27 mm
	Package width × package length	27.00 mm × 27.00 mm
	Lead shape	Ball
	Sealing method	Plastic mold
	Mounting height	2.46 mm Max
	Weight	2.90 g



18. Revision History

Spancion Publication Number: **DS07-16608-1E**

Version	Date	Remark
2.0	2008-01-08	Initial version
2.1	2008-01-11	I/O circuit type J2: Feedback resistor = approx. $2 * 5 \text{ M}\Omega$.
2.2	2008-02-01	Pins 257 to 320 are GND.
2.3	2008-02-04	Various changes after proofread by FJ
2.4	2008-02-15	Corrected product lineup table: No NMI function, updated disclaimer at the end
2.5	2008-02-22	Corrected naming and size of Flash-cache (F-cache)
2.6	2008-04-29	Flash Operation modes: Added note about the "flash access mode switching" incl. address in Boot ROM Flash parallel programming: wait times added
	2008-08-18	Product Lineup: corrected typos Pin Description: corrected CAN RX (is input only) IO Circuit Type: corrected typos Handling Devices: updated the "Notes on PS register" Interrupt Vector Table: corrected the footnotes Electrical Characteristics: removed the note that analog input/output pins cannot accept +B signal input. DC characteristics: updated PullUp/Down resistance values, corrected the table footnotes, splitted ILV into external and internal LV detection ADC Characteristics: Corrected the items about nonlinearity error FLASH memory parallel programming mode: added section "Poweron Sequence in parallel programming mode" FLASH memory program/erase characteristics: word programming time is for 16- and 32-bit Ordering information: updated the part numbers All pages: Kilobytes are now written with "K"
2.7	2008-08-19	DC characteristics: updated the current consumption values I_{CC} , I_{CCH}
3.0	2009-01-09	DC characteristics: corrected the current consumption values I_{CC} , I_{CCH} Added $T_a=125\text{C}$ characteristics

19. Main Changes in this Edition

Page	Section	Change Results
33	Block Diagram	Corrected alarm comparator input pin name. ALARM1 → ALARM_1
100	Electrical Characteristics 15.3. DC characteristics	Corrected output "L" voltage condition. $I_{OH} \rightarrow I_{OL}$
103	15.4. A/D converter characteristics	Corrected the explanation for "Zero reading voltage" and "Full scale reading voltage" in the table. Unit: LSB → V Value: AVRL - 1.5 → AVRL - 1.5 LSB AVRL + 0.5 → AVRL + 0.5 LSB AVRL + 2.5 → AVRL + 2.5 LSB AVRH - 3.5 → AVRH - 3.5 LSB AVRH - 1.5 → AVRH - 1.5 LSB AVRH + 0.5 → AVRH + 0.5 LSB
109	15.7. AC characteristics 15.7.3 LIN-USART Timings at VDD5 = 3.0 to 5.5 V	Corrected "• All AC tests were measured under the following conditions:". Ta: 125 . °C → 125 °C
111		Corrected the figures in "Internal clock mode (master mode)" and "External clock mode (slave mode)". $V_{OH} \rightarrow V_{IH}$, $V_{OL} \rightarrow V_{IL}$
112	15.7.4 I ² C AC Timings at VDD5 = 3.0 to 5.5 V	Corrected the explanation for "Rise time of both SDA and SCL signals" and "Fall time of both SDA and SCL signals" in the table. 0.1Cb → 0.1Cb

NOTE: Please see "Document History" for later revised information.

Document History

Document Title: MB91F469GA/F469GB, FR60 MB91460G Series, 32-bit Microcontroller Datasheet				
Document Number: 002-04606				
Revision	ECN	Orig. of Change	Submission Date	Description of Change
**	—	AKIH	05/25/2009	Migrated to Cypress and assigned document number 002-04606. No change to document contents or format.
*A	5218210	AKIH	04/20/2016	Updated to Cypress template

Sales, Solutions, and Legal Information

Worldwide Sales and Design Support

Cypress maintains a worldwide network of offices, solution centers, manufacturer's representatives, and distributors. To find the office closest to you, visit us at [Cypress Locations](#).

Products

ARM® Cortex® Microcontrollers	cypress.com/arm
Automotive	cypress.com/automotive
Clocks & Buffers	cypress.com/clocks
Interface	cypress.com/interface
Lighting & Power Control	cypress.com/powerpsoc
Memory	cypress.com/memory
PSoC	cypress.com/psoc
Touch Sensing	cypress.com/touch
USB Controllers	cypress.com/usb
Wireless/RF	cypress.com/wireless

PSoC® Solutions

[PSoC 1](#) | [PSoC 3](#) | [PSoC 4](#) | [PSoC 5LP](#)

Cypress Developer Community

[Forums](#) | [Projects](#) | [Video](#) | [Blogs](#) | [Training](#) | [Components](#)

Technical Support

cypress.com/support

ARM and Cortex are the trademarks of ARM Limited in the EU and other countries

© Cypress Semiconductor Corporation 2009-2016. This document is the property of Cypress Semiconductor Corporation and its subsidiaries, including Spansion LLC ("Cypress"). This document, including any software or firmware included or referenced in this document ("Software"), is owned by Cypress under the intellectual property laws and treaties of the United States and other countries worldwide. Cypress reserves all rights under such laws and treaties and does not, except as specifically stated in this paragraph, grant any license under its patents, copyrights, trademarks, or other intellectual property rights. If the Software is not accompanied by a license agreement and you do not otherwise have a written agreement with Cypress governing the use of the Software, then Cypress hereby grants you under its copyright rights in the Software, a personal, non-exclusive, nontransferable license (without the right to sublicense) (a) for Software provided in source code form, to modify and reproduce the Software solely for use with Cypress hardware products, only internally within your organization, and (b) to distribute the Software in binary code form externally to end users (either directly or indirectly through resellers and distributors), solely for use on Cypress hardware product units. Cypress also grants you a personal, non-exclusive, nontransferable, license (without the right to sublicense) under those claims of Cypress's patents that are infringed by the Software (as provided by Cypress, unmodified) to make, use, distribute, and import the Software solely to the minimum extent that is necessary for you to exercise your rights under the copyright license granted in the previous sentence. Any other use, reproduction, modification, translation, or compilation of the Software is prohibited.

CYPRESS MAKES NO WARRANTY OF ANY KIND, EXPRESS OR IMPLIED, WITH REGARD TO THIS DOCUMENT OR ANY SOFTWARE, INCLUDING, BUT NOT LIMITED TO, THE IMPLIED WARRANTIES OF MERCHANTABILITY AND FITNESS FOR A PARTICULAR PURPOSE. Cypress reserves the right to make changes to this document without further notice. Cypress does not assume any liability arising out of the application or use of any product or circuit described in this document. Any information provided in this document, including any sample design information or programming code, is provided only for reference purposes. It is the responsibility of the user of this document to properly design, program, and test the functionality and safety of any application made of this information and any resulting product. Cypress products are not designed, intended, or authorized for use as critical components in systems designed or intended for the operation of weapons, weapons systems, nuclear installations, life-support devices or systems, other medical devices or systems (including resuscitation equipment and surgical implants), pollution control or hazardous substances management, or other uses where the failure of the device or system could cause personal injury, death, or property damage ("Unintended Uses"). A critical component is any component of a device or system whose failure to perform can be reasonably expected to cause the failure of the device or system, or to affect its safety or effectiveness. Cypress is not liable, in whole or in part, and Company shall and hereby does release Cypress from any claim, damage, or other liability arising from or related to all Unintended Uses of Cypress products. Company shall indemnify and hold Cypress harmless from and against all claims, costs, damages, and other liabilities, including claims for personal injury or death, arising from or related to any Unintended Uses of Cypress products.

Cypress, the Cypress logo, Spansion, the Spansion logo, and combinations thereof, PSoC, CapSense, EZ-USB, F-RAM, and Traveo are trademarks or registered trademarks of Cypress in the United States and other countries. For a more complete list of Cypress trademarks, visit cypress.com. Other names and brands may be claimed as property of their respective owners.

X-ON Electronics

Largest Supplier of Electrical and Electronic Components

Click to view similar products for [32-bit Microcontrollers - MCU category](#):

Click to view products by [Cypress manufacturer](#):

Other Similar products are found below :

[MB91F575BHSPMC-GSE1](#) [MB91F594BSPMC-GSE1](#) [PIC32MX120F032B-50I/ML](#) [MB91F464AAPMC-GSE2](#) [MB91F577BHSPMC-GSE1](#)
[MB91F579CHSPMC1-GSE1](#) [MB91F528USCPMC-GSE2](#) [MB91F248PFV-GE1](#) [MB91F594BPMC-GSE1](#) [MB91243PFV-GS-136E1](#)
[MB91F577BHSPMC1-GSE1](#) [PIC32MM0032GPL020-E/ML](#) [PIC32MM0016GPL028-E/SS](#) [PIC32MM0016GPL028-E/ML](#)
[PIC32MM0032GPL028-E/ML](#) [PIC32MM0032GPL028-E/M6](#) [MB91F526KSEPMC-GSE1](#) [FT902L-T](#) [R5F564MLCDFB#31](#)
[R5F564MLCDFC#31](#) [R5F523E5ADFL#30](#) [R5F524TAADFF#31](#) [PIC32MM0064GPL028-I/ML](#) [PIC32MM0064GPL028-I/SP](#)
[PIC32MM0064GPL028-I/SO](#) [PIC32MX120F032D-I/TL](#) [PIC32MX130F064D-I/ML](#) [PIC32MZ2064DAB288-I/4J](#) [ATUC256L4U-AUT](#)
[R5F56318CDBG#U0](#) [PIC32MX150F128C-I/TL](#) [PIC32MX130F064C-ITL](#) [PIC32MX154F128B-V/SO](#) [AT32UC3L0128-AUT](#)
[PIC32MX150F128D-50I/TL](#) [PIC32MZ1064DAB288-I/4J](#) [PIC32MZ1064DAB169-I/HF](#) [ATUC64D4-Z1UT](#) [AT32UC3A3128S-CTUT](#)
[ATUC64L3U-Z3UT](#) [MEC1428-SZ-C1](#) [TMS320F28052FPNQ](#) [PIC32MX254F128B-V/SO](#) [AT32UC3L0256-ZAUT](#) [ATUC256L4U-ZAUT](#)
[PIC32MM0256GPM036-I/M2](#) [PIC32MZ2064DAA169-I/HF](#) [FIDO1100BGB208IR1](#) [FIDO1100PQF208IR1](#) [AT32UC3B1128-AUT](#)