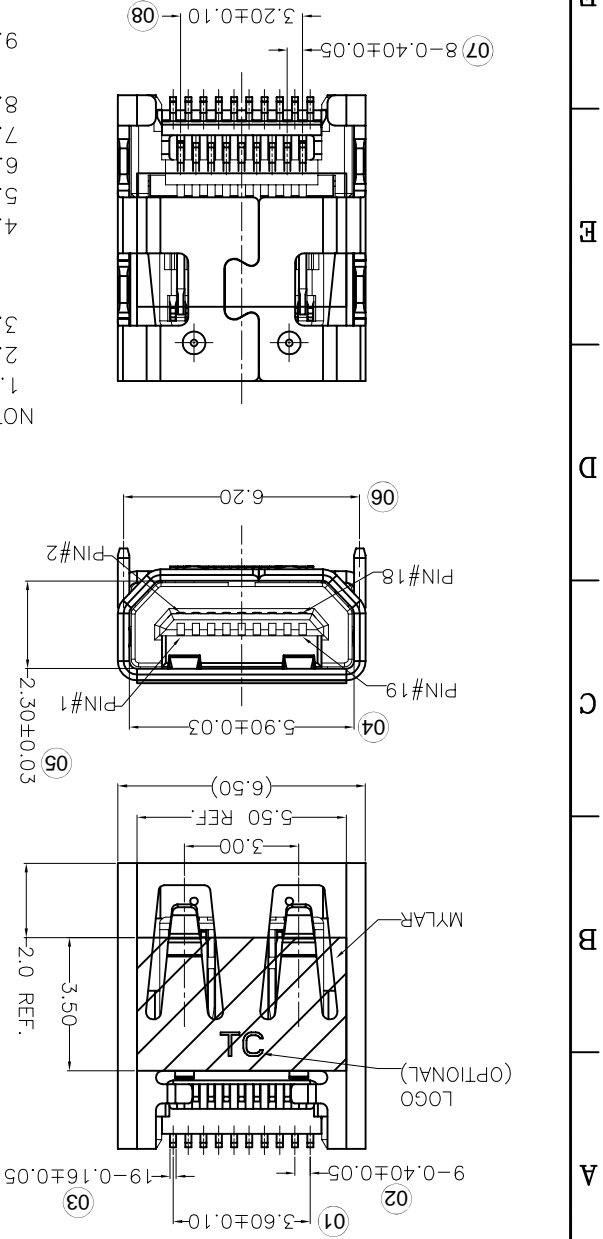


REV	ECN NO	DESCRIPTION	DATE
A	TE2012-0023	New Drawing	2012/02/06
B	TE2012-0351	Updating Drawing	2012/07/31
C	TE2016-0231	Updating Drawing	2016/11/24

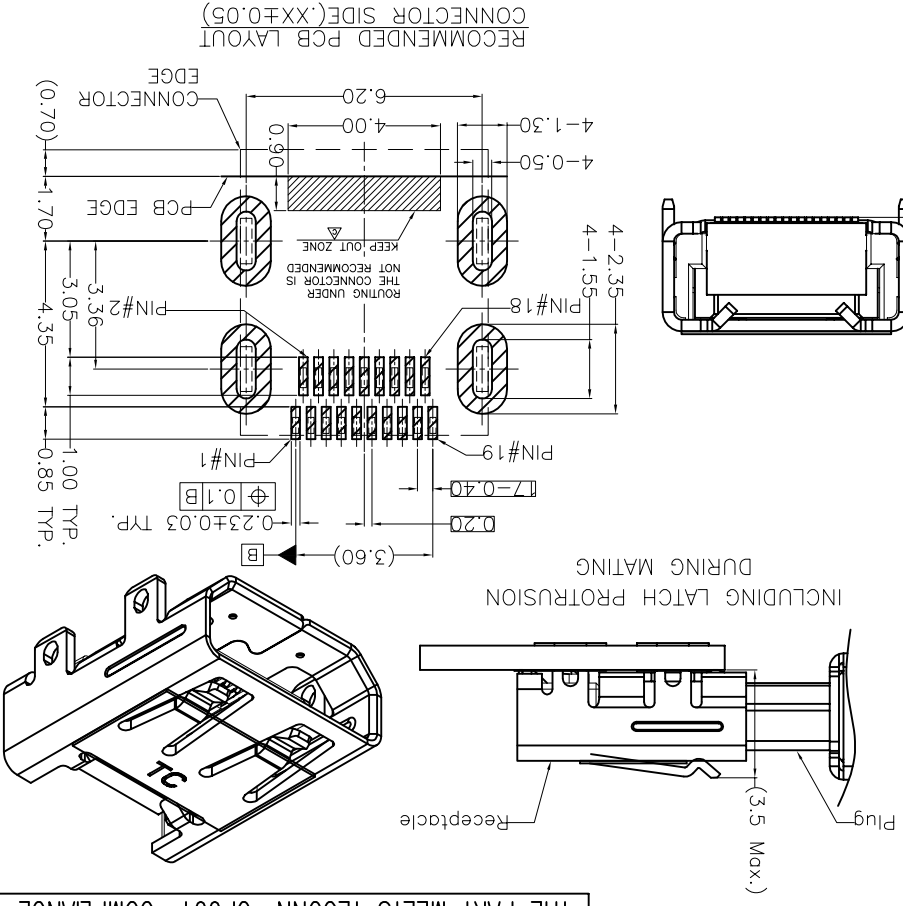


- NOTE:
1. CONTACT CURRENT RATING: 0.3 AMPERES.
 2. VOLTAGE: 40 VAC MAXIMUM.
 3. DIELECTRIC WITHSTANDING VOLTAGE: UNMATED CONNECTORS, APPLY: 250V AC(RMS).
 4. CONTACT RESEATANCE: 10 MILLIOHMS MAXIMUM.
 5. INSULATION RESISTANCE: 100 MEGOHMS MINIMUM.
 6. OPERATING TEMPERATURE: -25°C~80°C.
 7. INSERTION FORCE: 44.1N MAXIMUM.
 8. WITHDRAWAL FORCE: 5~25N, AFTER 5,000 CYCLES.
 9. PART NO.: A151902-A(B)-XX-R

CONNECTION	SIGNALS
FIRST MAKE	CONNECTOR SHELL
SECOND MAKE	PINS 1-18
THIRD MAKE	PIN19(+5V POWER)

PIN SIGNAL ASSIGNMENT	
1	HOT PLUG DETECT
2	UTILITY
3	TMDS DATA2+
4	TMDS DATA2 SHIELD
5	TMDS DATA2-
6	TMDS DATA1+
7	TMDS DATA1 SHIELD
8	TMDS DATA1-
9	TMDS DATA0+
10	TMDS DATA0 SHIELD
11	TMDS DATA0-
12	TMDS CLOCK+
13	TMDS CLOCK SHIELD
14	TMDS CLOCK-
15	CEC
16	DDC/CEC GROUND
17	SCD
18	SDA
19	+5V Power

PIN SIGNAL ASSIGNMENT	
1	HOT PLUG DETECT
2	UTILITY
3	TMDS DATA2+
4	TMDS DATA2 SHIELD
5	TMDS DATA2-
6	TMDS DATA1+
7	TMDS DATA1 SHIELD
8	TMDS DATA1-
9	TMDS DATA0+
10	TMDS DATA0 SHIELD
11	TMDS DATA0-
12	TMDS CLOCK+
13	TMDS CLOCK SHIELD
14	TMDS CLOCK-
15	CEC
16	DDC/CEC GROUND
17	SCD
18	SDA
19	+5V Power



THE PART MEETS TECONN "GP001" COMPLIANCE

ITEM	TITLE	MATERIAL	DESCRIPTION	REMARK
1	9PIN TERMINAL	COPPER ALLOY C5210	CONTACT AREA:AU (SEE P/N);	T=0.12
2	10PIN TERMINAL	LCP	UL94V-0	BLACK
3	9PIN INSERTMOLD	STAINLESS STEEL SUS304	PLATING:HALF-BRIGHT TIN	T=0.30
4	10PIN INSERTMOLD	MYLAR	TRANSLUCENCY	1PC

APPR: Henry Sun	CHKD: Henry Sun	DR: Lina kui	UNITS: mm	SCALE: 5:1	DWG NO: C-A151902-A(B)-XX-R	REV: C
X ± 0.35	X ± 0.25	X ± 0.15	X ± 1.5°		PART NO: A151902-A(B)-XX-R	SHEET:10/11
					TITLE: HDMI TYPE D RECEPTACLE	
					CONNECTOR	
					CUSTOMER DRAWING	
					TECONN	
					泰康电子	

X-ON Electronics

Largest Supplier of Electrical and Electronic Components

Click to view similar products for [DIN Connectors](#) category:

Click to view products by [CZT](#) manufacturer:

Other Similar products are found below :

[60KD4M](#) [12DL6MX](#) [12JL6M](#) [164-183](#) [17DN100-EX](#) [17DN101-EX](#) [SMD7FRA011](#) [16PJ224-E](#) [171-0278](#) [17PP048-EX](#) [M55116/1-2](#)
[KQLAX-8P](#) [M55116/10-0](#) [SMD5FRA021](#) [15AN84X](#) [13AL6FX](#) [61GA5F](#) [152-002-2-4](#) [0134 05](#) [MDC-004](#) [MDC-104](#) [MDC-204](#) [MDC-208](#)
[12BPKG](#) [DC-001](#) [DC-007](#) [591-0400](#) [591-0500](#) [DS1093-01-BN40](#) [593-0700](#) [MJ-372-4](#) [MJ-372-6](#) [MJ-372-8](#) [57PC5M](#) [592-0301](#) [592-0511](#)
[164-377](#) [610-0520](#) [0105 05](#) [0105 08](#) [0107 08-1](#) [690-0300](#) [0132 05](#) [930009200 MAB 4](#) [930071200 MAB 5 S](#) [930303517 MAB 3100 S](#)
[GRAU](#) [930345200 MAB 8 S](#) [930356517 MAS 70 S GRAU](#) [930952517 MAB 5100](#) [930954517 MAB 6100 GRAU](#)