



DAGON Company  
64-100 Leszno  
ul. Jackowskiego 24  
Poland



## KSG I/U

Galvanic separator and signal converter  
analog current signal  
0/4-20mA for analogue voltage signal 0-10V  
in a housing for a DIN rail

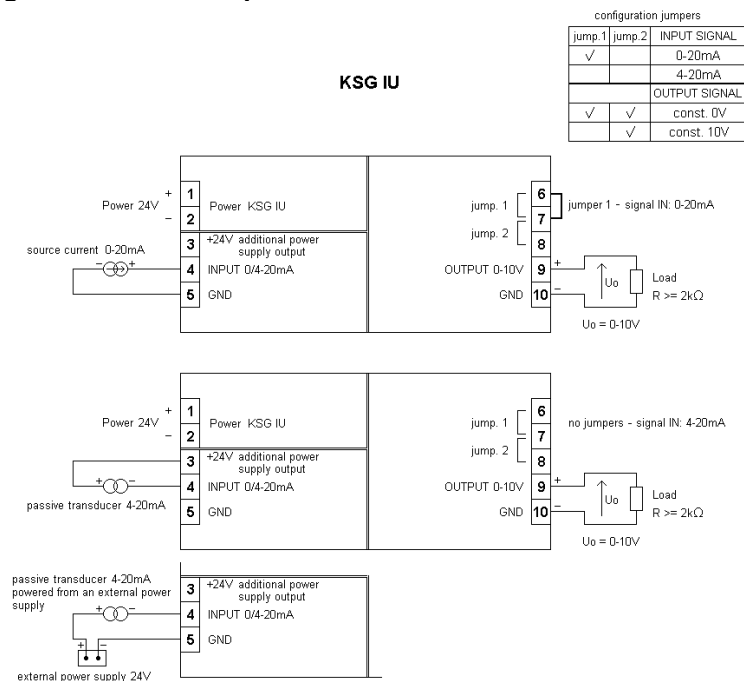


KSG I / U is primarily used to provide galvanic separation between two analogue signal circuits. In addition, it converts a 0-20mA or 4-20mA analog current signal into a 0-10V analog voltage signal.

The device can work with an input signal of 0-20mA or 4-20mA converting it into a 0-10V voltage signal. It is also possible to force an analog output to a constant 0V or 10V signal regardless of the current input signal value. There are therefore 4 modes of operation of the device, which are selected using two jumpers.

The analog input can also be connected to a 2-wire passive transducer of any physical size (eg temperature, pressure) operating in the standard of 4-20mA.

### Connection diagram of KSG I/U separator.



## Technical data KSG I/U.

### Power supply:

- power supply voltage: **24V +/-10%**
- power consumption:
  - **30mA max, with an unloaded auxiliary power supply output**
  - **60mA max, using additional power supply**
  - **80mA max, when the auxiliary power supply is shorted to ground and shorted voltage output to ground**

### The additional power supply output:

- power supply voltage: **24V +/-10% un stabilized**
- voltage drop: **max 3V at the output current 20mA**
- current limit: **30mA - protection against short circuit to ground**
- level of ripple: **+/-0.2V**

### Current input:

- voltage drop at the entrance: **5V max, at 20mA (corresponds to the input resistance 250Ω)**
- current limit: **30mA - protection against applying too high voltage - max 30V**

### Voltage output:

- load resistance: **2kΩ or more**
- short-circuit protection: **30mA - protection against short circuit to ground**

- accuracy of analog signal processing: **+/- 0.2%**
- response / conversion time (10-90%): **0.3sek**
- separation (U/In/Out): **1kV, 50Hz, 1 min**
- operating temperature range: **0-65 °C**
- relative humidity range: **0-90% (without condensation)**
- level of security: **IP20**
- work position: **any**
- housing dimensions: **17.5 x 94 x 65 mm**
- assembly: **in a housing for a DIN rail (TS35)**

## X-ON Electronics

Largest Supplier of Electrical and Electronic Components

*Click to view similar products for [Measuring Tools](#) category:*

*Click to view products by [DAGON](#) manufacturer:*

Other Similar products are found below :

[G336](#) [M225203-01](#) [G426](#) [G1333](#) [G1327](#) [G1154](#) [G1150](#) [G1152](#) [G1157](#) [G1153](#) [G1155](#) [G1009](#) [1051-03](#) [121010D](#) [121050D](#) [25541](#) [8255](#)  
[NF-221200130](#) [20323](#) [20329](#) [20363](#) [20365](#) [20515](#) [20516](#) [G800](#) [G1229](#) [5205000](#) [5206000](#) [5223000](#) [6921000](#) [YT-30061](#) [W002900](#)  
[W061008](#) [W061009](#) [W061010](#) [W062004](#) [W066005](#) [W066006](#) [15225](#) [15228](#) [16135](#) [16456](#) [17215](#) [17218](#) [17221](#) [17670](#) [17672](#) [17677](#)  
[17953](#) [18115](#)