



DAGON Company
64-100 Leszno
ul. Jackowskiego 24
Poland



KSG U/I

Galvanic separator and signal converter
analog voltage signal 0-10V
for analog current signal 0/4-20mA
in a housing for a DIN rail

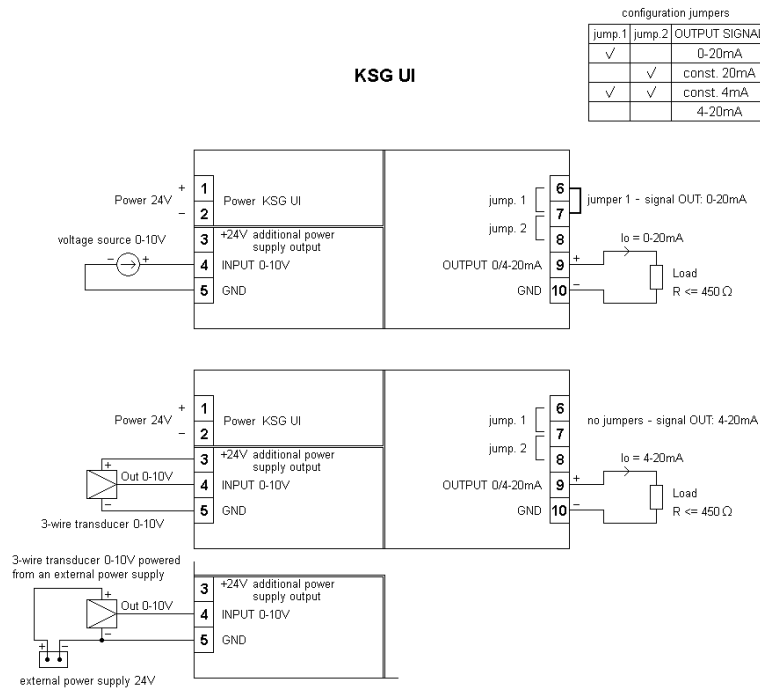


KSG U / I is primarily used to provide galvanic separation between two circuits of analog signals. In addition, it converts the analog 0-10V signal into a 0 / 4-20mA analog current signal.

The device can convert the input voltage signal 0-10V to a current signal of 0-20mA or 4-20mA. There is also the possibility of forcing a constant value of 4mA or 20mA on the current output regardless of the value of the voltage input signal. There are therefore 4 modes of operation of the device, which are selected using two jumpers.

The analogue input can also be connected to a 3-wire transmitter. Of any physical size (eg temperature, pressure) operating in the 0-10V standard.

Connection diagram of KSG U/I separator.



Technical data KSG U/I.

Power supply:

- power supply voltage: **24V +/-10%**
- power consumption:
 - **30mA max, with unloaded auxiliary power supply and no load current output**
 - **40mA max, with the current on the analogue output equal to 20mA**
 - **70mA max, with a current on the analogue output equal to 20mA and additional power output short-circuit to ground**

The additional power supply output:

- power supply voltage: **24V +/-10% unstabilized**
- voltage drop: **max 3V at the output current 20mA**
- current limit: **30mA - protection against short circuit to ground**
- level of ripple: **+/-0.2V**

Voltage input:

- input resistance: **>= 220kΩ**

Current output:

- load resistance: **max 450Ω**
- accuracy of analog signal processing: **+/- 0.2%**
- response / conversion time (10-90%): **0.3sek**
- separation (U/In/Out): **1kV, 50Hz, 1 min**
- operating temperature range: **0-65 °C**
- relative humidity range: **0-90% (without condensation)**
- level of security: **IP20**
- work position: **any**
- housing dimensions: **17.5 x 94 x 65 mm**
- assembly: **in a housing for a DIN rail (TS35)**

X-ON Electronics

Largest Supplier of Electrical and Electronic Components

Click to view similar products for [Measuring Tools](#) category:

Click to view products by [DAGON](#) manufacturer:

Other Similar products are found below :

[G336](#) [M225203-01](#) [G426](#) [G1333](#) [G1327](#) [G1154](#) [G1150](#) [G1152](#) [G1157](#) [G1153](#) [G1155](#) [G1009](#) [1051-03](#) [121010D](#) [121050D](#) [25541](#) [8255](#)
[NF-221200130](#) [20323](#) [20329](#) [20363](#) [20365](#) [20515](#) [20516](#) [G800](#) [G1229](#) [5205000](#) [5206000](#) [5223000](#) [6921000](#) [YT-30061](#) [W002900](#)
[W061008](#) [W061009](#) [W061010](#) [W062004](#) [W066005](#) [W066006](#) [15225](#) [15228](#) [16135](#) [16456](#) [17215](#) [17218](#) [17221](#) [17670](#) [17672](#) [17677](#)
[17953](#) [18115](#)