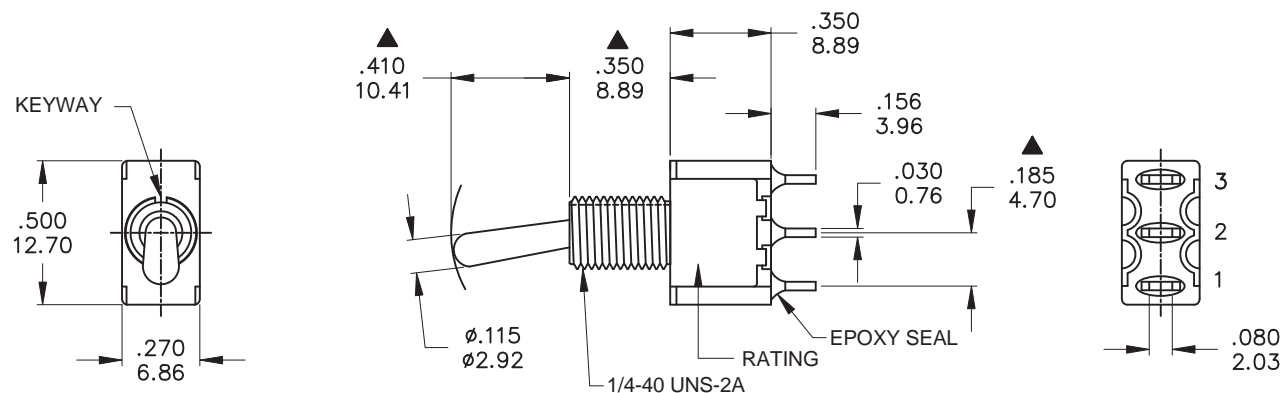


本公司智慧財產，未經同意不得複製  
DAILYWELL copyright, may not be used  
without permission from DAILYWELL

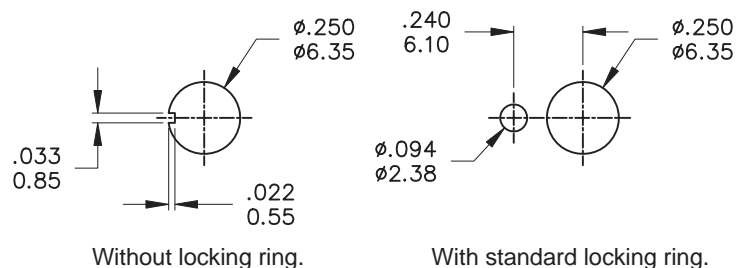


Model No.	POS.1	POS.2	POS.3
1MS1	ON	NONE	ON
Term. Comm.	2-3	N/A	2-1
SCHEMATIC			

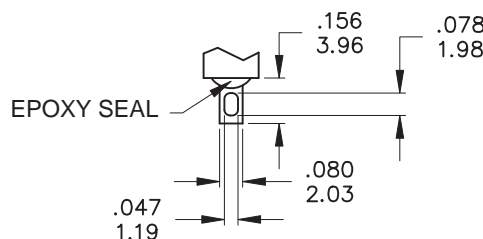
SWITCH FUNCTION

PART NO.	PART NAME	Q'TY
1 MNU-1M01A	1/4 INCH NUTS	2
2 MNU-1M02	LOCKING RING	1
3 MNU-1M03	LOCKING WASHER	1

FILE NAME:HARDWARE-0002



PANEL MOUNTING



SOLDER LUG



**SPECIFICATIONS**

**MECHANICAL LIFE:** 40,000 make-and-break cycles.  
**CONTACT RESISTANCE:** 10 mΩ max. initial @ 2-4VDC  
 100mA for both silver and gold plated contacts.  
**INSULATION RESISTANCE:** 1,000 MΩ min.  
**DIELECTRIC STRENGTH:** 1,000 Vrms min. @sea level.  
**OPERATING TEMPERATURE:** -40°C to 85°C.

**MATERIALS**

**CASE:** Diallyl phthalate (DAP) (UL94v-0).  
**ACTUATOR:** Brass,chrome plated.  
**BUSHING:** Brass,nickel plated.  
**HOUSING:** Stainless Steel.  
**TERMINAL/CONTACT:** Copper alloy.  
**RoHS & Lead Free**

	CONTACT PLATING	TERMINAL PLATING	RATINGS
Q	Silver	Q = Silver	5 Amps @120 VAC or 28VDC
C	Gold over Silver	C = Gold over silver	2 Amps @250 VAC
R	Gold	R = Gold	0.4 Volt-Amps(VA) max. @20V max. (AC or DC)

德利威電子股份有限公司  
DAILYWELL ELECTRONICS CO.,LTD.

符號	原尺寸	修改後尺寸	變更日期	SCALE (比例) : 3 : 2	TITLE 圖名	Miniature Toggle Switches	SIZE 圖紙	A4		
1	Ⓐ	操作溫度-30°C 修訂為-40°C	OCT-18-2017	TOLERANCE (公差) : 0.00 mm ± 0.25mm 0.0 mm ± 0.40mm ANGULAR : ± 5° FILE NAME : 1MSP0694	DWG NO. 圖號	1MS1T1B1M1QES-5	UNIT 單位	inch mm		
2	Ⓑ				REV. 版本	B	DATE 日期	JAN - 17 - 2006	SHEET 張數	1 of 1
3	Ⓒ				CHECKED BY 審核	陳燈財	DRAWN BY 製圖	BLUE		
4	Ⓓ									
5	Ⓔ									

## X-ON Electronics

Largest Supplier of Electrical and Electronic Components

*Click to view similar products for [Toggle Switches](#) category:*

*Click to view products by [Dailywell](#) manufacturer:*

Other Similar products are found below :

[A19HV](#) [8A1-C-222](#) [60012L](#) [6006L](#) [6663](#) [7101MD9V30GE](#) [7101SPDV30BE](#) [7103SDV30BE](#) [7105D](#) [7108P3YAV2BE](#) [71YY50282](#)  
[7201MD9AVBE](#) [7301K38](#) [7306K36](#) [7310K36](#) [7314K36](#) [7506K4](#) [7592K6](#) [7691K14](#) [7700K1](#) [8396K108](#) [8824K14](#) [8828K13](#) [G2VX](#) [G3VX](#)  
[PS83-121G](#) [A101MD9AB04](#) [A101SD9AB04](#) [A101SDCQ04](#) [A103SD9AQ04](#) [A107TZB04](#) [A123P32YZQ](#) [A123S1YZG](#) [A127S1YCQ](#) [1-](#)  
[1825192-0](#) [A131S1YZQ](#) [A201SCWZB04](#) [A207SYCB04](#) [A208J61ZQ0004](#) [A221K12KAG](#) [A221S1YZQ](#) [A221T1TCQ](#) [A232K12KZQ](#)  
[A232M1YCQ](#) [A323S1CWZQ](#) [A423S1CWZG-M8](#) [A423S1YZQ](#) [12149A-3V](#) [12156AX408](#) [12147AGKX679](#)