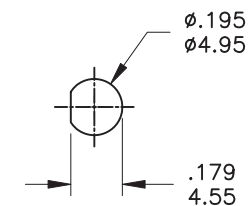
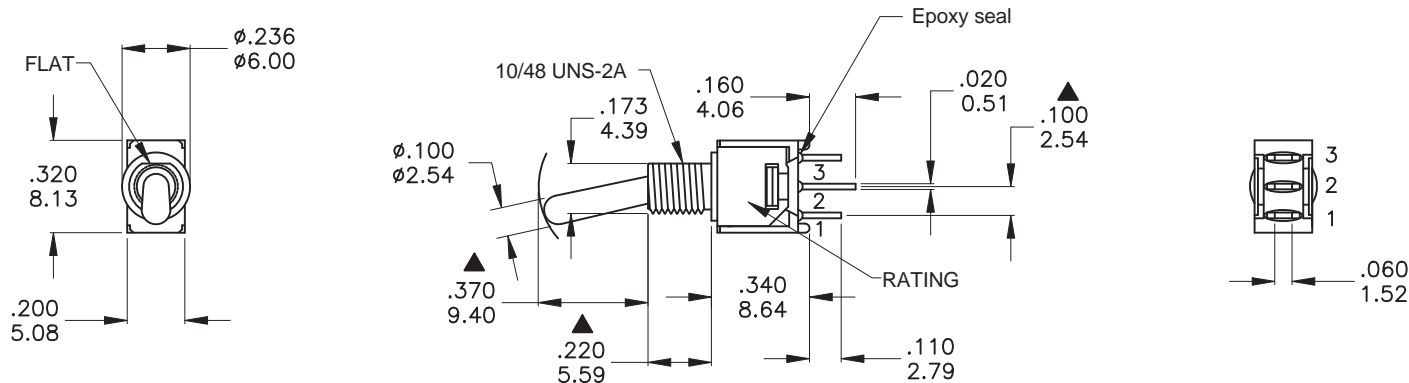
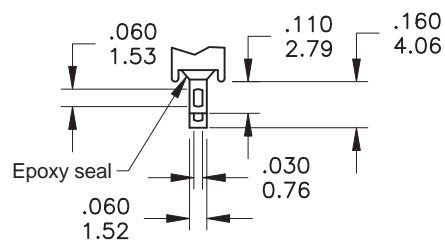


本公司智慧財產，未經同意不得複製
DAILYWELL copyright, may not be used
without permission from DAILYWELL



PANEL MOUNTING



SOLDER LUG

Model No.	POS.1	POS.2	POS.3
	2MS1	ON	NONE
Term. Comm.	2-3	N/A	2-1
SCHEMATIC			

SWITCH FUNCTION

	PART NO.	PART NAME	Q'TY
1	MNU-2M01	10-48 INCH NUTS	2
2	MNU-2M03	LOCKWASHER	1

FILE NAME:HARDWARE-0003



SPECIFICATIONS

MECHANICAL LIFE: 30,000 make-and-break cycles.
CONTACT RESISTANCE: 20 mΩ max. initial @ 2-4VDC
 100mA for both silver and gold plated contacts.
INSULATION RESISTANCE: 1,000 MΩ min.
DIELECTRIC STRENGTH: 1,000 Vrms min. @sea level.
OPERATING TEMPERATURE: -40°C to 85°C.

(A)

MATERIALS

CASE - Diallyl phthalate(DAP)(UL94V-0)
ACTUATOR - Brass,chrome plated
BUSHING - Brass,nickel plated
HOUSING - Stainless Steel
TERMINALS/CONTACT - Copper alloy.
RoHS & Lead Free

	CONTACT PLATING	TERMINAL PLATING	RATINGS
Q	Silver	Silver	3 Amps @120 VAC or 28VDC
C	Gold over Silver	Gold over silver	1 Amps @250 VAC
R	Gold	Gold	0.4 Volt-Amps(VA) max. @20V max. (AC or DC)

德利威電子股份有限公司
DAILYWELL ELECTRONICS CO.,LTD.

	符號	原尺寸	修改後尺寸	變更日期
1	(A)		操作溫度-30°C 修訂為-40°C	MAY-25-2018
2	(B)			
3	(C)			
4	(D)			
5	(E)			

SCALE (比例) : 3 : 2
TOLERANCE (公差) :
 0.00 mm ± 0.25mm
 0.0 mm ± 0.40mm
 ANGULAR : ± 2.54 mm
FILE NAME : 2MSP0628

TITLE 圖名	Sub - Miniature Toggle Switches <th>SIZE 圖紙</th> <td>A4</td>			SIZE 圖紙	A4
DWG NO. 圖號	2MS1T1B1M1QES-5			UNIT 單位	inch mm
REV. 版本	B	DATE 日期	AUG - 25 - 2009	SHEET 張數	1 of 1
CHECKED BY 審核	陳燈財		DRAWN BY 製圖	IRENE	

X-ON Electronics

Largest Supplier of Electrical and Electronic Components

Click to view similar products for [Toggle Switches](#) category:

Click to view products by [Dailywell](#) manufacturer:

Other Similar products are found below :

[8928K478](#) [8951K2998](#) [8951K3310](#) [8956K1283](#) [8956K1286](#) [8956K1287](#) [8961K155](#) [8A1-C-222](#) [020017-13](#) [0090-0001](#) [0121-0015](#) [CS115W](#)
[CS120W](#) [CS215I](#) [CS8275](#) [637H/25](#) [6663](#) [7101SPDV30BE](#) [7103SDV30BE](#) [7105D](#) [7108P3YAV2BE](#) [71YY50282](#) [7209SY9AQE](#)
[7209SYCBE](#) [7300K36](#) [7301K38](#) [7301SS24484](#) [7303KZQE](#) [7306K36](#) [7310K36](#) [7503K21](#) [7506K4](#) [7565K6](#) [7595K6](#) [7660K12](#) [7691K14](#)
[7700K1](#) [7704K3](#) [8391K108](#) [8396K108](#) [8811K17](#) [8812K14](#) [8824K14](#) [8825K5](#) [8828K13](#) [8835K3](#) [8858K44](#) [8E4011](#) [1202W](#)
[A201SCWZB04](#)