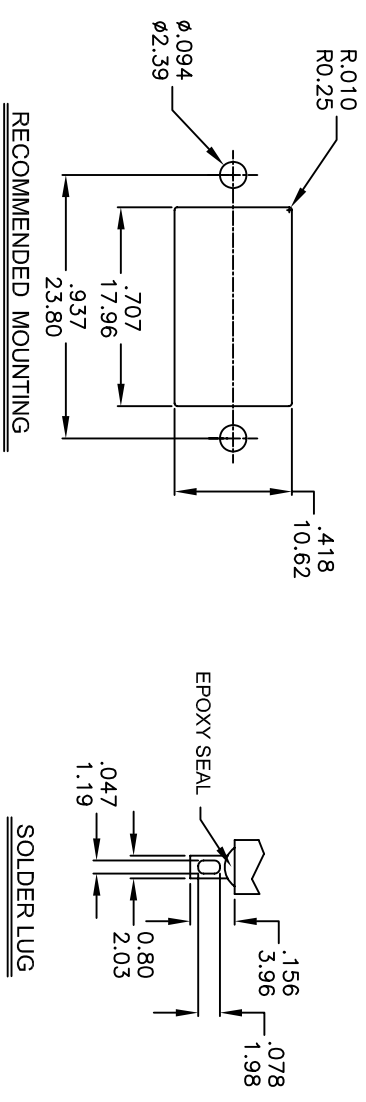
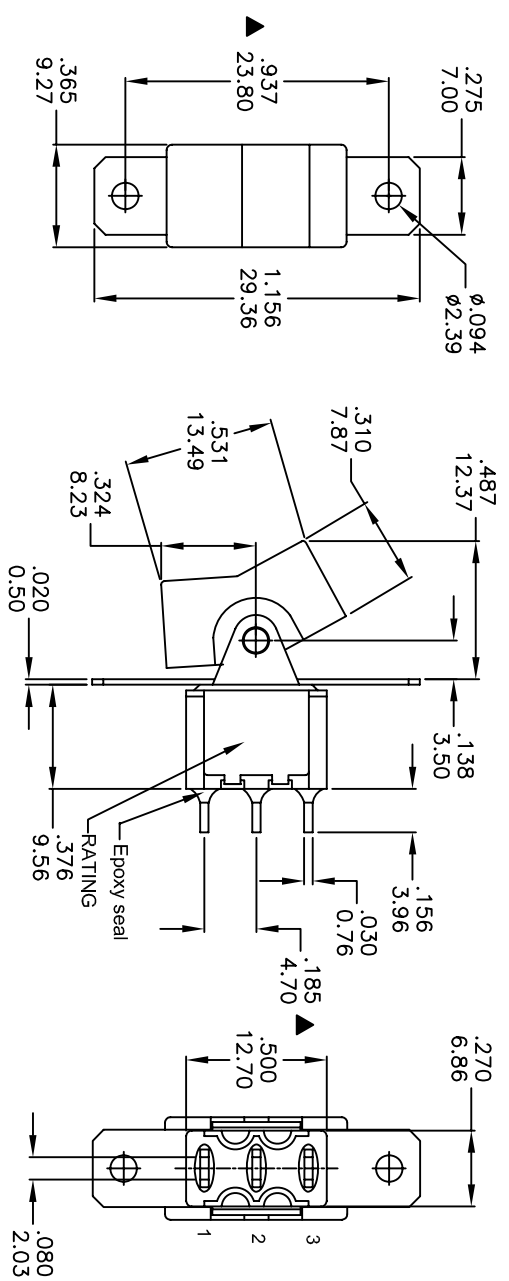


本公司智慧財產，未經同意不得複製
 DAILYWELL copyright, may not be used
 without permission from DAILYWELL



Model No.	POS. 1	POS. 2	POS. 3
3MS1	ON	NONE	ON
Term. Comm.	2-3	N/A	2-1
SCHEMATIC			

SWITCH FUNCTION

SPECIFICATIONS

MECHANICAL LIFE: 40,000 make-and-break cycles.
CONTACT RESISTANCE: 10mΩ max. initial @ 2-4VDC
 100mA for both silver and gold plated contacts.
INSULATION RESISTANCE: 1,000MΩ min.
DIELECTRIC STRENGTH: 1,000 V RMS@sea level.
OPERATING TEMPERATURE: -30°C to 85°C.

MATERIALS

CASE: Diallyl phthalate (DAP) (UL94V-0).
ACTUATOR: Nylon, black std.
BUSHING: Brass, nickel plated.
HOUSING: Stainless Steel.
SWITCH SUPPORT: Brass, Tin plated.
TERMINAL/CONTACT: Brass, Silver or gold plated.
ROHS: 2002/95/EC

符號	原尺寸	修改後尺寸	變更日期
1	(A)		
2	(B)		
3	(C)		
4	(D)		
5	(E)		

SCALE (比例): 3 : 2
TOLERANCE (公差):
0.00 mm ± 0.25mm
0.0 mm ± 0.40mm
ANGULAR : ±5°
FILE NAME : 3MSP0447

RATING :

R : 0.4 Volt-Amps(VA) max. @20V max. (AC or DC)
 Q : 2Amps @250VAC
 5Amps @120 VAC or 28 VDC

德利威電子股份有限公司
DAILYWELL ELECTRONICS CO.,LTD.

TITLE 圖名	Miniature Rocker & Paddle Switches			SIZE 圖紙	A4
DWG NO. 圖號	3MS1R102M1QES			UNIT 單位	inch mm
REV. 版本	A	DATE 日期	MAR - 23 - 2007	SHEET 張數	1 of 1
CHECKED BY 審核	RICHARD		DRAWN BY 製圖	FION	

X-ON Electronics

Largest Supplier of Electrical and Electronic Components

Click to view similar products for [Rocker Switches](#) category:

Click to view products by [Dailywell](#) manufacturer:

Other Similar products are found below :

[VKD2GHNB-00000-000](#) [VSD2GNNB-00000-000](#) [6-1571986-5](#) [6-1571986-9](#) [632422-4B-KD](#) [7036WWCDBX653+U622](#) [8055K52Z7V](#)
[8138K20E6M50](#) [FMC18A2200002](#) [84206L](#) [84312LX](#) [PREDD4-07F-BB0FW](#) [PREDD5-07F-BB0GW](#) [PRFDD1-16F-BB000](#) [PRFDD3-16F-](#)
[BB000](#) [1-1634201-0](#) [999-16702-001](#) [A101J2ZQ004](#) [A101J4ZQ004](#) [A101J51CB0004](#) [A107J51ZQ0004](#) [A201J1AQ004](#) [A201J1AV2Q004](#)
[A201J3ZB004](#) [A201J50ZQ004](#) [A203J51ZQ0004](#) [A226L11YZQ](#) [A22L11A](#) [A435S1YZQ](#) [H8500XBBBBL-A](#) [H8653VBBG2577W](#)
[HB130CHNWWNAAC](#) [1251.0303](#) [AE205J60V3B004](#) [RH110C2NBB](#) [1352.0107](#) [1363.0201](#) [AML25GBF2AA03GR](#) [1571099-3](#) [1571987-4](#)
[1571987-5](#) [1571989-7](#) [B123J77V7B2](#) [B226J50W4Q22P](#) [B433J37ZQ22M](#) [160212E](#) [1801.1164](#) [1831.1102](#) [1833.3402](#) [1837.1118](#)