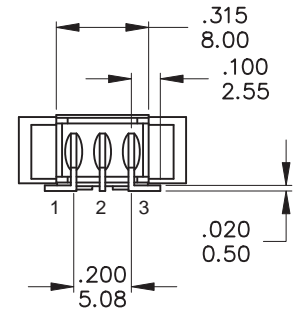
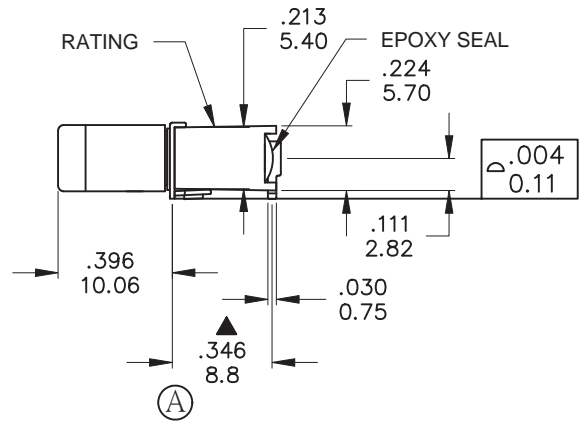
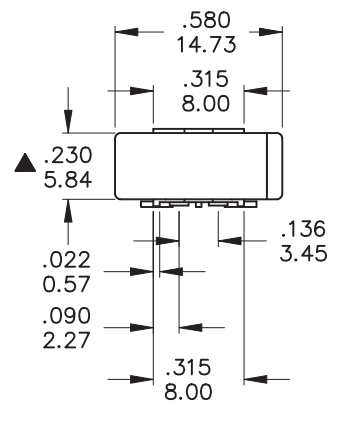
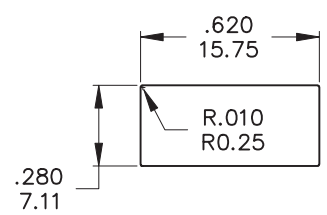


本公司智慧財產，未經同意不得複製  
DAILYWELL copyright, may not be used  
without permission from DAILYWELL

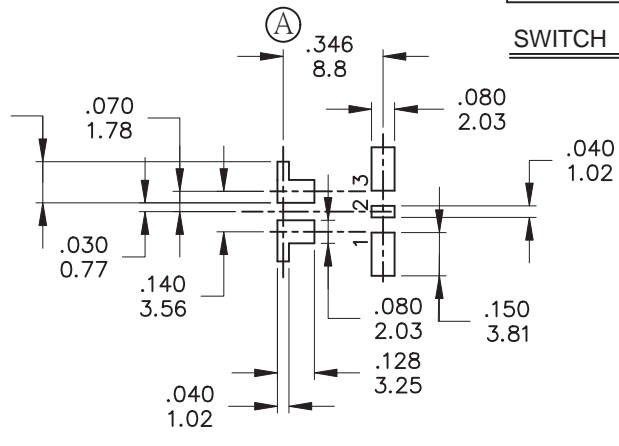
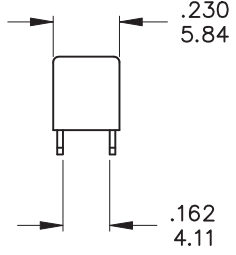
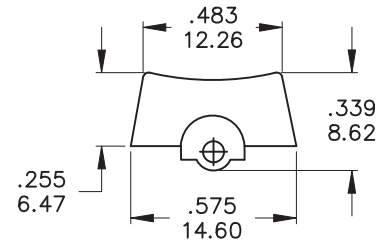


Model No.	POS.1	POS.2	POS.3
4BS1	ON	NONE	ON
Term. Comm.	2-3	N/A	2-1
SCHEMATIC			

SWITCH FUNCTION



PANEL MOUNTING



P.C. MOUNTING



**SPECIFICATIONS**

**MECHANICAL LIFE:** 50,000 make-and-break cycles.  
**CONTACT RESISTANCE:** 20 mΩ max. initial @ 2-4VDC  
 100mA for both silver and gold plated contacts.  
**INSULATION RESISTANCE:** 1,000 MΩ min.  
**DIELECTRIC STRENGTH:** 1,000 Vrms min. @ sea level.  
**OPERATING TEMPERATURE:** -30°C to 85°C.

**MATERIALS**

**CASE & BUSHING** - Glass filled nylon 6/6 , retardant , heat stadilized( UL94V-0 )  
**ACTUATOR** - Nylon , black std.Internal O-ring seal standard with all actuators.  
**SWITCH SUPPORT** - Brass, tin plated.  
**TERMINALS/CONTACT** - Copper alloy.  
**RoHS & Lead Free**

	CONTACT PLATING	TERMINAL PLATING	RATINGS
Q	Silver	Q = Gold flash over silver	3 Amps @ 120 VAC or 28VDC
C	Gold over Silver	C = Gold over silver	1 Amps @ 250 VAC
R	Gold	R = Gold	0.4 Volt-Amps(VA) max. @20V max. (AC or DC)

德利威電子股份有限公司  
DAILYWELL ELECTRONICS CO.,LTD.

	符號	原尺寸	修改後尺寸	變更日期
1	Ⓐ	依據ECN GC13081301,修訂8.8尺寸		OCT-28-2014
2	Ⓑ			
3	Ⓒ			
4	Ⓓ			
5	Ⓔ			

**SCALE (比例) : 3 : 2**  
**TOLERANCE (公差) :**  
 0.00 mm ± 0.25mm  
 0.0 mm ± 0.40mm  
 ANGULAR : ± 5°  
**FILE NAME : 4BSP0021**

TITLE 圖名	Sealed Sub - Miniature Rocker Switches			SIZE 圖紙	A4
DWG NO. 圖號	4BS1R202MTRES			UNIT 單位	inch mm
REV. 版本	B	DATE 日期	OCT - 21 - 2005	SHEET 張數	1 of 1
CHECKED BY 審核	RICHARD		DRAWN BY 製圖	BLUE	

## X-ON Electronics

Largest Supplier of Electrical and Electronic Components

*Click to view similar products for [Rocker Switches](#) category:*

*Click to view products by [Dailywell](#) manufacturer:*

Other Similar products are found below :

[VKD2GHNB-00000-000](#) [VSD2GNNB-00000-000](#) [6-1571986-5](#) [6-1571986-9](#) [632422-4B-KD](#) [7036WWCDBX653+U622](#) [8055K52Z7V](#)  
[8138K20E6M50](#) [FMC18A2200002](#) [84206L](#) [84312LX](#) [PREDD4-07F-BB0FW](#) [PREDD5-07F-BB0GW](#) [PRFDD1-16F-BB000](#) [PRFDD3-16F-](#)  
[BB000](#) [1-1634201-0](#) [999-16702-001](#) [A101J2ZQ004](#) [A101J4ZQ004](#) [A101J51CB0004](#) [A107J51ZQ0004](#) [A201J1AQ004](#) [A201J1AV2Q004](#)  
[A201J3ZB004](#) [A201J50ZQ004](#) [A203J51ZQ0004](#) [A226L11YZQ](#) [A22L11A](#) [A435S1YZQ](#) [H8500XBBBBL-A](#) [H8653VBBG2577W](#)  
[HB130CHNWWNAAC](#) [1251.0303](#) [AE205J60V3B004](#) [RH110C2NBB](#) [1352.0107](#) [1363.0201](#) [AML25GBF2AA03GR](#) [1571099-3](#) [1571987-4](#)  
[1571987-5](#) [1571989-7](#) [B123J77V7B2](#) [B226J50W4Q22P](#) [B433J37ZQ22M](#) [160212E](#) [1801.1164](#) [1831.1102](#) [1833.3402](#) [1837.1118](#)