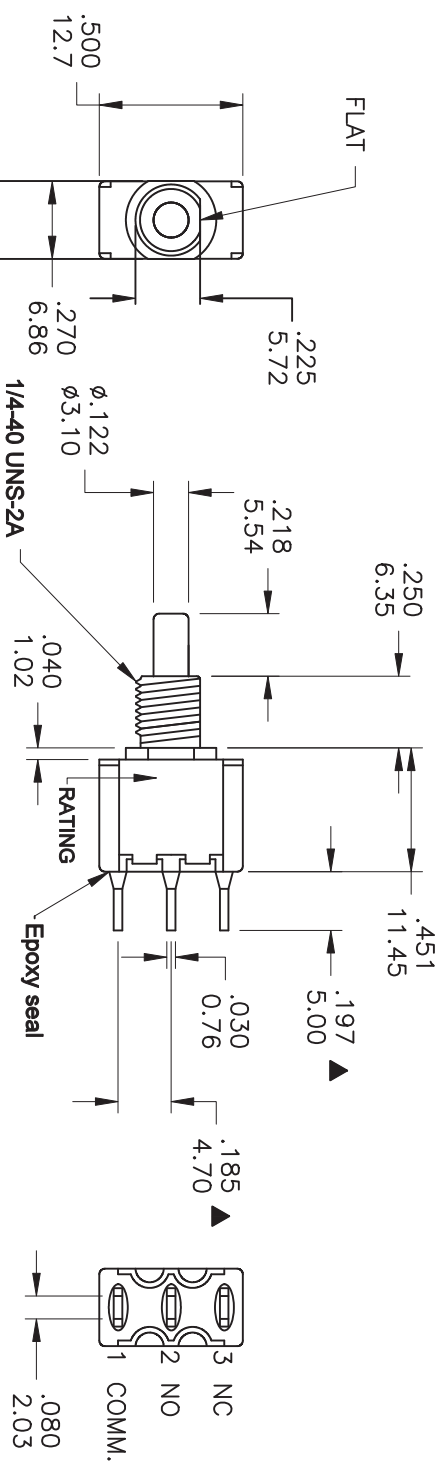
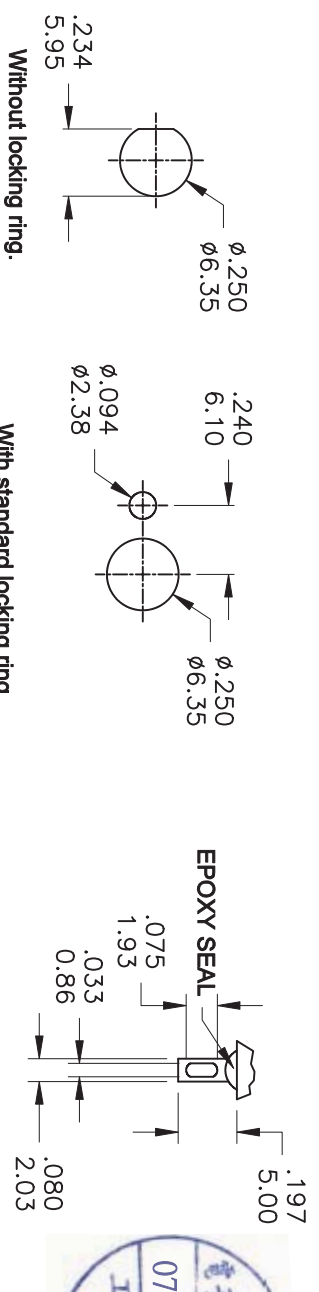


本公司智慧財產，未經同意不得複製  
DAILYWELL copyright, may not be used  
without permission from DAILYWELL



Model No.	POS. 1	POS. 2
ZMS7	ON	MOM
Term. Comm.	1-3	1-2
SCHEMATIC	1 Comm. 2 NO 3 NC	1 Comm. 2 NO 3 NC

**SWITCH FUNCTION**



PART NO.	PART NAME	QTY
1 MNU-1M01A	1/4 INCH NUTS	2
2 MNU-1M11	LOCKING RING	1
3 MNU-1M03	LOCKWASHER	1

FILE NAME: HARDWARE-0006

**PANEL MOUNTING**

**SOLDER LUG**

**SPECIFICATIONS**  
**MECHANICAL LIFE:** 50,000 make-and-break cycles.  
**CONTACT RESISTANCE:** 20 mΩ max. initial @ 2-4VDC  
 100mA for both silver and gold plated contacts.  
**INSULATION RESISTANCE:** 1,000 MΩ min.  
**DIELECTRIC STRENGTH:** 1,000 Vrms min. @ sea level.  
**OPERATING TEMPERATURE:** -30°C to 85°C.

**MATERIALS**  
**CASE:** Diallyl phthalate (DAP) (UL94v-0).  
**PLUNGER:** Glass filled Nylon or Glass fill polyester.  
**BUSHING:** Brass, nickel plated.  
**HOUSING:** Stainless Steel.  
**TERMINAL/CONTACT:** Silver or gold plated.  
 RoHS: 2002/95/EC

**德利威電子股份有限公司**  
**DAILYWELL ELECTRONICS CO.,LTD.**

符號	原尺寸	修改後尺寸	變更日期
1 (A)	MNU-1M02	MNU-1M11	JUL-04-2011
2 (B)			
3 (C)			
4 (D)			
5 (E)			

**SCALE (比例): 3:2**

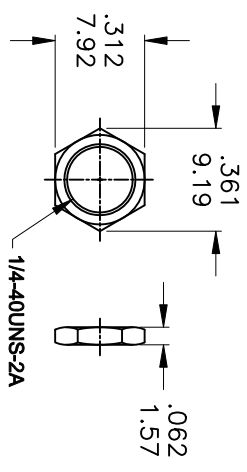
**TOLERANCE (公差):**  
 0.00 mm ± 0.25mm  
 0.0 mm ± 0.40mm  
 ANGULAR: ± 5°

FILE NAME: 7MSP0240

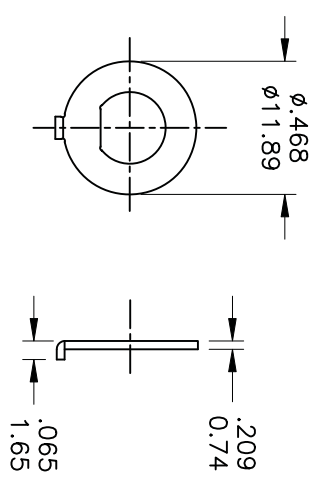
CONTACT PLATING	TERMINAL PLATING	RATINGS
Q Silver	Q = Silver	3 Amps @120 VAC or 28VDC 1 Amps @250 VAC 0.4 Volt-Amps(VA) max. @20V max. (AC or DC)
S Silver	S = Silver, pure-1in	
C Gold over Silver	C = Gold over silver	
K Gold	K = Gold over silver, pure-1in	
R Gold	R = Gold	
G Gold	G = Gold, pure-1in	

TITLE	圖名	SIZE
DWG NO.	Snap-Acting Pushbutton Switches	A4
REV.	7MSTP1B11M1QES-5	圖號
DATE	JUL - 19 - 2006	日期
CHECKED BY	RICHARD	審核
DRAWN BY	製圖	DA
SHEET	張數	1 of 1

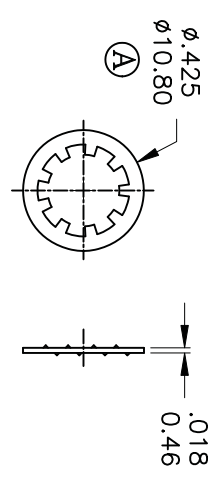
本公司智慧財產，未經同意不得複製  
 DAILYWELL copyright, may not be used  
 without permission from DAILYWELL



MNU-1M01A



MNU-1M11



MNU-1M03

PART NO.	PART NAME	QTY
1 MNU-1M01A	1/4 INCH NUTS	2
2 MNU-1M11	LOCKING RING	1
3 MNU-1M03	LOCKING WASHER	1



符號	原尺寸	修改後尺寸	變更日期
1 (A)	10.21(.402)	10.80(.425)	JUN-28-2010
2 (B)			
3 (C)			
4 (D)			
5 (E)			

SCALE (比例) : 3 : 2  
 TOLERANCE (公差) :  
 0.00 mm ± 0.25mm  
 0.0 mm ± 0.40mm  
 ANGULAR : ± 5°  
 FILE NAME : HARDWARE-0006

<b>德利威電子股份有限公司</b>		<b>DAILYWELL ELECTRONICS CO.,LTD.</b>	
TITLE 圖名	HARDWARE		
DWG NO. 圖號	1/4 IN BUSHING PART-B5銅頭專用		
REV. 版本	B	DATE 日期	FEB - 18 - 2008
CHECKED BY 審核	RICHARD		DRAWN BY 製圖
			FION
SIZE 圖紙	A4	UNIT 單位	inch mm
SHEET 張數	1 of 1		

## X-ON Electronics

Largest Supplier of Electrical and Electronic Components

*Click to view similar products for [Pushbutton Switches](#) category:*

*Click to view products by [Dailywell](#) manufacturer:*

Other Similar products are found below :

[LW1L-M1C10V-A](#) [LW2L-A1C20M-GD](#) [LW2L-M1C20M-A](#) [60324L](#) [M7E-HRN2](#) [67021K512](#) [67081K512X](#) [701PB580](#) [719-5504-000](#)  
[MDPSSGLFS](#) [810KSV30B](#) [MML21KA3ABK](#) [MML23KA3AC05K-001](#) [MML23KW3AA01W](#) [8418K2](#) [8646AB6X718UL](#) [8646ABUL](#)  
[FSDWH](#) [9001KXRK](#) [9001T8BK](#) [9533CD4+U574+U4922](#) [1203MRA](#) [A22EM01S](#) [A595](#) [1202A6](#) [12037A2ULCSA](#) [1203A2UL](#) [ABD122N-](#)  
[B](#) [1211390004](#) [ABN111-Y](#) [ABN400-R](#) [1211500044](#) [1211580012](#) [1212MRA](#) [1232A6NF](#) [RA3CSH6A](#) [1241.1183.7047](#) [1241.2511](#)  
[1241.3428](#) [1223A2ULCSA](#) [1223MRA](#) [1232AX2119](#) [1241.1183.8000](#) [1241.1183.8029](#) [1241.2506](#) [1241.2606](#) [12MA6](#) [1301940184](#)  
[RELBARF6X10\(PLASTIC\)](#) [13435AG](#)