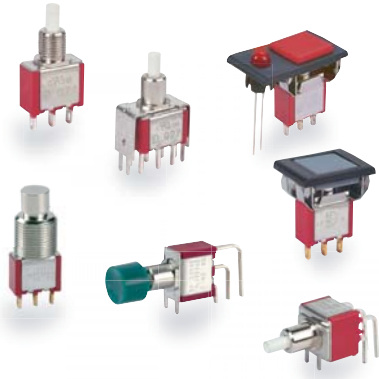


7M Series

Snap-Acting Pushbutton Switches



SPECIFICATIONS

CONTACT RATING: Dependent upon contact material
see page 107.

MECHANICAL LIFE: 50,000 make-and-break cycles.

CONTACT RESISTANCE: 20mΩ max. initial @ 2-4VDC
100mA for both silver and gold plated contacts.

INSULATION RESISTANCE: 1,000MΩ min.

DIELECTRIC STRENGTH: 1,000 Vrms min. @ sea level.

OPERATING TEMPERATURE: -40°C to 85°C.

MATERIALS

CASE: Diallyl phthalate(DAP) (UL94V-0).

PLUNGER: Glass filled Nylon or Glass filled polyester.(PBT)

BUSHING: Brass,nickel plated.

HOUSING: Stainless Steel.

CONTACT: Brass or Copper alloy, silver or gold plated.

※7MSL/7MDL with gold over silver for plating

(See Page 107)

7M Pushbutton Switches

HOW TO ORDER

MODEL NO.	ACTUATOR	BUSHING	TERMINATIONS	TERMINAL PLATING	SEAL	RoHS SOLDERING	ADDITIONAL HARDWARE	CAP	CAP COLOR
Model NO. 7MS7 ON-(ON) 7MD7 ON-(ON)	Actuator P1 5.54 high PA 5.54 high (Metal material) PB 7.00 high (Metal material,15/32 bushing) PC 8.75 high (Metal material,B60 bushing only)	Bushing B10 6.35 high,keyway (the std) B11 6.35 high,flat (the std) B20 6.35 high,keyway (non-thd) B21 6.35 high,flat (non-thd) B60 7.62 high,keyway (the) B61 7.62 high,flat (thd) B70 7.62 high,keyway (non-thd) B71 7.62 high,flat (non-thd)	Terminations M1 Solder Lug M2 PC thru-hole M5 Wire wrap M6 Right angle, PC thru-hole M6N Right angle, snap-in, PC thru-hole M7 Vertical right angle, PC thru-hole VS2 11.68 high, V-bracket V2N 11.68 high, snap-in V-bracket VS3 16.00 high, V-bracket VS4 11.68 high, V-bracket VS5 16.00 high, V-bracket	Terminal plating Q Silver R Gold C Gold over silver	Seal E EPOXY (std) N NO EPOXY	RoHS soldering S RoHS & Lead Free	Additional hardware 0 Without 5 Additional hardware	Cap (See Page 107) C1 C2 C3 C4 C6 C7 KC	Cap Color

ITEM NO	COLOR
1	White (Std)
2	Black (Std)
3	Red (Std)
4	Orange
5	Yellow
6	Green (Std)
7	Blue
8	Brown
9	Gray

* Besides standard color, other colors need to check stocks available.

MODEL NO.	FRAME	FRAME COLOR	CAP COLOR	TERMINATIONS	TERMINAL PLATING	SEAL	RoHS SOLDERING	LED COLOR
Model NO. 7MS7 ON-(ON) 7MD7 ON-(ON)	Frame AP2 Cap AP4 Cap(flat) AP5 Cap with frame for LED,snap-in AP6 Cap with frame for LED,snap-in-(flat)	Color 0 Without 1 White 2 Black (Std) 3 Red		Terminations M1 Solder Lug M2 PC thru-hole M5 Wire wrap M6 Right angle, PC thru-hole M7 Vertical right angle, PC thru-hole VS2 11.68 high, V-bracket V2N 11.68 high, snap-in V-bracket VS3 16.00 high, V-bracket VS4 11.68 high, V-bracket VS5 16.00 high, V-bracket	Terminal plating Q Silver R Gold C Gold over silver	Seal E EPOXY (std) N NO EPOXY	RoHS soldering S RoHS & Lead Free	LED Color R Red (Std) G Green Y Yellow

* Besides standard color, other colors need to check stocks available.

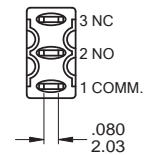
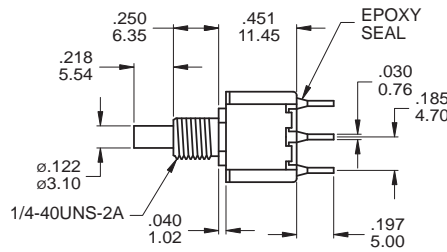
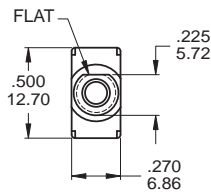
SWITCH FUNCTION

NO. POLES	UL/CSA MODEL NO.	MODEL NO.	SWITCH FUNCTION		CONNECTED TERMINALS / SCHEMATIC	
			POS.1	POS.2	POS.1	POS.2
SP	Q2717	7MS7	ON	(ON)	1-3 	1-2
DP	Q2727	7MD7	ON	(ON)	1-3,4-6 	1-2,4-5

() = MOMENTARY

POLE OPTIONS

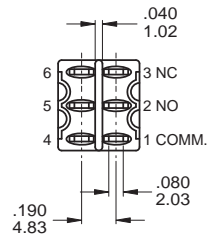
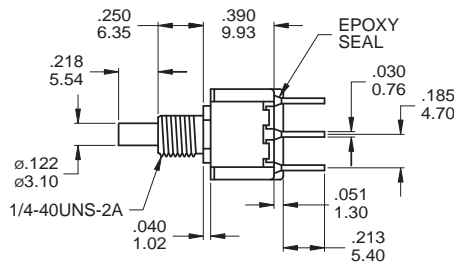
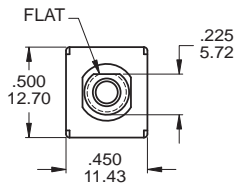
M1



SPDT

Part No. Shown : 7MS7P1B11M1QES

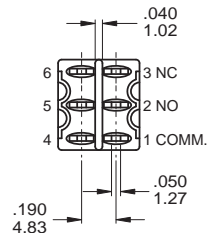
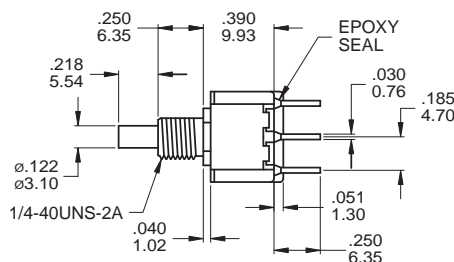
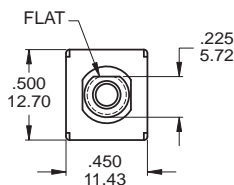
M1



DPDT

Part No. Shown : 7MD7P1B11M1QES

M2



DPDT

Part No. Shown : 7MD7P1B11M2RES



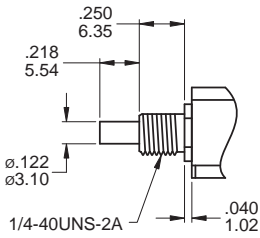
7M
Pushbutton Switches

7M Series

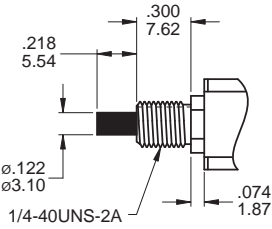
Snap-Acting Pushbutton Switches

ACTUATOR OPTIONS

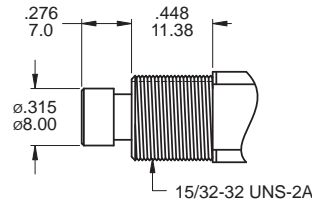
P1



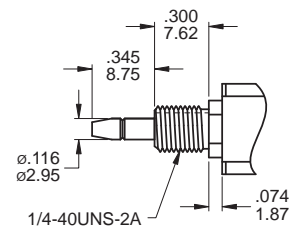
PAB60 handle, metal material



PBB13 handle, metal material



PCB60 handle, metal material



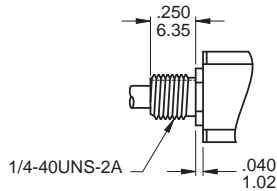
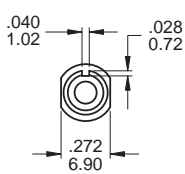
Use with B13 bushing only

Use with B60 bushing std

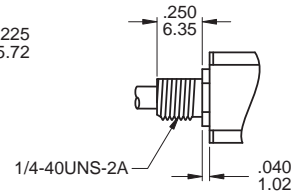
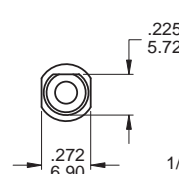
* PC Actuator only for KC Cap

BUSHING OPTIONS

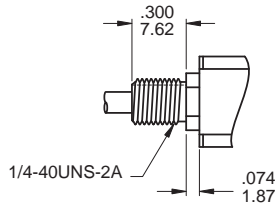
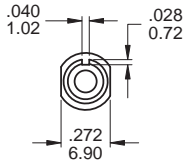
B10 THD STD
B20 NON-THD



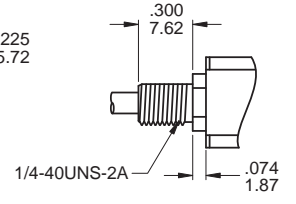
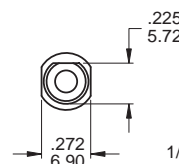
B11 THD STD
B21 NON-THD



B60 THD
B70 NON-THD

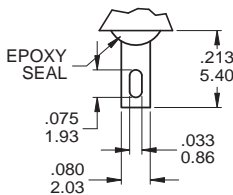


B61 THD
B71 NON-THD



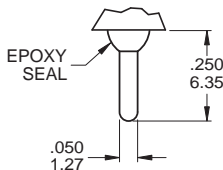
TERMINATION OPTIONS

M1 Solder lug



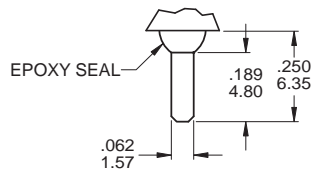
.030(0.76) THK.

M2 PC Thru-hole



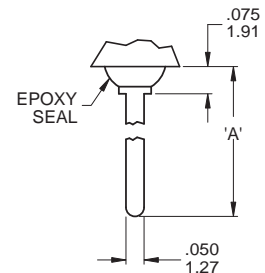
.030(0.76) THK.

M3 Quick connect



.030(0.76) THK.

M5 Wire Wrap



.030(0.76) THK.

OTHER TERMINATION OPTIONS

- M6** Right angle P.C. Mount
- M7** Right angle P.C. Mount
- VS2** Vertical bracket P.C. Mount
- VS3** Vertical bracket P.C. Mount
- VS4** Vertical bracket P.C. Mount
- VS5** Vertical bracket P.C. Mount

- M6N** Right angle P.C. Mount Snap-in bracket
- V2N** Vertical bracket P.C. Mount Snap-in bracket

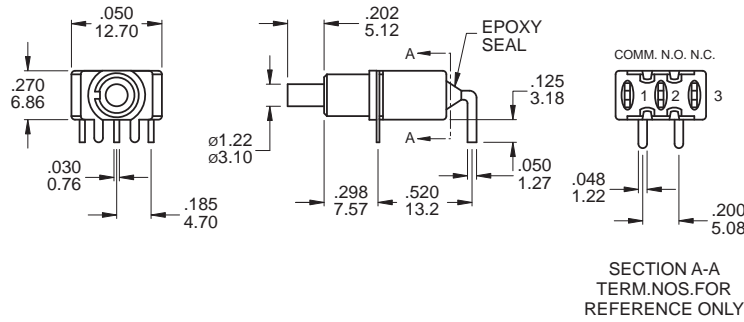
OPTION CODE	DIM. 'A'
M51	.750 (19.50)
M52	.964 (24.48)
M53	.426 (10.80)
M54	.650 (16.50)

7M Pushbutton Switches

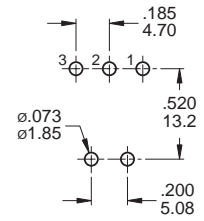
7M Series

Snap-Acting Pushbutton Switches

M6



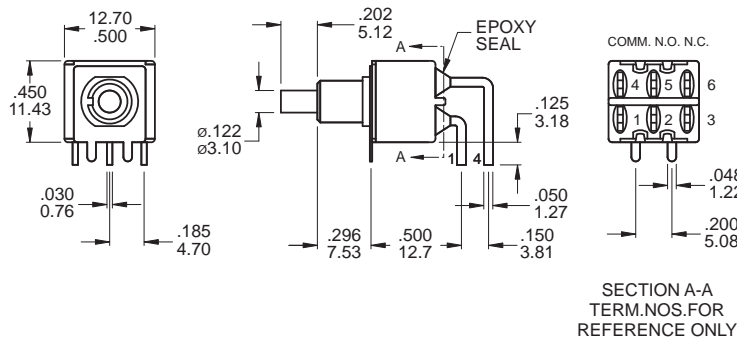
P.C. MOUNTING



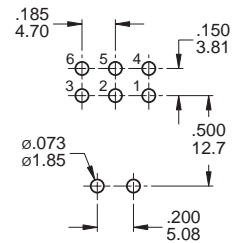
SPDT

Part No. Shown : 7MS7P1B20M6QES

M6



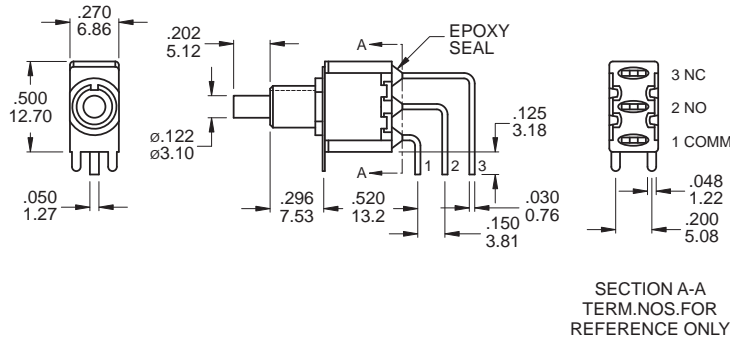
P.C. MOUNTING



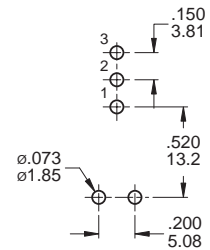
DPDT

Part No. Shown : 7MD7P1B20M6QES

M7



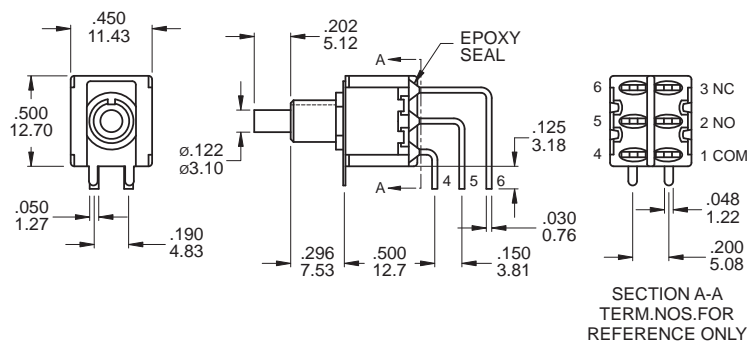
P.C. MOUNTING



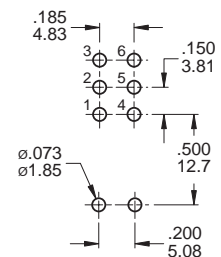
SPDT

Part No. Shown : 7MS7P1B20M7QES

M7



P.C. MOUNTING



DPDT

Part No. Shown : 7MD7P1B20M7RES

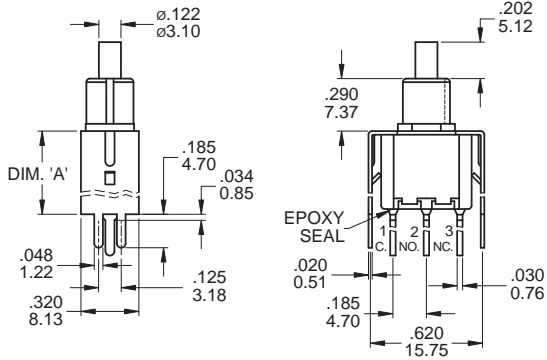


7M Pushbutton Switches

7M Series

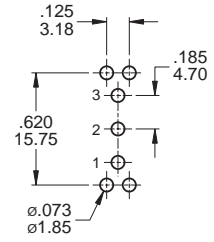
Snap-Acting Pushbutton Switches

VS2 - VS3



OPTION CODE	DIM. 'A'
VS2	.460 11.68
VS3	.630 16.00

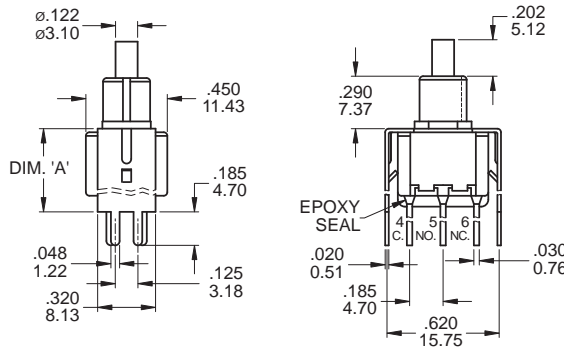
P.C. MOUNTING



SPDT

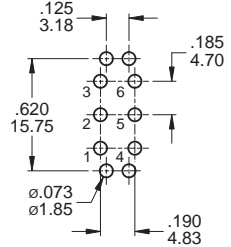
Part No. Shown : 7MS7P1B20VS2RES

VS2 - VS3



OPTION CODE	DIM. 'A'
VS2	.460 11.68
VS3	.630 16.00

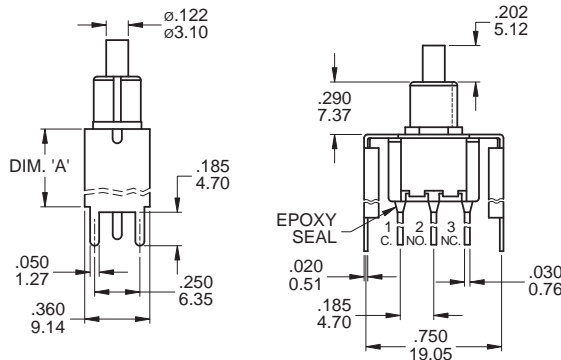
P.C. MOUNTING



DPDT

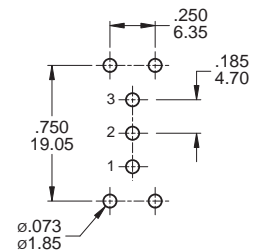
Part No. Shown : 7MD7P1B20VS2QES

VS4 - VS5



OPTION CODE	DIM. 'A'
VS4	.460 11.68
VS5	.630 16.00

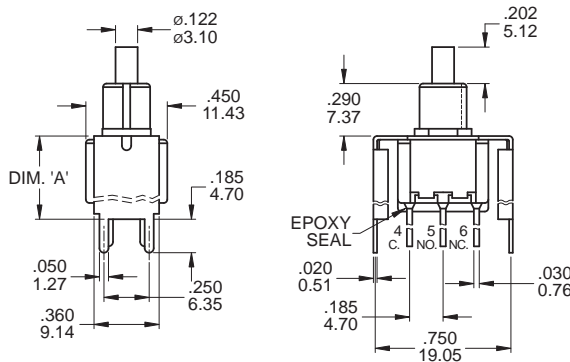
P.C. MOUNTING



SPDT

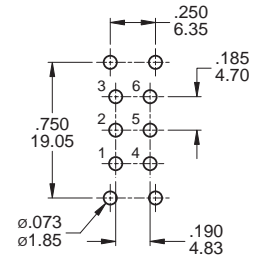
Part No. Shown : 7MS7P1B20VS4QES

VS4 - VS5



OPTION CODE	DIM. 'A'
VS4	.460 11.68
VS5	.630 16.00

P.C. MOUNTING



DPDT

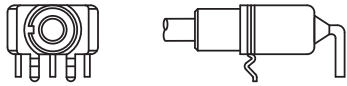
Part No. Shown : 7MD7P1B20VS4QES



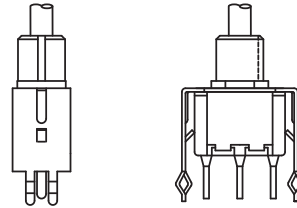
7M
Pushbutton Switches

SNAP-IN TERMINATION OPTIONS

M6N

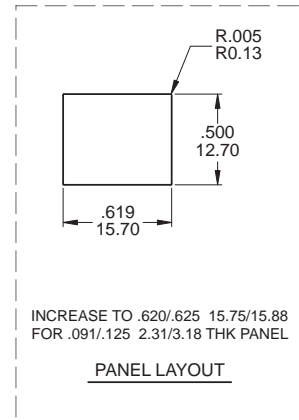
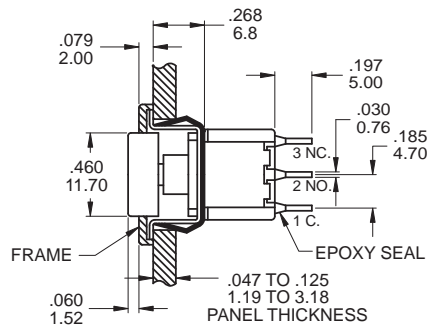
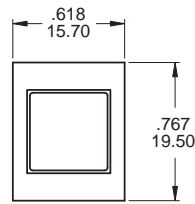


V2N



PANEL MOUNTING

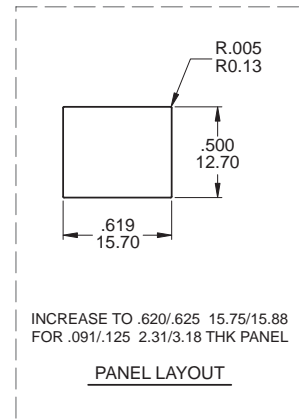
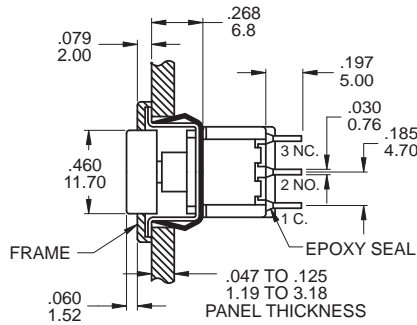
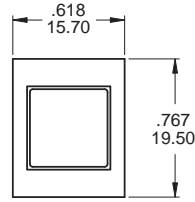
AP2 CAP & FRAME



SPDT

Part No. Shown : 7MS7AP223M1QES

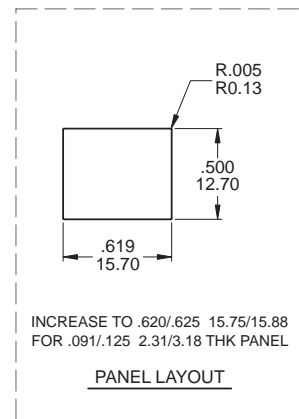
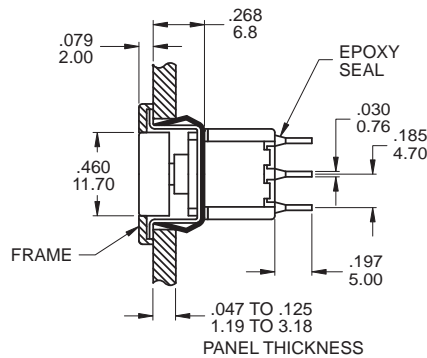
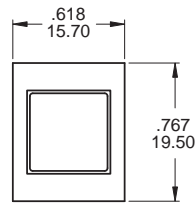
AP2 CAP & FRAME



DPDT

Part No. Shown : 7MD7AP223M1QES

AP4 CAP & FRAME



SPDT

Part No. Shown : 7MS7AP429M1RES



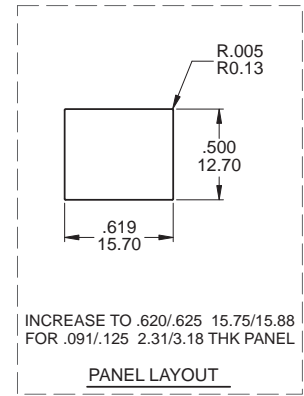
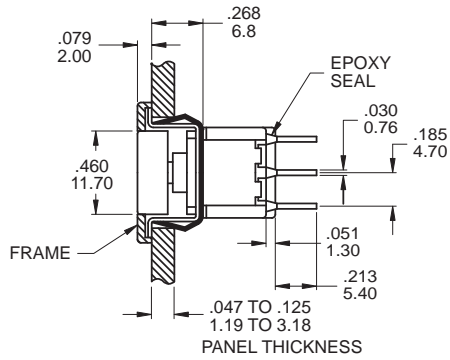
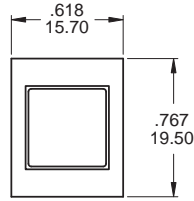
7M
Pushbutton Switches

7M Series

Snap-Acting Pushbutton Switches

PANEL MOUNTING

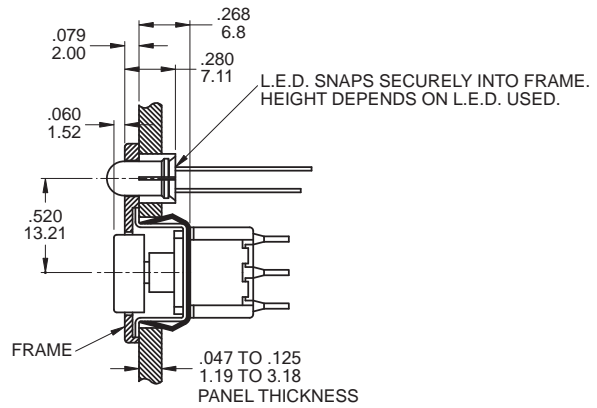
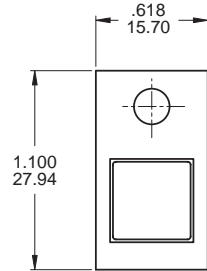
AP4 CAP & FRAME



DPDT

Part No. Shown : 7MD7AP423M1RES

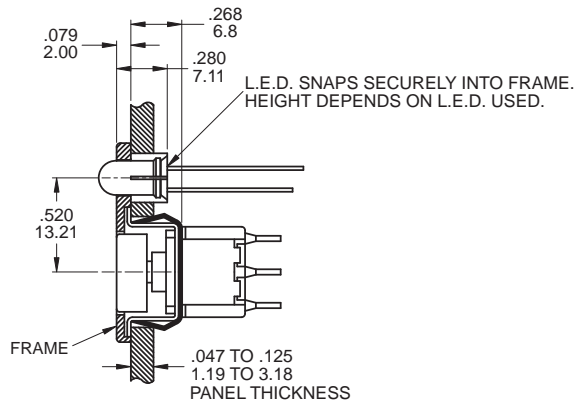
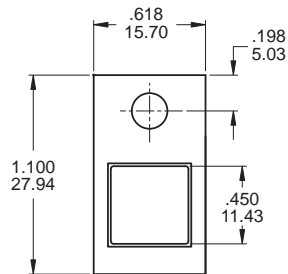
AP5 CAP & FRAME



SPDT

Part No. Shown : 7MS7AP523M1QES

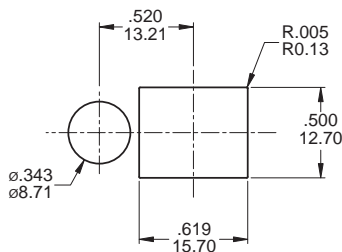
AP6 CAP & FRAME



SPDT

Part No. Shown : 7MS7AP629M1RES

FOR AP5/AP6



PANEL LAYOUT

CAP AND FRAME COLORS

OPTION CODE	COLOR
1	WHITE
2	BLACK(std)
3	RED

LED COLORS

OPTION CODE	COLOR
R	RED(std)
G	GREEN
Y	YELLOW

* Besides standard color, other colors need to check stocks available.



7M Pushbutton Switches

X-ON Electronics

Largest Supplier of Electrical and Electronic Components

Click to view similar products for [Pushbutton Switches](#) category:

Click to view products by [Dailywell](#) manufacturer:

Other Similar products are found below :

[LW1L-M1C10V-A](#) [LW2L-A1C20M-GD](#) [LW2L-M1C20M-A](#) [60324L](#) [M7E-HRN2](#) [67021K512](#) [67081K512X](#) [701PB580](#) [719-5504-000](#)
[MDPSSGLFS](#) [810KSV30B](#) [MML21KA3ABK](#) [MML23KA3AC05K-001](#) [MML23KW3AA01W](#) [8418K2](#) [8646AB6X718UL](#) [8646ABUL](#)
[FSDWH](#) [9001KXRK](#) [9001T8BK](#) [9533CD4+U574+U4922](#) [1203MRA](#) [A22EM01S](#) [A595](#) [1202A6](#) [12037A2ULCSA](#) [1203A2UL](#) [ABD122N-](#)
[B](#) [1211390004](#) [ABN111-Y](#) [ABN400-R](#) [1211500044](#) [1211580012](#) [1212MRA](#) [1232A6NF](#) [RA3CSH6A](#) [1241.1183.7047](#) [1241.2511](#)
[1241.3428](#) [1223A2ULCSA](#) [1223MRA](#) [1232AX2119](#) [1241.1183.8000](#) [1241.1183.8029](#) [1241.2506](#) [1241.2606](#) [12MA6](#) [1301940184](#)
[RELBARF6X10\(PLASTIC\)](#) [13435AG](#)