

MATERIAL:
 BEZEL: PC.
 BASE: PBT(UL 94-V0) , PC(UL 94-V2)
 ACTUATOR: PC ; POM.
 INNER ASSEMBLY: POM./PA66.
 SPRING: Stainless steel.
 SEALING: Silicone.
 O-Ring:Silicone.
 TERMINAL/CONTACT: Brass ,Silver plated.
 HEX NUT: PC.
 RoHS

KPB22-XXXX-XXX-XX-JX

Bezel Color
8 Silver

Actuator Type	
000	Transparent Actuator below all LED color available
100	White Actuator below all LED color available
200	Black Actuator, Non-LED
300	Transparent Red Actuator LED in Red only.
400	Transparent Orange Actuator LED in Yellow only.
600	Transparent Green Actuator LED in Green only.
700	Transparent Blue Actuator LED in Blue only.
800	Silver Actuator, Non-LED

Button type
F Flat

Contact Configuration	
1	1NO 1NC
2	2NO 2NC

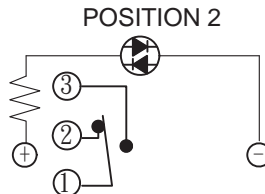
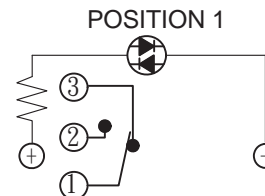
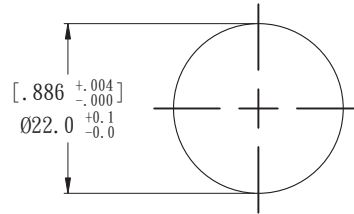
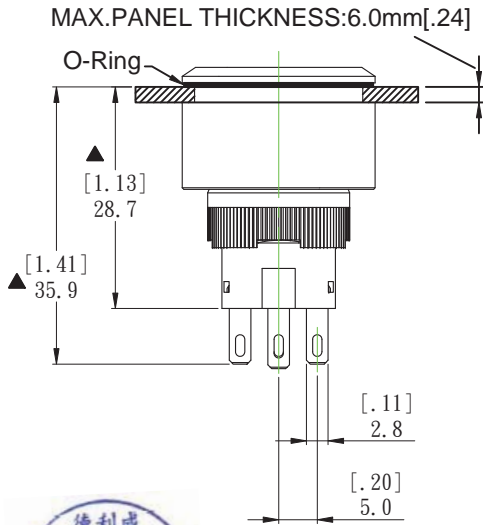
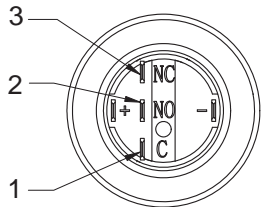
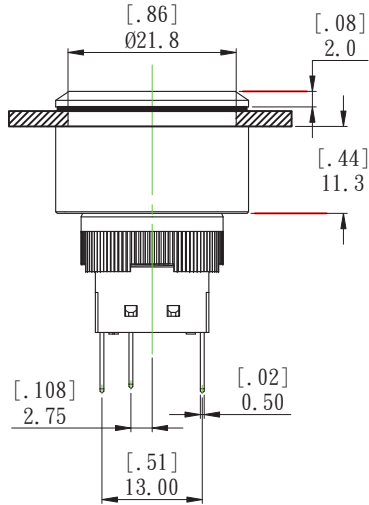
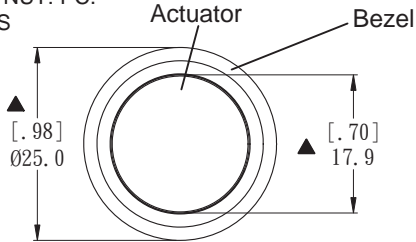
Operating type	
0	Momentary
1	LOCK

LED color	
0	Without LED
1	White
3	Red
5	Yellow
6	Green
7	Blue

LED voltage	
0	Without LED or resistor
3	3V
6	6V
12	12V
24	24V
36	36V
110	110V
220	220V

Terminal plating	
Q	Silver
R	Gold

Terminal shape	
J	Solder Terminal



SPECIFICATIONS

- CONTACT MATERIAL: SILVER.
- RATING: resistive load 3A/250VAC.
- ELECTRICAL LIFE: 50,000 MAKE-AND-BREAK CYCLES AT FULL LOAD.
- MECHANICAL LIFE: Momentary 1,000,000.
- INSULATION RESISTANCE: 1,000MΩ MIN AT 500VDC.
- DIELECTRIC STRENGTH: 2,000V RMS@sea level.
- CONTACT RESISTANCE: 50mΩ MAX. @1A 12VDC(initial value).
- OPERATING TEMPERATURE: -20°C to 55°C .
- TRAVEL: ABOUT 3.2mm.
- OPERATION PRESSURE: 2.5±1N.
- INGRESS PROTECTION: IP65.
- TORQUE: 1~3Nm.

本公司智慧財產，未經同意不得複製
 DAILYWELL copyright, may not be used
 without permission from DAILYWELL

德利威電子股份有限公司
 DAILYWELL ELECTRONICS CO.,LTD.

符號	原尺寸	修改後尺寸	變更日期
1 (A)			
2 (B)			
3 (C)			
4 (D)			
5 (E)			

SCALE(比例): 1:1
TOLERANCE(公差):
 0.00 mm ± 0.25mm
 0.0 mm ± 0.40mm
ANGULAR: ± 2°
FILE NAME : KPB22-0068

TITLE 圖名	ILLUMINATED PUSHBUTTON SWITCHES	SIZE 圖紙	A4
DWG NO. 圖號	KPB22-8000-F10-324-JQ	UNIT 單位	inch mm
REV. 版本	A	DATE 日期	SEP - 03 - 2018
CHECKED BY 審核	陳燈財	SHEET 張數	1 of 1
DRAWN BY 製圖	IRENE		

X-ON Electronics

Largest Supplier of Electrical and Electronic Components

Click to view similar products for [Pushbutton Switches](#) category:

Click to view products by [Dailywell](#) manufacturer:

Other Similar products are found below :

[LW1L-M1C10V-A](#) [LW2L-A1C20M-GD](#) [LW2L-M1C20M-A](#) [60324L](#) [M7E-HRN2](#) [67021K512](#) [67081K512X](#) [701PB580](#) [719-5504-000](#)
[MDPSSGLFS](#) [810KSV30B](#) [MML21KA3ABK](#) [MML23KA3AC05K-001](#) [MML23KW3AA01W](#) [8418K2](#) [8646AB6X718UL](#) [8646ABUL](#)
[FSDWH](#) [9001KXRK](#) [9001T8BK](#) [9533CD4+U574+U4922](#) [1203MRA](#) [A22EM01S](#) [A595](#) [1202A6](#) [12037A2ULCSA](#) [1203A2UL](#) [ABD122N-](#)
[B](#) [1211390004](#) [ABN111-Y](#) [ABN400-R](#) [1211500044](#) [1211580012](#) [1212MRA](#) [1232A6NF](#) [RA3CSH6A](#) [1241.1183.7047](#) [1241.2511](#)
[1241.3428](#) [1223A2ULCSA](#) [1223MRA](#) [1232AX2119](#) [1241.1183.8000](#) [1241.1183.8029](#) [1241.2506](#) [1241.2606](#) [12MA6](#) [1301940184](#)
[RELBARF6X10\(PLASTIC\)](#) [13435AG](#)