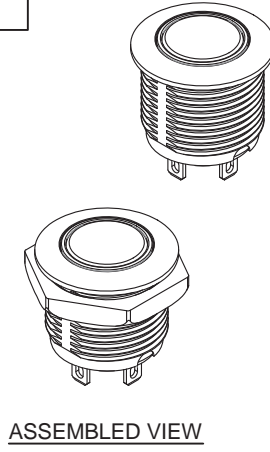
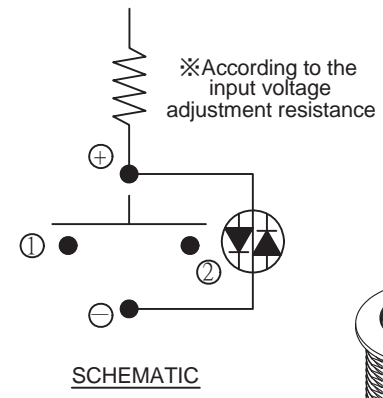
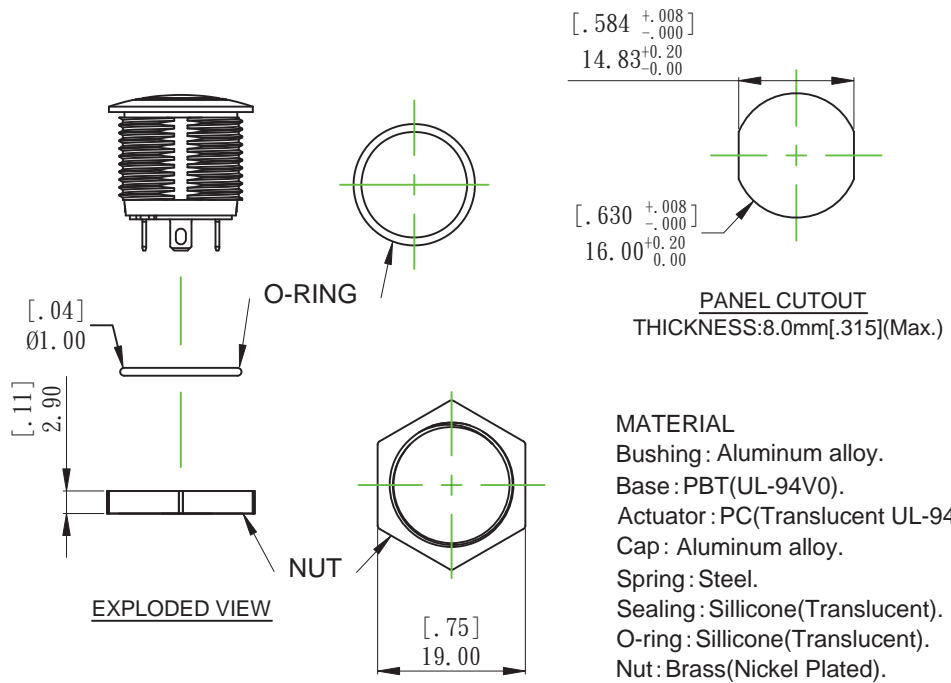


MPB16-XXRE-X-XR-XV

Body type & color		Accessories	
CA	AL alloy Natural Anodized	Resistance (About LED Voltage)	
CB	AL alloy Black Anodized	0	Without Resistance
Button type		3V	LED input 3 VDC, 47Ω * Red/Yellow led type only
R	Round	6V	LED input 6 VDC, 180Ω
Light type		12V	LED input 12 VDC, 470Ω
E	Ring	24V	LED input 24 VDC, 1000Ω
LED color		* ohms value of resistance tolerance: ±5%	
1	White	Terminal plating	
3	Red	R Gold Flash	
5	Yellow	Terminal shape	
6	Green	J Solder terminal	
7	Blue	T1 Wire length 500mm	



MATERIAL
 Bushing: Aluminum alloy.
 Base: PBT(UL-94V0).
 Actuator: PC(Translucent UL-94V2).
 Cap: Aluminum alloy.
 Spring: Steel.
 Sealing: Silicone(Translucent).
 O-ring: Silicone(Translucent).
 Nut: Brass(Nickel Plated).
 Terminal: Brass,Gold flash plated.
 Contact: Silver alloy.

Specifications

- Rating : 2A/36VDC.
- Electrical Life : 200,000 Make-And-Break Cycles
At Full Load.
- Mechanical Life : 1,000,000 Cycles.
- Insulation Resistance : 1,000MΩ Min. at 500VDC.
- Dielectric Strength : 2,000V RMS@sea level.
- Contact Resistance : 50 mΩ Max.
- Operation Temperature : -20°C ~ +70°C.
- Travel : About 2.0mm±0.20mm
- Operation Pressure : 4.5N±1.5N.
- Ingress Protection : IP67.
- Torque : 11.5 kgf. cm.
- Current limiting resistor is required to limit
LED forward current to 20mA.



德利威電子股份有限公司 DAILYWELL ELECTRONICS CO.,LTD.

符號	原尺寸	修改後尺寸	變更日期	SCALE (比例): 1:1	TITLE 圖名	SIZE 圖紙
1	(A)			TOLERANCE (公差): 0.00 mm ± 0.25mm 0.0 mm ± 0.40mm ANGULAR: ±5° FILE NAME : MPB16-0309	Metal push button switch Ø 16	A4
2	(B)				DWG NO. 圖號	UNIT 單位
3	(C)				REV. 版本	SHEET 張數
4	(D)				CHECKED BY 審核	DATE 日期
5	(E)				DRAWN BY 製圖	IRENE

X-ON Electronics

Largest Supplier of Electrical and Electronic Components

Click to view similar products for [Pushbutton Switches](#) category:

Click to view products by [Dailywell](#) manufacturer:

Other Similar products are found below :

[LW1L-M1C10V-A](#) [LW2L-A1C20M-GD](#) [LW2L-M1C20M-A](#) [60324L](#) [M7E-HRN2](#) [67021K512](#) [67081K512X](#) [701PB580](#) [719-5504-000](#)
[MDPSSGLFS](#) [810KSV30B](#) [MML21KA3ABK](#) [MML23KA3AC05K-001](#) [MML23KW3AA01W](#) [8418K2](#) [8646AB6X718UL](#) [8646ABUL](#)
[FSDWH](#) [9001KXRK](#) [9001T8BK](#) [9533CD4+U574+U4922](#) [1203MRA](#) [A22EM01S](#) [A595](#) [1202A6](#) [12037A2ULCSA](#) [1203A2UL](#) [ABD122N-](#)
[B](#) [1211390004](#) [ABN111-Y](#) [ABN400-R](#) [1211500044](#) [1211580012](#) [1212MRA](#) [1232A6NF](#) [RA3CSH6A](#) [1241.1183.7047](#) [1241.2511](#)
[1241.3428](#) [1223A2ULCSA](#) [1223MRA](#) [1232AX2119](#) [1241.1183.8000](#) [1241.1183.8029](#) [1241.2506](#) [1241.2606](#) [12MA6](#) [1301940184](#)
[RELBARF6X10\(PLASTIC\)](#) [13435AG](#)