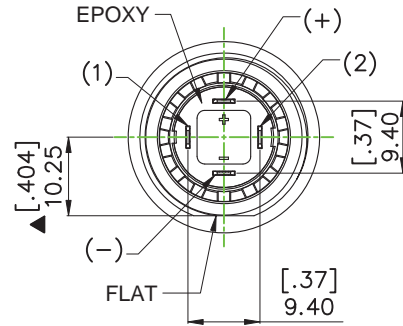
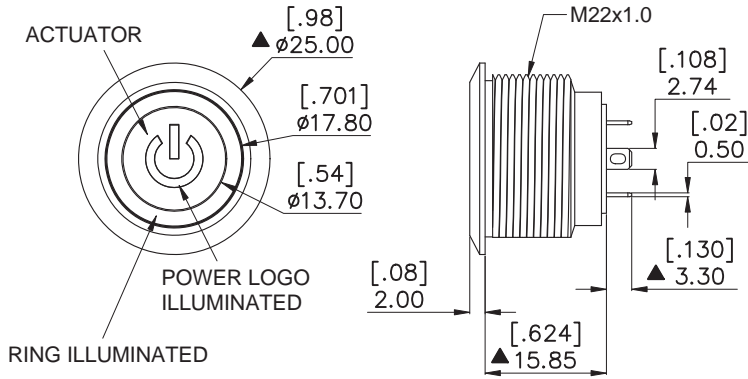
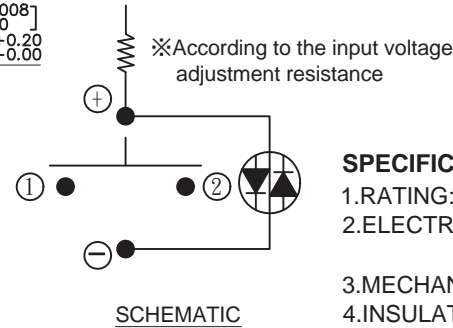
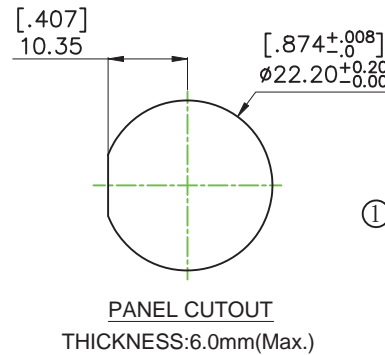
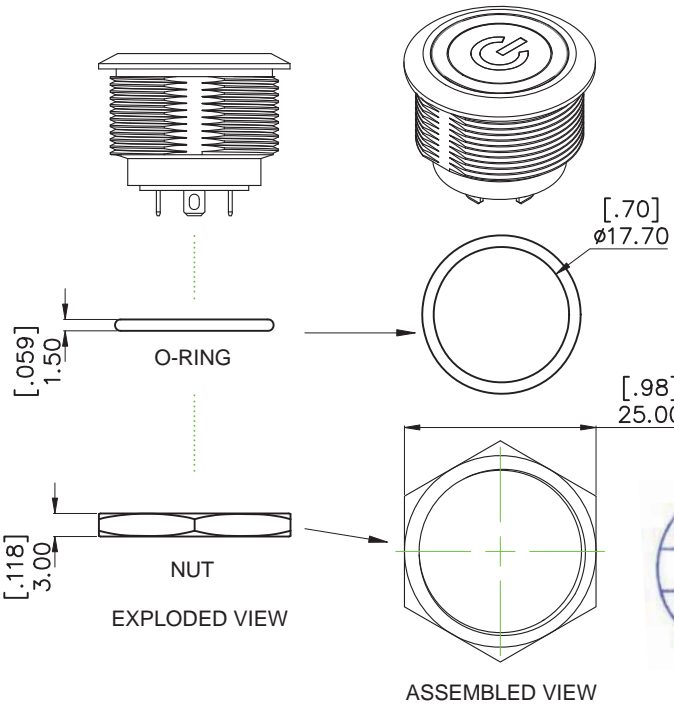


本公司智慧財產，未經同意不得複製
DAILYWELL copyright, may not be used
without permission from DAILYWELL

MPS22- A0 X F P - X-JR-XV



Body Material & color		Resistance (About LED Voltage)	
A0	Stainless / Natural	0	Without Resistance
Body type		3	LED input 3VDC, 47Ω ※Red & Yollow LED type only
1	Double flated	6	LED input 6VDC, 180Ω
2	NON-Flat	12	LED input 12 VDC, 470Ω
3	D Shape	24	LED input 24 VDC, 1000Ω
Button type		※ ohms value of resistance tolerance: ±5%	
F	Flat	LED Color	
Light type		0	Without LED
P	Power Logo & Ring	1	White
		3	Red
		5	Yellow
		6	Green
		7	Blue



SPECIFICATIONS

- RATING: 2A/36VDC.
- ELECTRICAL LIFE: 200,000 MAKE-AND-BREAK CYCLES AT FULL LOAD.
- MECHANICAL LIFE: 1,000,000. CYCLES
- INSULATION RESISTANCE: 1,000MΩ MIN AT 500VDC .
- DIELECTRIC STRENGTH: 2,000V RMS@sea level.
- CONTACT RESISTANCE: 50mΩ MAX. @1A 12VDC(initial value).
- OPERATING TEMPERATURE: -20°C to 70°C.
- TRAVEL: ABOUT 1.8mm.
- OPERATION PRESSURE: 4.5±1.5N.
- INGRESS PROTECTION: IP67,IK10(Stainless).
- TORQUE: 1~3Nm.
- CURRENT LIMITING RESISTOR IS REQUIRED TO LIMIT LED FORWARD CURRENT TO 20mA.

MATERIAL:

BUSHING: Stainless Steel.
BASE: PA66, White UL-94V0
ACTUATOR: PC, Translucent. UL-94V2
Stainless Steel.
INNER ASSEMBLY: PC, Transparent UL-94V2.
SPRING: Spring steel.
SEALING: Silicone, Translucent.
O-Ring: Silicone.
TERMINAL: Brass, Gold flash plated.
HEX NUT: Brass, Nickel plated.
CONTACT: Brass, Sliver alloy.



德利威電子股份有限公司
DAILYWELL ELECTRONICS CO.,LTD.

符號	原尺寸	修改後尺寸	變更日期	SCALE (比例) : 1 : 1	TITLE 圖名	SHORT METAL PUSHBUTTON SWITCH	SIZE 圖紙	
1	(A)			TOLERANCE (公差) : 0.00mm±0.25mm 0.0mm±0.40mm ANGULAR: ±2° FILE NAME : MPS22-0017	DWG NO. 圖號	MPS22-A03FP-3-JR-3V	A4	
2	(B)				REV. 版本	A	DATE 日期	JUL - 15 - 2019
3	(C)				APPROVE 審核	願睿豐	CHECK 確認	林昆鴻
4	(D)				DRAW 製圖	IRENE	SHEET 張數	1 of 1
5	(E)							

X-ON Electronics

Largest Supplier of Electrical and Electronic Components

Click to view similar products for [Pushbutton Switches](#) category:

Click to view products by [Dailywell](#) manufacturer:

Other Similar products are found below :

[LW1L-M1C10V-A](#) [LW2L-A1C20M-GD](#) [LW2L-M1C20M-A](#) [60324L](#) [M7E-HRN2](#) [67021K512](#) [67081K512X](#) [701PB580](#) [719-5504-000](#)
[MDPSSGLFS](#) [810KSV30B](#) [MML21KA3ABK](#) [MML23KA3AC05K-001](#) [MML23KW3AA01W](#) [8418K2](#) [8646AB6X718UL](#) [8646ABUL](#)
[FSDWH](#) [9001KXRK](#) [9001T8BK](#) [9533CD4+U574+U4922](#) [1203MRA](#) [A22EM01S](#) [A595](#) [1202A6](#) [12037A2ULCSA](#) [1203A2UL](#) [ABD122N-](#)
[B](#) [1211390004](#) [ABN111-Y](#) [ABN400-R](#) [1211500044](#) [1211580012](#) [1212MRA](#) [1232A6NF](#) [RA3CSH6A](#) [1241.1183.7047](#) [1241.2511](#)
[1241.3428](#) [1223A2ULCSA](#) [1223MRA](#) [1232AX2119](#) [1241.1183.8000](#) [1241.1183.8029](#) [1241.2506](#) [1241.2606](#) [12MA6](#) [1301940184](#)
[RELBARF6X10\(PLASTIC\)](#) [13435AG](#)