

MPS25 Series

25mm Short Metal Pushbutton Switches



SPECIFICATIONS

RATING : 2A/36VDC
ELECTRICAL LIFE: 200,000 make-and-break cycles at full load.
MECHANICAL LIFE: 1,000,000. Cycles
DIELECTRIC STRENGTH: 2,000V RMS@sea level
CONTACT RESISTANCE: 50mΩ MAX.@1A 12VDC(initial value)
OPERATING TEMPERATURE: -20°C to 70°C
TRAVEL: ABOUT 1.8±0.2mm
OPERATION PRESSURE: 4.5±1.5N
INGRESS PROTECTION: IP67,IK10(Stainless)
TORQUE: 1~3Nm
 Current limiting resistor is required to limit led forward current to 20mA

MATERIALS

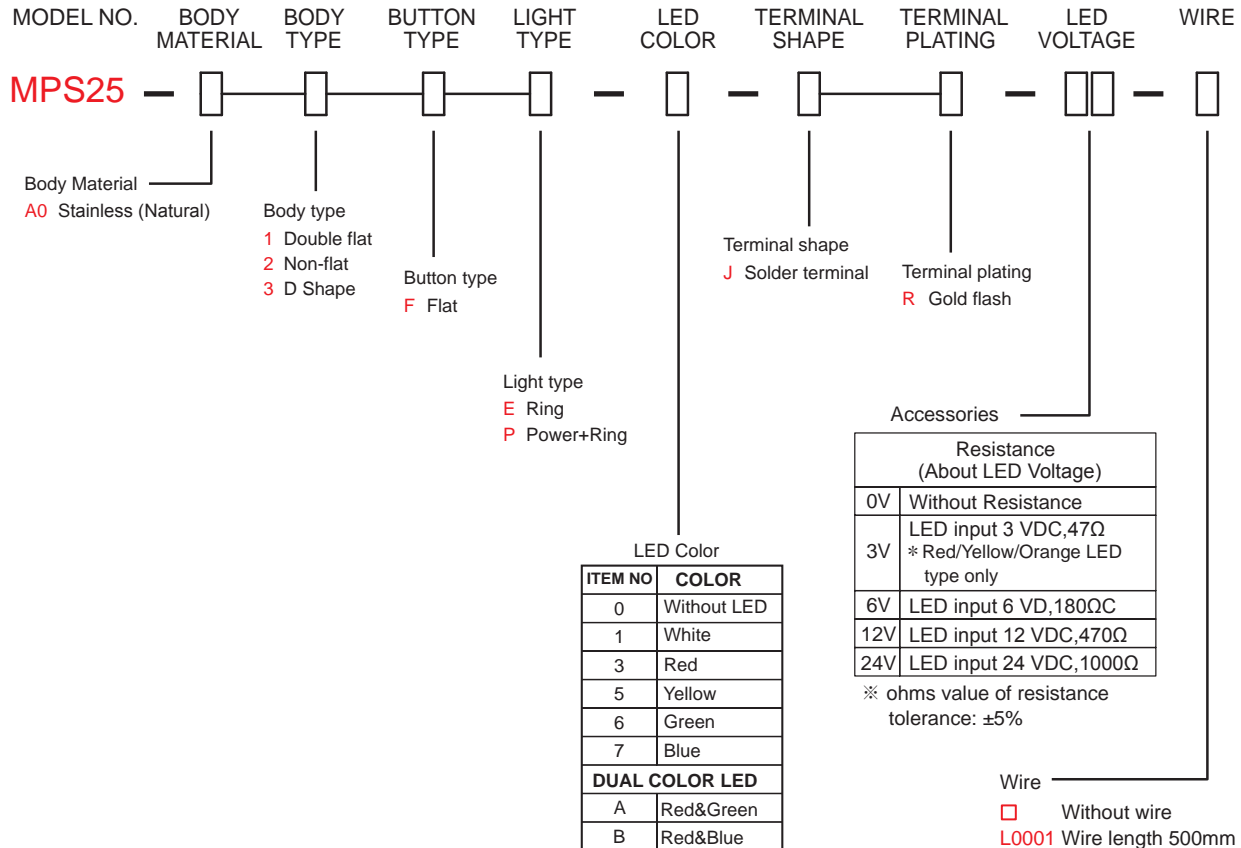
BUSHING : Stainless Steel
BASE : PA66,White UL-94V0
ACTUATOR : PC,Translucent UL-94V2
 Stainless Steel
INNER ASSEMBLY : PC,Transparent UL-94V2
SPRING : Spring steel
SEALING : Sillicone,Translucent
O-Ring : Sillicone,Black
TERMINAL : Brass ,Gold flash plated
CONTACT : Brass,Sliver alloy
HEX NUT : Brass,Nickel plated



MPS25 Pushbutton Switches

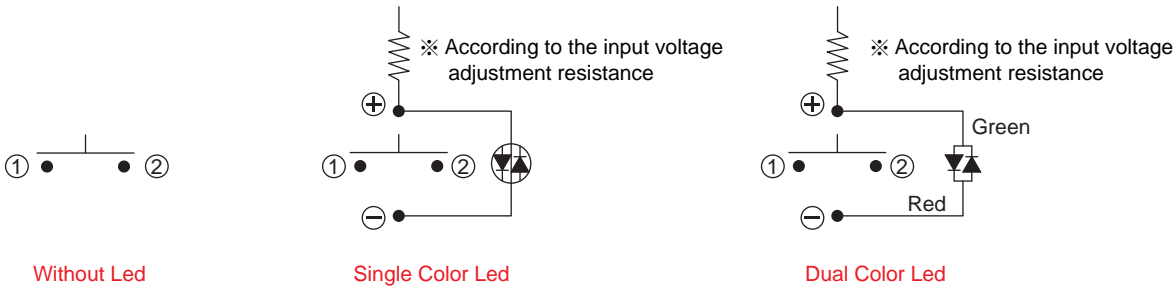
HOW TO ORDER

IP 67
 ACCORDING TO
 EN 60529:1991+A1:2001
 IEC 60529:2001



EXAMPLE:
 MPS25-A01FE-0-JR-0V (Without LED)
 MPS25-A01FE-□-JR-□V
 LED color LED voltage

CIRCUIT

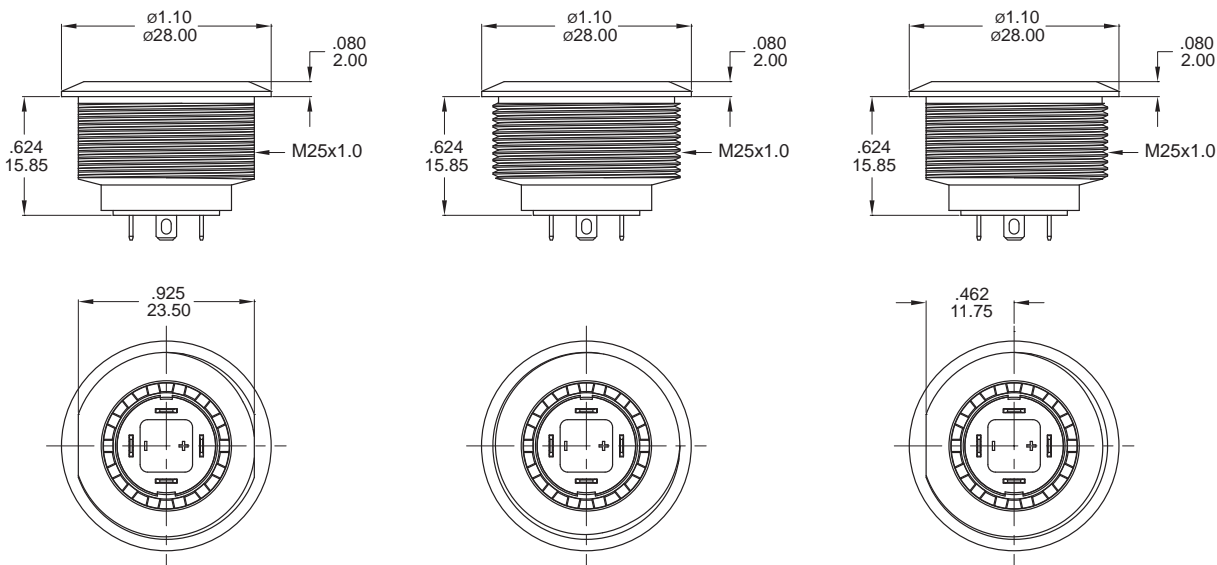


BODY TYPE

Double flat

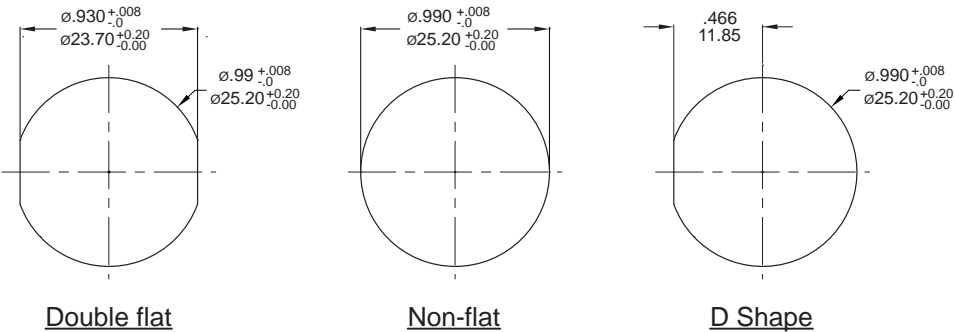
Non-flat

D Shape



PANEL CUTOUT

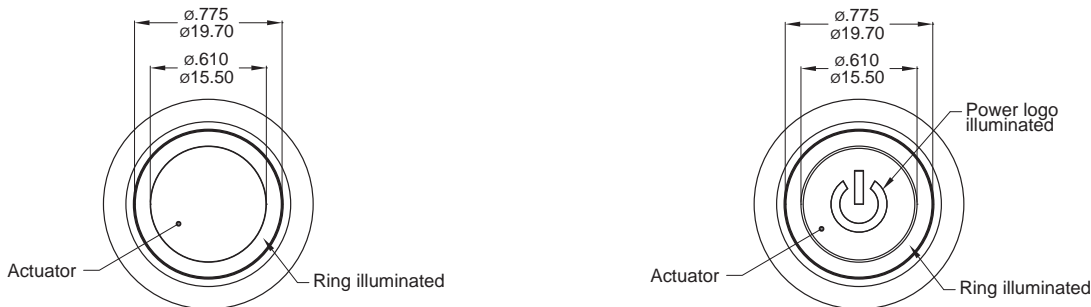
Thickness: 6.0mm(Max.)



LIGHT TYPE

E Ring

P Power+Ring



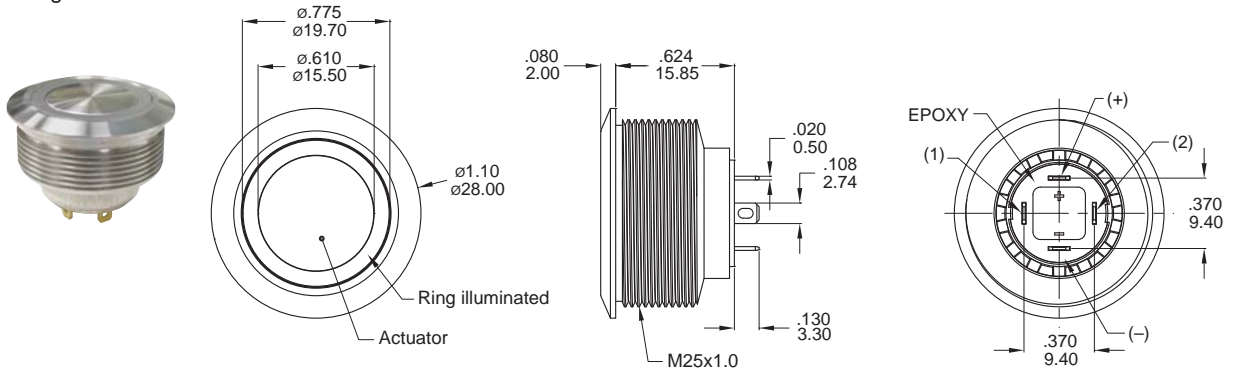
MPS25
Pushbutton Switches

MPS25 Series

25mm Short Metal Pushbutton Switches

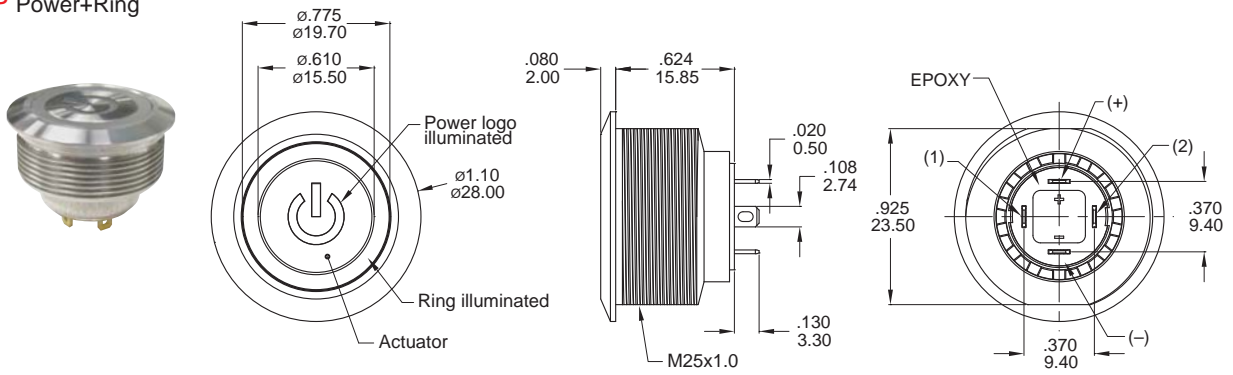
LIGHT TYPE

E Ring



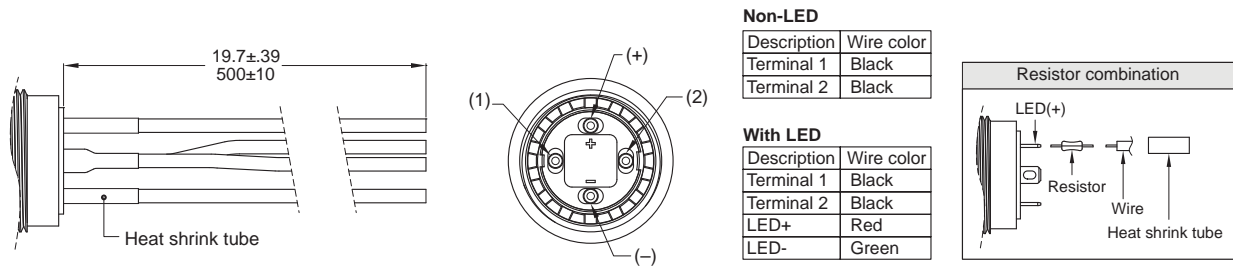
Part No. Shown : MPS25-A02FE-□-JR-□V

P Power+Ring



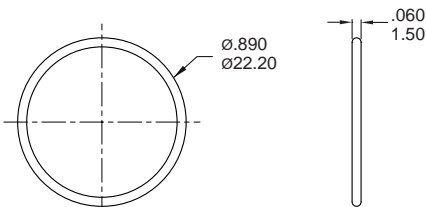
Part No. Shown : MPS22-A01FP-□-JR-□V

L0001 ※ Wire=Multi-wire lead AWG20, section 0.6mm², UL approved

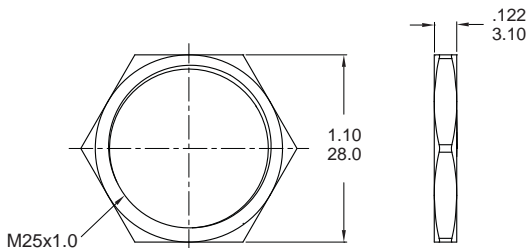


ADDITIONAL

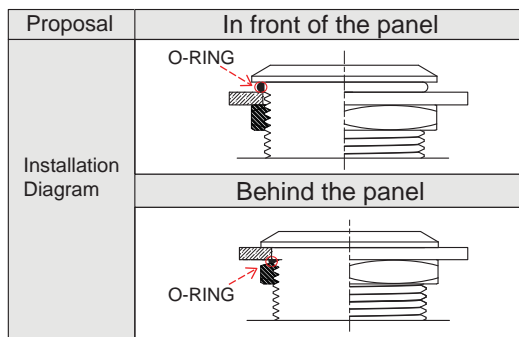
O-RING
No.:CP-MPB25



M25 NUT
No.:NU-MPB03



O-RING INSTALLATION



X-ON Electronics

Largest Supplier of Electrical and Electronic Components

Click to view similar products for [Pushbutton Switches](#) category:

Click to view products by [Dailywell](#) manufacturer:

Other Similar products are found below :

[8940K2012](#) [LW1L-M1C10V-A](#) [LW1L-M1C70-A](#) [LW2L-A1C20M-GD](#) [LW2L-M1C20M-A](#) [60324L](#) [M22-D-R-GB0/K11](#) [M7E-HRN2](#)
[67021K512](#) [67081K512X](#) [701PB580](#) [7199K101](#) [810K12910](#) [810KSV30B](#) [MML21EA2ADK](#) [MML21KA3ABK](#) [MML23KA3AC05K-001](#)
[MML23KW3AA01W](#) [8418K2](#) [8442K3](#) [8450K1](#) [860K11911T01A](#) [861901](#) [861K11911T01A07](#) [861K13810T00A14](#) [861K13911](#)
[8646AB6X718UL](#) [8646ABUL](#) [9001KXRK](#) [907AYY100](#) [PMHD155A1](#) [9533CD4+U574+U4922](#) [95-414.000](#) [99-450.837](#) [99-453.837](#)
[PV3H2B0NN-341](#) [1203MRA](#) [A22NZBGANGA](#) [A22NZBNANGA](#) [A22NZMPATRA](#) [A2PMA1X03EC56](#) [A3A-5123-02](#) [A3A-7140](#) [A3A-7310](#) [A3A-7340](#) [A3U-TMW-A2C-5M](#) [A595](#) [12037A2ULCSA](#) [ABD122N-B](#) [1211390004](#)