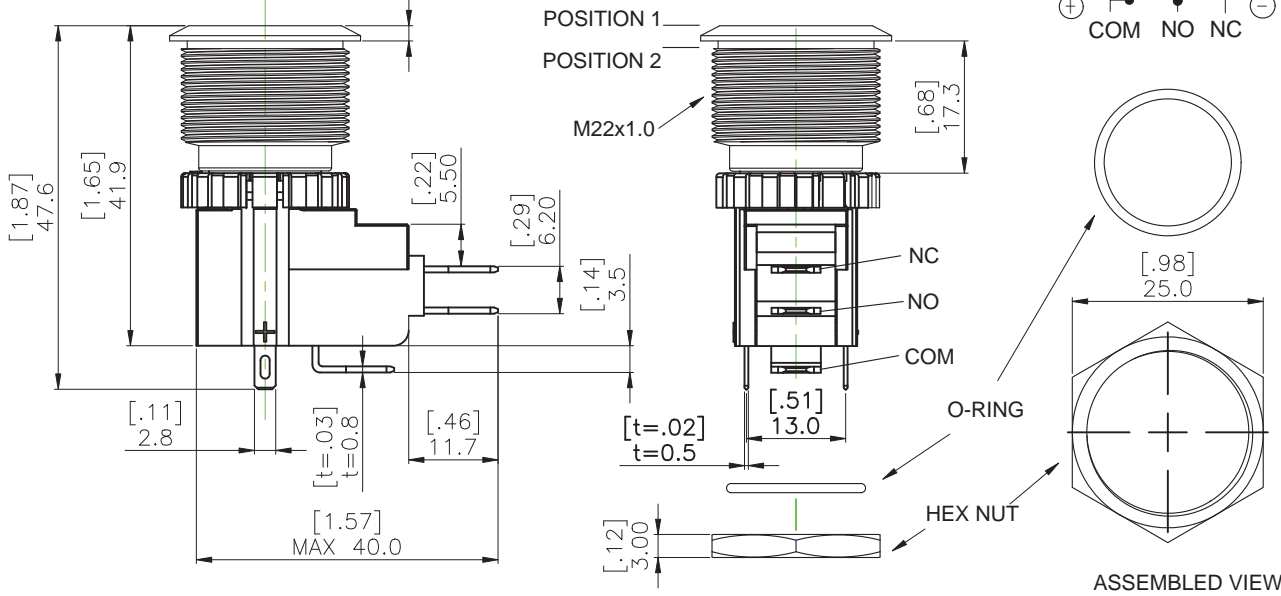
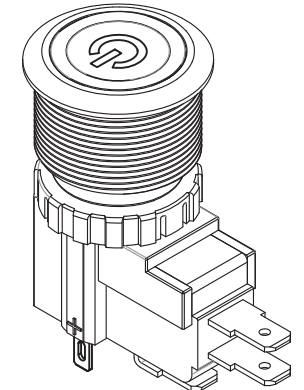
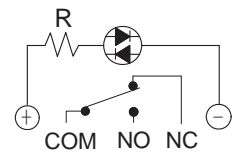
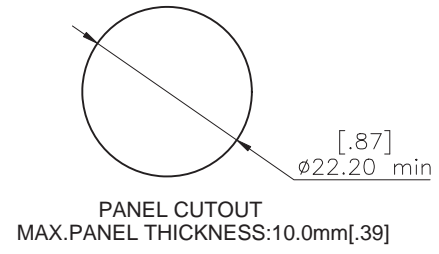
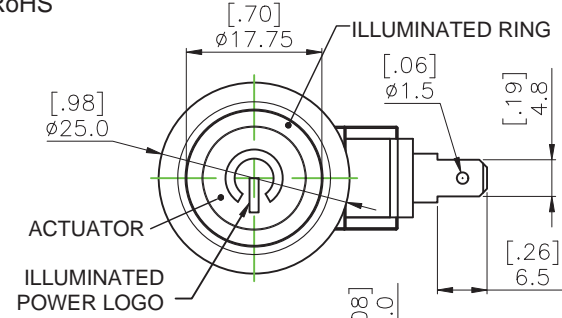


本公司智慧財產，未經同意不得複製
DAILYWELL copyright, may not be used
without permission from DAILYWELL

MW22-XXXXXXXX - XXXX

MATERIAL:
BUSHING: Stainless Steel.
BASE: PBT(UL 94-V0) ; PC(UL94-V2) ; PA6T(UL94-V0)
ACTUATOR: PC(UL 94-V2);Stainless Steel.
INNER ASSEMBLY: POM/PA66
SPRING: Steel.
SEALING: Silicone.
O-Ring: Silicone.
TERMINAL/CONTACT: Brass ,Silver plated.
HEX NUT : Nickel plated brass.
RoHS

Body type A0 Stainless	Button type F Flat	Operating type 0 Momentary 1 LOCK	Light type 0 Without LED E Ring Moveable (Flat bottom only) L Ring+Power logo	LED color 0 Without LED 1 White 3 Red 5 Yellow 6 Green 7 Blue A Red&Green B Red&Blue	LED voltage 0 Without Resistor 3 3V 6 6V 12 12V 24 24V 36 36V 110 110V 220 220V	Micro switch type Without micro switch Standard (D-Logo) A	Rating (A) 1 16	Connect forms Z SPDT T SPST-NO D SPST-NC	Terminal types #187 B Quick-connect terminal(t=0.8)
---------------------------	-----------------------	---	--	--	---	---	--------------------	---	---



SPECIFICATIONS

- CONTACT MATERIAL: SILVER
- RATING: 16A 250/125VAC.
- ELECTRICAL LIFE: 16A /125&250VAC 50,000 CYCLES
- MECHANICAL LIFE: SELF-LOCK 500,000.
- INSULATION RESISTANCE:100MΩ MIN AT 500VDC .
- DIELECTRIC STRENGTH: 1,500V RMS@sea level.
- CONTACT RESISTANCE: 50mΩ MAX.@1A 12VDC(initial value).
- OPERATING TEMPERATURE: -25°C to 85°C
- TRAVEL: ABOUT 3.2mm.
- OPERATION PRESSURE: 3.5±1.5N
- INGRESS PROTECTION: IP67,IK08(Stainless Steel).
- TORQUE: 1~3Nm.

德利威電子股份有限公司
 DAILYWELL ELECTRONICS CO.,LTD.

符號	原尺寸	修改後尺寸	變更日期
1 (A)			
2 (B)			
3 (C)			
4 (D)			
5 (E)			

SCALE (比例): 1:1
TOLERANCE (公差):
 0.00 mm ± 0.25mm
 0.0 mm ± 0.40mm
ANGULAR: ± 2°
FILE NAME : MW22-0006

TITLE 圖名	METAL PUSHBUTTON SWITCH	SIZE 圖紙	A4
DWG NO. 圖號	MW22-A0F1L124-A1ZB	UNIT 單位	inch mm
REV. 版本	A	DATE 日期	JUL - 17 - 2018
CHECKED BY 審核	陳燈財	SHEET 張數	1 of 1
DRAWN BY 製圖	IRENE		

X-ON Electronics

Largest Supplier of Electrical and Electronic Components

Click to view similar products for [Pushbutton Switches](#) category:

Click to view products by [Dailywell](#) manufacturer:

Other Similar products are found below :

[LW1L-M1C10V-A](#) [LW2L-A1C20M-GD](#) [LW2L-M1C20M-A](#) [60324L](#) [M7E-HRN2](#) [67021K512](#) [67081K512X](#) [701PB580](#) [719-5504-000](#)
[MDPSSGLFS](#) [810KSV30B](#) [MML21KA3ABK](#) [MML23KA3AC05K-001](#) [MML23KW3AA01W](#) [8418K2](#) [8646AB6X718UL](#) [8646ABUL](#)
[FSDWH](#) [9001KXRK](#) [9001T8BK](#) [9533CD4+U574+U4922](#) [1203MRA](#) [A22EM01S](#) [A595](#) [1202A6](#) [12037A2ULCSA](#) [1203A2UL](#) [ABD122N-](#)
[B](#) [1211390004](#) [ABN111-Y](#) [ABN400-R](#) [1211500044](#) [1211580012](#) [1212MRA](#) [1232A6NF](#) [RA3CSH6A](#) [1241.1183.7047](#) [1241.2511](#)
[1241.3428](#) [1223A2ULCSA](#) [1223MRA](#) [1232AX2119](#) [1241.1183.8000](#) [1241.1183.8029](#) [1241.2506](#) [1241.2606](#) [12MA6](#) [1301940184](#)
[RELBARF6X10\(PLASTIC\)](#) [13435AG](#)