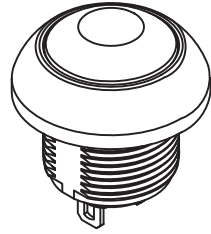
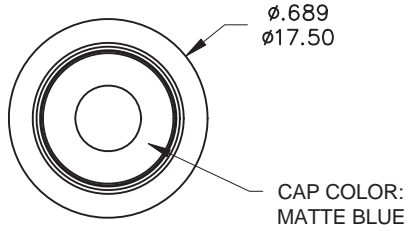


本公司智慧財產，未經同意不得複製
DAILYWELL copyright, may not be used
without permission from DAILYWELL



MATERIALS

CAP: Polyamide 6/6.
PLUNGER: PC.
RUBBER: Silicone.
BUSHING: Polyamide 6/6.
CASE: Diallyl phthalate (DAP)(UL94v-0).
TERMINAL/CONTACTS: Gold over silver plated.
RoHS & Lead Free

| | PART NO. | PART NAME | Q'TY |
|---|-----------|----------------|------|
| 1 | MNU- PA03 | M12 X 0.75 NUT | 1 |
| 2 | MNU-1M09 | LOCKING WASHER | 1 |
| 3 | FCP-A253 | O-RING | 1 |

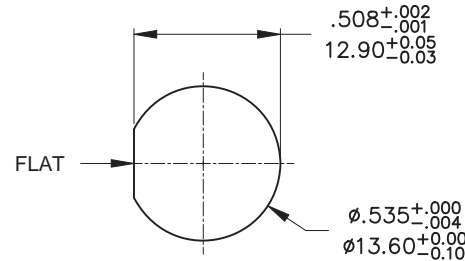
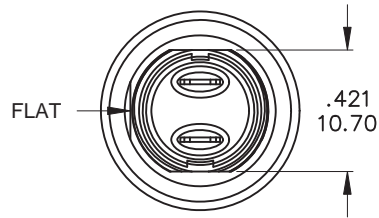
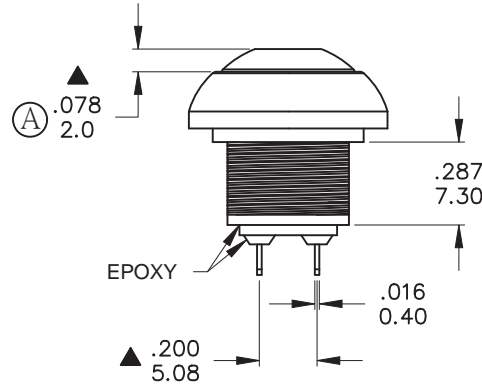
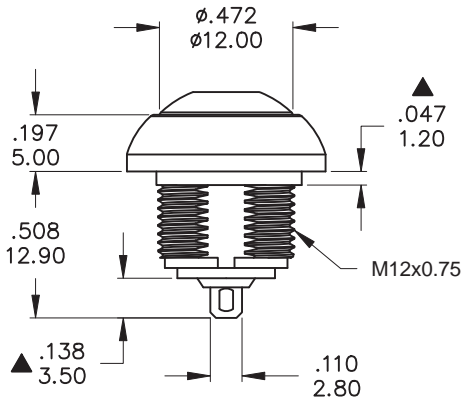
FILE NAME:HARDWARE-0085

| Model No. | POS.1 | POS.2 |
|---------------------|-------|---------|
| | | |
| PFS6 | OFF | MOM(ON) |
| CONNECTED TERMINALS | OPEN | CLOSE |
| SCHEMATIC | | |

SWITCH FUNCTION

SPECIFICATIONS

Max. current/voltage rating with resistive load:
400mA 32VAC - 200 mA 50VDC - 125 mA 125VAC.
INITIAL CONTACT RESISTANCE: 50 mΩ max.
INSULATION RESISTANCE: 1 GΩ min. at 500VDC.
DIELECTRIC STRENGTH: 1,500 VAC rms.
ELECTRICAL LIFE AT FULL LOAD: 500,000 cycles.
TOTAL TRAVEL: 1.5 mm(.059).
OPERATING FORCE: 3N~6N.
CONTACT BOUNCE: 10 ms.
MECHANICAL LIFE: 1,000,000 cycles.
TORQUE: 0.5 Nm max. applied to nut.
SOLDERING: 350°C max. for 5 seconds.
OPERATING TEMPERATURE: -30°C to 85°C.
DEGREE OF PROTECITON: IP68



PANEL CUT-OUT

THICKNESS: 1.5 mm ~ 4.0 mm

德利威電子股份有限公司
DAILYWELL ELECTRONICS CO.,LTD.

| | 符號 | 原尺寸 | 修改後尺寸 | 變更日期 |
|---|----|-----------|-----------|-------------|
| 1 | Ⓐ | 0.78 inch | .078 inch | FEB-23-2018 |
| 2 | Ⓑ | | | |
| 3 | Ⓒ | | | |
| 4 | Ⓓ | | | |
| 5 | Ⓔ | | | |

SCALE (比例) : 3 : 2
TOLERANCE (公差) :
0.00 mm ± 0.25mm
0.0 mm ± 0.40mm
ANGULAR : ± 5°
FILE NAME : PFSP0085

| TITLE 圖名 | Sub - Miniature Pushbutton Switches <th>SIZE 圖紙</th> <td>A4</td> | | | SIZE 圖紙 | A4 |
|---------------|--|---------|-----------------|----------|---------|
| DWG NO. 圖號 | PFS6B207MM1CAS05L00 | | | UNIT 單位 | inch mm |
| REV. 版本 | B | DATE 日期 | FEB - 05 - 2018 | SHEET 張數 | 1 of 1 |
| CHECKED BY 審核 | | | DRAWN BY 製圖 | IRENE | |

X-ON Electronics

Largest Supplier of Electrical and Electronic Components

Click to view similar products for [Pushbutton Switches](#) category:

Click to view products by [Dailywell](#) manufacturer:

Other Similar products are found below :

[LW1L-M1C10V-A](#) [LW2L-A1C20M-GD](#) [LW2L-M1C20M-A](#) [60324L](#) [M7E-HRN2](#) [67021K512](#) [67081K512X](#) [701PB580](#) [719-5504-000](#)
[MDPSSGLFS](#) [810KSV30B](#) [MML21KA3ABK](#) [MML23KA3AC05K-001](#) [MML23KW3AA01W](#) [8418K2](#) [8646AB6X718UL](#) [8646ABUL](#)
[FSDWH](#) [9001KXRK](#) [9001T8BK](#) [9533CD4+U574+U4922](#) [1203MRA](#) [A22EM01S](#) [A595](#) [1202A6](#) [12037A2ULCSA](#) [1203A2UL](#) [ABD122N-](#)
[B](#) [1211390004](#) [ABN111-Y](#) [ABN400-R](#) [1211500044](#) [1211580012](#) [1212MRA](#) [1232A6NF](#) [RA3CSH6A](#) [1241.1183.7047](#) [1241.2511](#)
[1241.3428](#) [1223A2ULCSA](#) [1223MRA](#) [1232AX2119](#) [1241.1183.8000](#) [1241.1183.8029](#) [1241.2506](#) [1241.2606](#) [12MA6](#) [1301940184](#)
[RELBARF6X10\(PLASTIC\)](#) [13435AG](#)